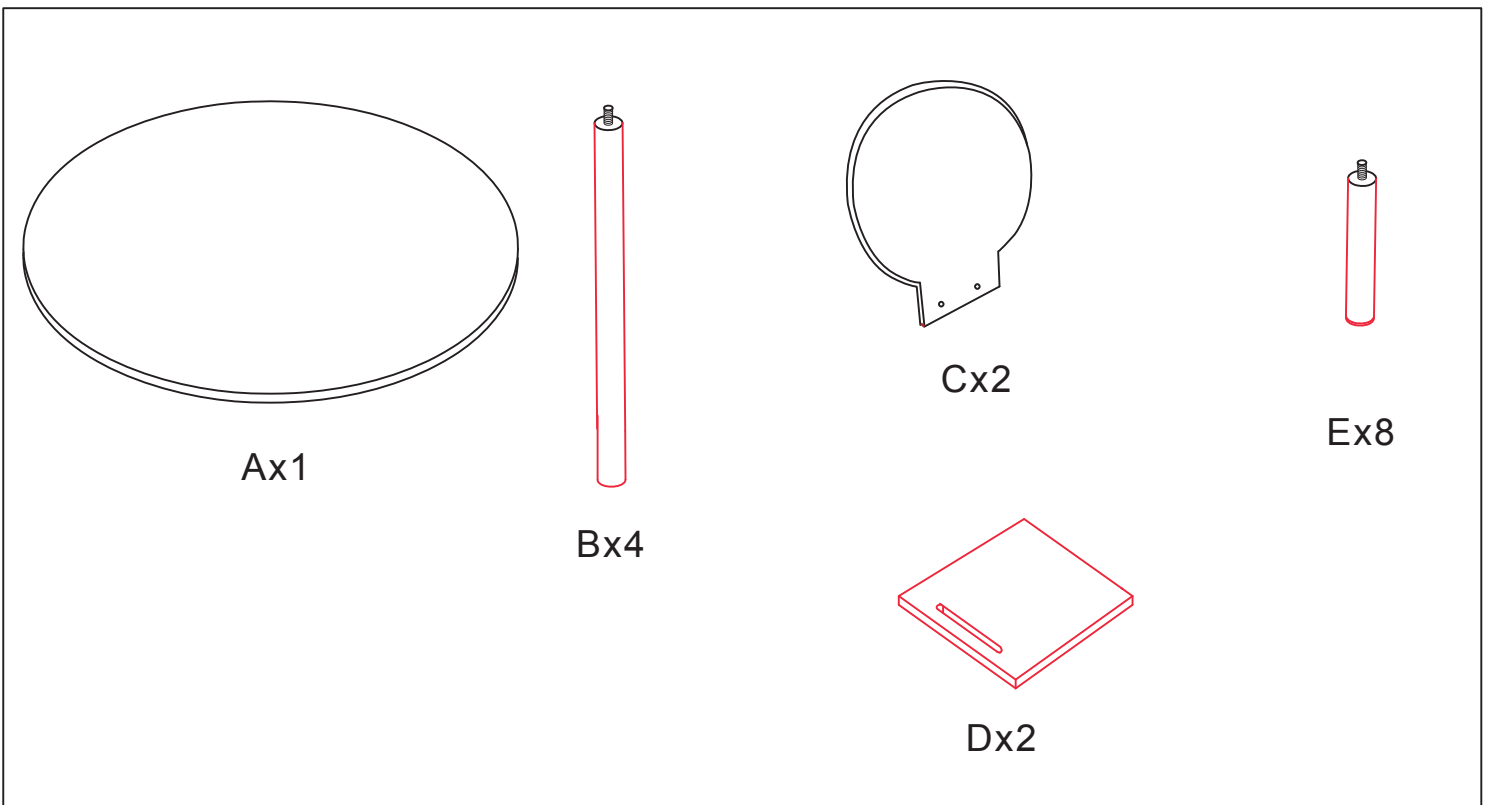
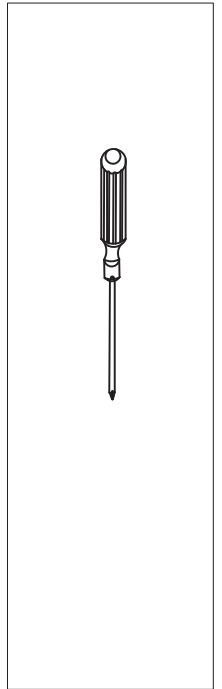
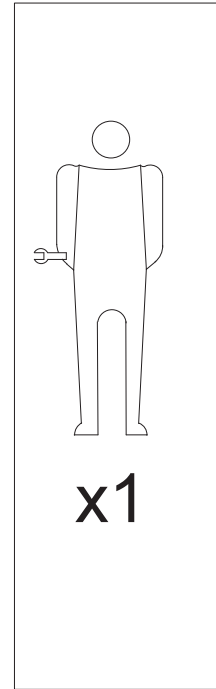
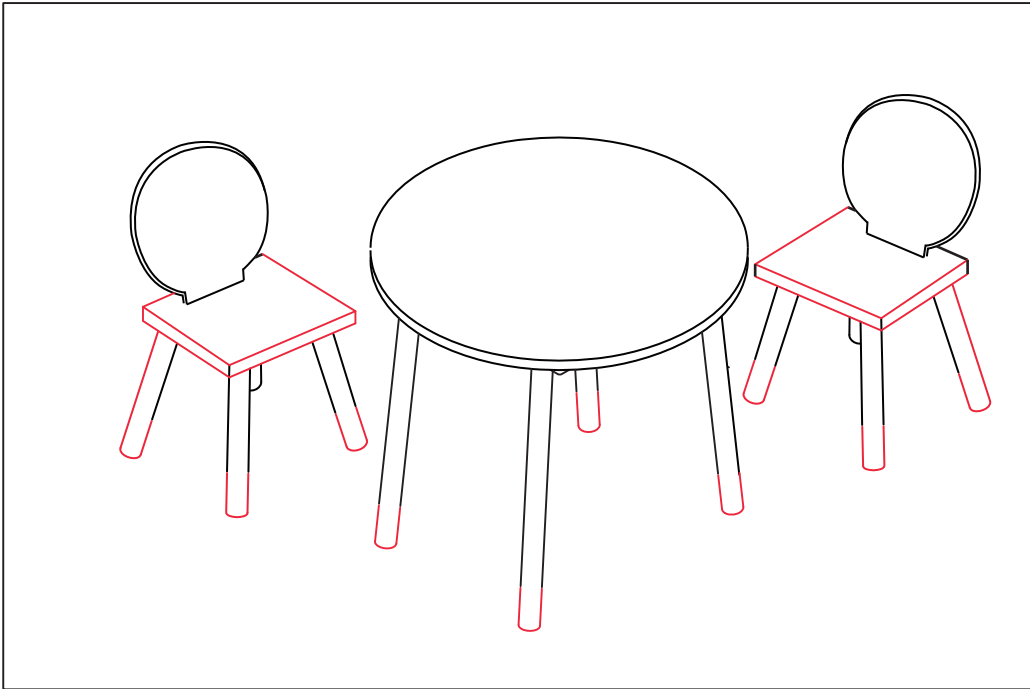




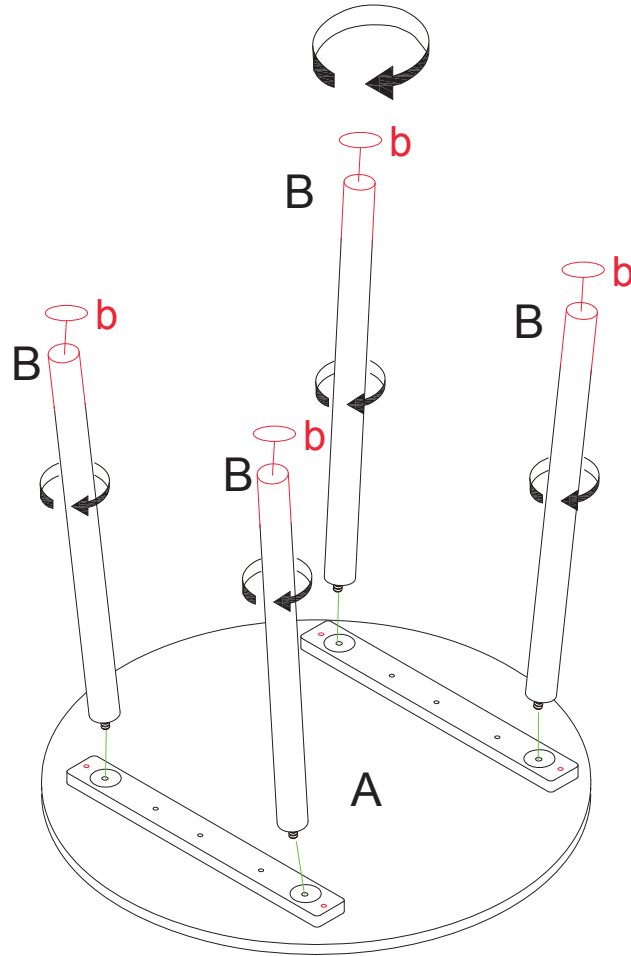
# INSTRUCTION SHEET

22240017-01



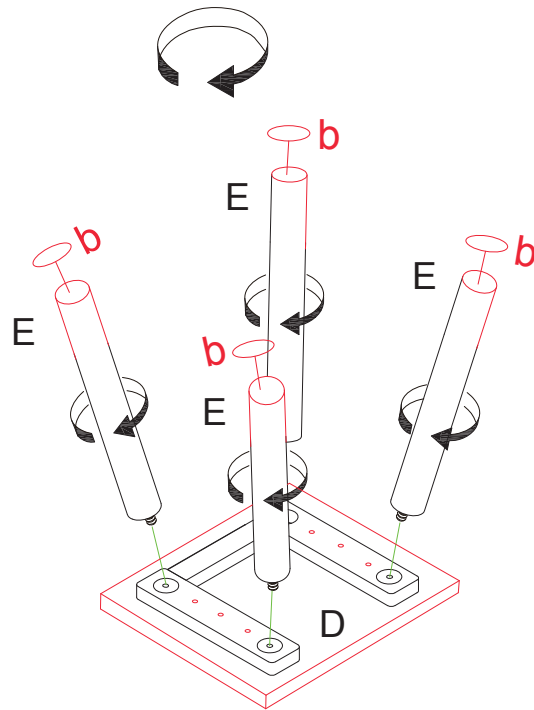
 ax4	 bx12						

# Step 1



  
bx4

# Step 2

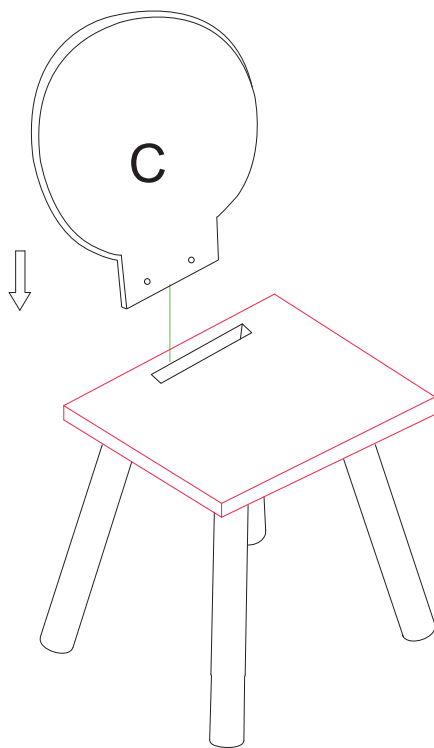


X2

  
bx8

# Step 3

X2



# Step 4

X2

