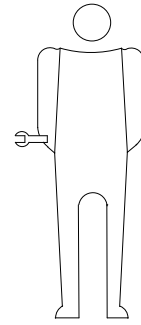
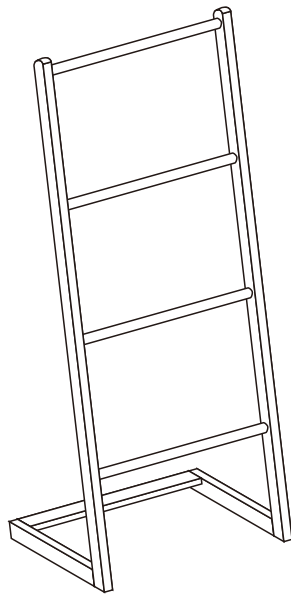
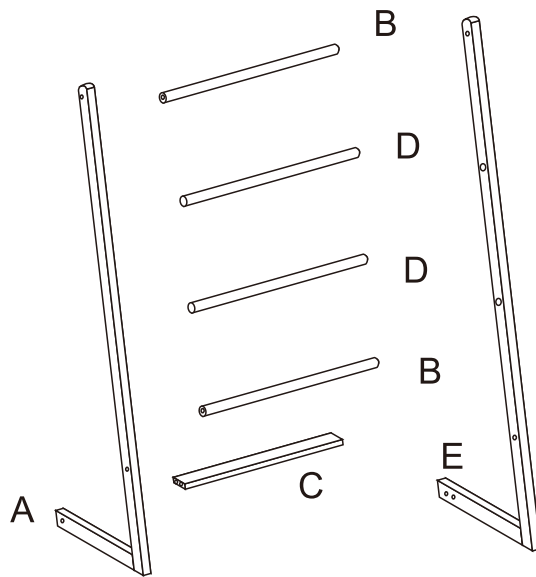





# INSTRUCTION SHEET

22240012-05

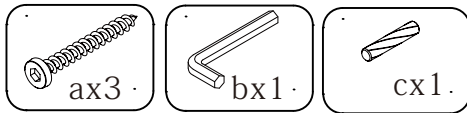
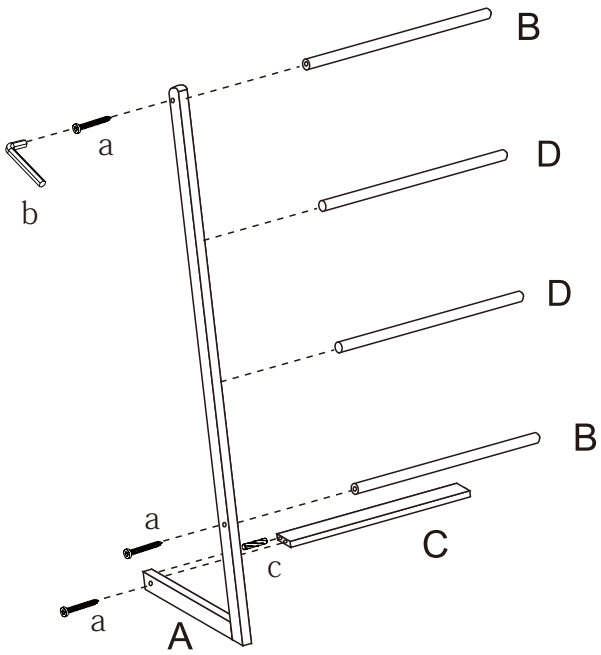


x1

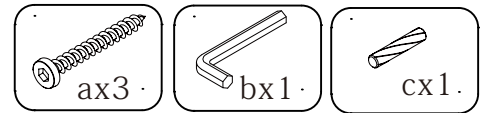
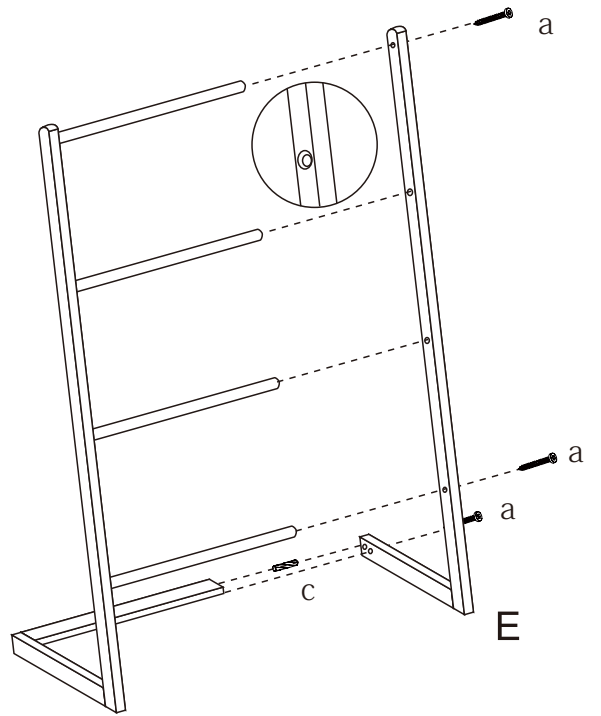


|   |   |   |  |  |  |  |  |
|---|---|---|--|--|--|--|--|
|  ax6 |  bx1 |  cx2 |  |  |  |  |  |
|   |   |   |  |  |  |  |  |
|   |   |   |  |  |  |  |  |

# Step 1



# Step 2



# Step 3

