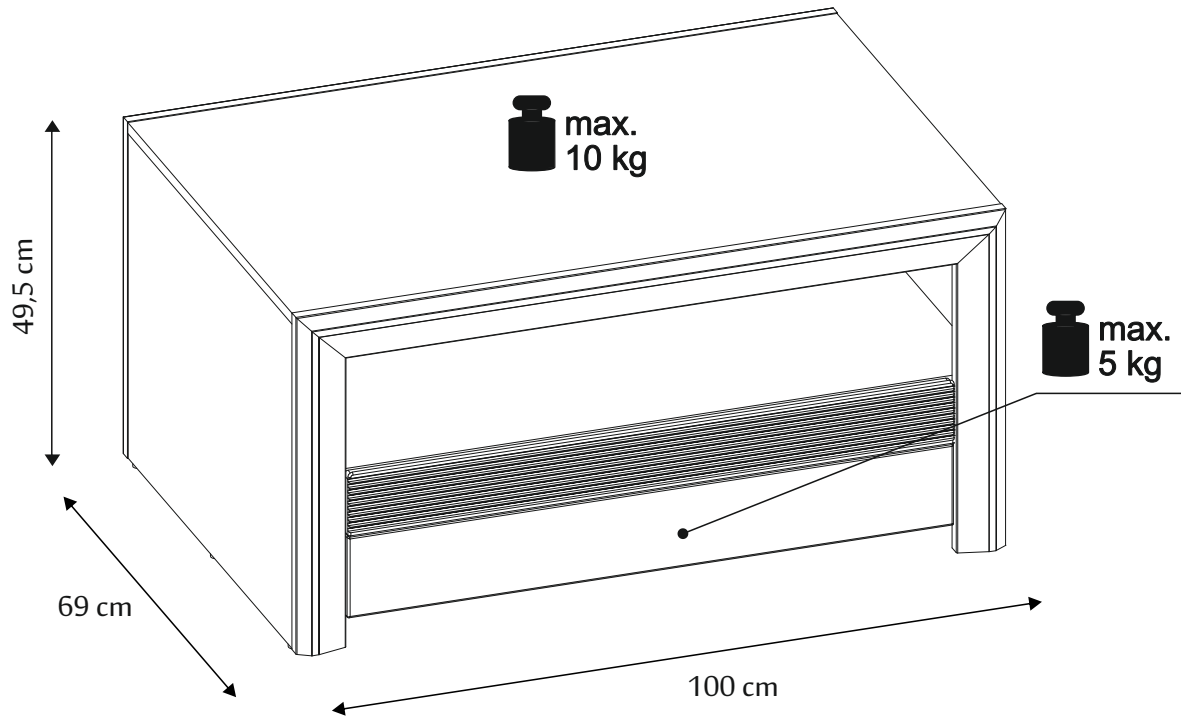


1803

KASHMIR KAT02

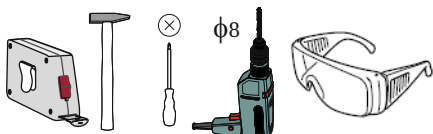
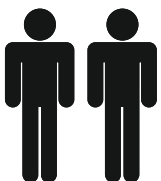
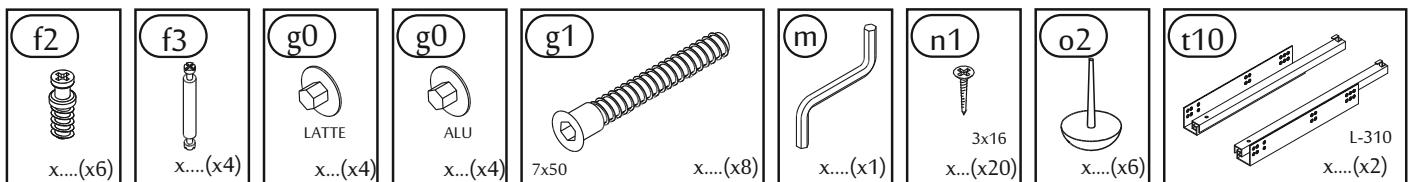
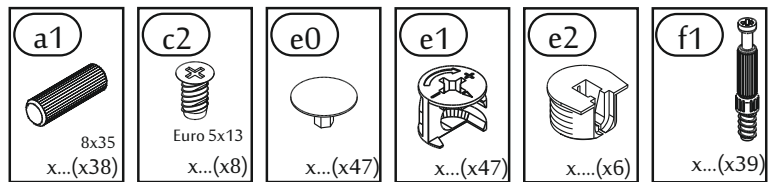
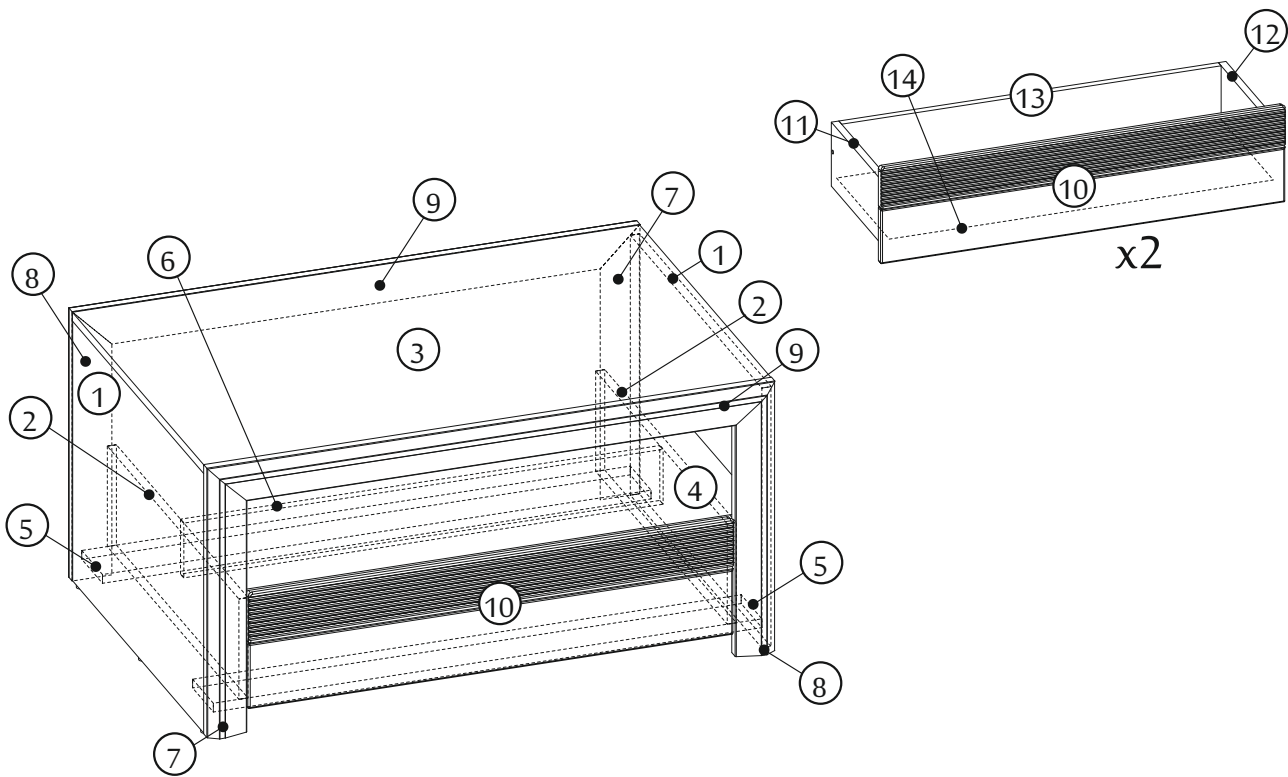
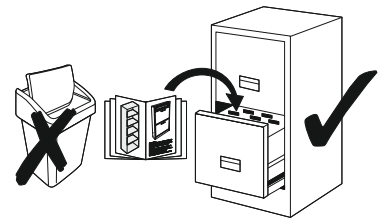


- 60 min.

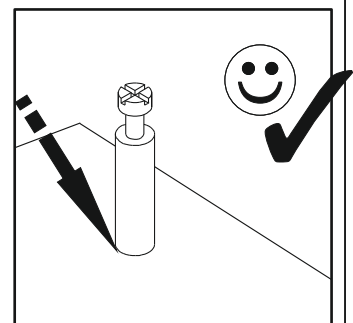
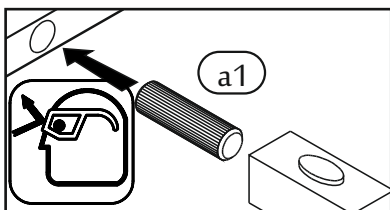
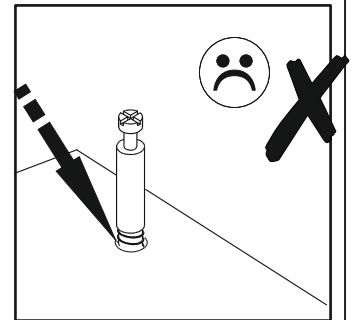
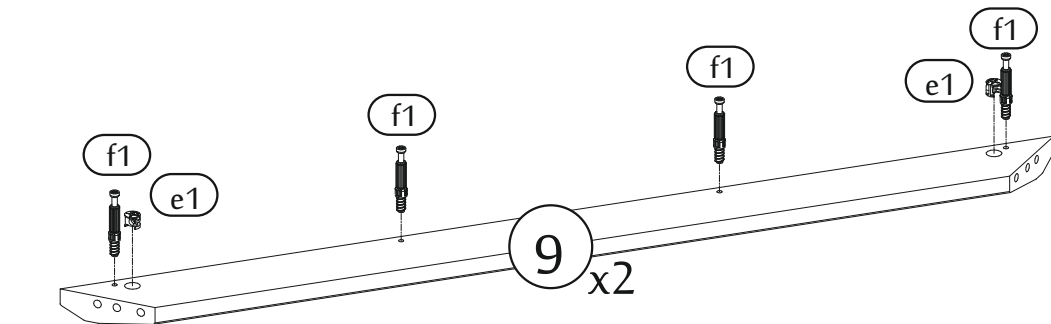
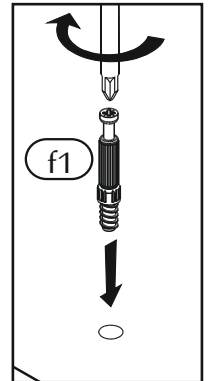
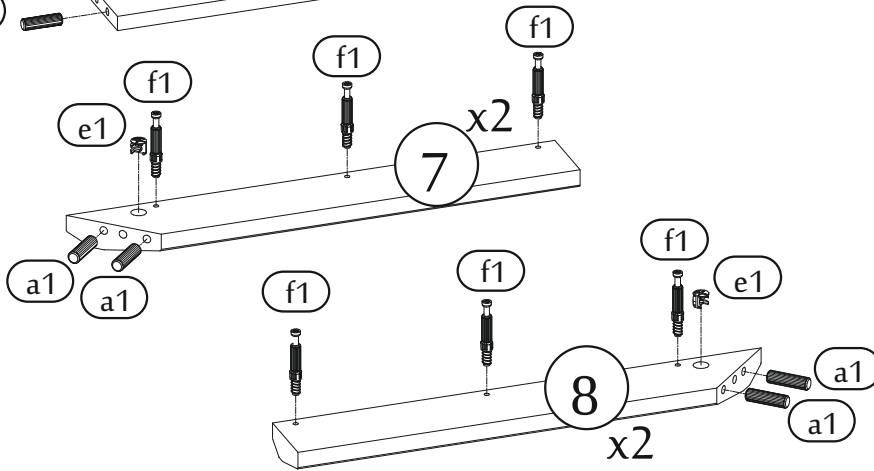
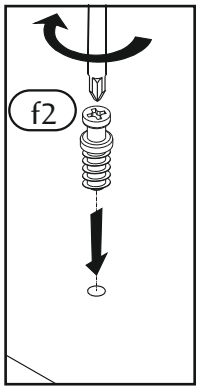
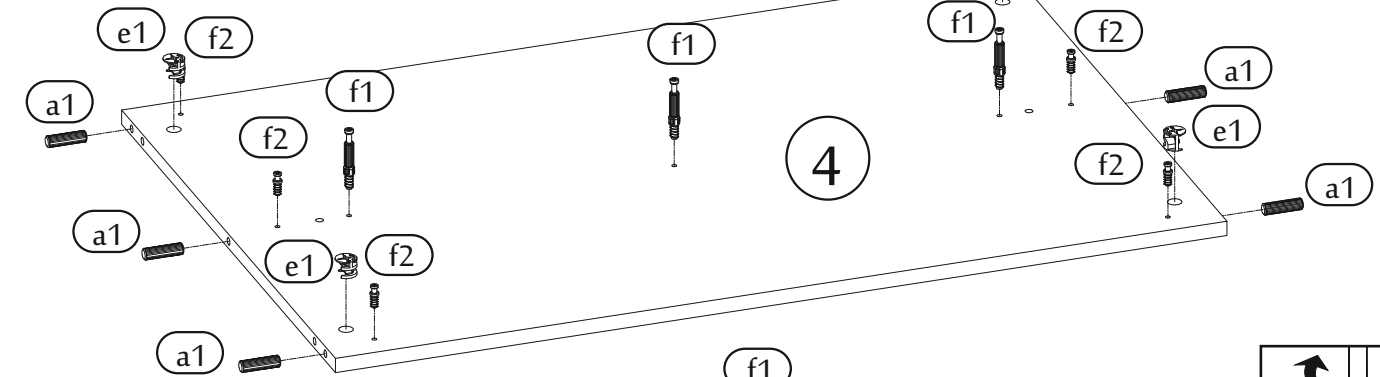
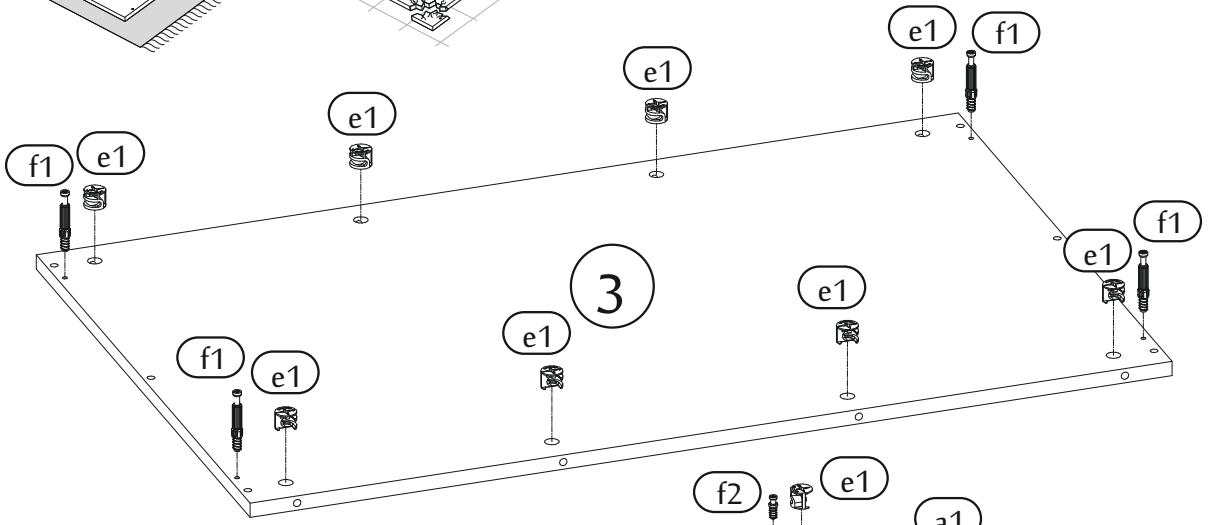
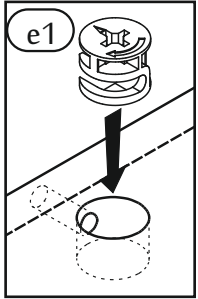
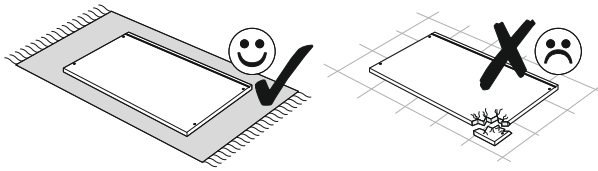


- | | |
|--------|--------|
| ① - C1 | ⑧ - C1 |
| ② - C1 | ⑨ - C1 |
| ③ - C1 | ⑩ - C1 |
| ④ - C1 | ⑪ - C1 |
| ⑤ - C1 | ⑫ - C1 |
| ⑥ - C1 | ⑬ - C1 |
| ⑦ - C1 | ⑭ - C1 |

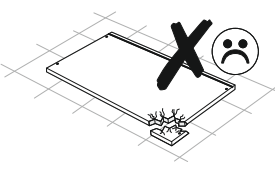
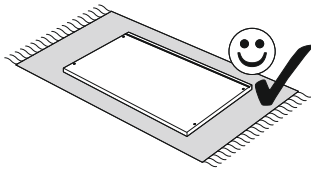
KASHMIR KAT02



2
▼

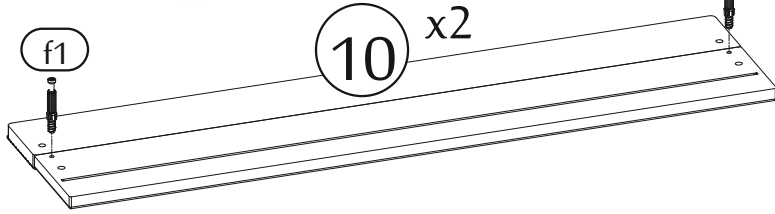
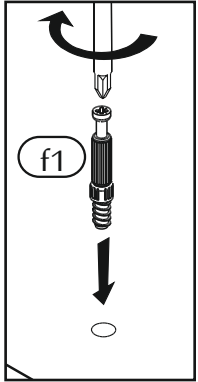
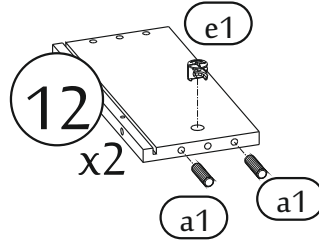
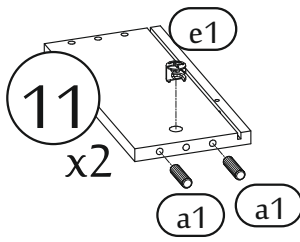
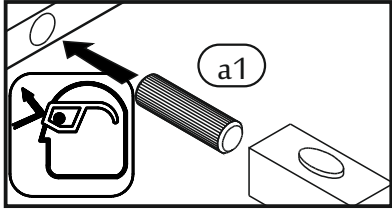
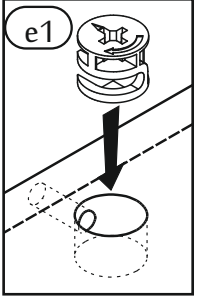


3

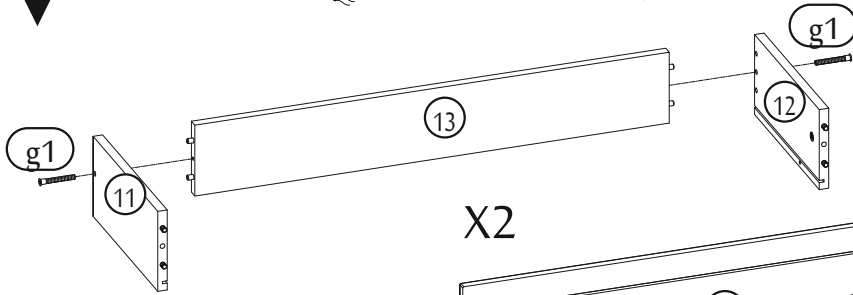
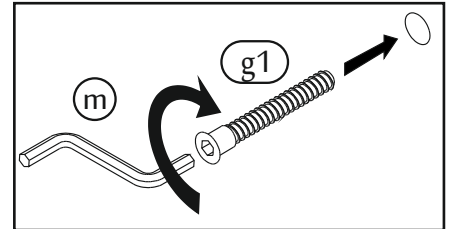
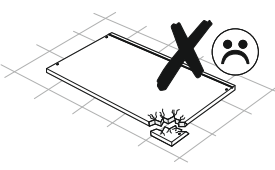
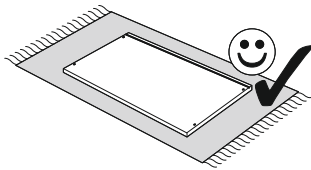


a1 a1

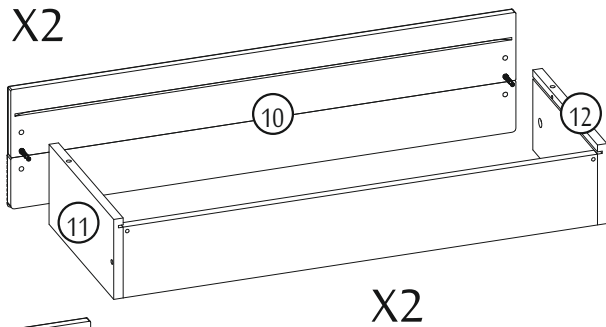
13 x2



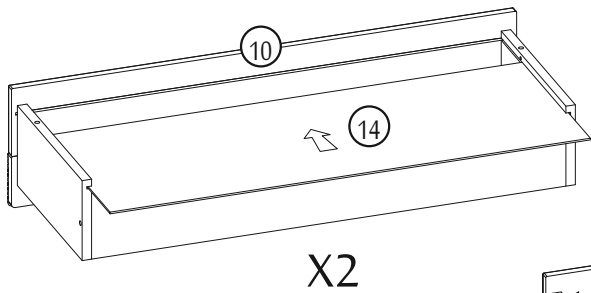
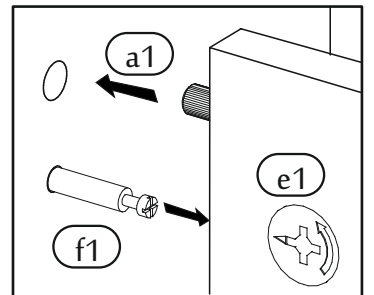
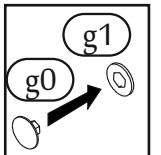
4



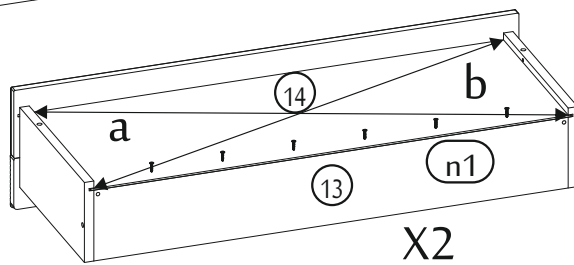
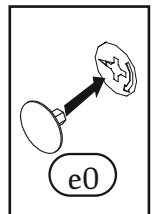
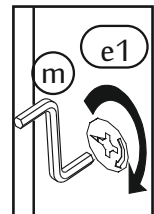
X2



X2



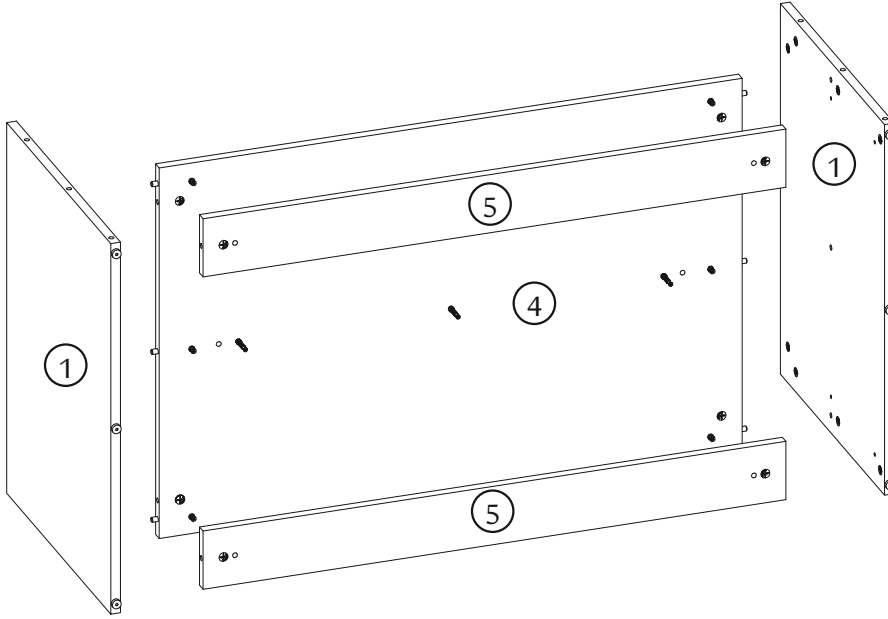
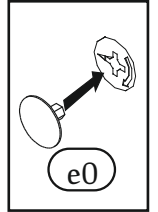
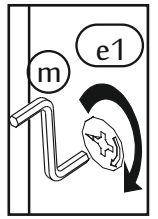
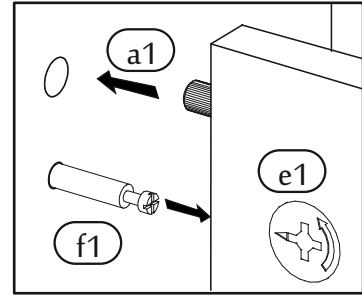
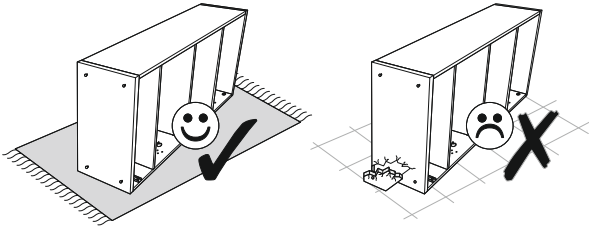
X2



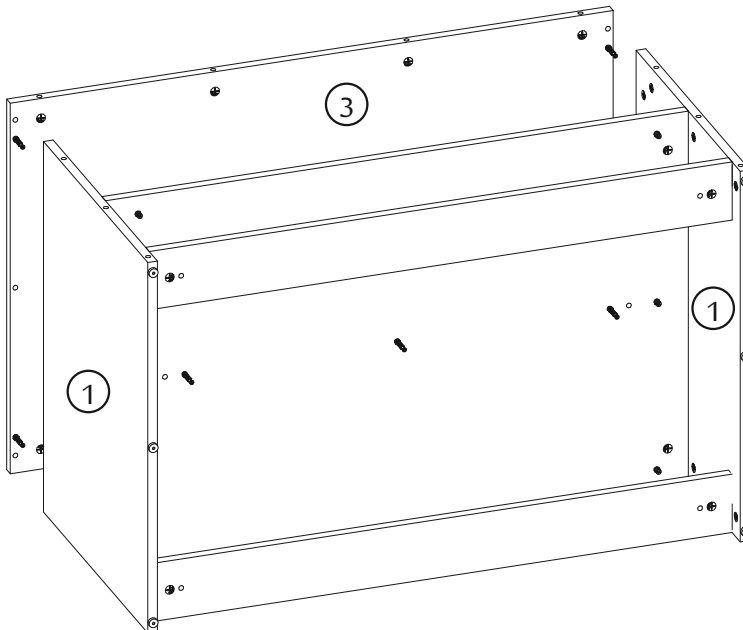
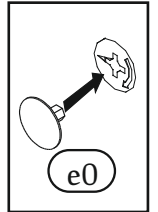
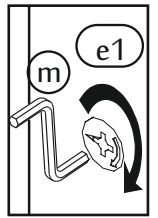
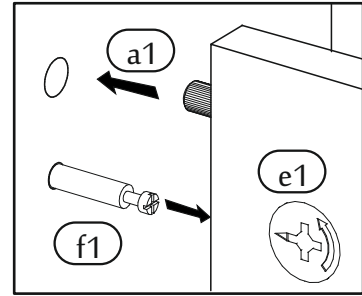
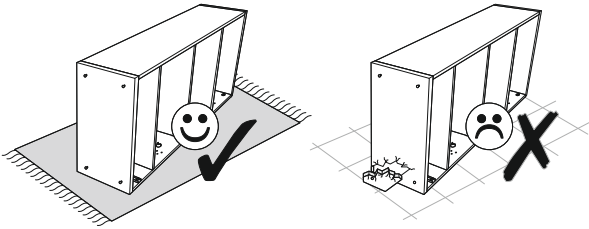
X2

a=b

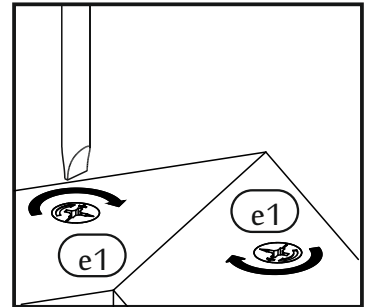
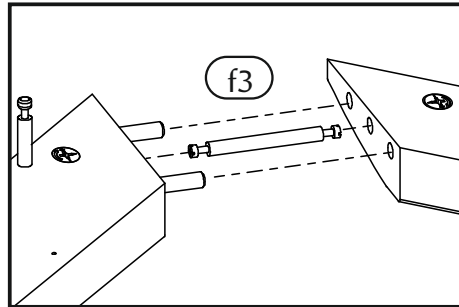
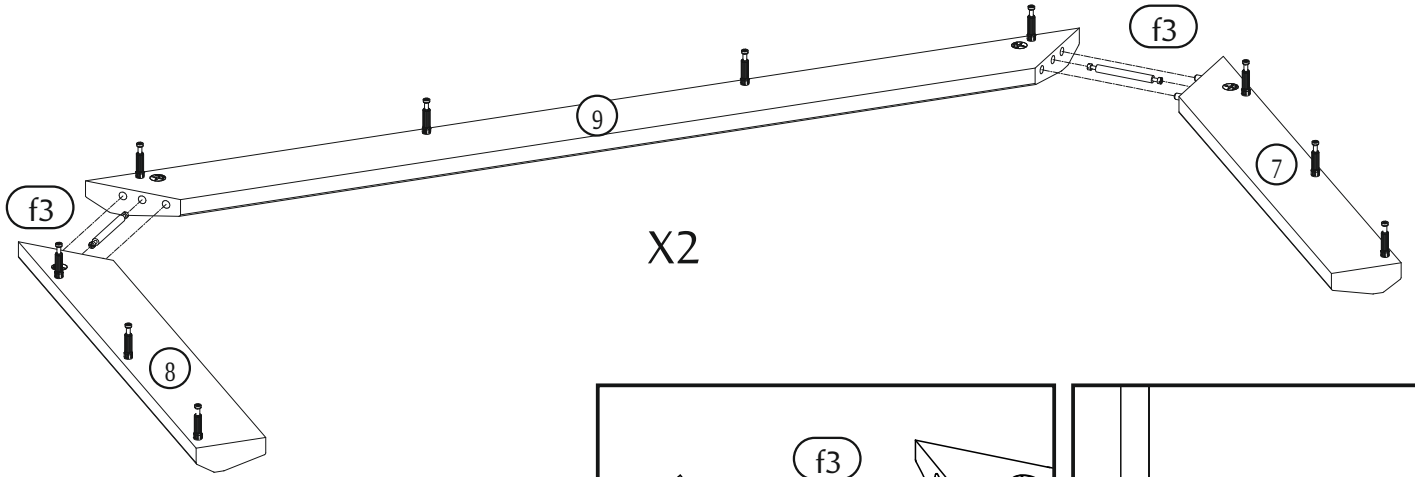
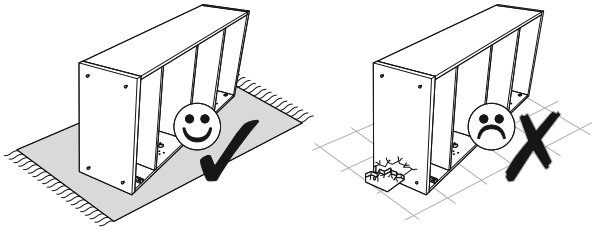
5



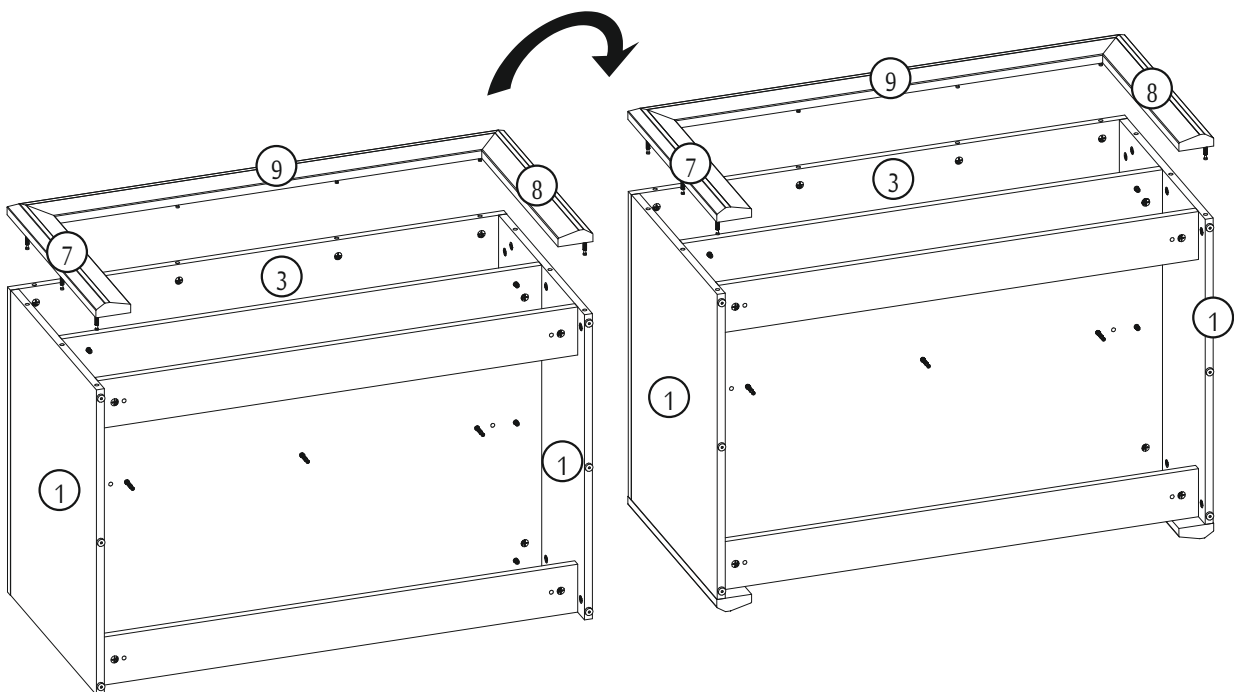
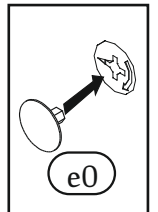
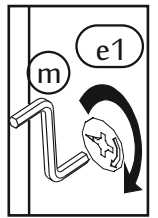
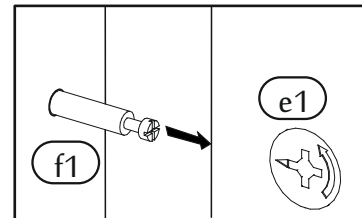
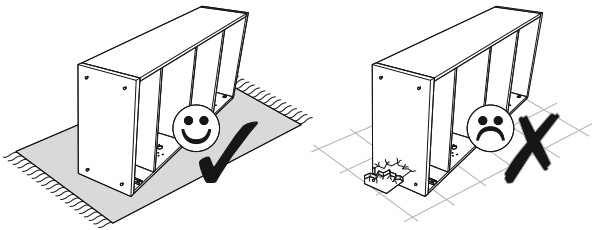
6



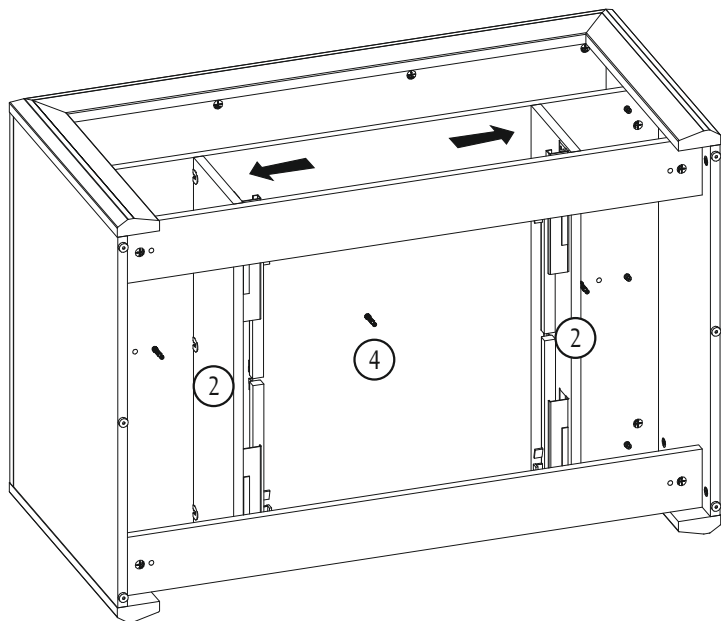
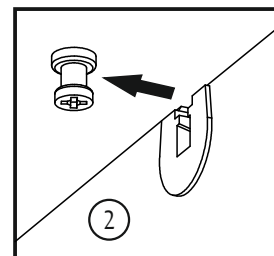
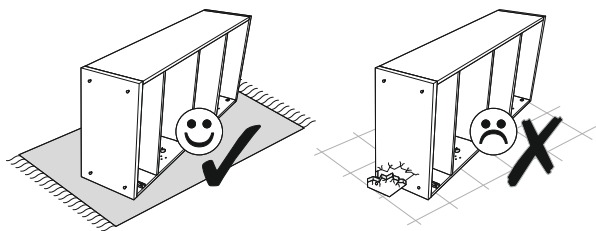
7
▼



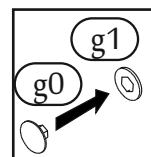
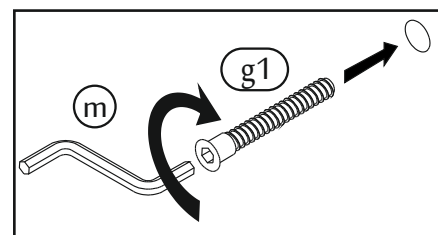
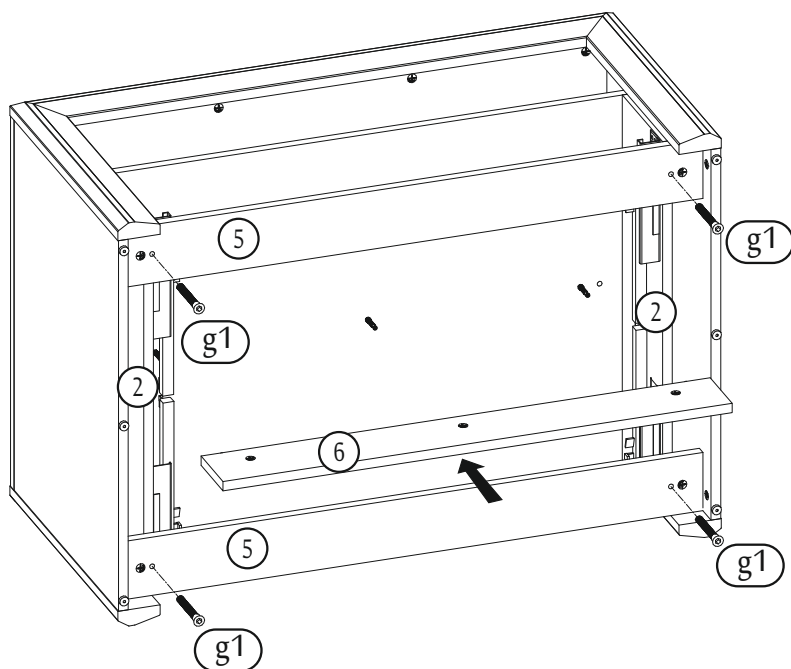
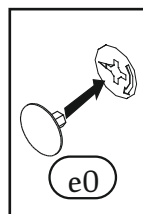
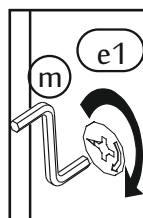
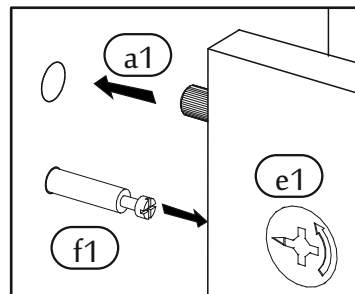
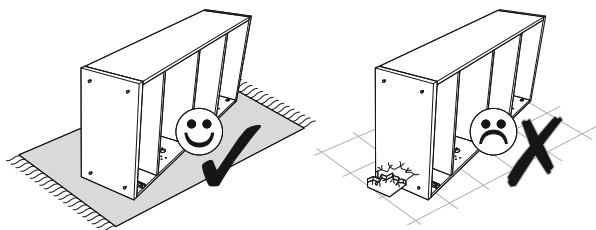
8
▼



9
▼



10
▼



11

