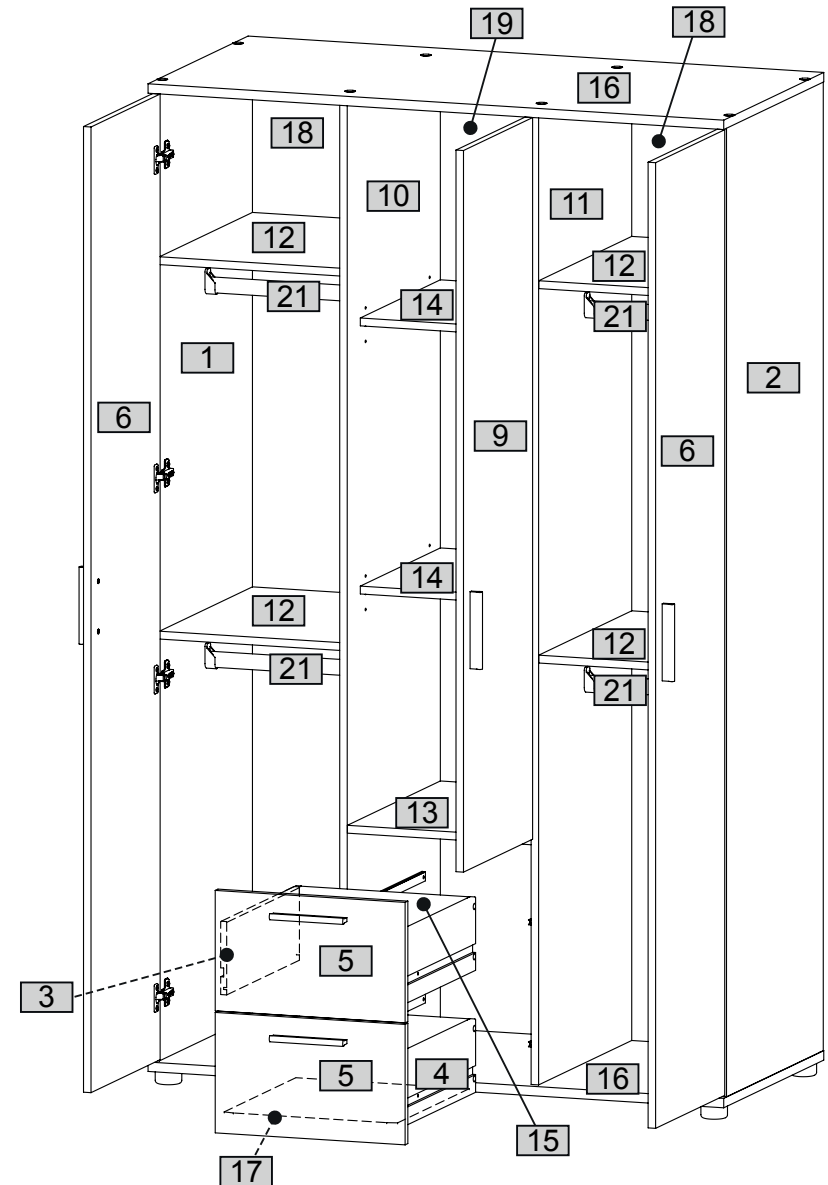
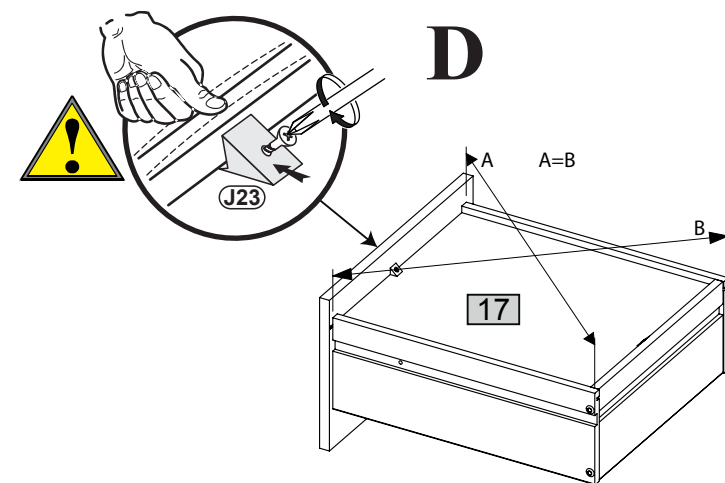
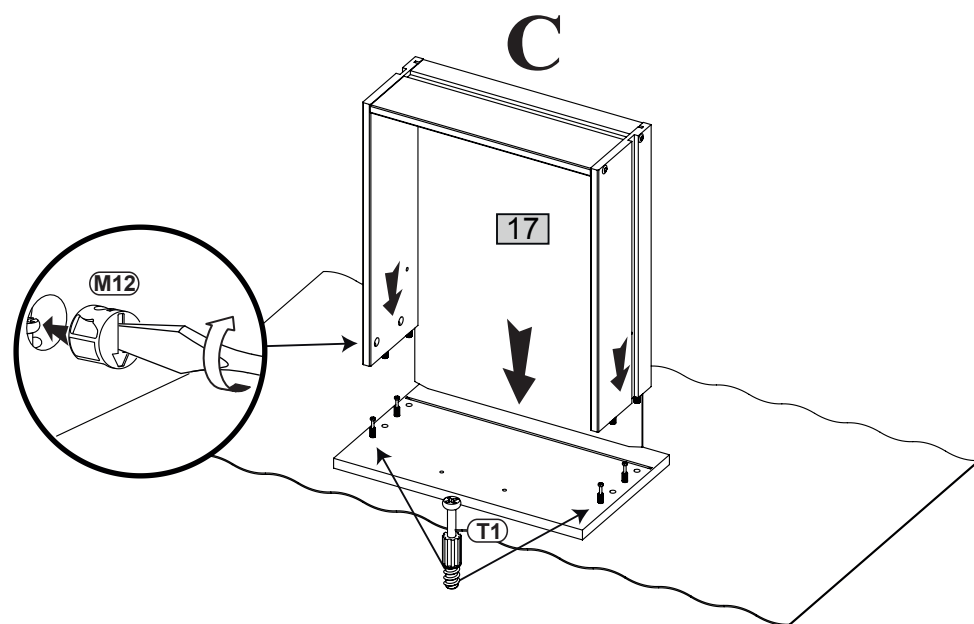
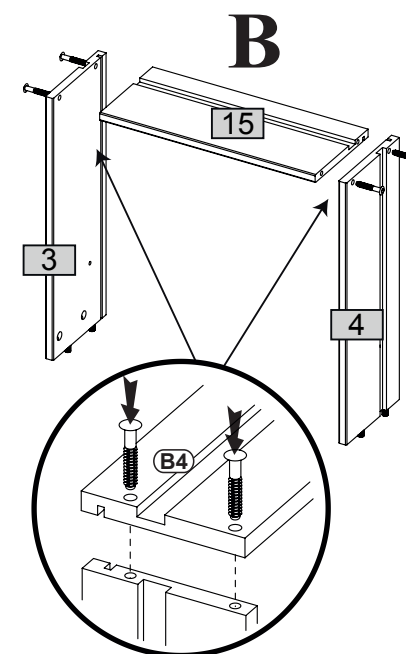
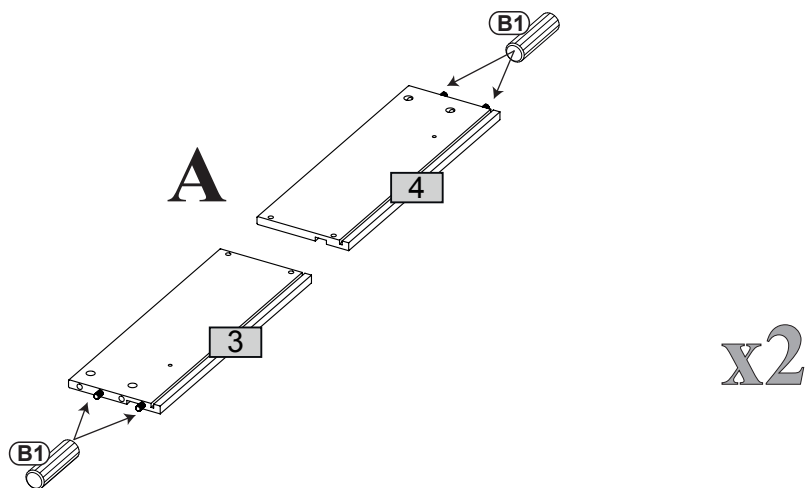
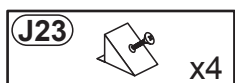
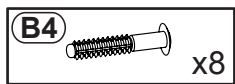
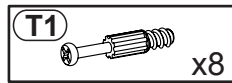
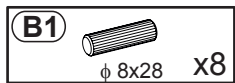


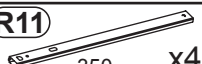

Nr	Ausmaß	St	Colli
1	1850 532 15	1	3
2	1850 532 15	1	3
3	400 140 12	2	1
4	400 140 12	2	1
5	380 230 15	2	1
6	1844 380 15	2	2
9	1378 380 15	1	2
10	1850 512 15	1	3
11	1850 512 15	1	3
12	361 511 15	4	1
13	368 511 15	1	2
14	368 440 15	2	2
15	336 140 12	2	1
16	1152 550 18	2	1
17	347 399 2	2	1
18	1864 375 2	2	2
19	1864 382 2	1	2
21	353	4	1

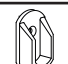



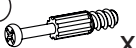
1




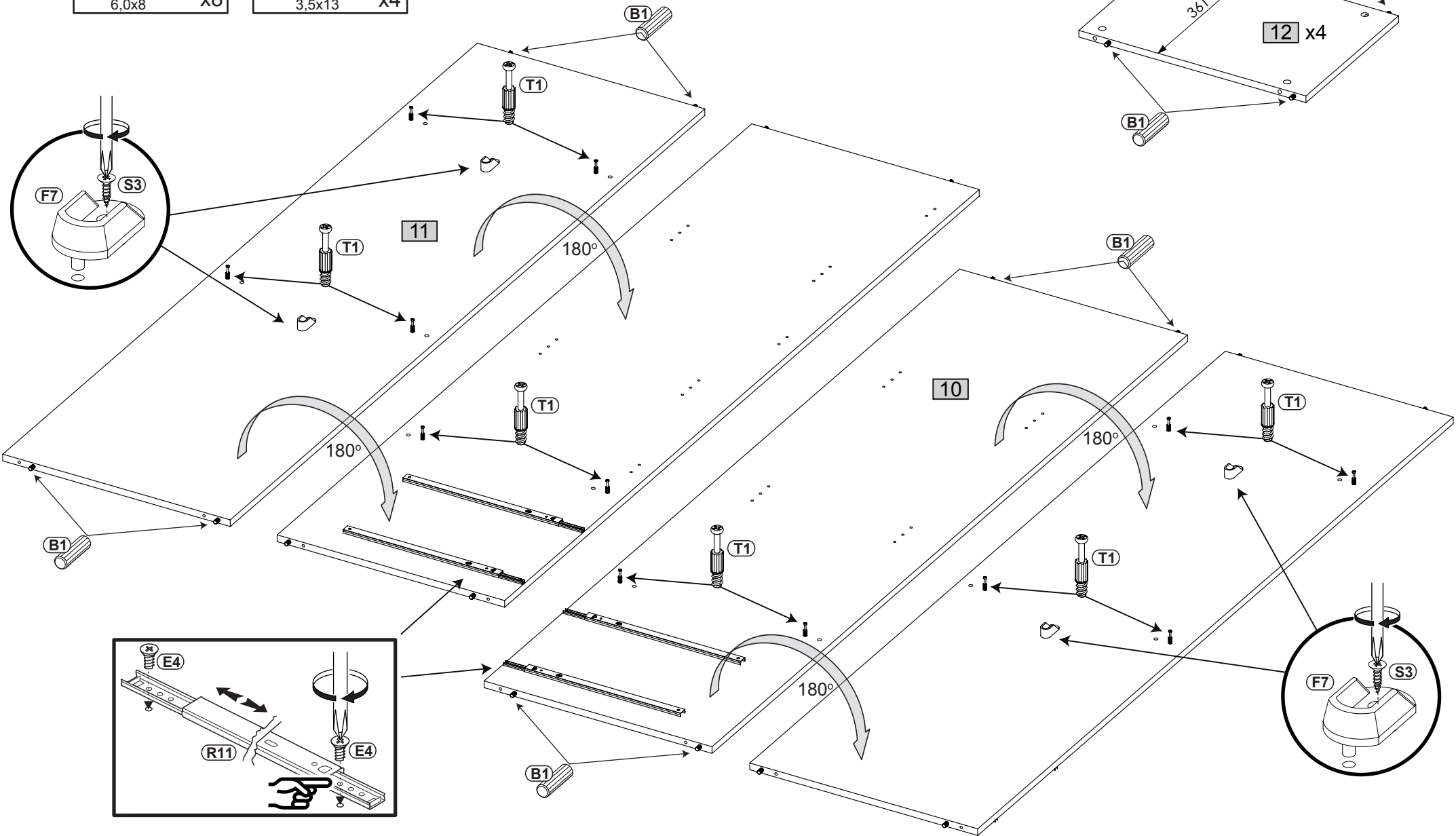
2

<b>R11</b>		350	x4
<b>E4</b>		6,0x8	x8



<b>F7</b>		x4	
<b>S3</b>		3,5x13	x4

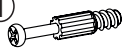
<b>T1</b>		x12
-----------	---	-----


<b>B1</b>		φ 8x28	x28
-----------	---	--------	-----

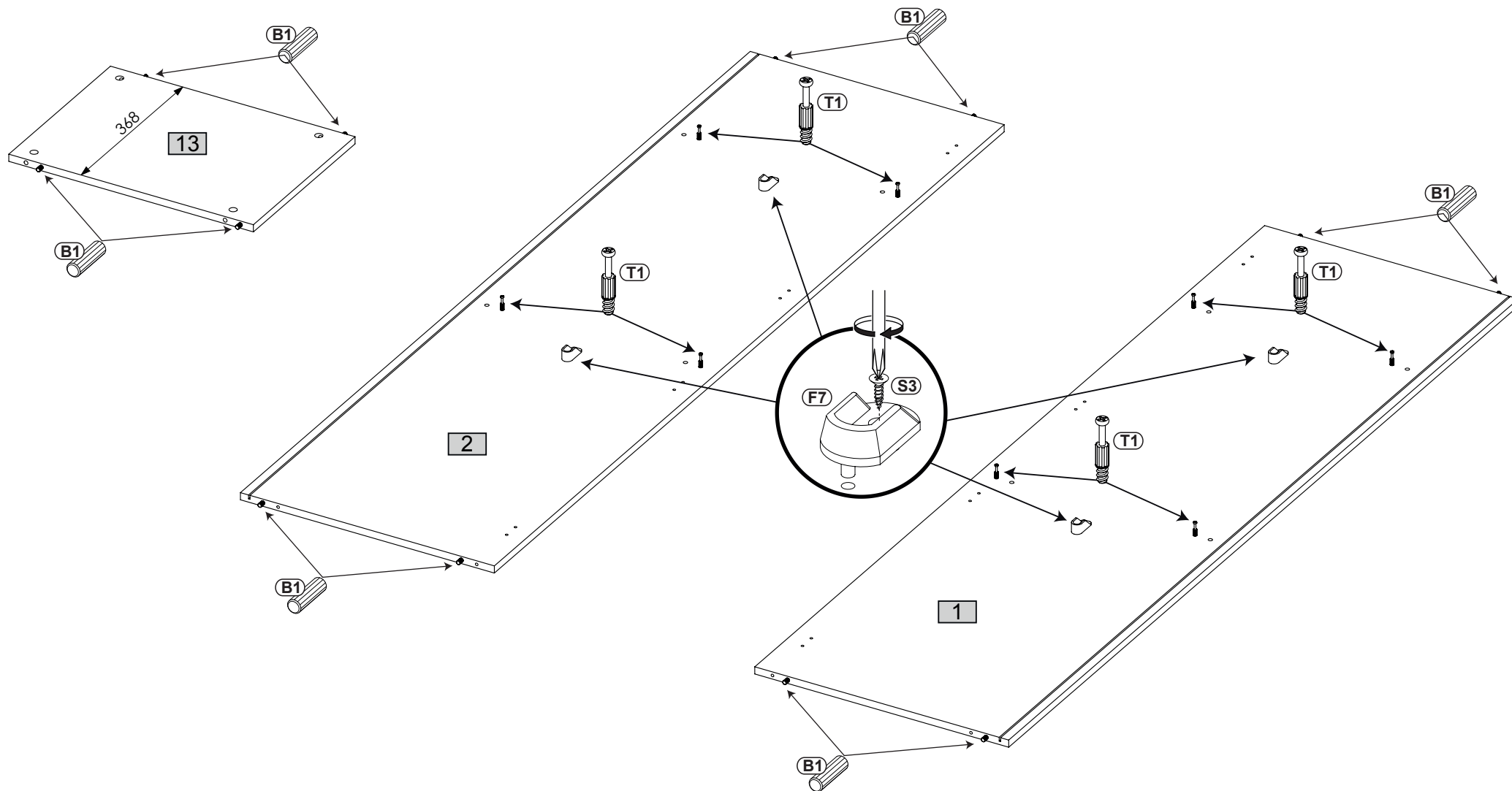


3

<b>F7</b>		x4
<b>S3</b>		x4
3,5x13		

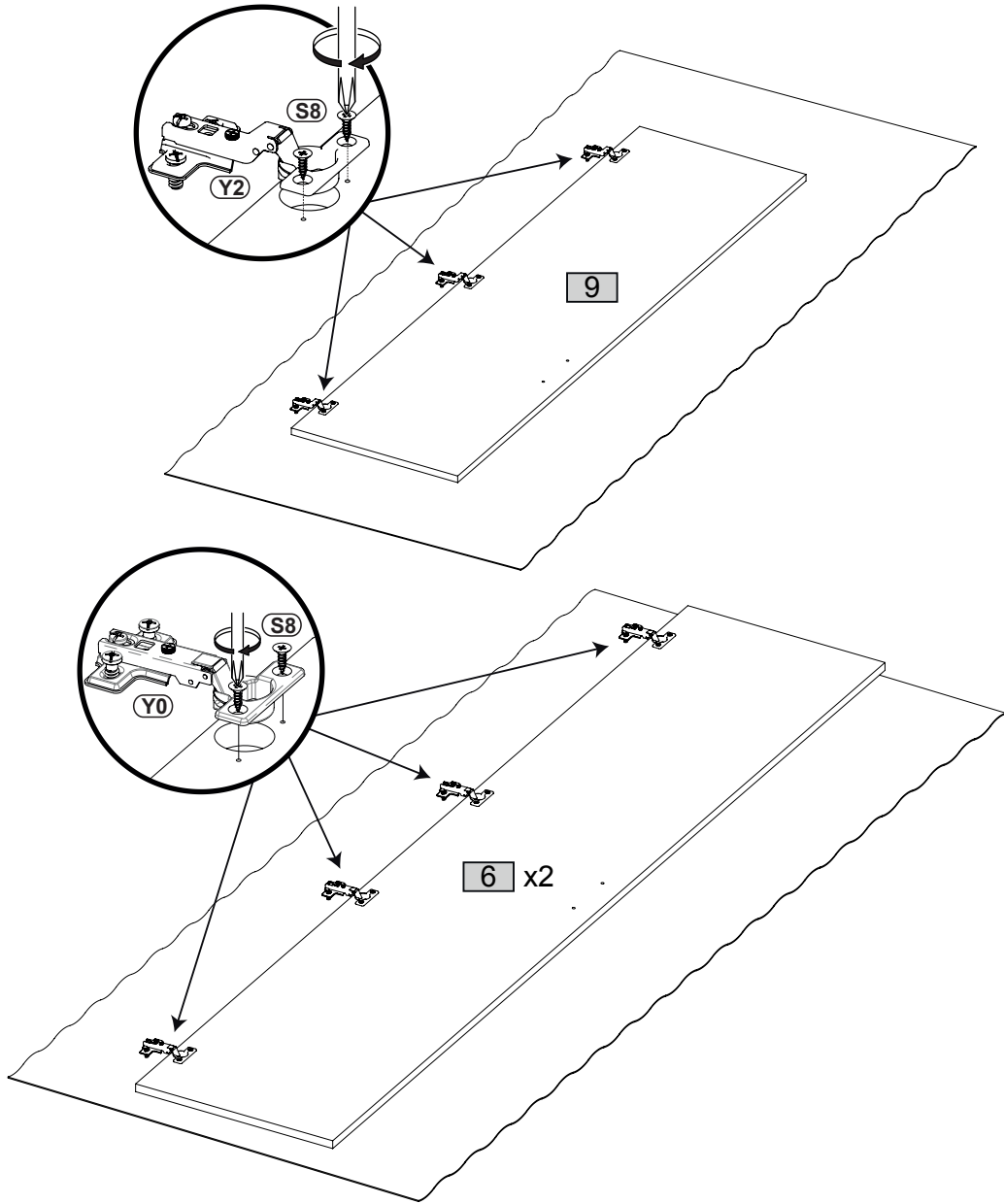
<b>T1</b>		x8
-----------	---	----

<b>B1</b>		$\phi$ 8x28 x12
-----------	---	-----------------



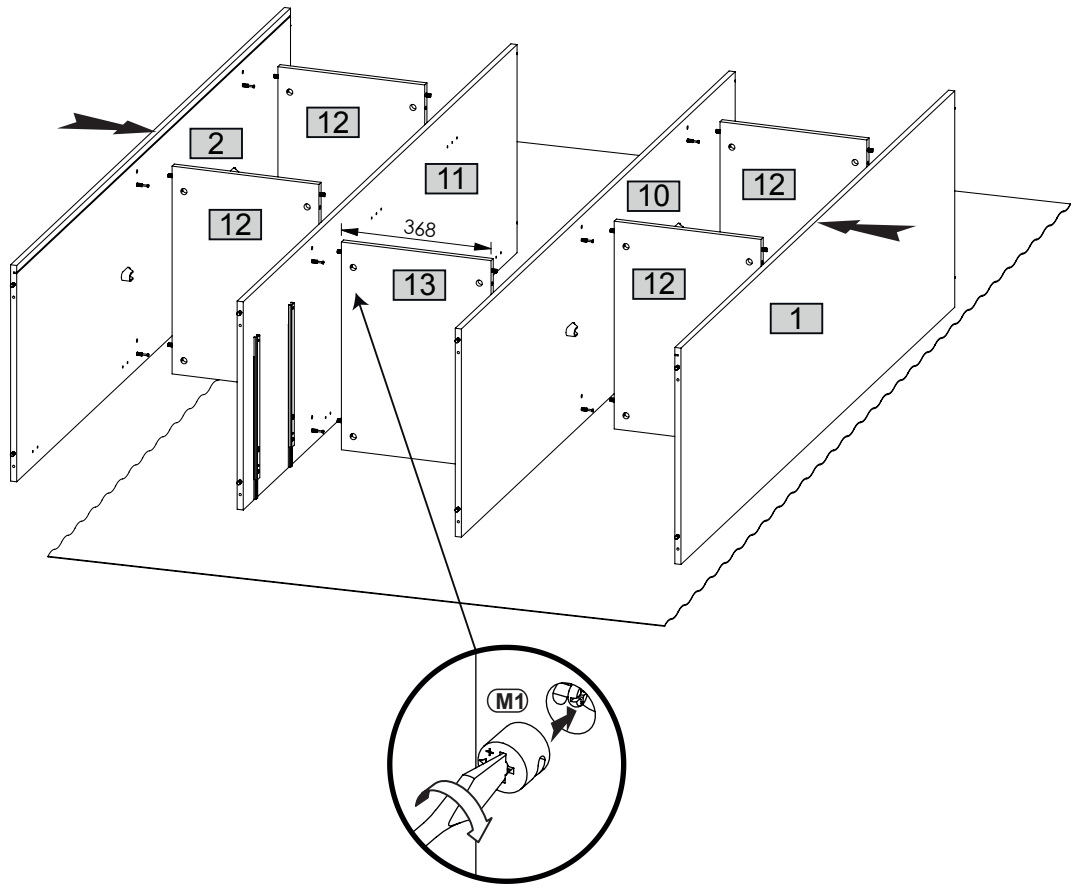
4

- Y0**  
KR0  x8
- Y2**  
KR8  x3
- S8**  x22  
4x13 x22

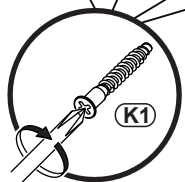
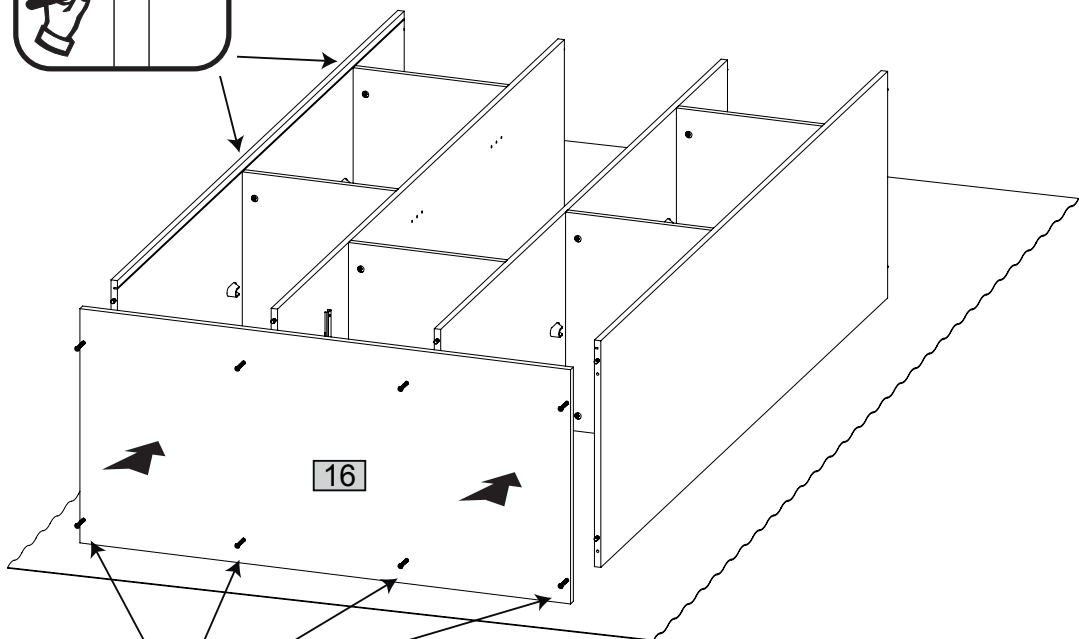
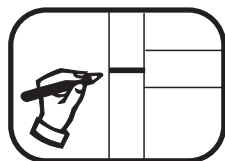
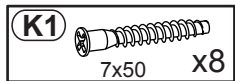


5

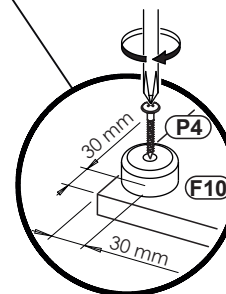
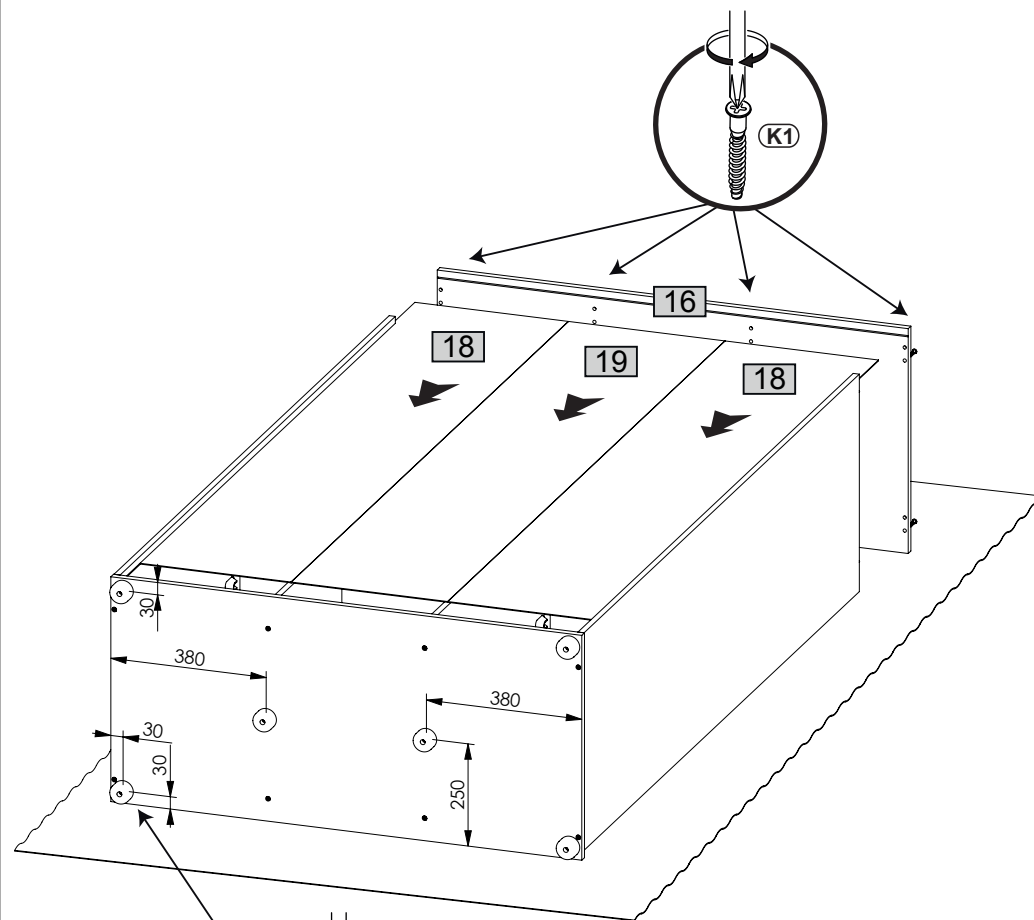
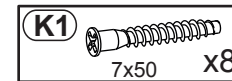
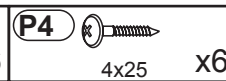
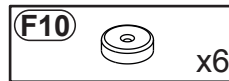
- M1**  x20




6

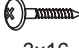



7

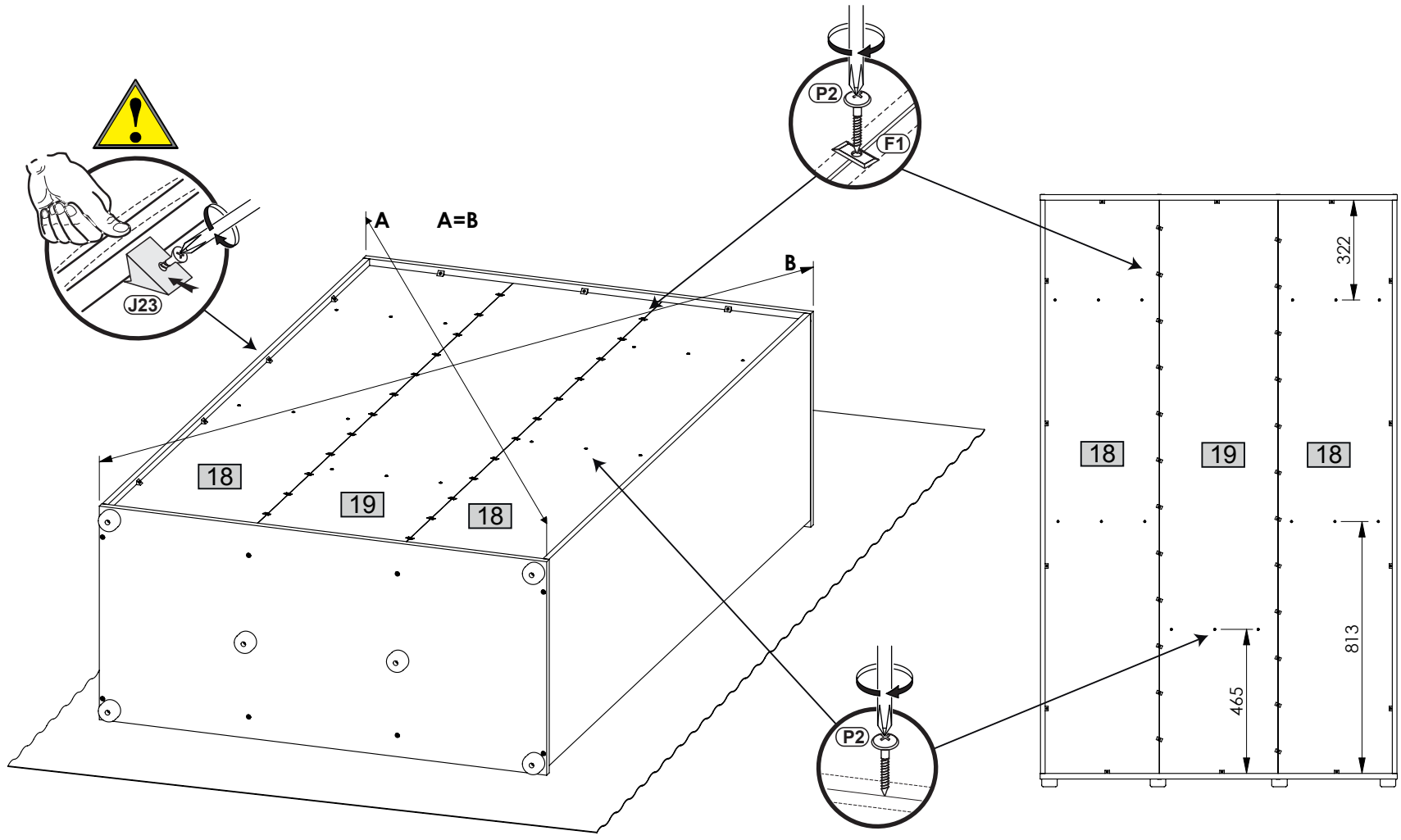


8

**(F1)**  x24

**(P2)**  3x16 x39

**(J23)**  x14





9

