

# SOJAG

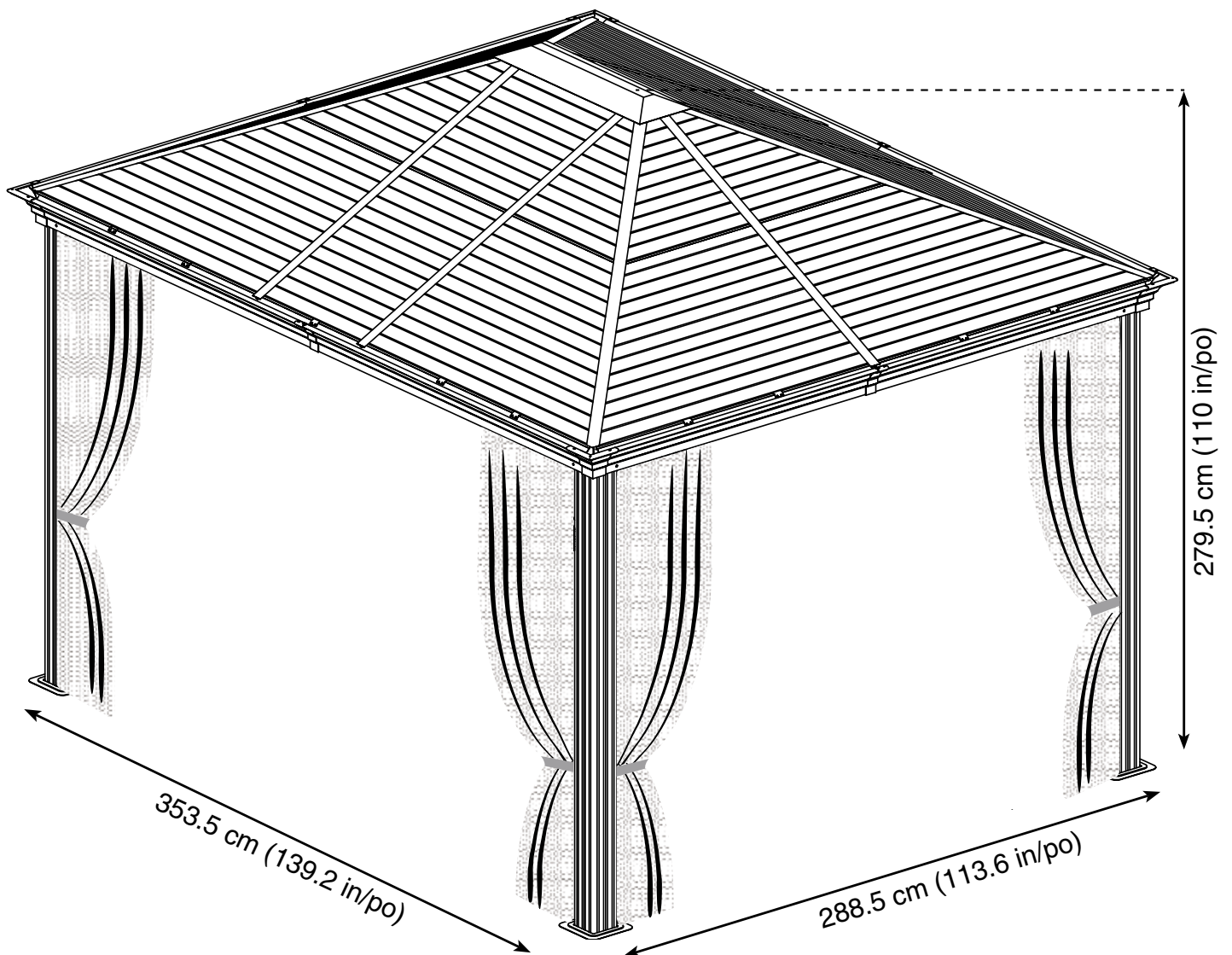
produits saisonniers • seasonal products

Sojag code: 500-9163391

CUP/UPC code: 772830163391

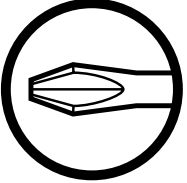
QUESTIONS? 1 866-901-1649

## Assembly Manual / Guide d'assemblage / Manual de ensamblaje / 조립설명서 / Montageanleitung





Use the hex keys in the box. / Utilisez les clés hexagonales fournies dans la boîte. / Utilice las llaves hexagonales en la caja. / 상자에 육각 키를 사용 하십시오. / Verwenden Sie die Sechskantschlüssel in der Box.



Please use a Phillips screwdriver period / Utilisez un tournevis de type Phillips / Por favor, use un destornillador Phillips / 십자 드라이버를 사용 하십시오. / Bitte verwenden Sie einen Kreuzschraubenzieher.



You may need to use a drill for this step. / Vous pouvez avoir besoin d'utiliser une perceuse pour cette étape. / puede que tenga que utilizar un taladro para este paso. / 이 단계에선 드릴을 사용해야 할 수도 있습니다. / Für diesen Schritt können Sie einen Bohrer verwenden.



Wearing protective gloves is recommended. / Le port de gants de protection est recommandé / El uso de guantes de protección se recomienda / 보호 장갑을 착용 하는 것이 좋습니다. / Das Tragen von Schutzhandschuhen wird empfohlen.



Two or more people are required at this stage. / Deux personnes ou plus sont nécessaires à cette étape. / Dos o más personas se requieren en esta etapa. / 이 단계에서는 두 명 이상이 필요합니다. / Für diesen Bauschritt sind 2 oder mehr Personen erforderlich.

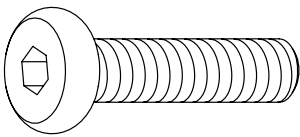


Do not screw firmly for now. / Ne pas visser fermement pour l'instant. / No atornille con firmeza por ahora. / 아직 나사를 단단히 조이지 마십시오. / Bitte die Schrauben zum jetzigen Zeitpunkt noch nicht fest anziehen.

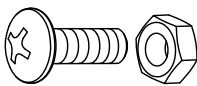


Sold separately / Vendus séparément / vendido en las opciones / 옵션 판매 / Optional erhältlich


**U** X 17 (+3)



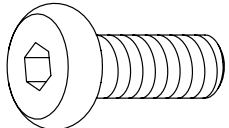
**U1** X 40 (+8)



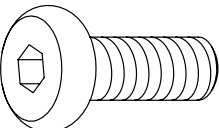
**U2** X 2 (+1)



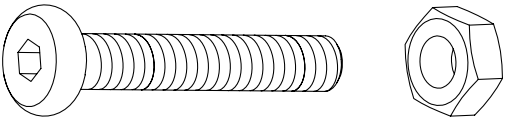
**V** X 80 (+6)



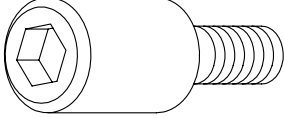
**V1** X 52 (+5)



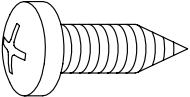
**V2** X 8 (+2)



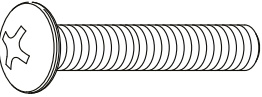
**X** X 16 (+2)



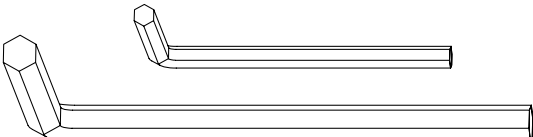
**Y** X 64 (+7)



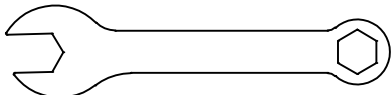
**Y1** X 44 (+4)

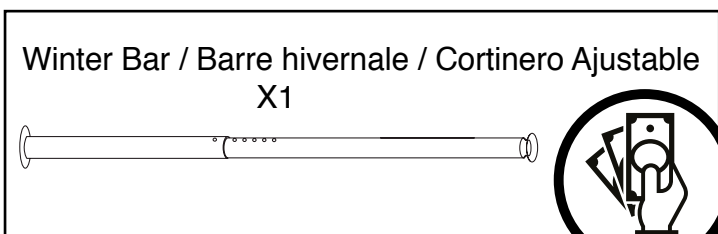
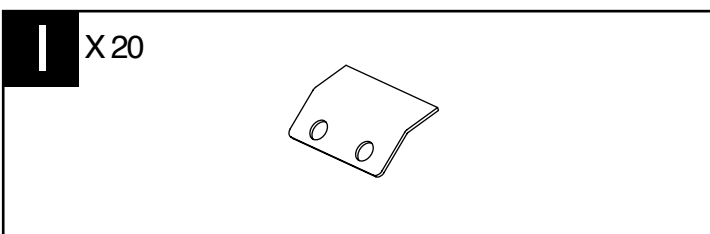
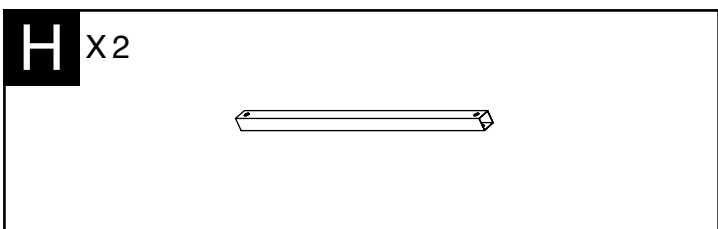
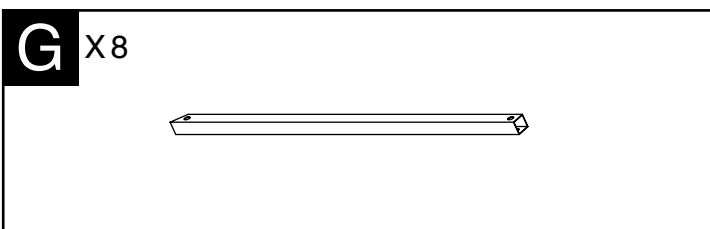
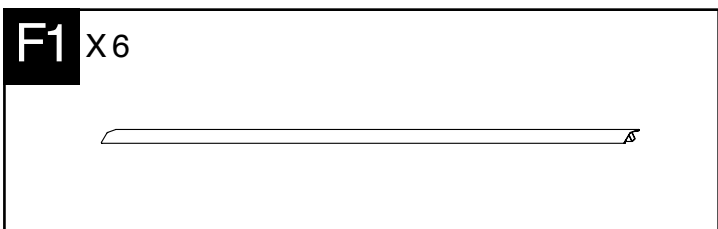
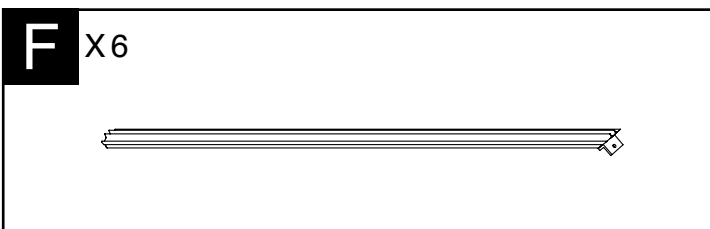
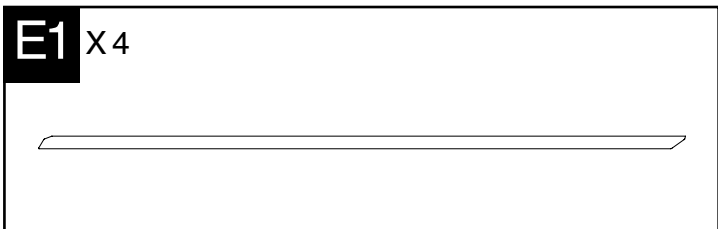
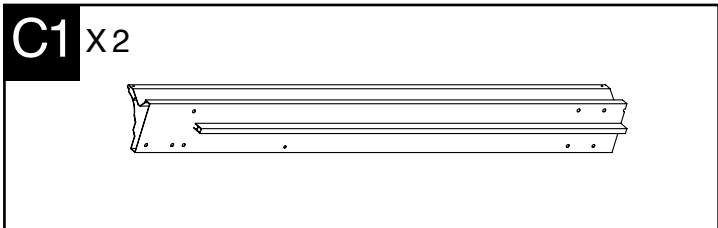
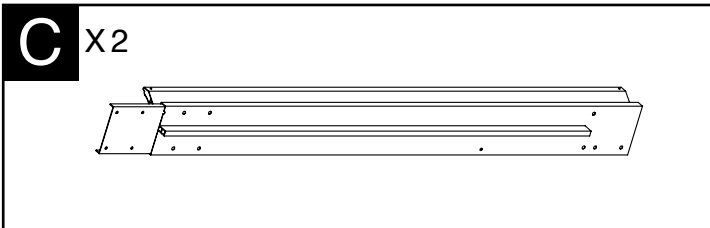
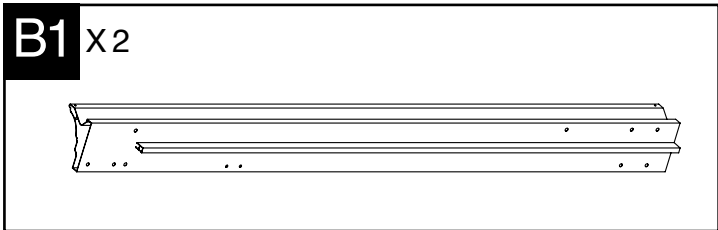
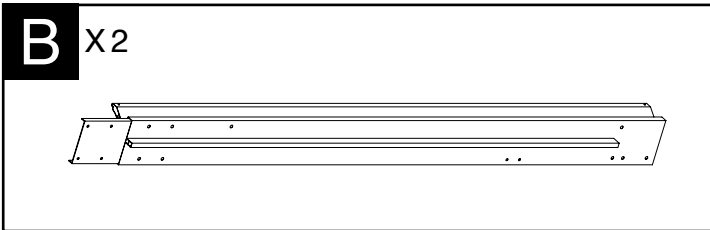
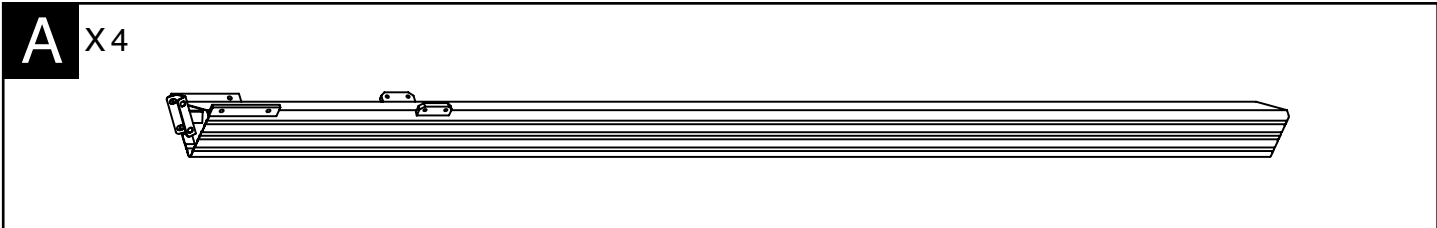


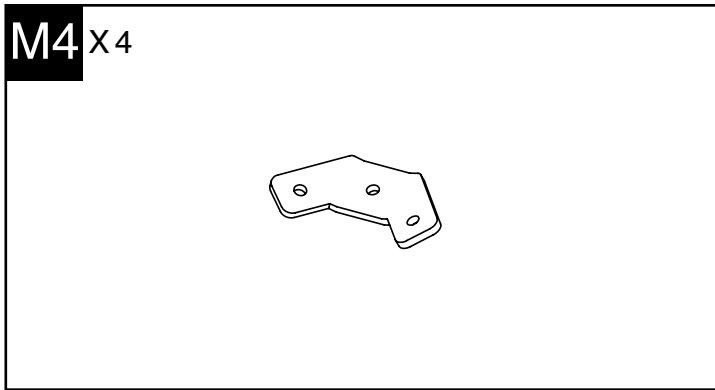
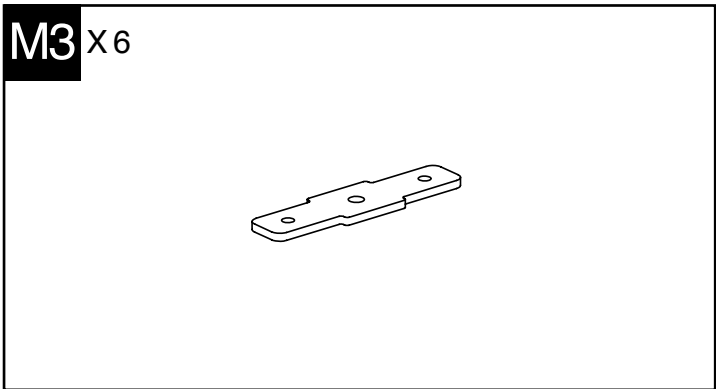
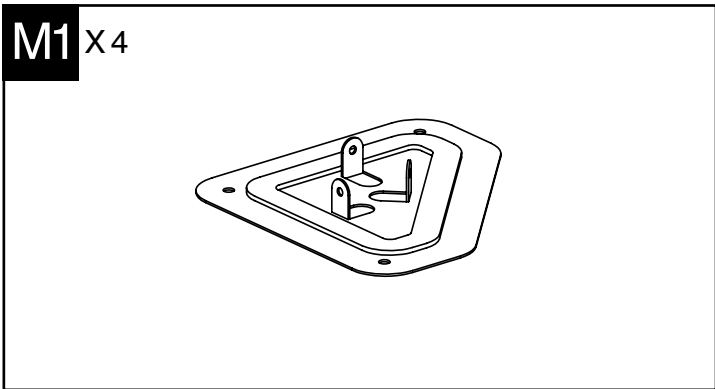
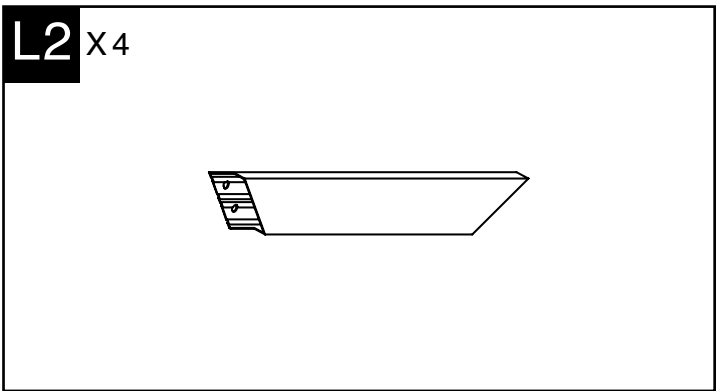
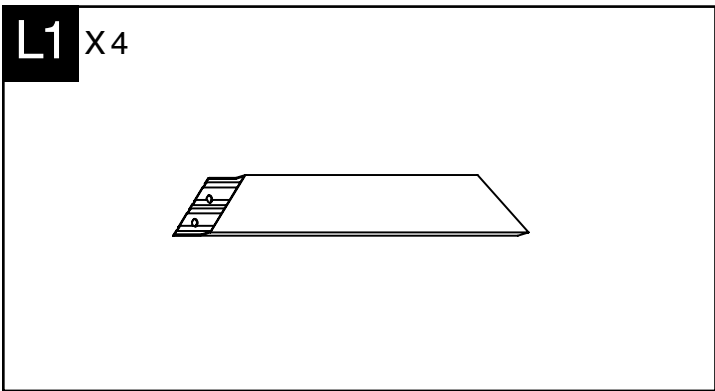
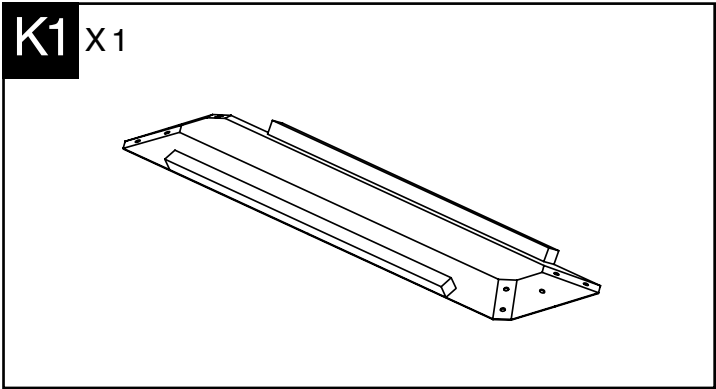
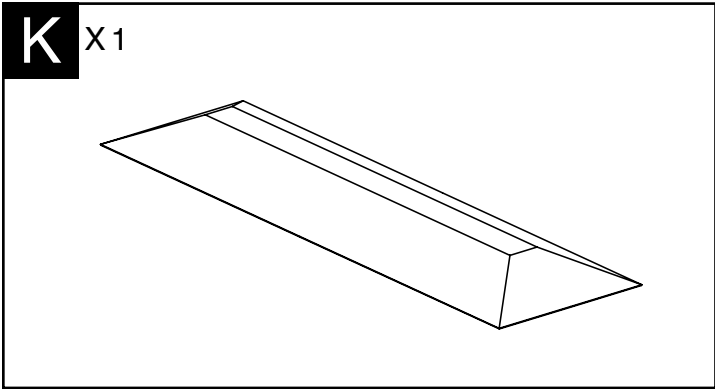
**Z** X 1

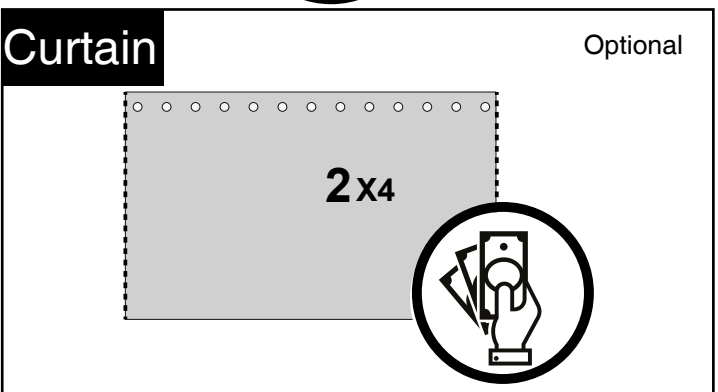
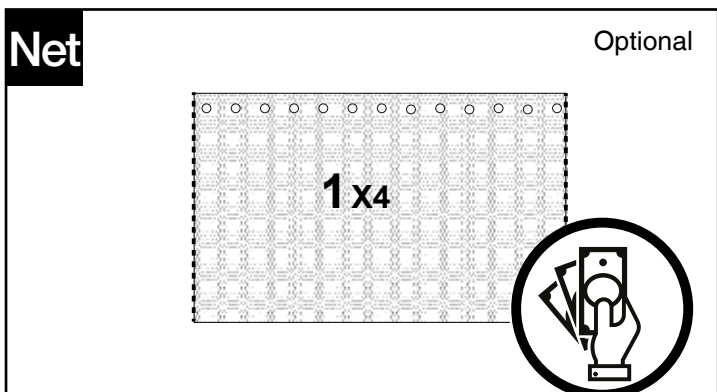
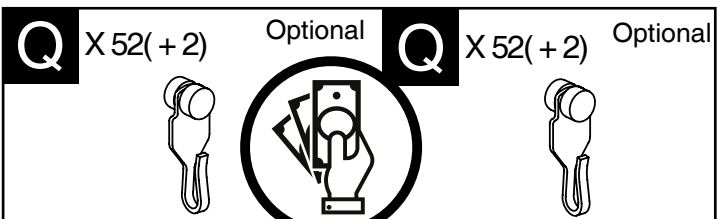
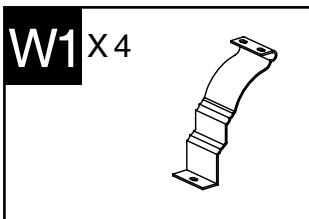
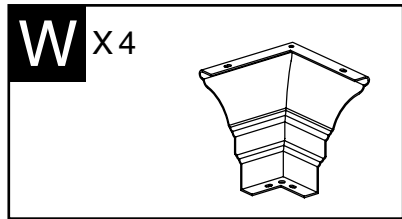
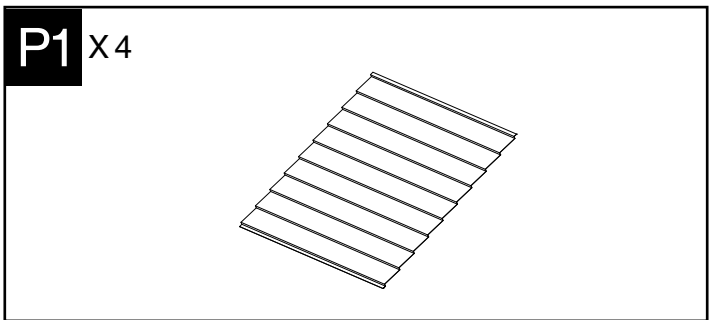
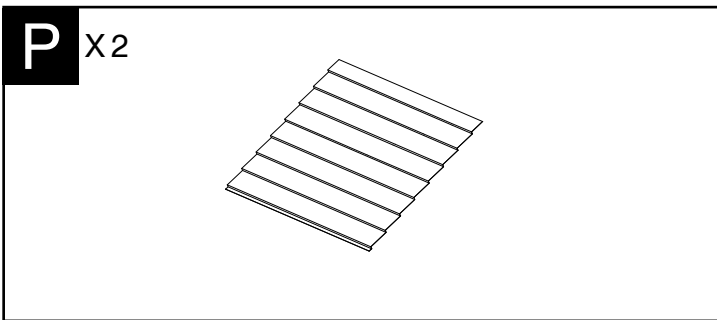
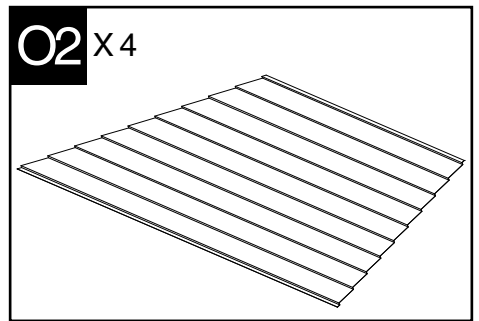
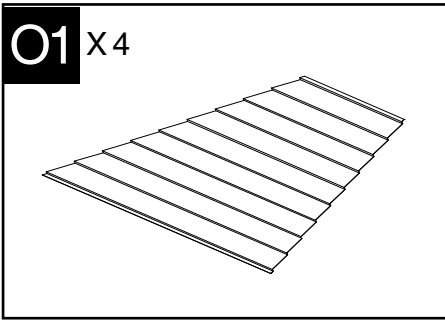
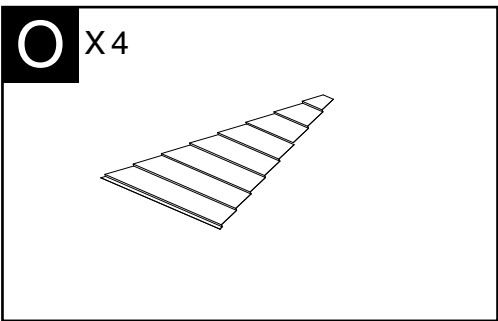
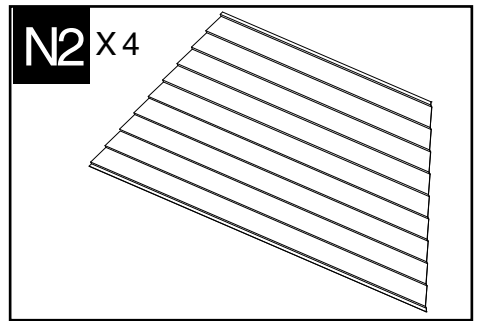
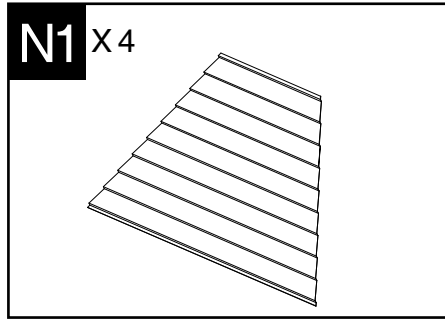
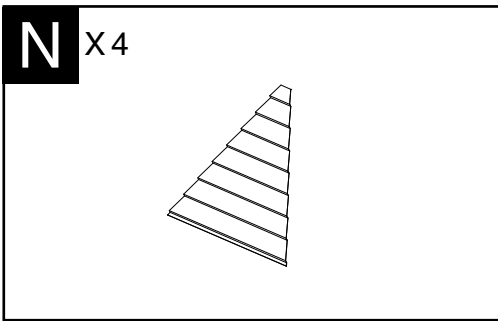


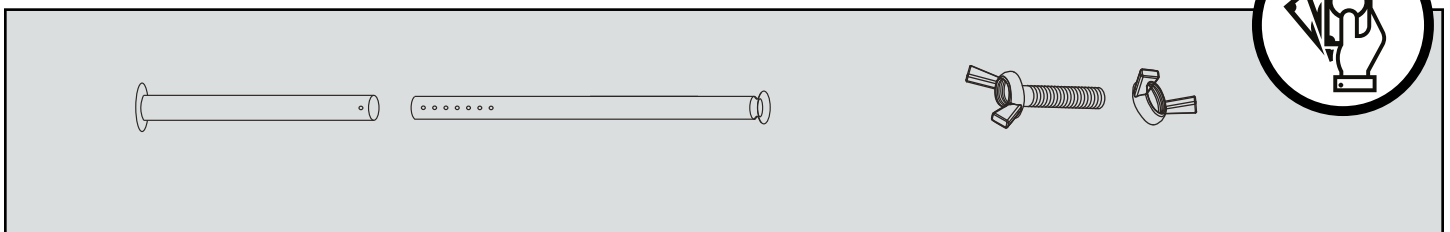
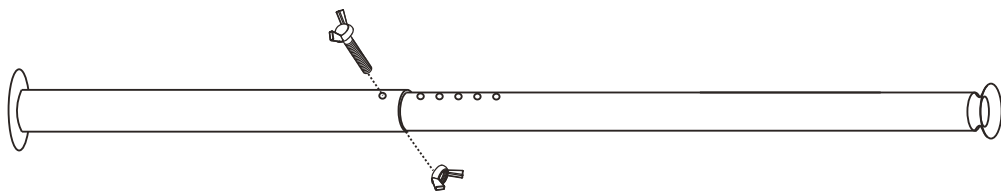
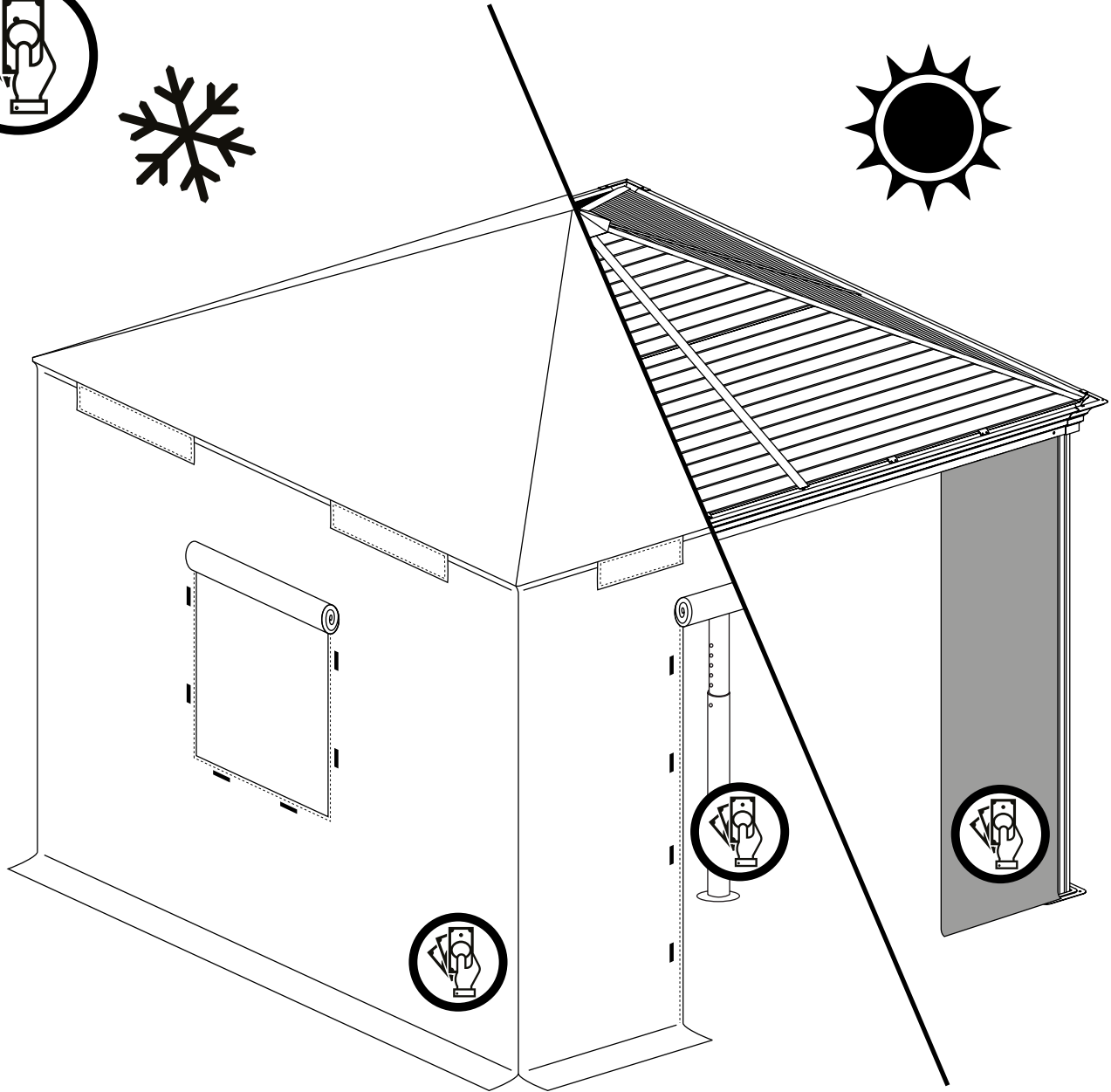
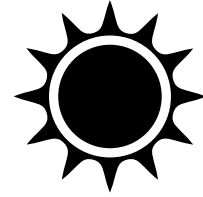
**Z1** X 1

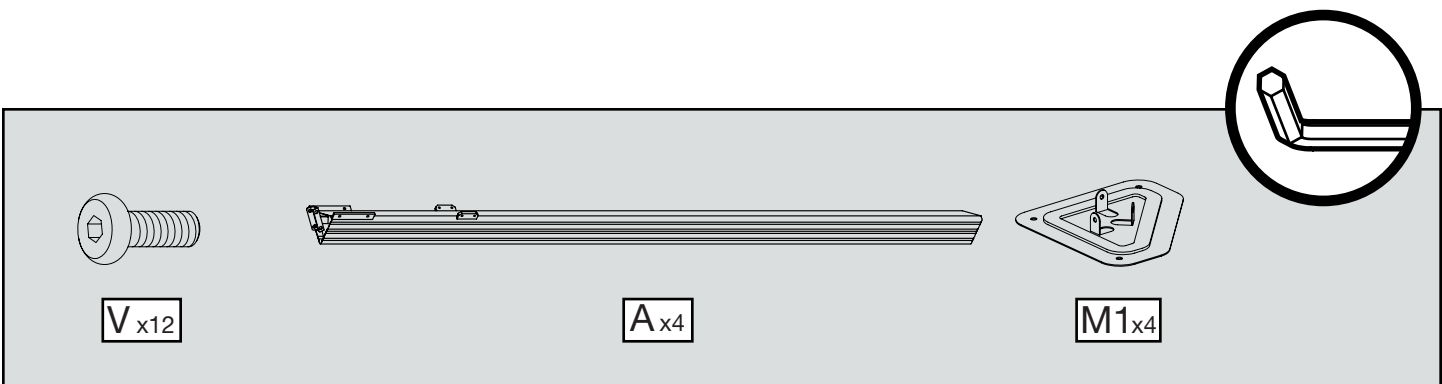
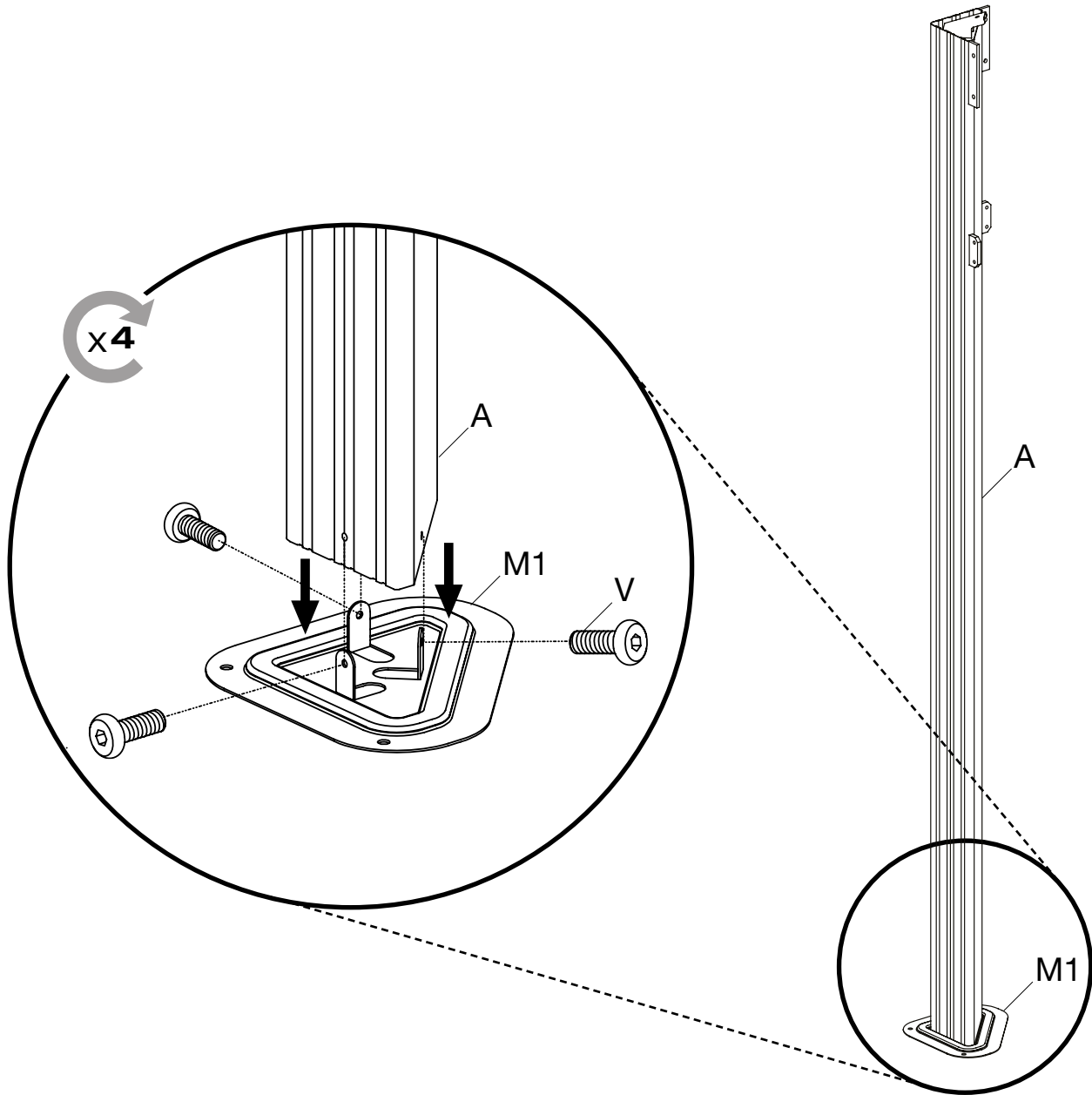




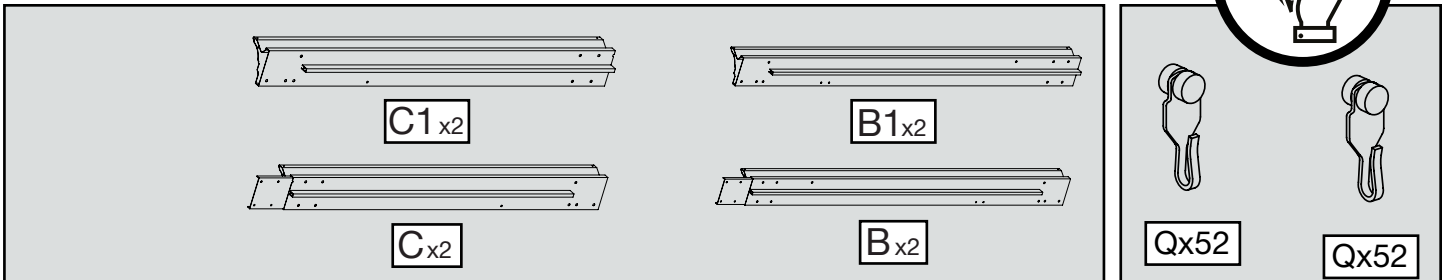
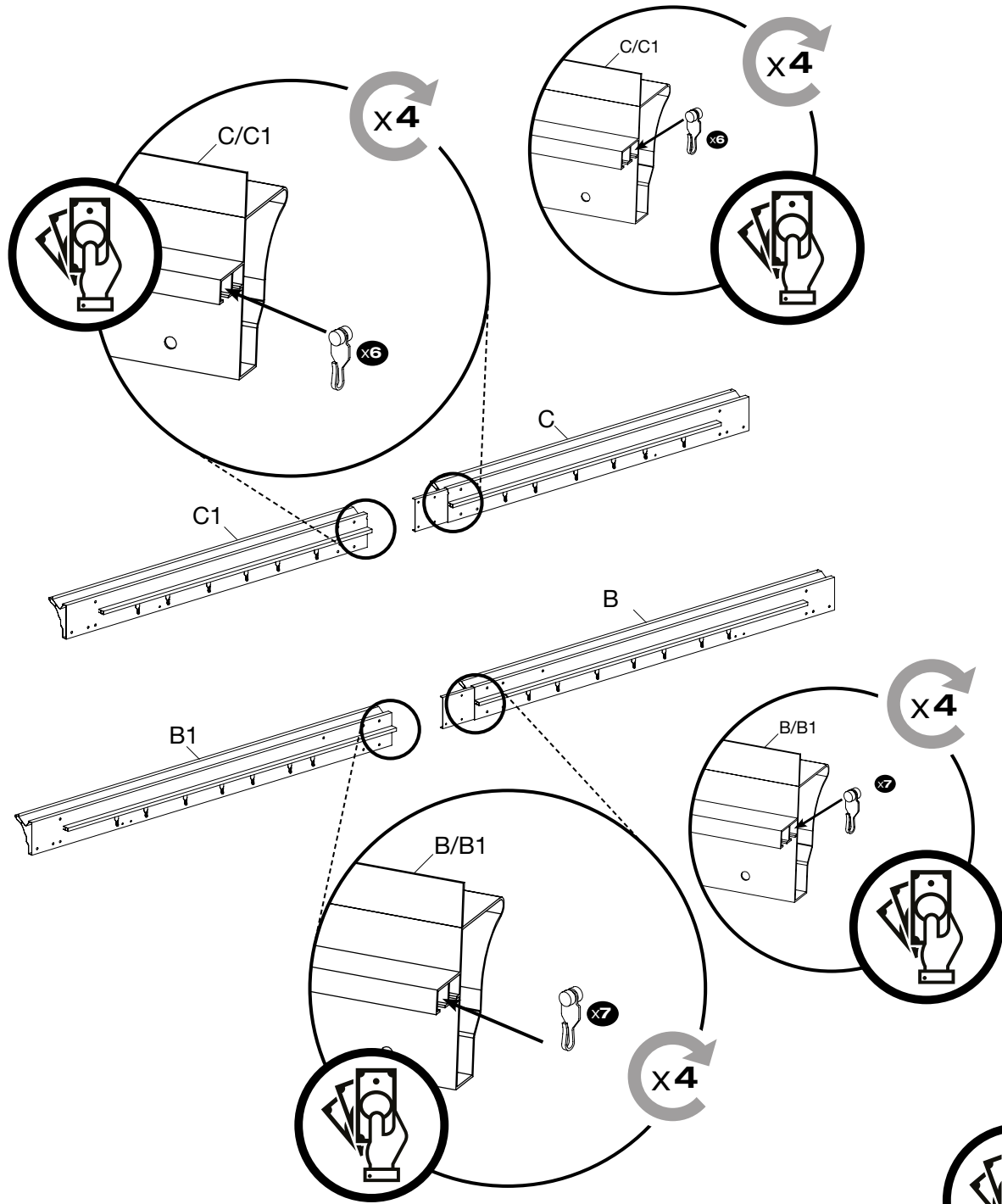


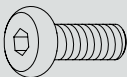
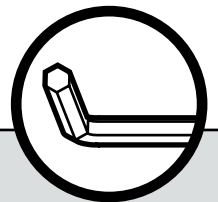
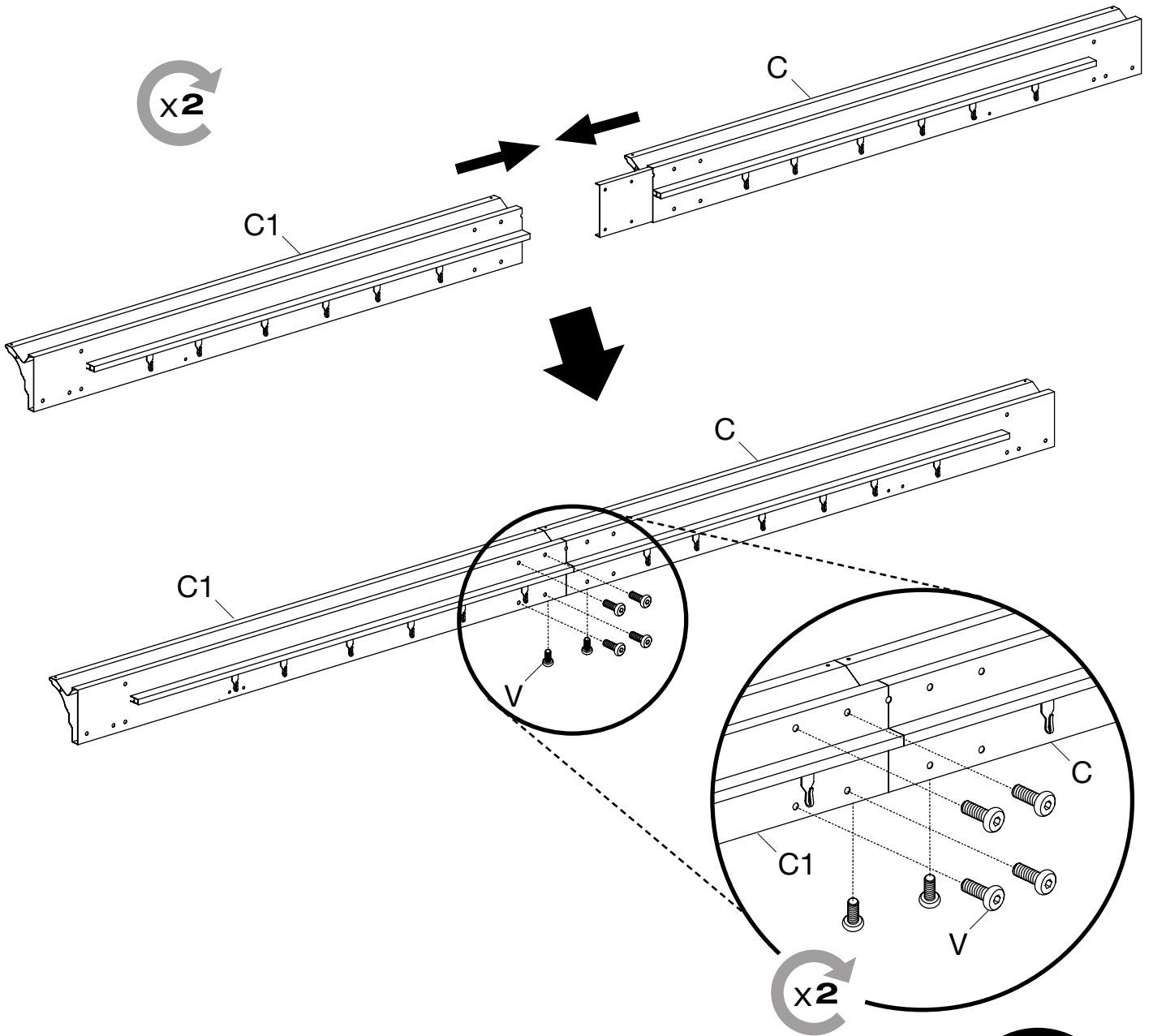




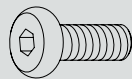
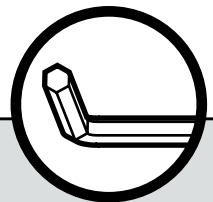
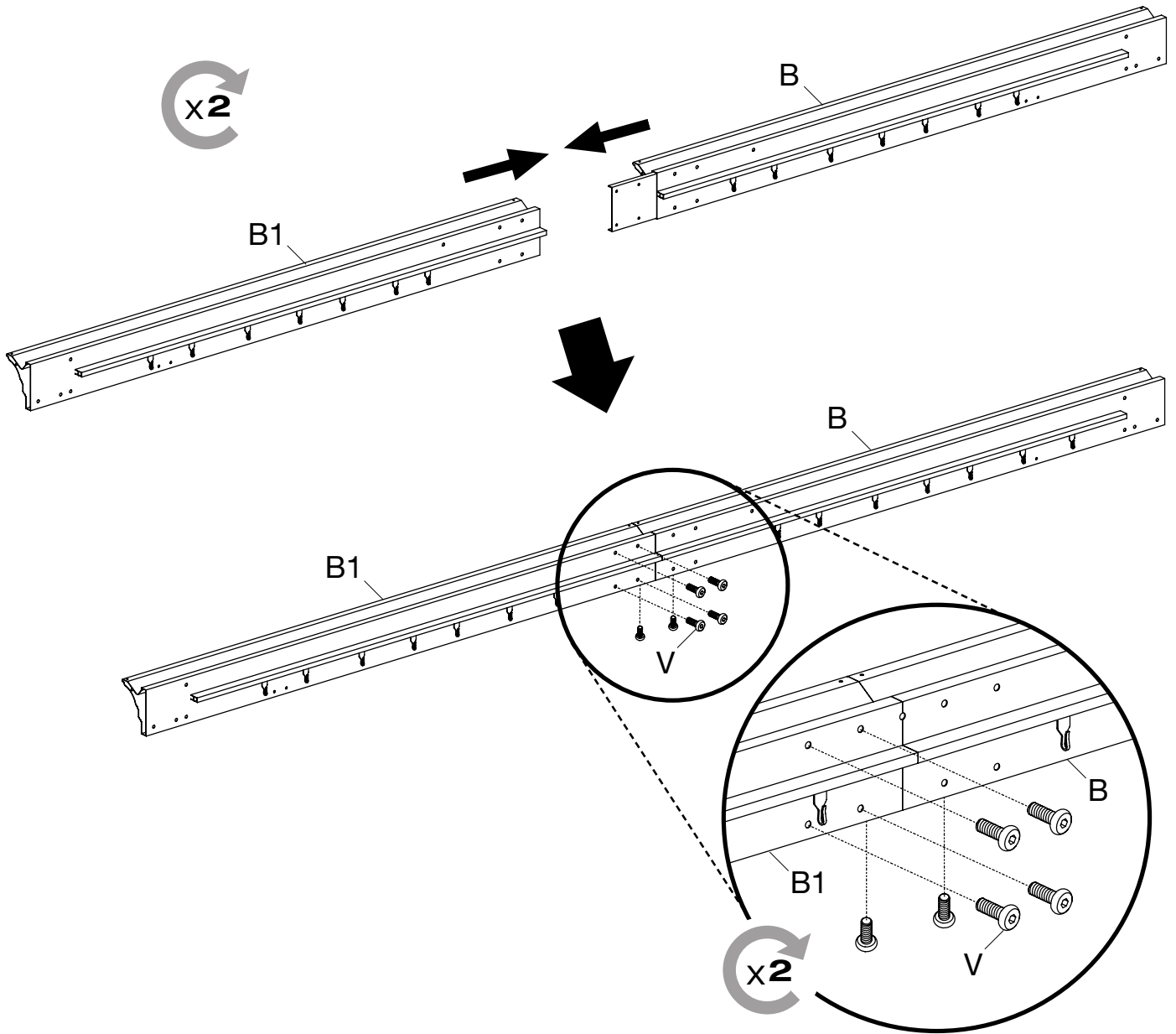




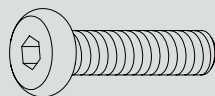
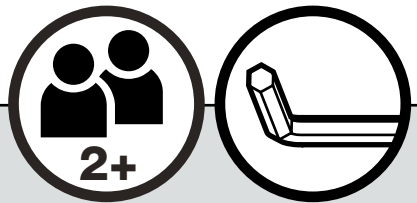
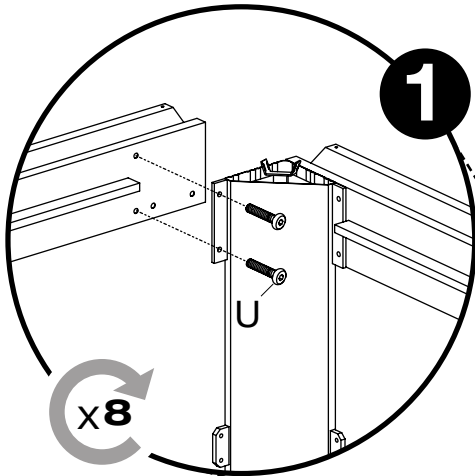
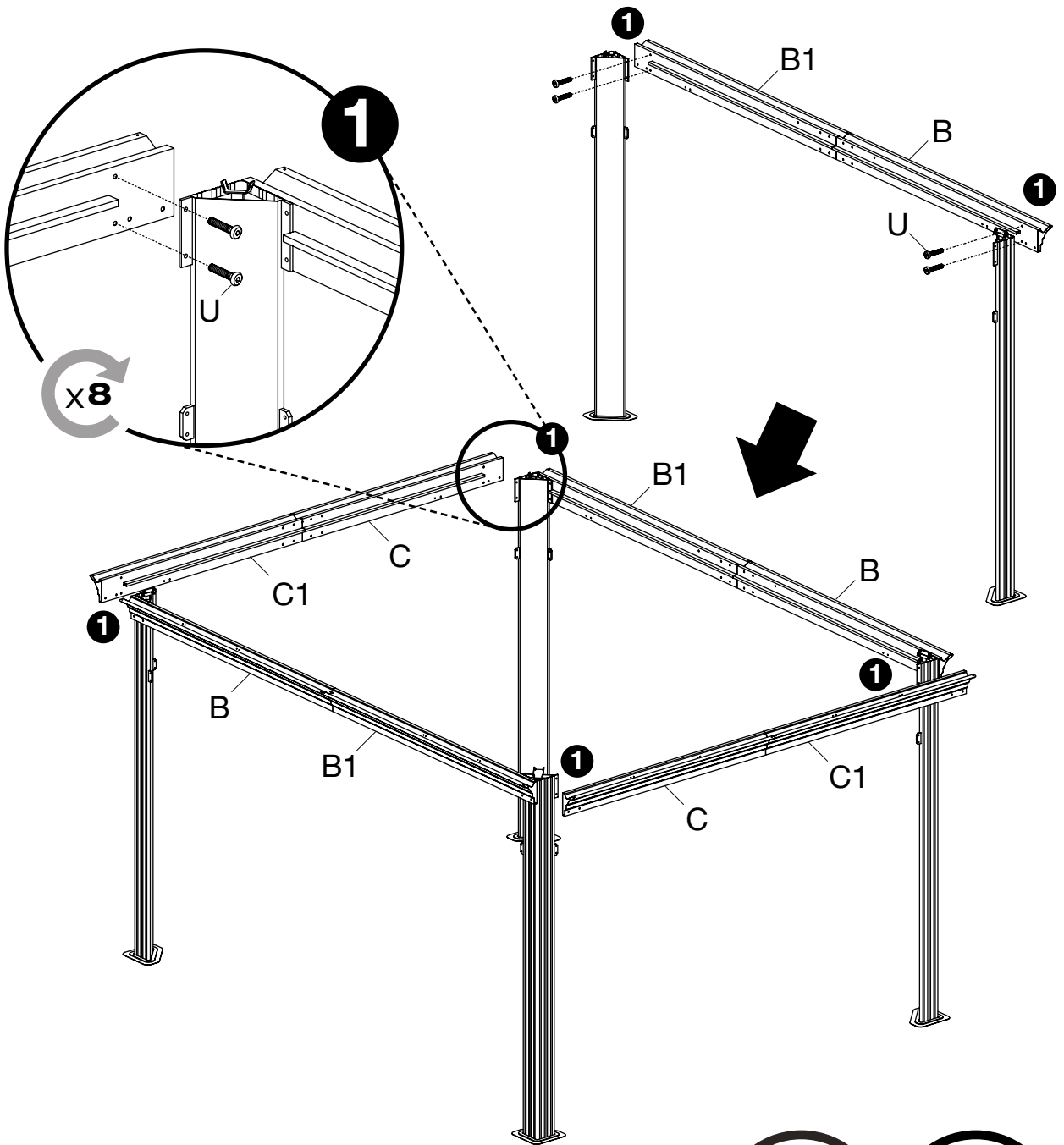




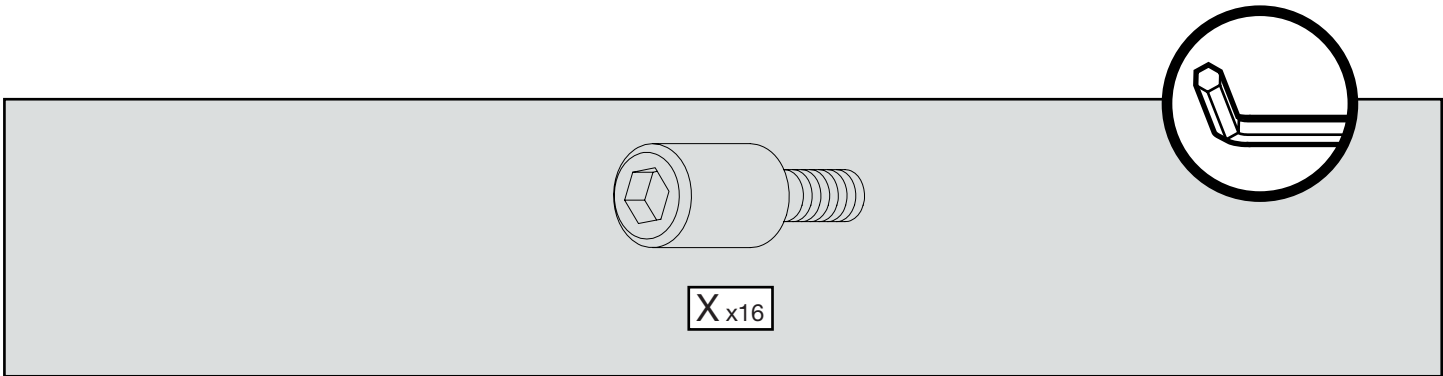
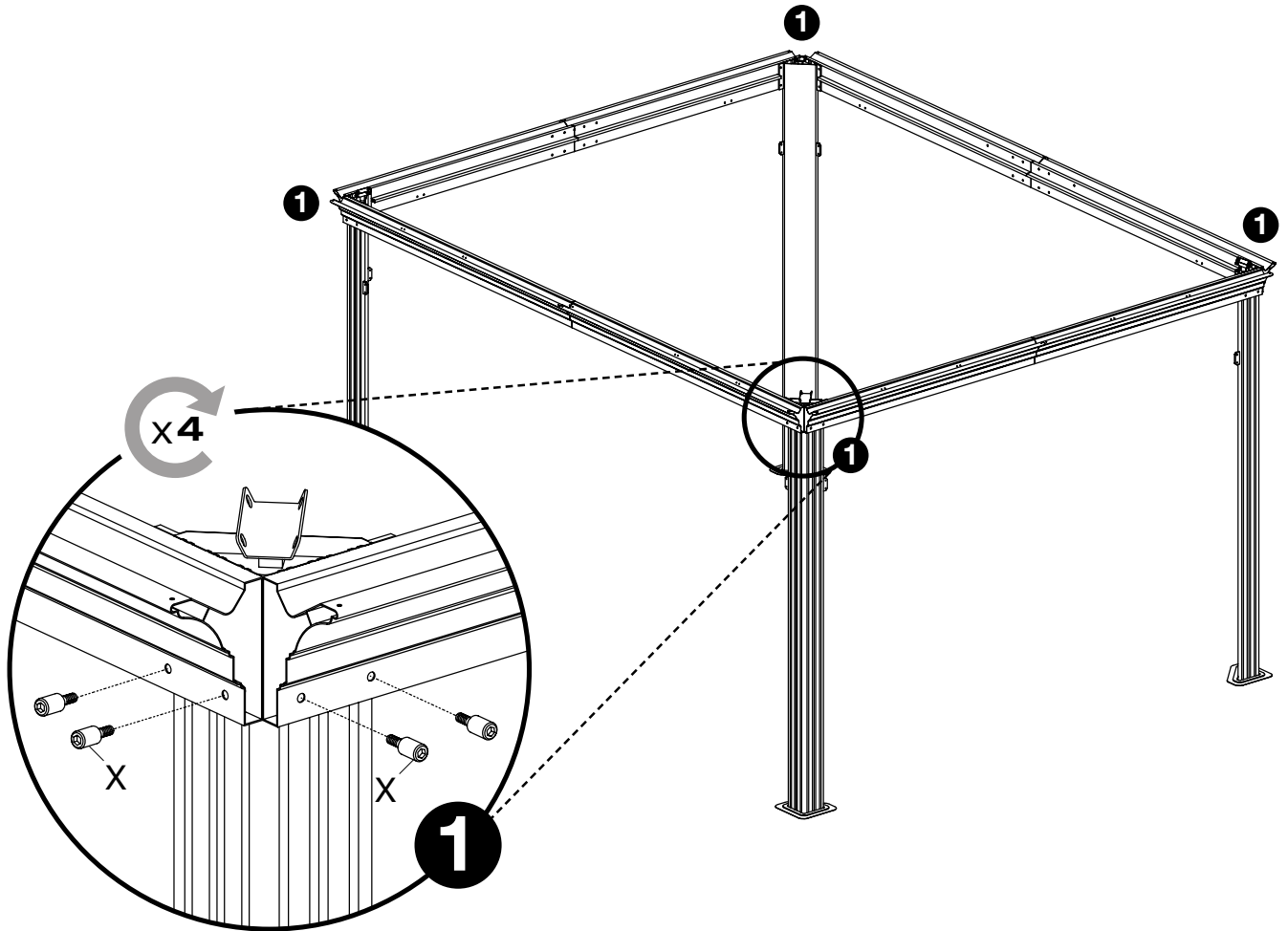
V x12

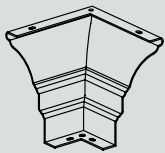
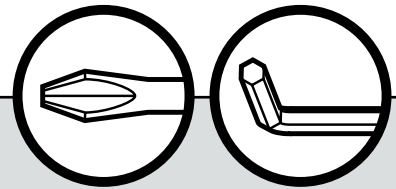
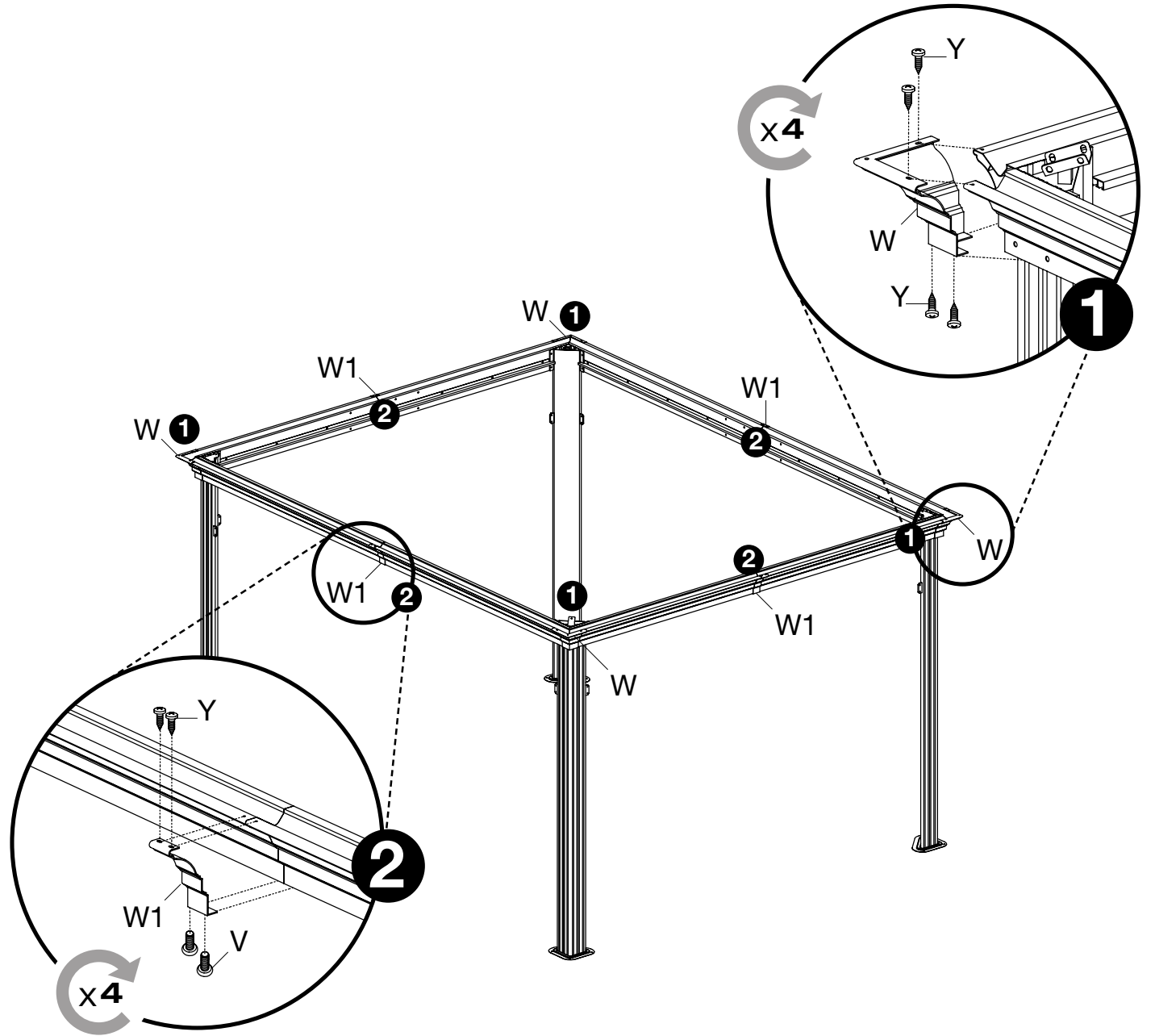


V x12

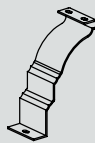


U<sub>x16</sub>

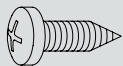




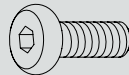
W<sub>x4</sub>



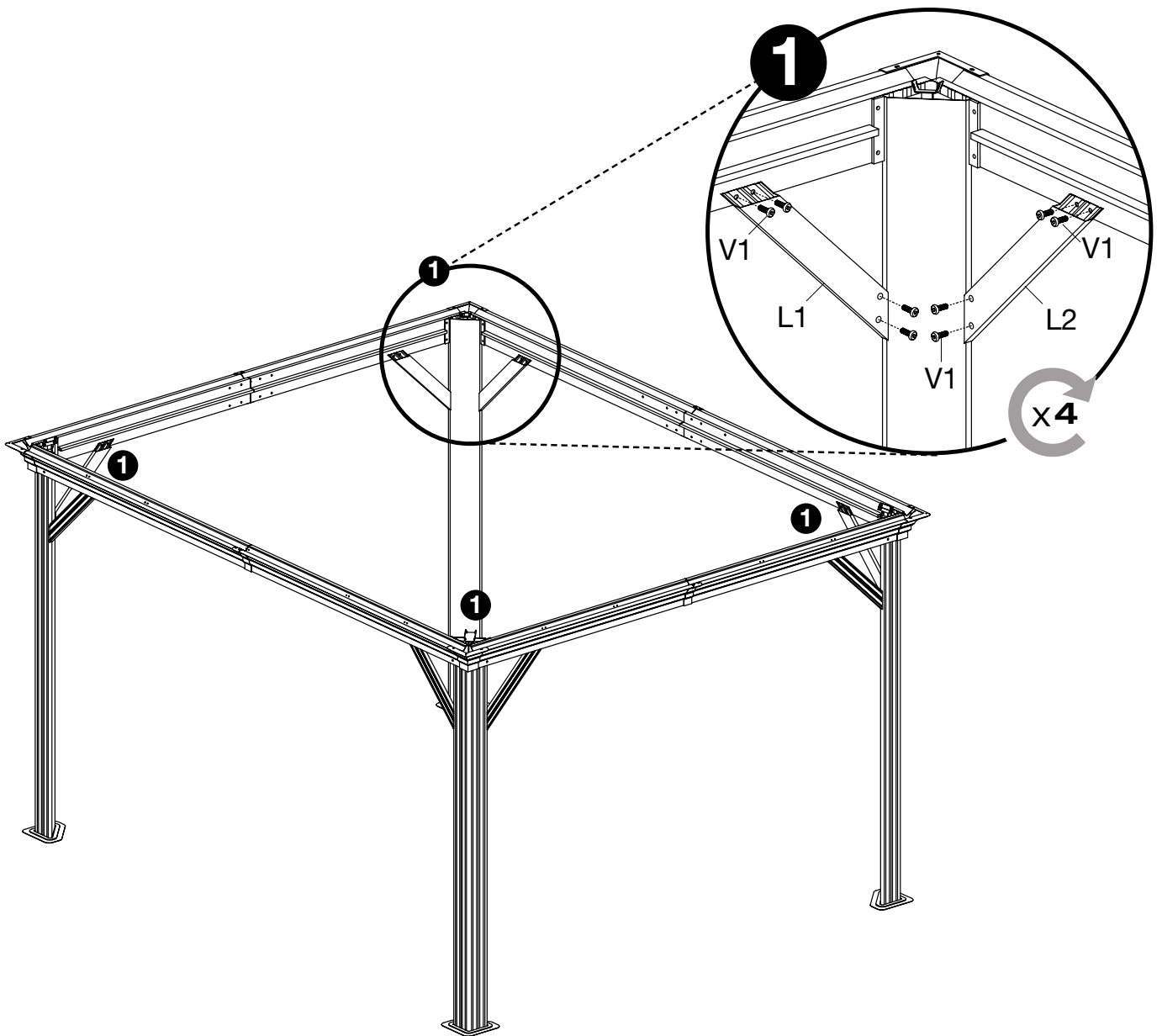
W1<sub>x4</sub>



Y<sub>x24</sub>

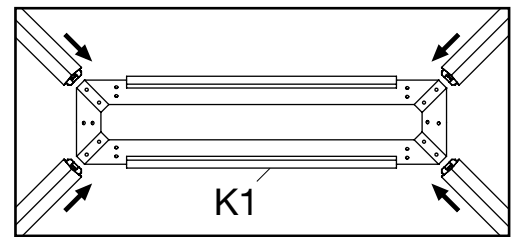
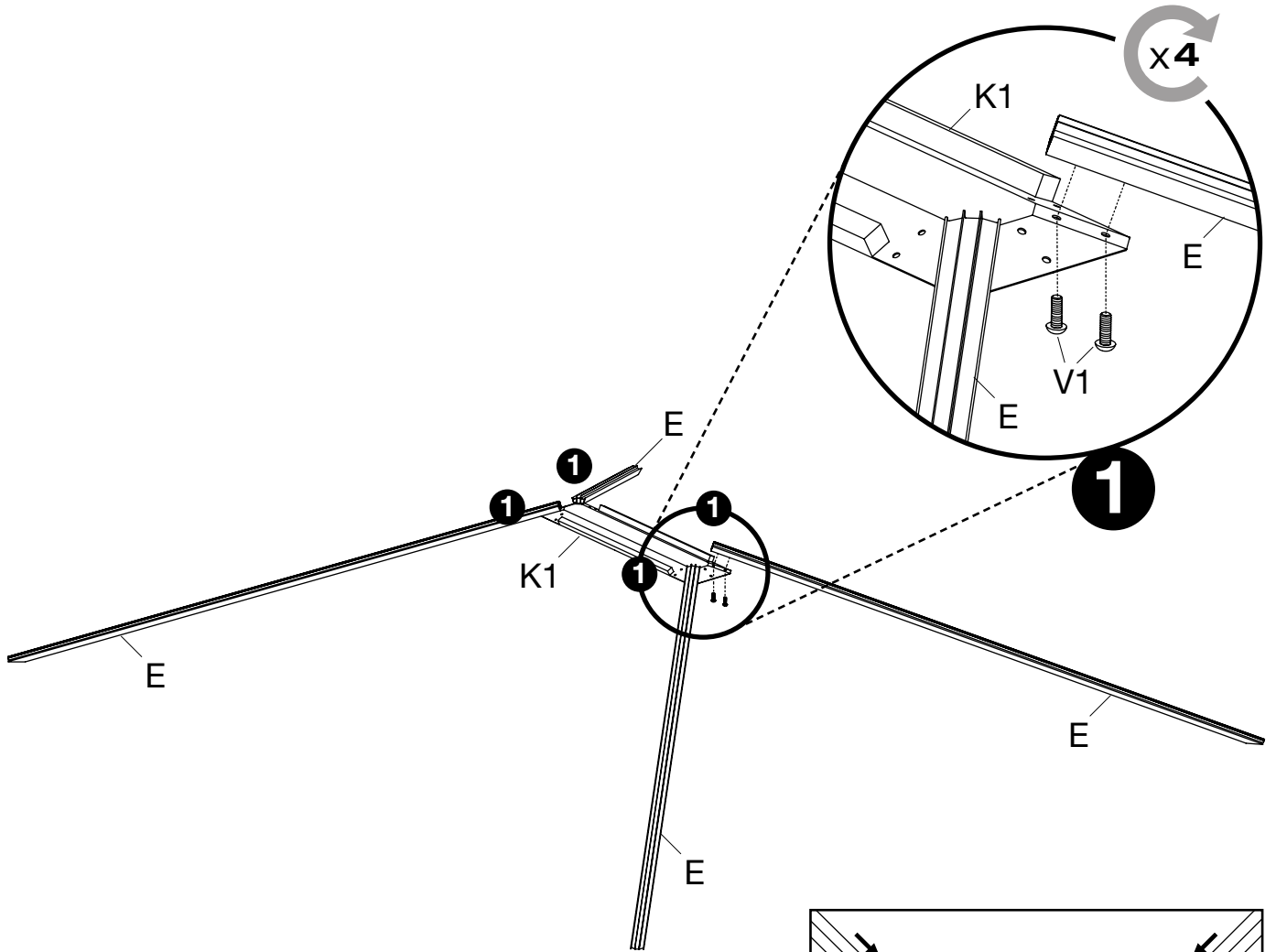


V<sub>x8</sub>

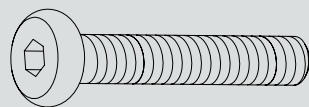
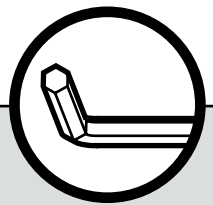
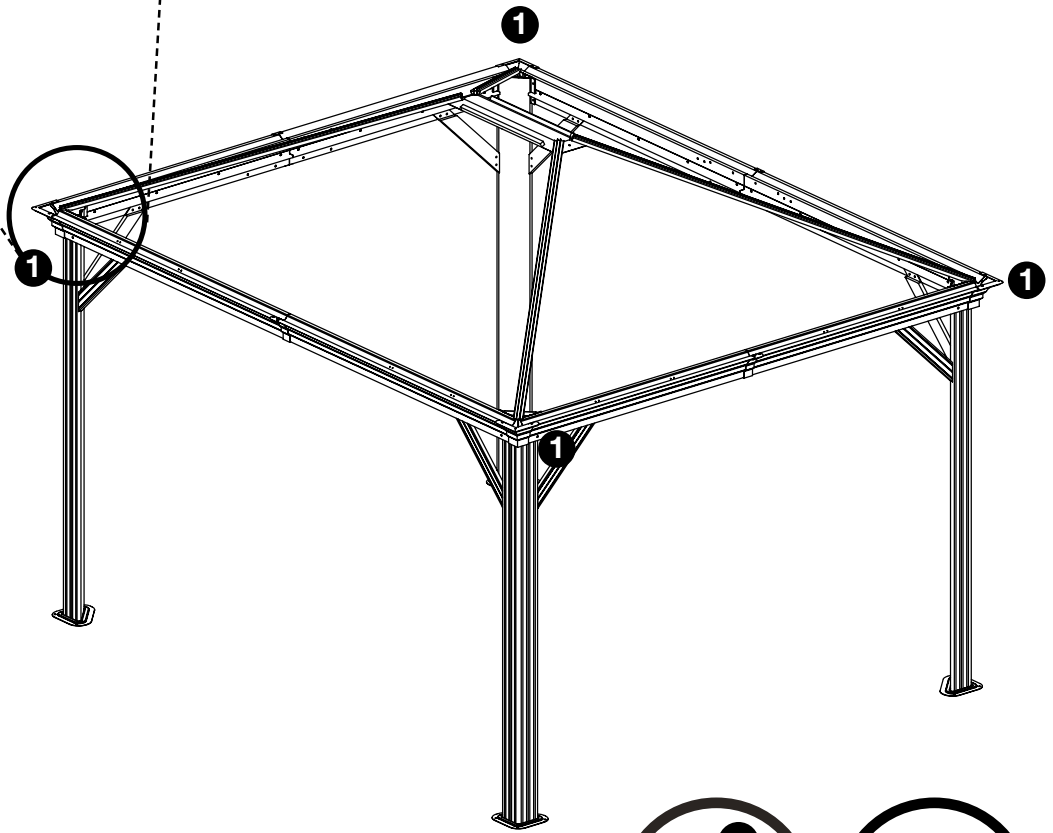
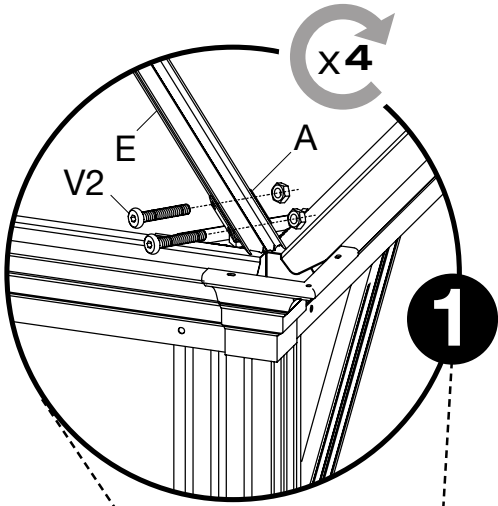


This section displays the parts required for the assembly step. It includes:

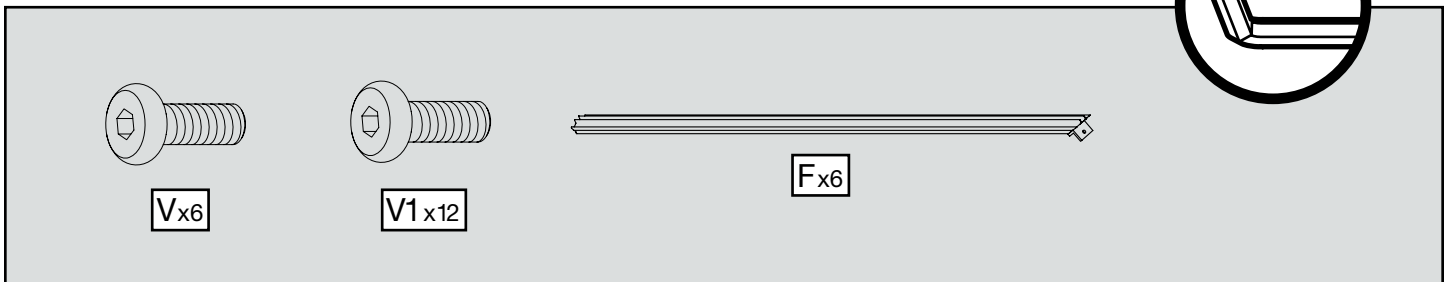
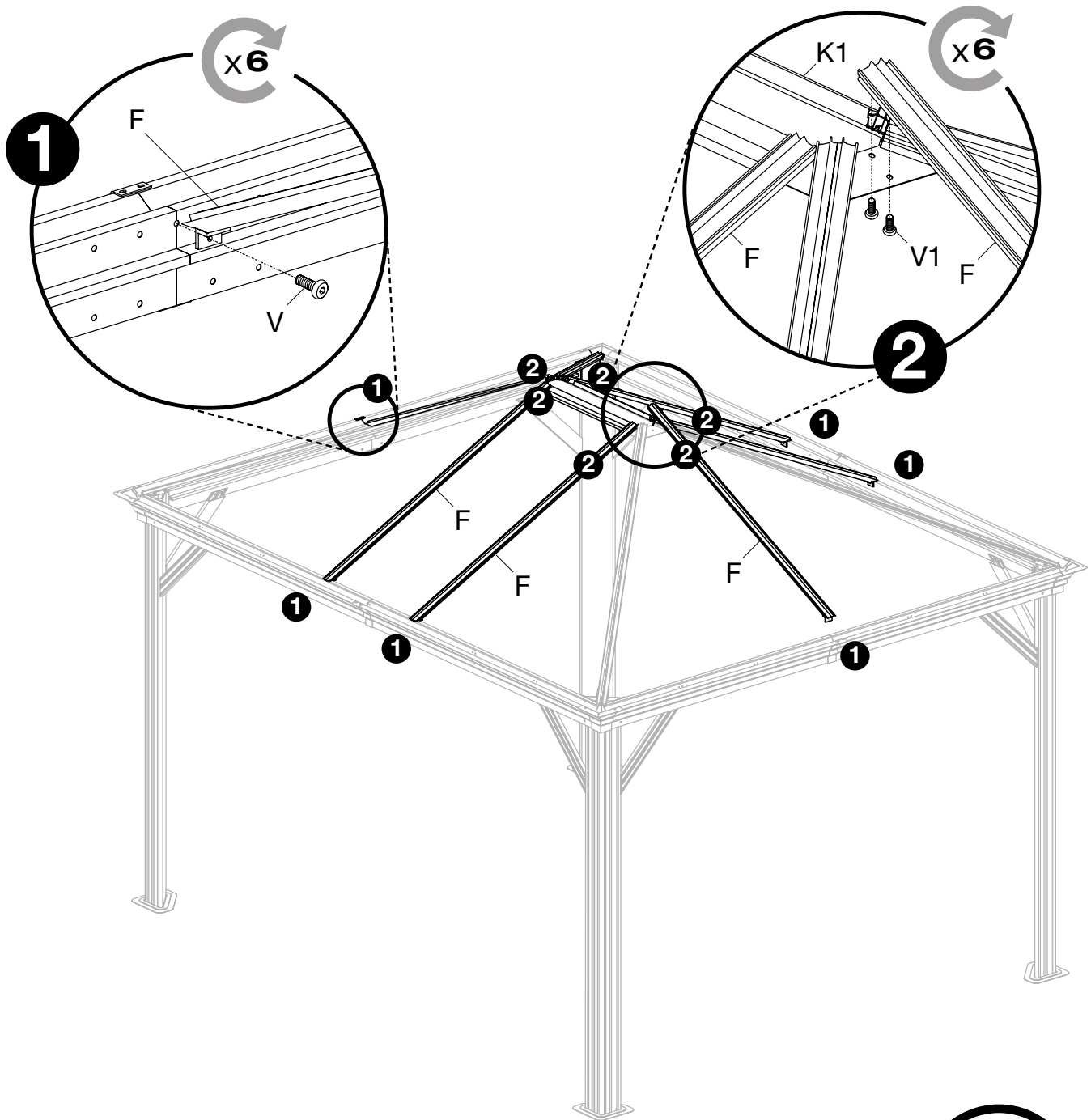
- A rectangular plate labeled **L1x4**.
- A trapezoidal plate labeled **L2x4**.
- A screw labeled **V1x32**.
- A circular inset showing a corner bracket.

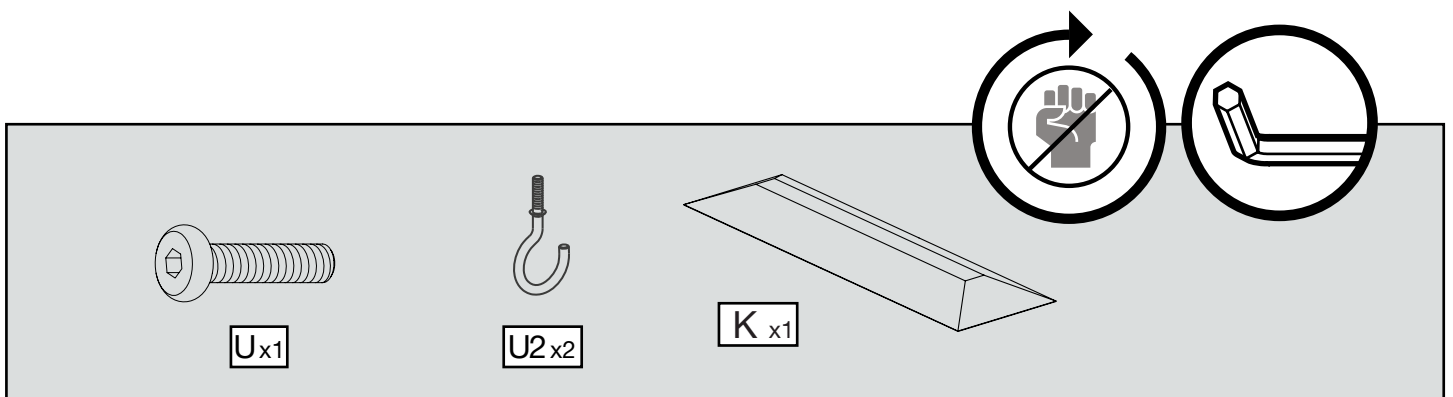
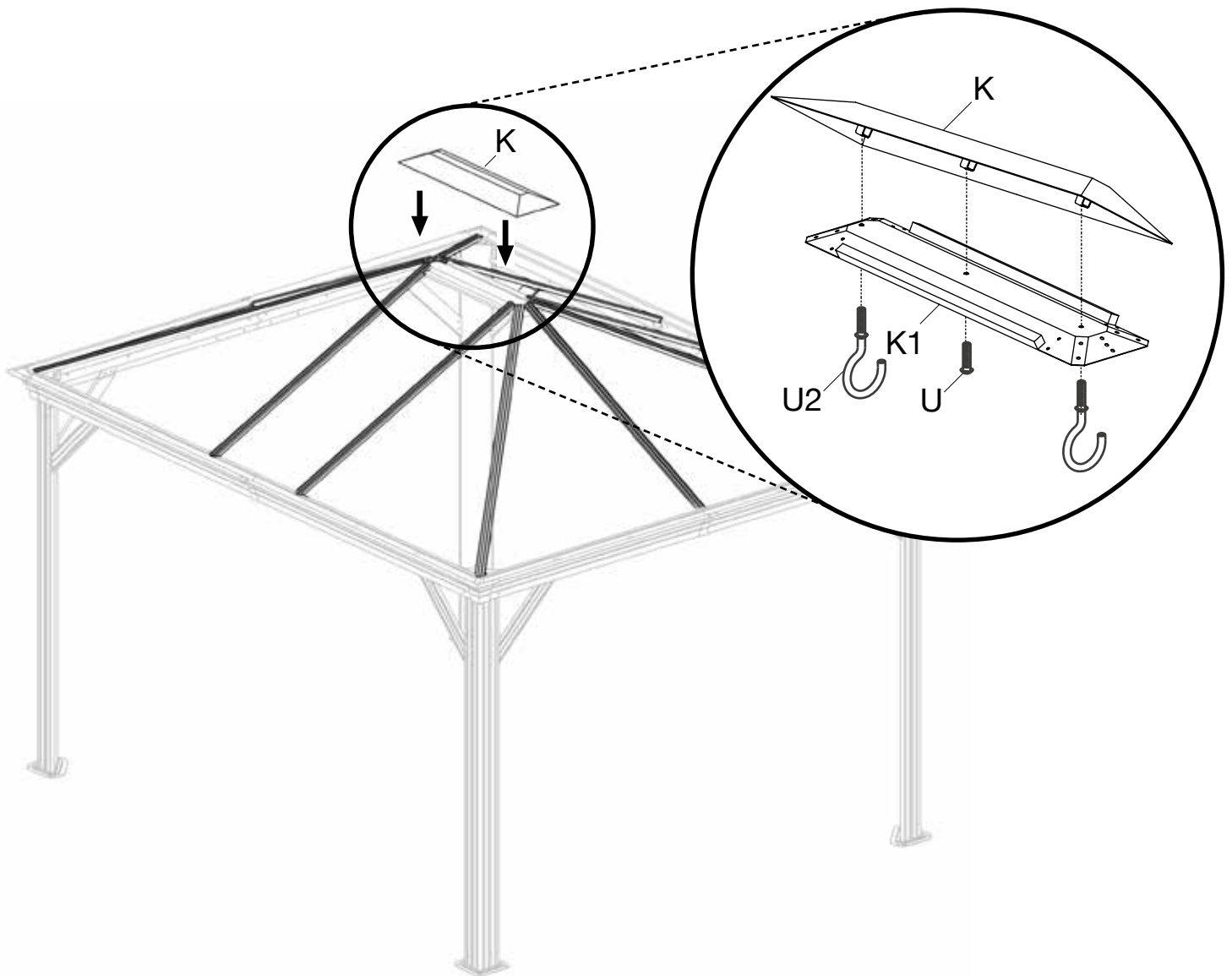


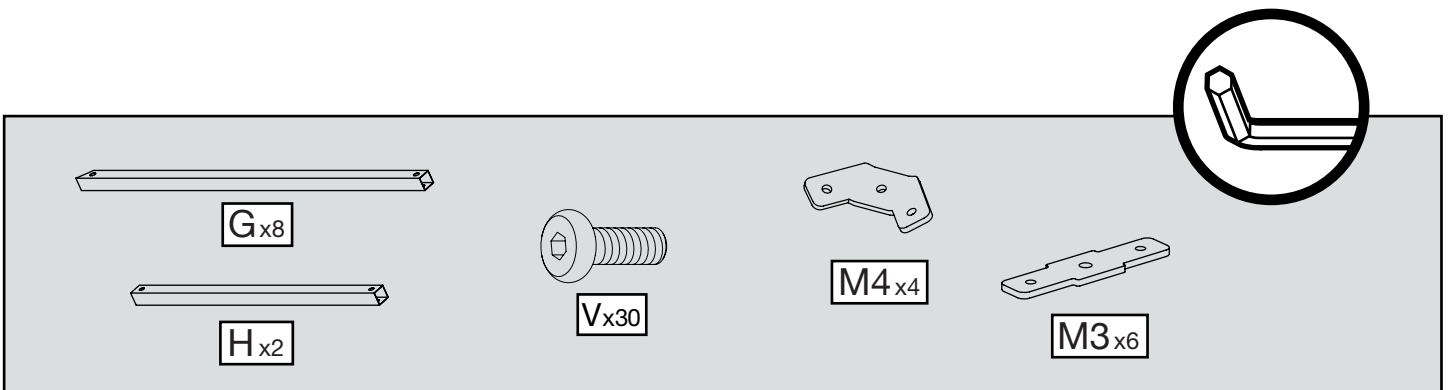
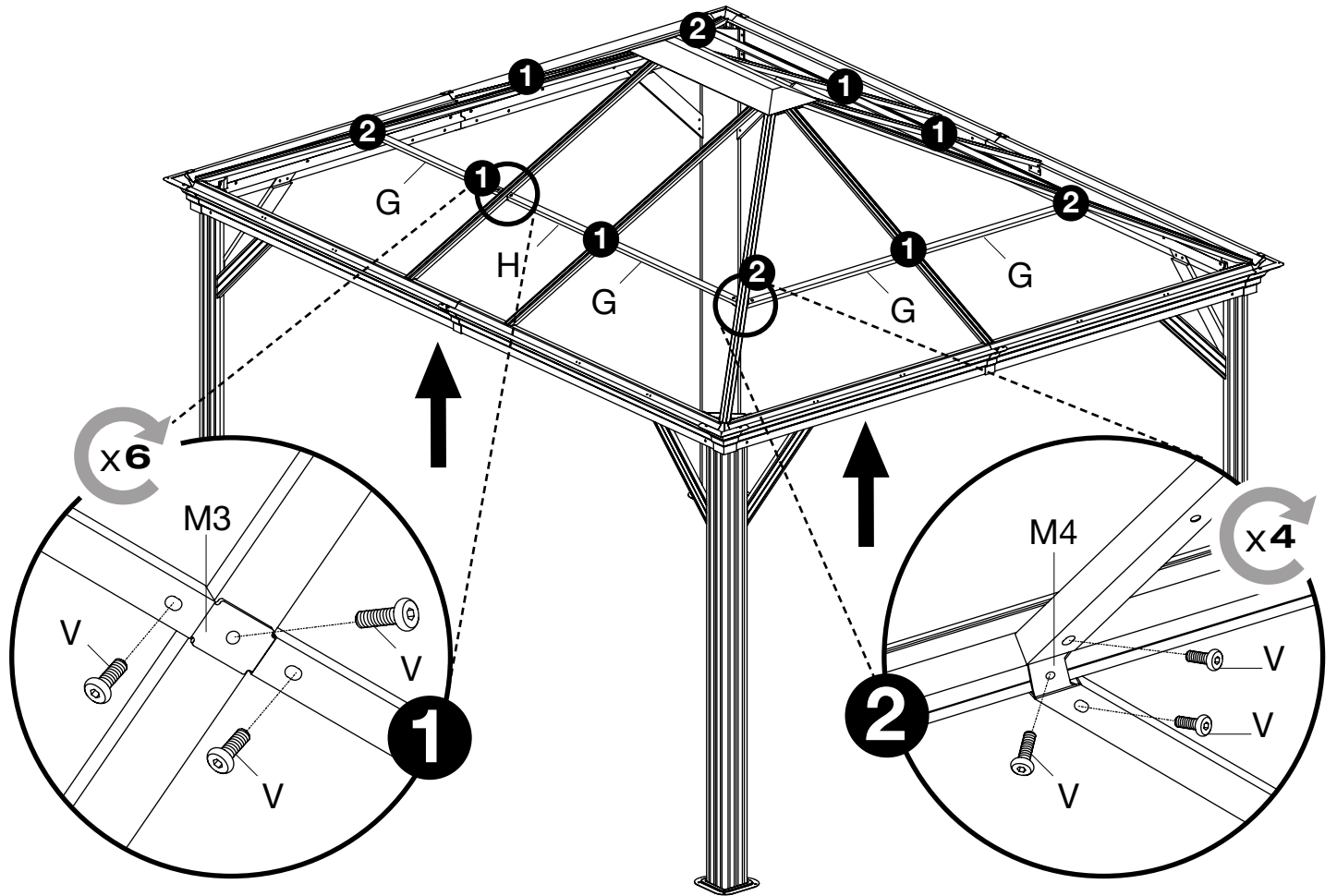


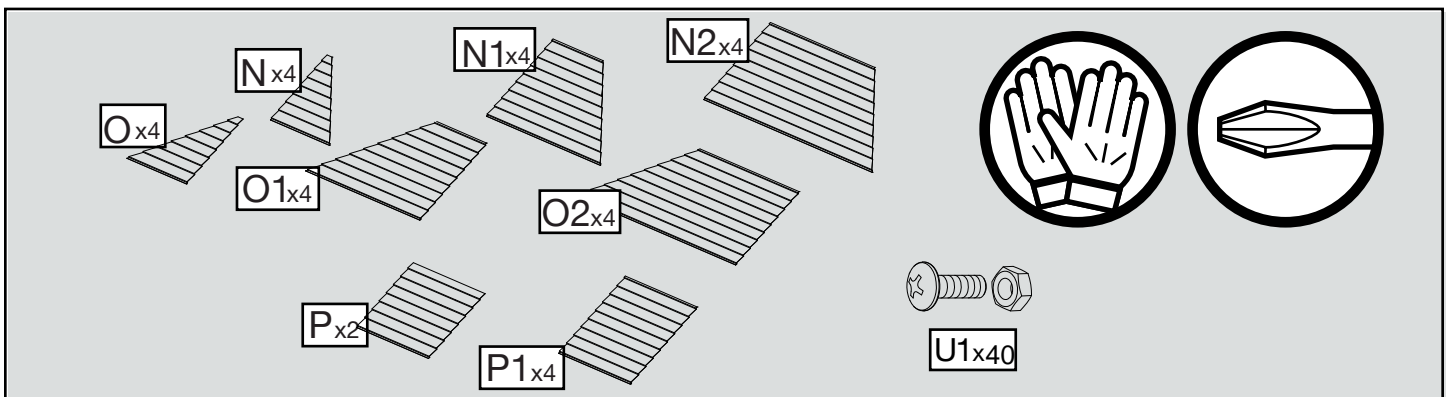
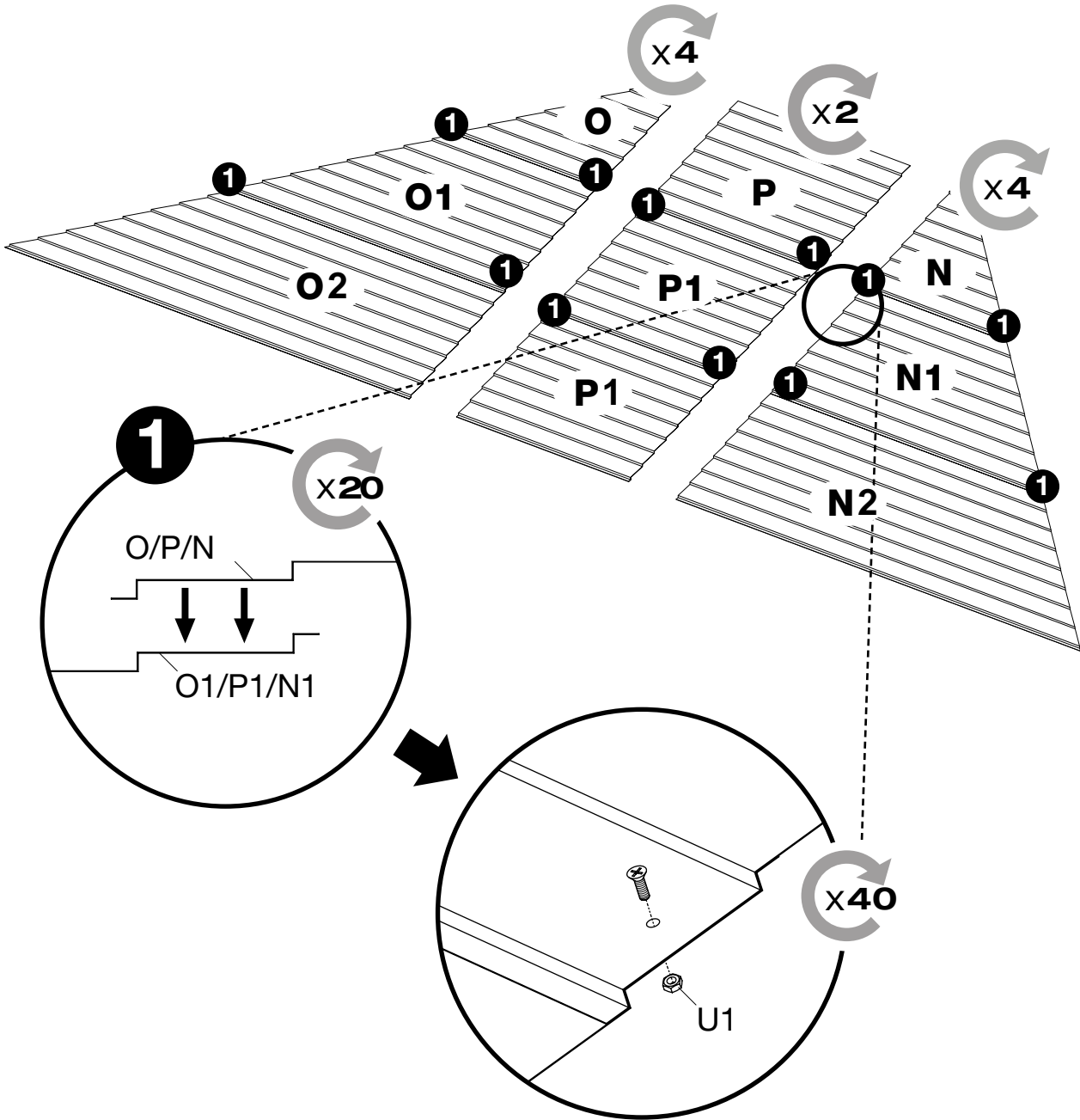


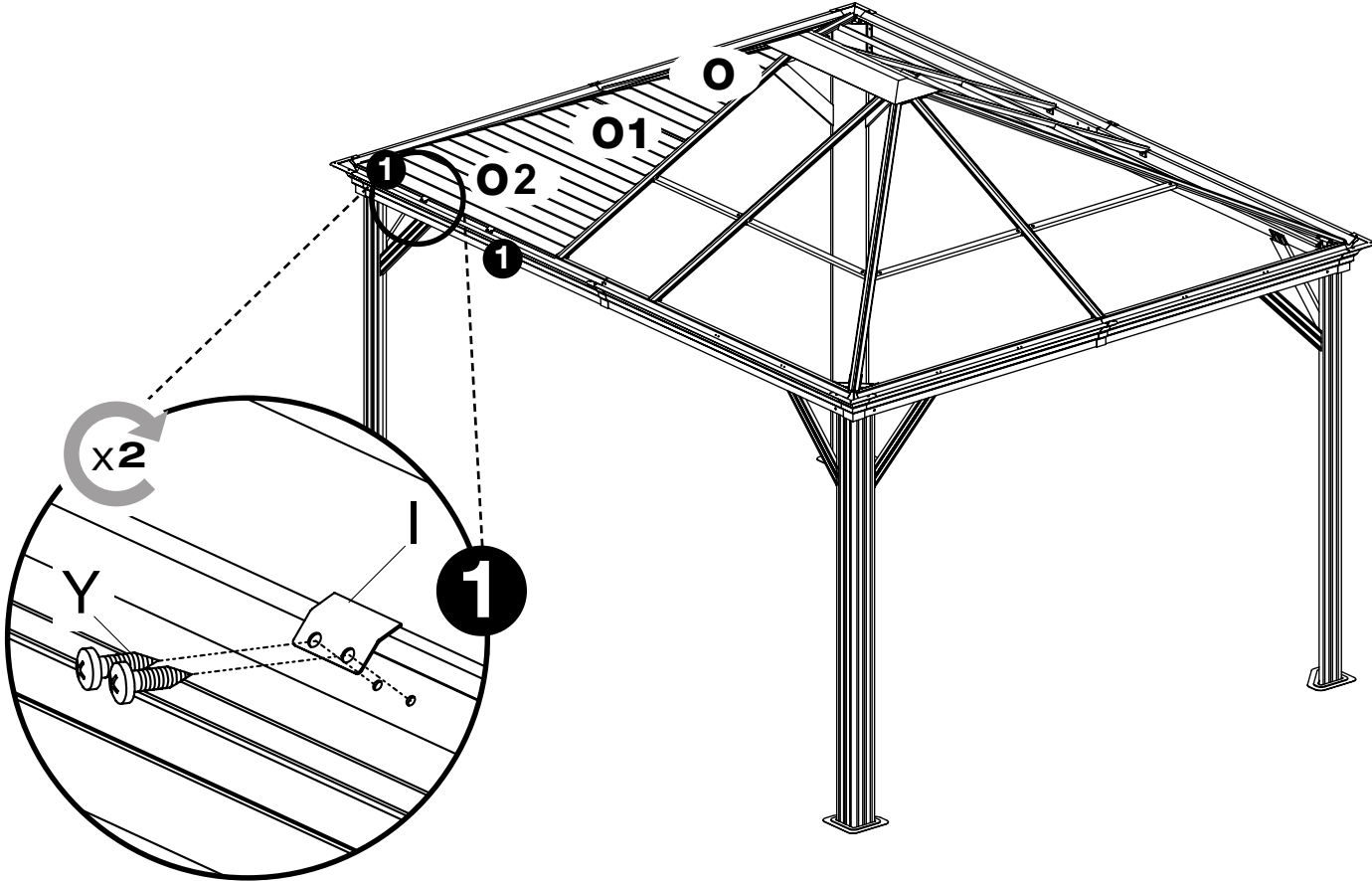
V2x8



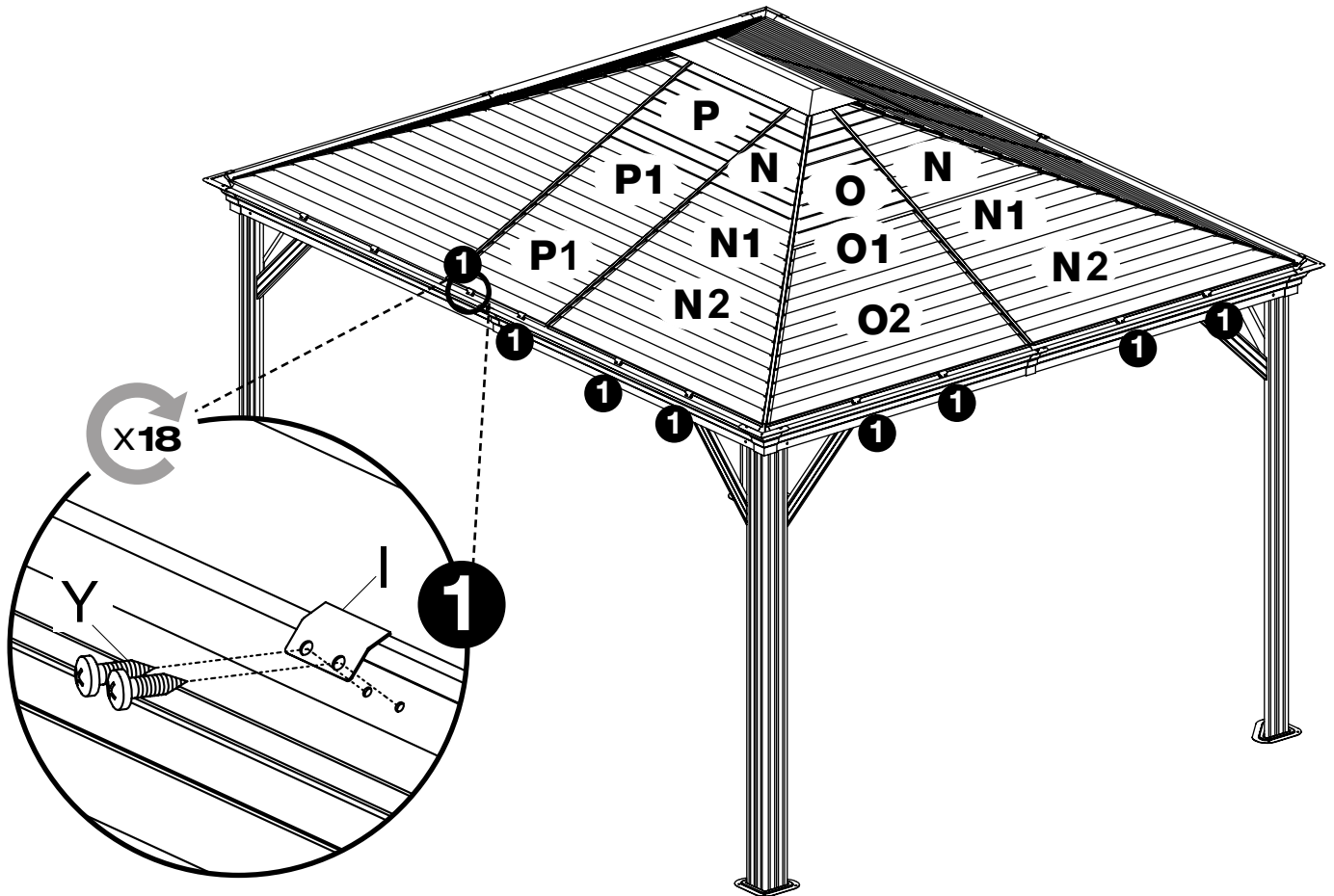




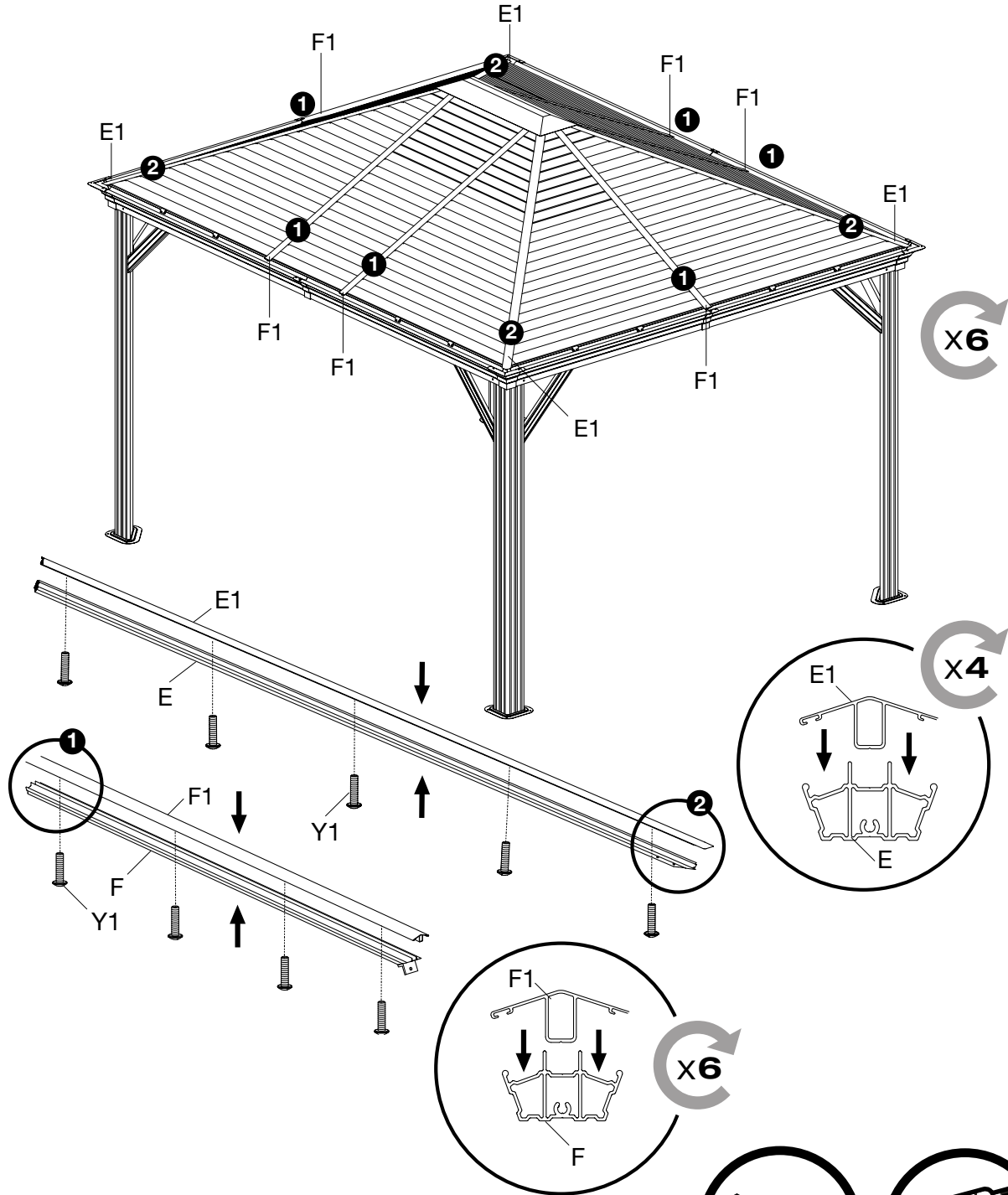




This section contains the parts list and tool requirements for the assembly step. It includes a bracket labeled 'I x2', a screw labeled 'Y x4', a circular icon with two people and '2+' indicating the number of people required, and a circular icon of a screwdriver.



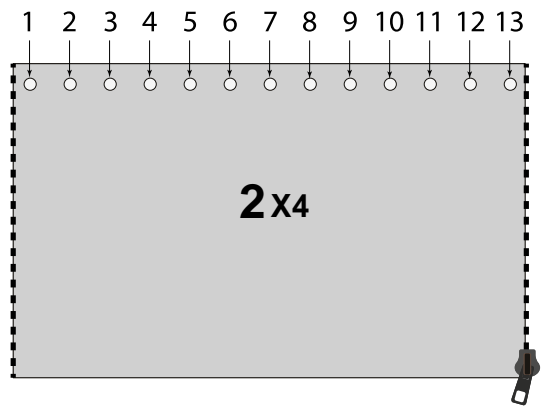
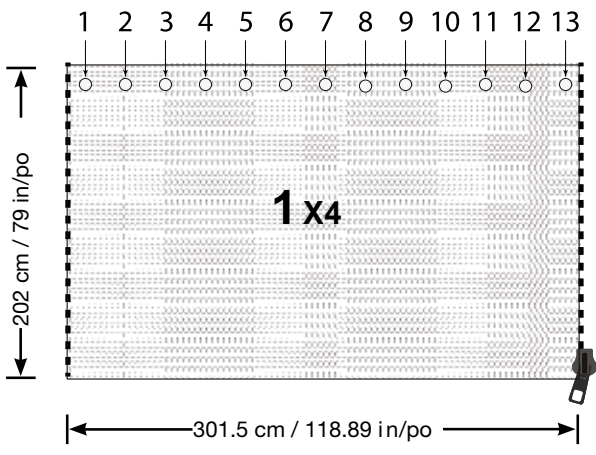
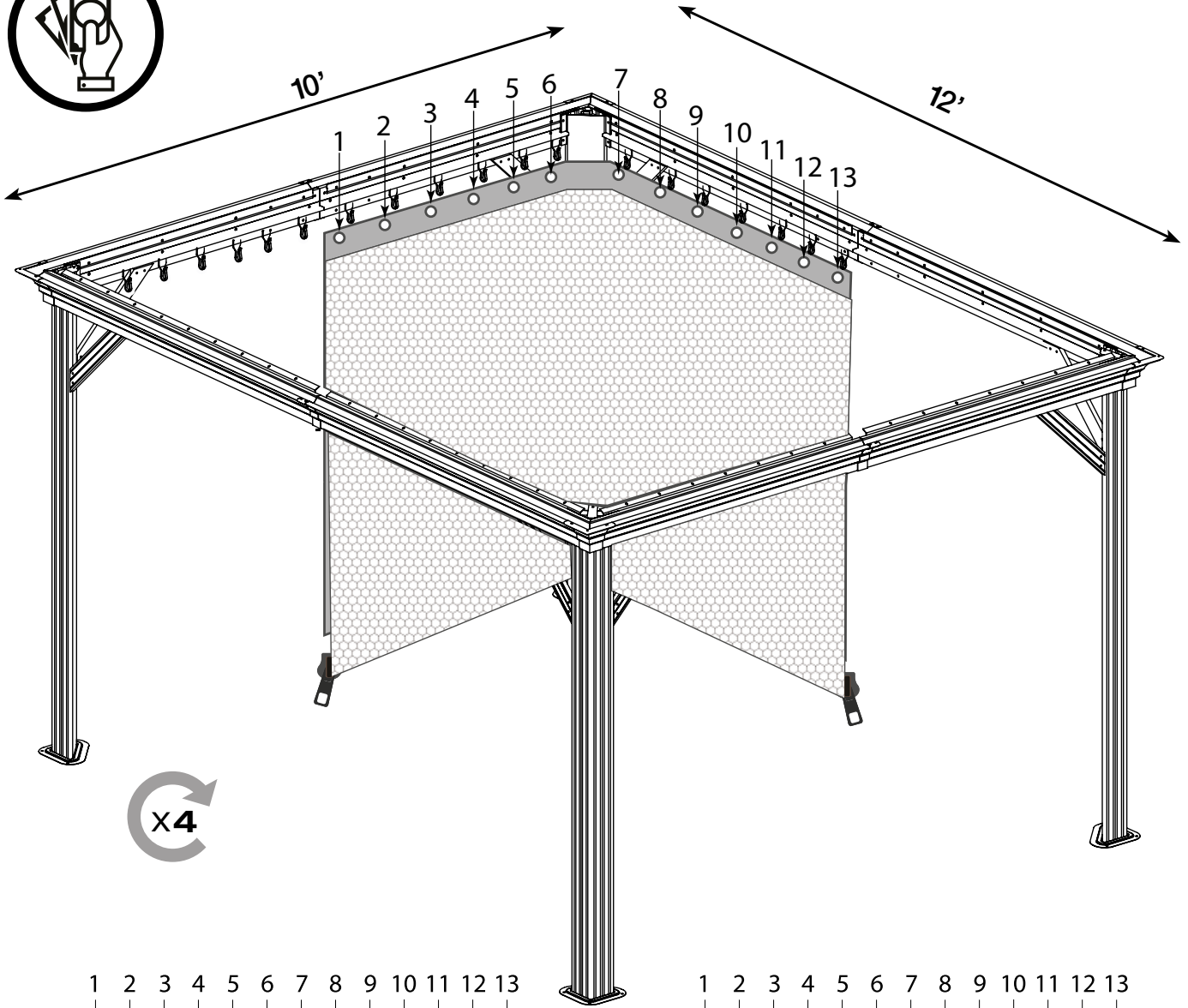
This section contains the parts list and icons for the assembly step. On the left, there is a small rectangular plate with two holes, labeled 'x18'. Next to it is a screw with a cross-shaped head, labeled 'Yx36'. To the right of the parts list are two circular icons: one showing two people and the number '2+', indicating that two or more people are required for this step; the other showing a screwdriver, indicating the tool needed for the assembly.



Parts list and tool icons for step 17/18:

- Screw: **Y1x44**
- Long thin bar: **E1x4**
- Shorter bar: **F1x6**
- Tools: Pencil and Power Drill









**SOJAG** ■ I  
produits saisonniers • seasonal products