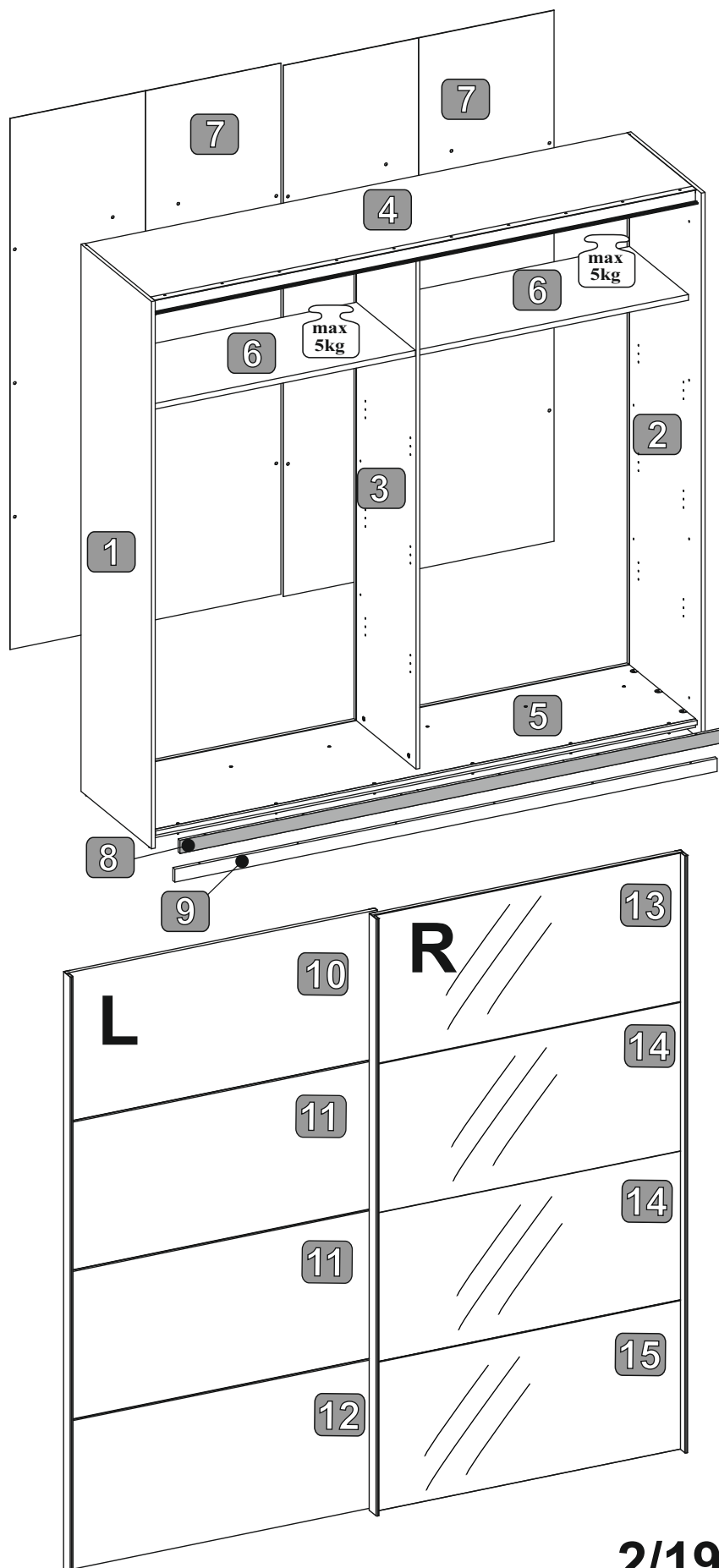
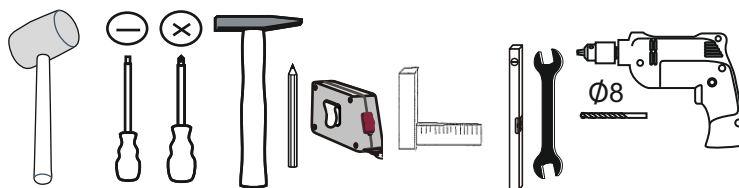
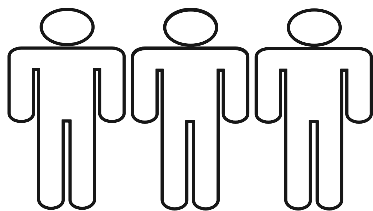


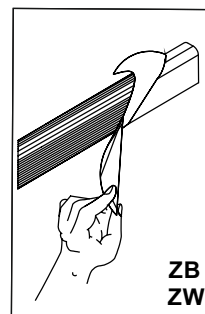
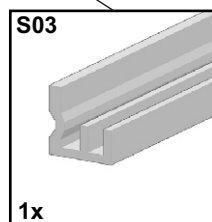
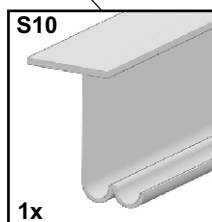
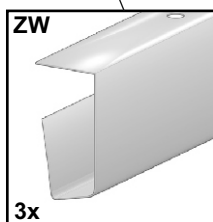
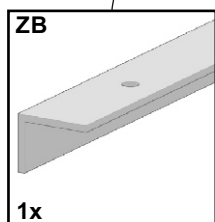
NR	DIM	QTE	COLLI
1	2095x551x15	1	3/6
2	2095x580x15	1	1/6
3	2014x485x15	1	1/6
4	2120x535x15	1	2/6
5	2120x535x15	1	2/6
6	1052,2x461x22	2	3/6
7	2033x1059x2	2	1/6
8	2120x50x15	1	3/6
9	2120x50x15	1	3/6
10	1090x512,5x15	1	4/6
11	1090x512,5x15	2	5/6
12	1090x512,5x15	1	4/6
13	1090x512,5x19	1	4/6
14	1090x512,5x19	2	5/6
15	1090x512,5x19	1	4/6





20x T05	20x T04	1x K01	12x W16	12x C02	4x T02	4x T01	
4x D01	28x R01	16x R02	16x W20	10x S01	4x E03	2x J01	
142x W02	28x W12	10x W05	2x P-10	2x P-07	1x P-09	1x P-08	
2x F-02	2x P-06	1x G-02	18x W08	6x ZA1	2x P01	4x W07	
2x F01	2x F11	4x C01					

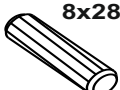




NR	DIM	QTE	COLLI
ZW	L-2050	3	6/6
ZB	L-2050	1	6/6
S10	L-2118	1	6/6
S03	L-2118	1	6/6

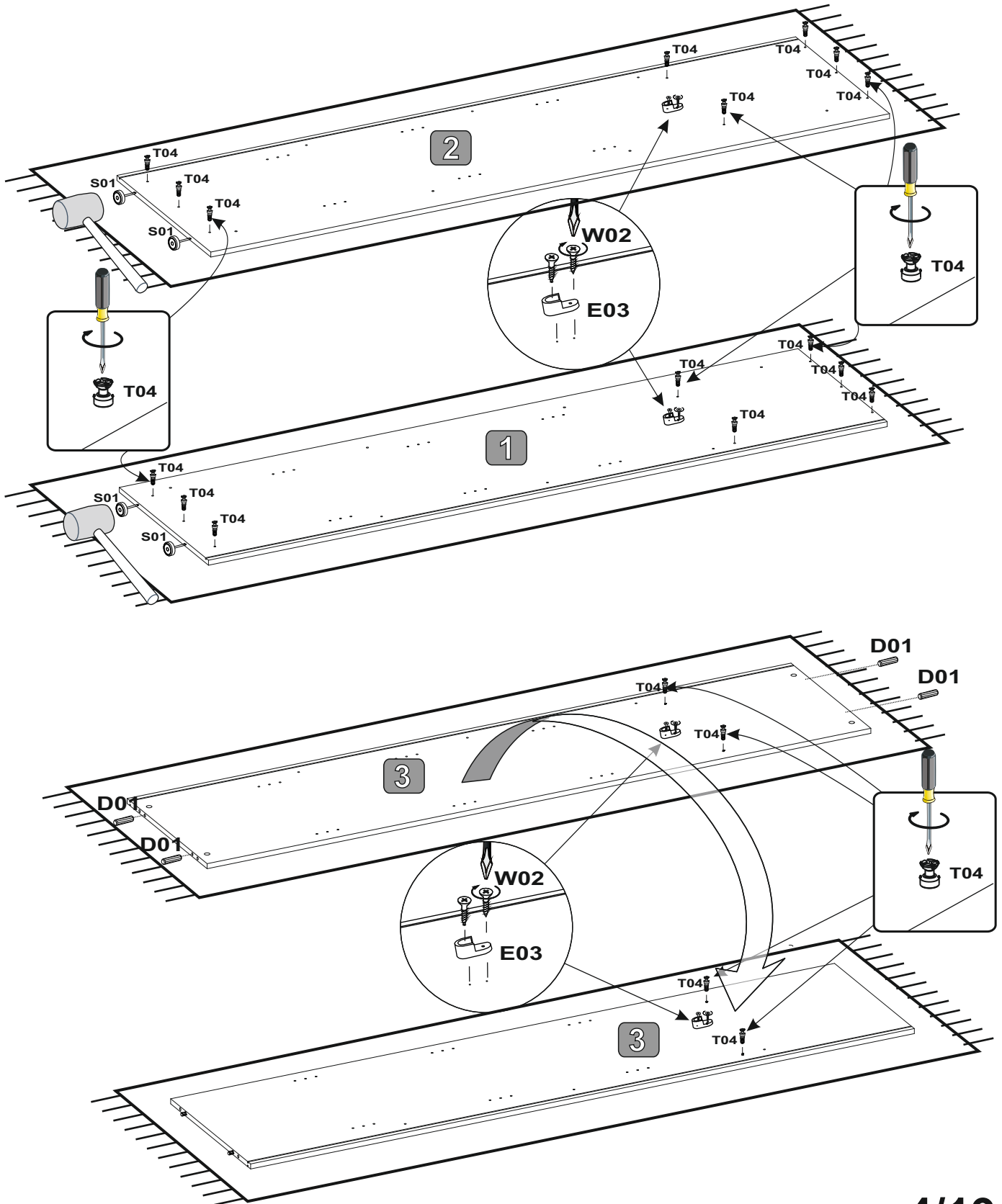


0 10 20 30 40 50 60 70 80 90 100


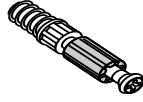



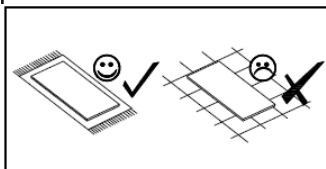
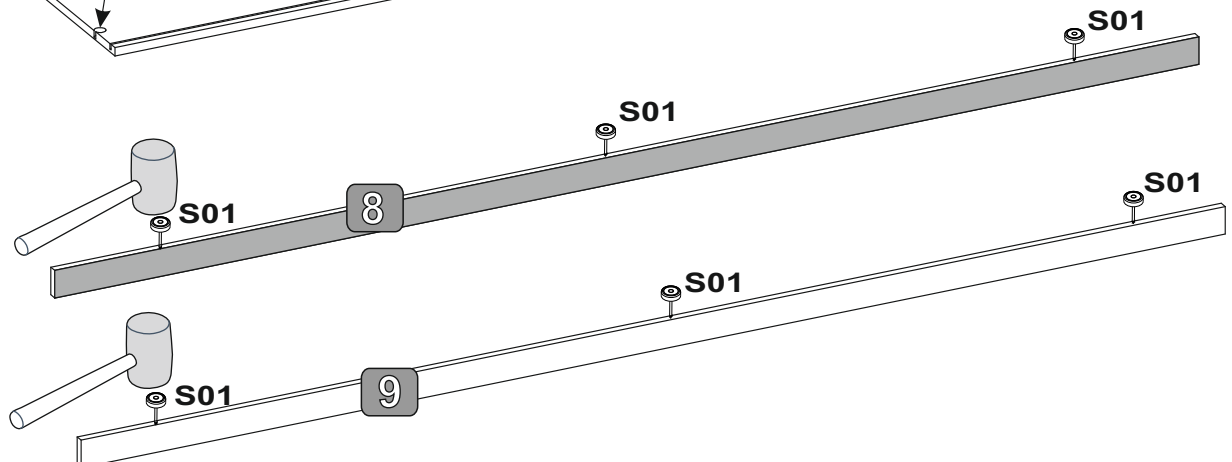
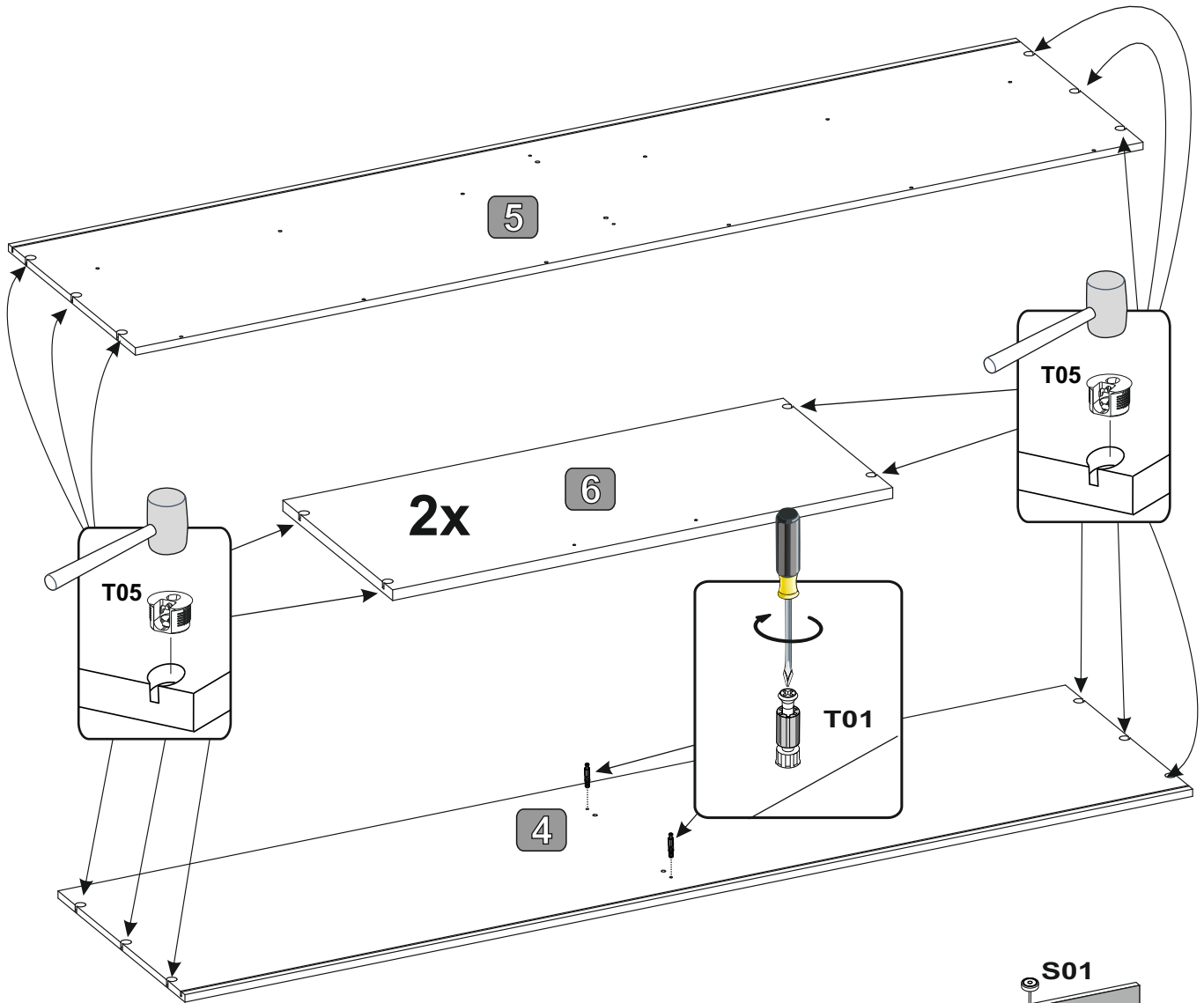
1

 8x28	 S01	 3,5x13	 E03	 T04
4x D01	4x S01	8x W02	4x E03	20x T04

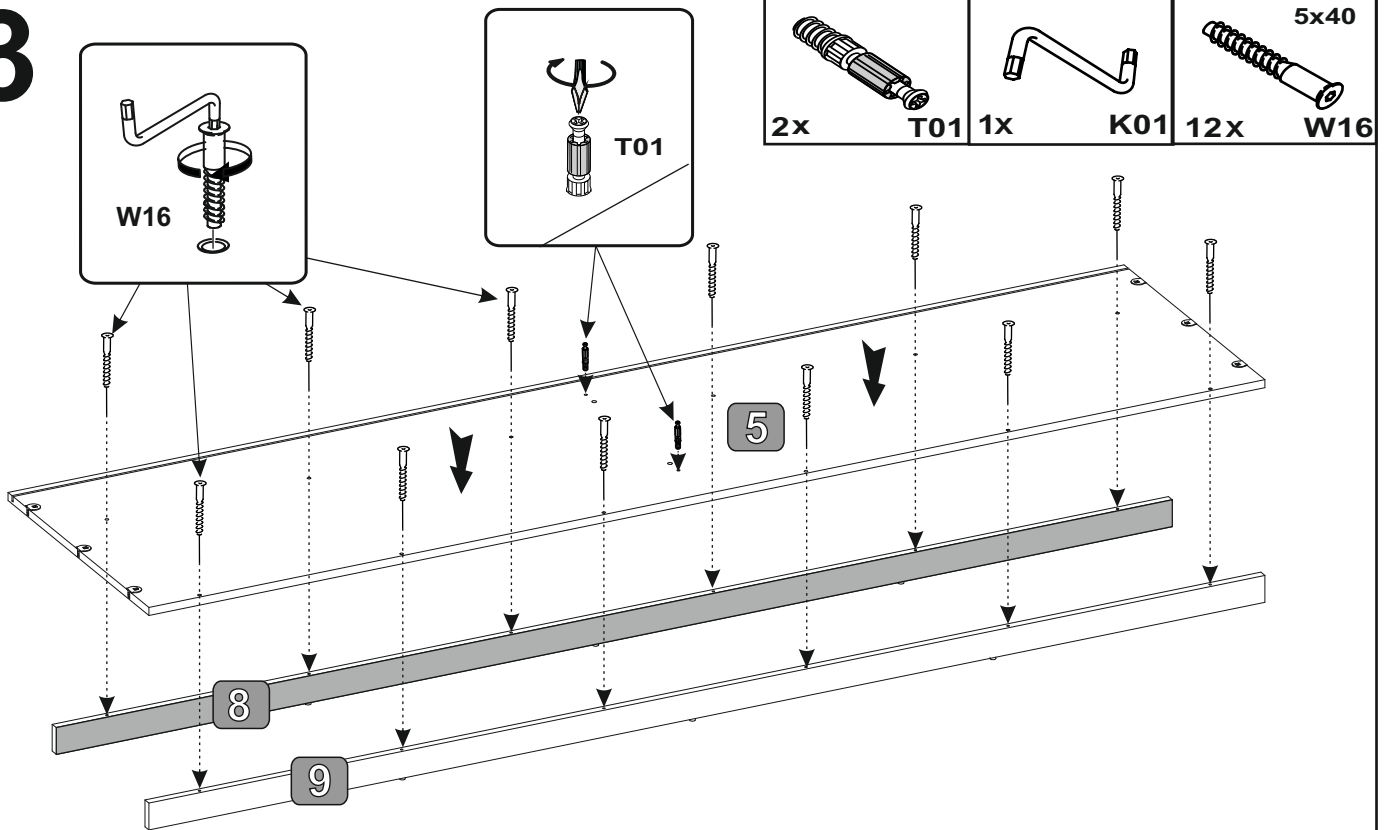


2

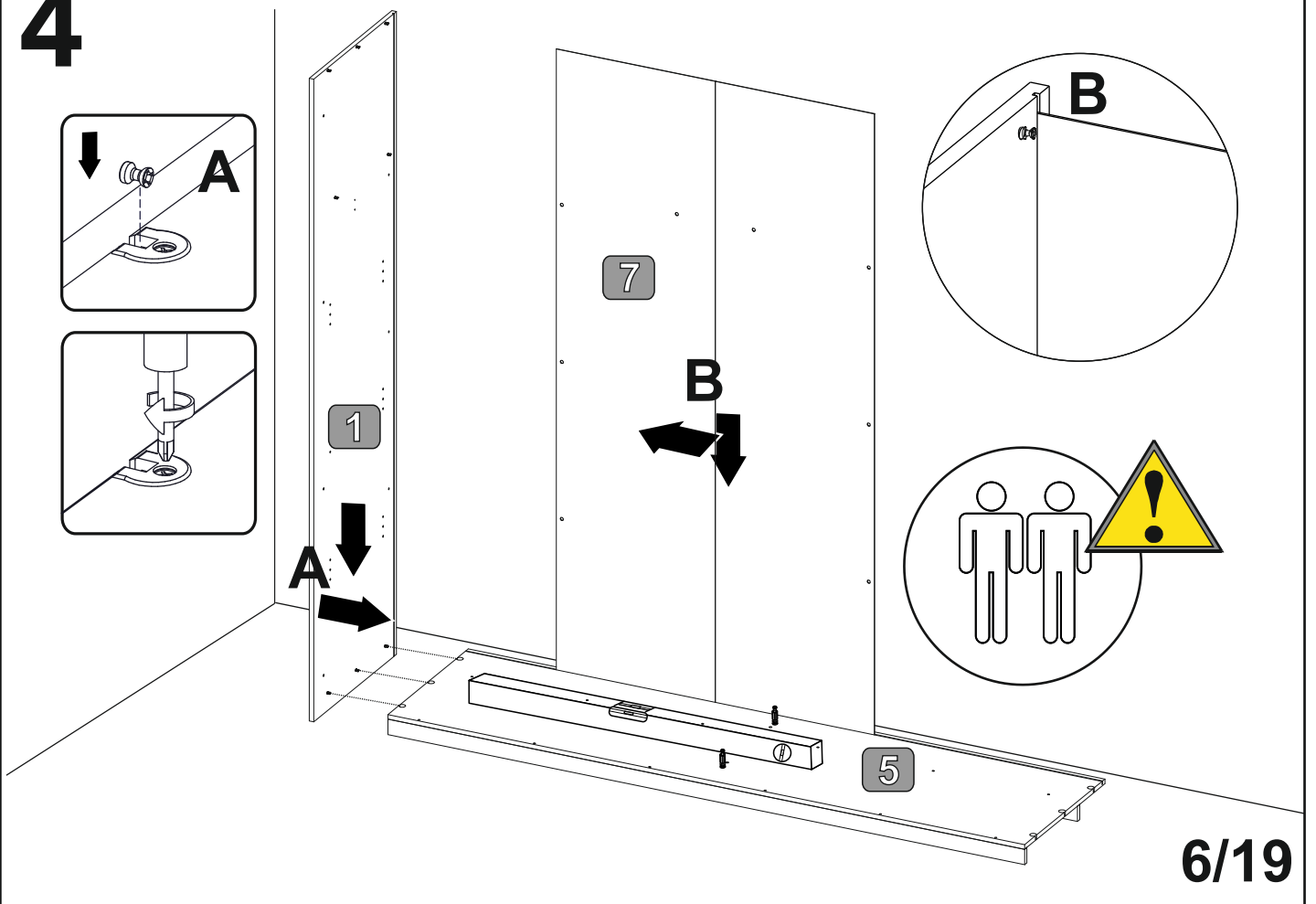
		
20x T05	2x T01	6x S01



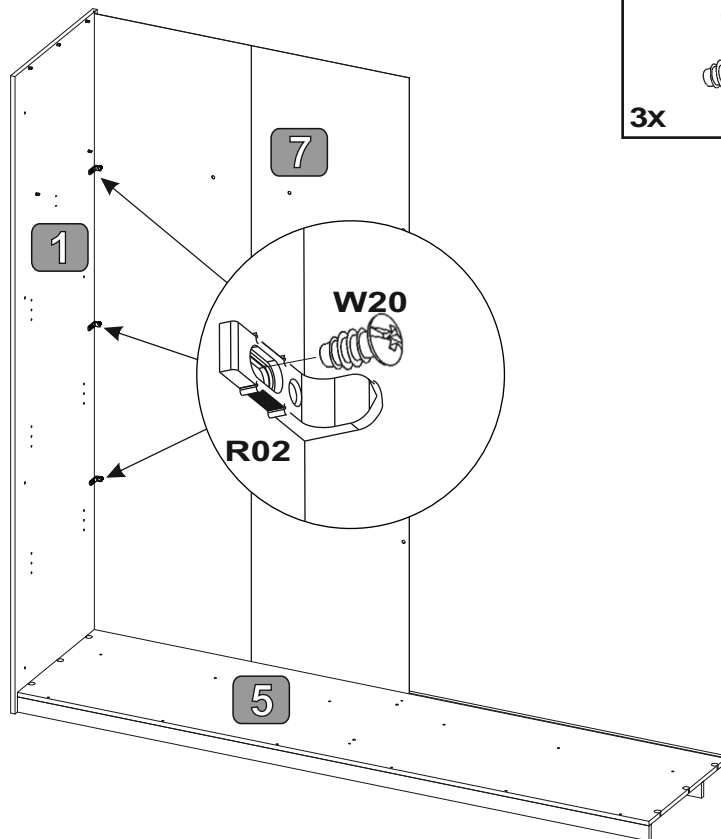
3


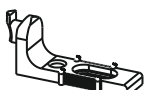


4

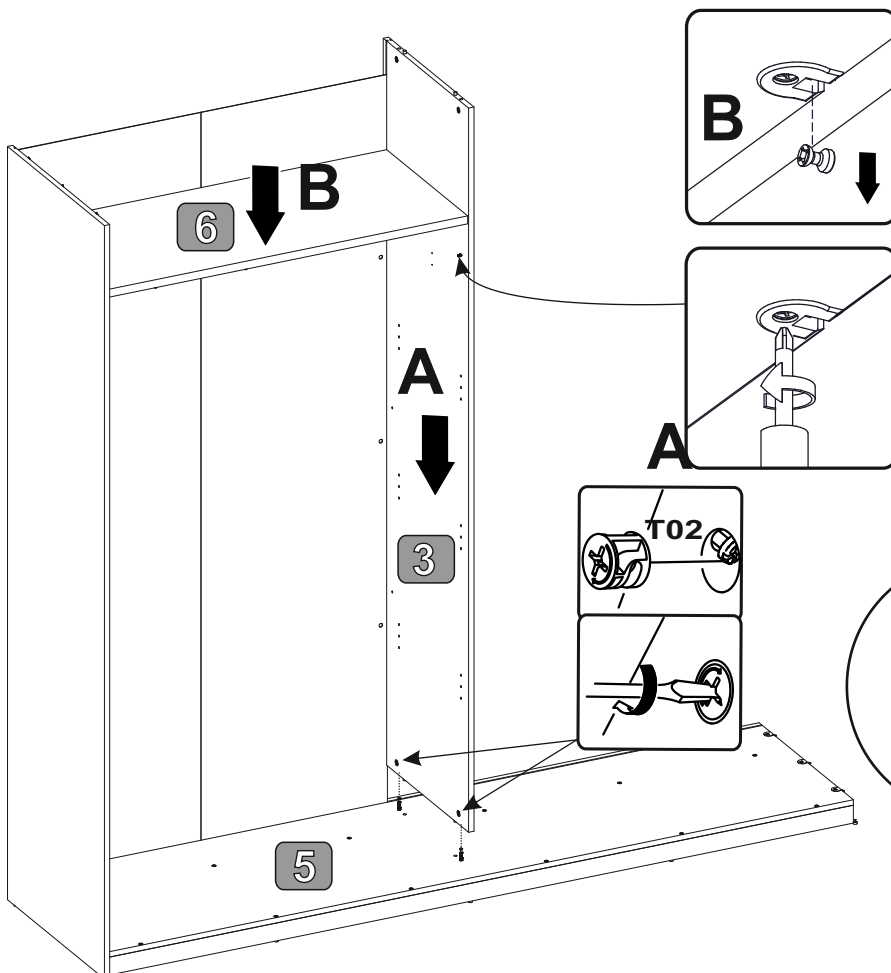


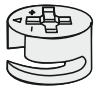
5



	6,3x9,5		
3x	W20	3x	R02

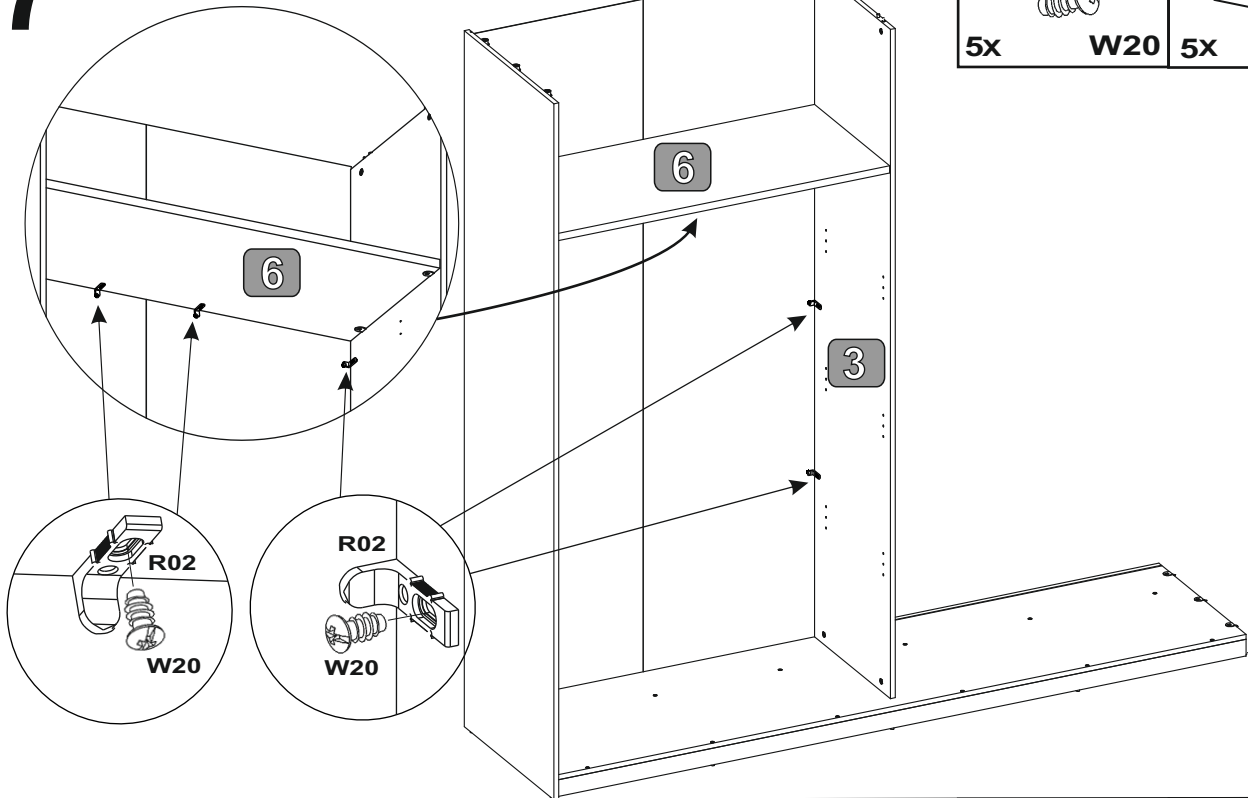
6


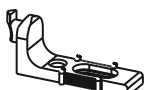


	15x12	
2x	T02	

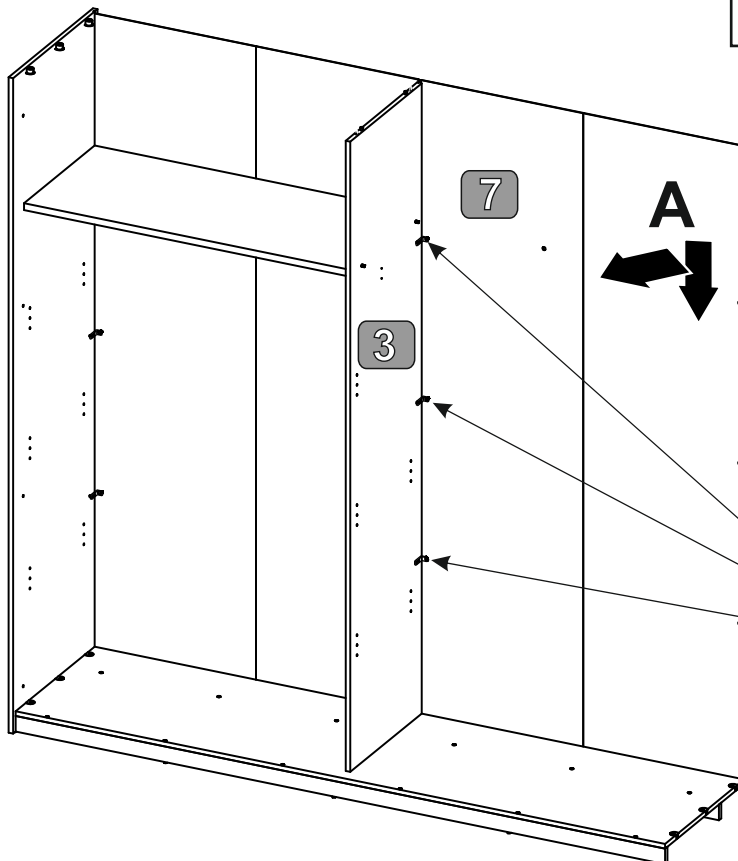



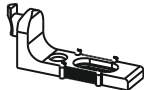
7



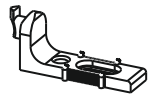
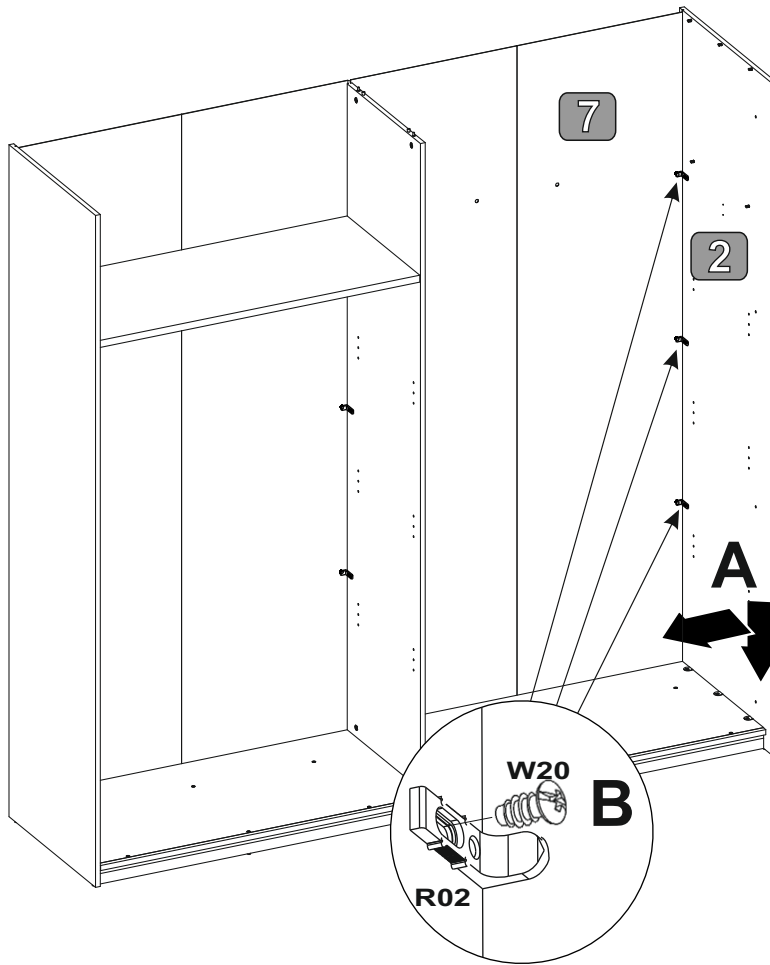
	6,3x9,5		
5x	W20	5x	R02

8



	6,3x9,5		
3x	W20	3x	R02

9

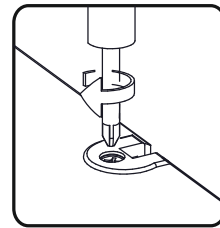
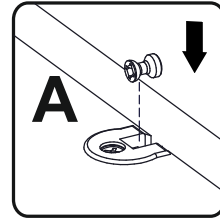


3X R02

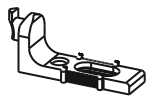
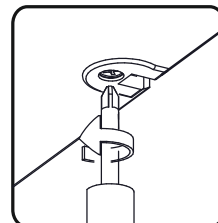
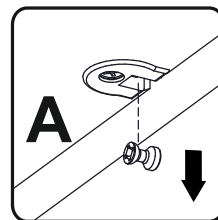
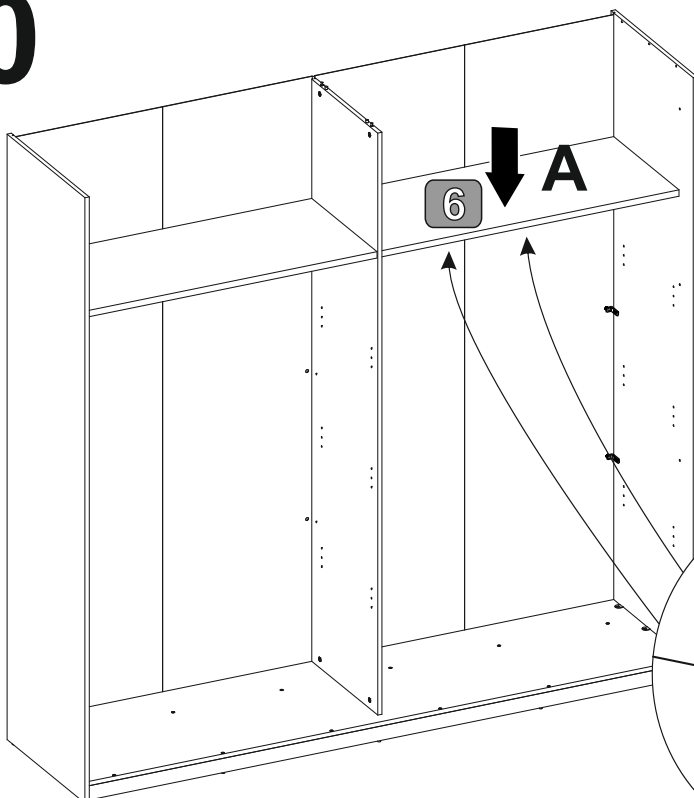
6,3x9,5



3X W20



10

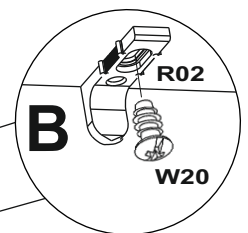
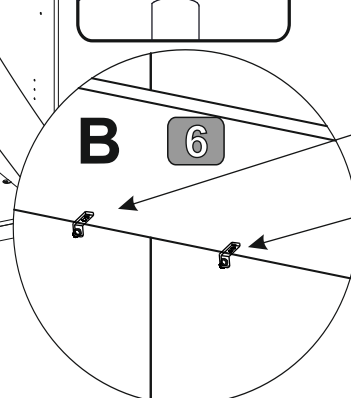


2X R02


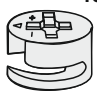
6,3x9,5

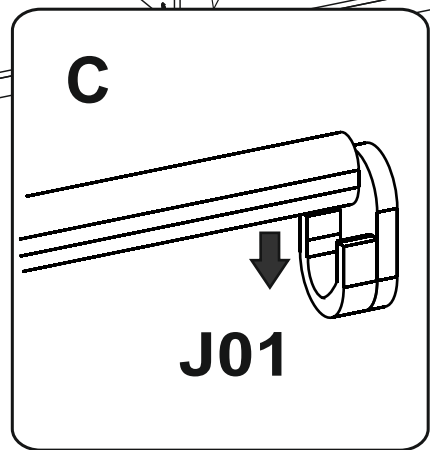
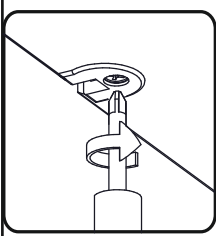
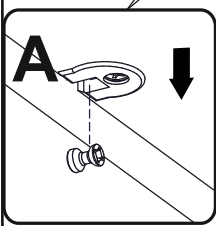
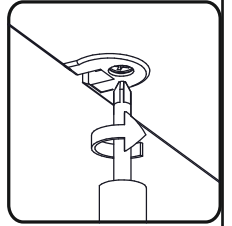
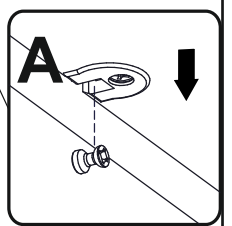
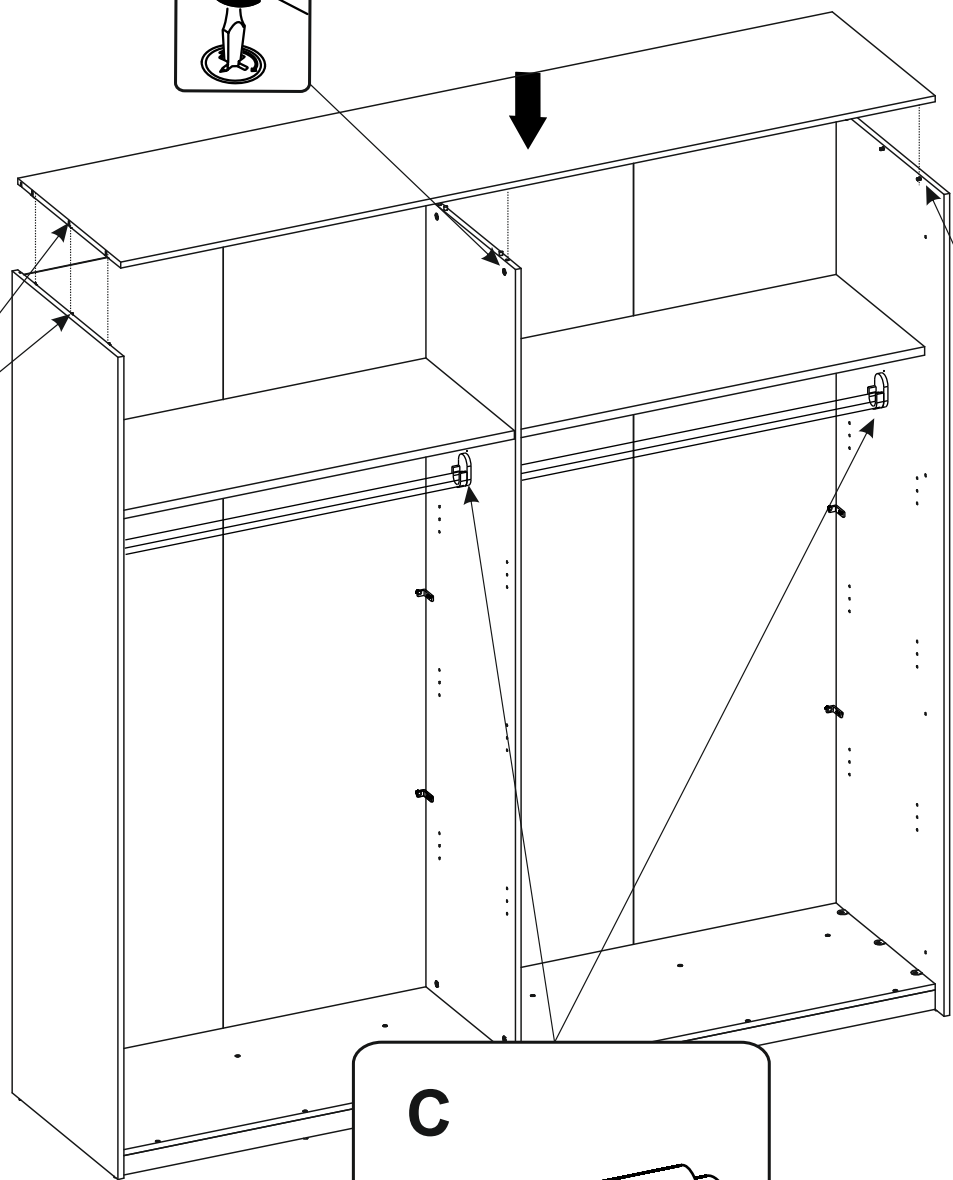
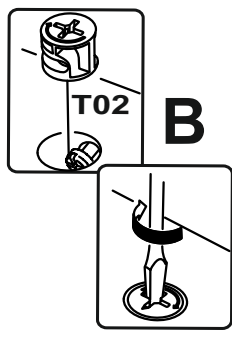


2X W20



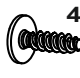
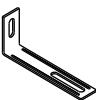





11

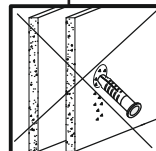
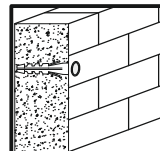
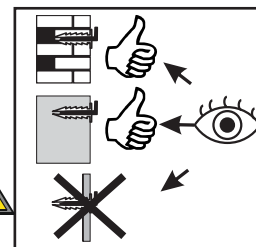
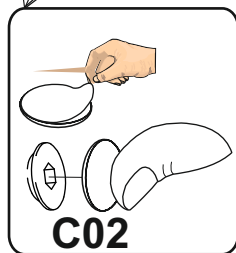
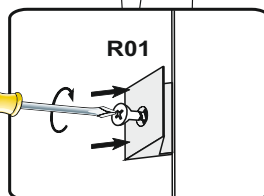
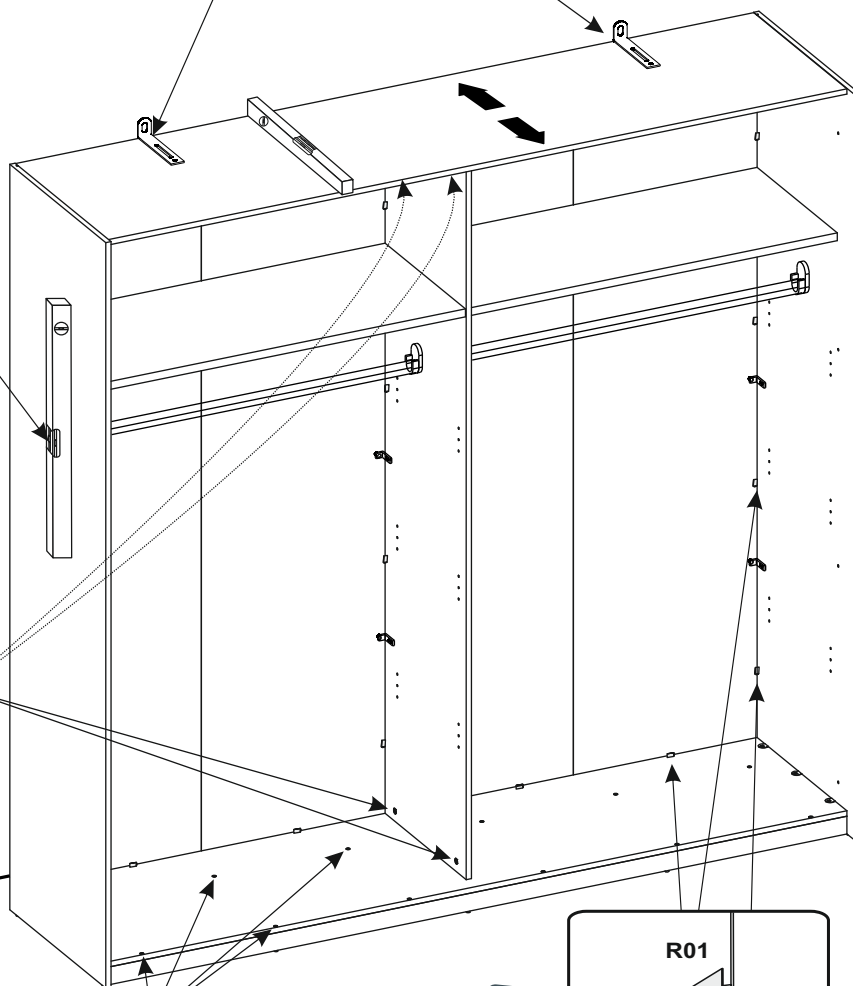
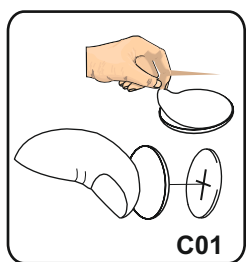
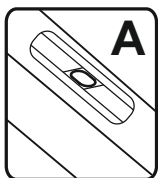
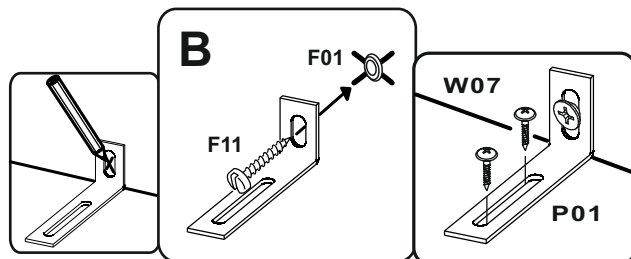
L-1048		15x12	
			
2x	J01	2x	T02



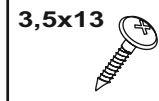
12

2x		F01	2x		F11	4x		W07	2x		P01	12x		C02	28x		R01
----	---	-----	----	---	-----	----	---	-----	----	--	-----	-----	---	-----	-----	---	-----

4x		C01
----	---	-----

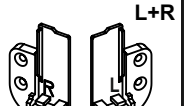


13



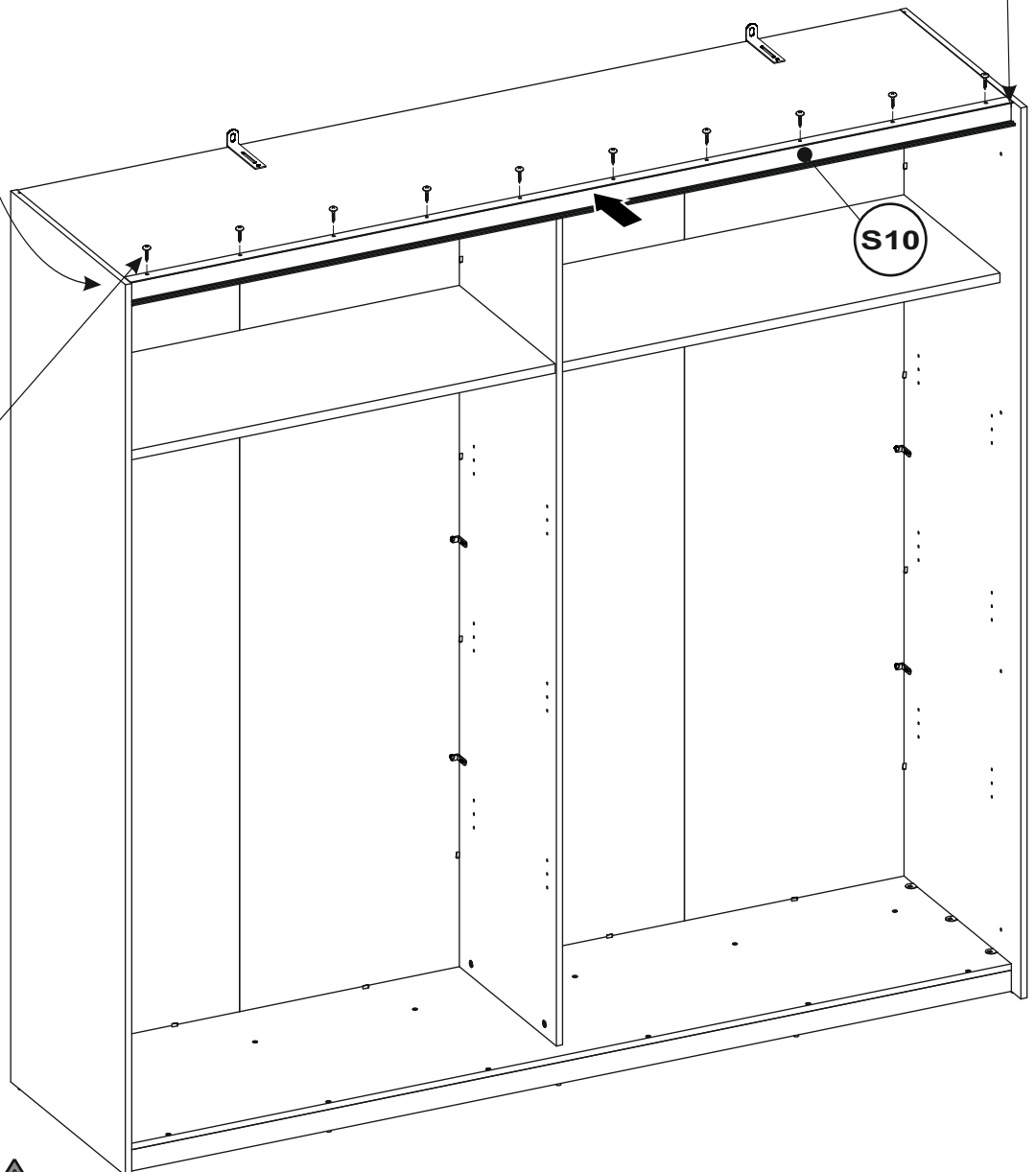
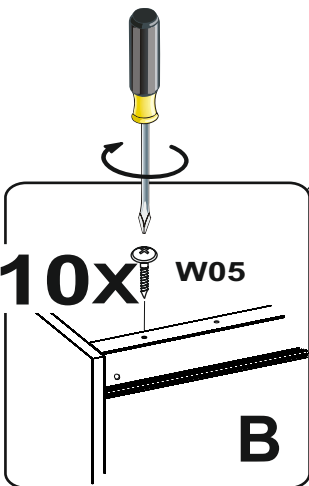
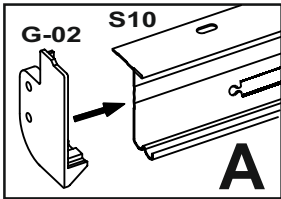
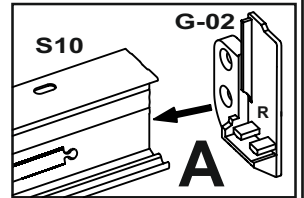
10x

W05

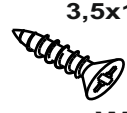
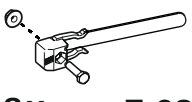


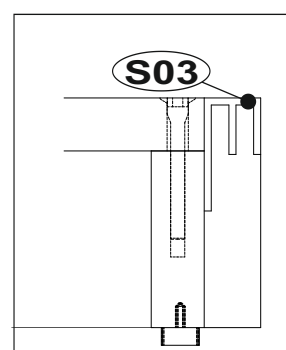
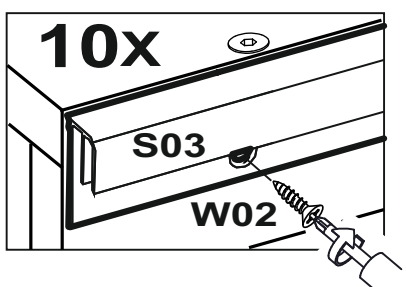
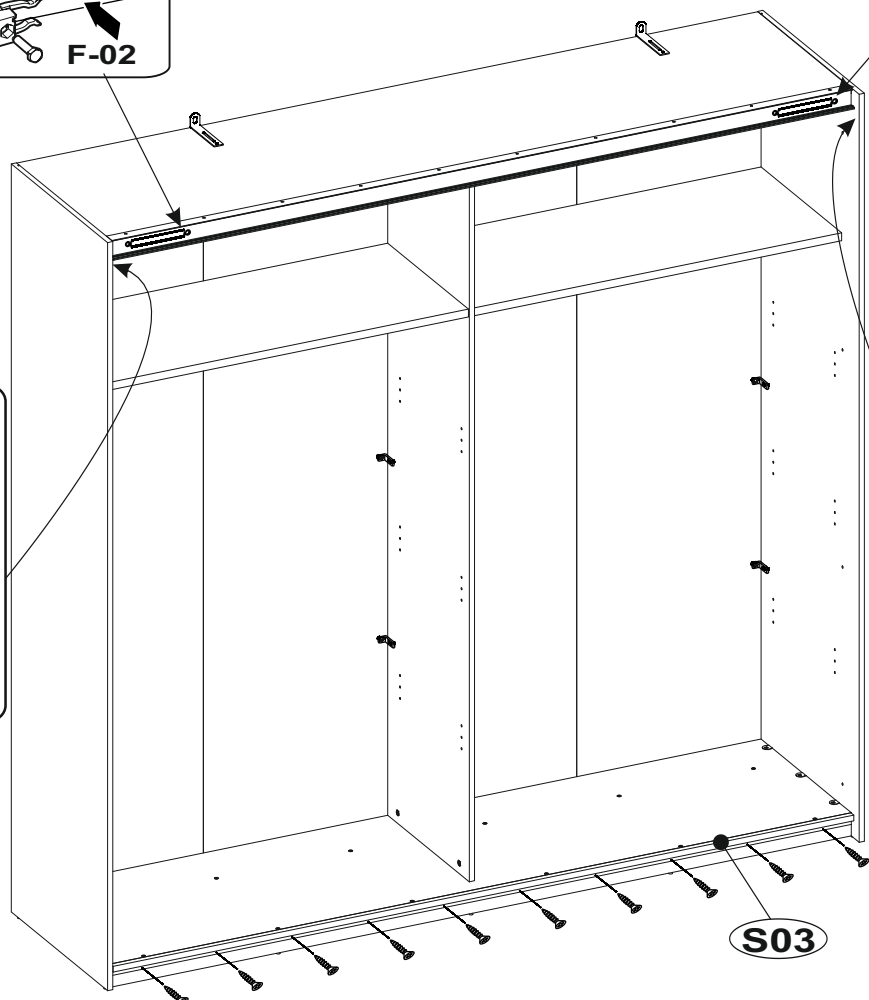
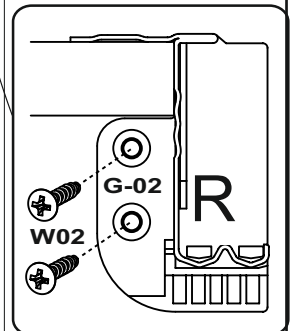
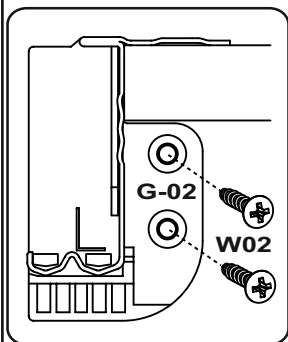
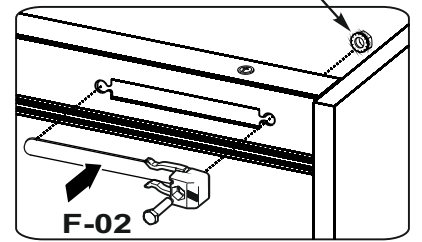
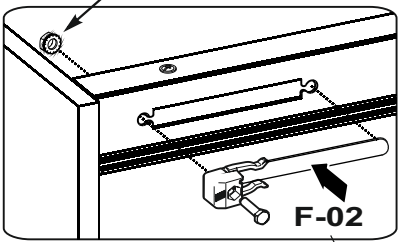
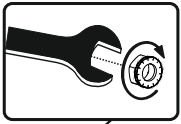
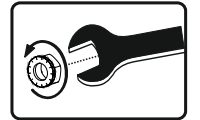
1x

G-02

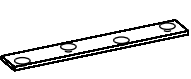







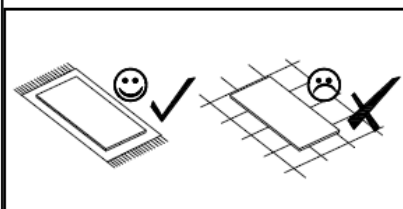
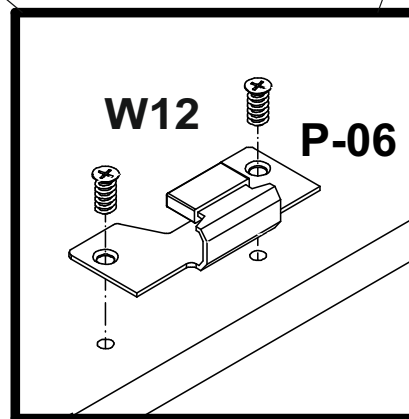
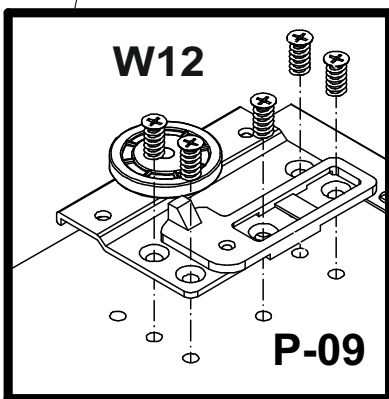
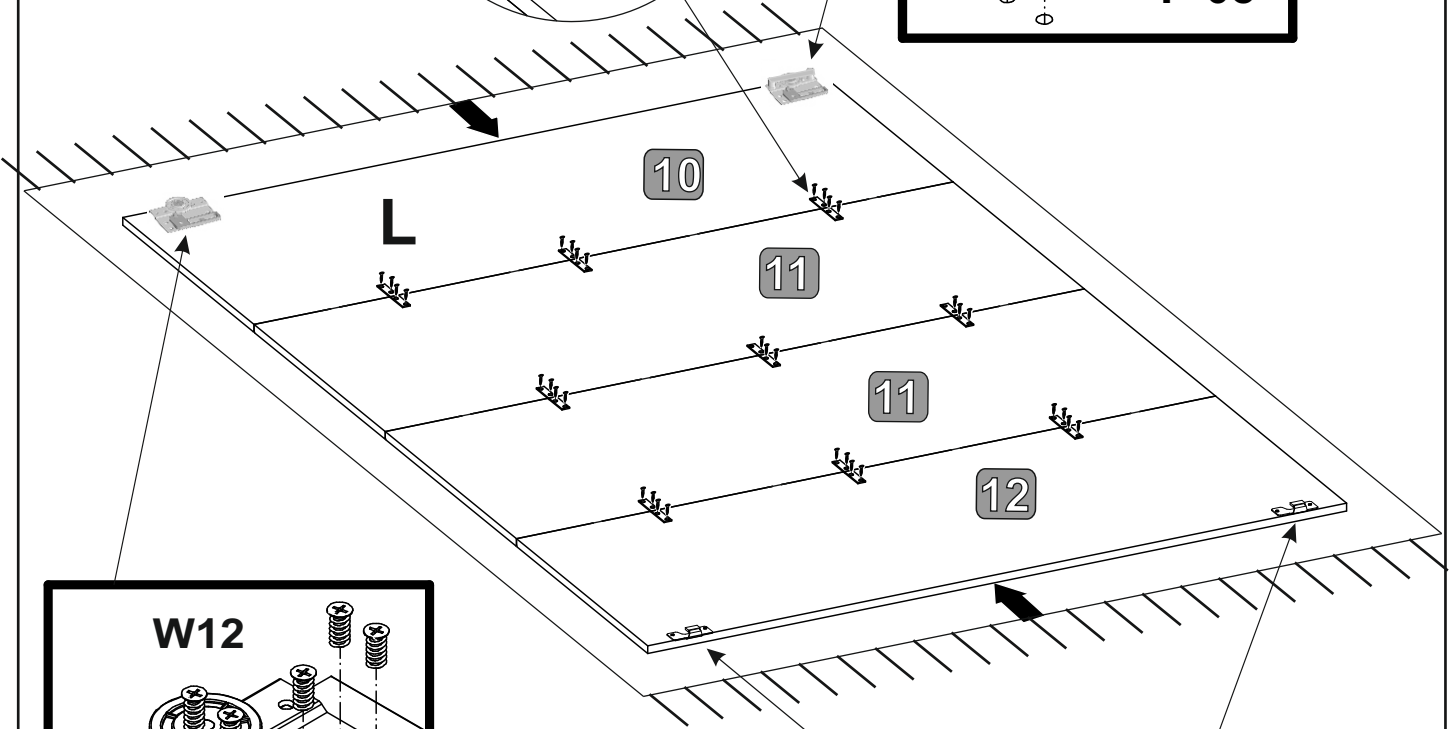
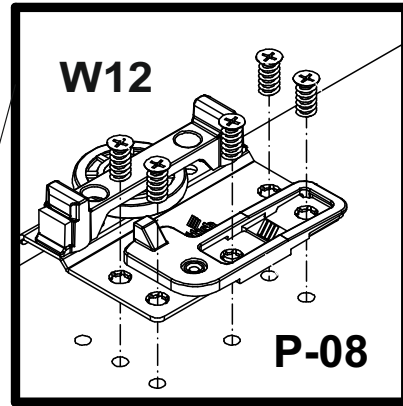
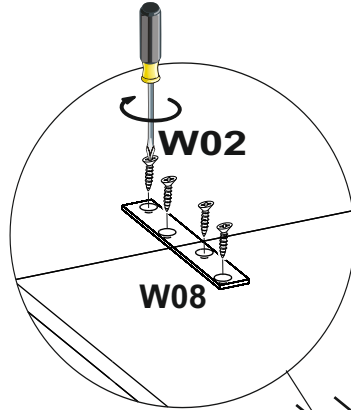
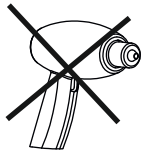
14

 3,5x13	
14X W02	2X F-02

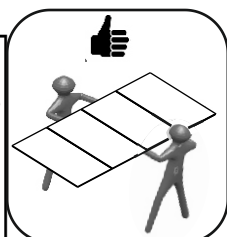
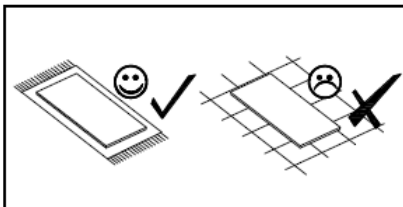
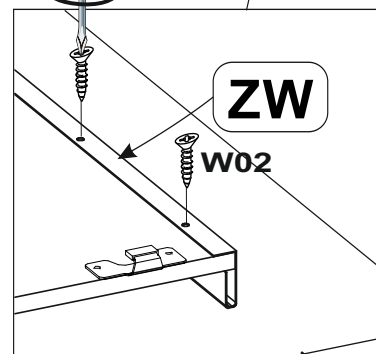
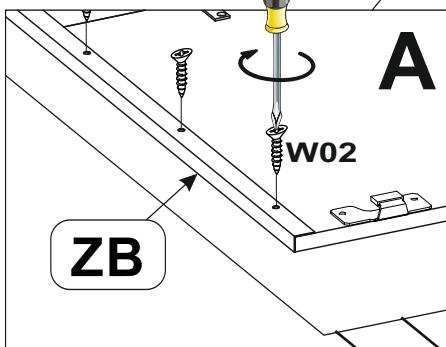
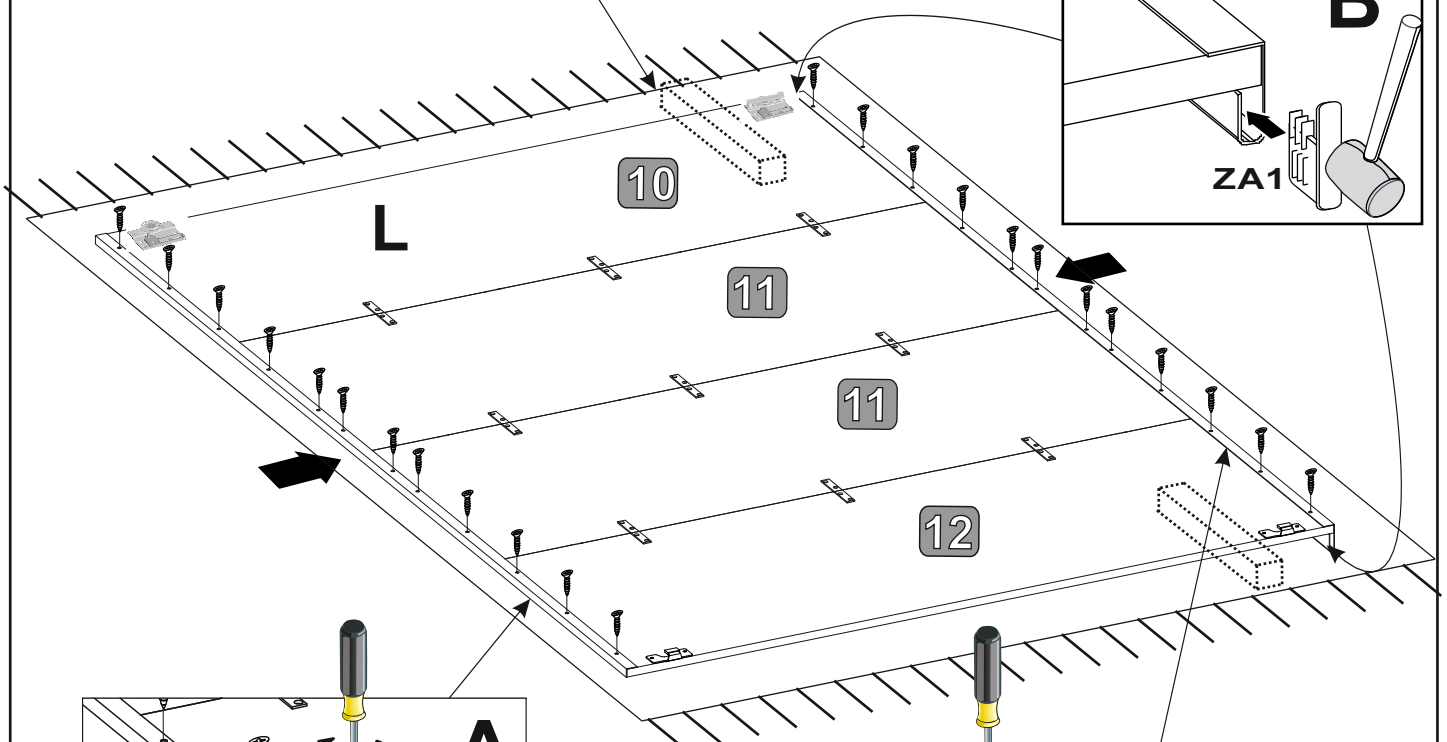
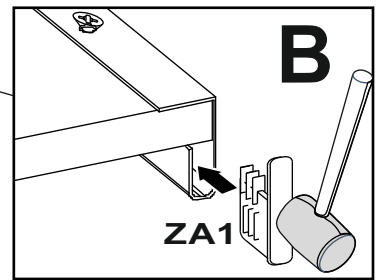
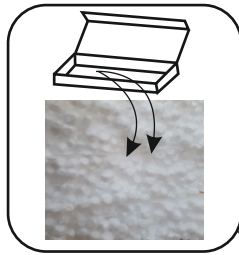
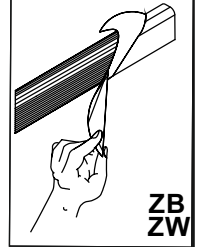
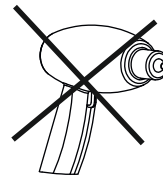
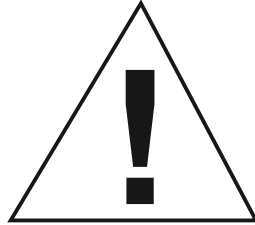
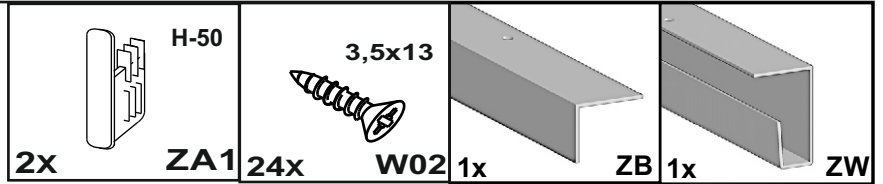


15

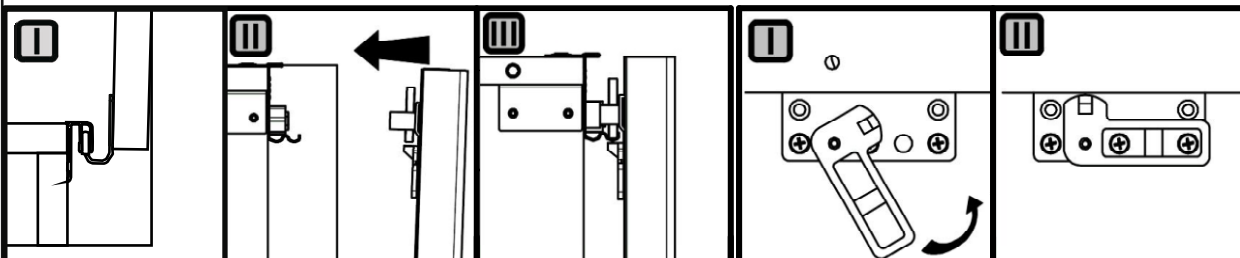
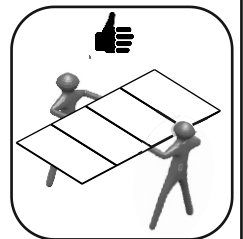
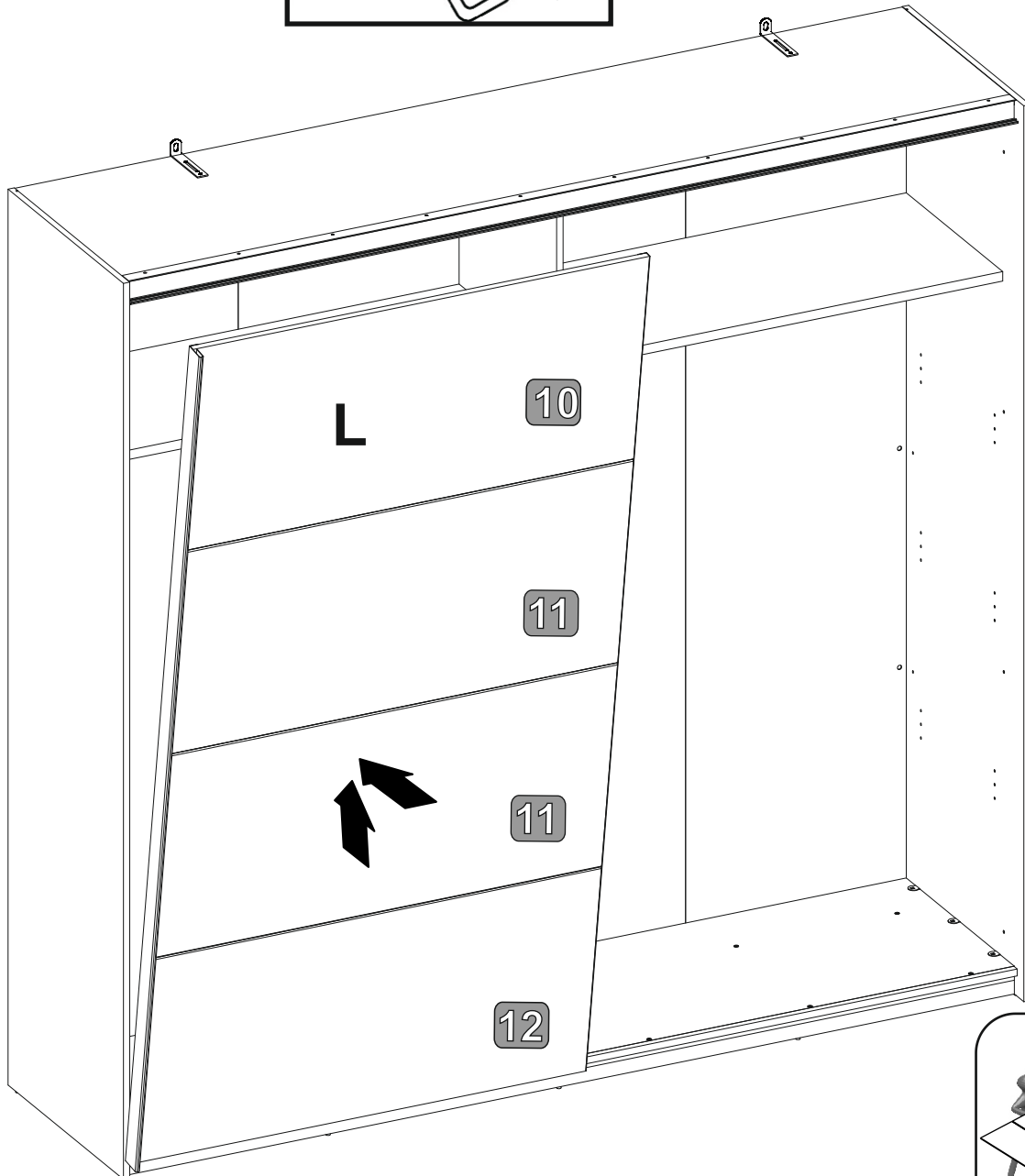
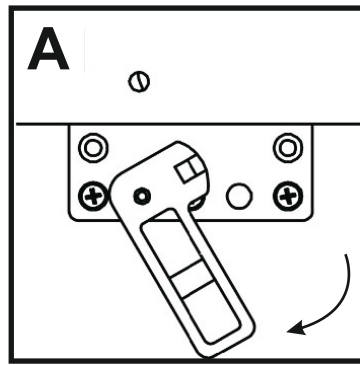
					
9x W08	36x W02	2x P-06	14x W12	1x P-08	1x P-09



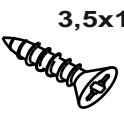
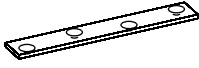

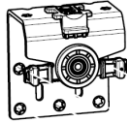
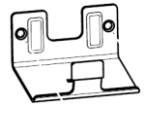
16

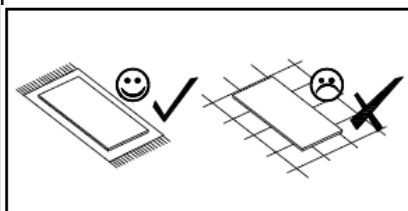
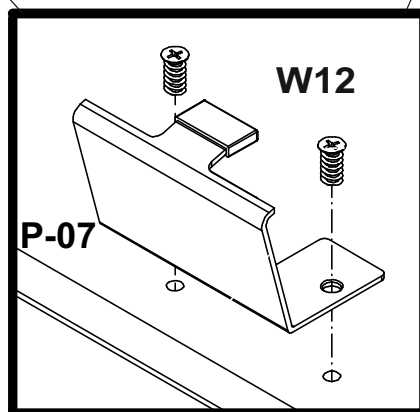
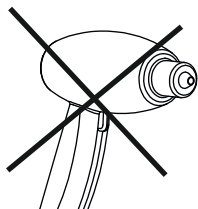
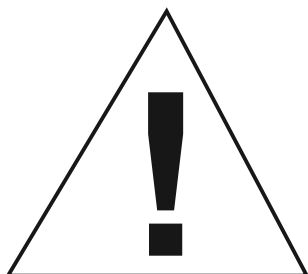
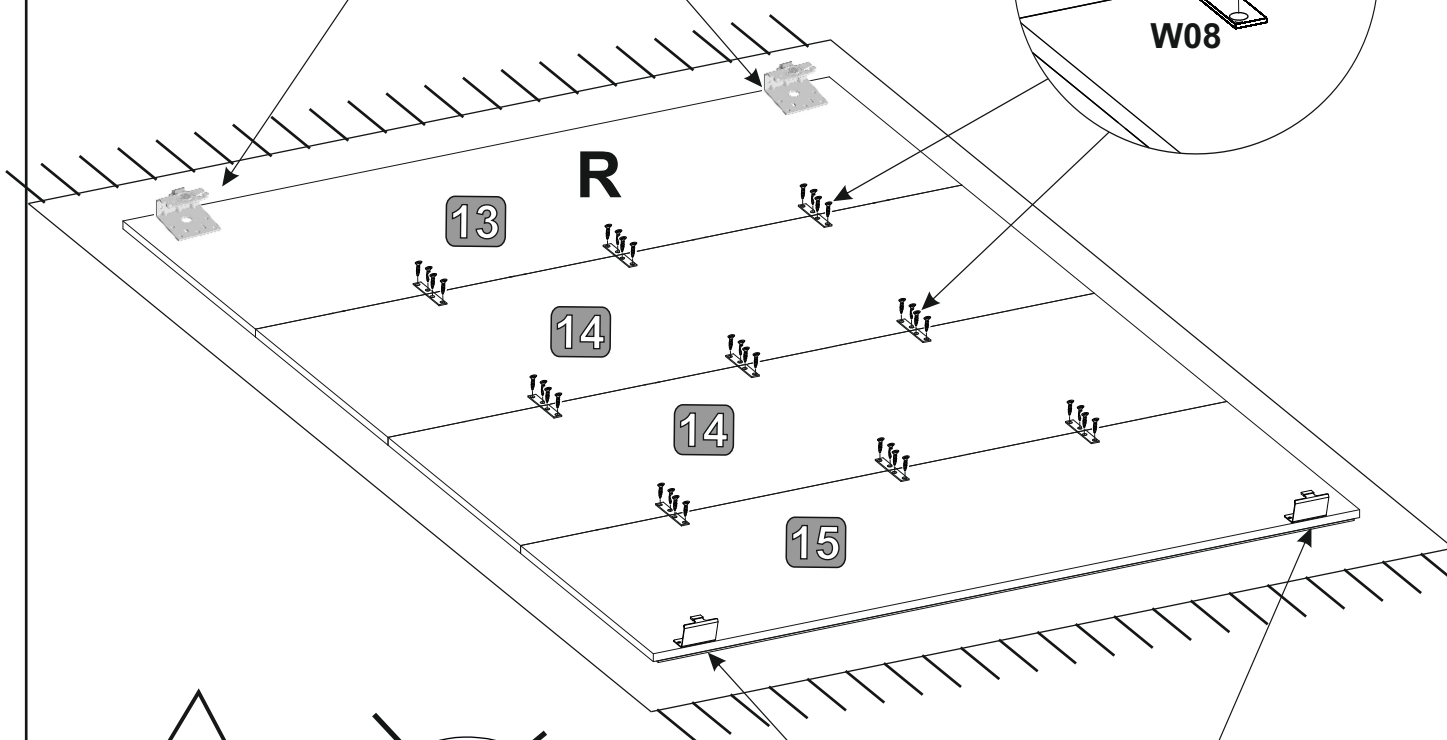
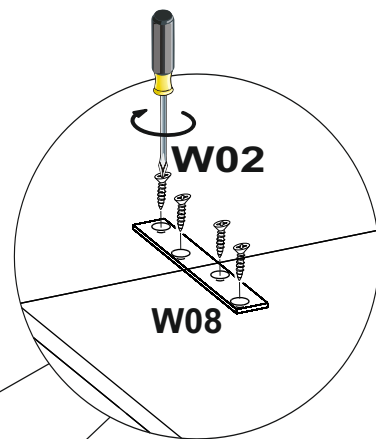
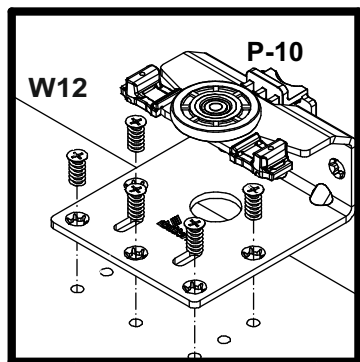


17

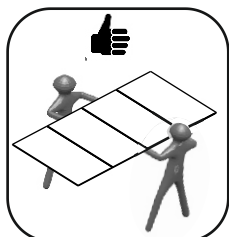
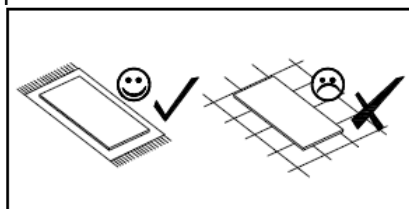
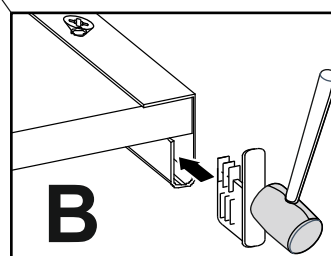
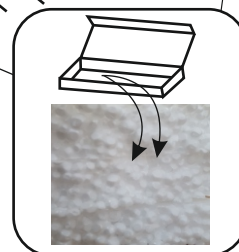
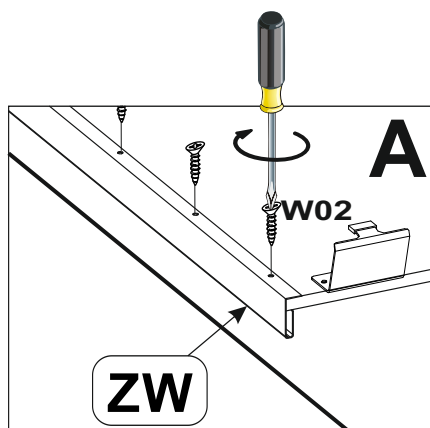
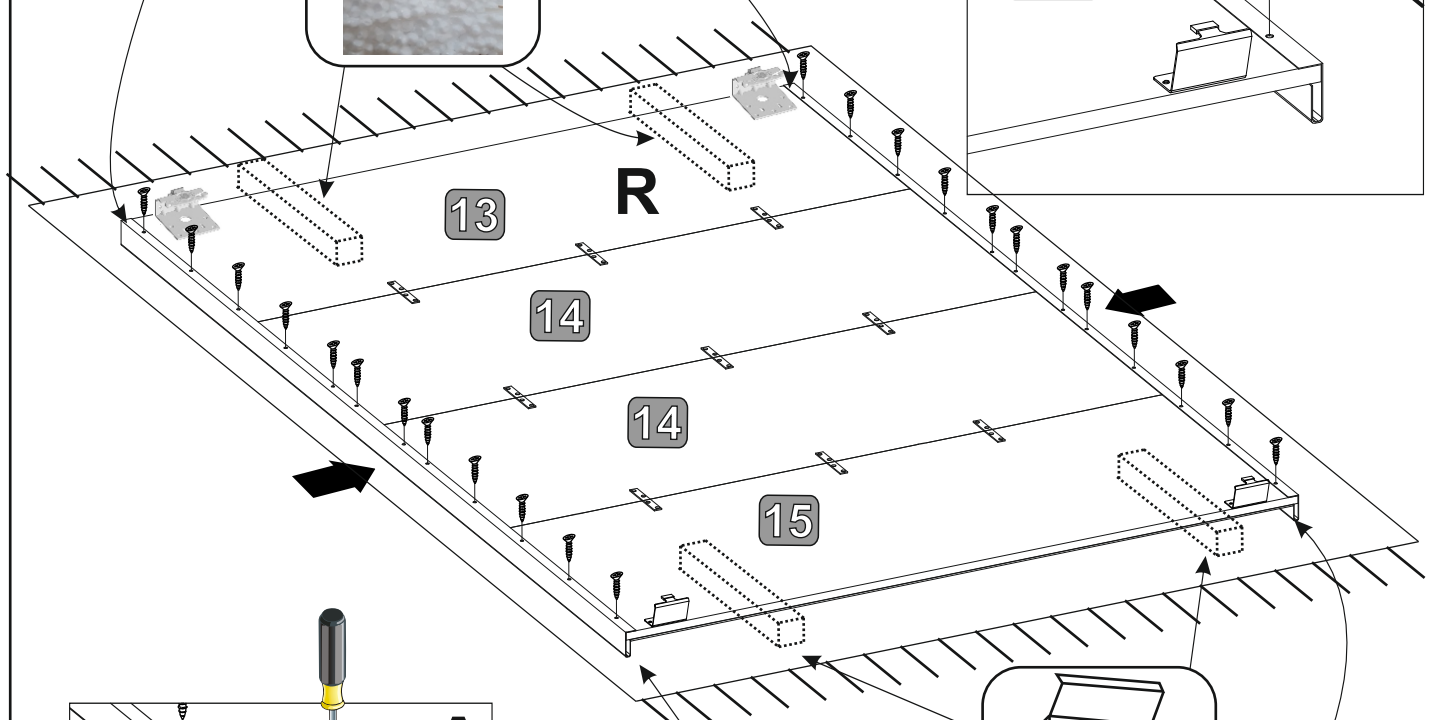
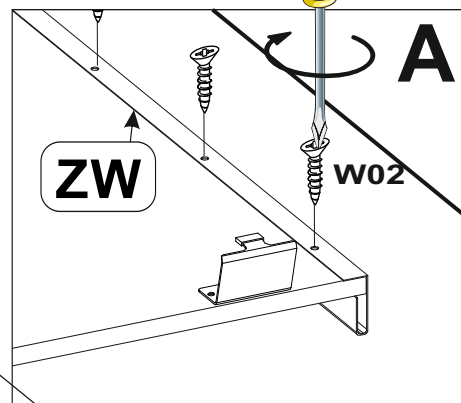
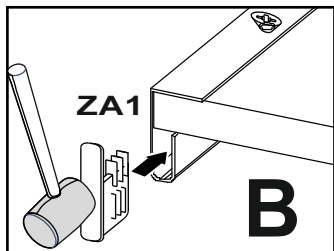
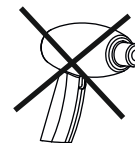
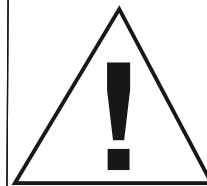
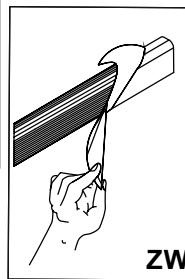
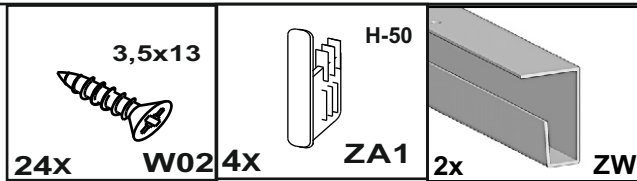


18

 36x W02	 9x W08	 14x W12	 2x P-10	 2x P-07
--	---	---	--	--



19



20

