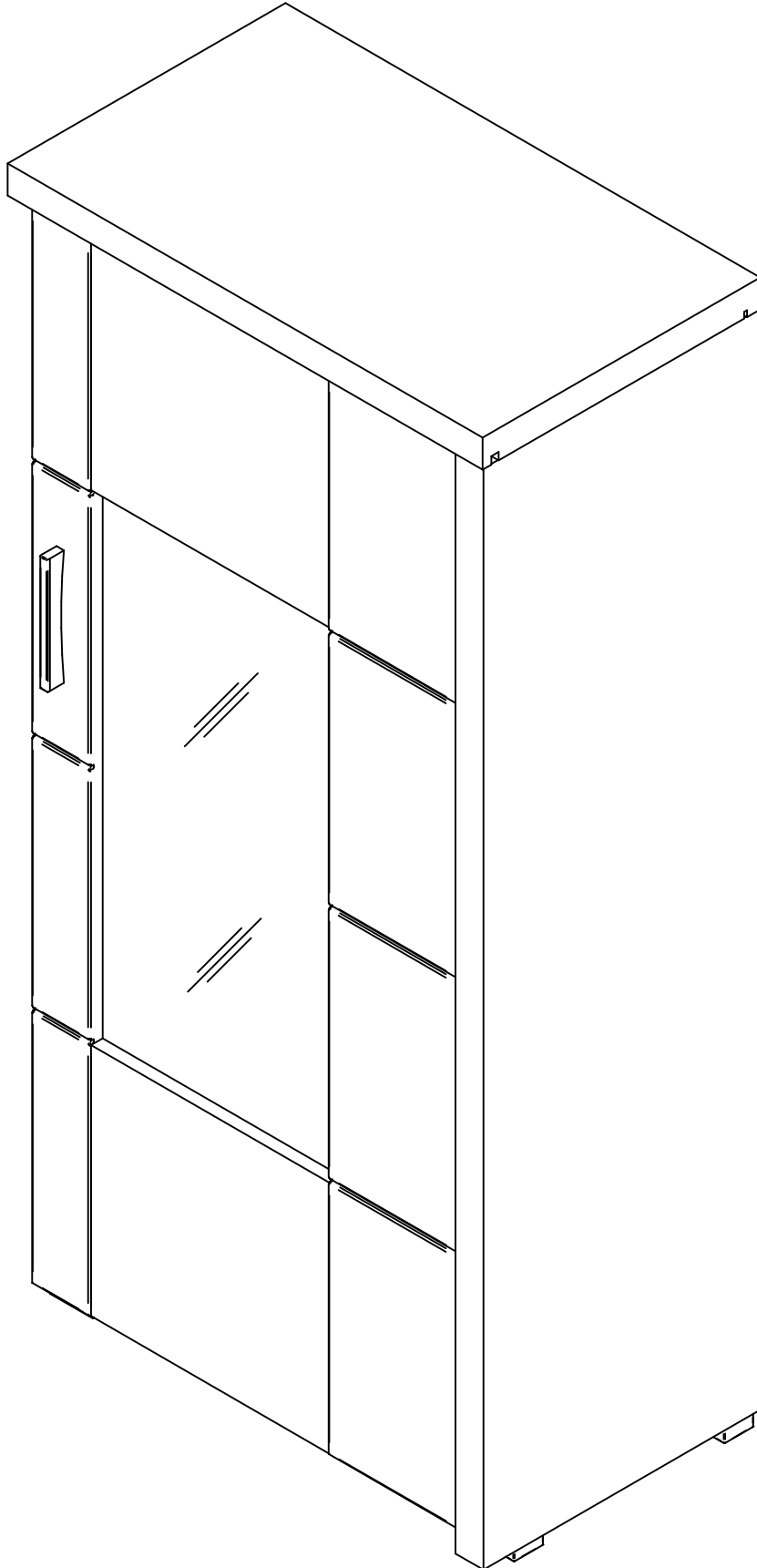
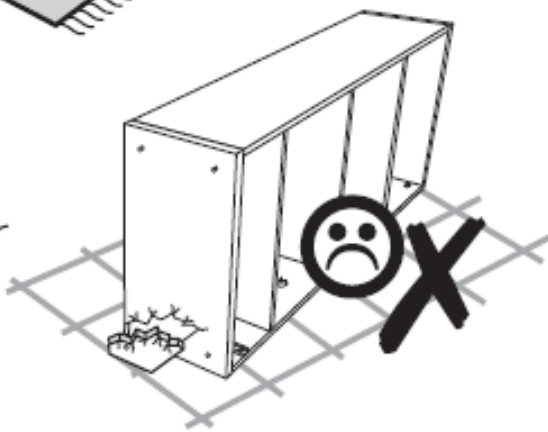
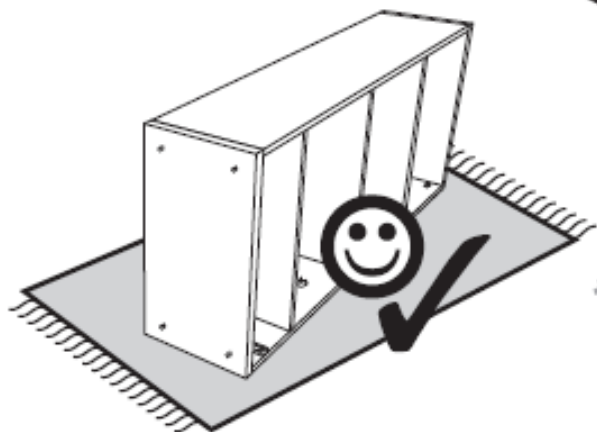
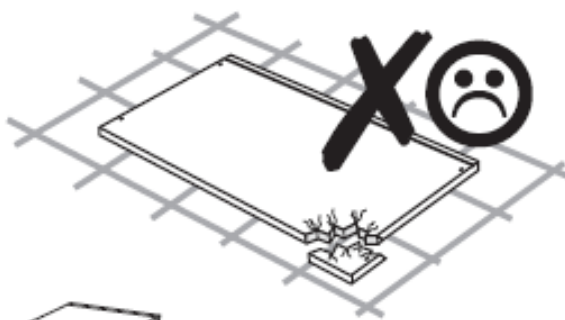
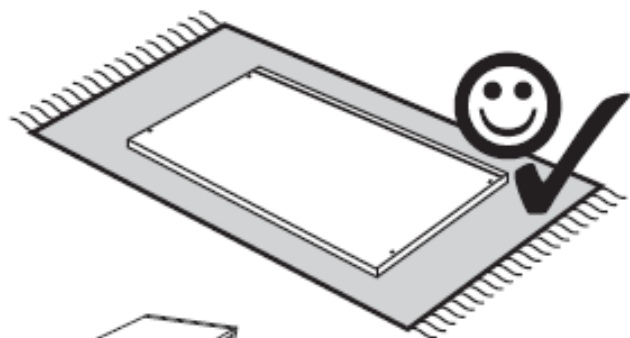
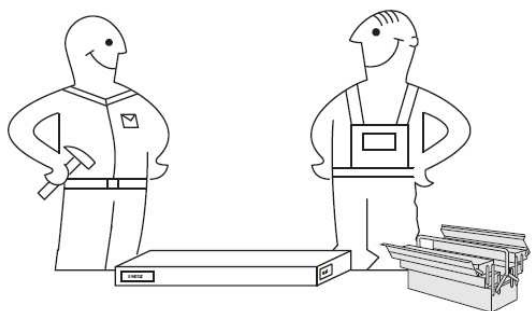
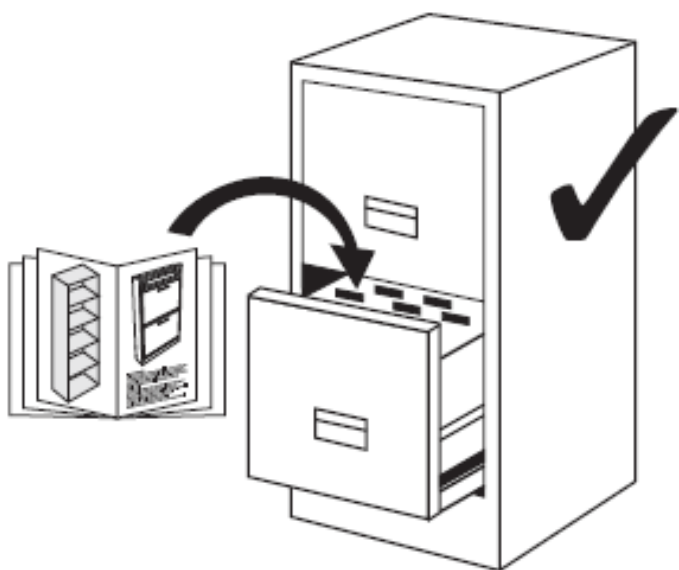
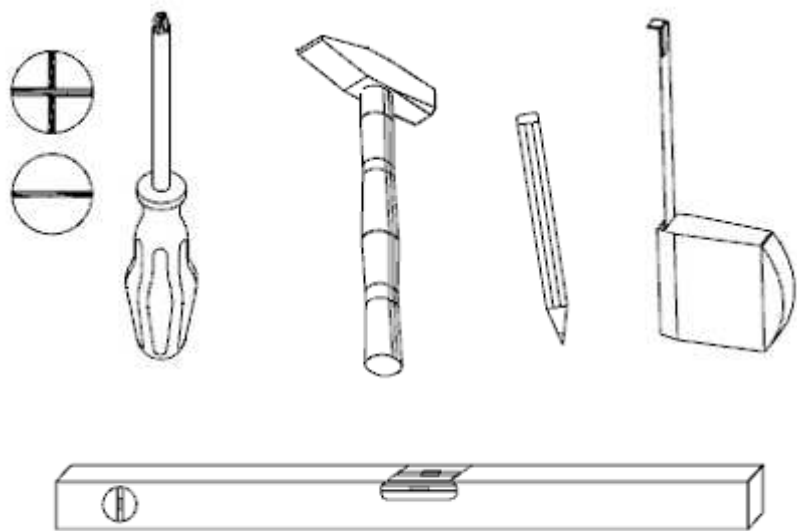


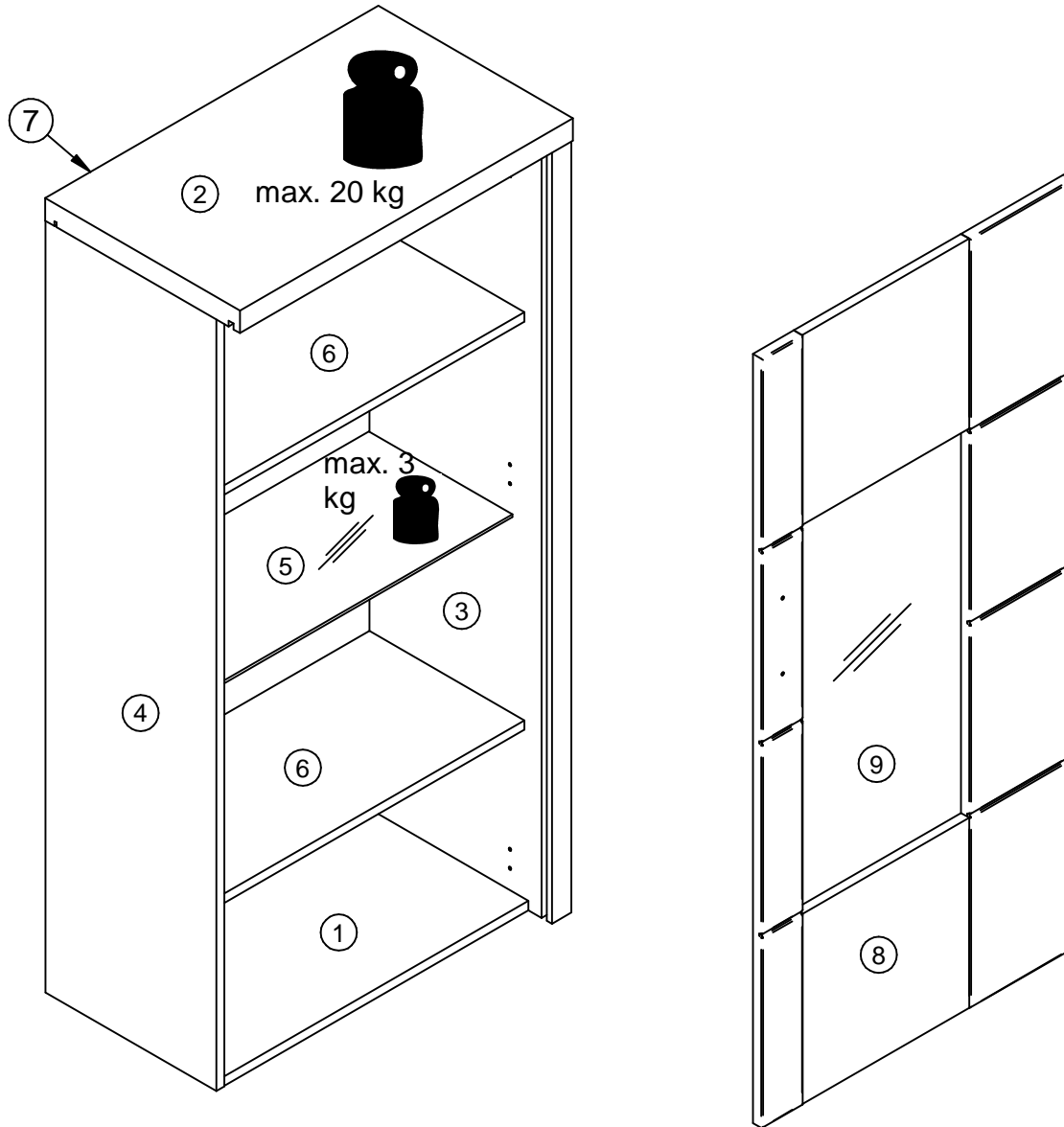
Eleganza










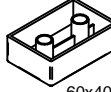
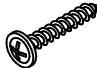
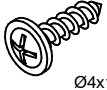



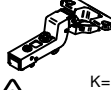

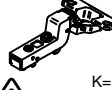






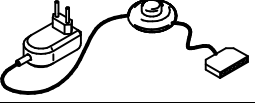


3044HW Wotaneiche
(Rustica Oak)

14


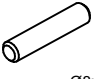
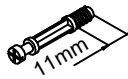




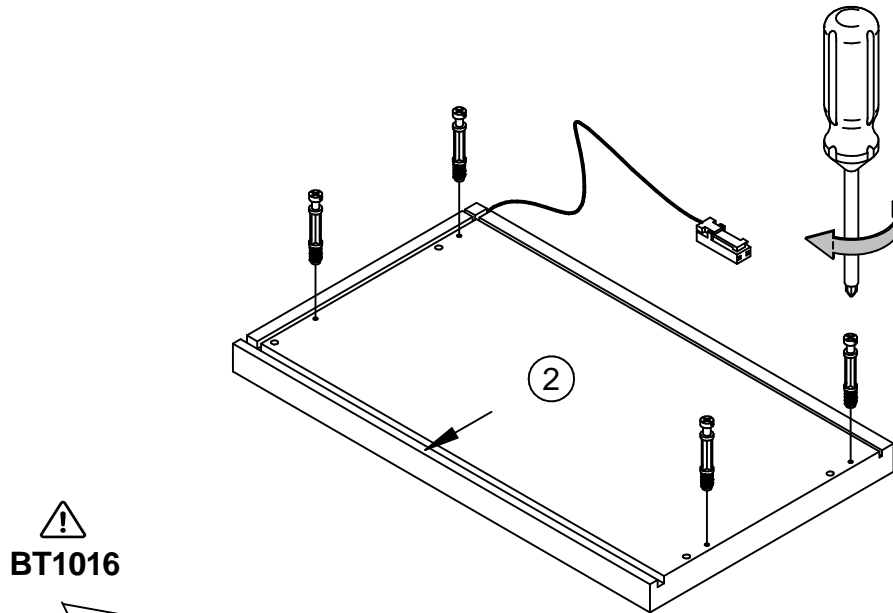
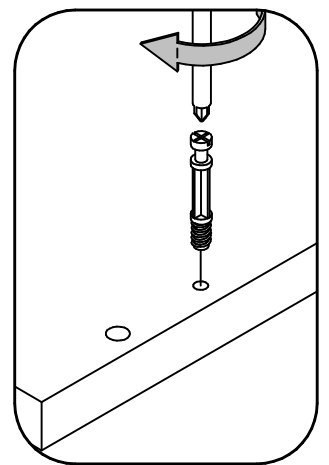
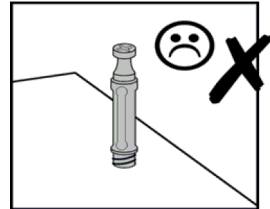
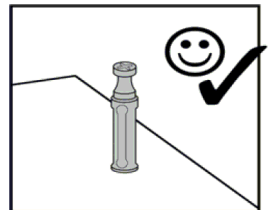
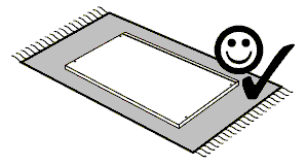




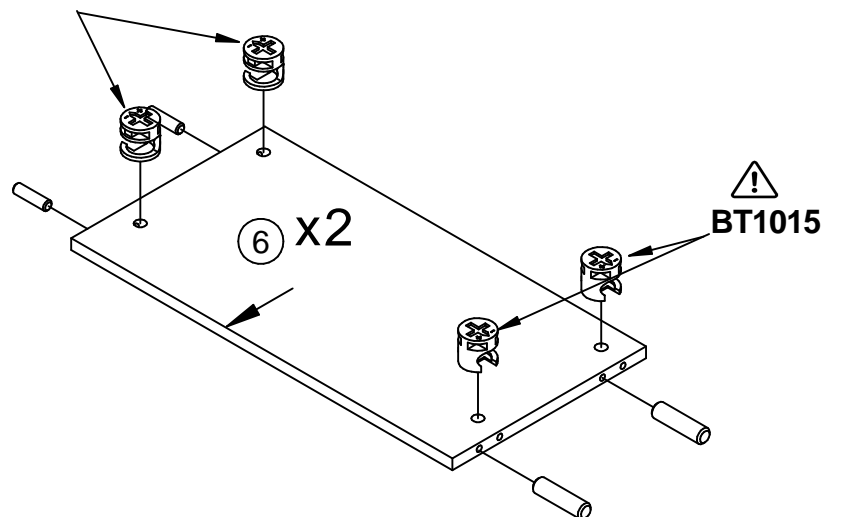
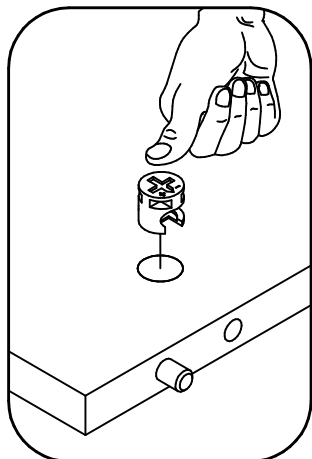
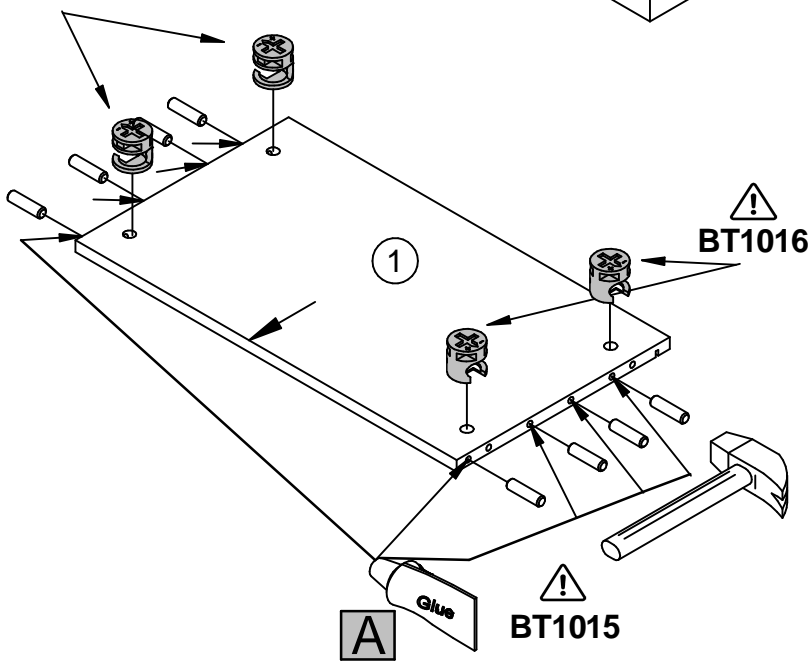
  x12	  x4	 11mm x16	 Ø8x30 x20	 x4	 Ø2,7x20 x8	 x4	 60x40x20 x4	 Ø4x25 x8
 Ø4x15 x4	 Ø9x6 x4	 x6	 Ø3,5x13 x8	 K=16  x2	 K=16  x1	 H=2 x3	 BA=128 x1	 M4x24 x2
 Ø7x1,5 x2	 x1	 x1	 x1	 Ø8 x1				

1.





BT1016  ! x4	MM1121  Ø8x30 x16	MM1016  11mm x4	MM1018  x1	BT1015  ! x8
-----------------------------------------------------------------------------------------------------	-------------------------------------------------------------------------------------------------------------	-----------------------------------------------------------------------------------------------------------	---------------------------------------------------------------------------------------------------	-----------------------------------------------------------------------------------------------------

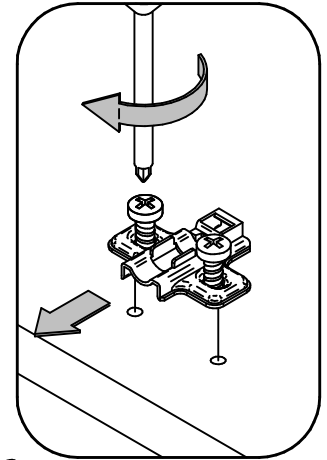
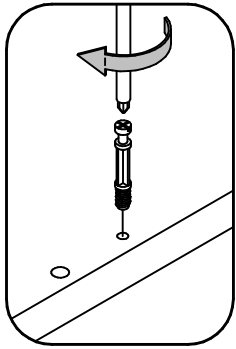
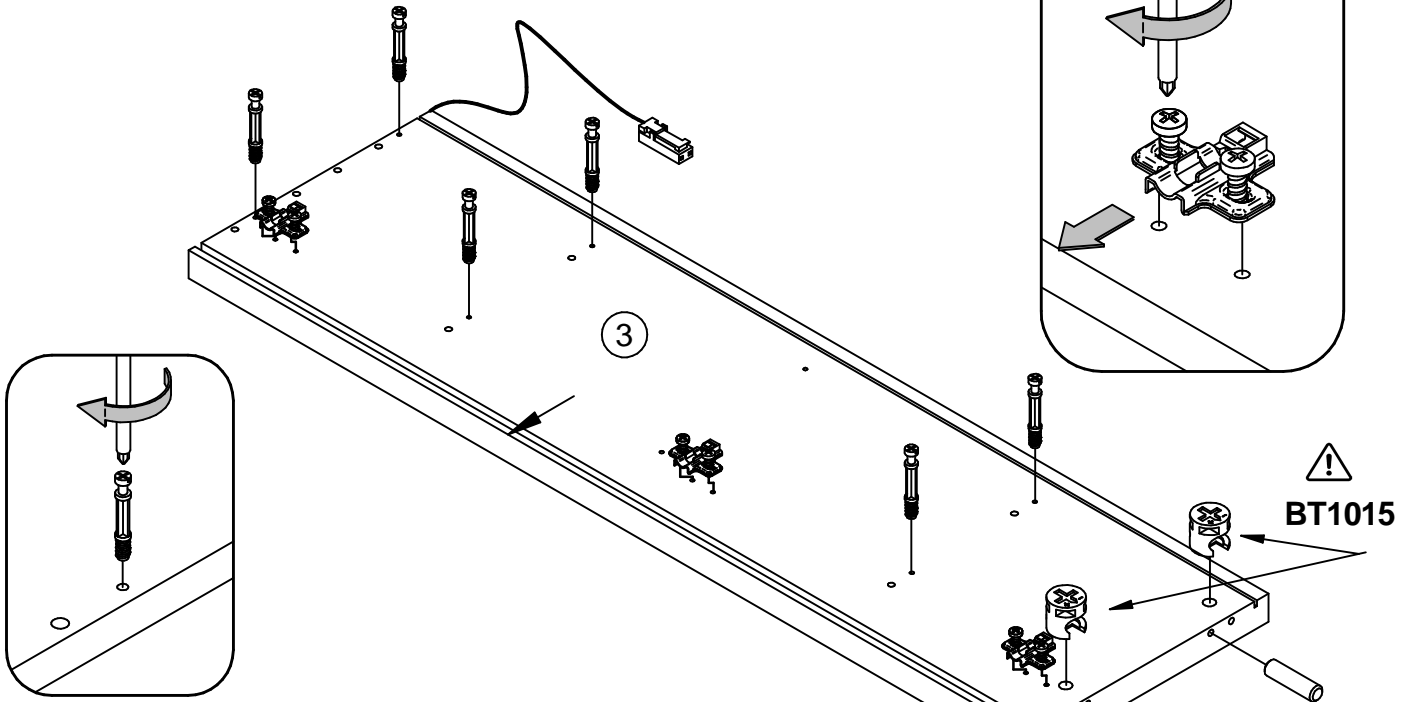
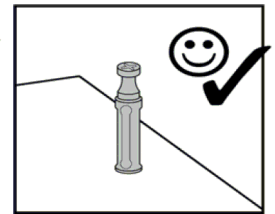
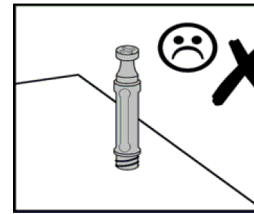


! BT1016

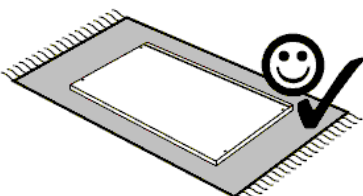
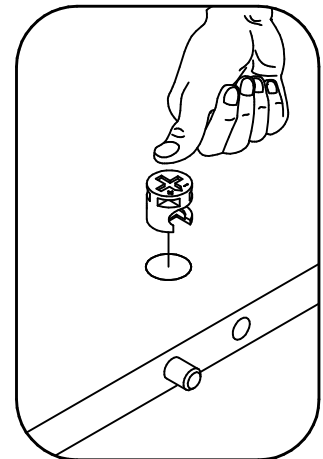
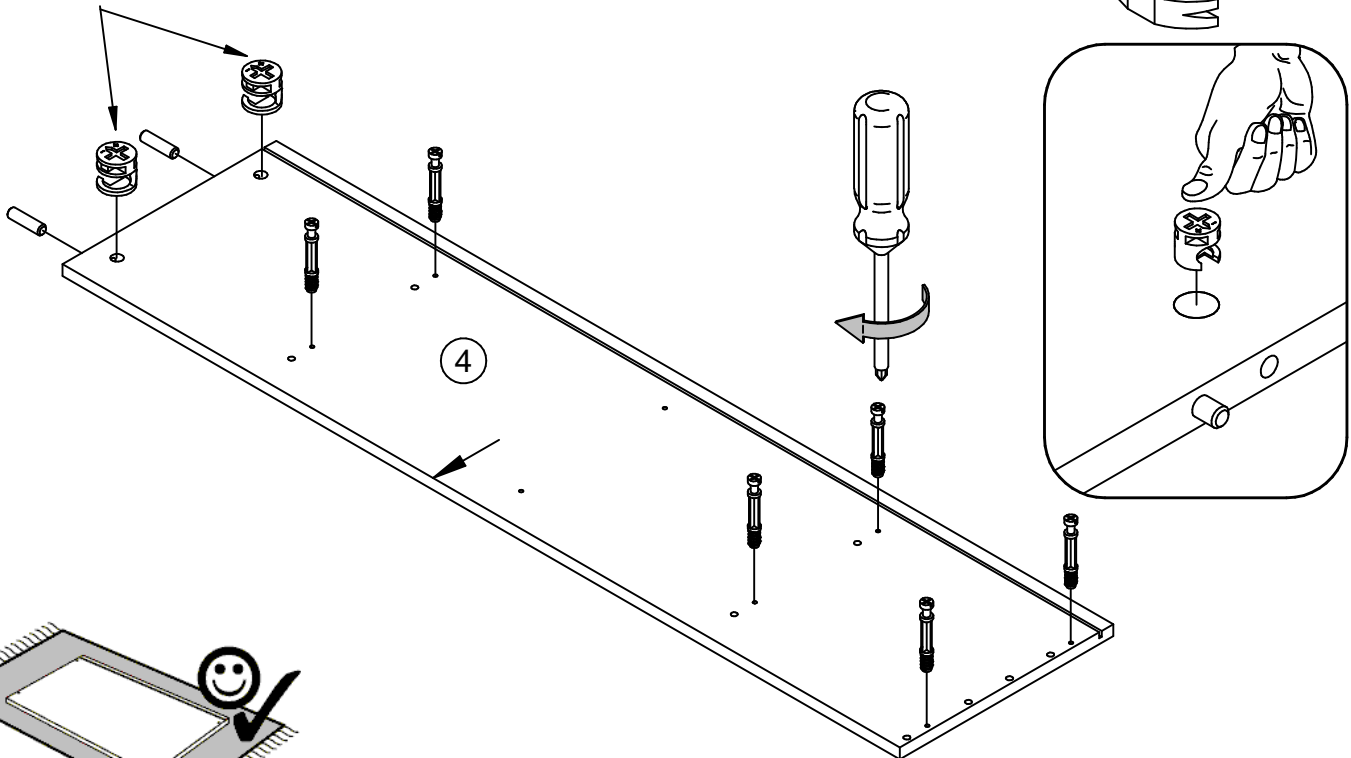


2.



BT1015  ! x4	MM1016  1.1mm x12	MM1121  Ø8x30 x4	BT51349  H=2 x3
----------------------------------------------------------------------------------------------------	----------------------------------------------------------------------------------------------------------	---------------------------------------------------------------------------------------------------------	--------------------------------------------------------------------------------------------------------

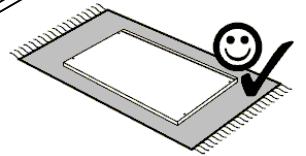
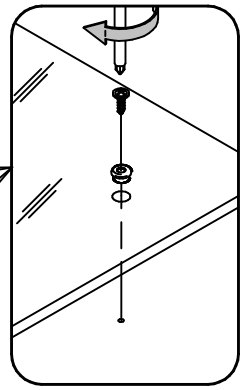
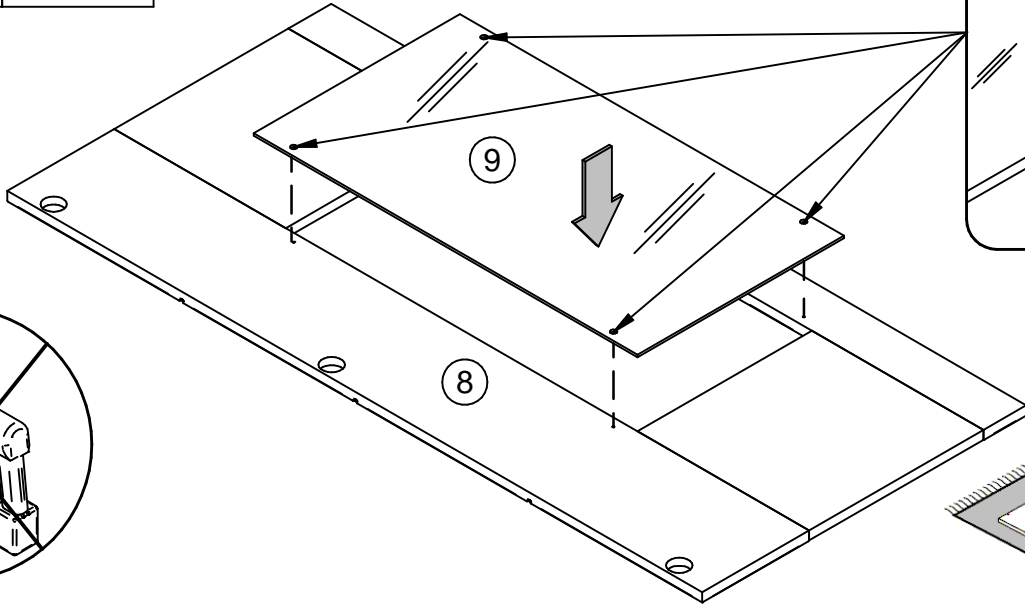


! BT1015








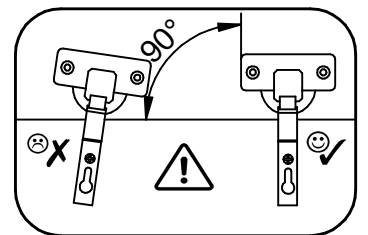
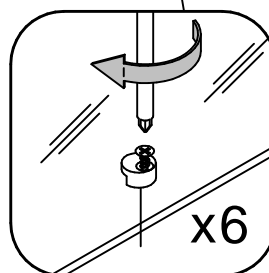
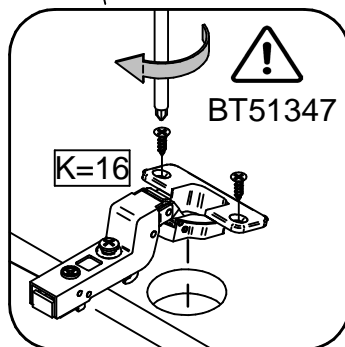
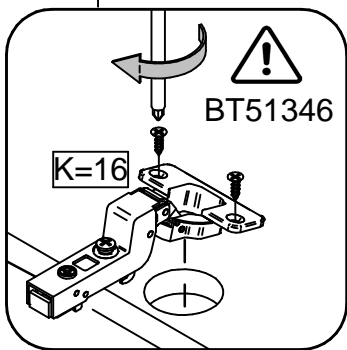
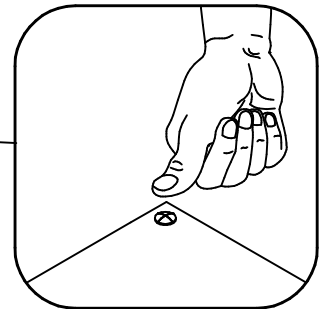
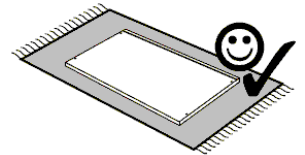
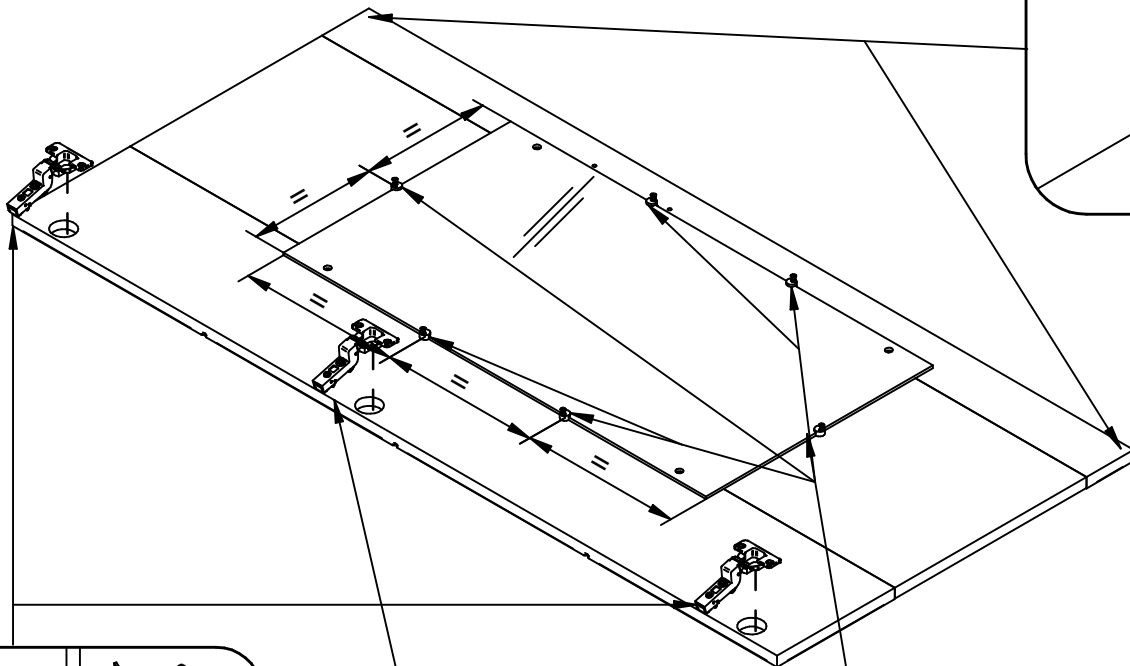
3.

MM1134	BT51367
	
Ø4x15	Ø9x6
x4	x4

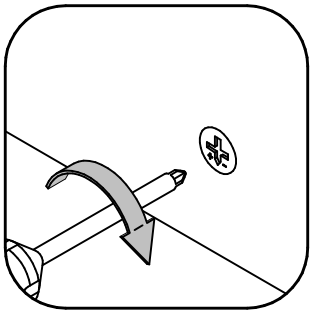
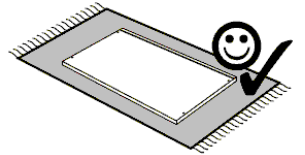
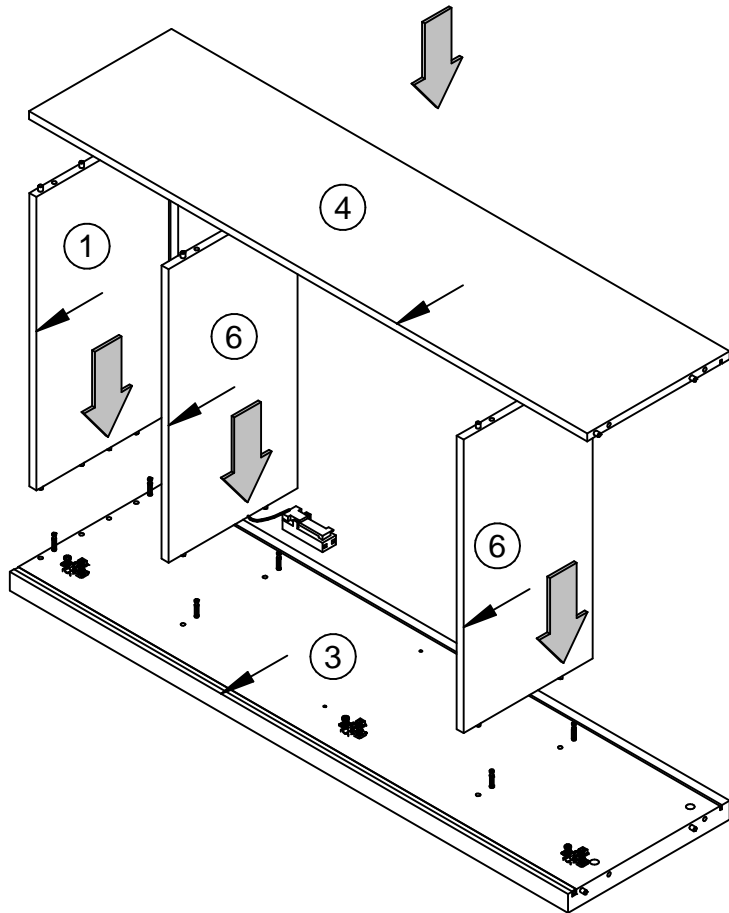
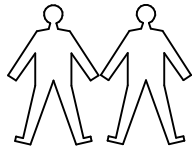


4.

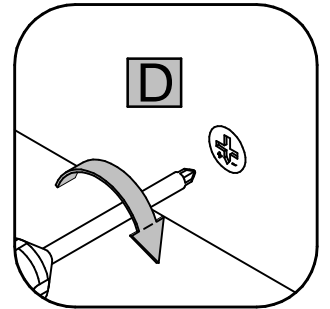
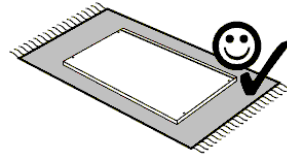
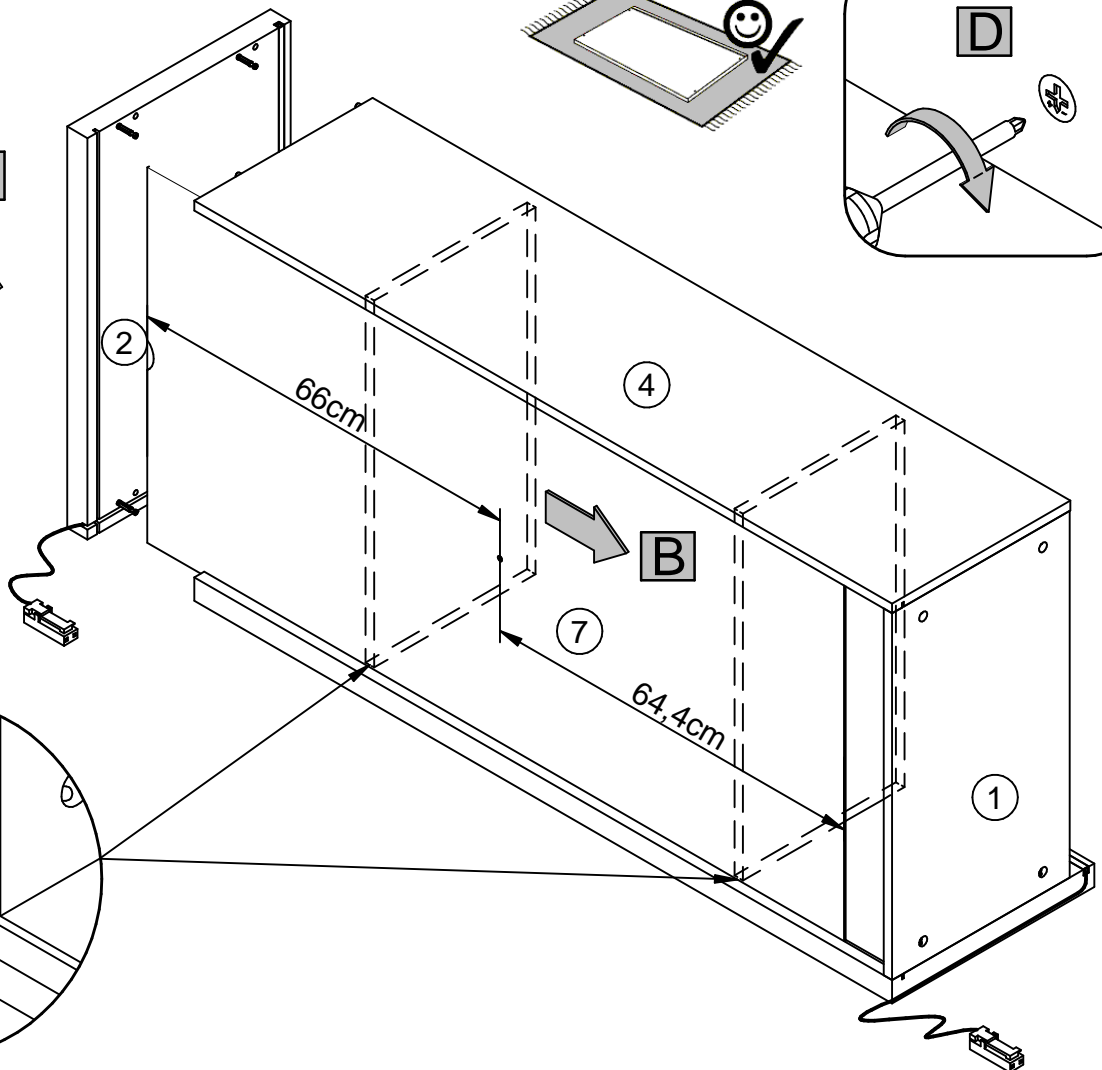
MM1046	BT51346	BT51347	MM1070	BT1089
				
Ø3,5x13	K=16	K=16	Ø7x1,5	
x6	x2	x1	x2	x6



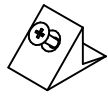
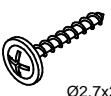
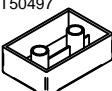
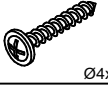
5.

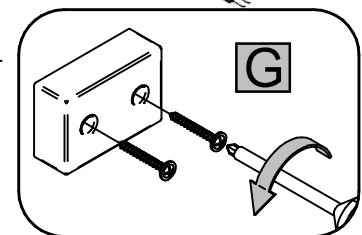
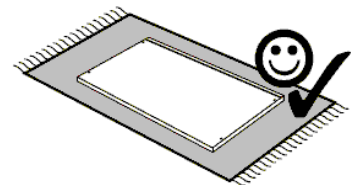
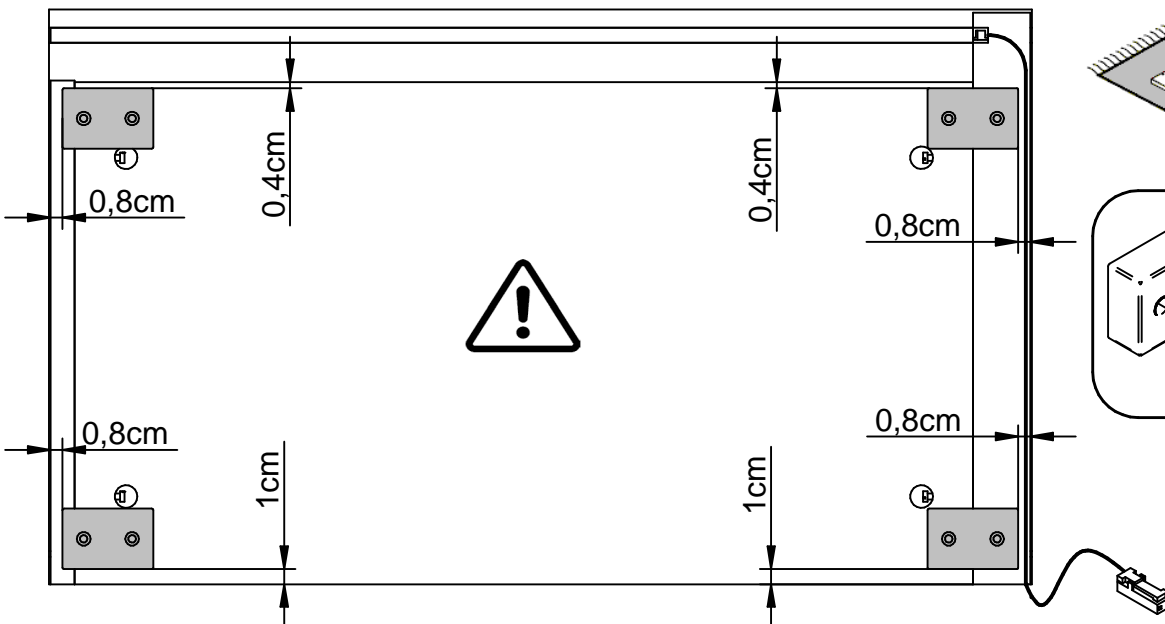
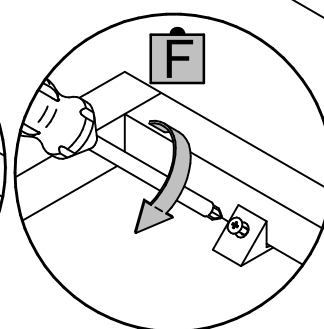
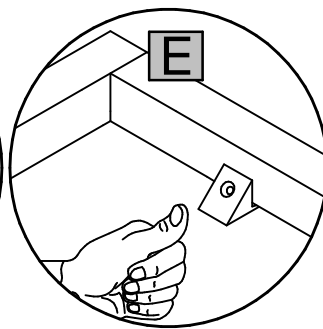
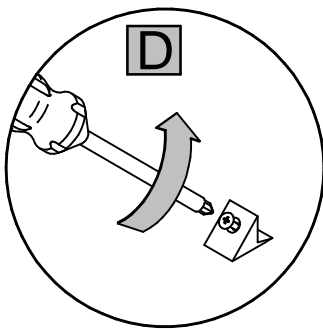
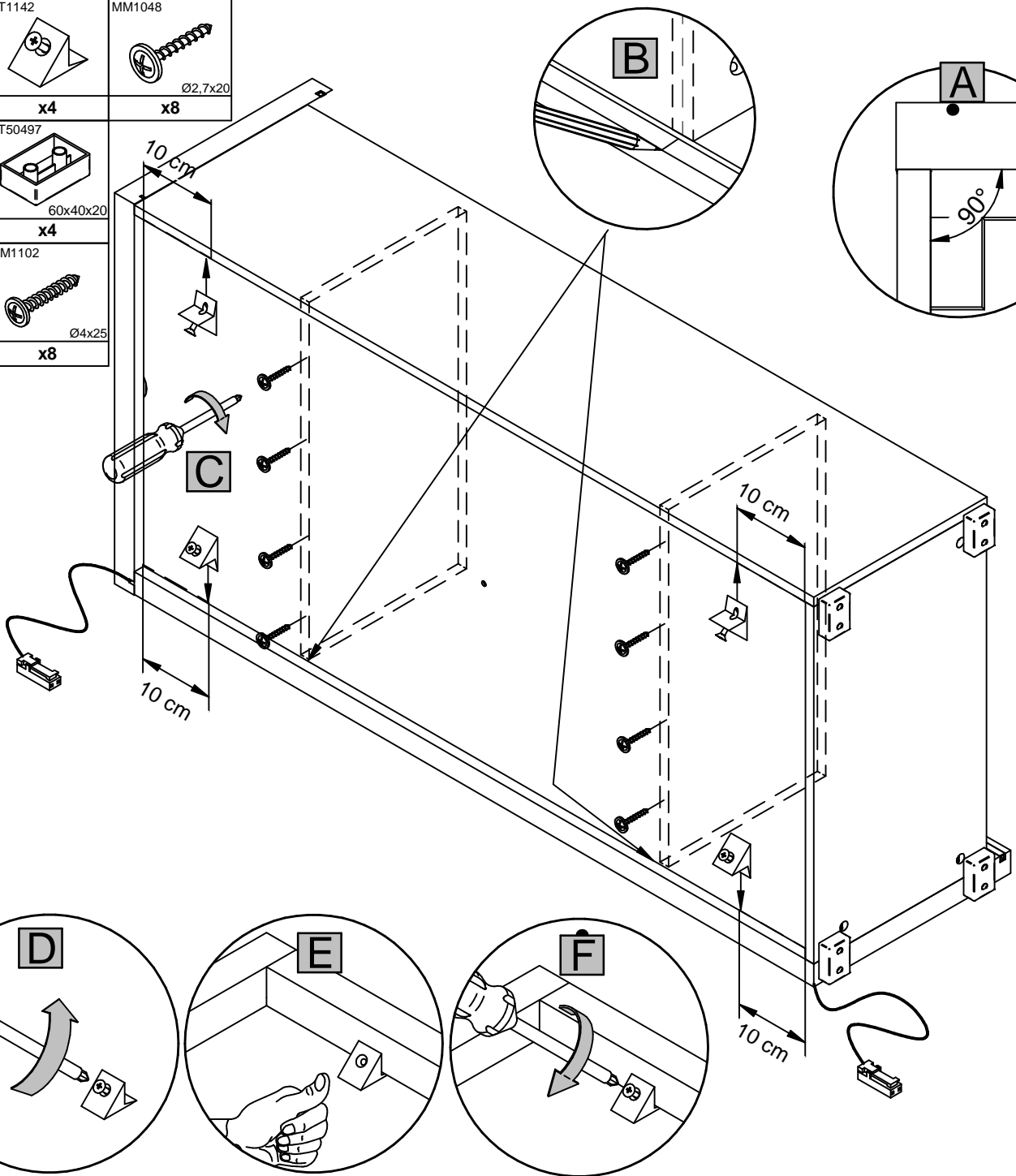


6.

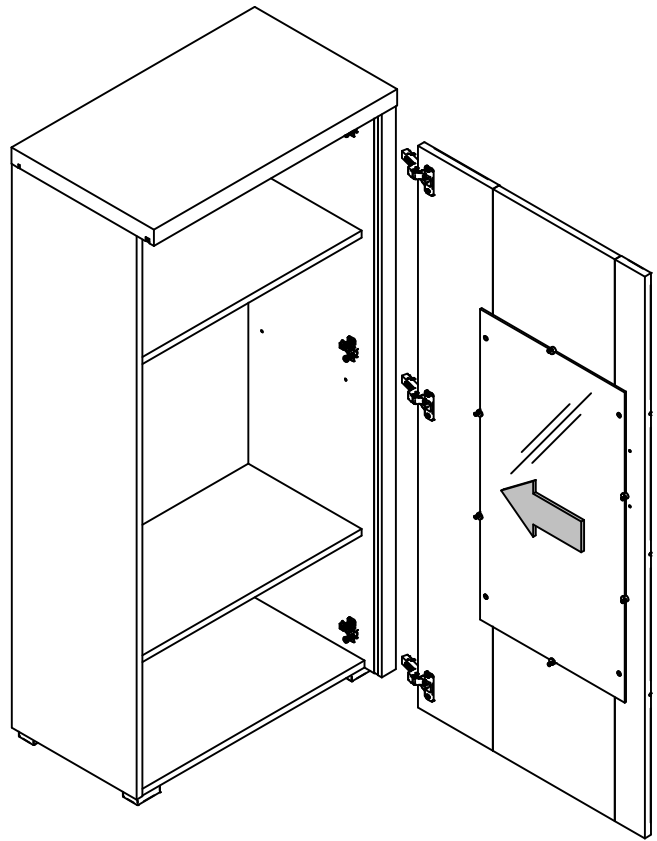
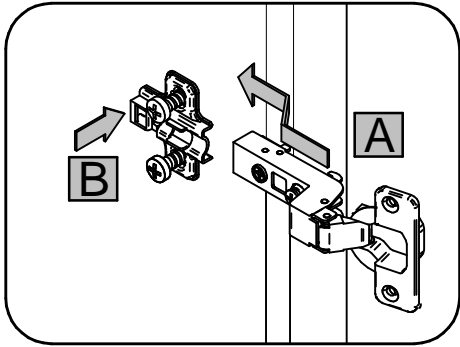
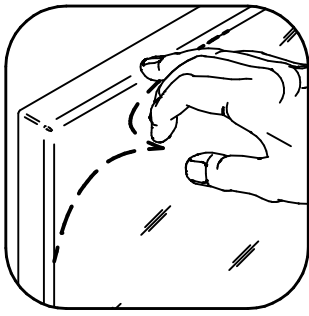


7.

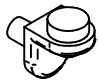

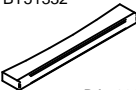

BT1142  x4	MM1048  Ø2,7x20 x8
BT50497  60x40x20 x4	
MM1102  Ø4x25 x8	

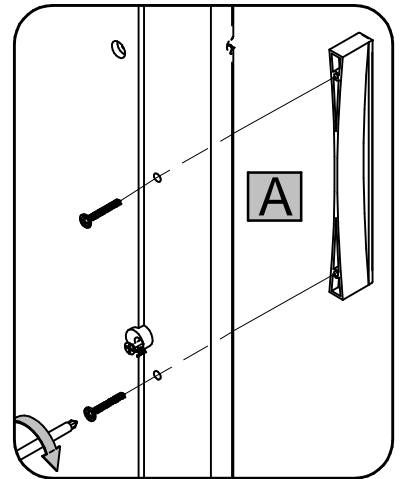
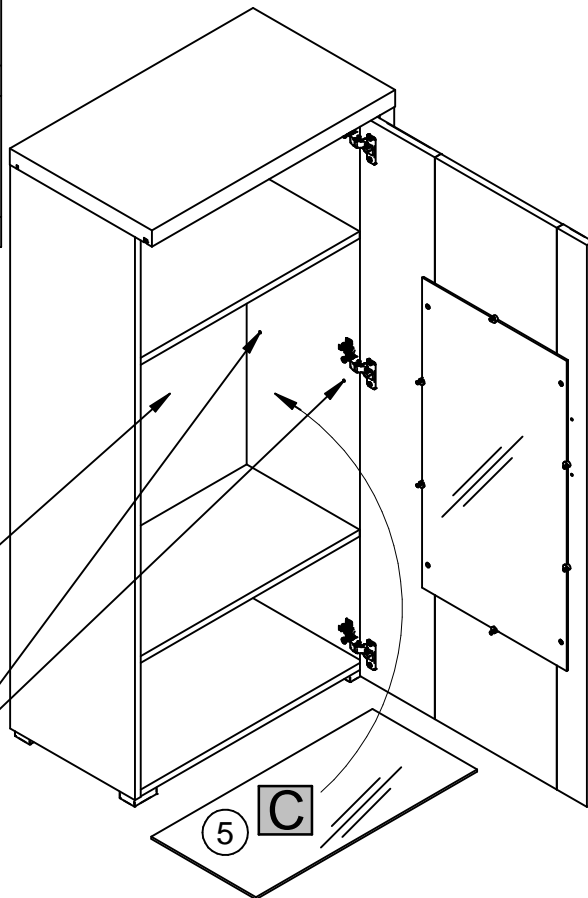
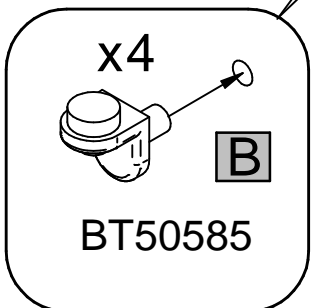
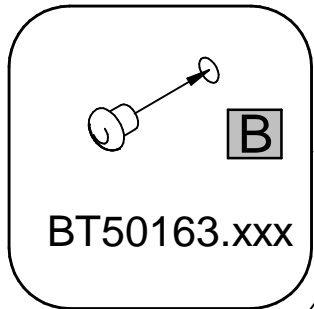


8.

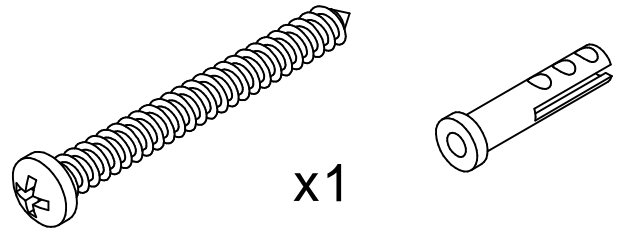


9.

BT50585  x4	BT50163.xxx  x1 Ø8
BT51332  BA=128 x1	MM1022  M4x24 x2

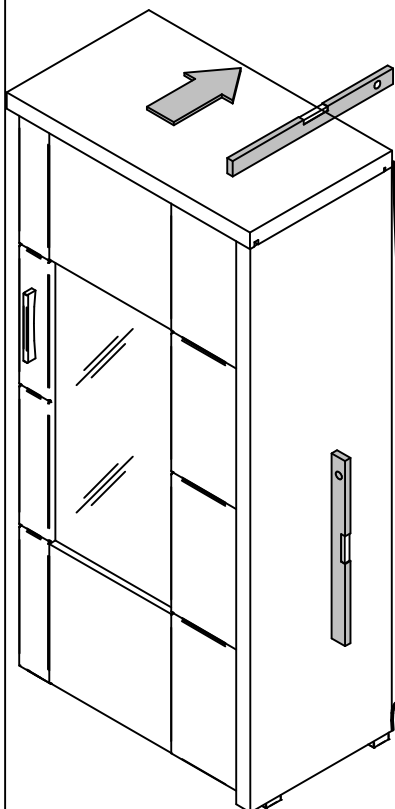
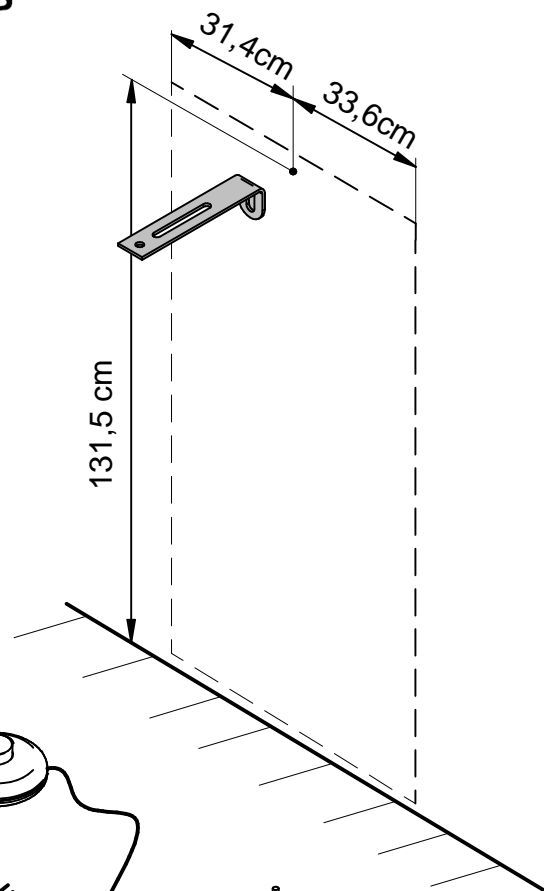
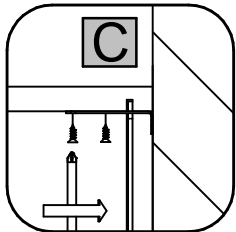
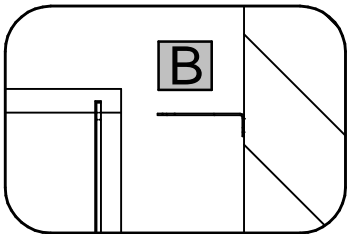
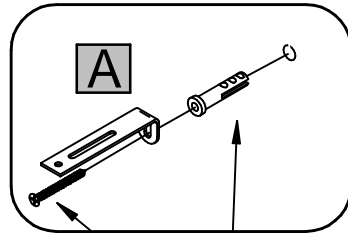
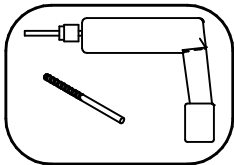
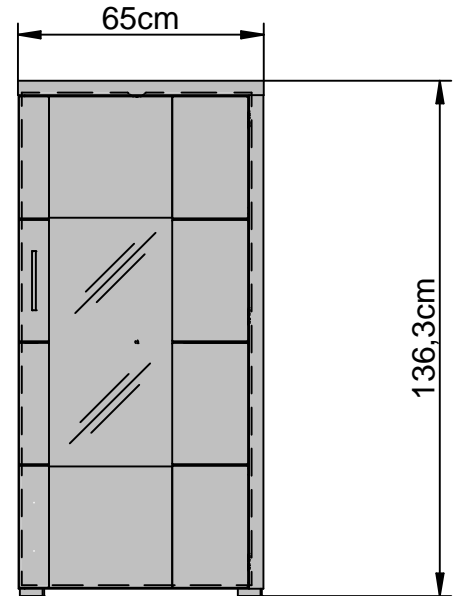


10.



11.

BT1121 	MM1046 	ZU50325B_Trafo
x1	x2 Ø3,5x13	x1



D

