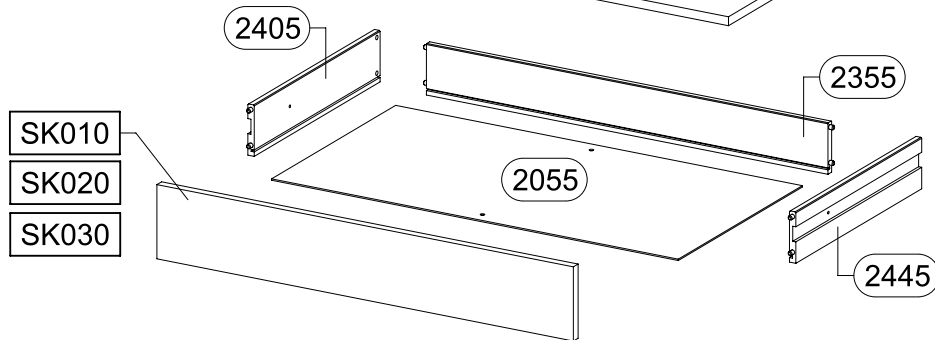
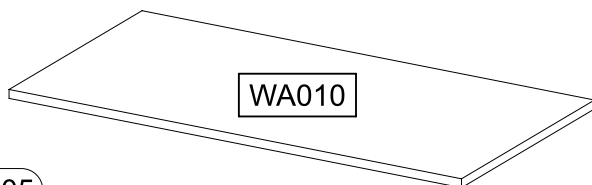
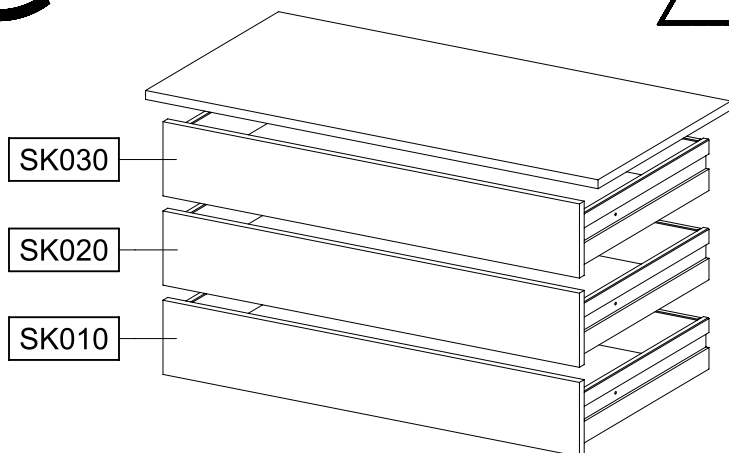
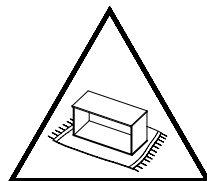
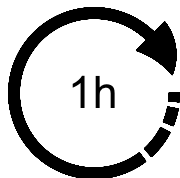
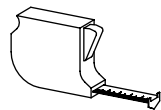
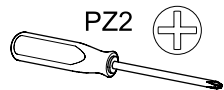
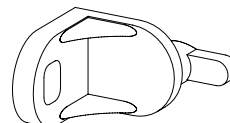


M3254_01



6x

1



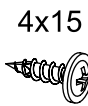
12x

14



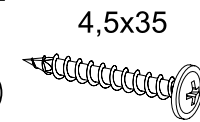
6x

201



18x

214



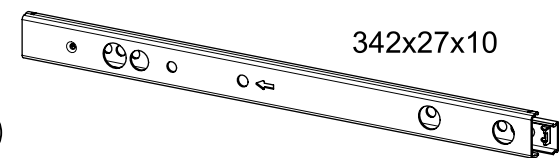
18x

534



6x

1396



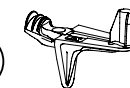
6x

568



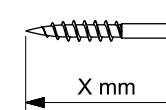
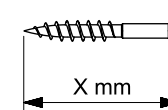
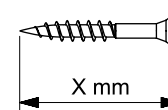
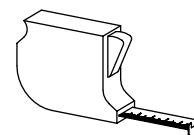
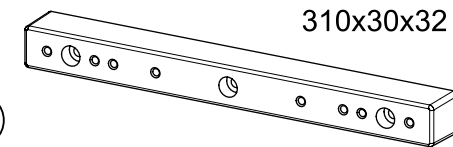
4x

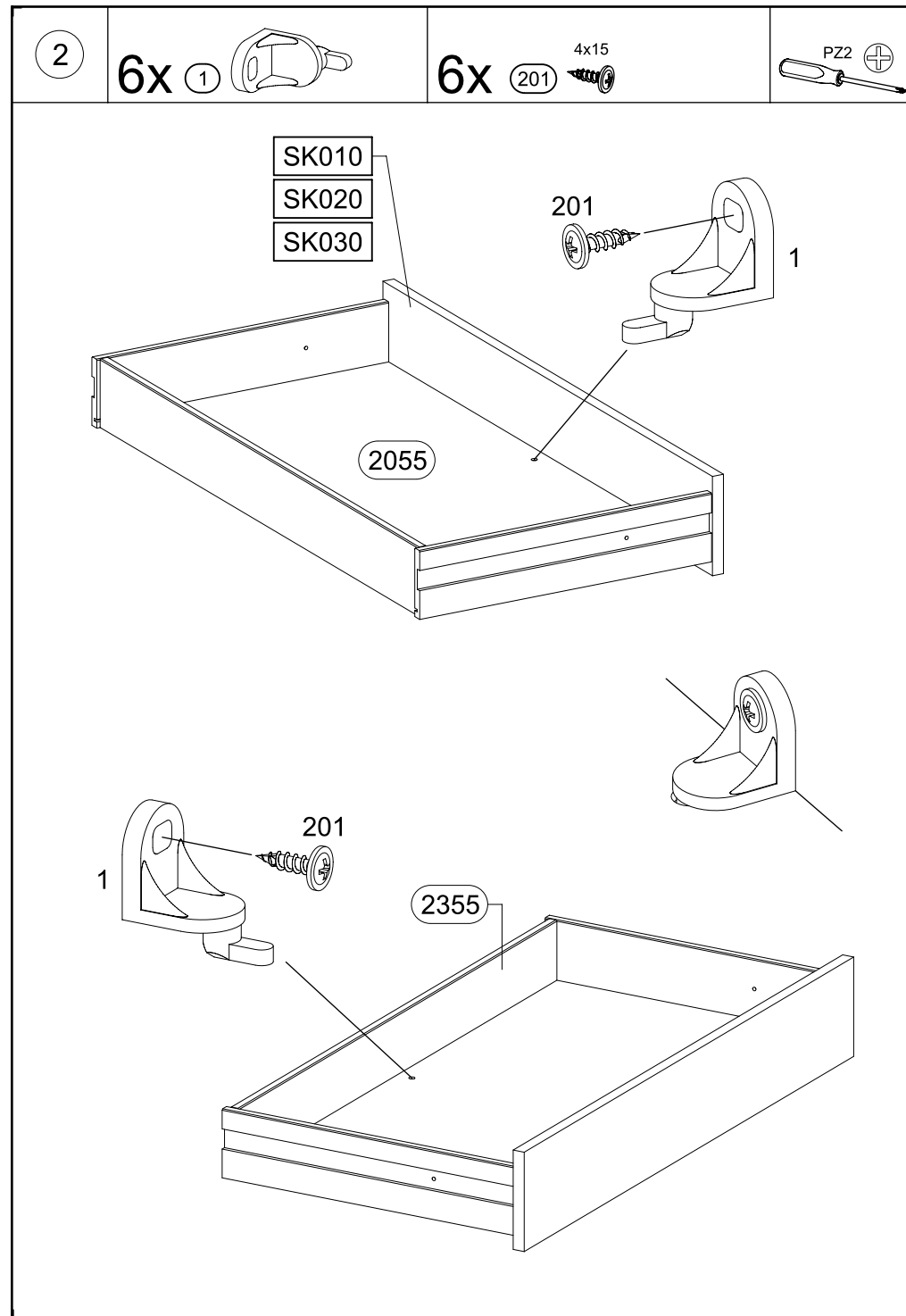
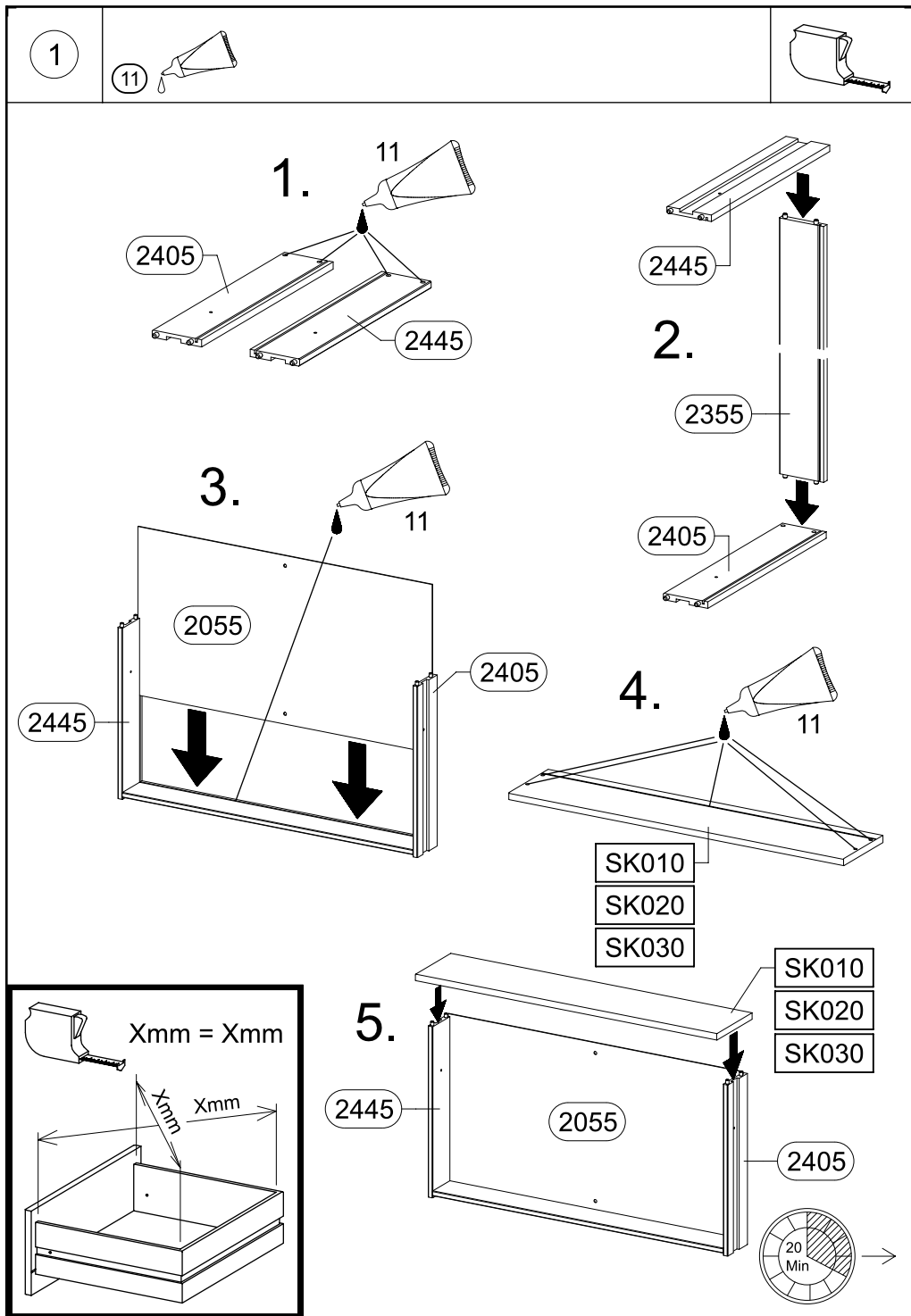
1105



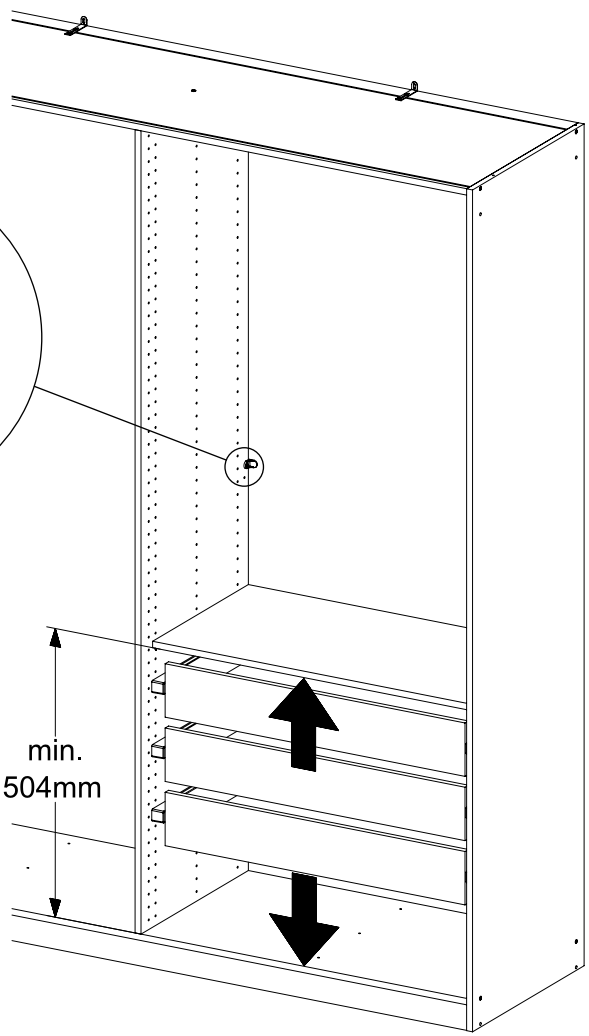
6x

1399





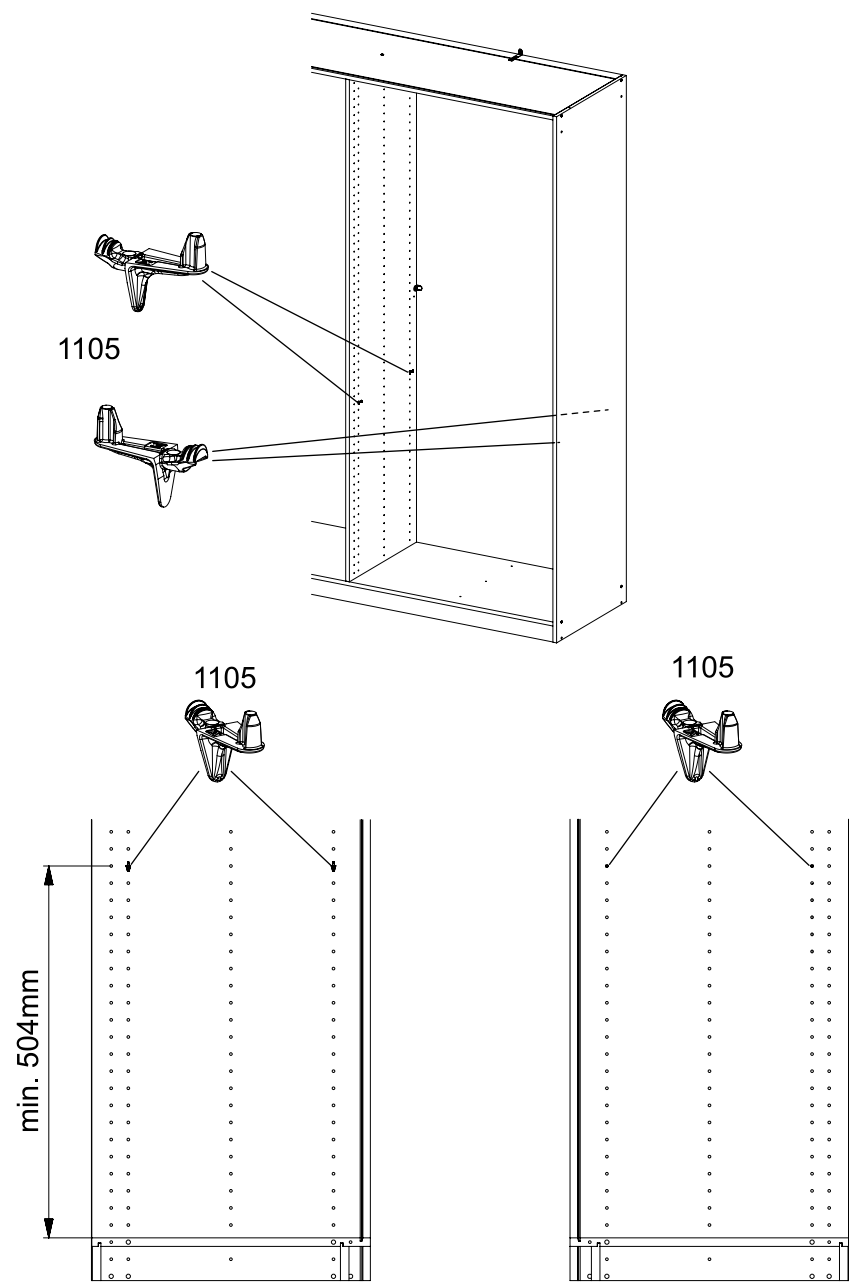
3



min. 504mm

4

4x 1105

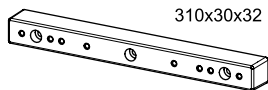


min. 504mm

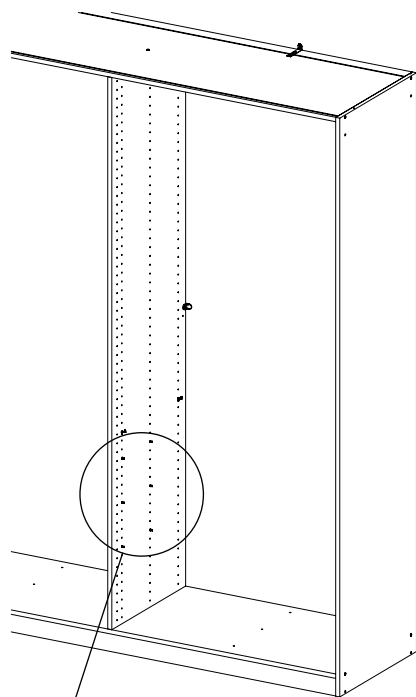
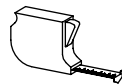
5

6x 14

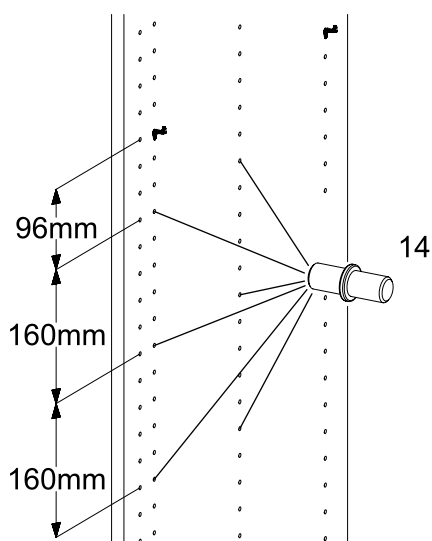
3x 1399



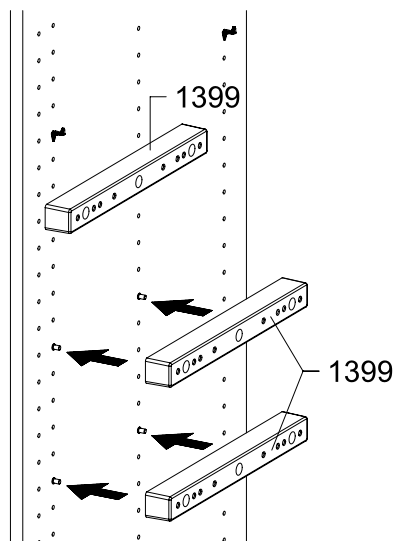
310x30x32



1.



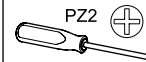
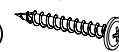
2.



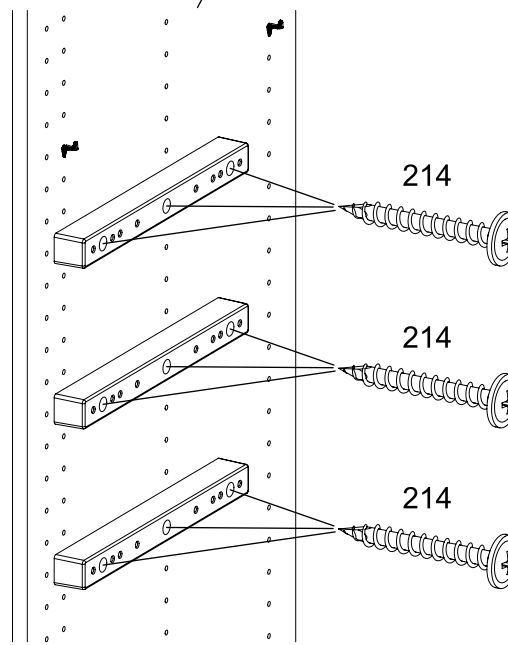
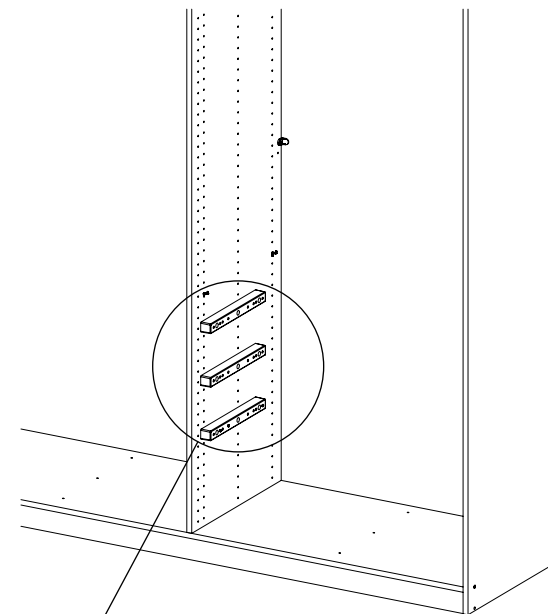
6

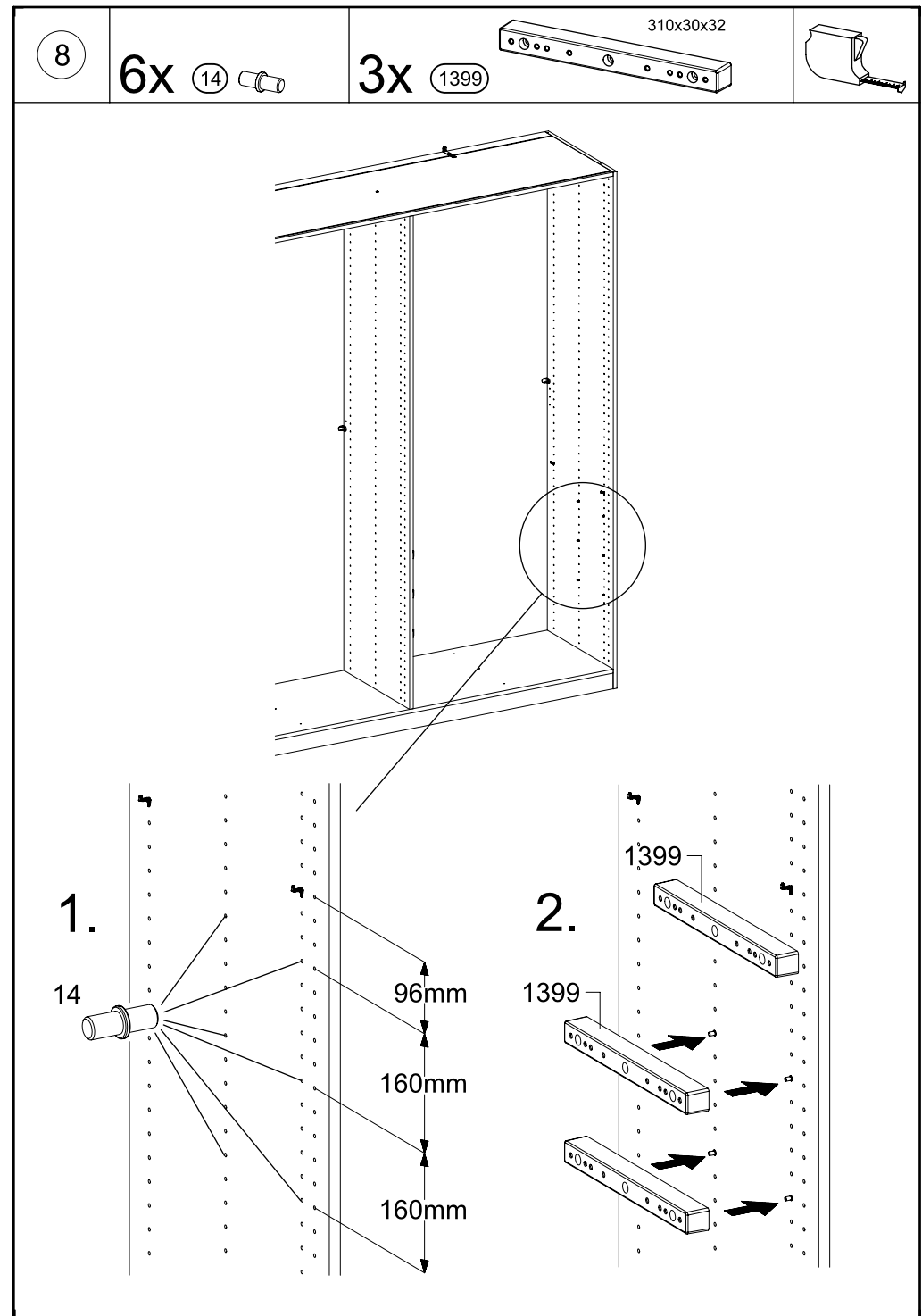
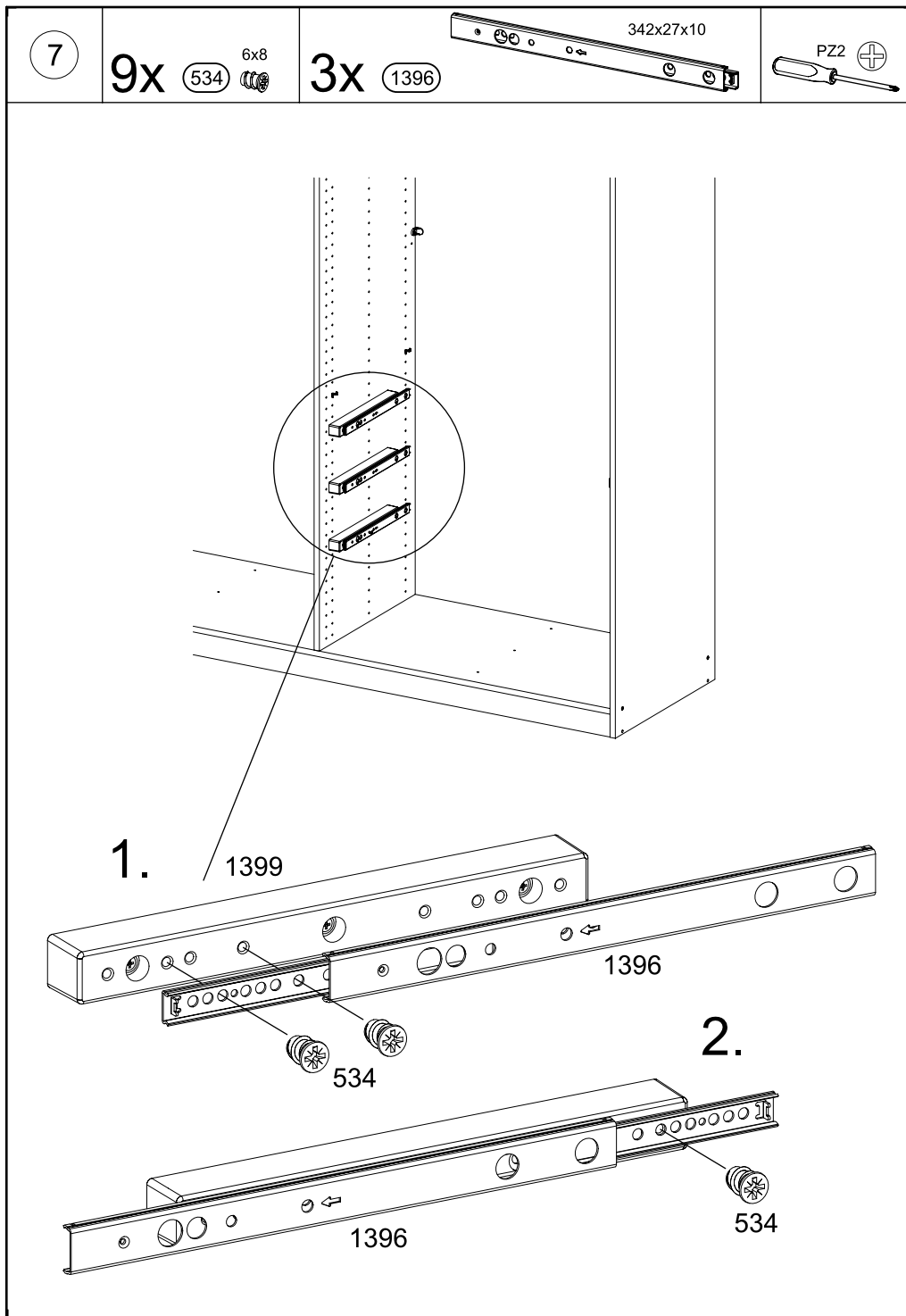
9x 214

4,5x35



PZ2

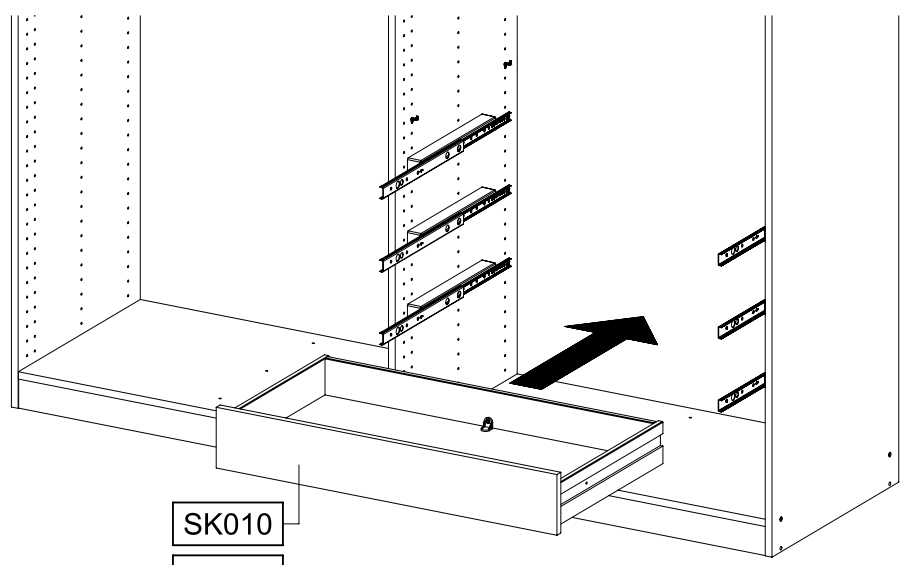




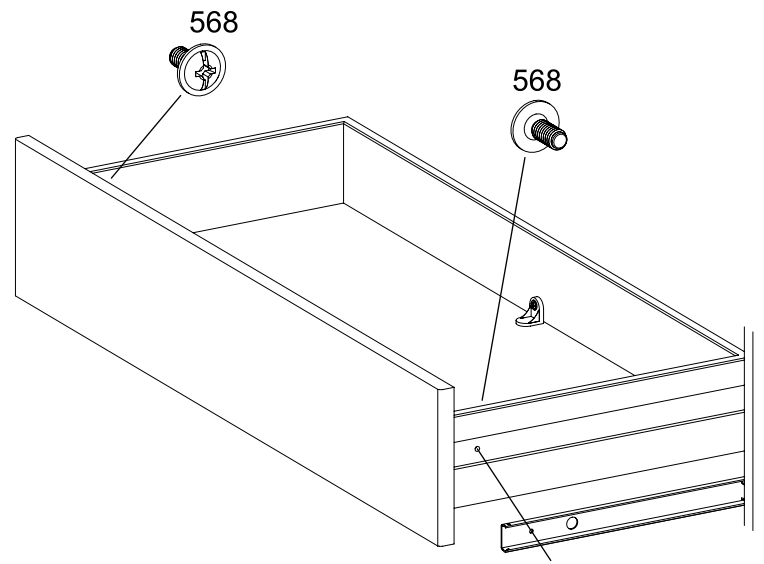
11

6x 568 M4x9

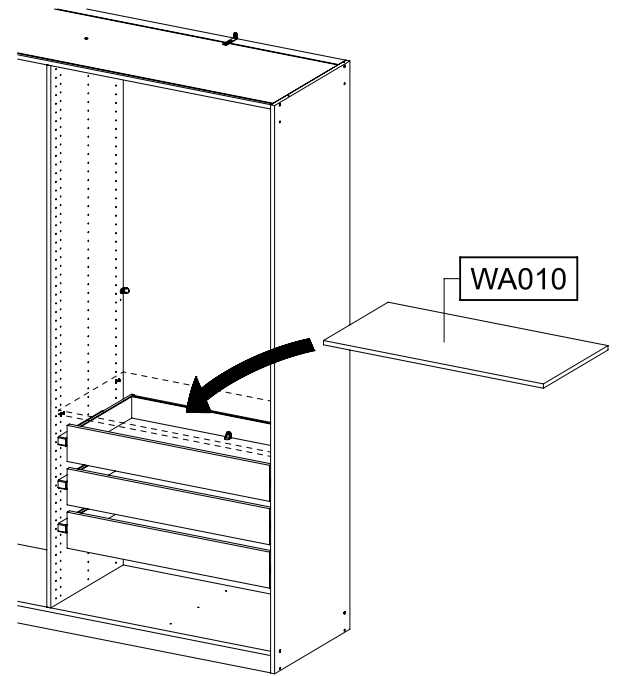
PZ2



SK010
SK020
SK030



12



WA010

