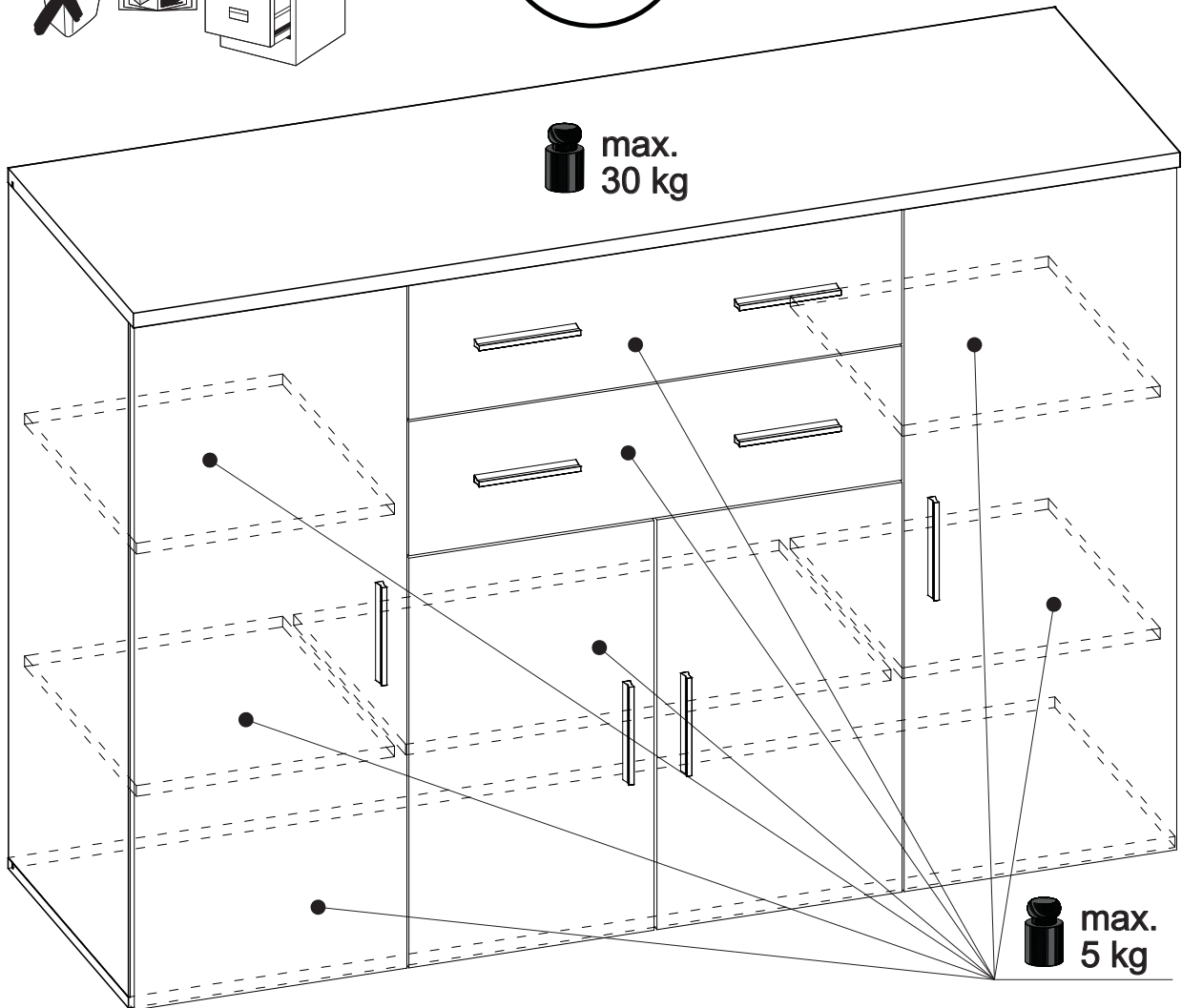
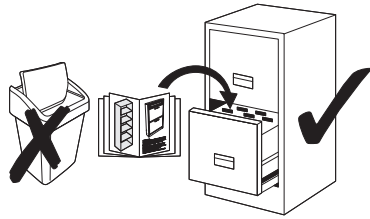


1803

TRIO TYP 03

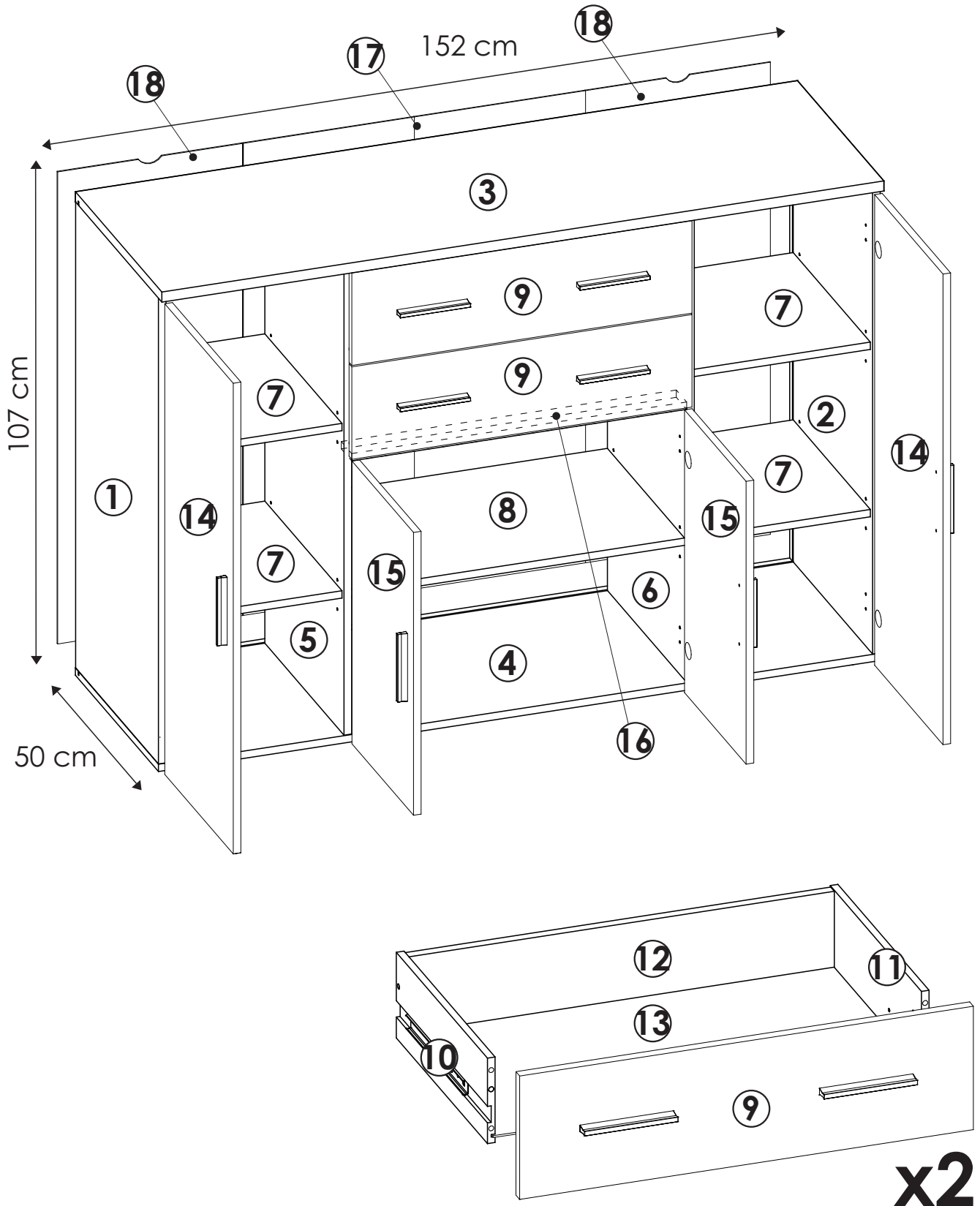


- ① - C2 ② - C2 ③ - C3 ④ - C3 ⑤ - C2 ⑥ - C2
- ⑦ - C3 ⑧ - C3 ⑨ - C1 ⑩ - C3 ⑪ - C3 ⑫ - C1
- ⑬ - C2 ⑭ - C1 ⑮ - C1 ⑯ - C1 ⑰ - C2 ⑱ - C2




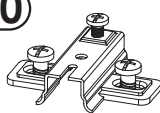
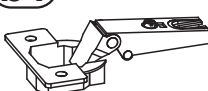
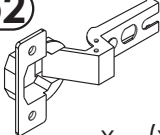


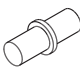





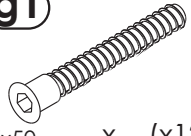
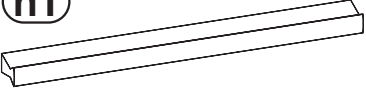






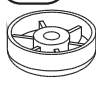
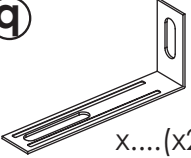
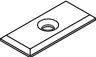


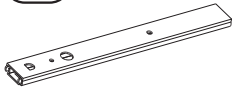
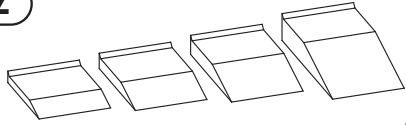
1803

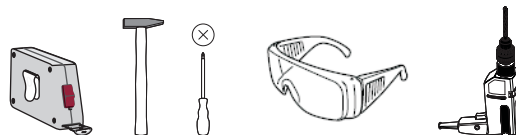
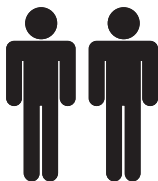
TRIO TYP 03



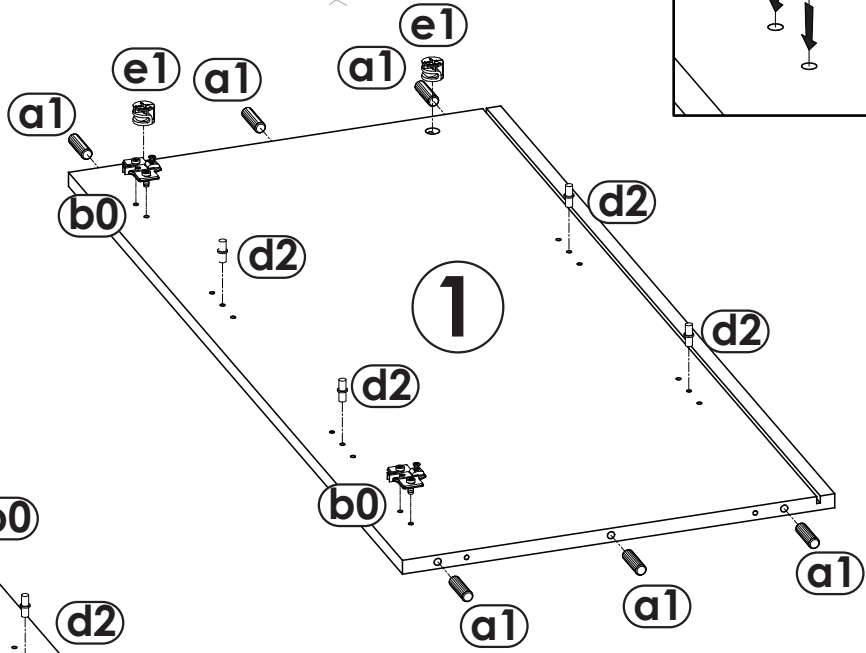
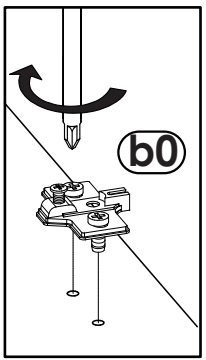
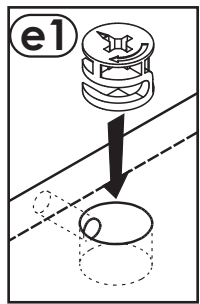
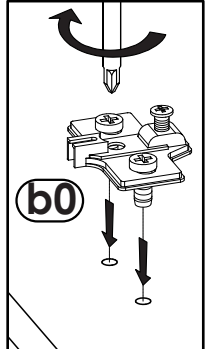
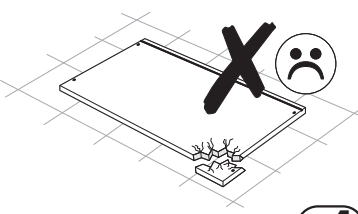
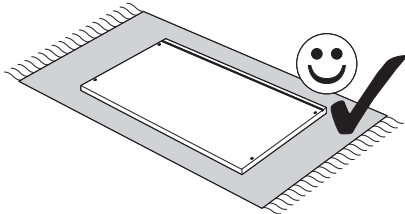
TRIO TYP 03



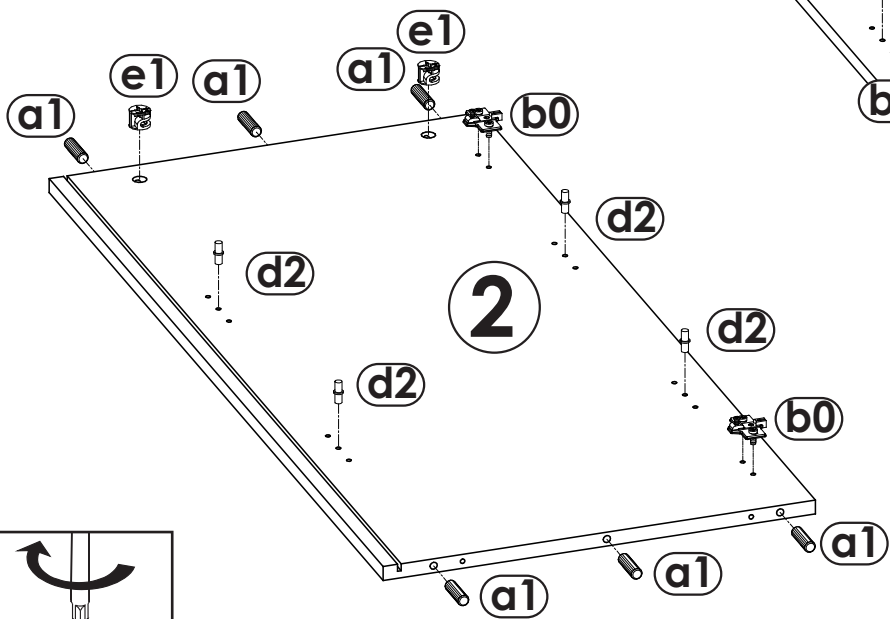
a1  8x35 x...(x34)	b0  x...(x8)	b1  x...(x4)	b2  x...(x4)	c1  Euro 4x13 x...(x16)	c2  Euro 5x13 x...(x8)	d2  x...(x20)		
e0  x...(x10)	e1  x...(x10)	e3  x...(x4)	f1  x...(x14)	g0  x...(x12)	g1  7x50 x...(x12)	h1  x...(x8)		
i2  4x16 x...(x2)	i4  3,5x27 x...(x16)	i10  3,5x22 x...(x6)	k1  4x9 x...(x4)	m  x...(x1)	n1  3x16 x...(x30)	o1  x...(x6)	q  x...(x2)	r1  x...(x14)
r4  x...(x18)	r8  x...(x12)	t27  x...(x4)	z  x...(x1)					



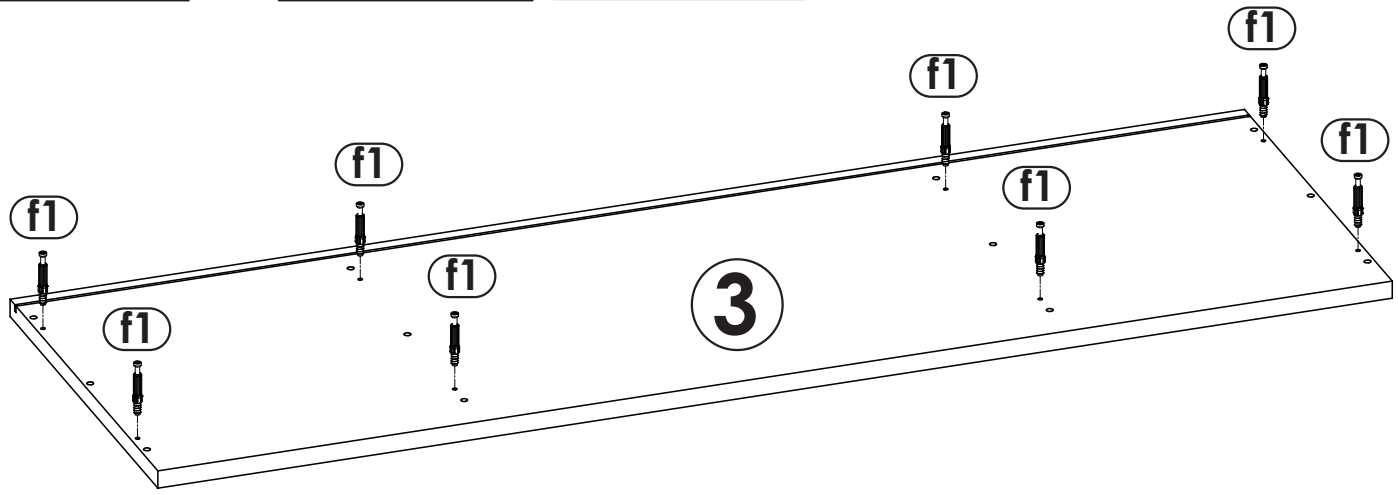
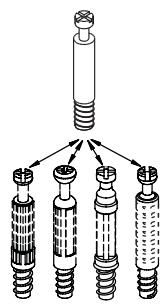
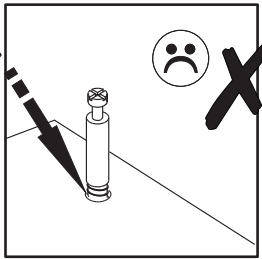
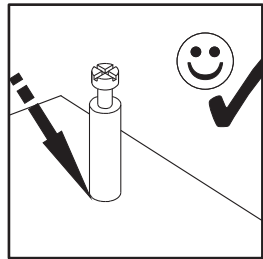
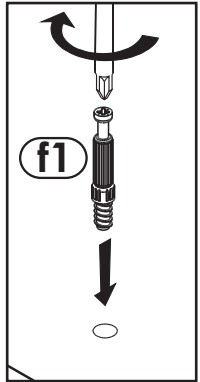
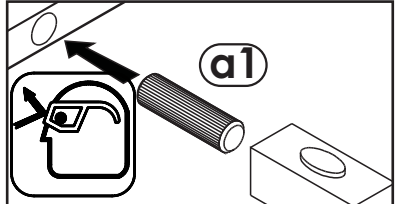
1



1

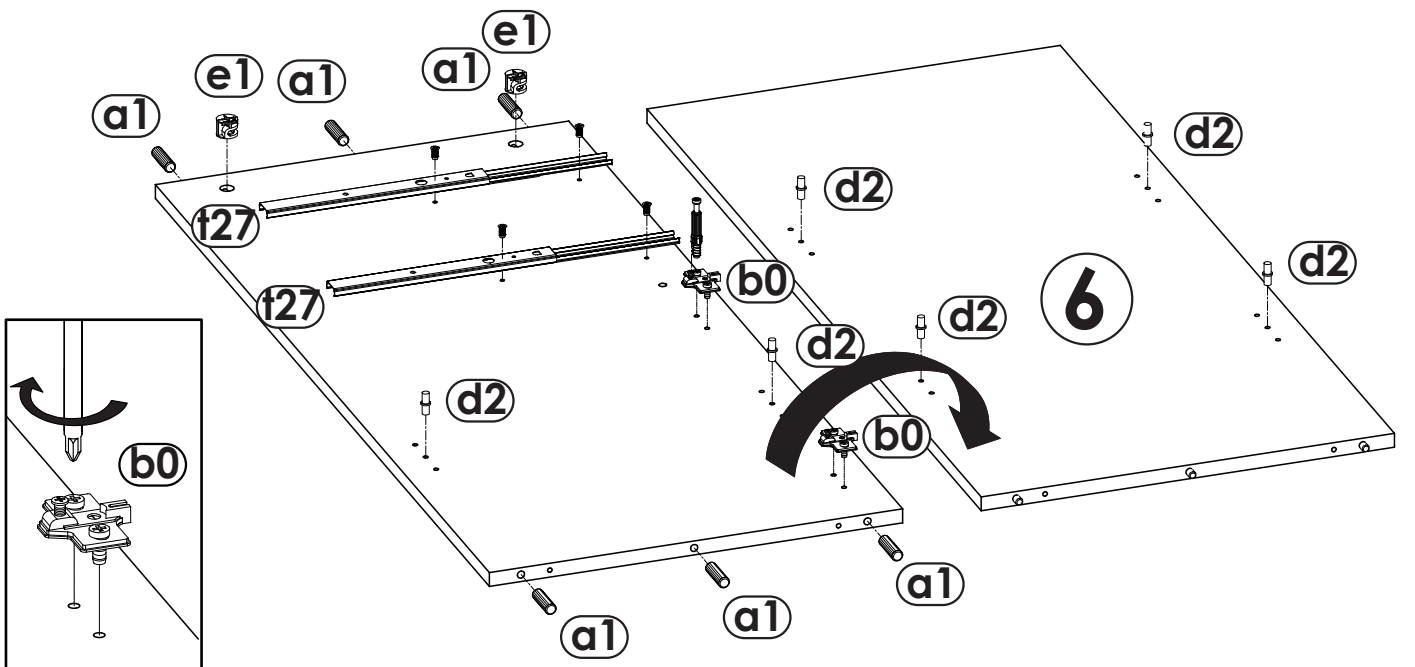
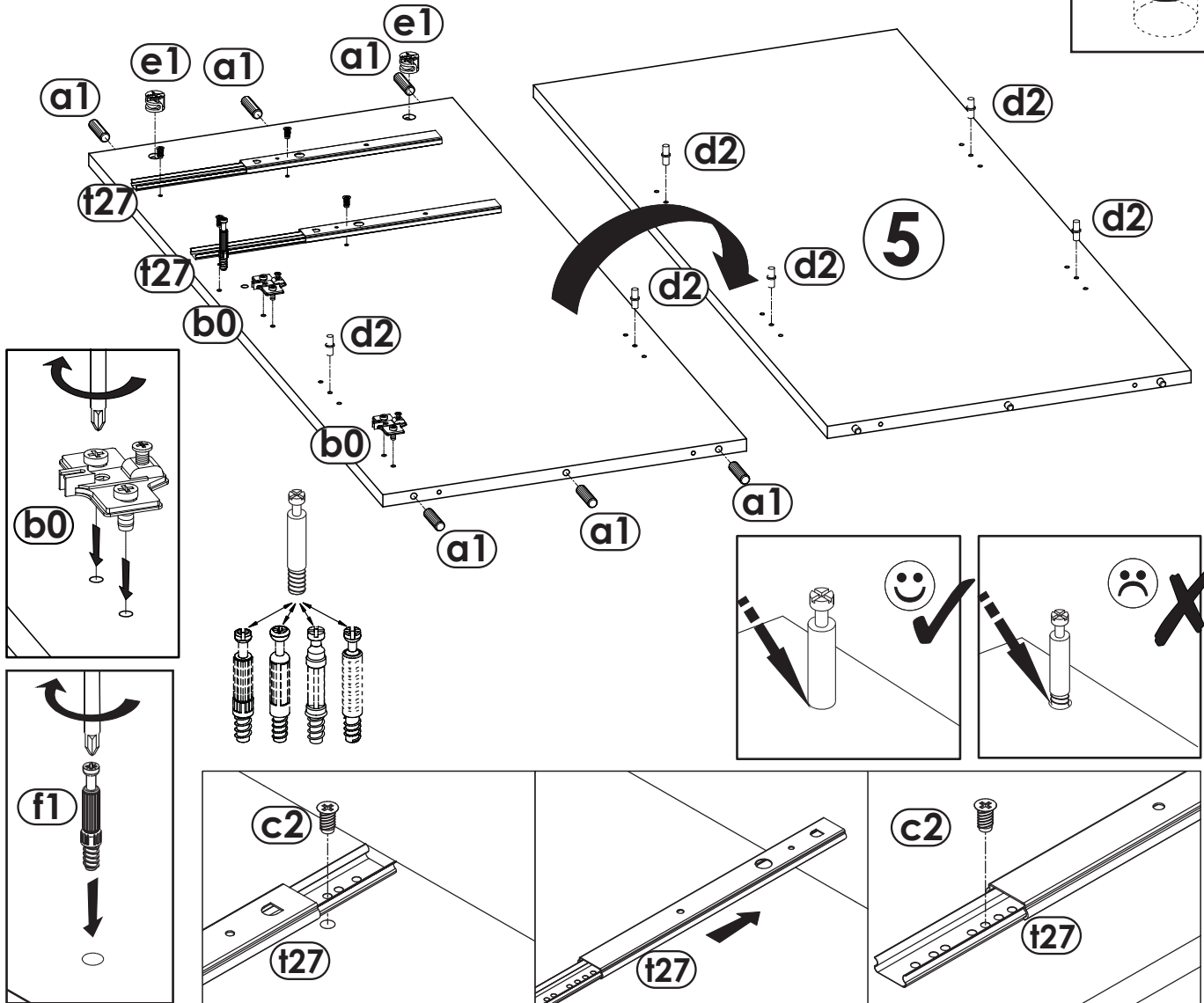
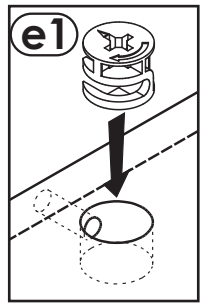
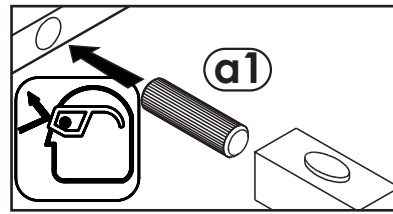
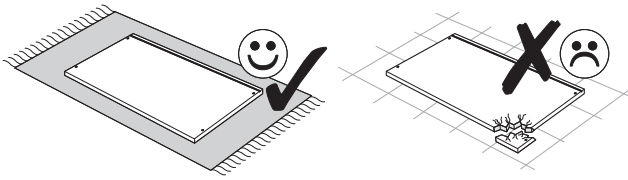


2

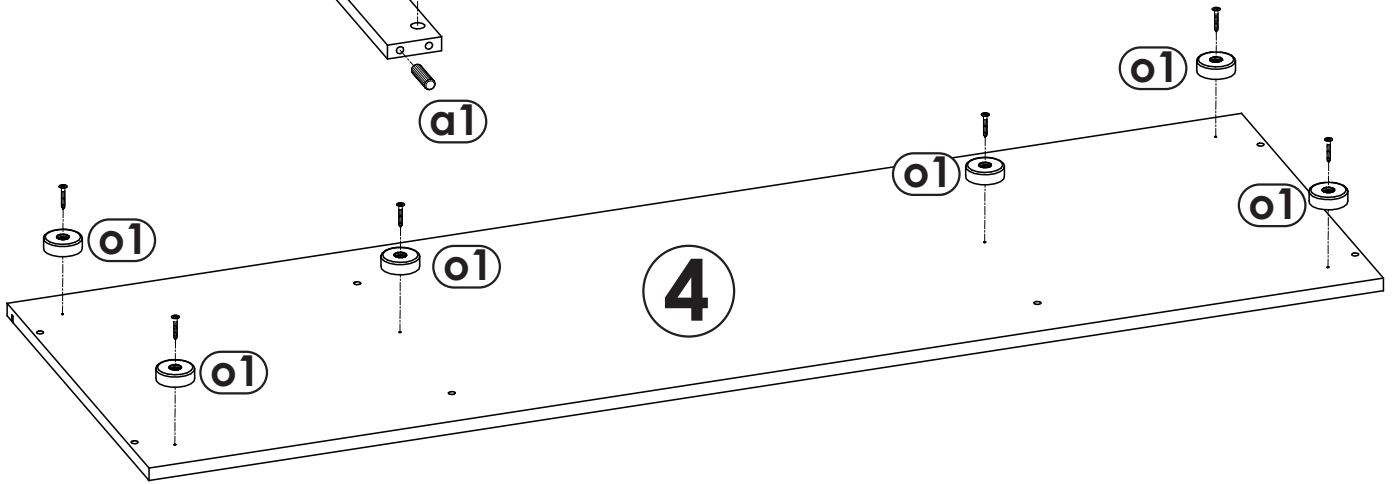
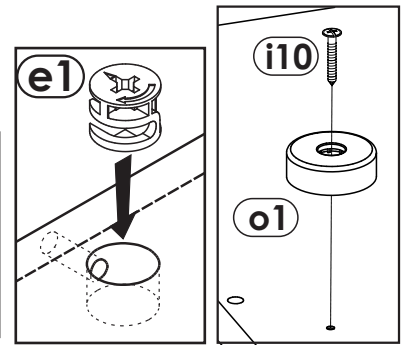
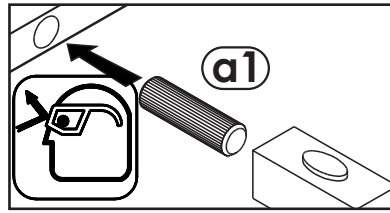
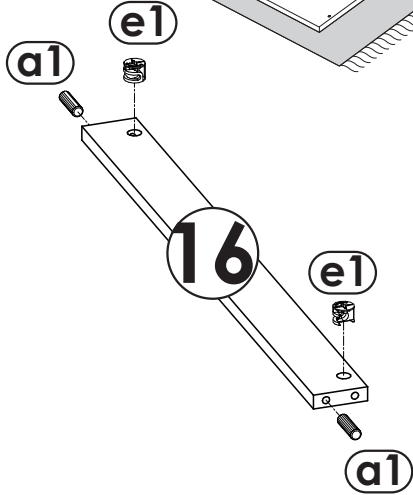
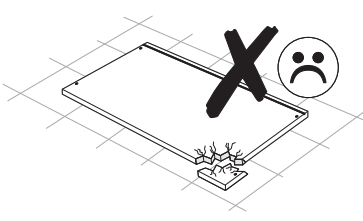
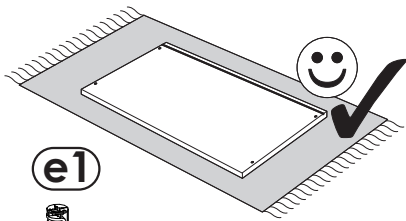


3

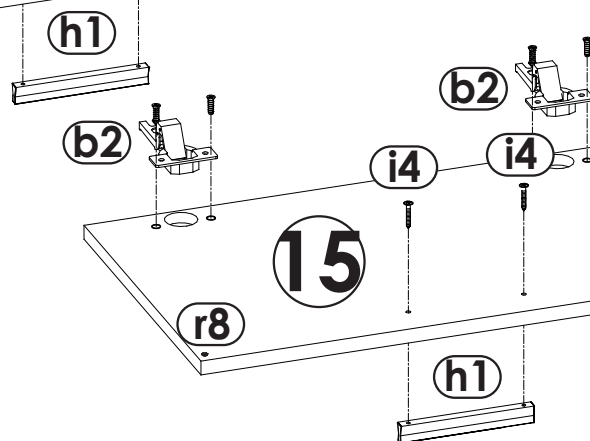
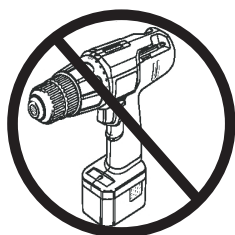
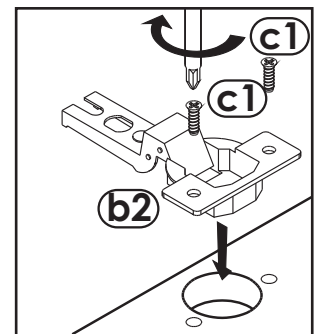
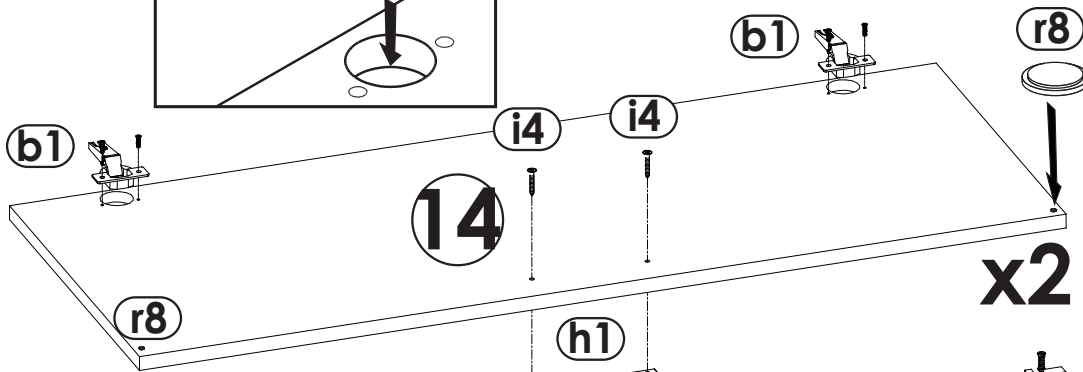
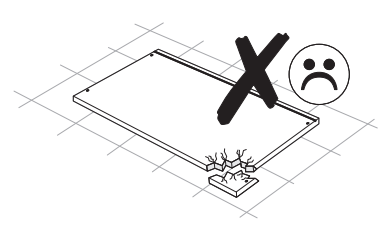
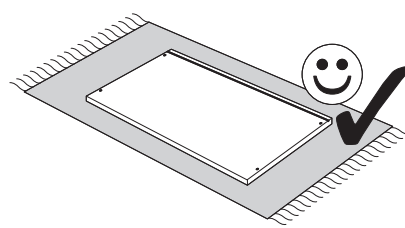
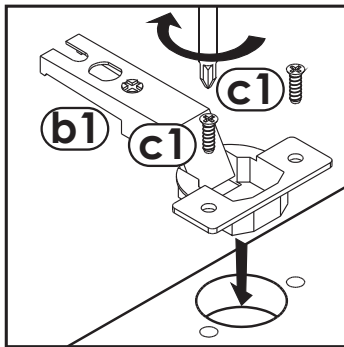
2



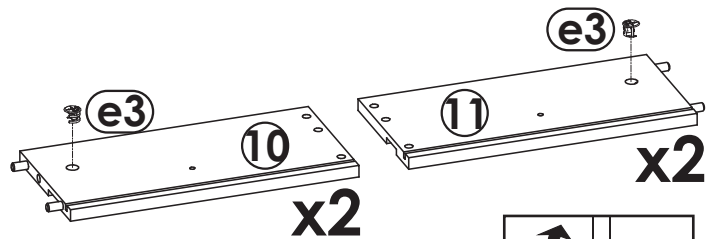
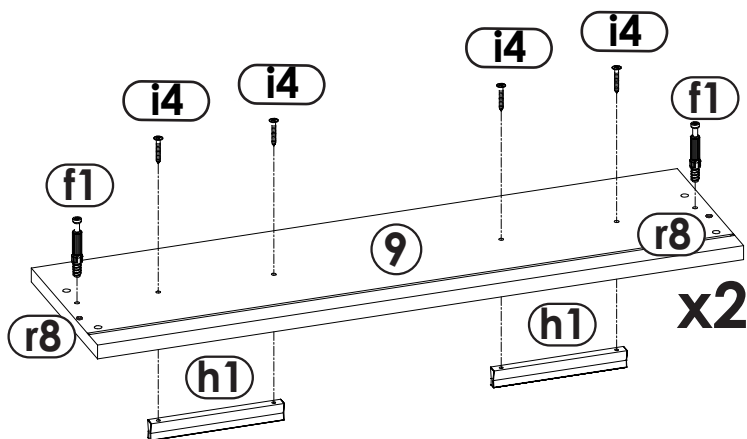
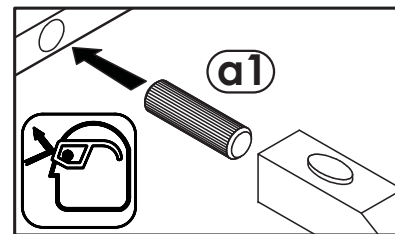
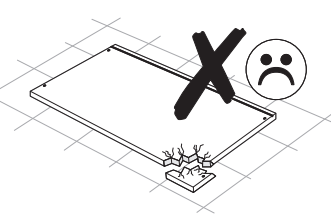
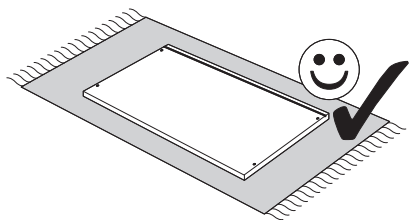
3



4

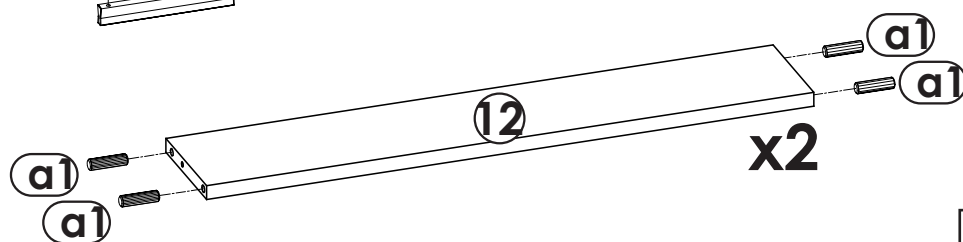
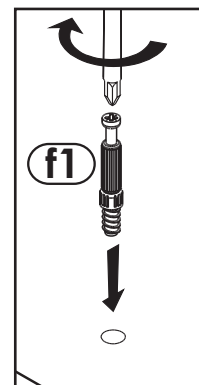


5

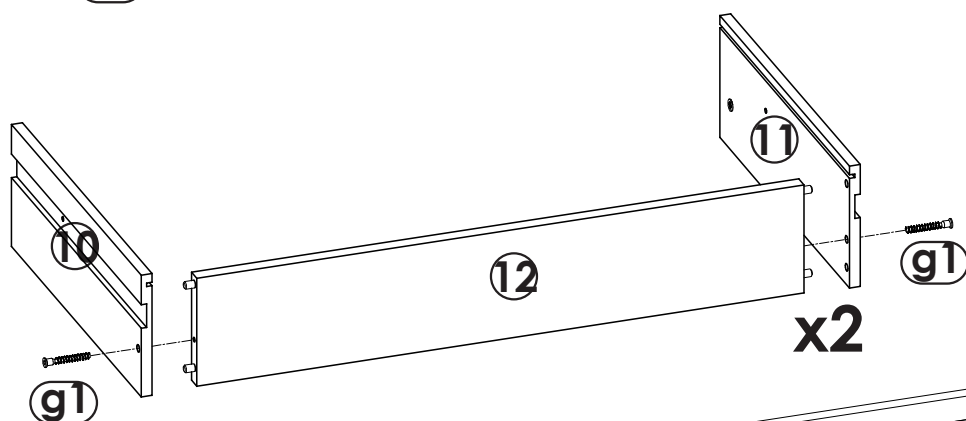


x2

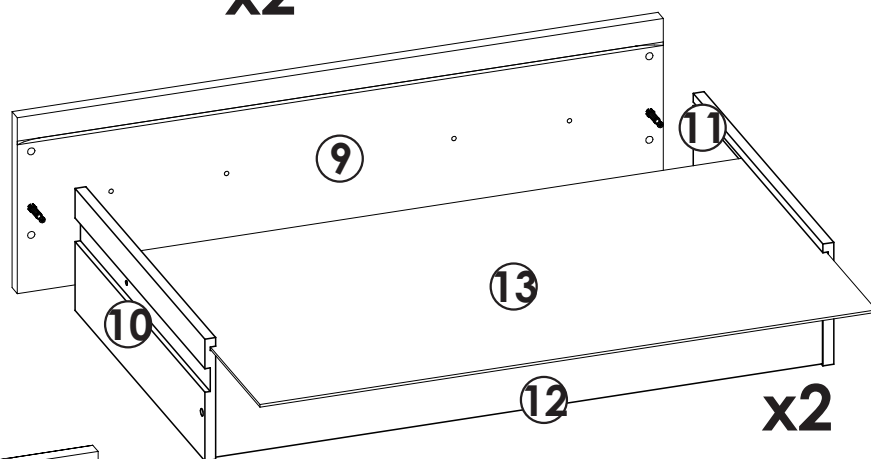
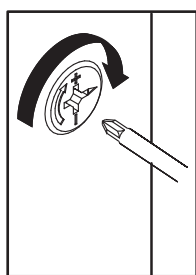
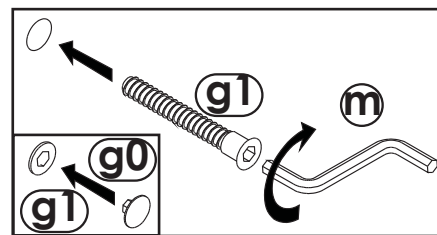
x2



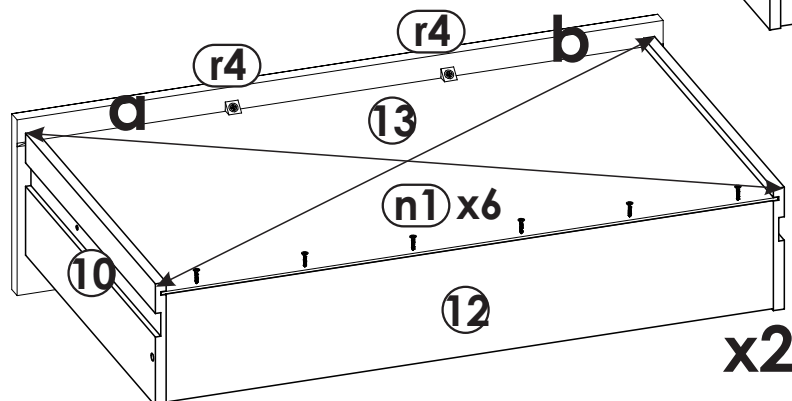
x2



x2

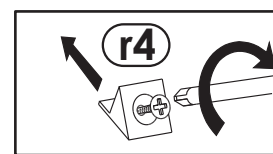


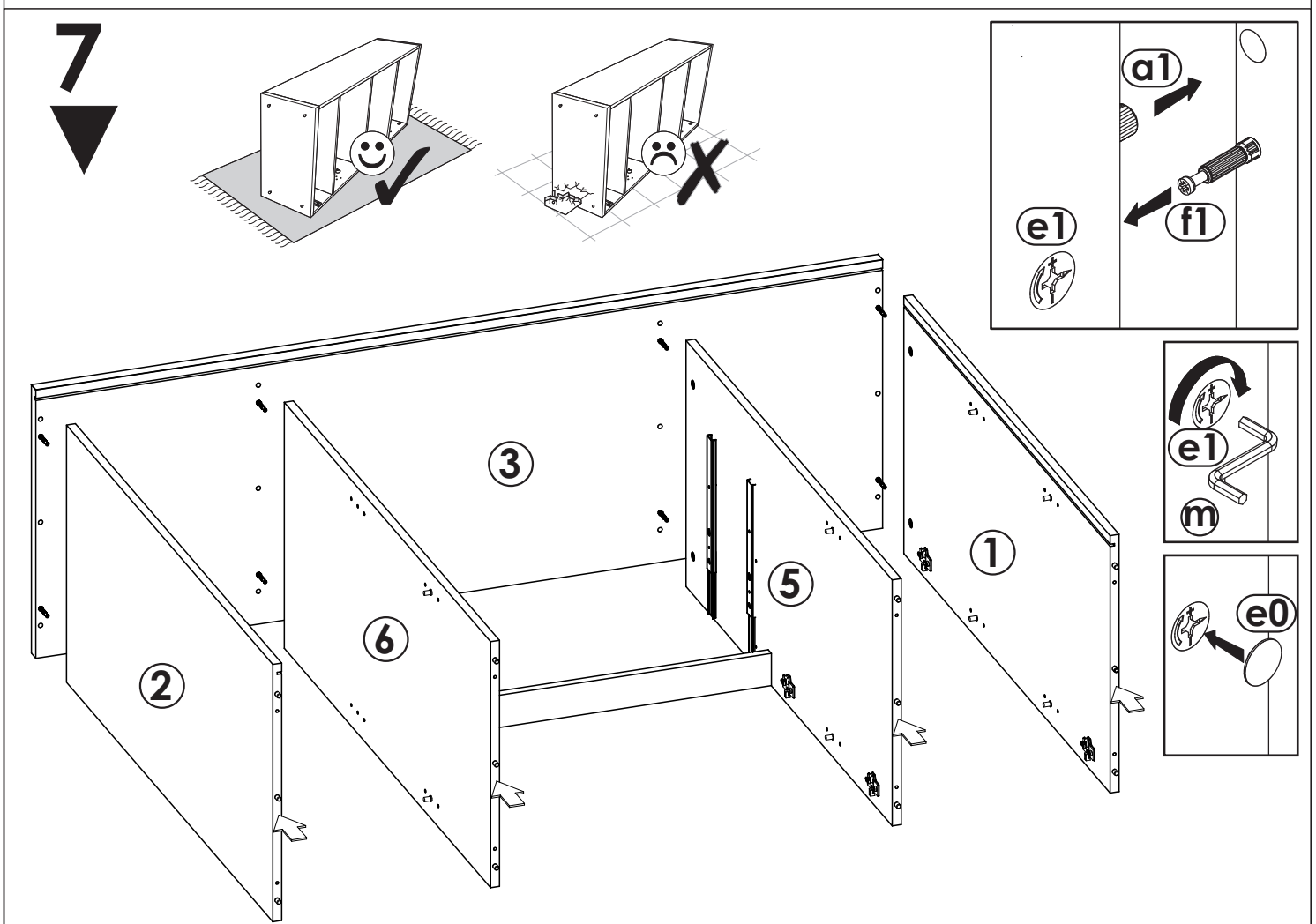
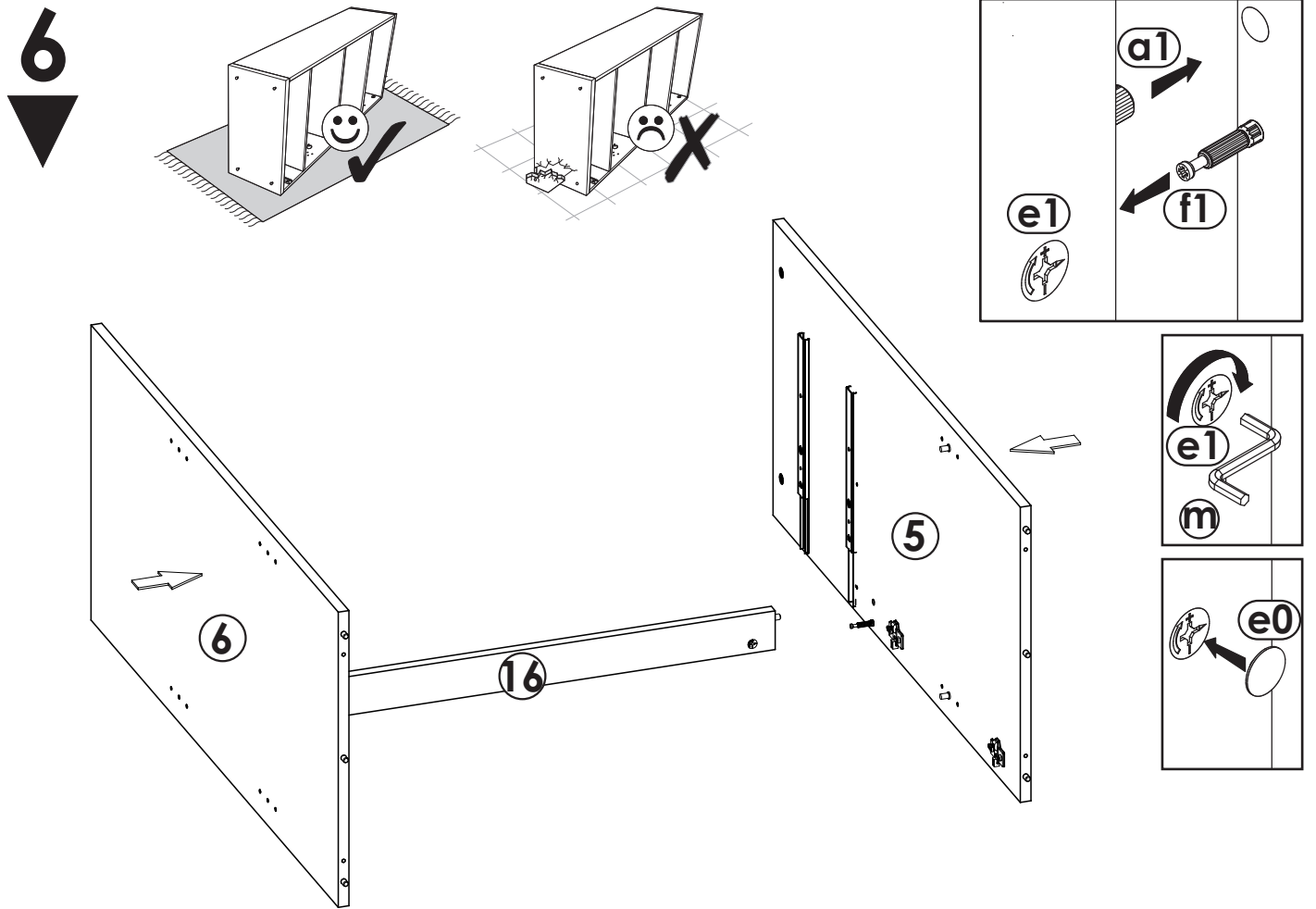
x2



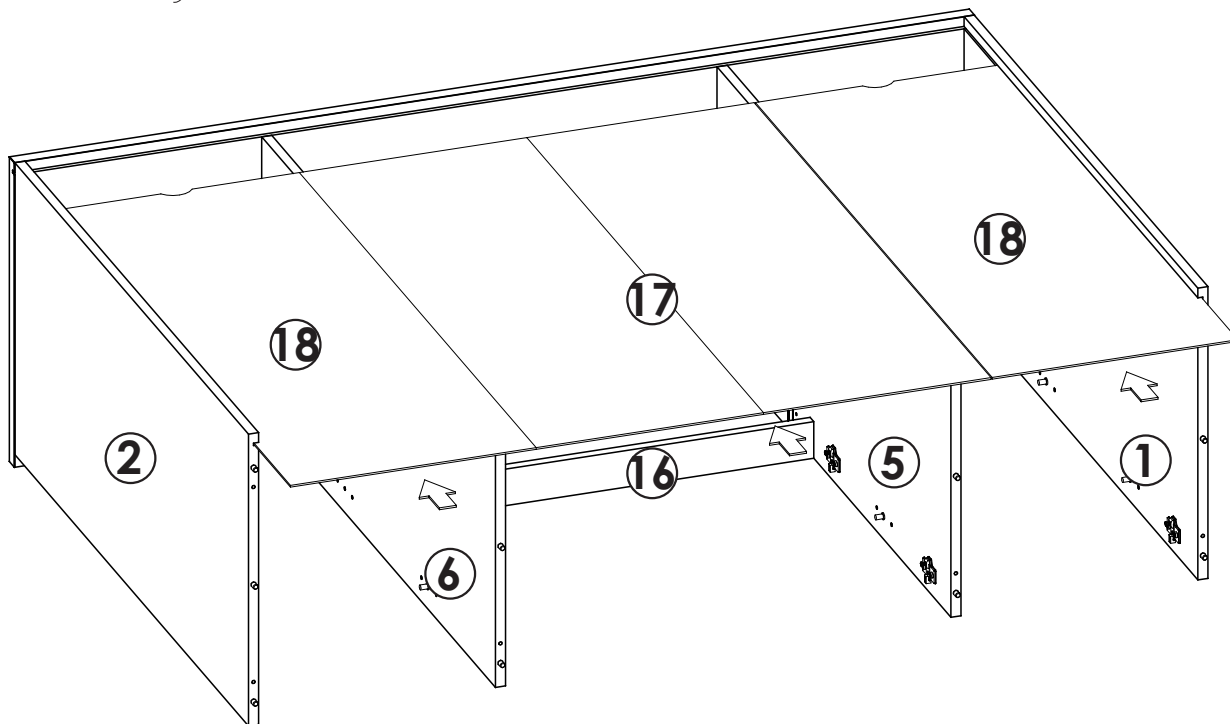
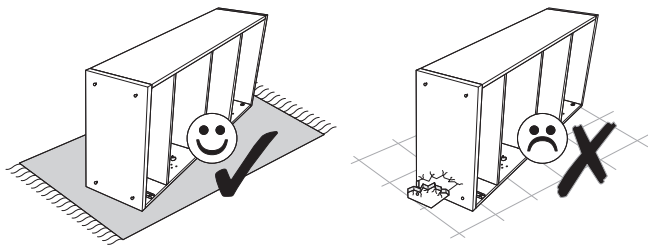
x2

a=b

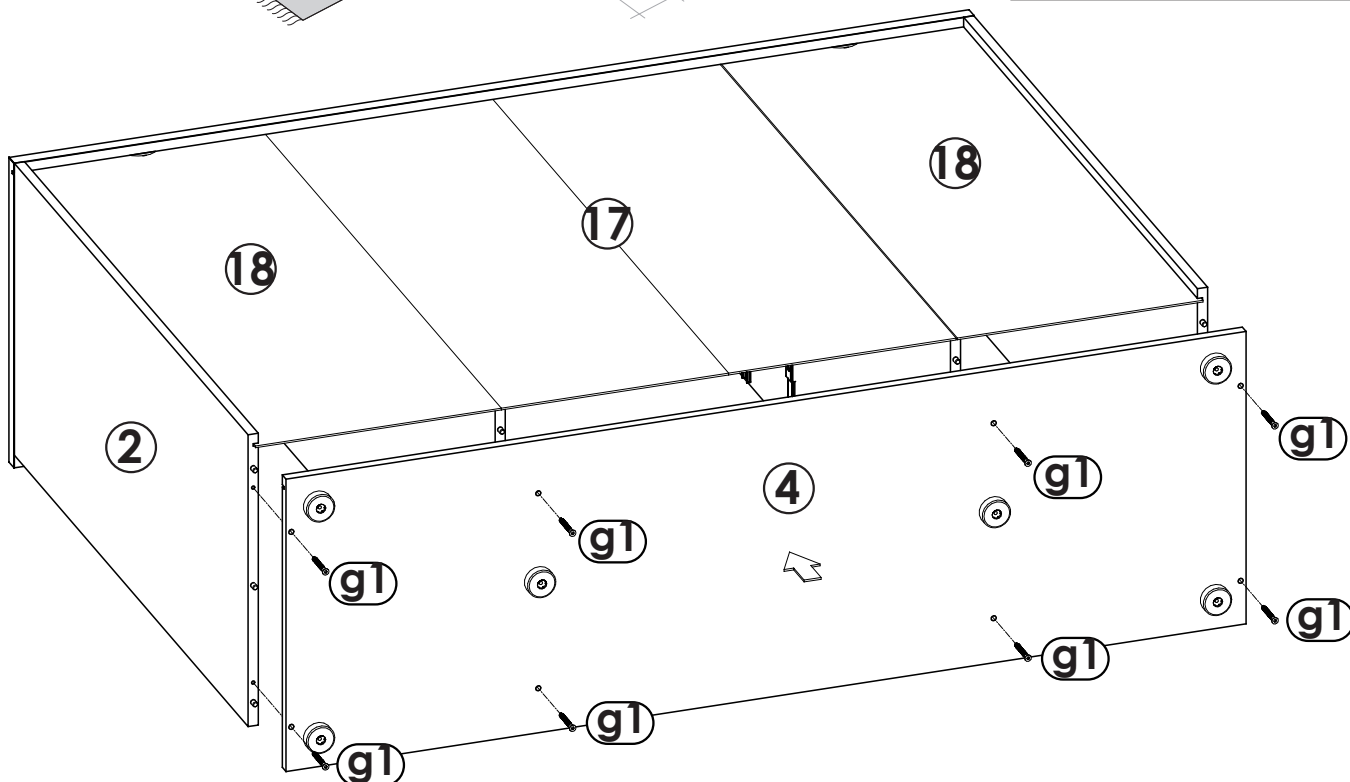
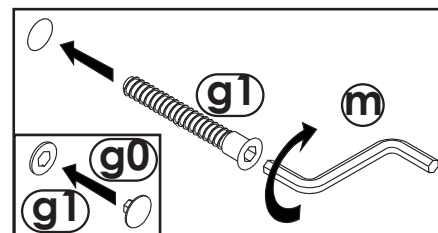
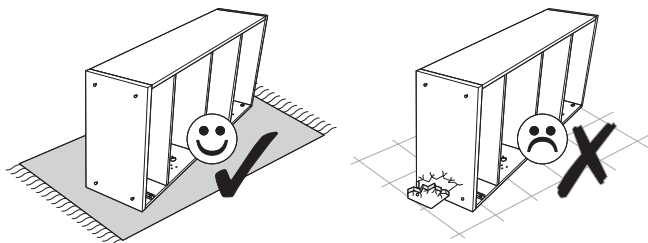




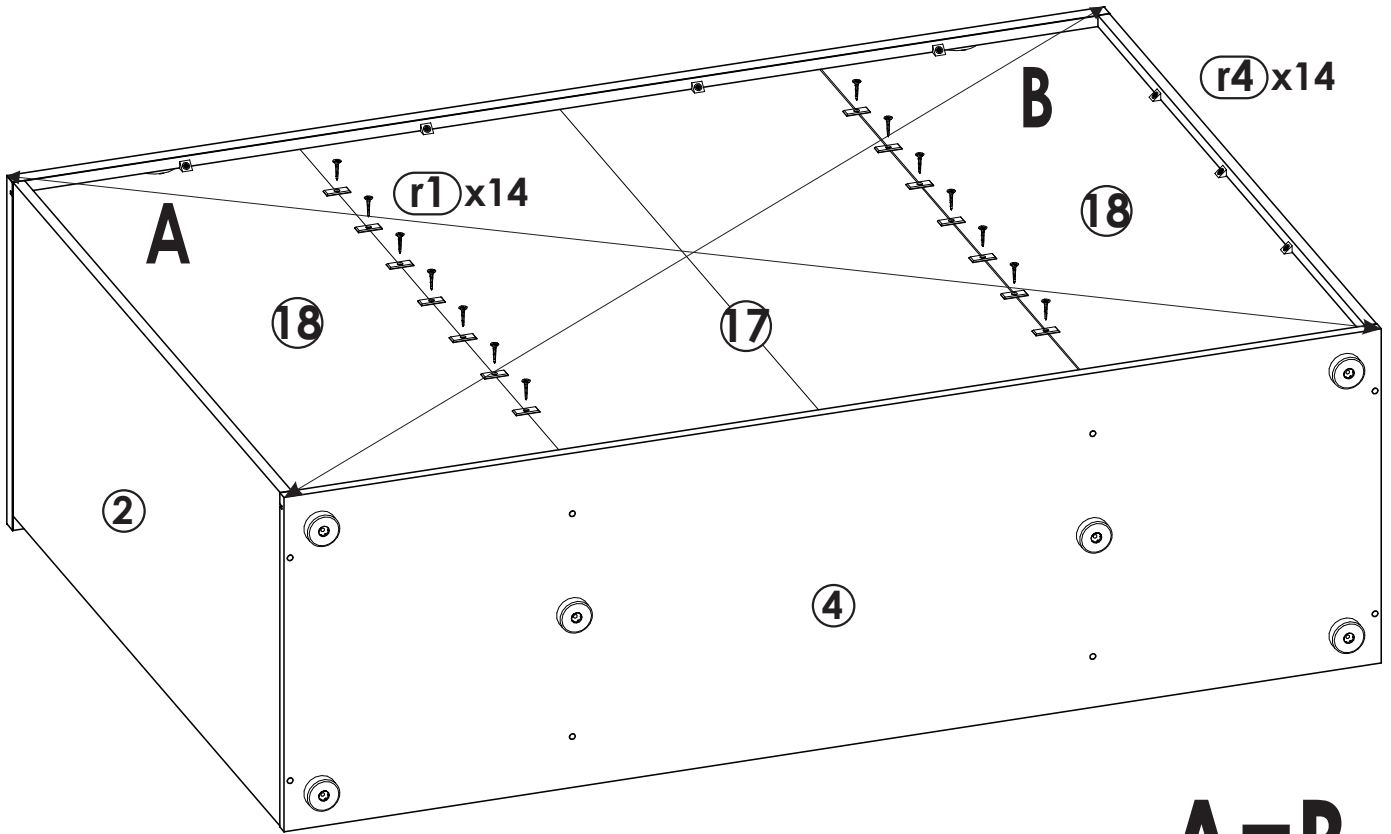
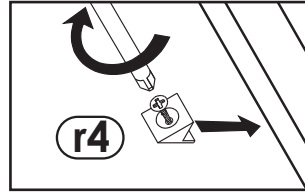
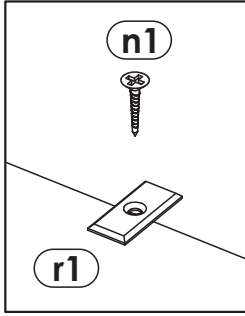
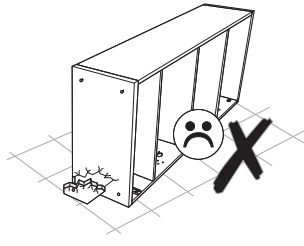
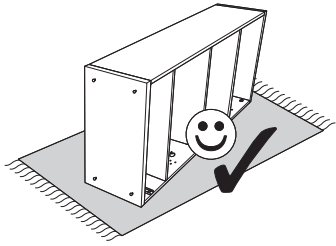
8



9

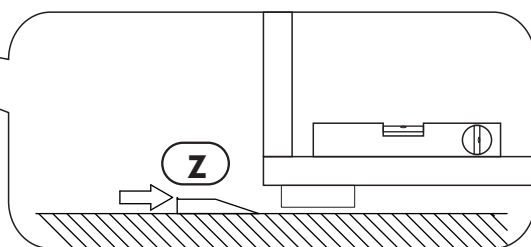
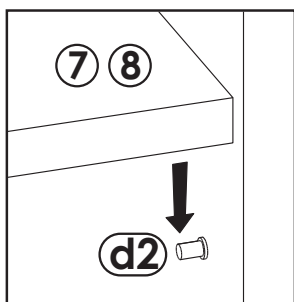
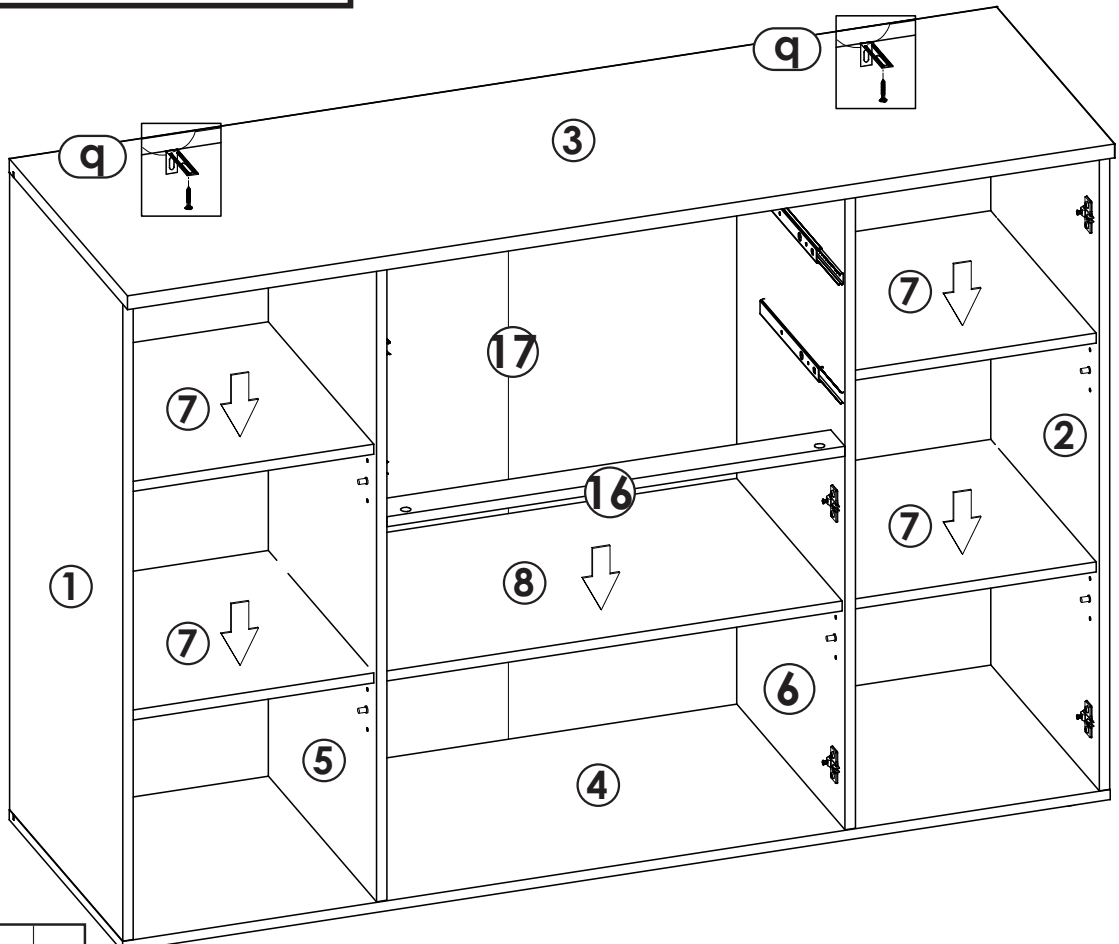
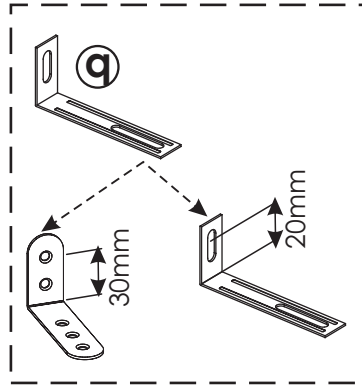
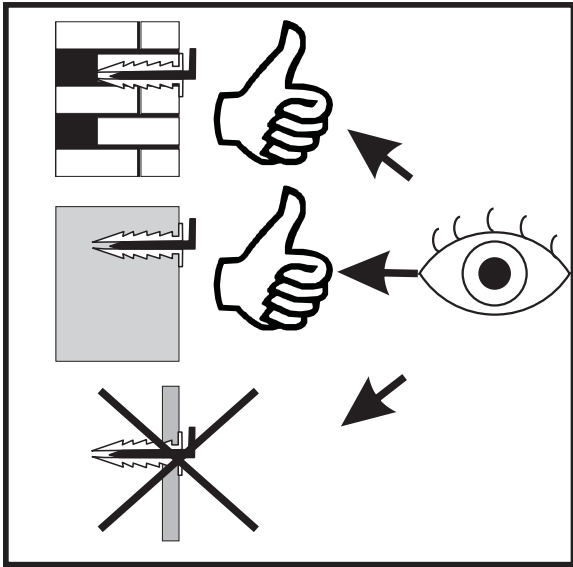
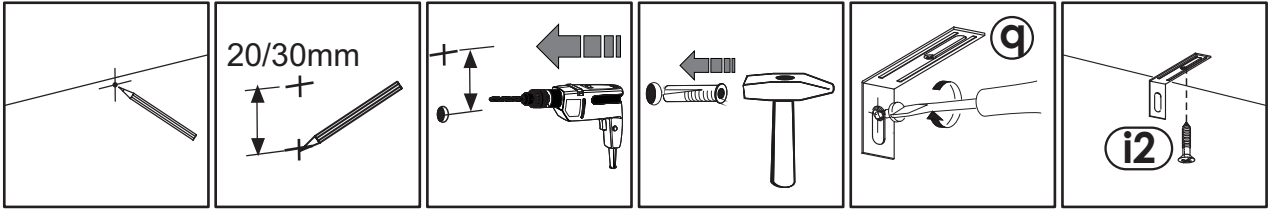


10
▼



A=B

11
↓



12

