


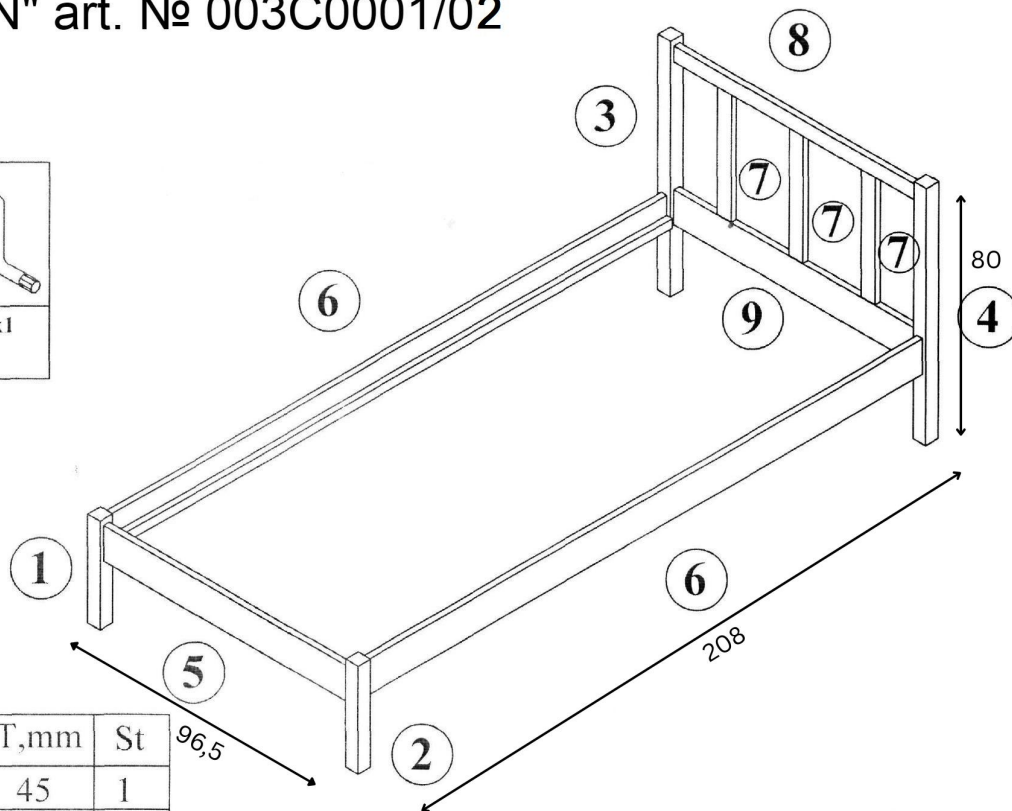
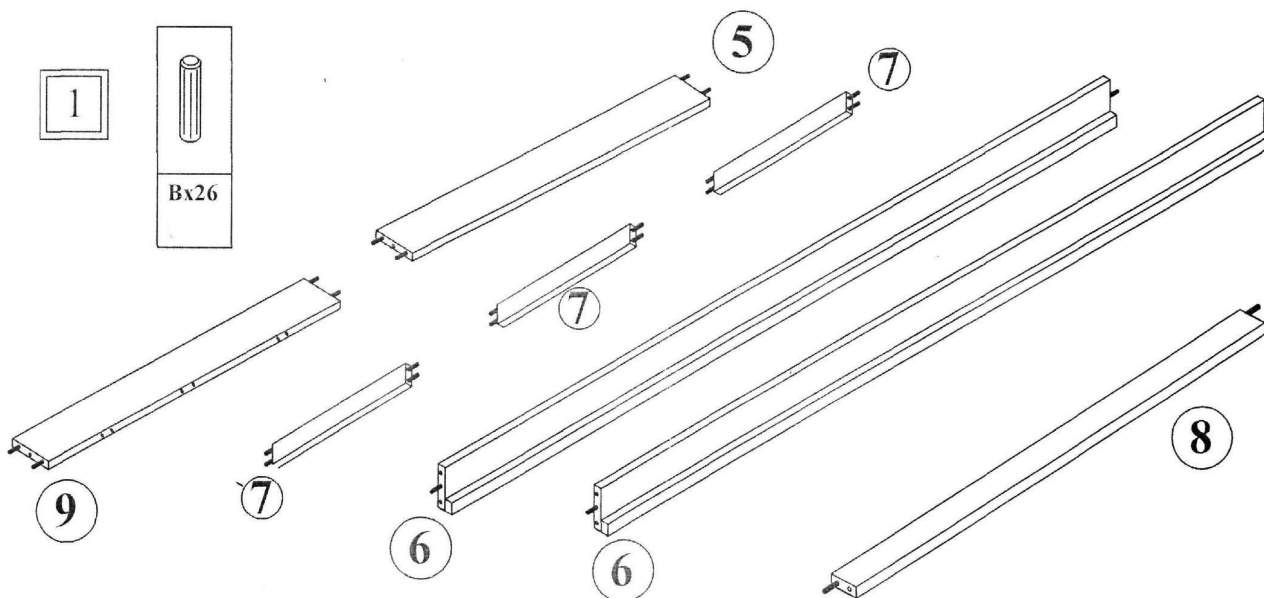
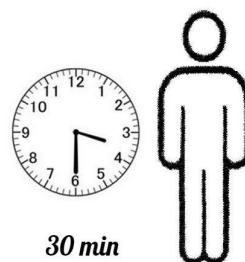


# "MAREN" art. № 003C0001/02

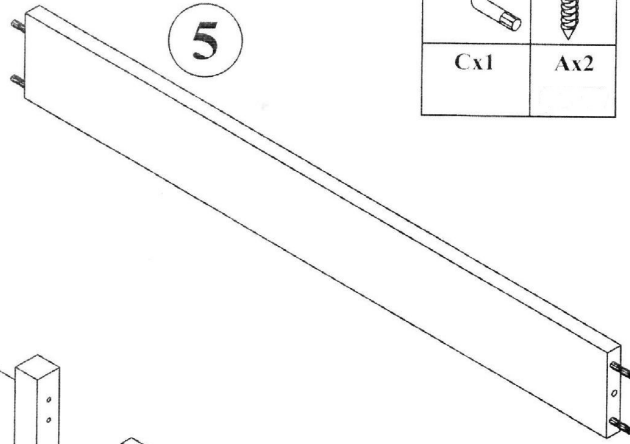
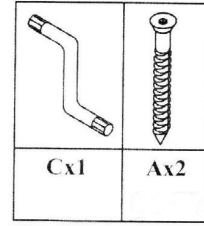
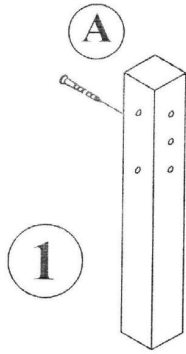
		
Ax14 6,3*110	Bx26 8*30	Cx1



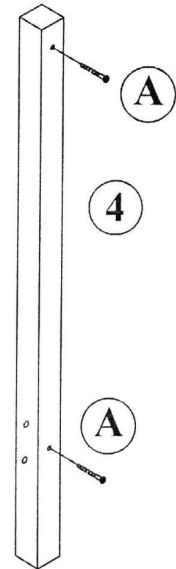
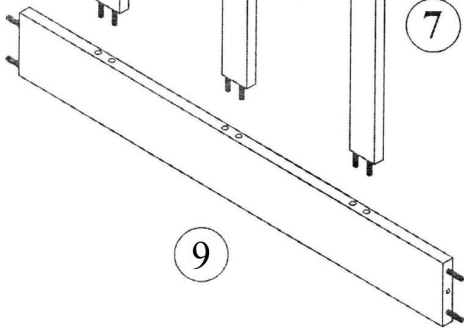
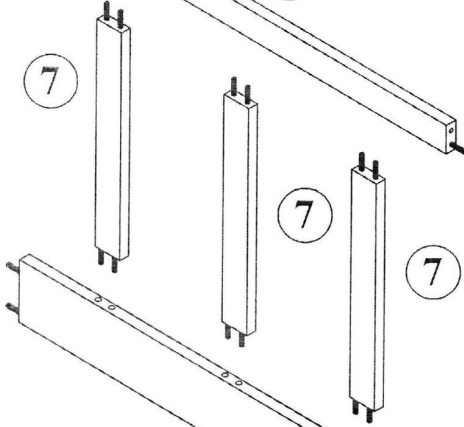
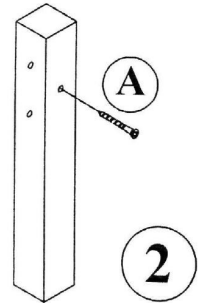
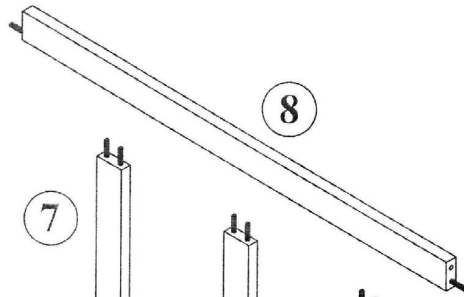
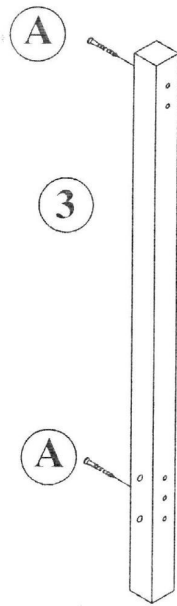
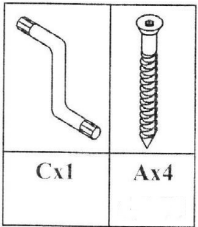
№	L,mm	B,mm	T,mm	St
1	335	45	45	1
2	335	45	45	1
3	800	45	45	1
4	800	45	45	1
5	875	110	20	1
6	1990	110	20	2
7	400	50	18	3
8	875	50	20	1
9	875	110	20	1



2



3



4

