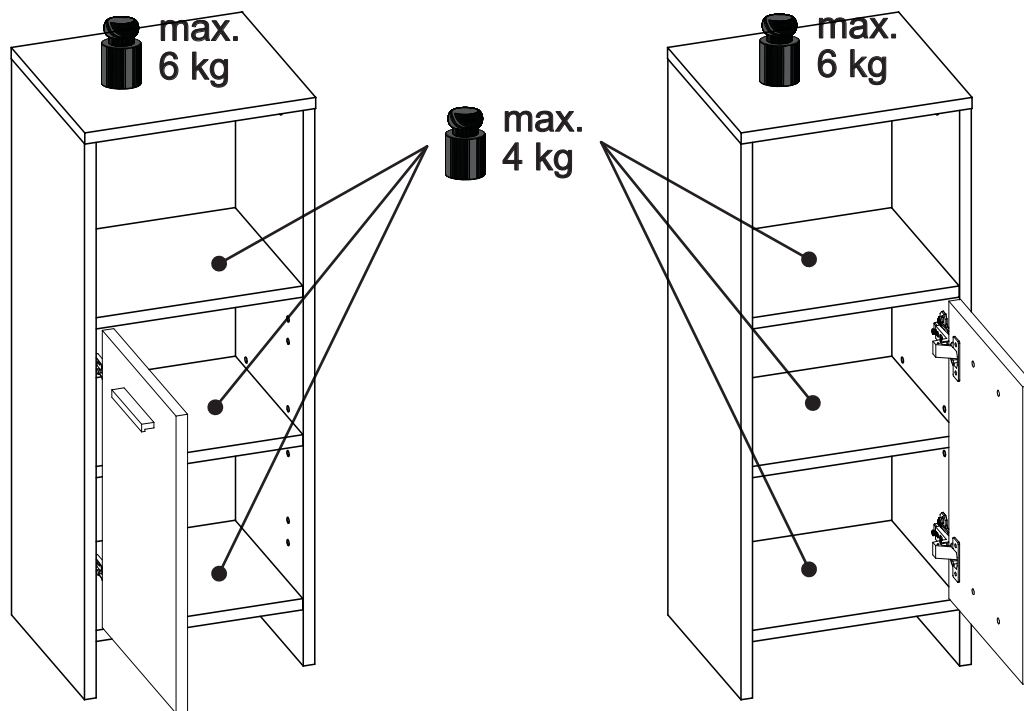
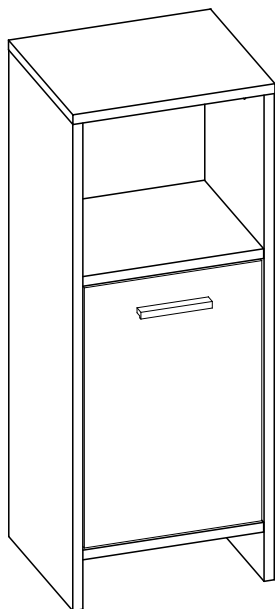
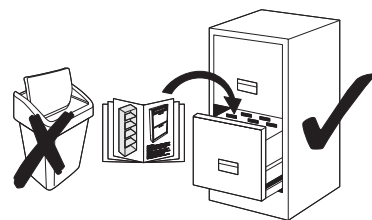
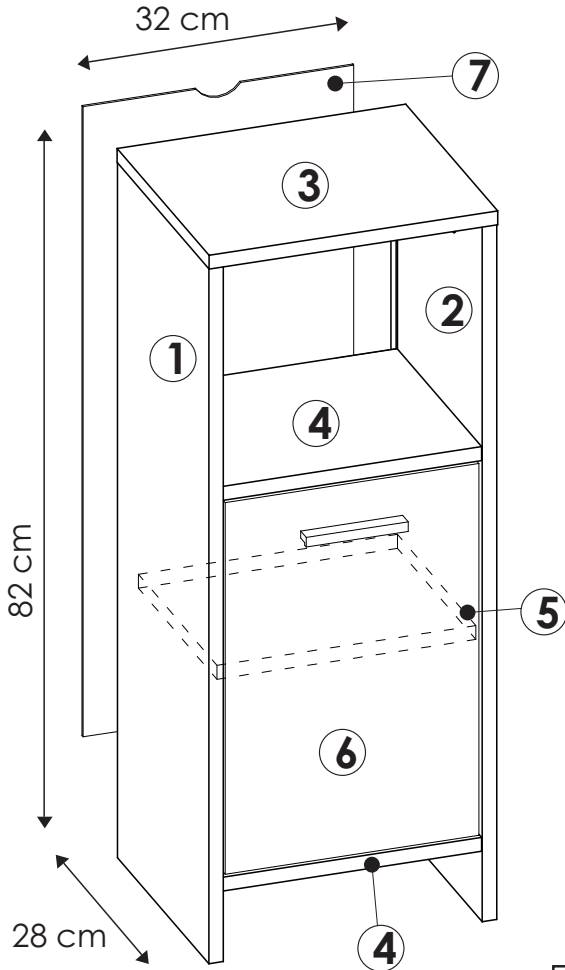



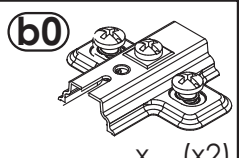
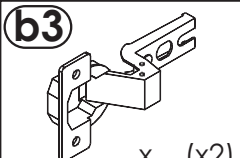





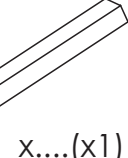


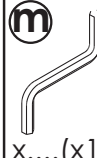



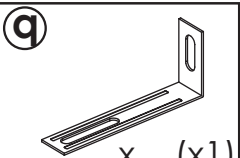

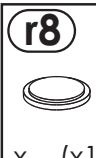
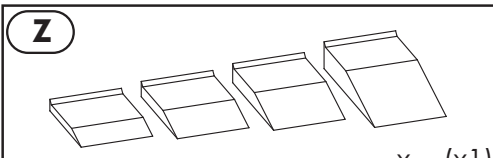
1803

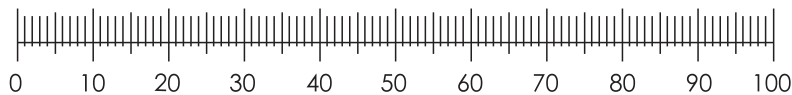
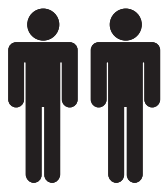
ATTACK ATK01



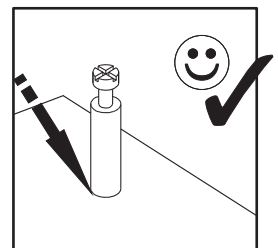
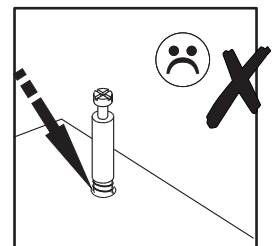
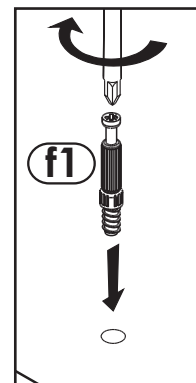
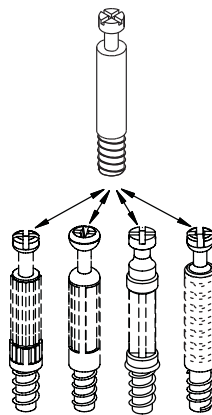
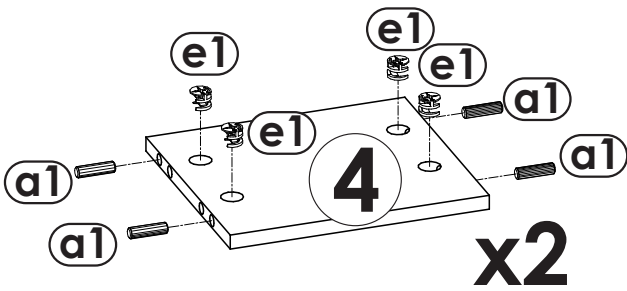
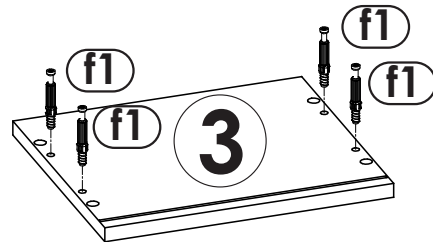
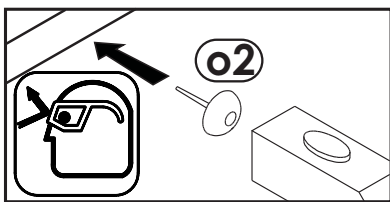
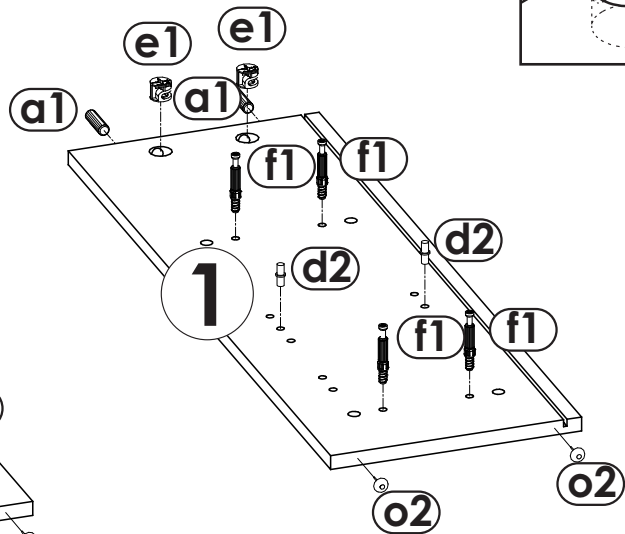
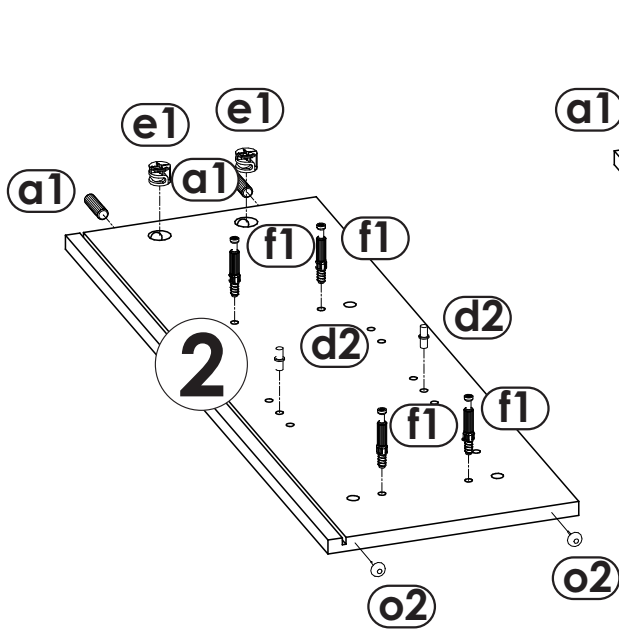
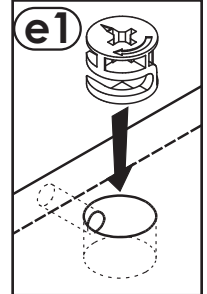
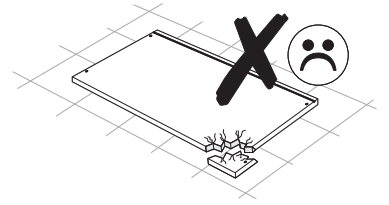
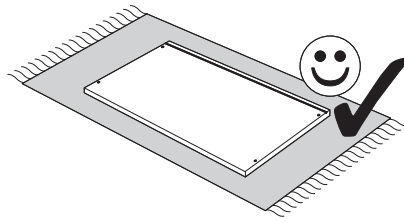
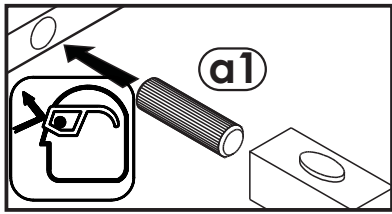
ATTACK ATK01



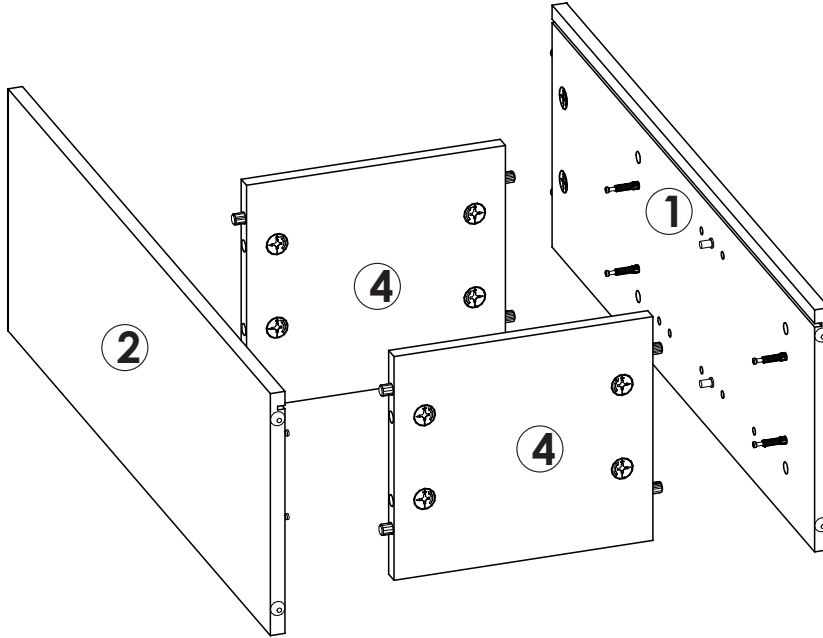
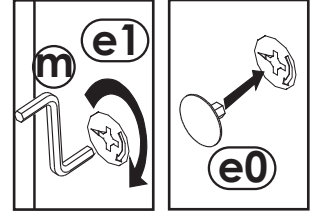
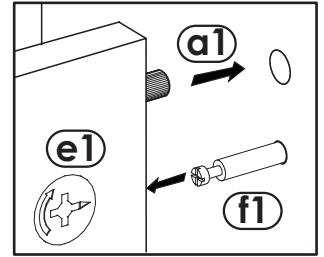
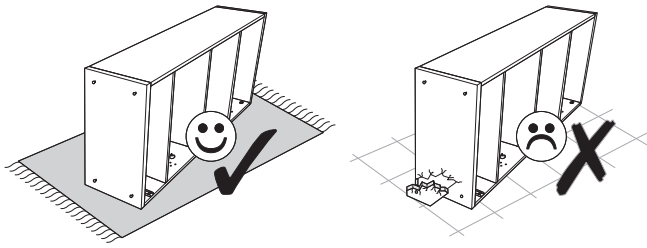
- | | | | | | |
|---|---|--|---|---|--|
| a1

8x35
x...(x12) | b0

x...(x2) | b3

x...(x2) | | | |
| c1

Euro 4x13
x...(x4) | d2

x...(x4) | e0

x...(x12) | e1

x...(x12) | f1

x...(x12) | |
| h1

x...(x1) | i2

4x16
x...(x1) | i8

3,5x27
x...(x2) | m

x...(x1) | n1

3x16
x...(x10) | |
| o2

x...(x4) | p0

φ5
x...(x6) | q

x...(x1) | r4

x...(x5) | r8

x...(x1) | z

x...(x1) |



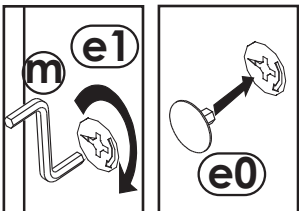
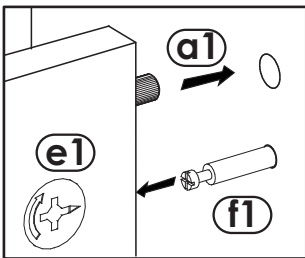
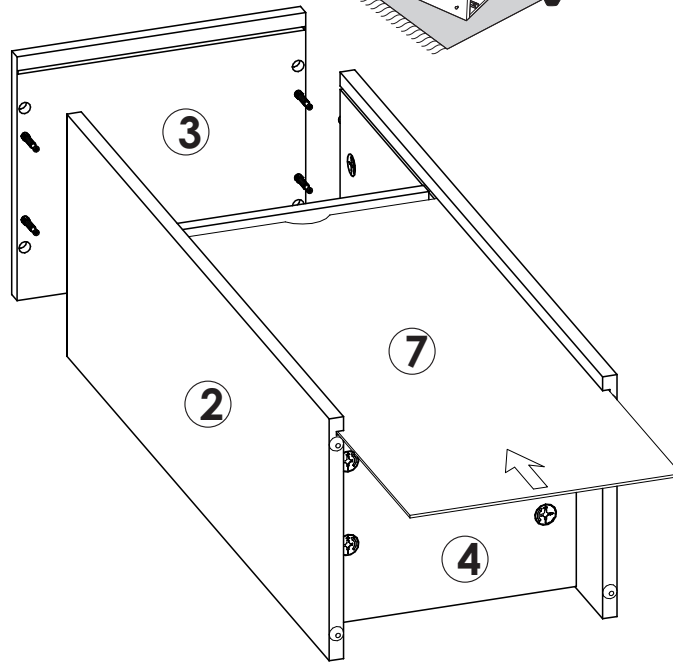
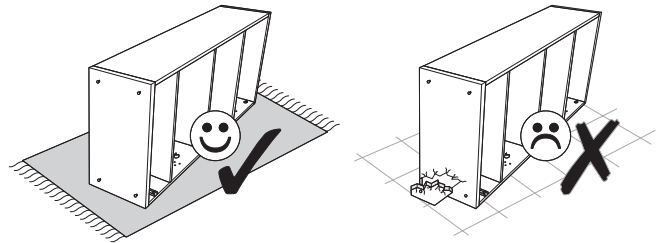
1



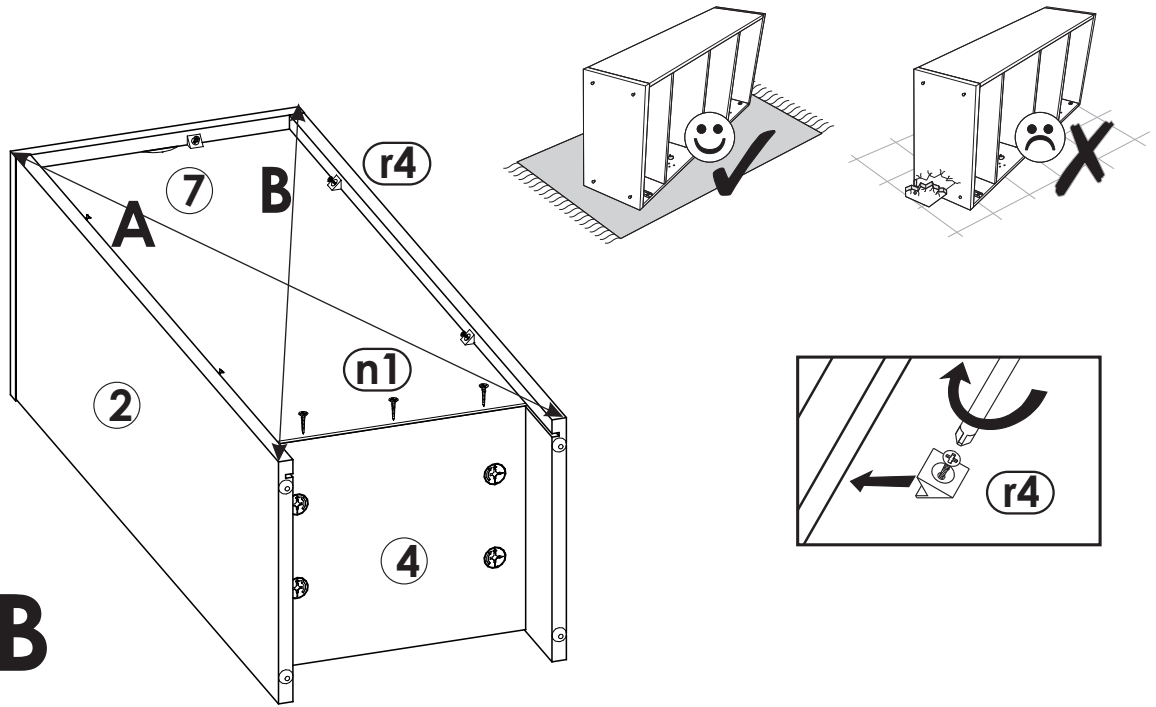
2



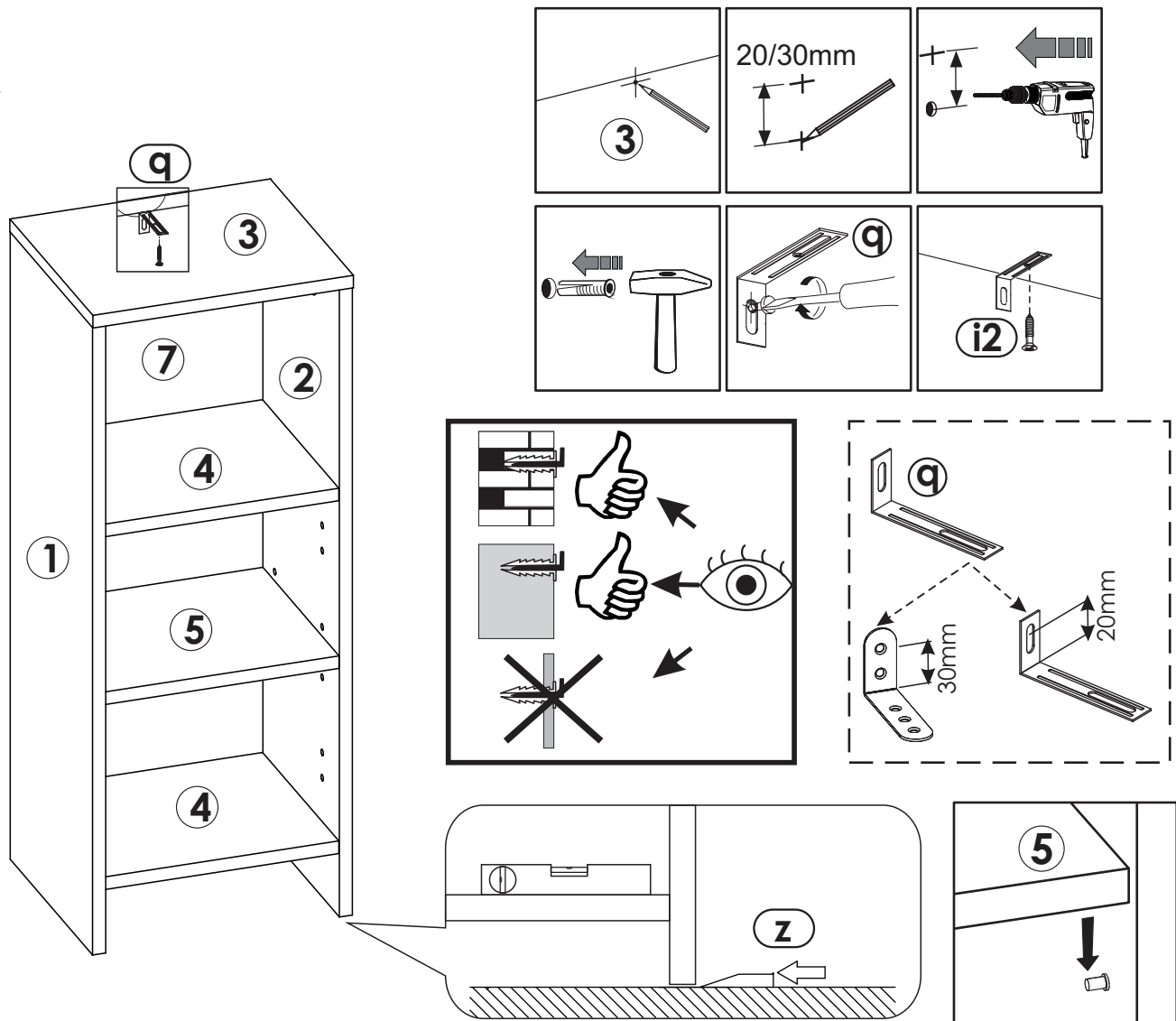
3



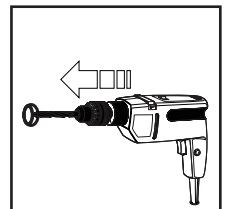
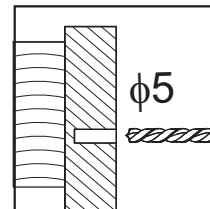
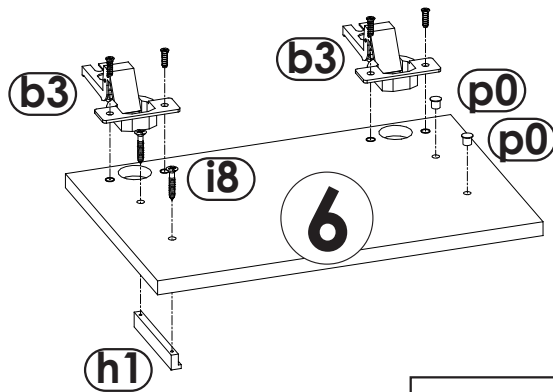
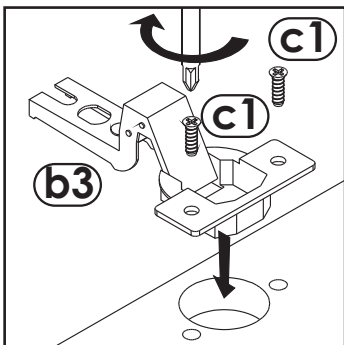
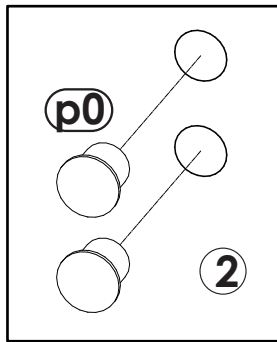
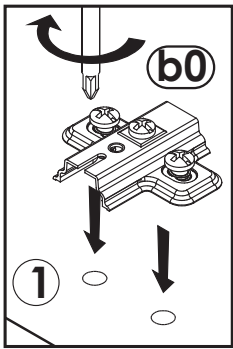
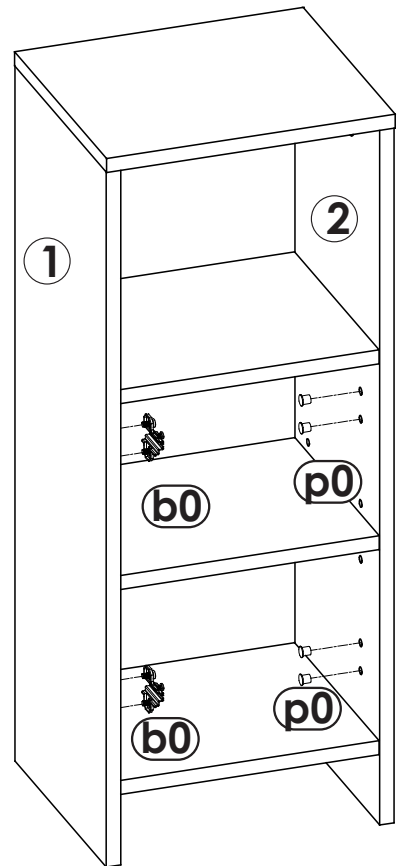
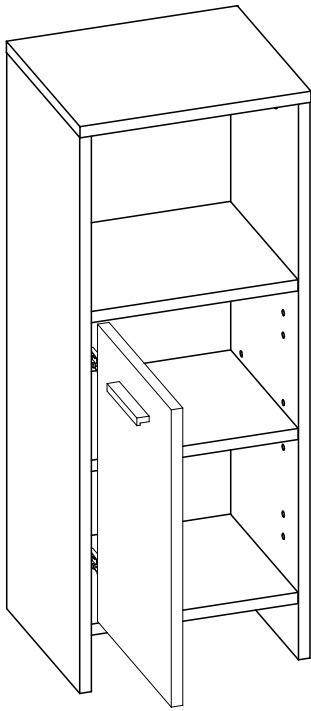
4
▼



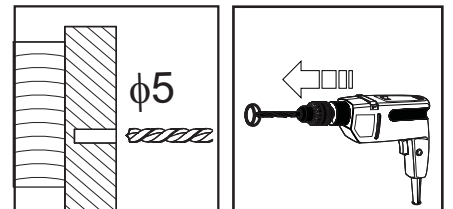
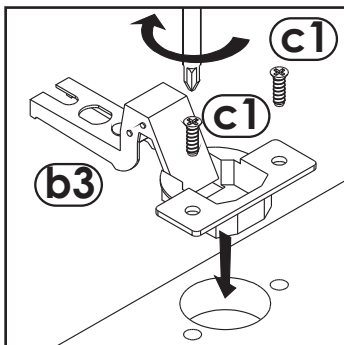
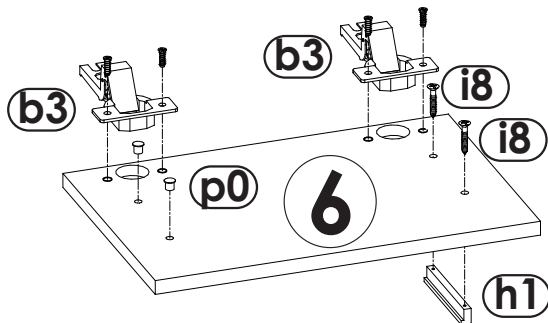
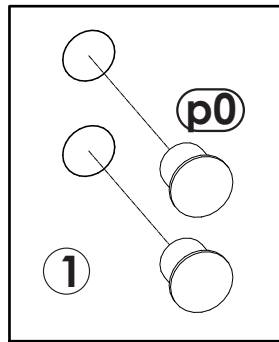
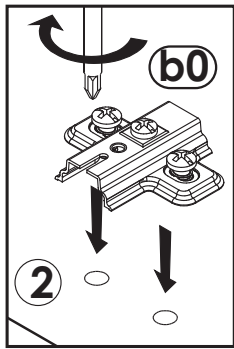
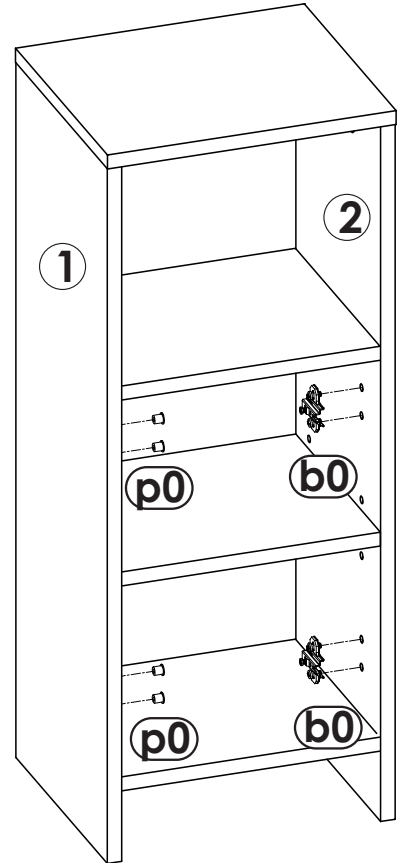
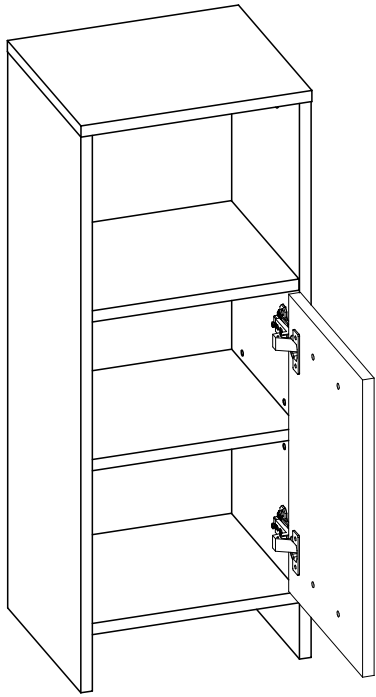
5
▼



6L
▼



6R
▼



7
▼

