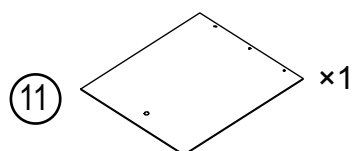
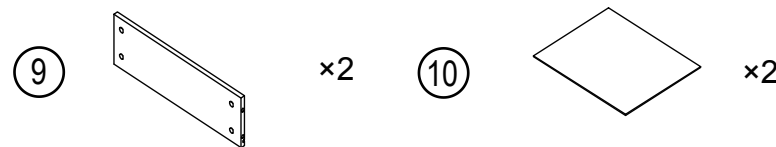
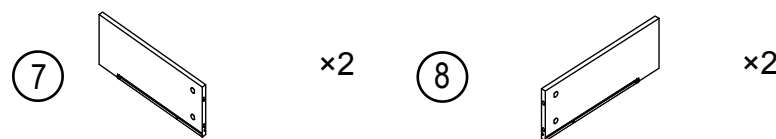
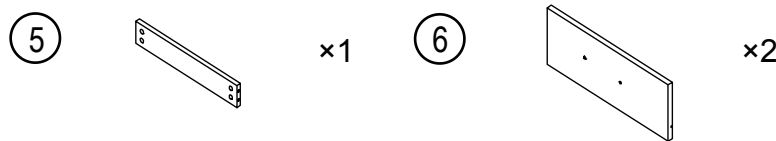
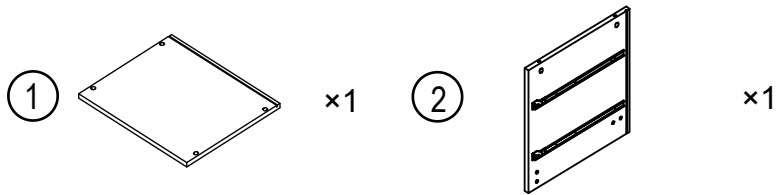
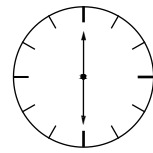


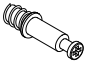


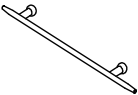

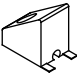


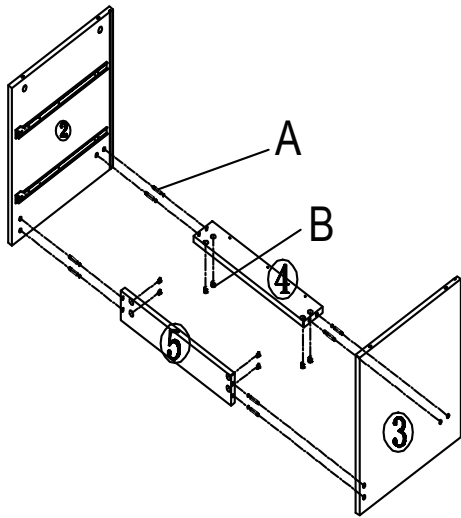


# 13710001-01/02

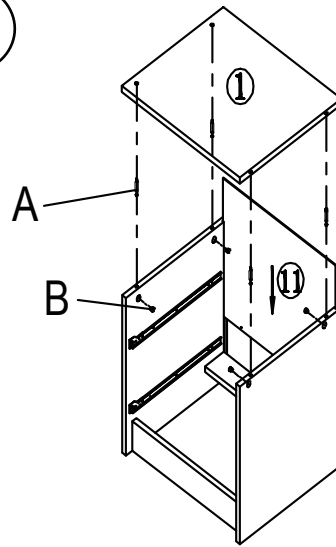


- Ⓐ  34mm x20
- Ⓑ   $\Phi 15 \times 12\text{mm}$  x12
- Ⓒ  28mm x8
- Ⓓ   $\Phi 12 \times 10\text{mm}$  x16
- Ⓔ  M4 x22mm x4
- Ⓕ  Handle x2
- Ⓖ   $\Phi 3 \times 12\text{mm}$  x3
- Ⓗ  Backplane Fasteners x6
- Ⓘ   $\Phi 2.5 \times 15\text{mm}$  x6
- Ⓙ   $\Phi 16\text{mm}$  x8

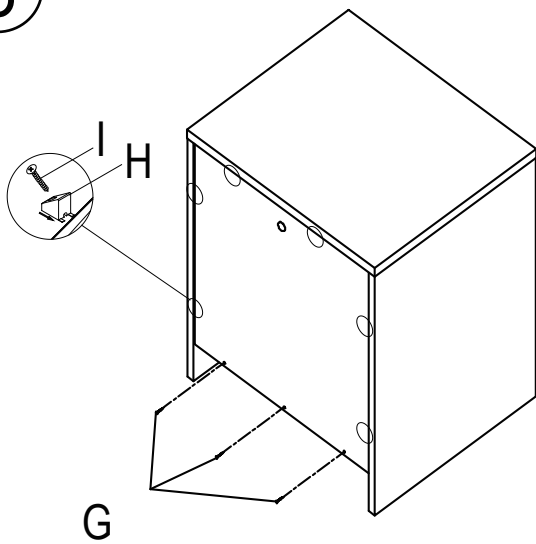
1



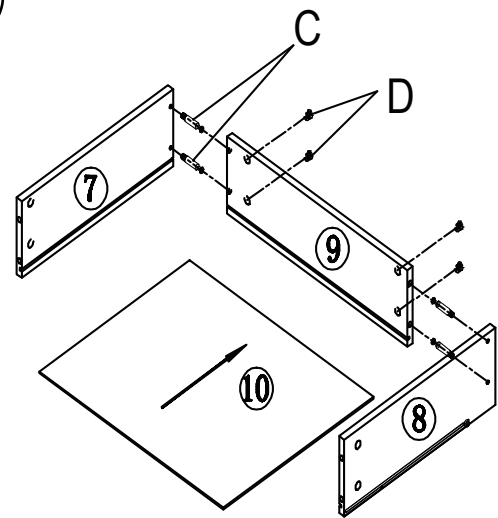
2



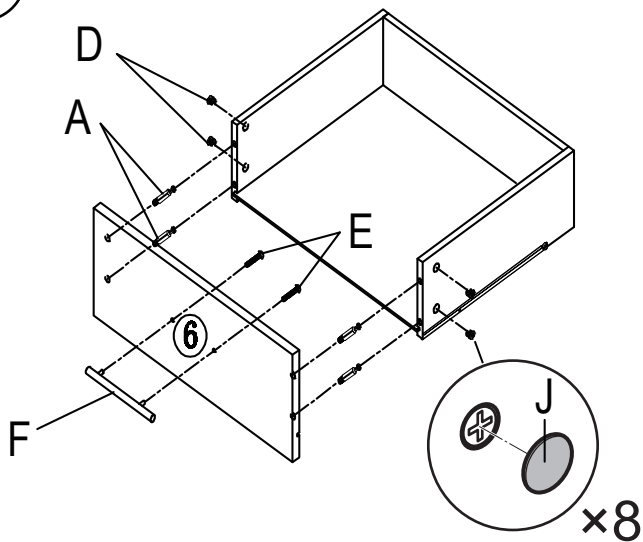
3



4



5



6

