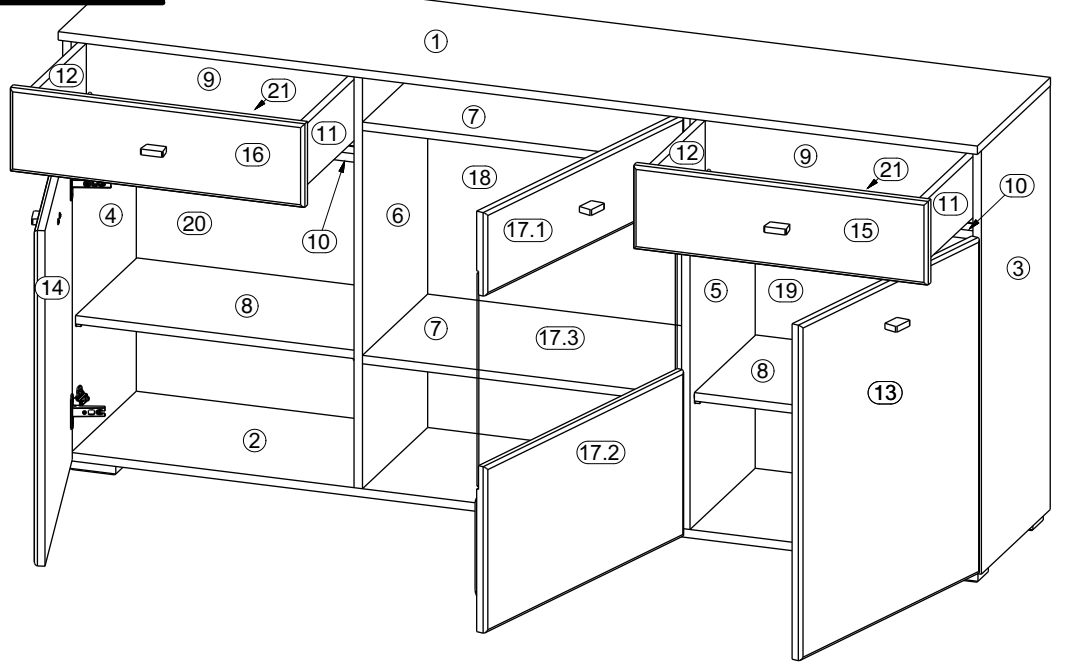
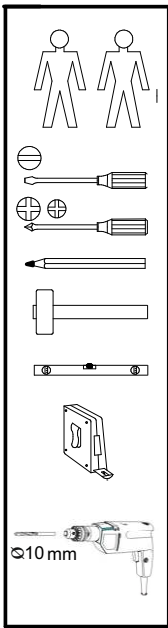
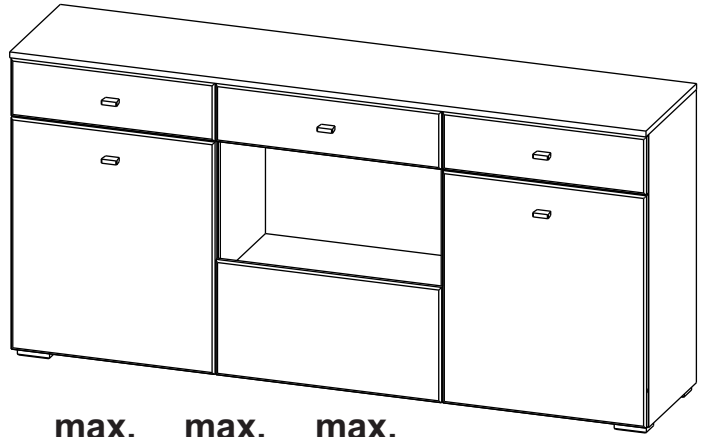


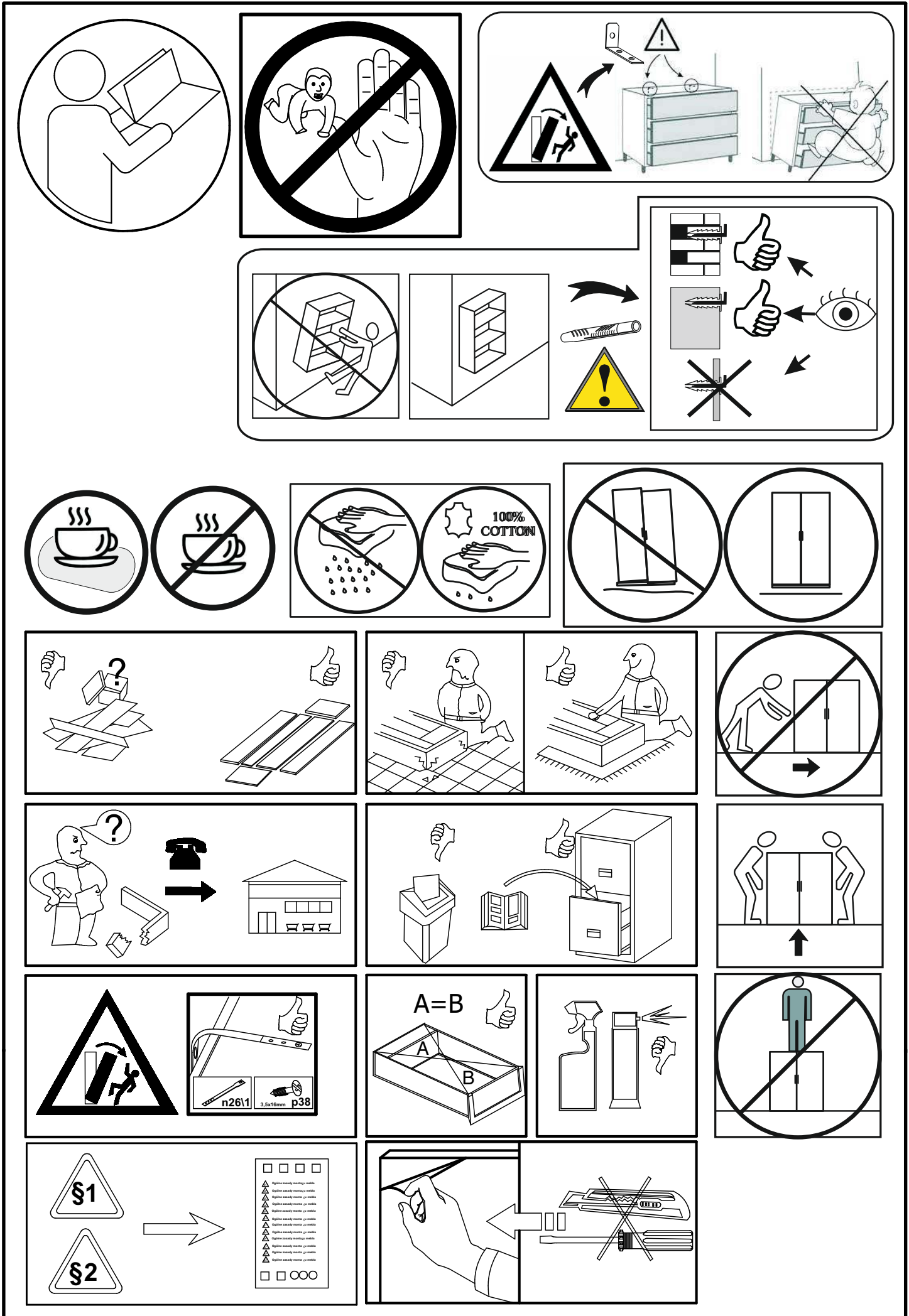
A TREND

44-275-W8-20

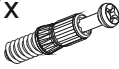
A	B	C1	C2	C3	D
1	20.001	1740	380	16	1/3
2	20.002	1707	358	16	1/3
3	20.003	802	358	16	1/3
4	20.004	802	358	16	1/3
5	20.005	786	339	16	1/3
6	20.006	786	339	16	1/3
7	20.007	604	339	16	1/3
8	20.008	534	319	16	1/3
9	20.009	496	102	16	1/3
10	20.010	536	76	16	1/3
11	20.011	300	116	16	1/3
12	20.012	300	116	16	1/3
13	20.013	635	557	19	1/3
14	20.014	635	557	19	1/3
15	20.015	158	557	19	1/3
16	20.016	158	557	19	1/3
17.1	20.017.1	617	315	55	1/3
17.2	20.017.2	617	156	20	1/3
17.3	20.017.3	615	403	4	1/3
18	20.018	796	318	3	1/3
19	20.019	796	548	3	1/3
20	20.020	796	548	3	1/3
21	20.021	506	305	3	1/3





2x a1	2x a2	20x φ3x20 mm p55	12x n109	10x φ4,1x16 mm p56	10x o1
2x a3	1x a4	1x o44/2	8x Ø 15mm s59	20x φ7x50 mm e1	8x Ø5x17 mm d1
4x b1	3x b2	28x l2	6x k16	2x 86x21x15/1.5mm n14	2x φ5x60 mm p17
1x o44/1	2x φ10x50 mm f35	10x M4x25 mm j8	24x φ15x12mm r1	24x 20/11 r42	16x Ø 16 s2
5x c19	1x z1	8x 20x13x3,5/1mm n108	2x 300mm w166L	2x 300mm w166P	8x φ3,5x16 mm p18
					28x Ø8x30 mm f1
					38x φ4x16 mm p19
					6x φ8x1,8mm o21
					4x φ3x16 mm p20




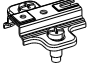
1 


7x  **r42**
20/11


6x  **r1**
φ15x12mm


2x  **b1**


6x  **d1**
∅5x17 mm

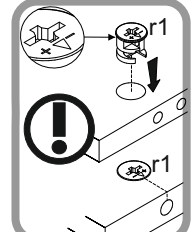
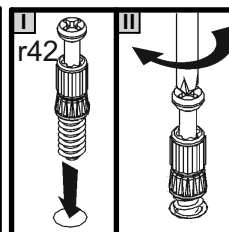
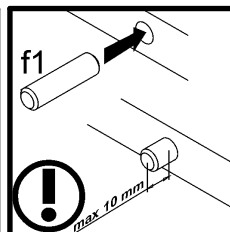
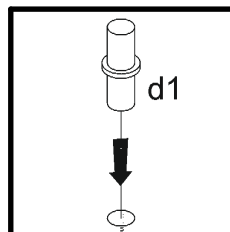
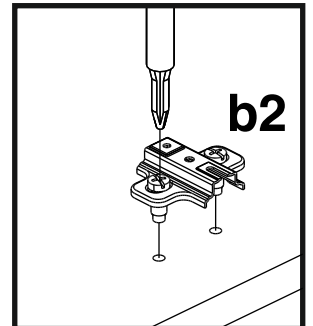
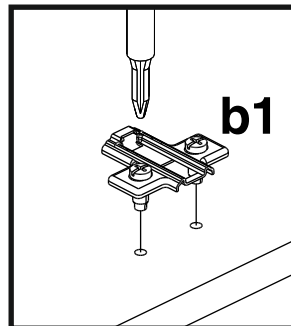
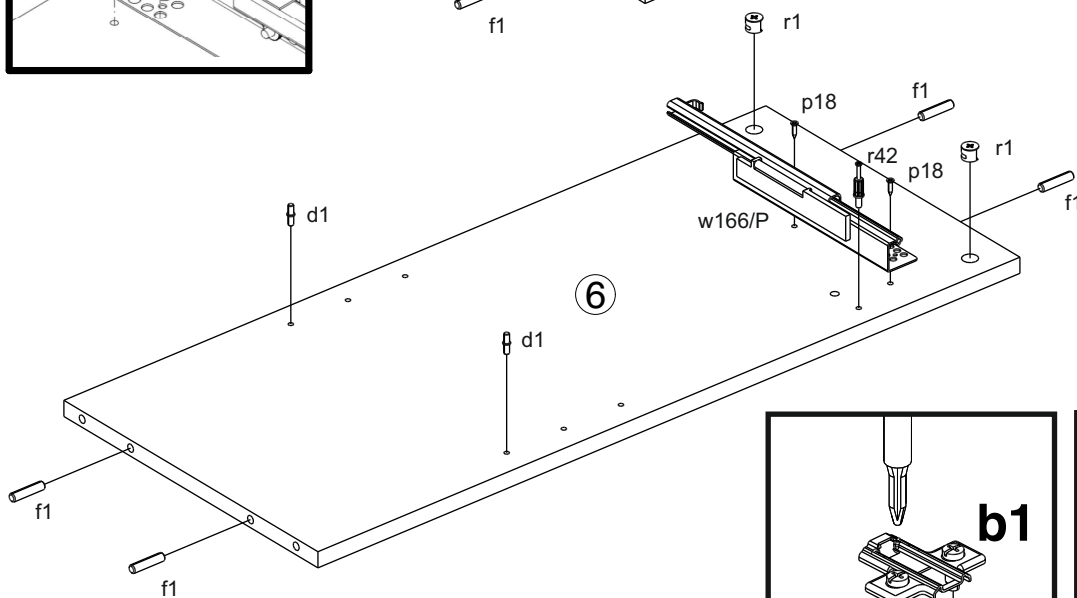
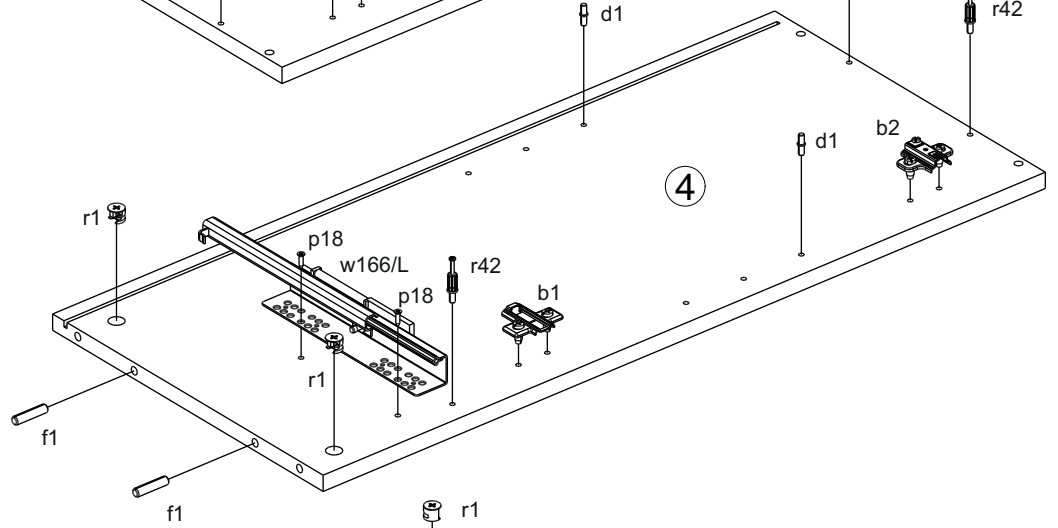
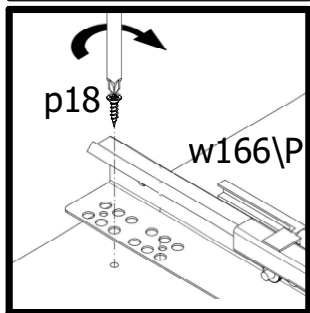
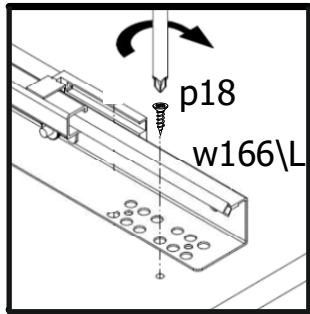
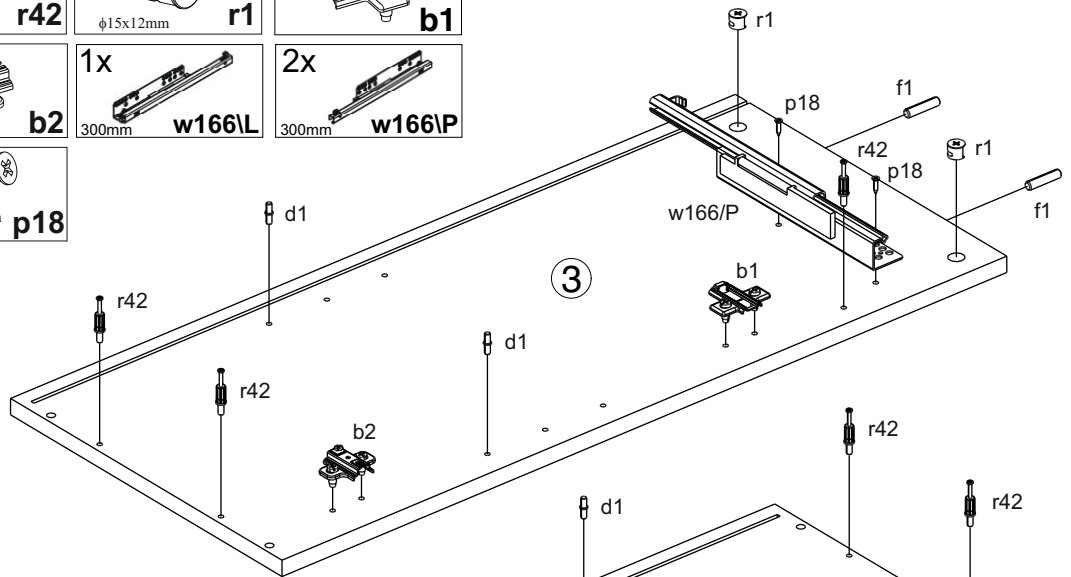
2x  **b2**

1x  **w166L**
300mm

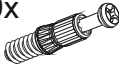
2x  **w166P**
300mm


8x  **f1**
∅8x30 mm

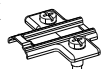
6x  **p18**
φ3.5x16 mm

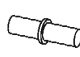


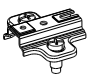
2 


9x  **r42**
20/11


2x  **r1**
φ15x12mm


2x  **b1**

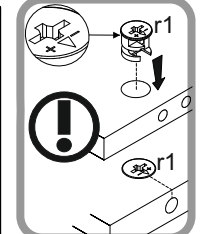
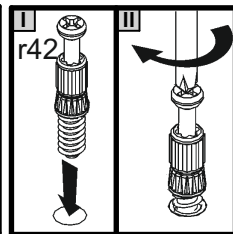
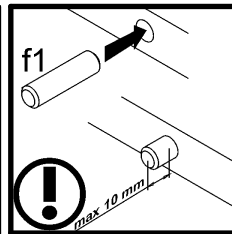
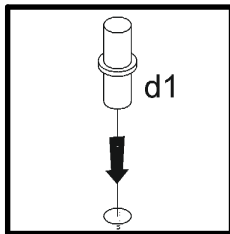
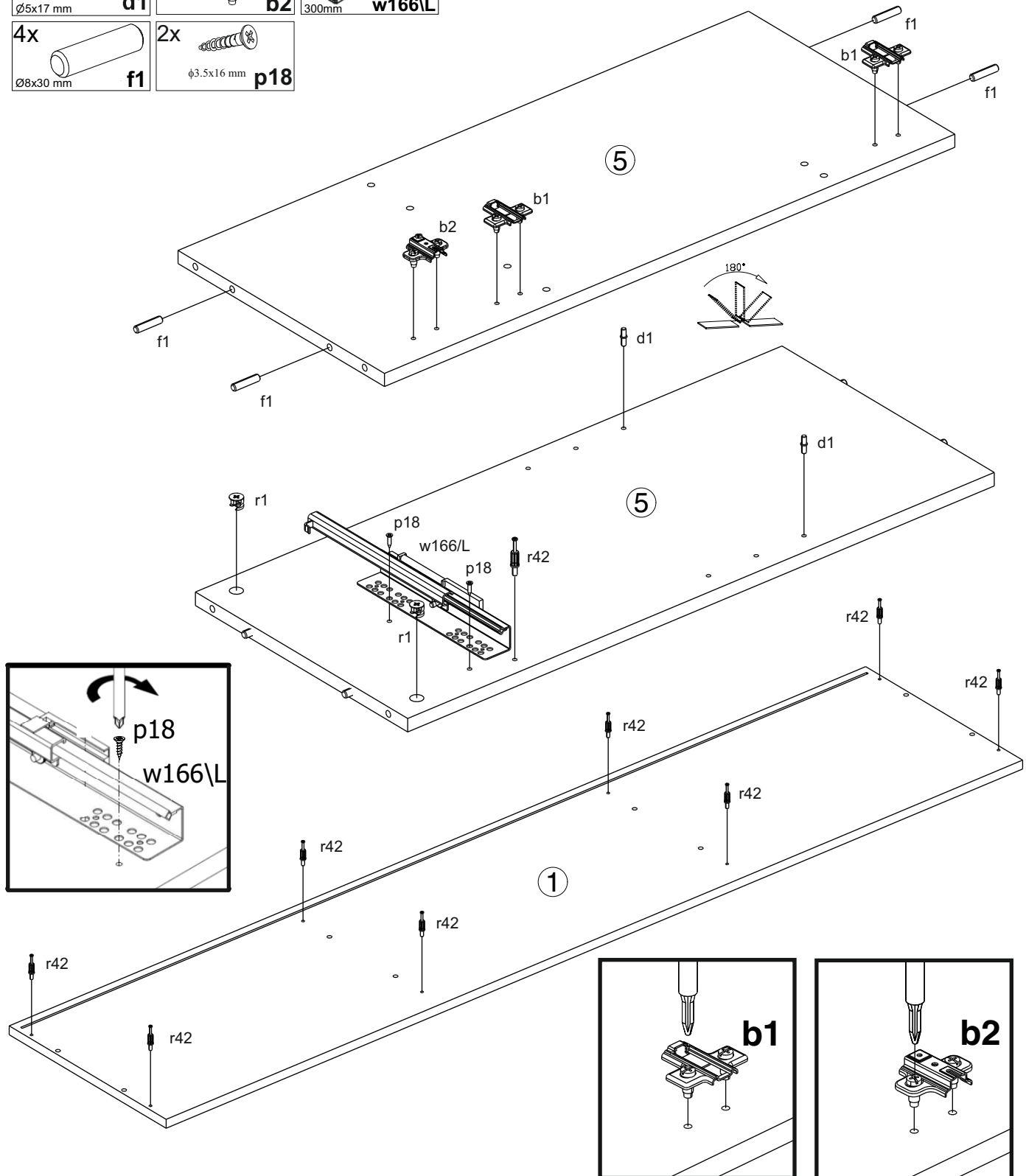
2x  **d1**
∅5x17 mm

1x  **b2**

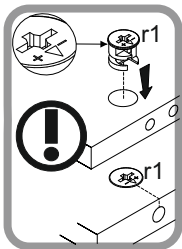
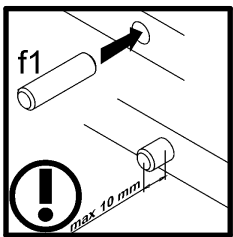
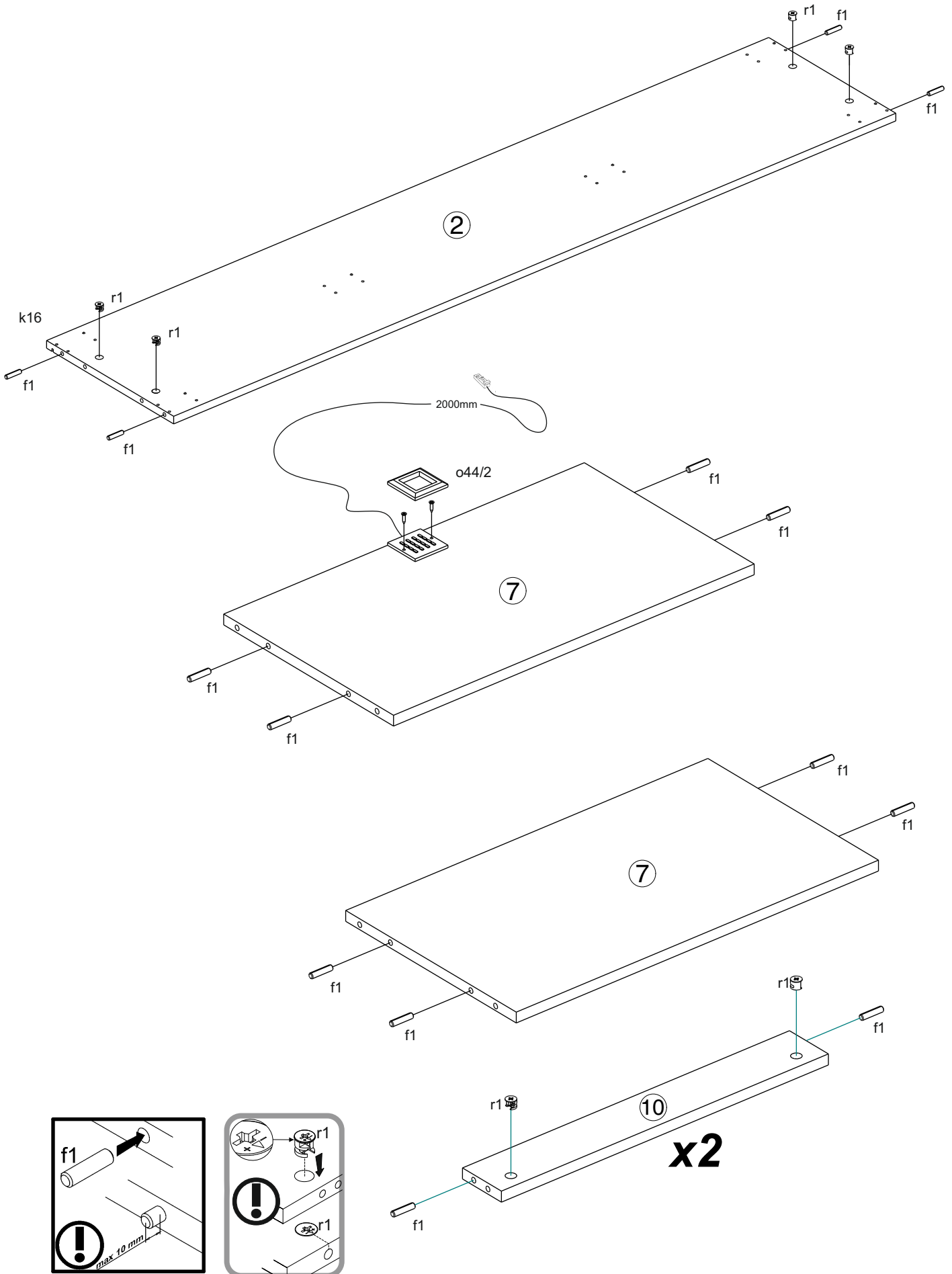
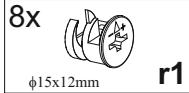
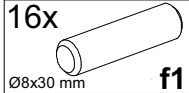
1x  **w166L**
300mm

4x  **f1**
∅8x30 mm

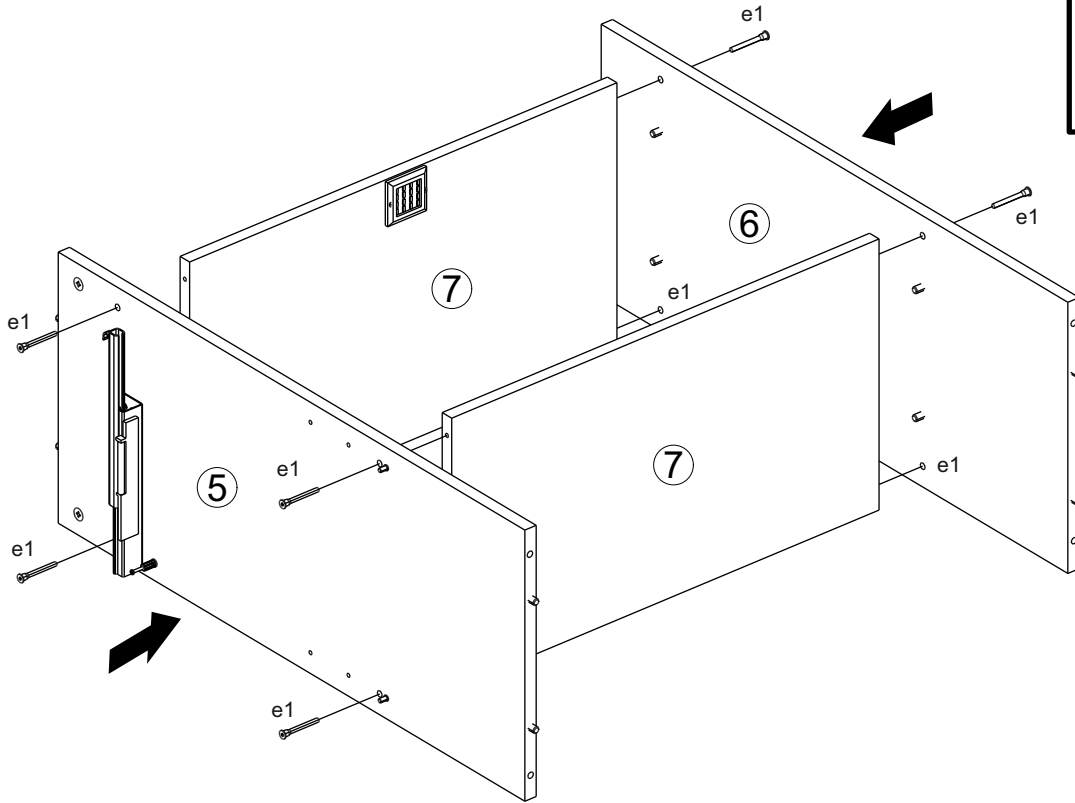
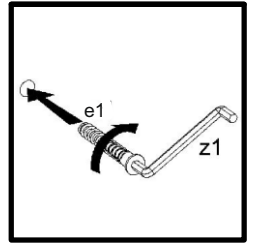
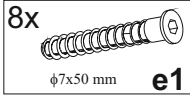
2x  **p18**
φ3.5x16 mm



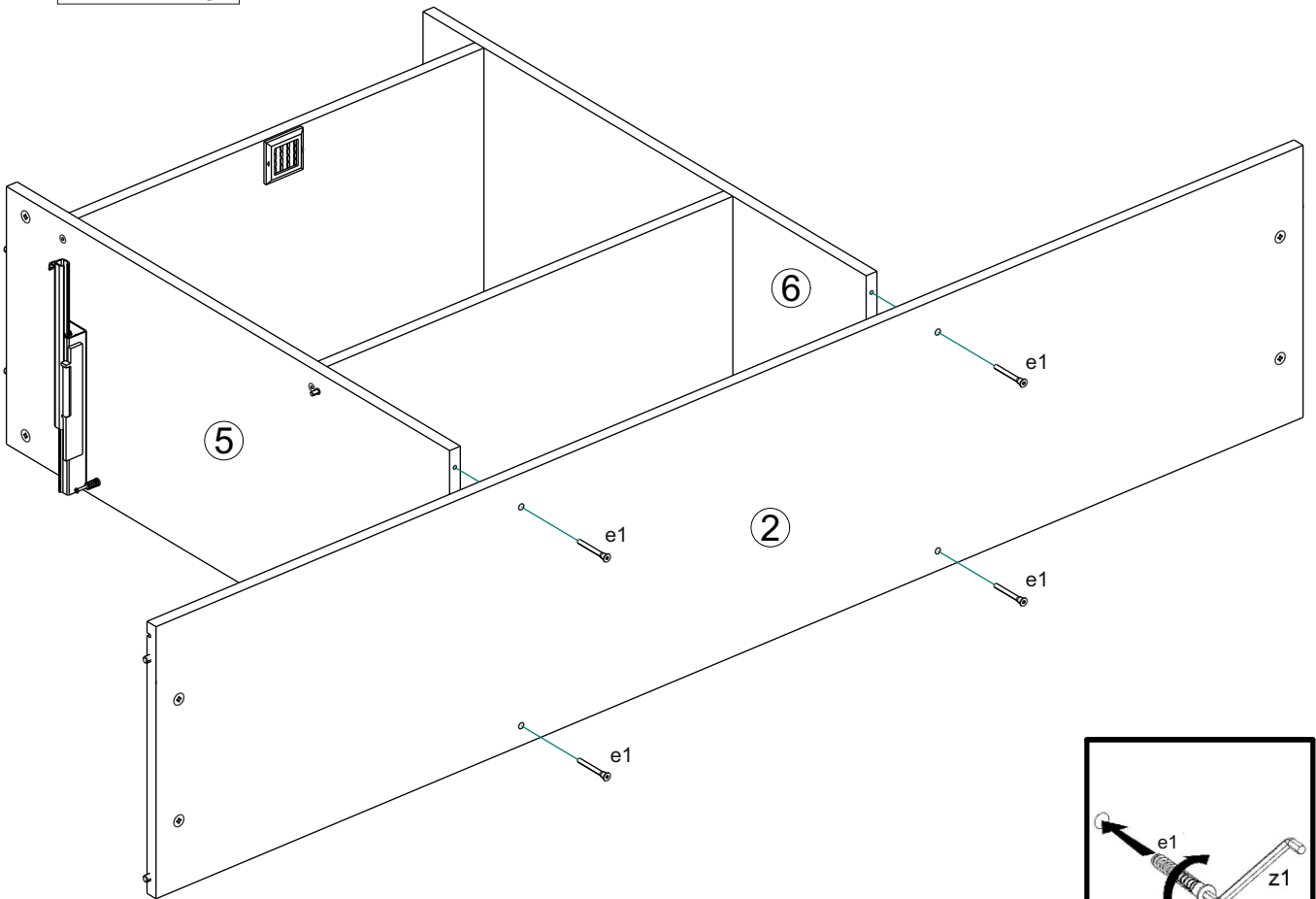
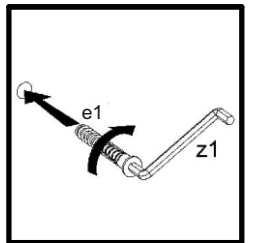
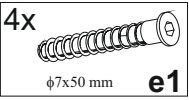
3



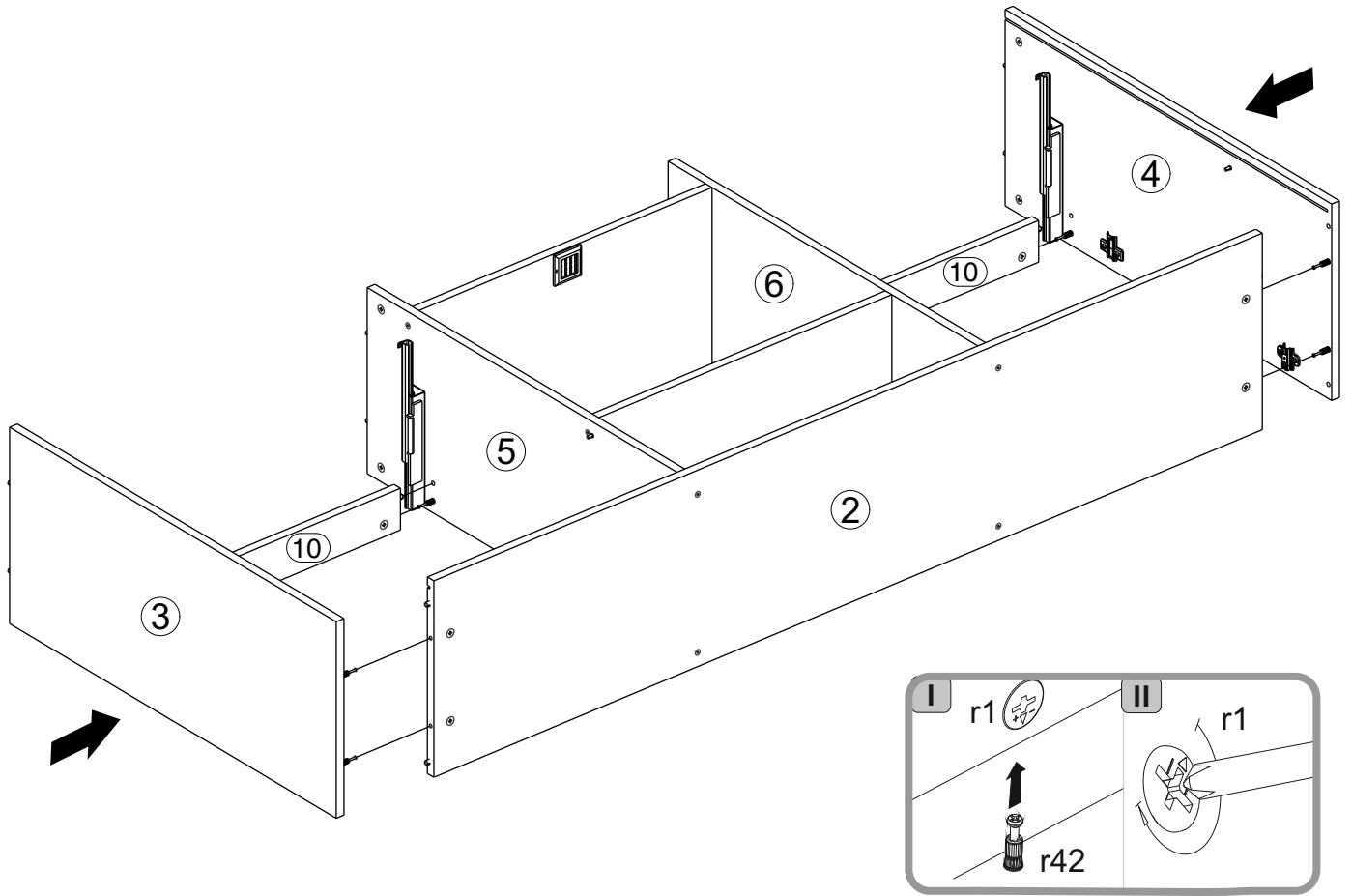
4



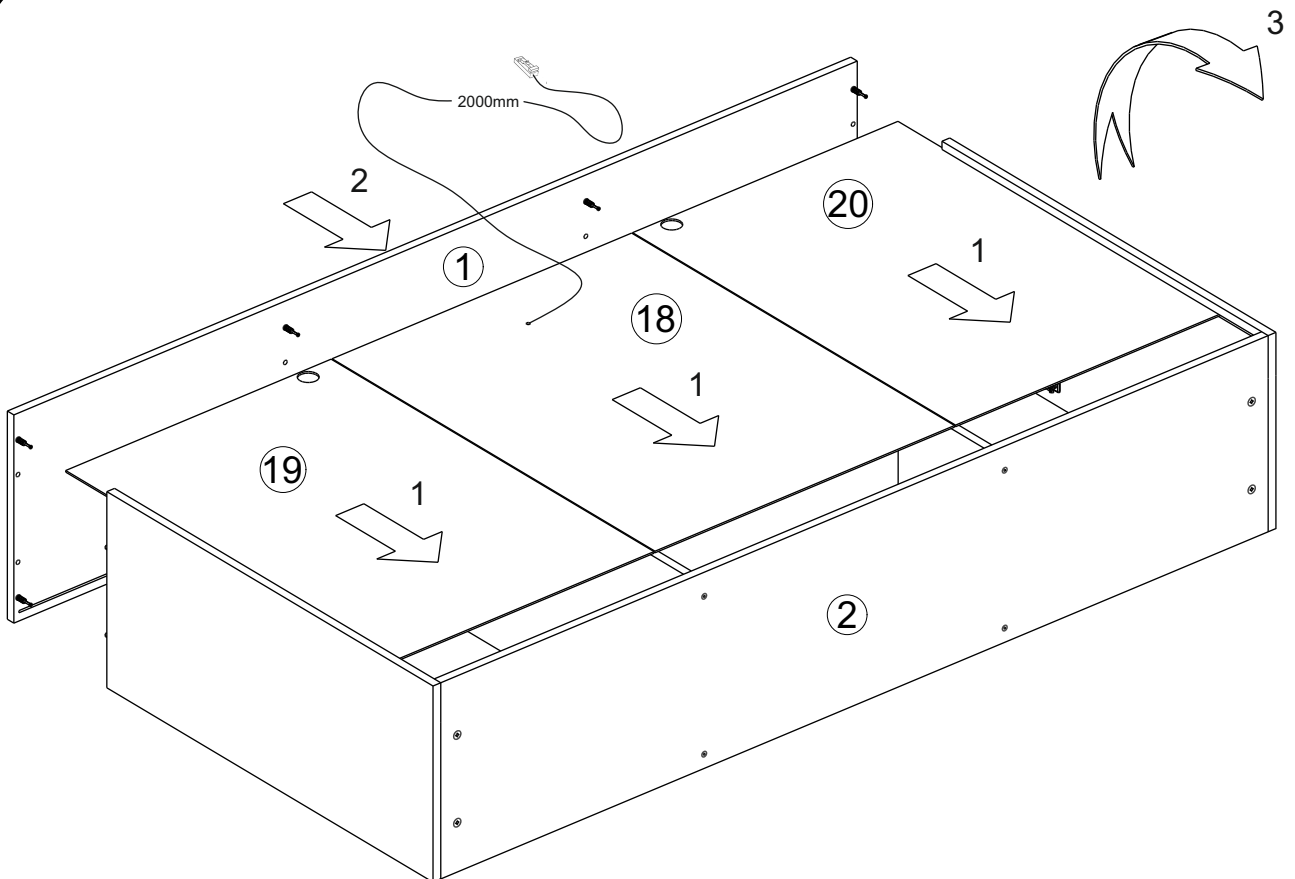
5



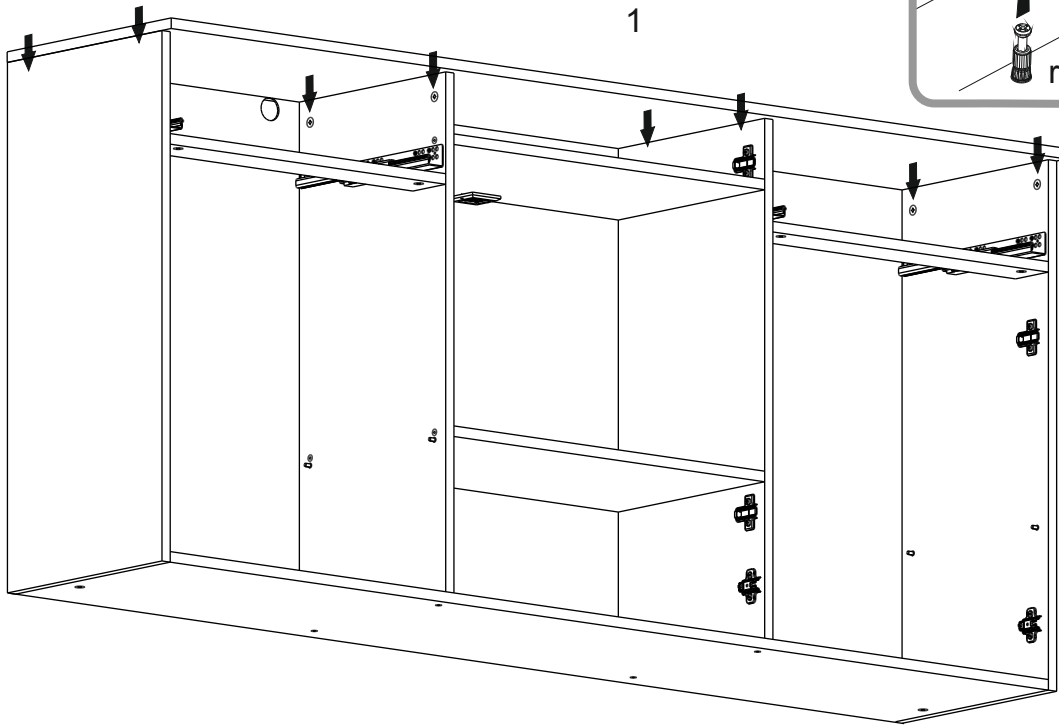
6




7





8

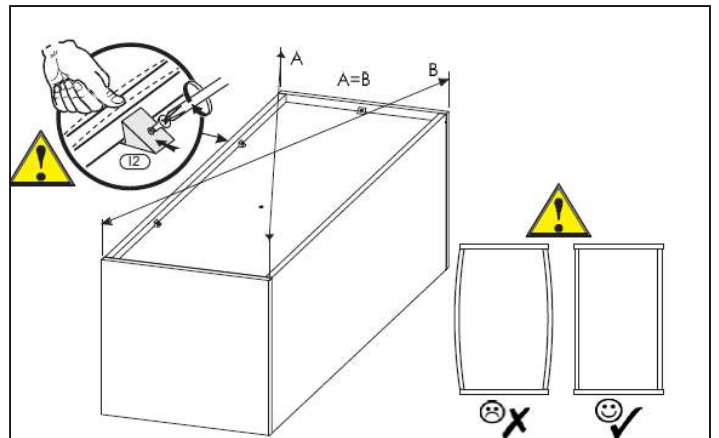
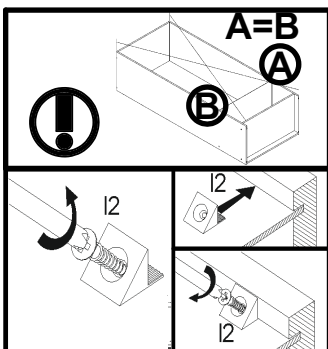
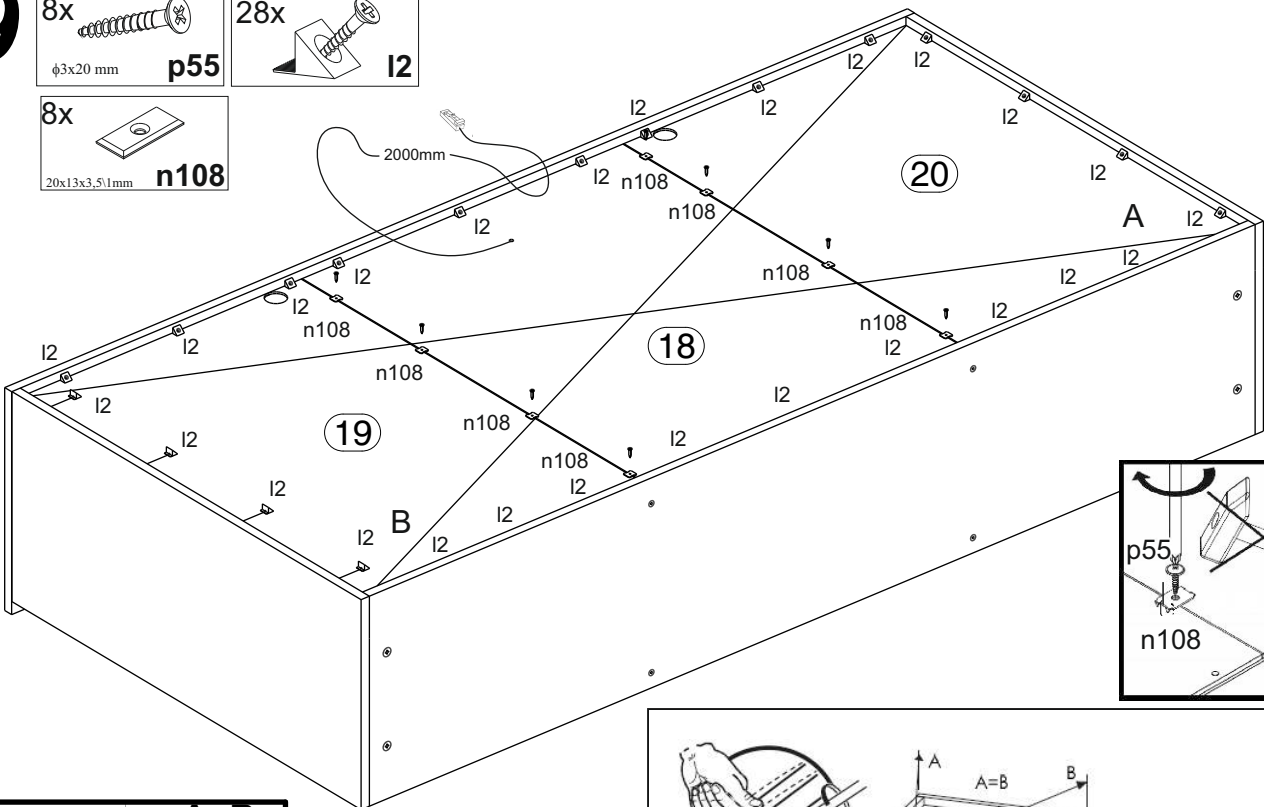


9


8x  $\phi 3 \times 20$ mm **p55**

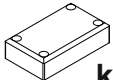
28x  **I2**

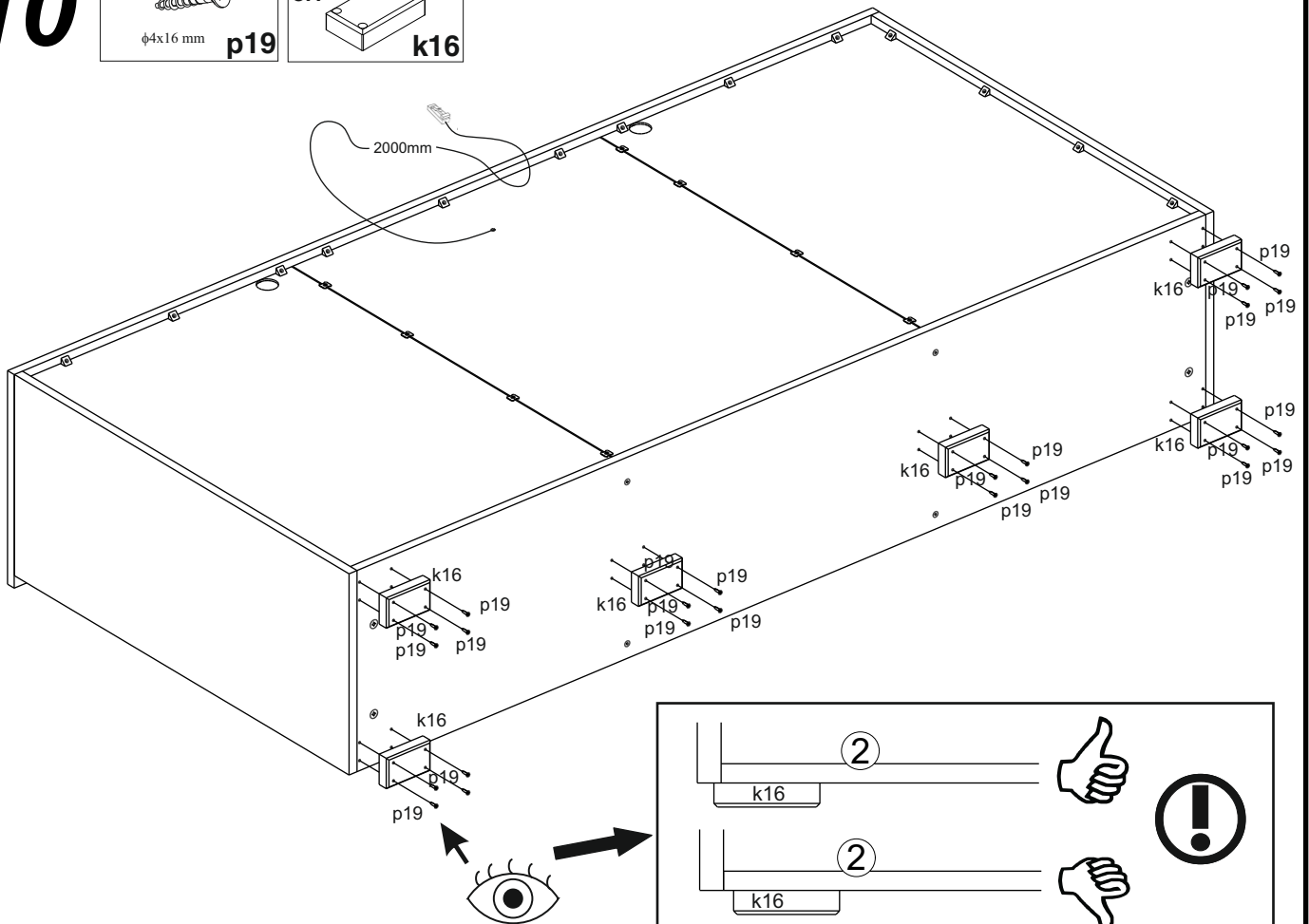
8x  **n108**
20x13x3.51mm



10


24x  $\phi 4 \times 16$ mm p19

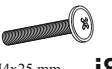
6x  k16

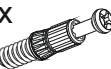



11


 S2

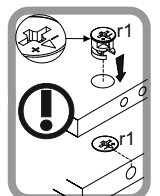
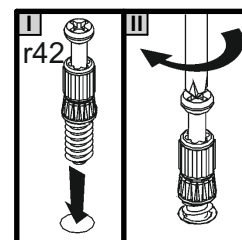
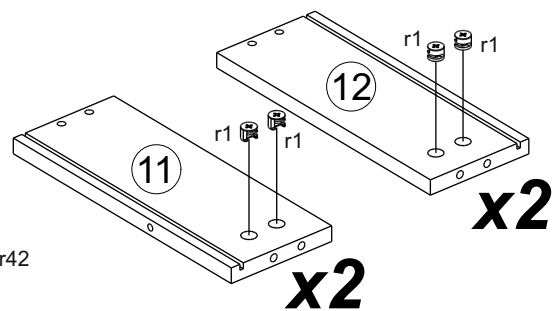
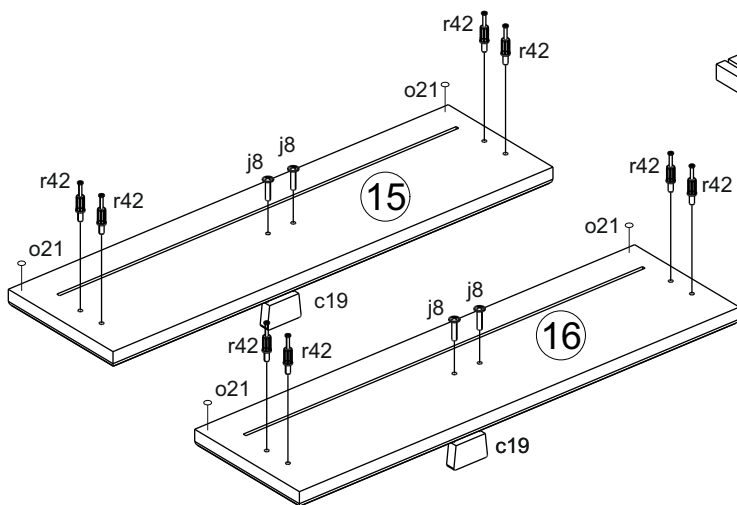
2x  c19

4x  M4x25 mm j8

8x  20/11 r42

4x  $\phi 8 \times 1,8$ mm o21

8x  $\phi 15 \times 12$ mm r1



12

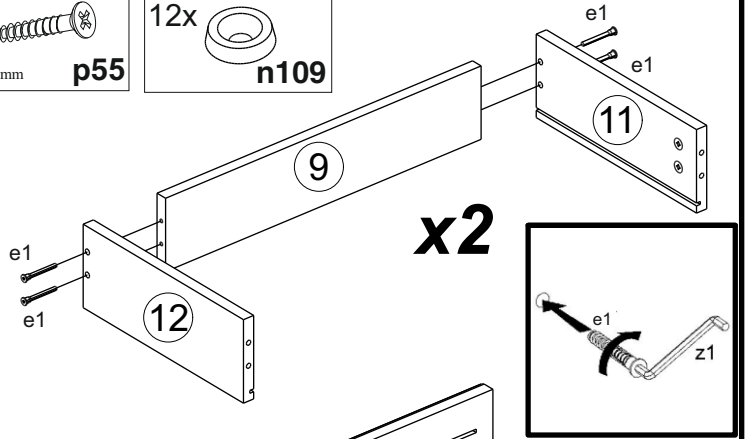
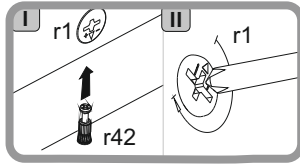
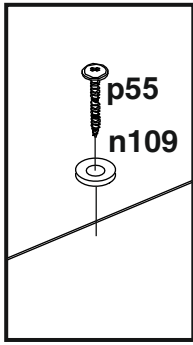


8x $\phi 7 \times 50$ mm **e1**

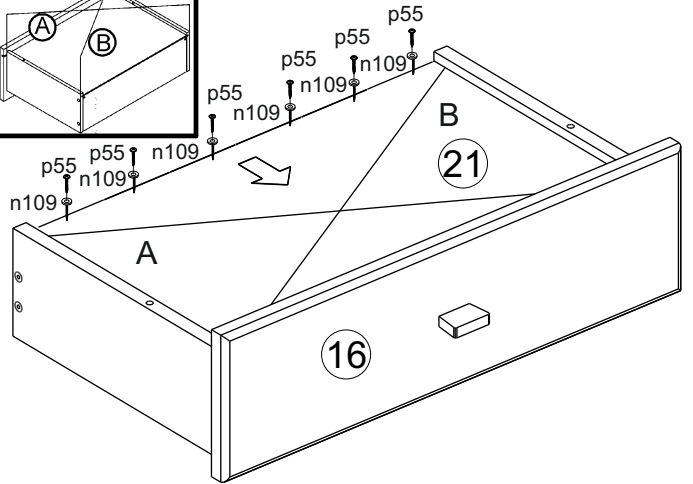
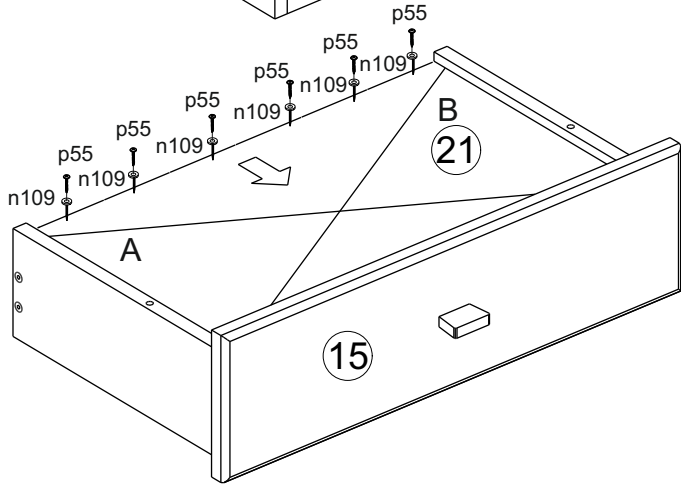
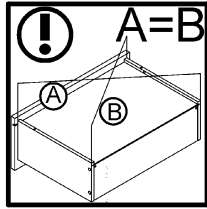
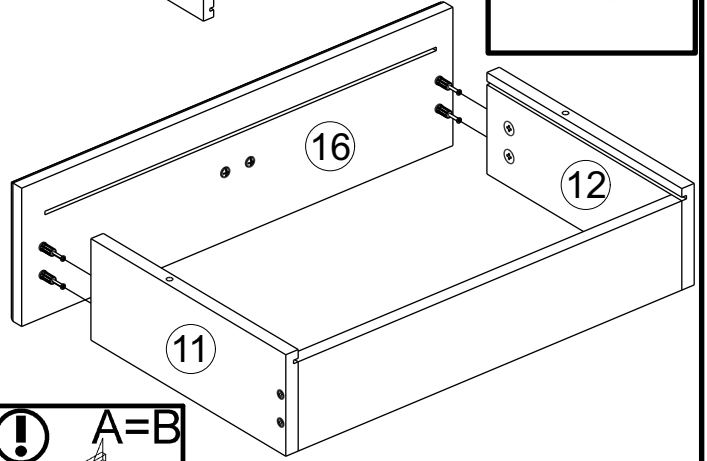
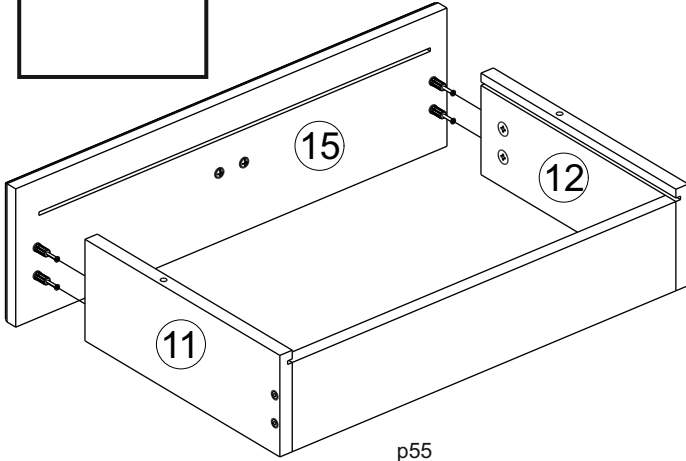
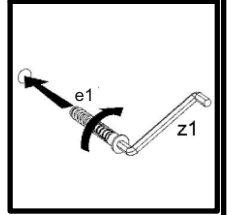
1x **z1**

12x $\phi 3 \times 20$ mm **p55**

12x **n109**



x2



13

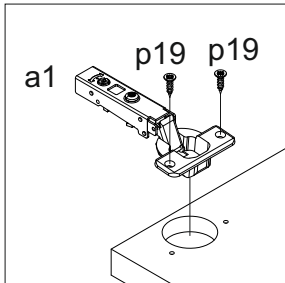


4x M4x25 mm **j8**

2x **a1**

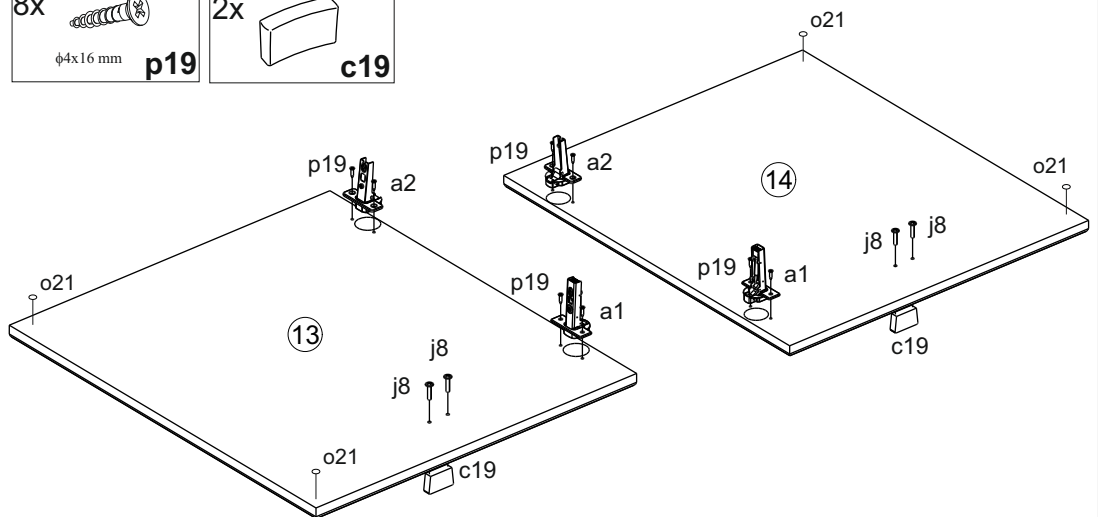
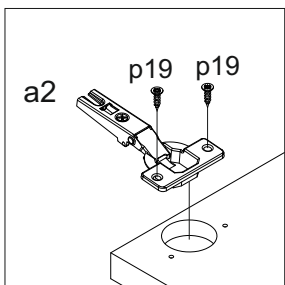
2x **a2**

4x $\phi 8 \times 1,8$ mm **o21**

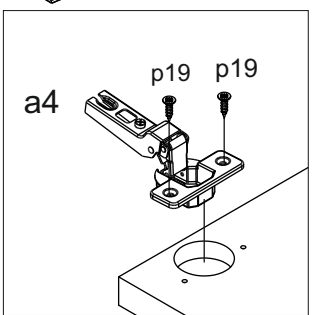
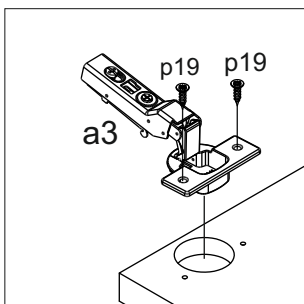
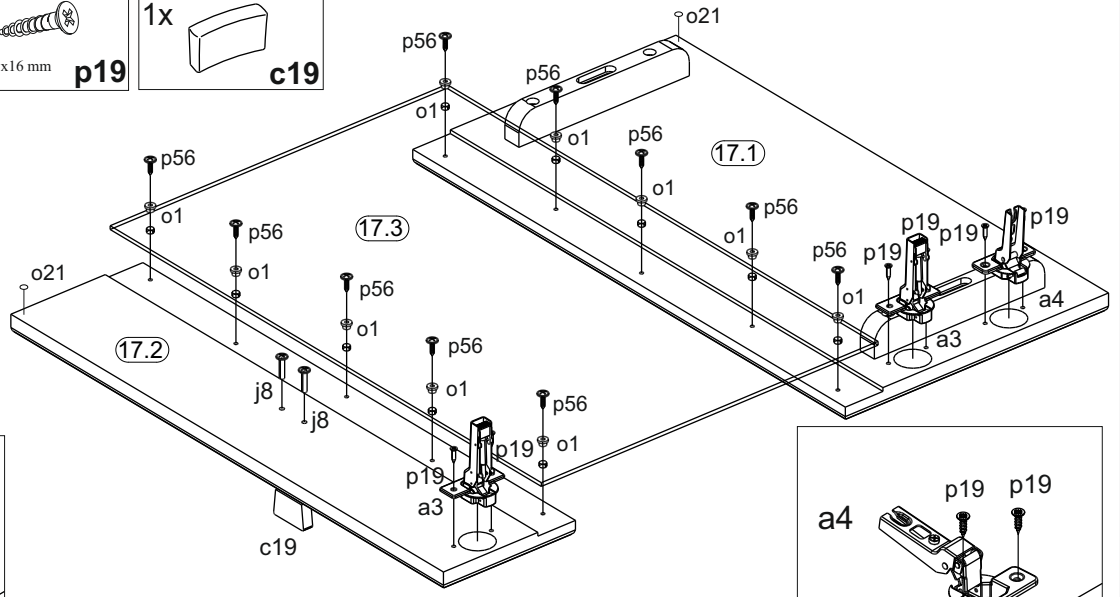
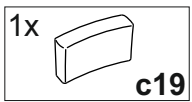
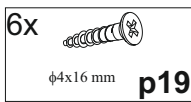
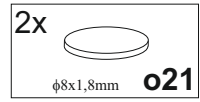
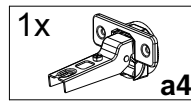
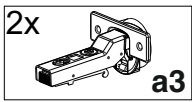
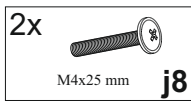


8x $\phi 4 \times 16$ mm **p19**

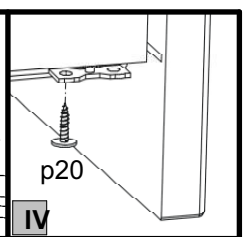
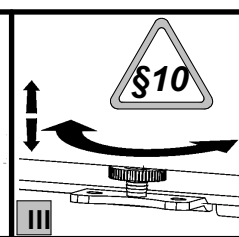
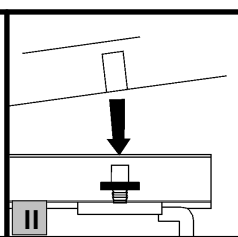
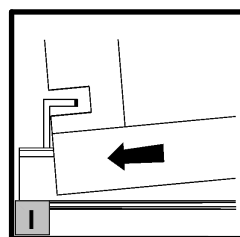
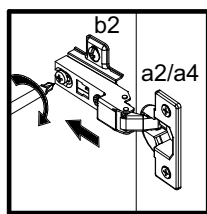
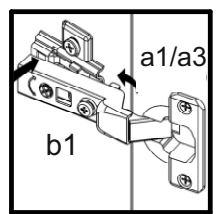
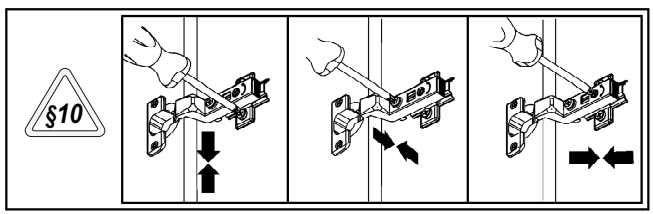
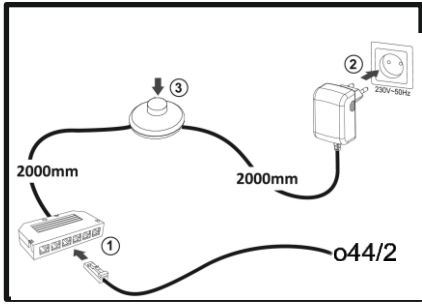
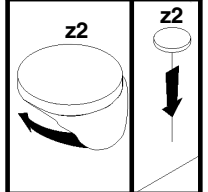
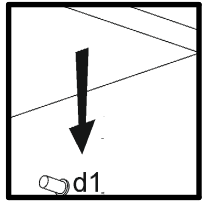
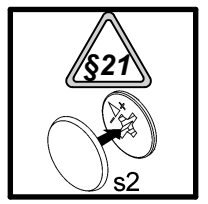
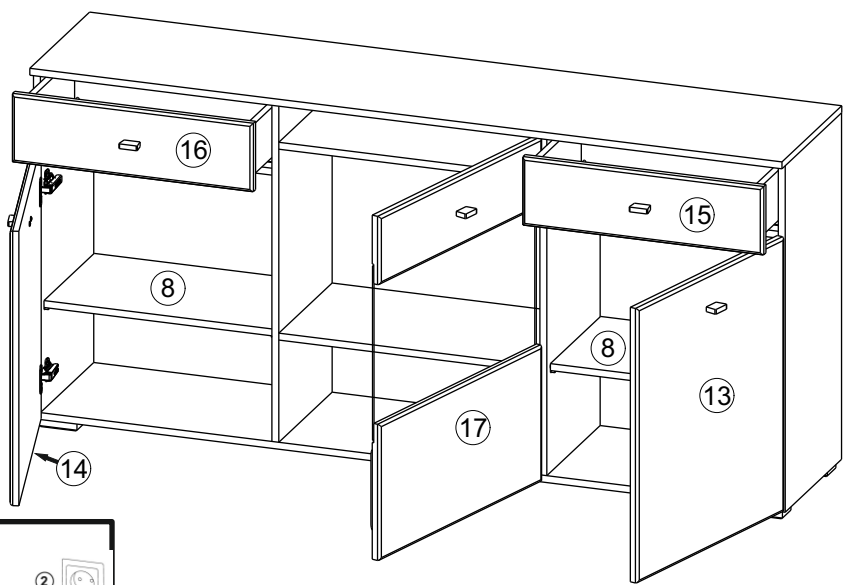
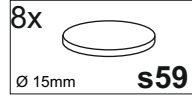
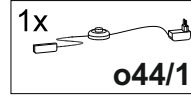
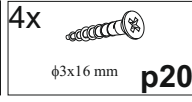
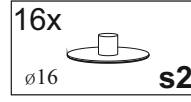
2x **c19**



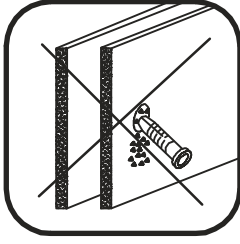
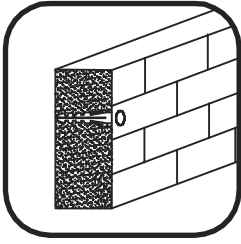
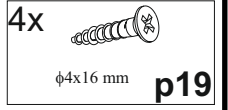
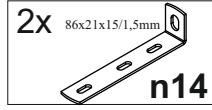
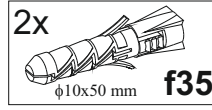
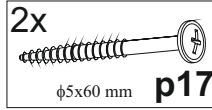
14



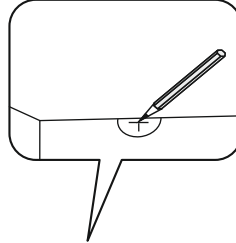
15



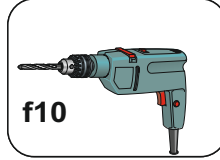
16



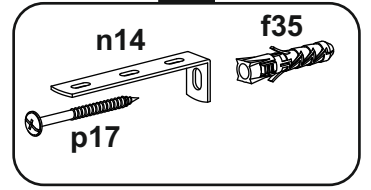
A



B



C



D

