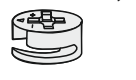
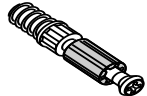

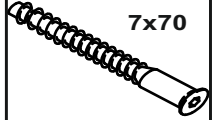


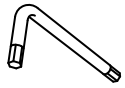



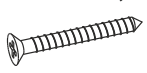



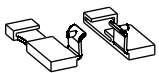
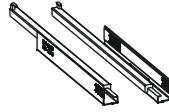

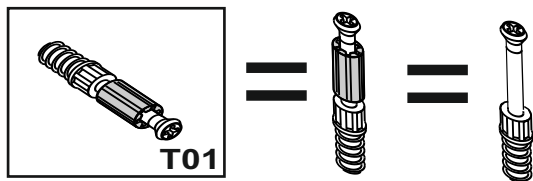
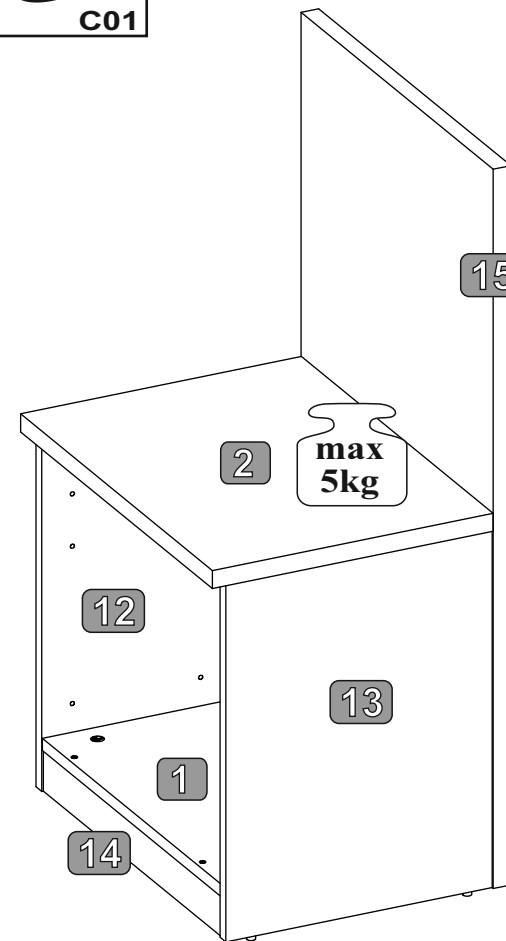
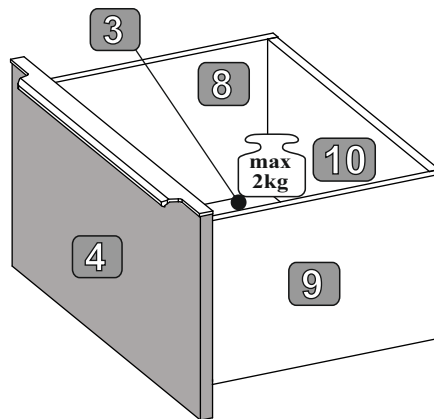
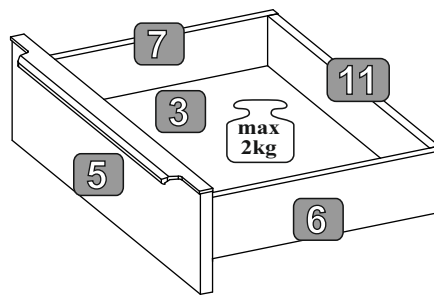
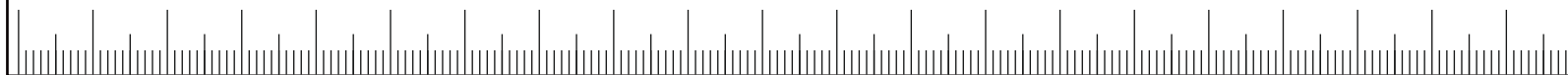
 8x T02	 6x T12	 14x T01	 20x D01	 6x W70	 1x K01	 8x W16	 1x K02	 4x S01	 3x K50
 12x W30	 2x W46	 8x R01	 8x W12	 8x W02	 2x _{L+R} B12	 2x _{L+R} P05	 6x C01		



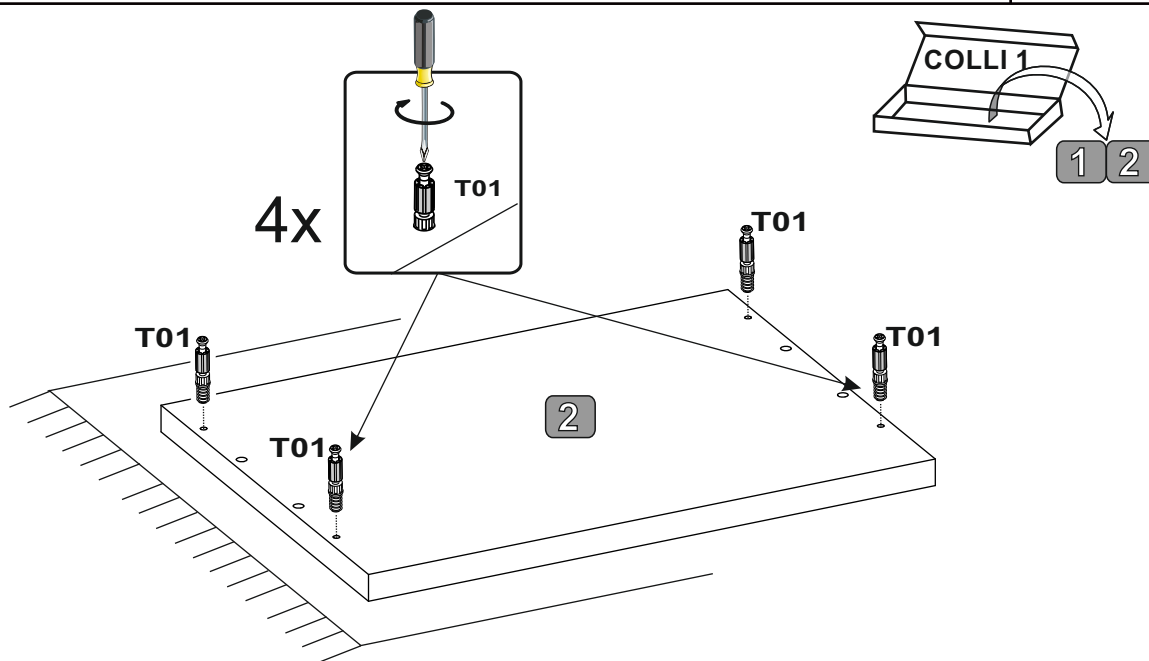
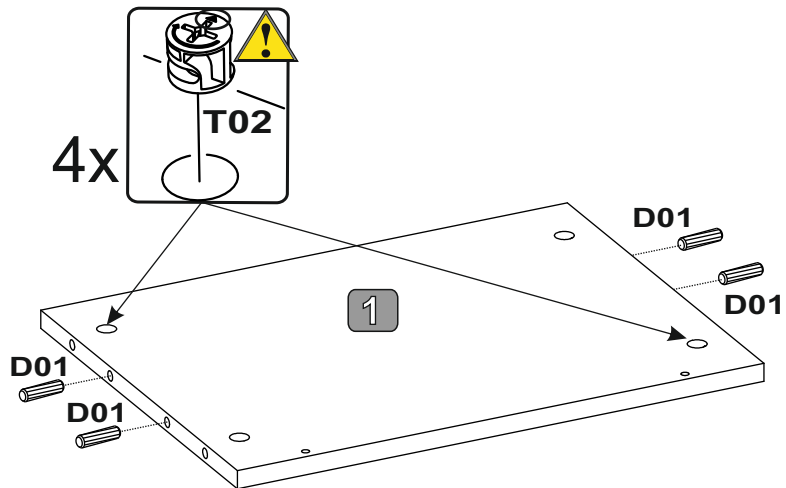
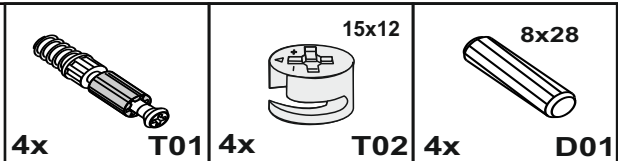
NR	DIM	QTE	COLLI
1	444x331,5x15	1	1/1
2	478x350x22	1	1/1
3	415x300x2	2	1/1
4	470x249x15	1	1/1
5	470x123x15	1	1/1
6	300x75x12	1	1/1
7	300x75x12	1	1/1
8	300x200x12	1	1/1
9	300x200x12	1	1/1
10	404x200x12	1	1/1
11	404x75x12	1	1/1
12	436x332x15	1	1/1
13	436x332x15	1	1/1
14	444x50x15	1	1/1
15	479x878x22	1	1/1



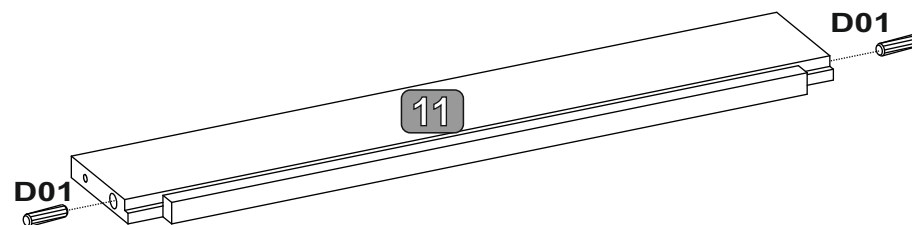
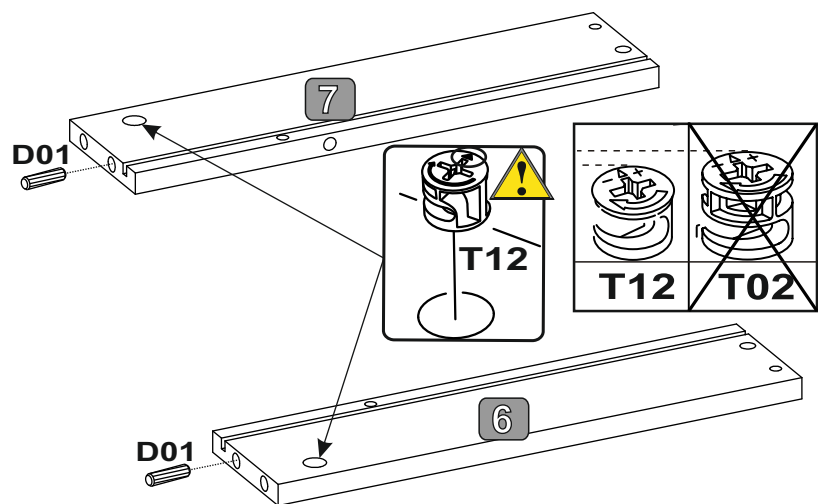
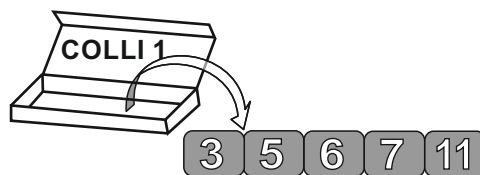
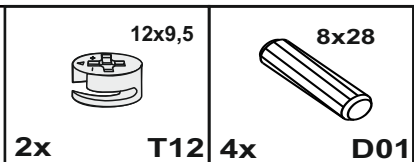
0 10 20 30 40 50 60 70 80 90 100 110 120 130 140 150 160 170 180 190 200



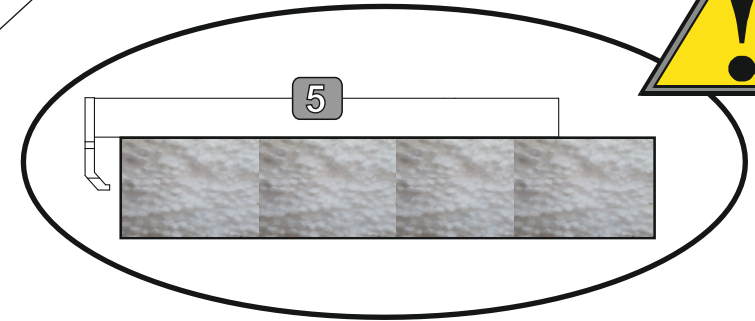
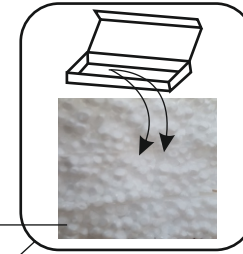
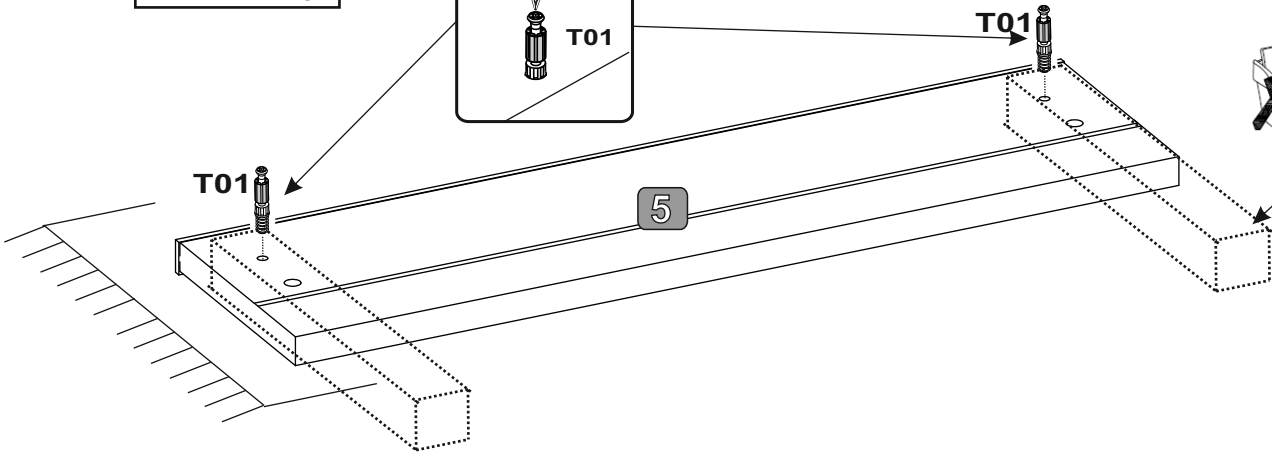
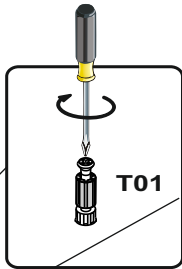
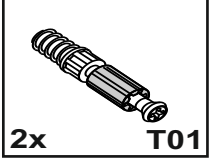
1



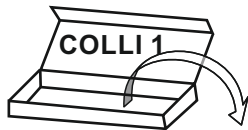
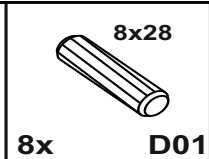
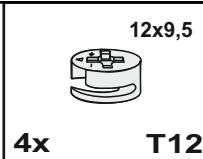
2



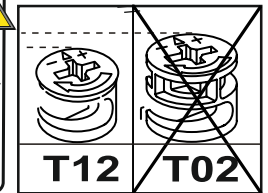
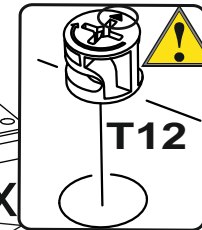
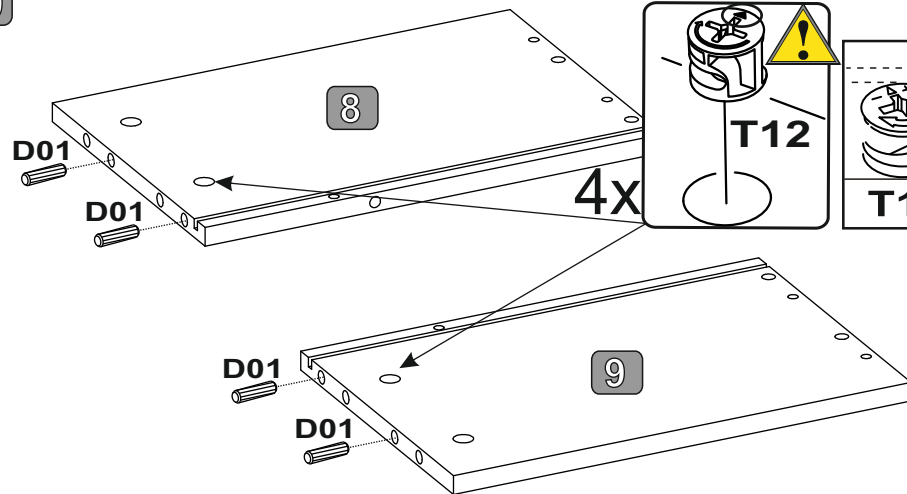
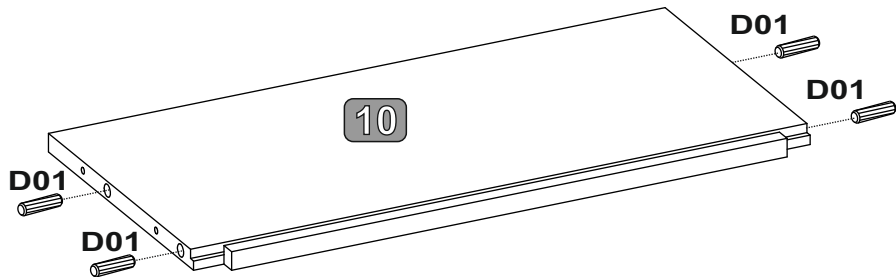
3



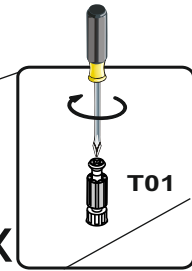
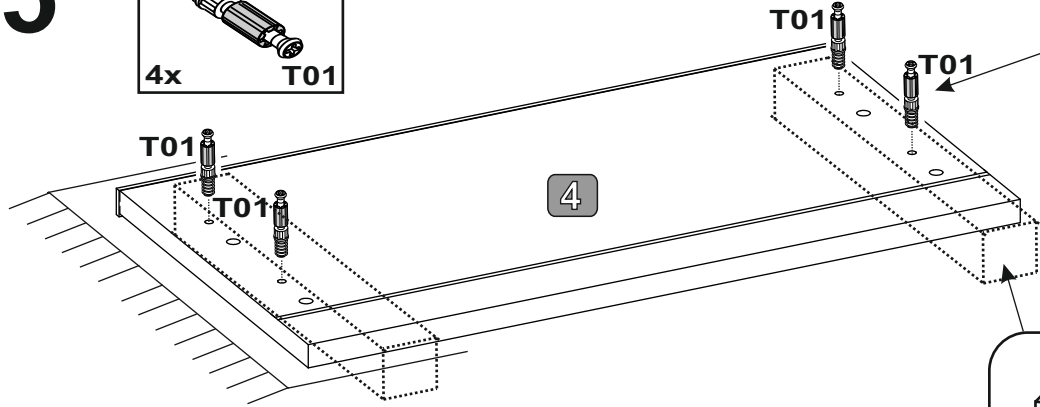
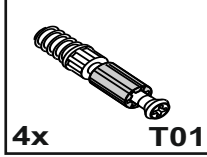
4



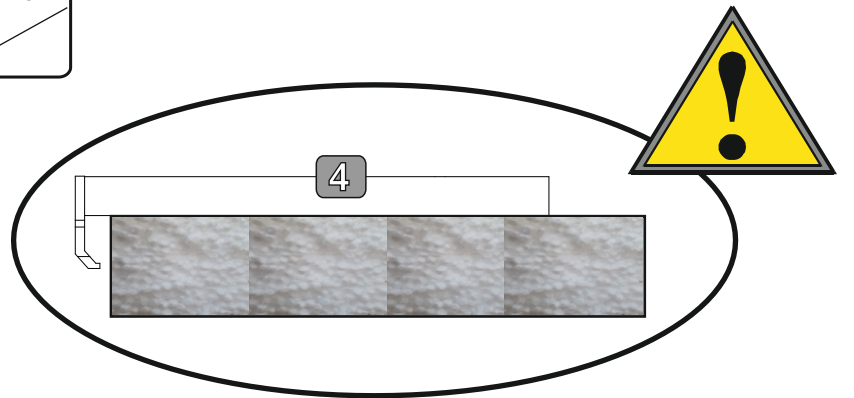
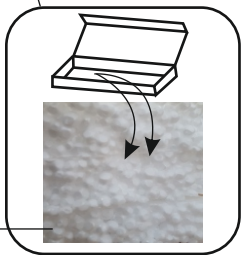
3 4 8 9 10



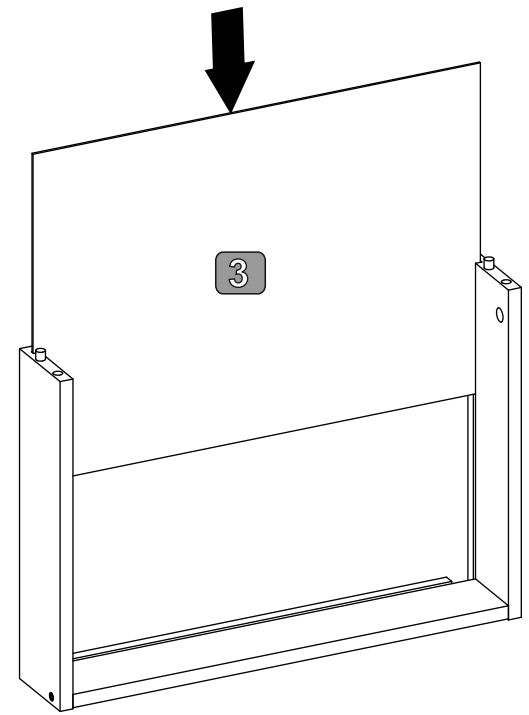
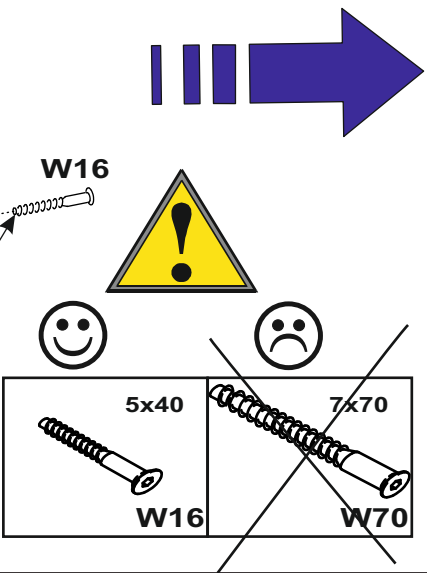
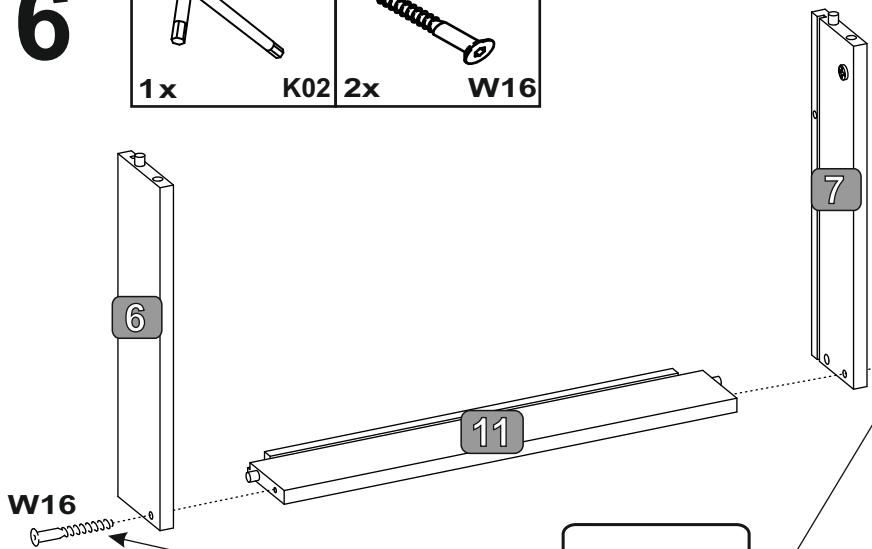
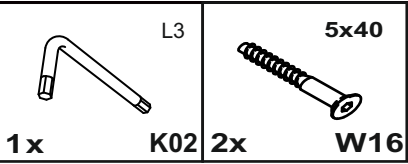
5



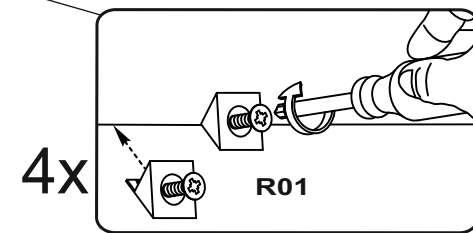
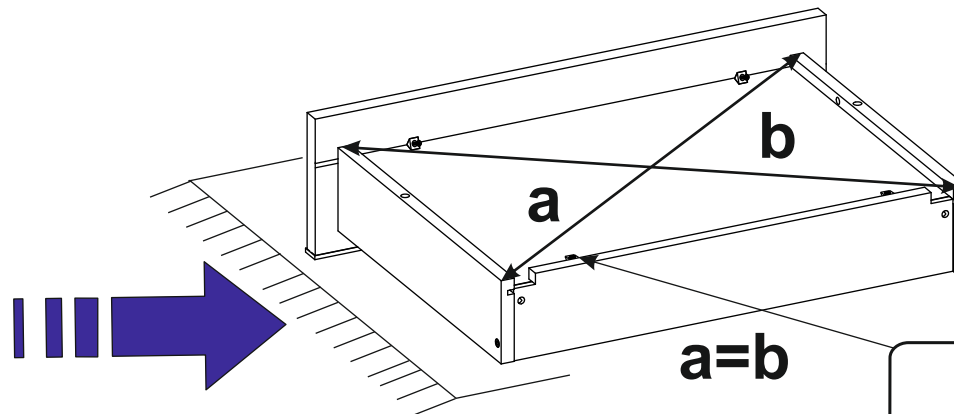
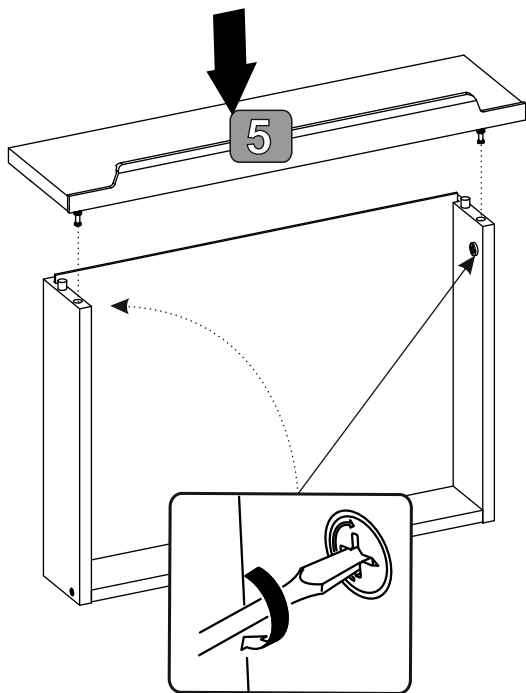
4x



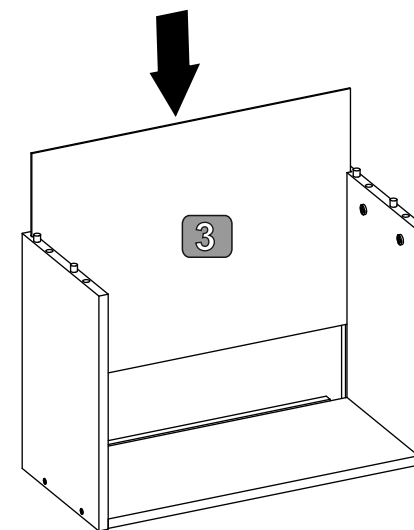
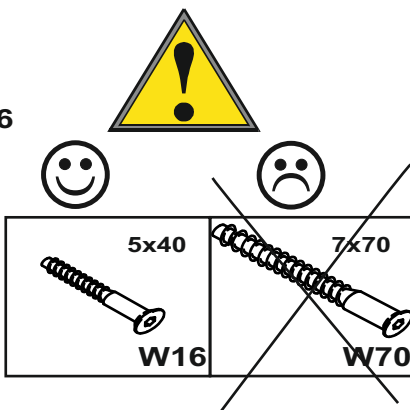
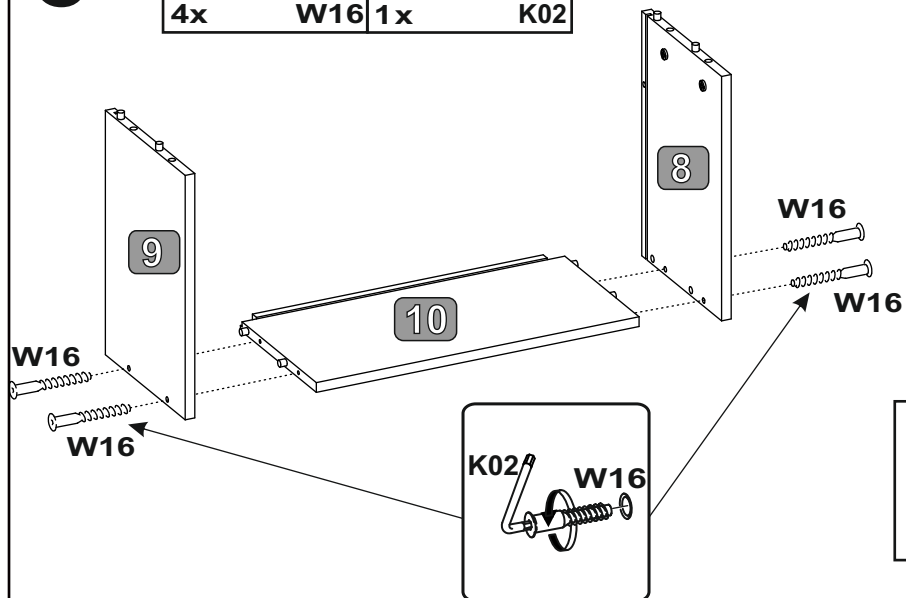
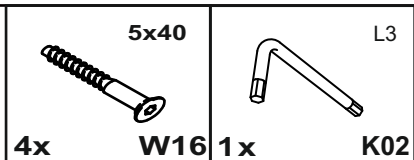
6



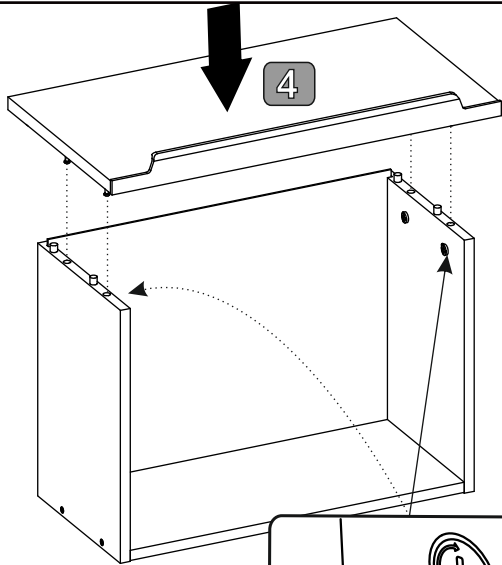
7



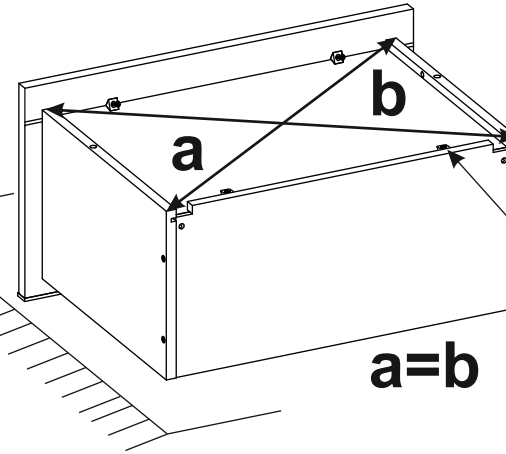
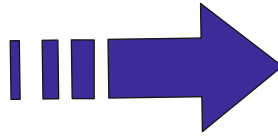
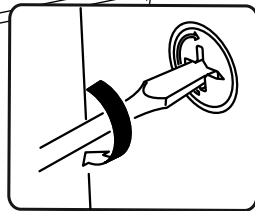
8



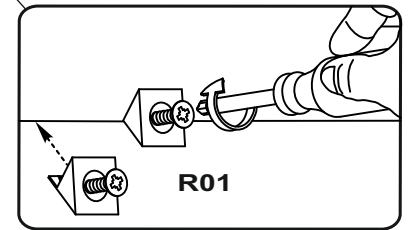
9



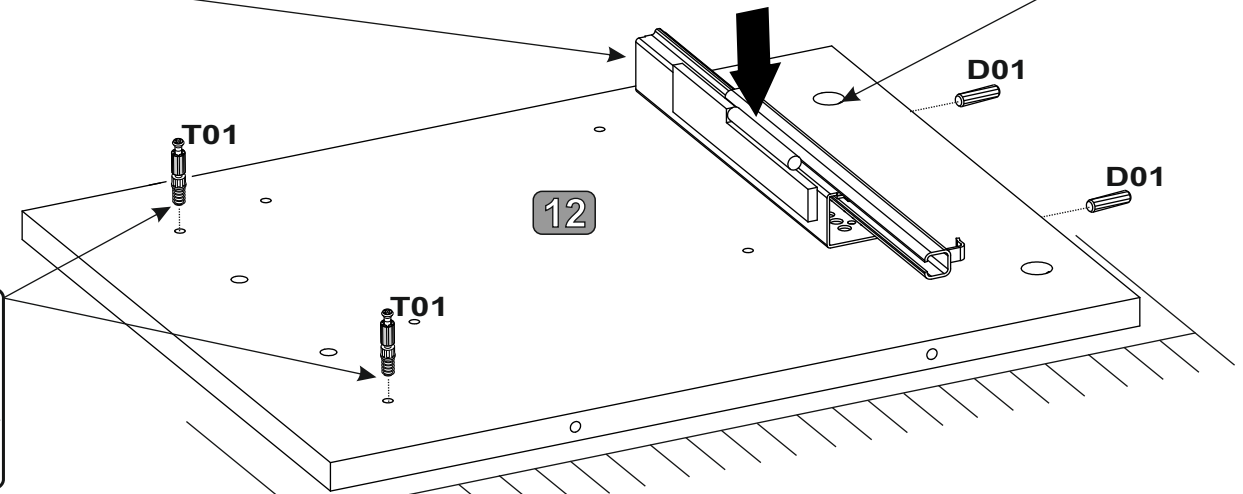
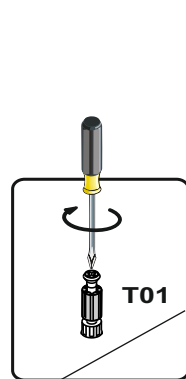
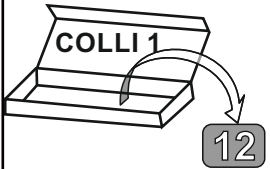
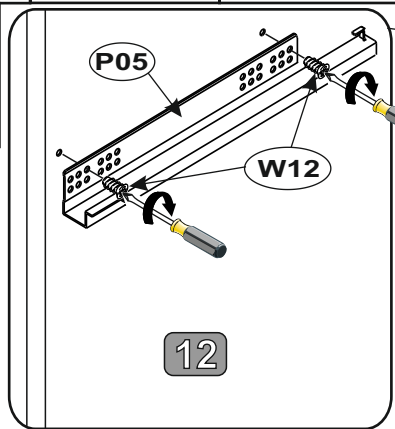
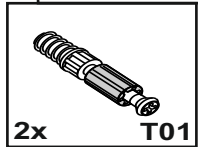
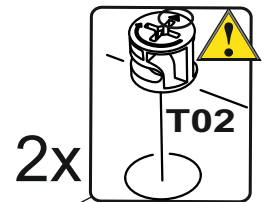
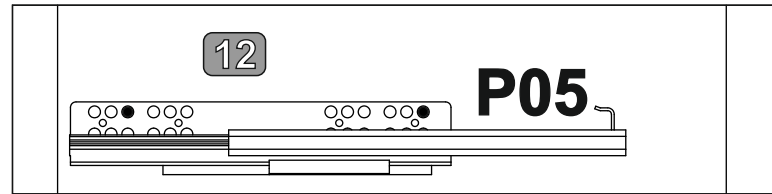
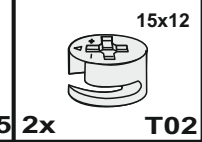
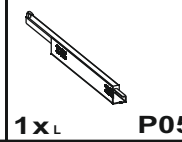
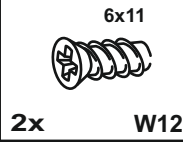
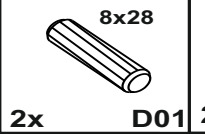
4x



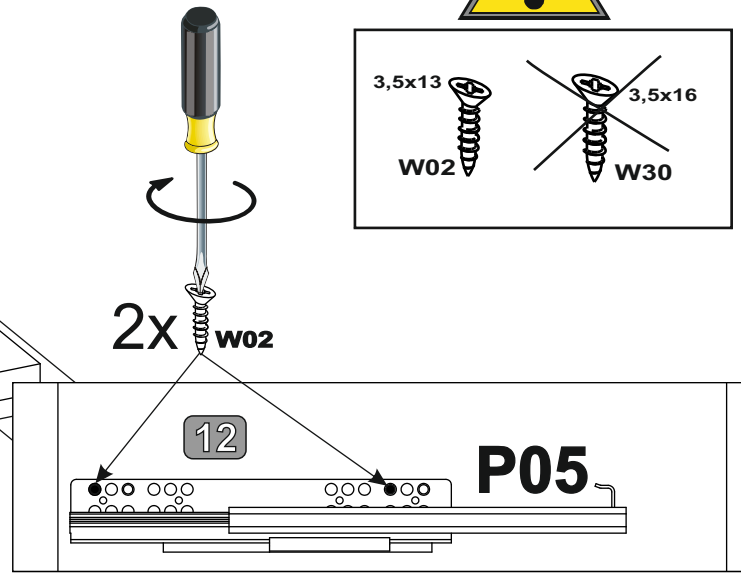
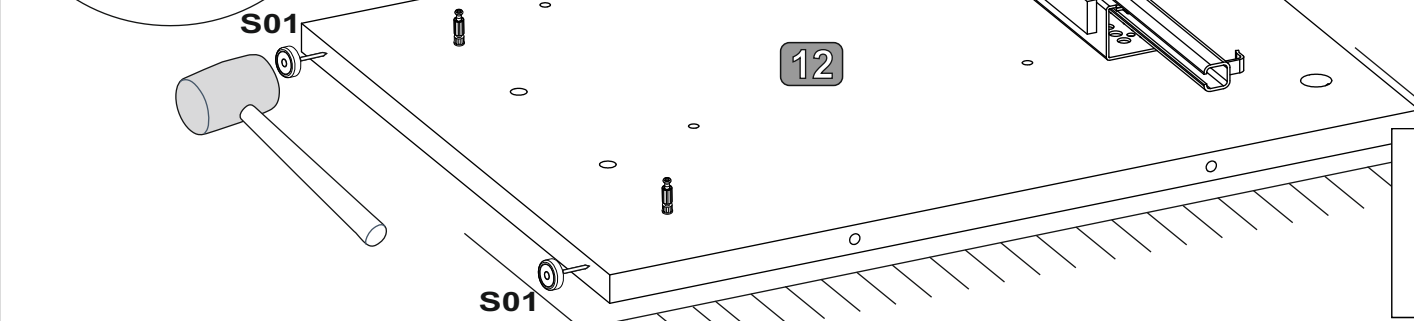
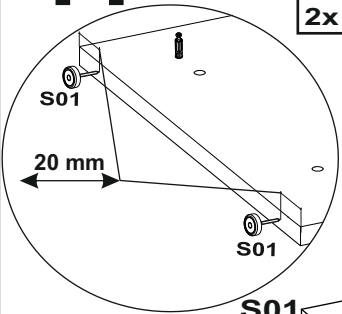
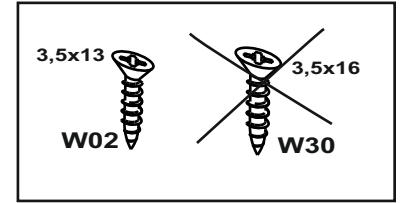
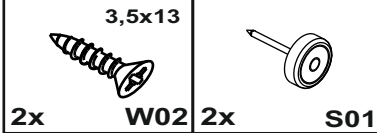
a=b



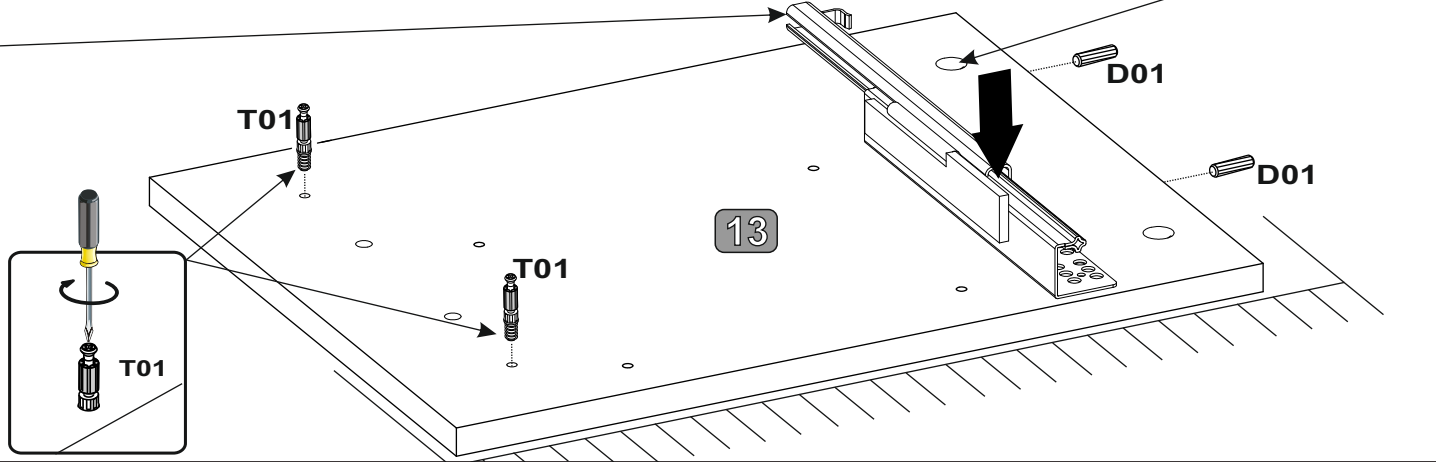
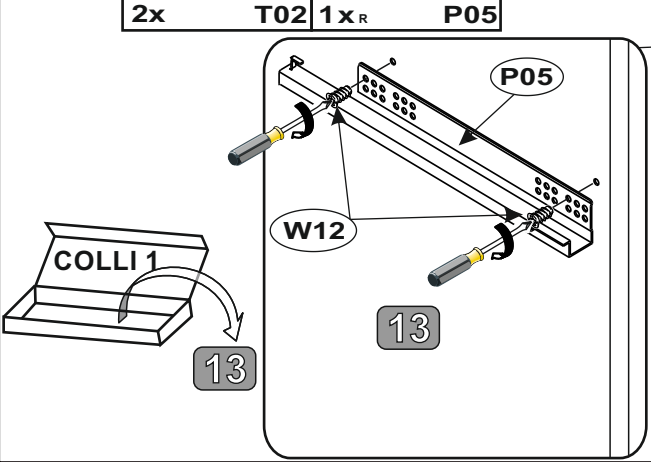
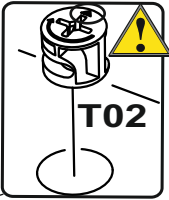
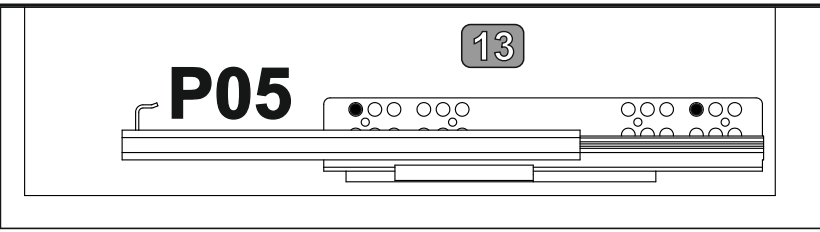
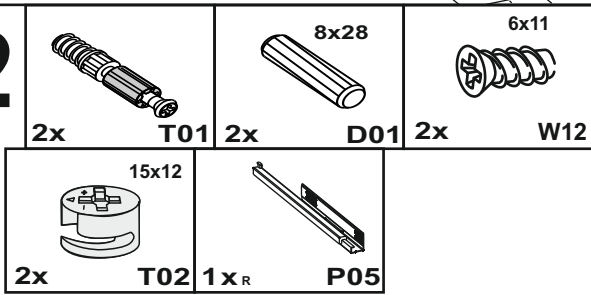
10




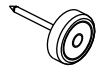
11



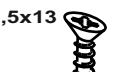

12

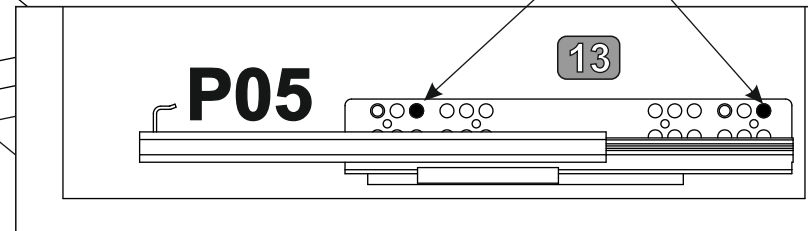
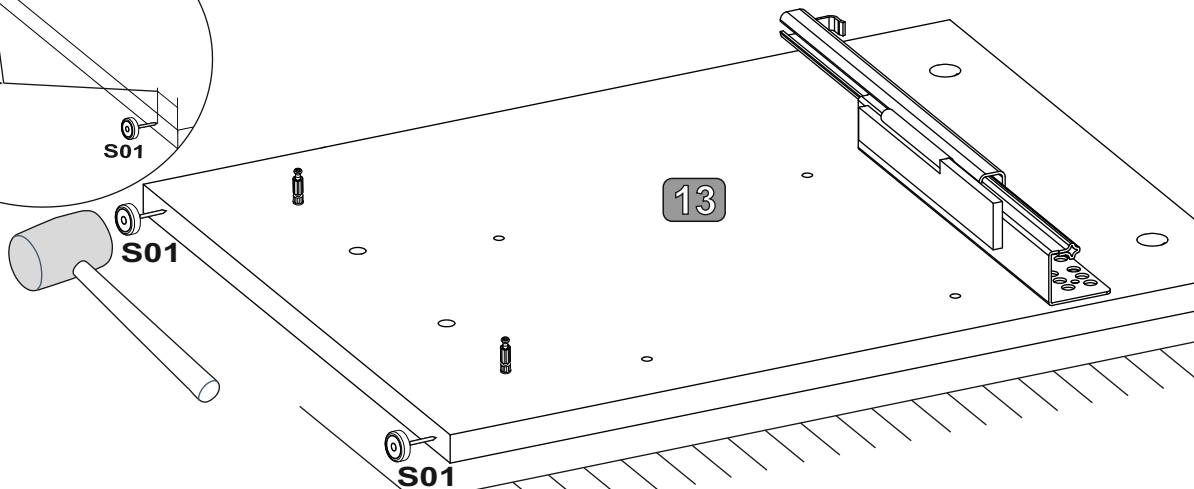
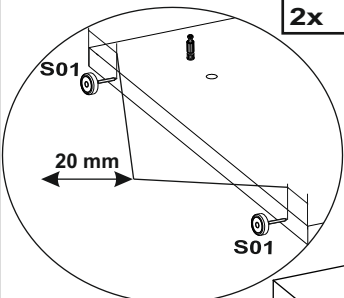
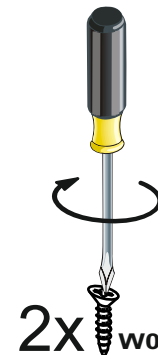


13



3,5x13	
	
2x W02	2x S01

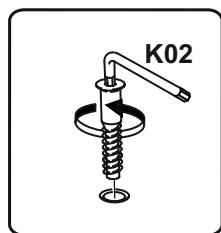
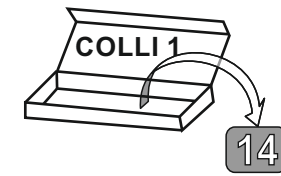






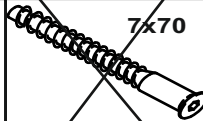
3,5x13	3,5x16
	
W02	W30

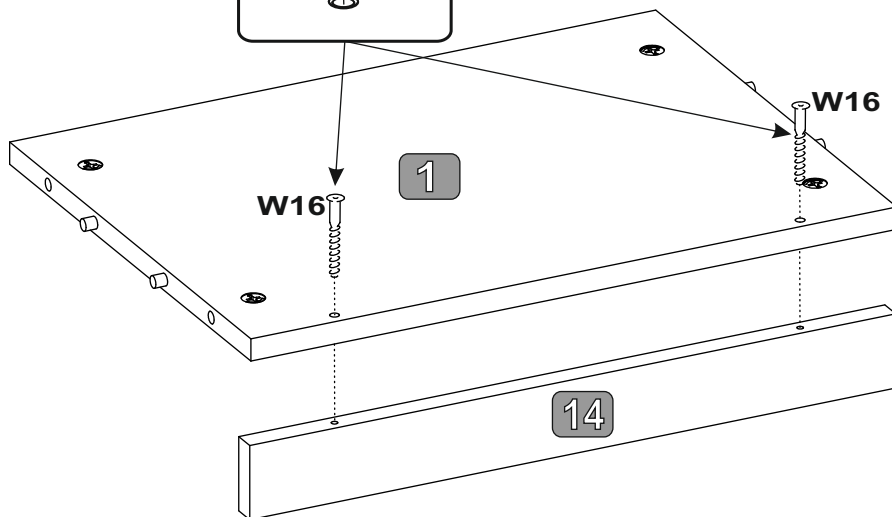


14

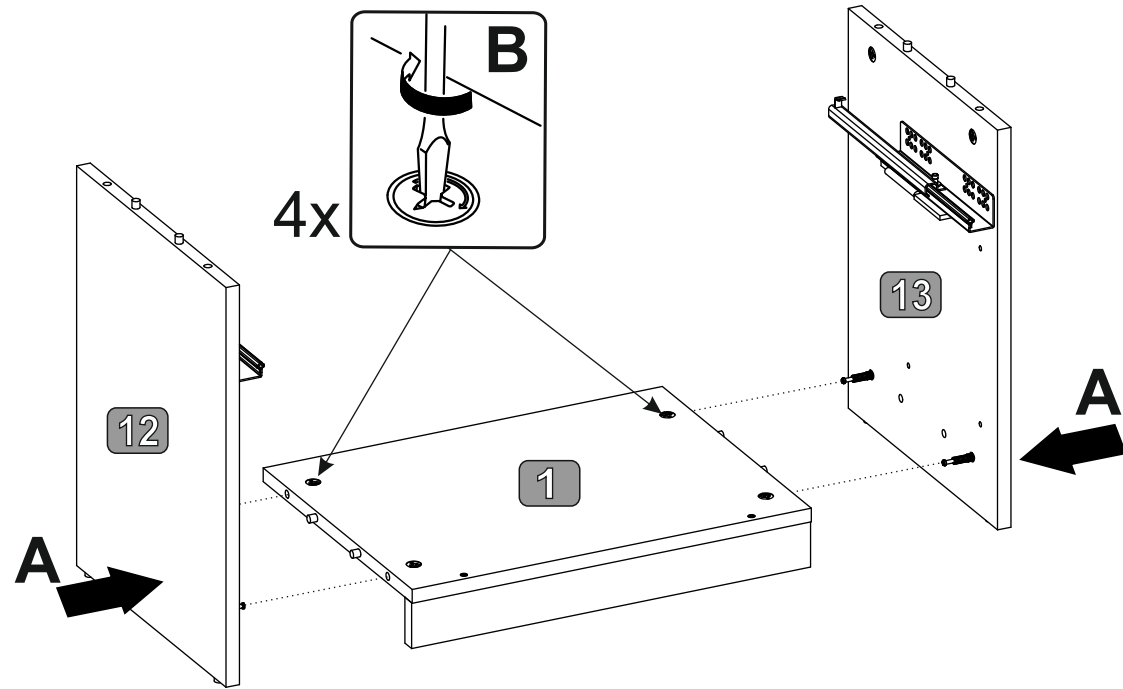
5x40	L3
	
2x W16	1x K02



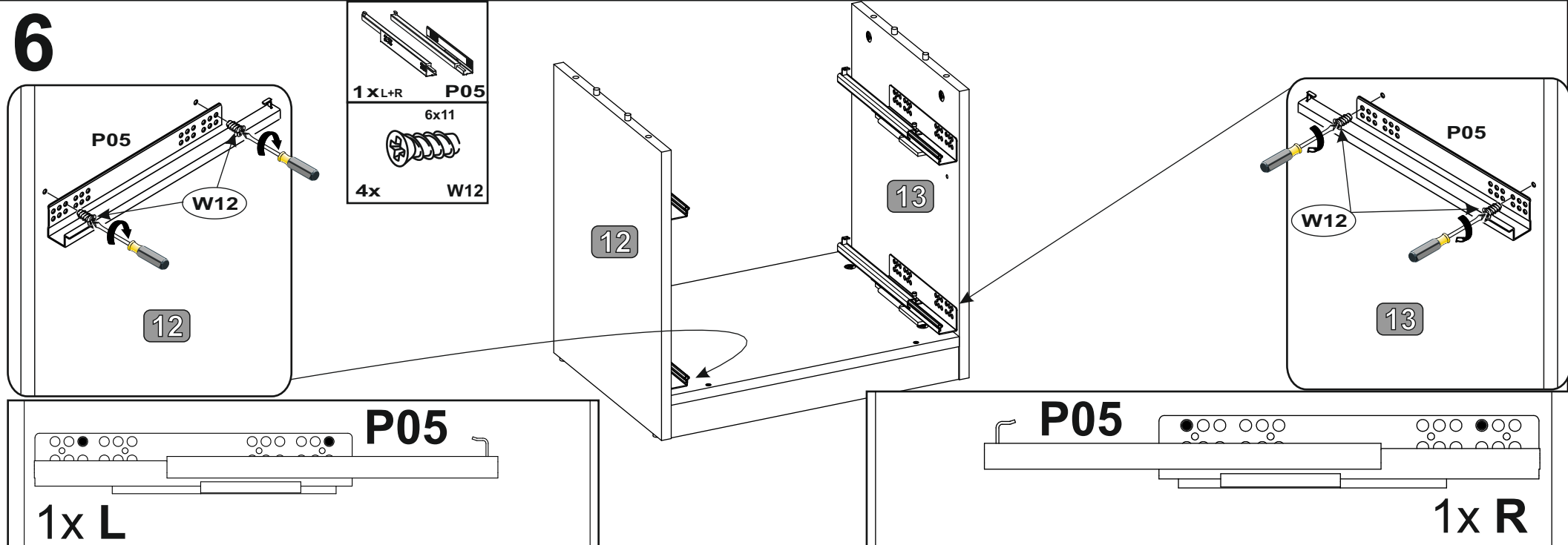
		
5x40	7x70	
		
W16	W70	



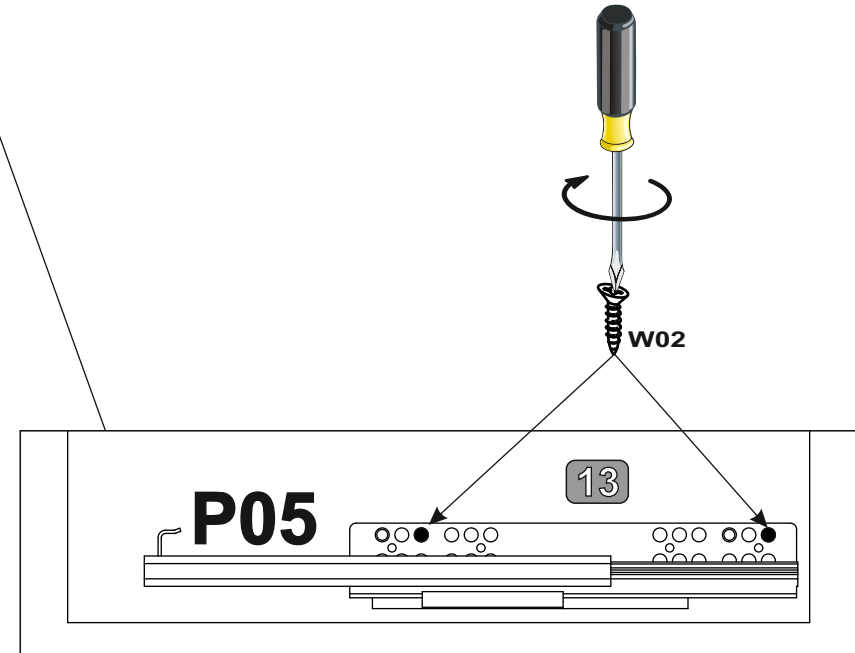
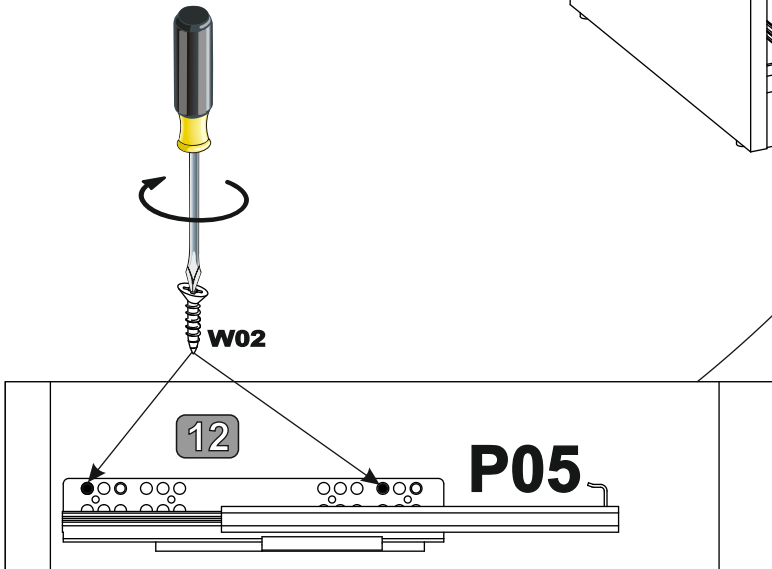
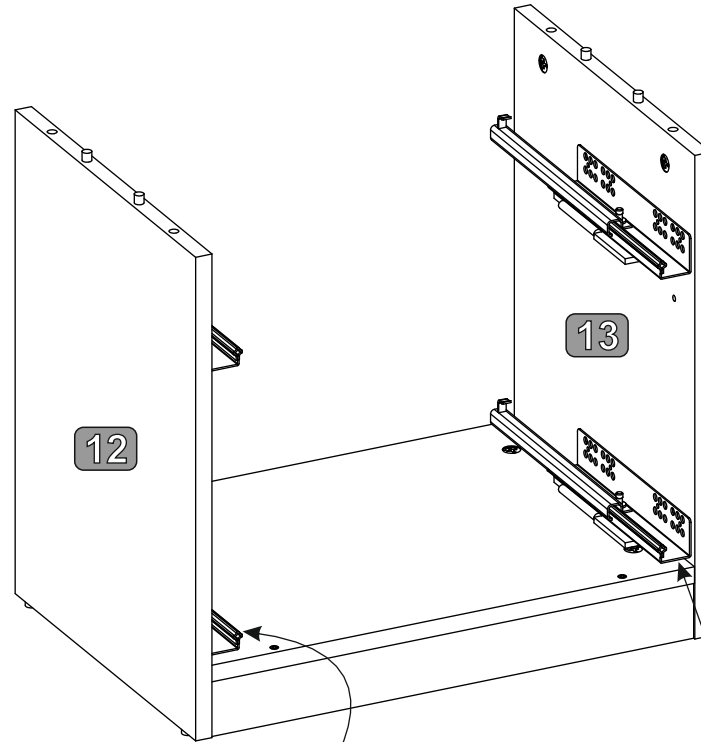
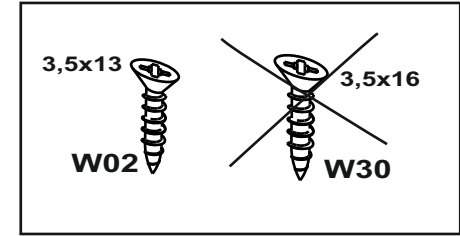
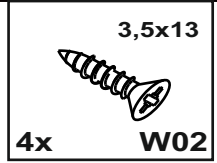
15



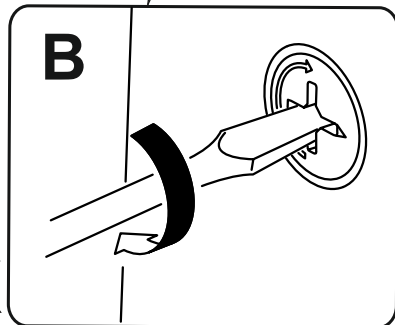
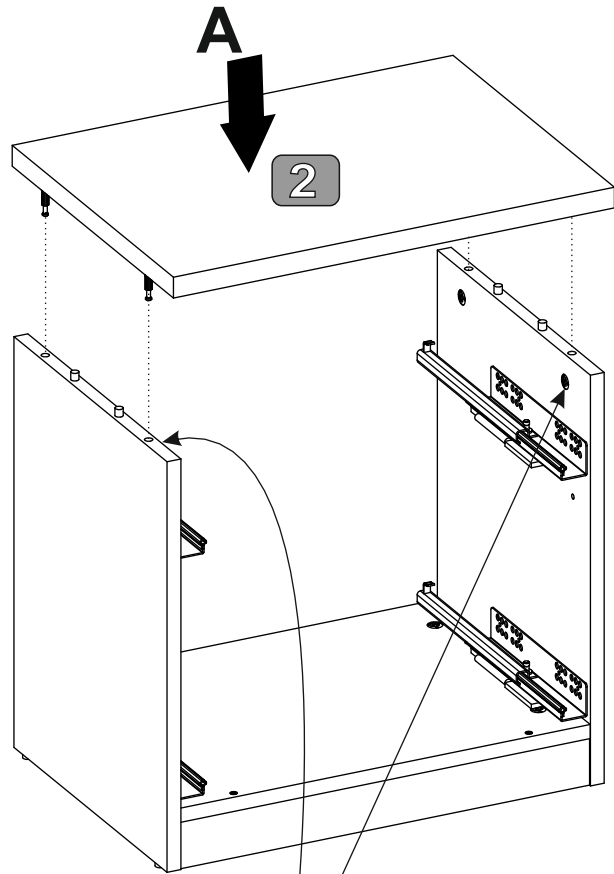
16



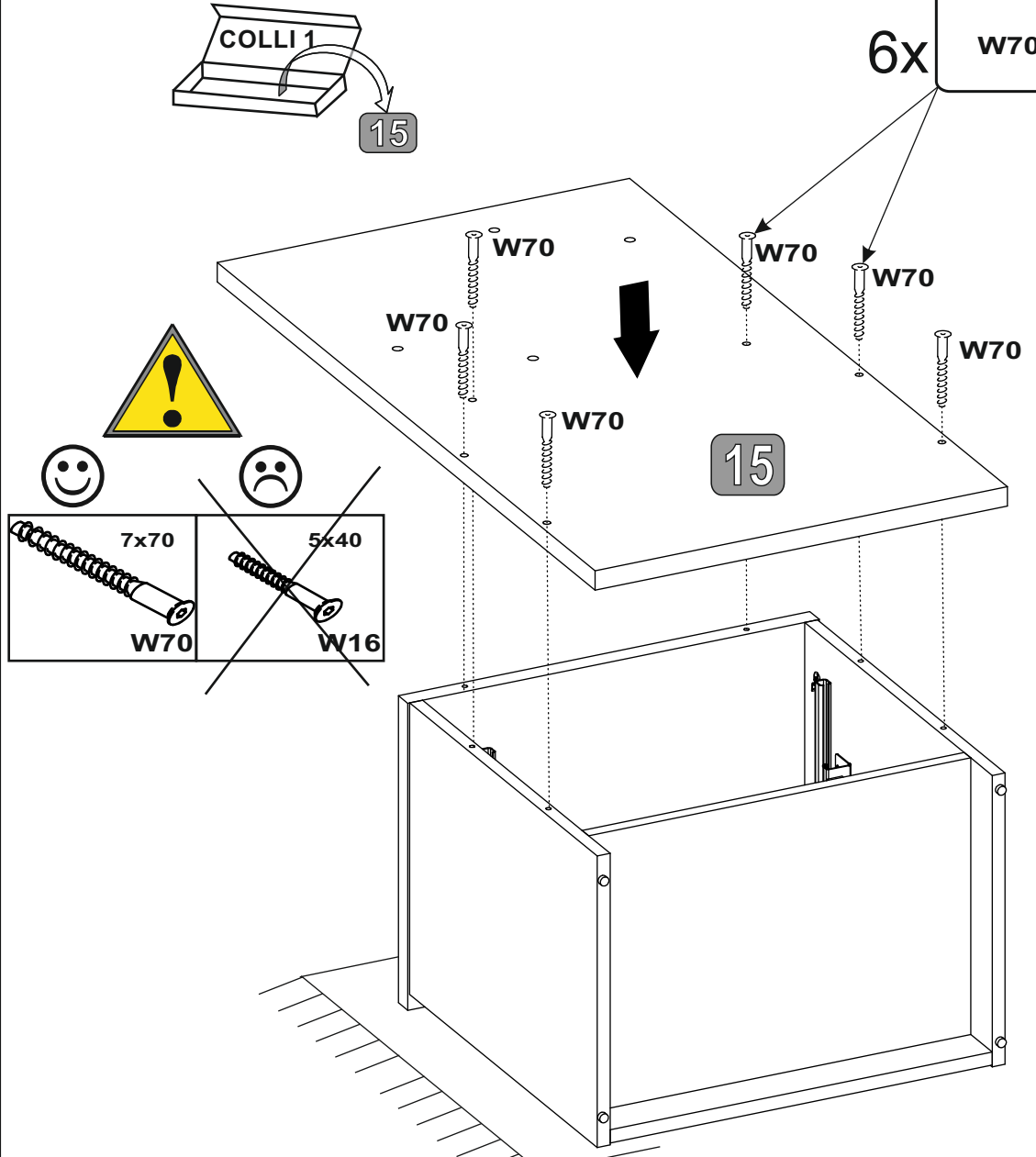
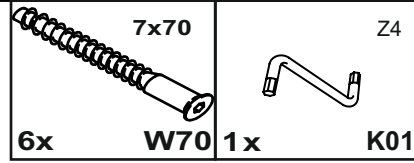
17



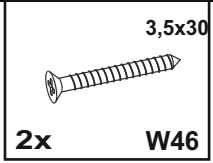
18



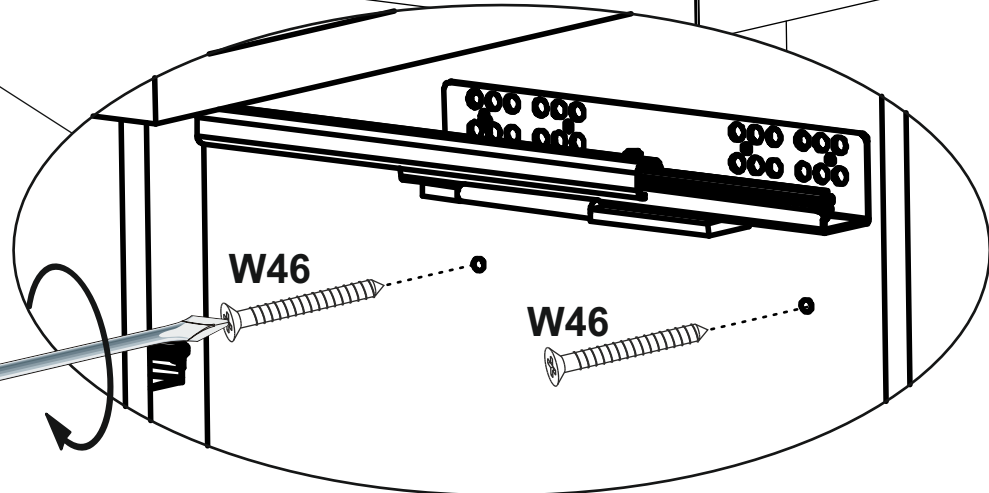
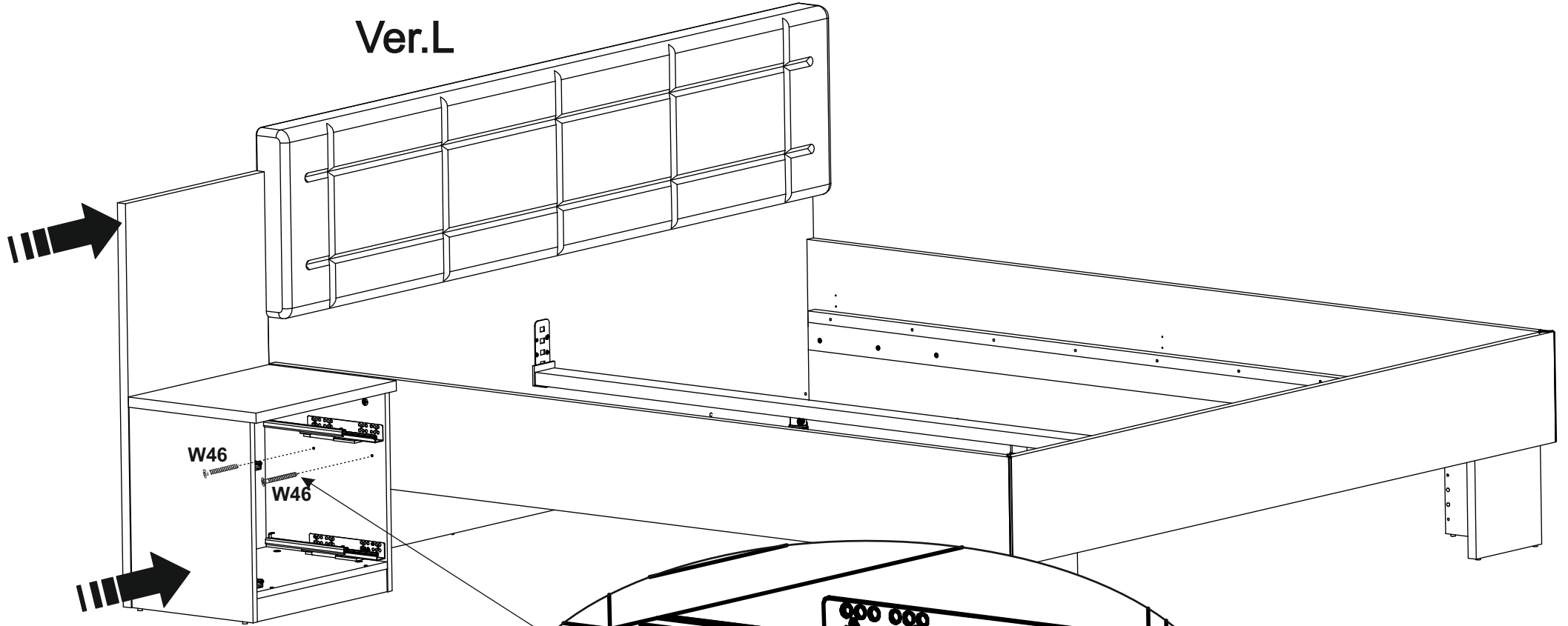
19



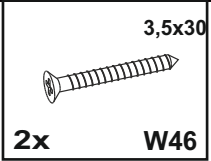
20



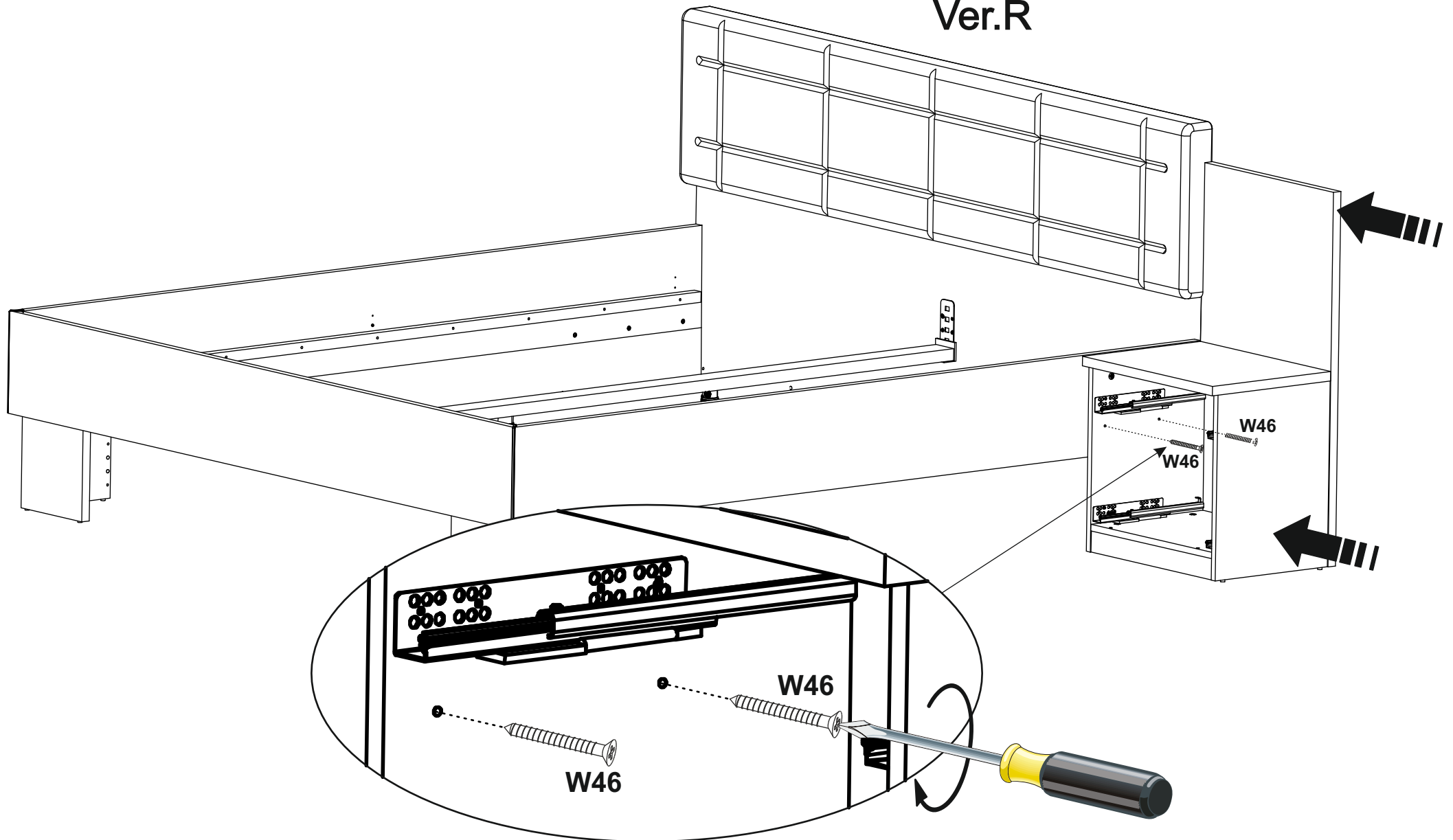
Ver.L



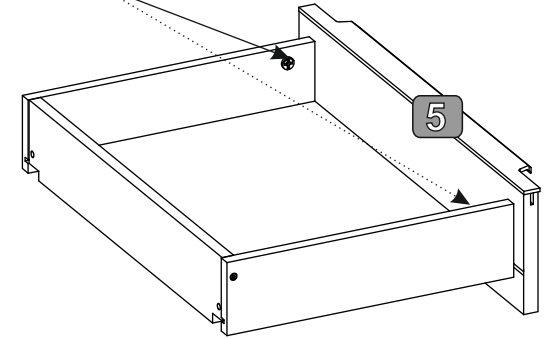
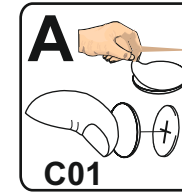
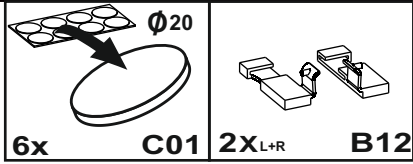
21



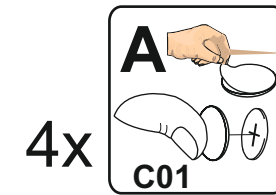
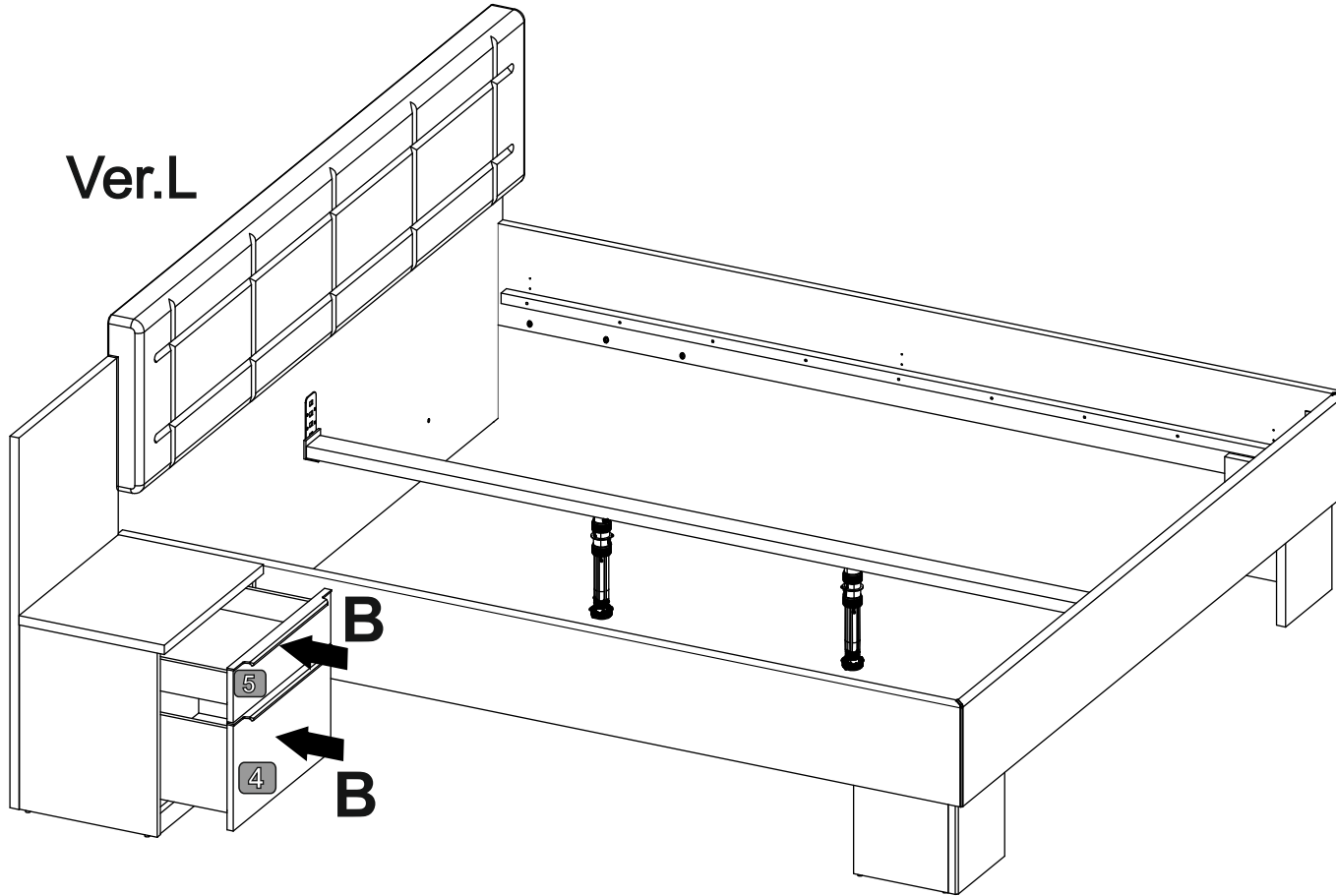
Ver.R



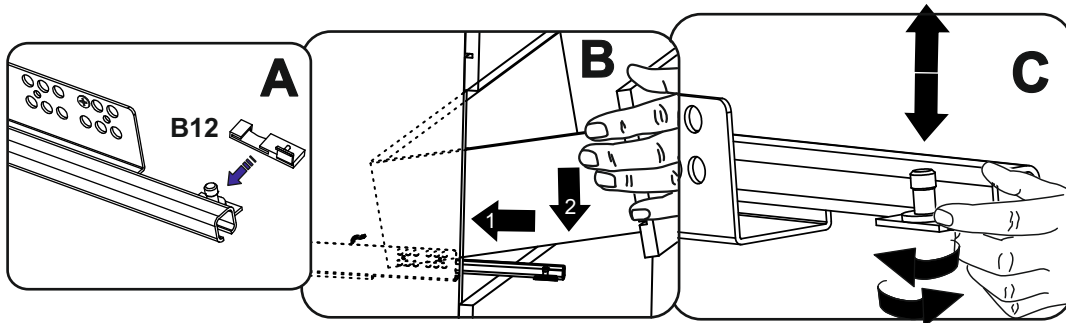
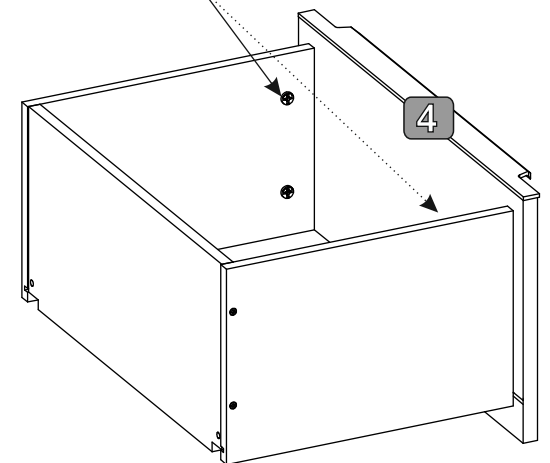
22



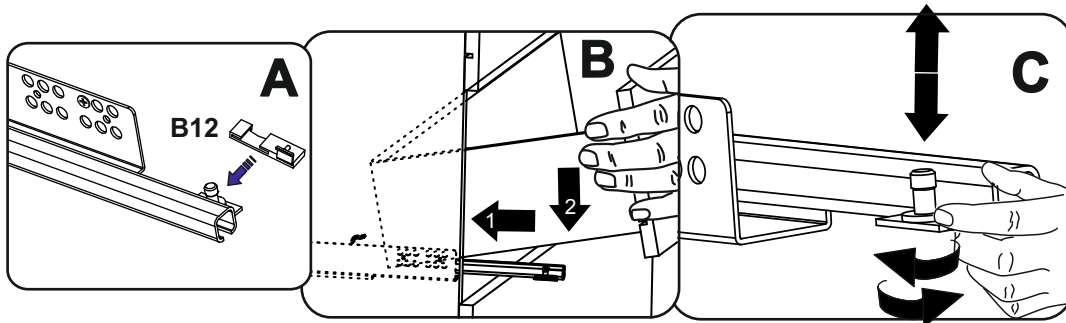
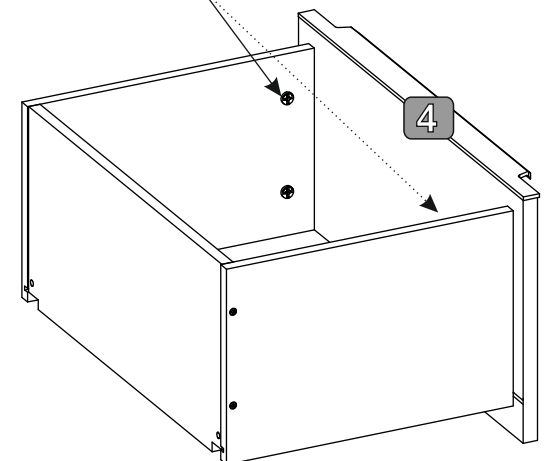
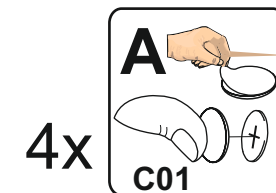
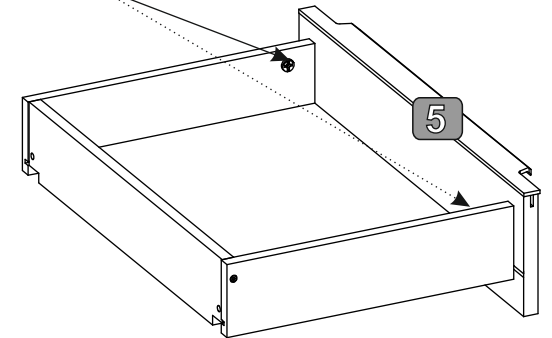
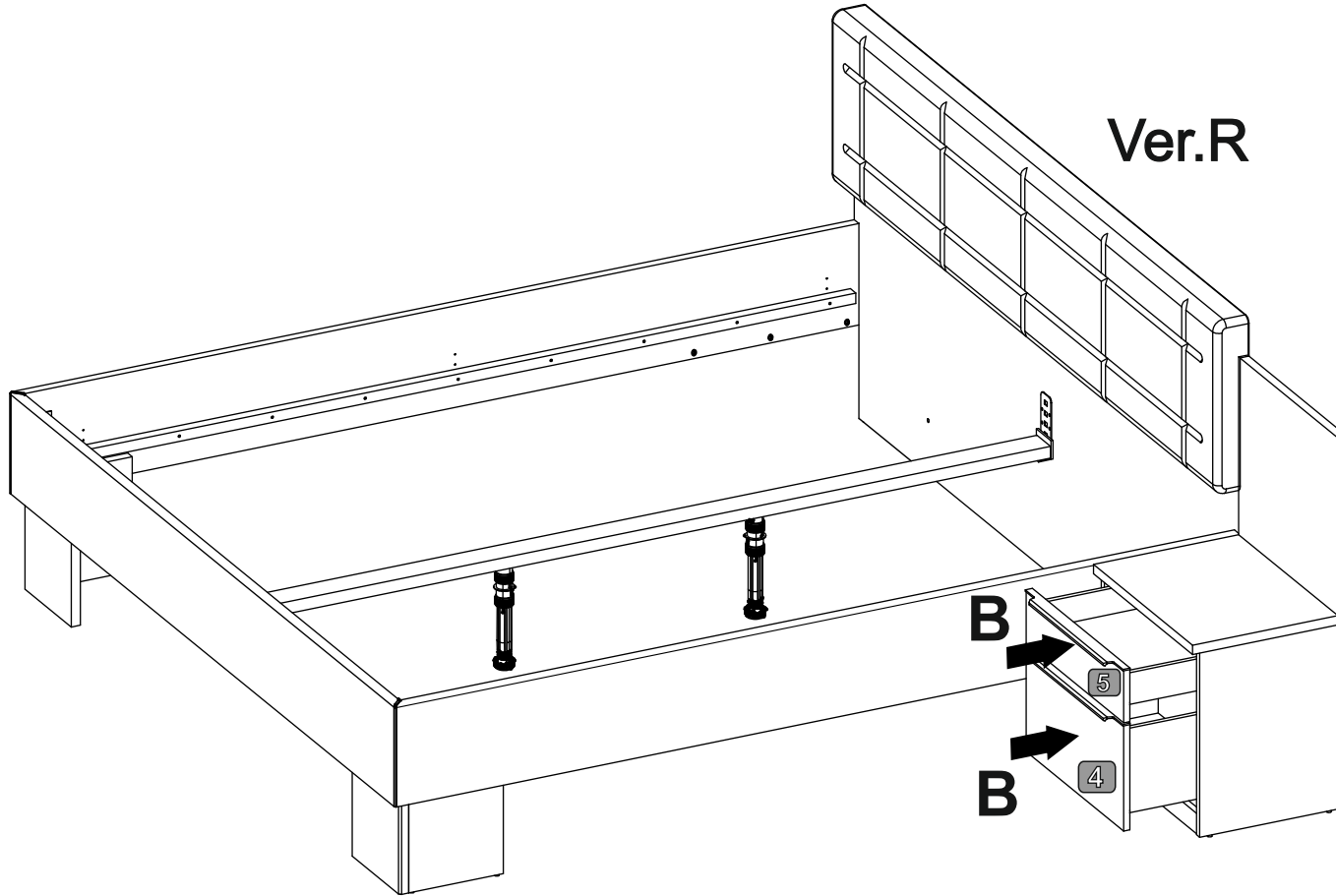
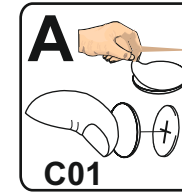
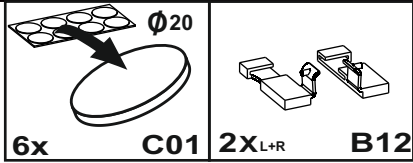
Ver.L





4x



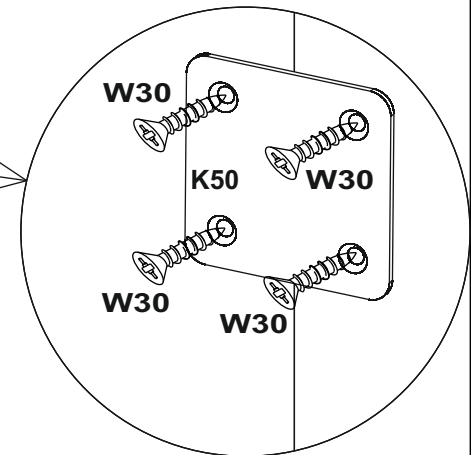
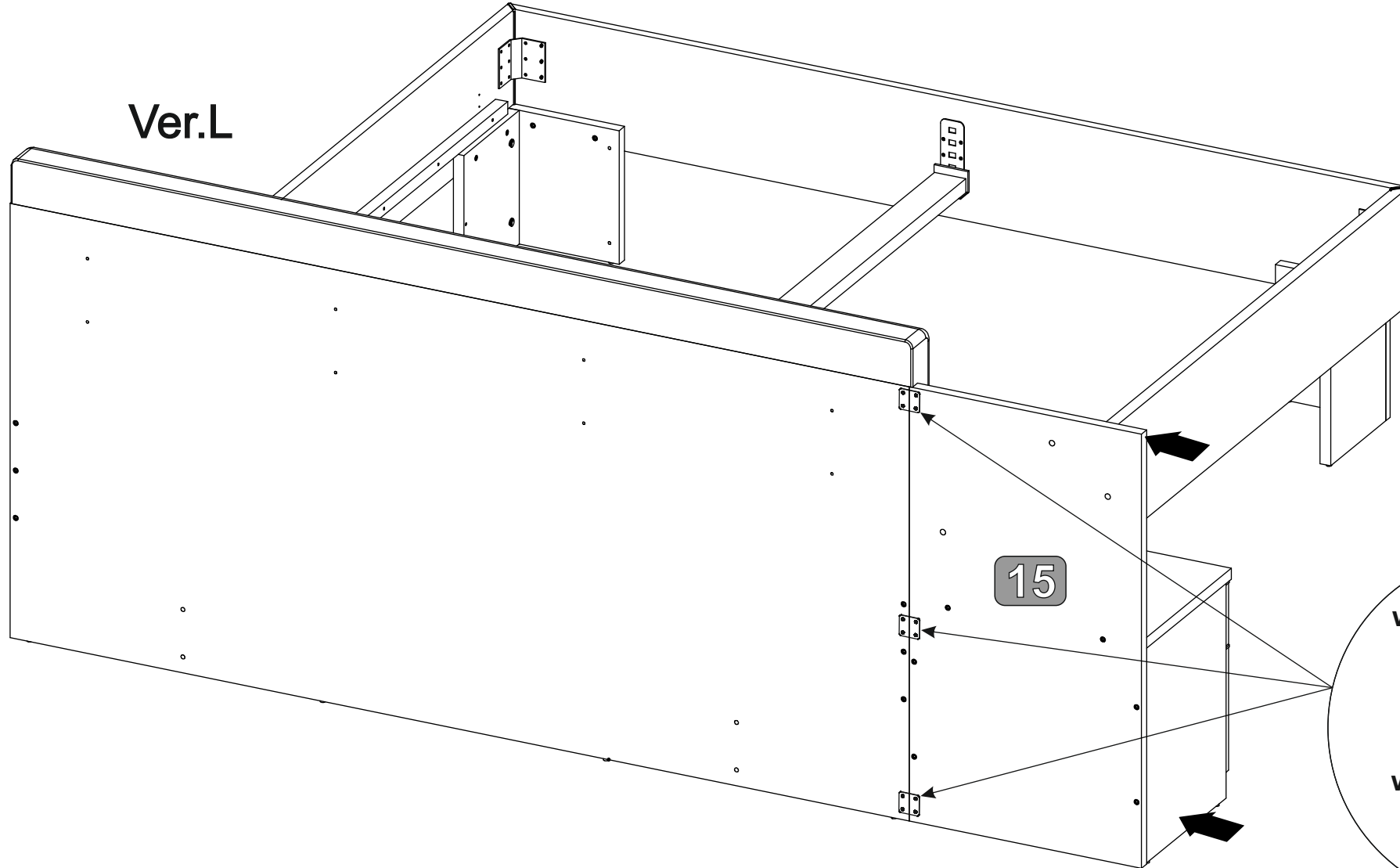
23





24

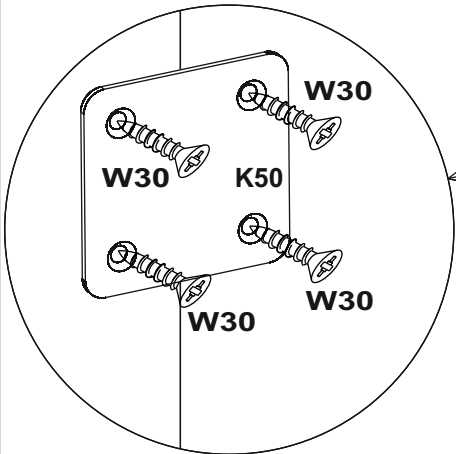
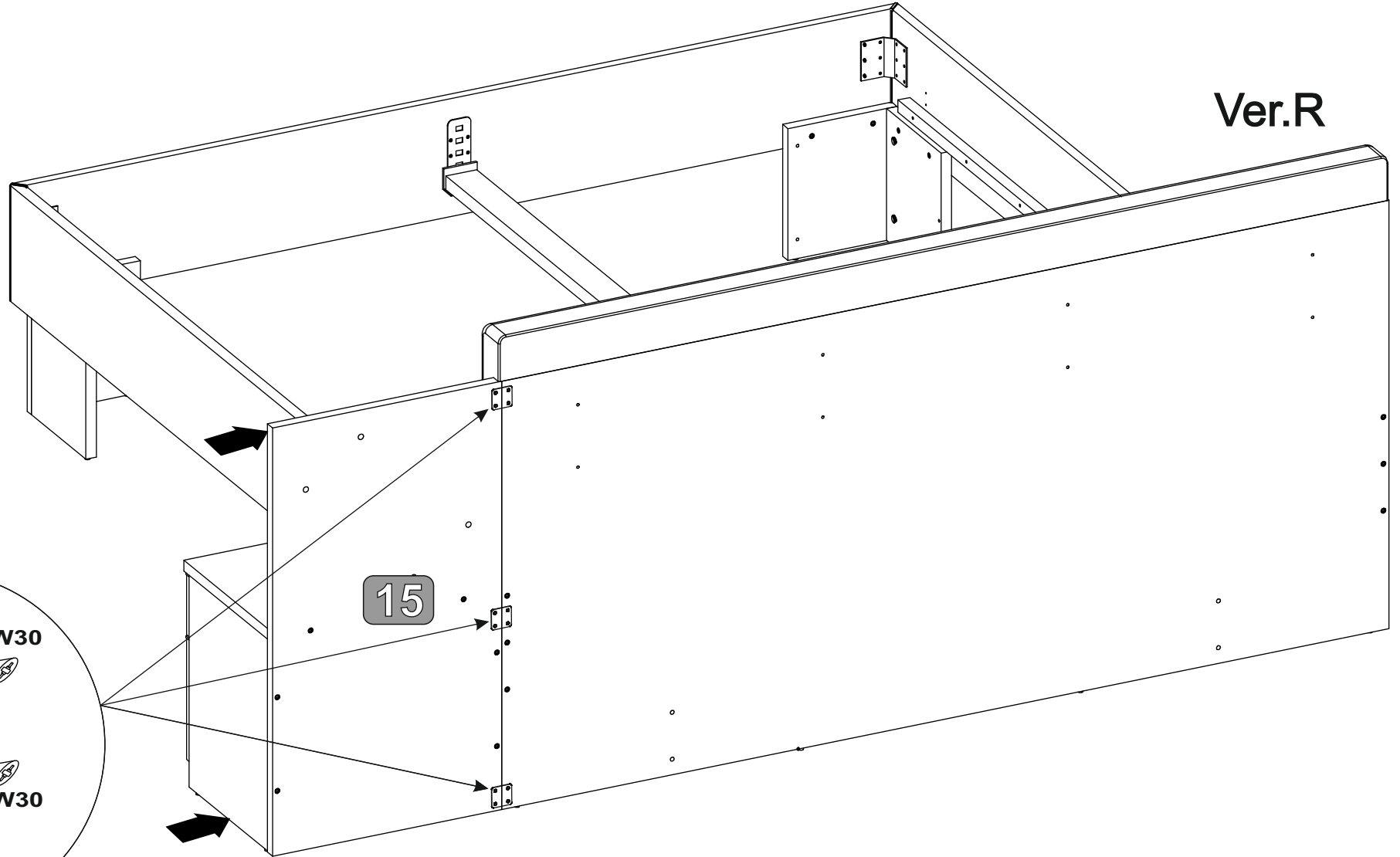
3,5x16	
	
12x	W30 3x K50

Ver.L



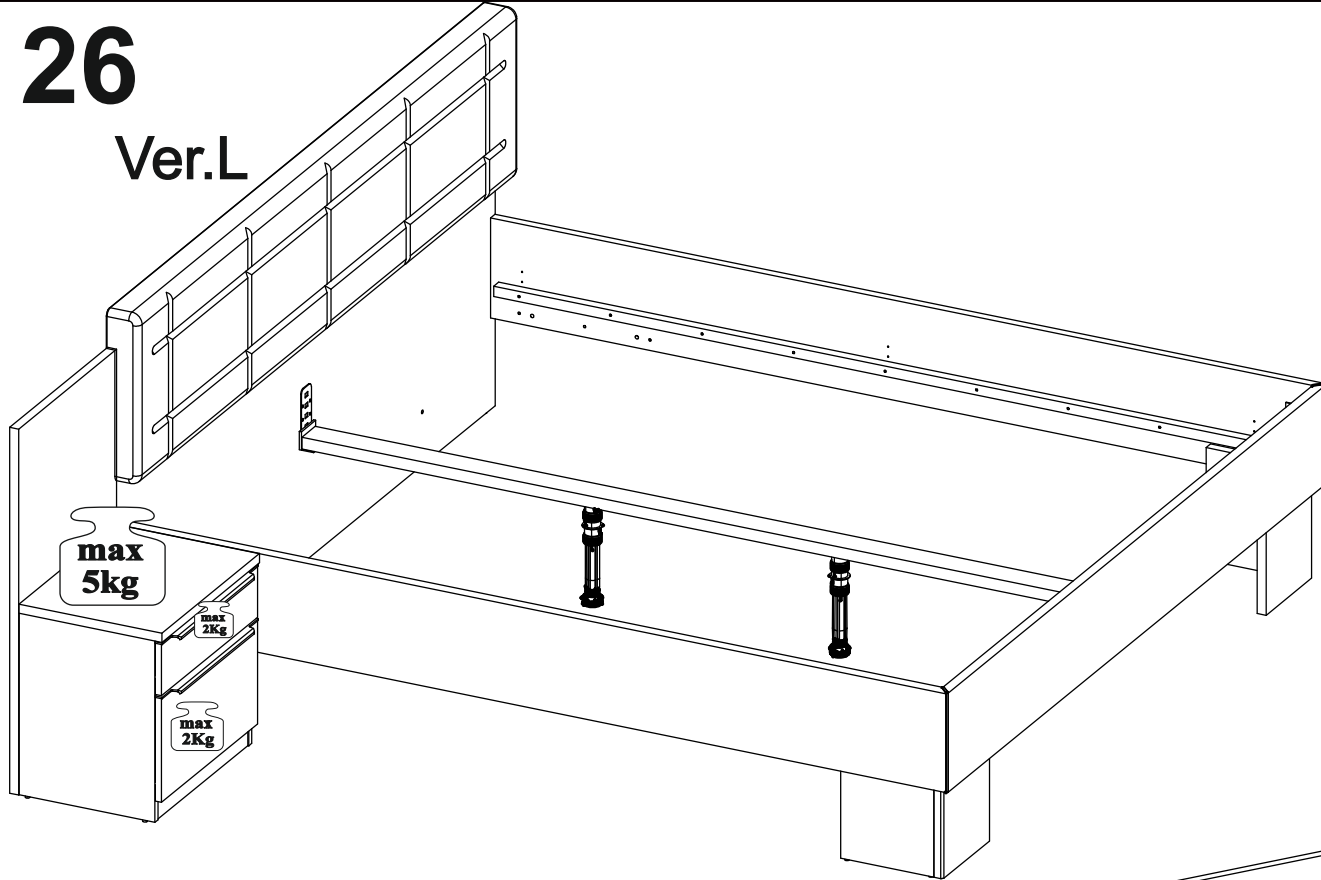
25

 3,5x16	 K50
12x W30	3x



26

Ver.L



Ver.R

