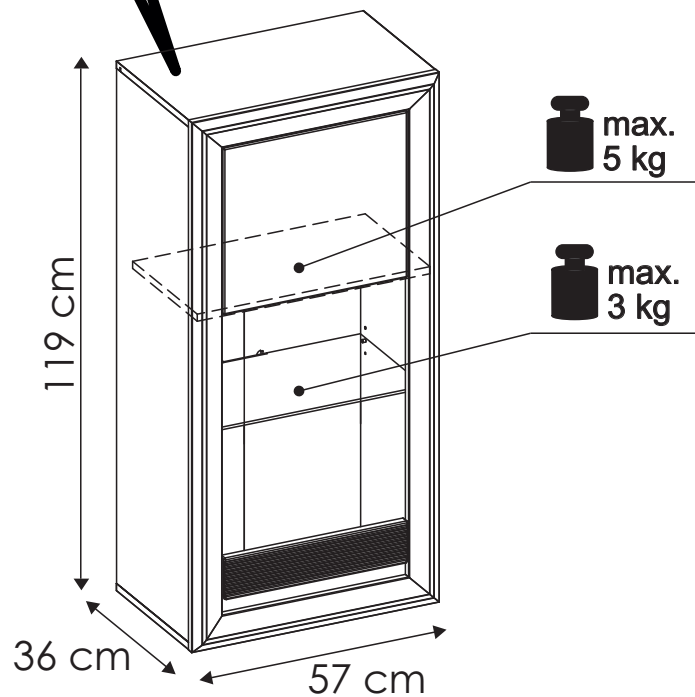
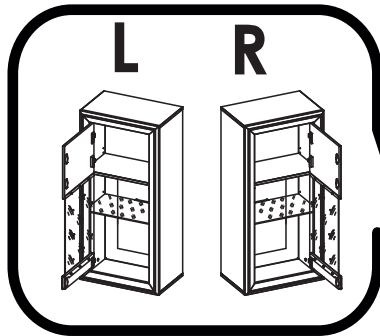


1803

KASHMIR KAV04



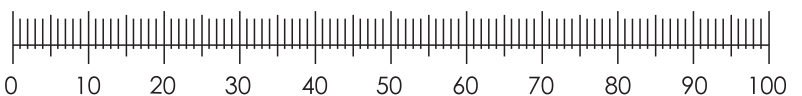
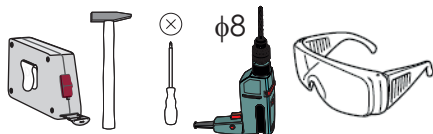
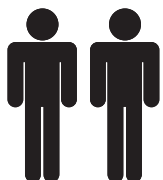
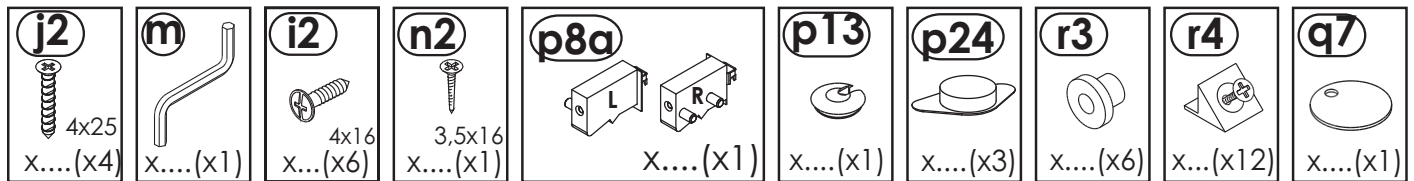
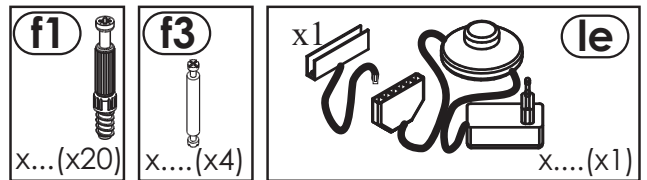
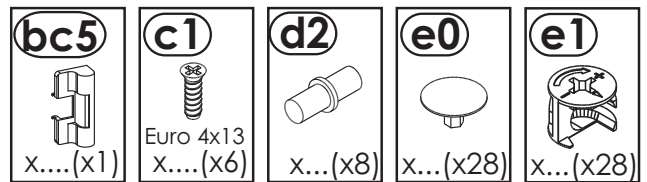
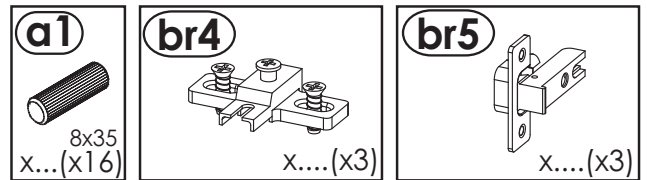
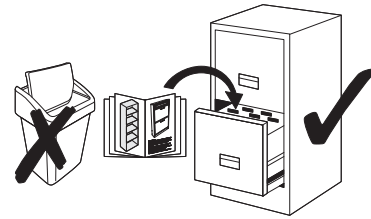
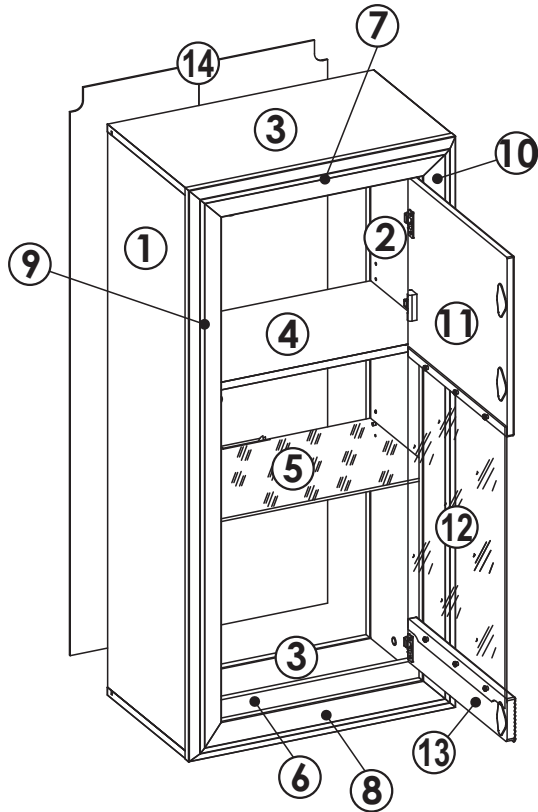
- 30 min.



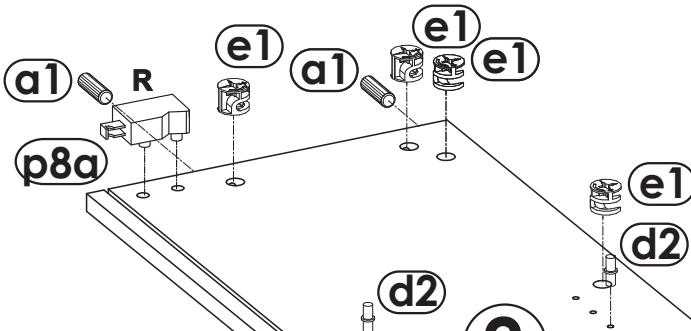
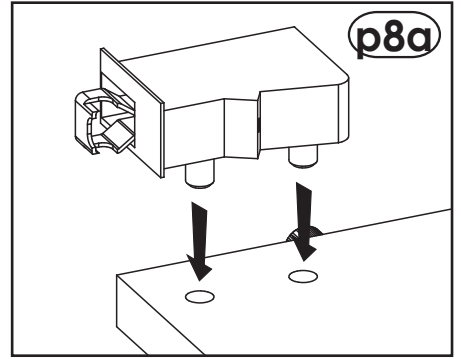
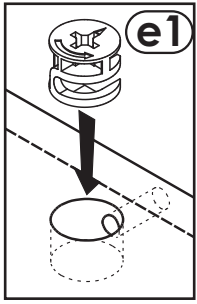
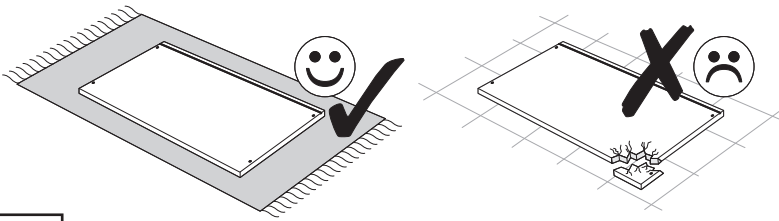
- | | | |
|--------|--------|--------|
| ① - C1 | ⑦ - C1 | ⑬ - C1 |
| ② - C1 | ⑧ - C1 | ⑭ - C1 |
| ③ - C1 | ⑨ - C1 | |
| ④ - C1 | ⑩ - C1 | |
| ⑤ - C1 | ⑪ - C1 | |
| ⑥ - C1 | ⑫ - C1 | |



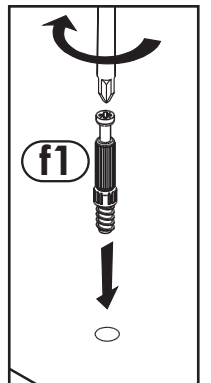
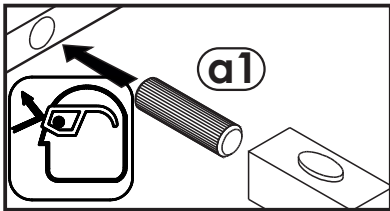
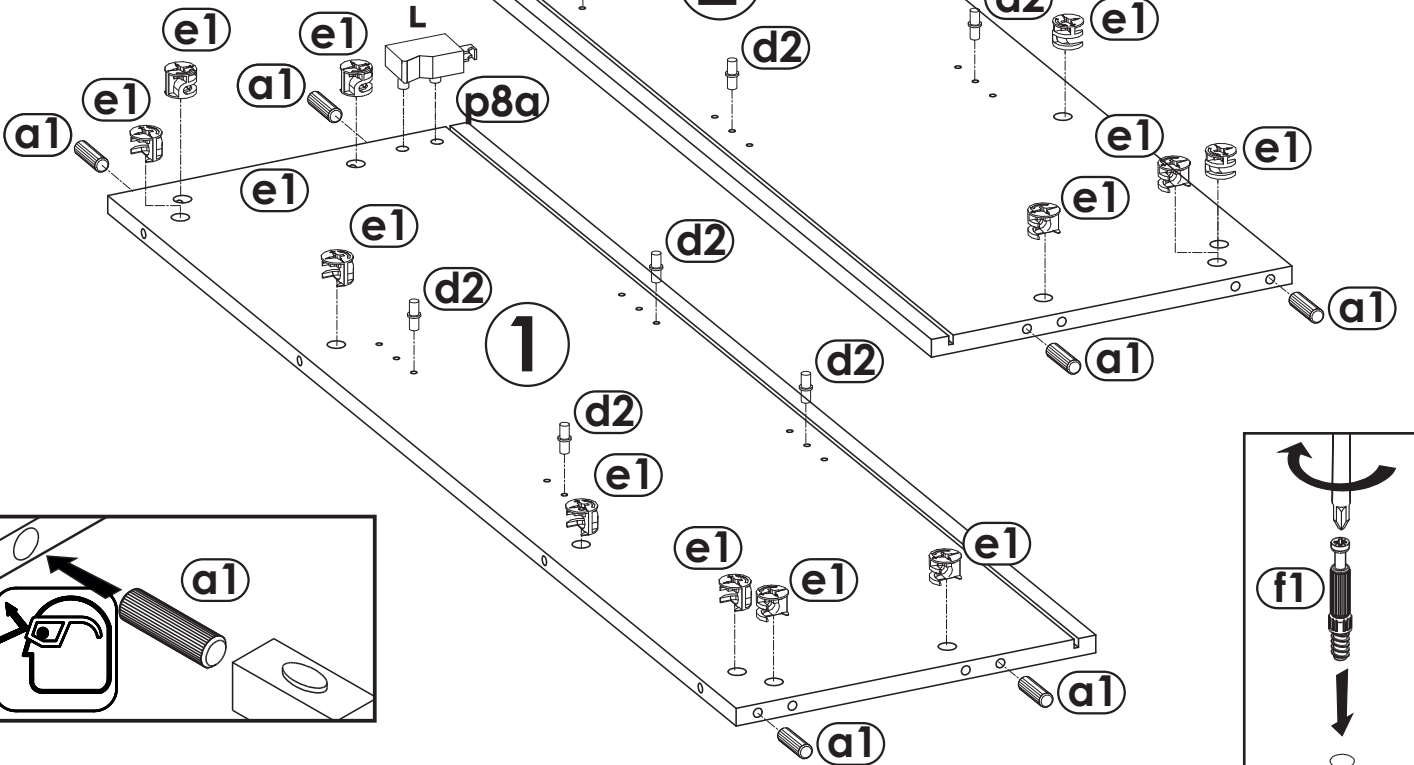
KASHMIR KAV04



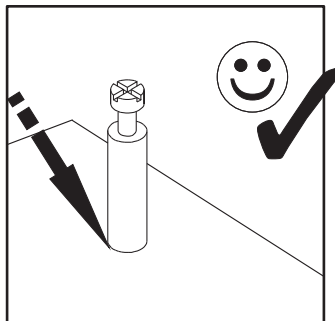
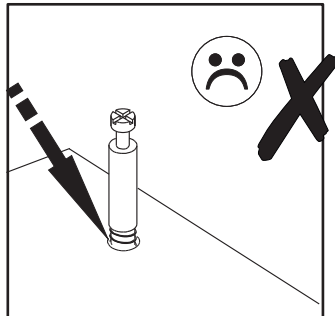
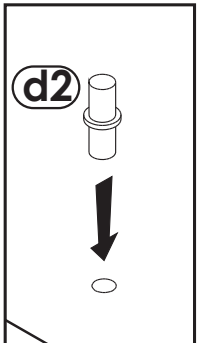
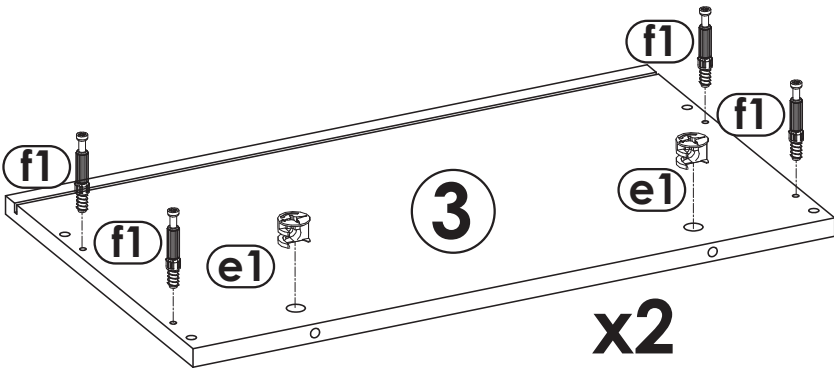
1



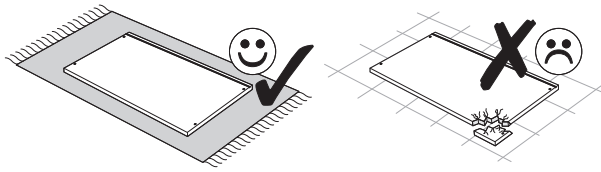
2



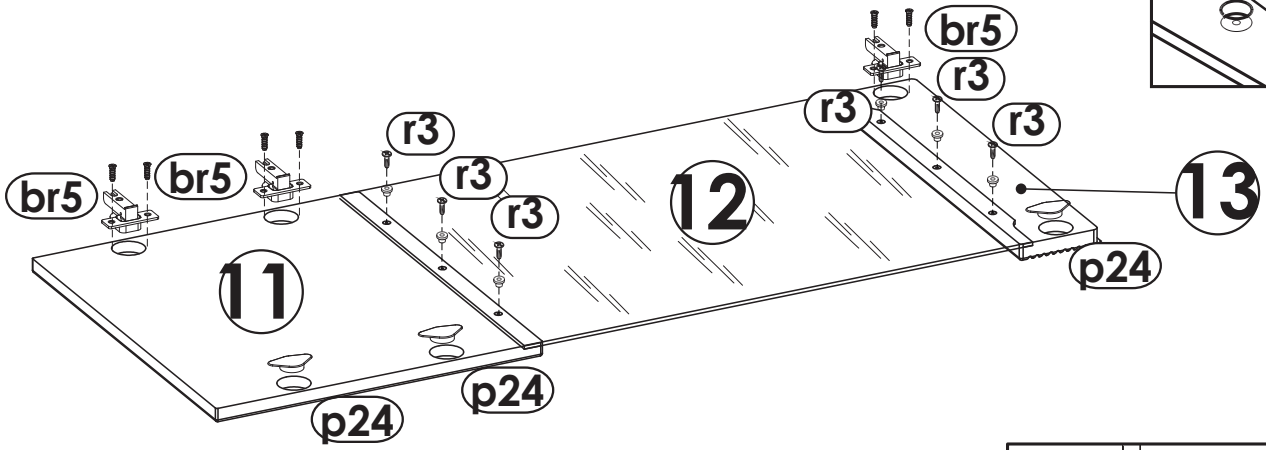
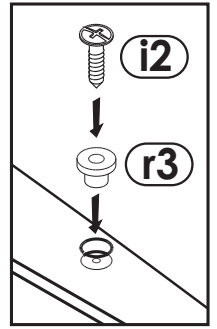
3



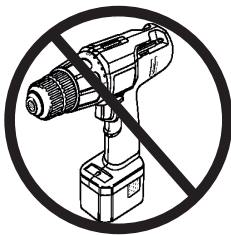
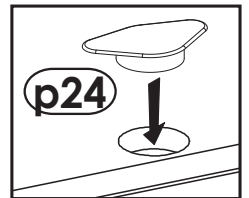
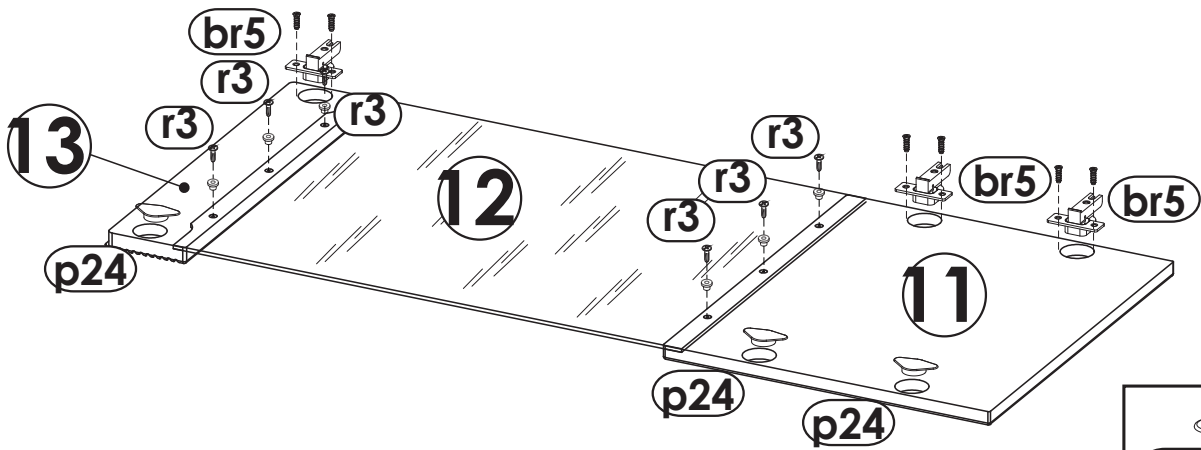
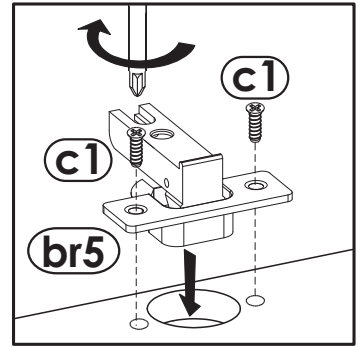
2
▼



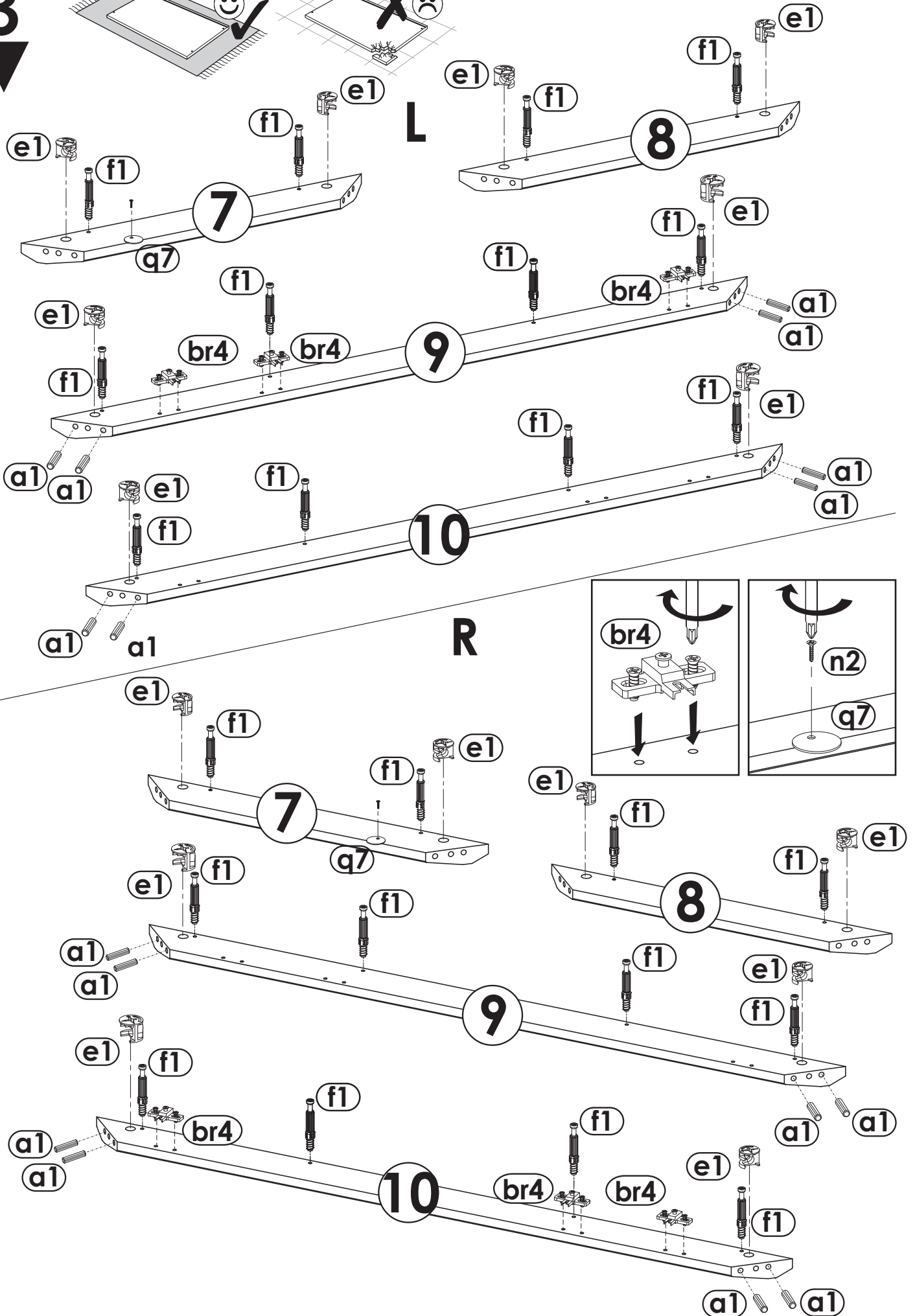
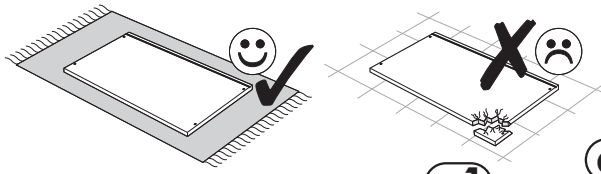
L



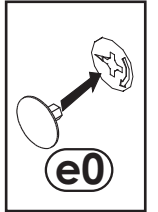
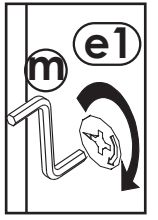
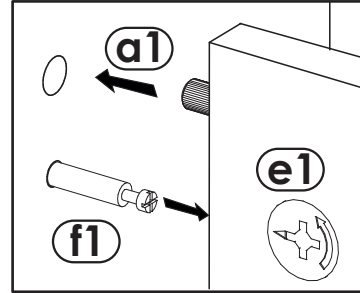
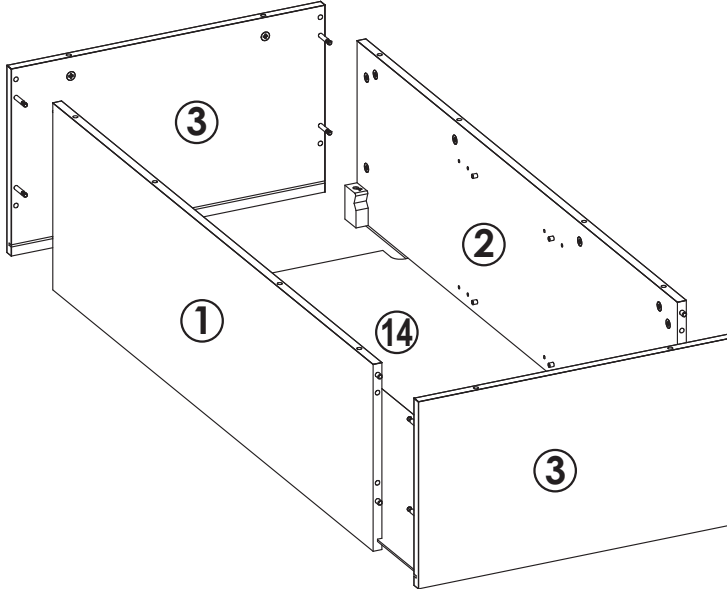
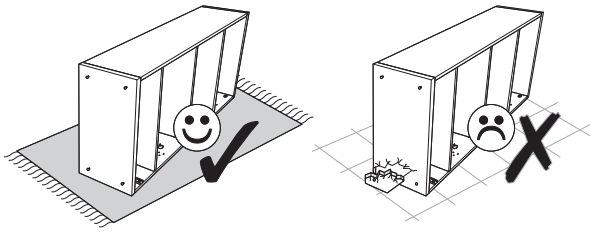
R



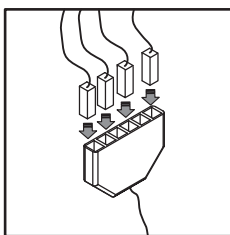
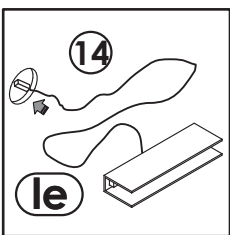
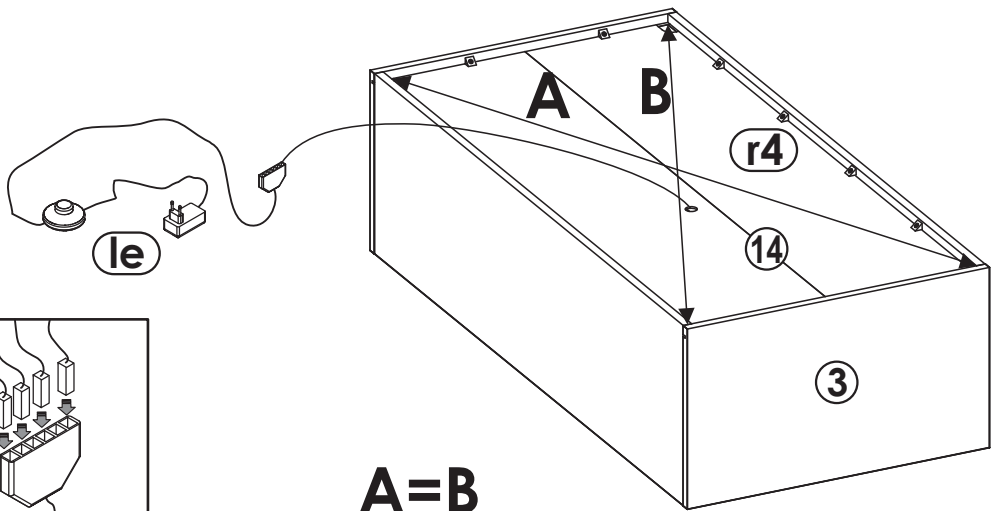
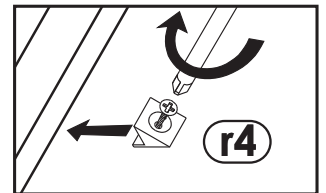
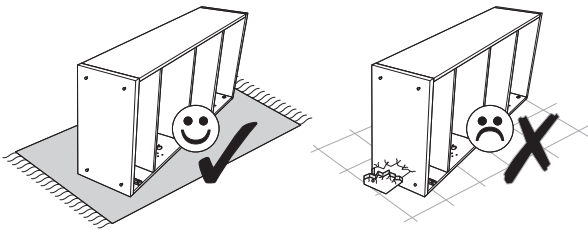
3
▼



4
▼

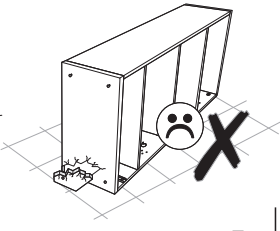
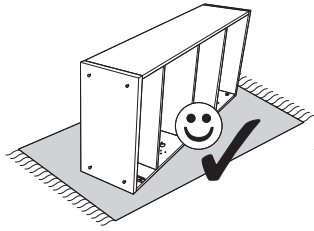


5
▼

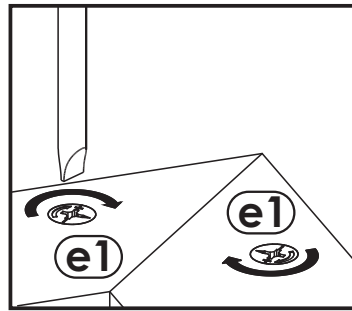
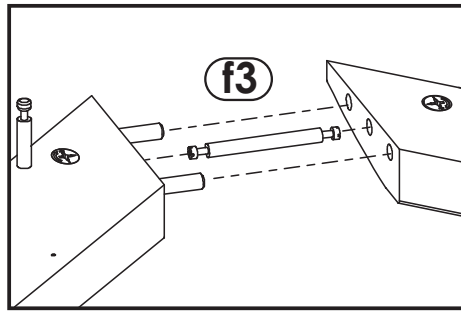
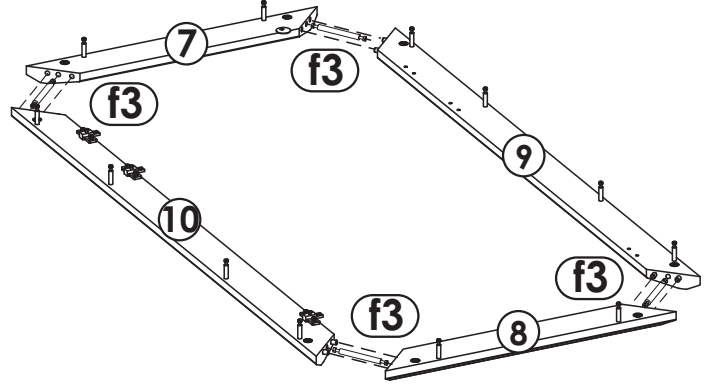
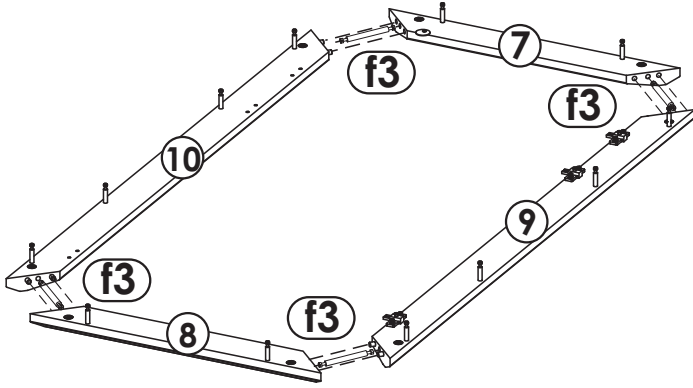


A=B

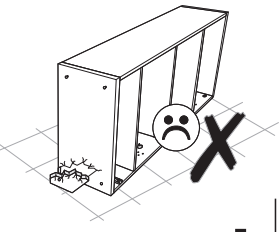
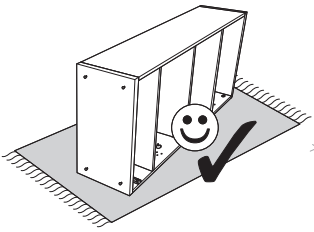
6
▼



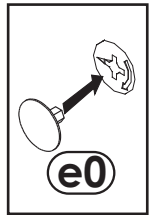
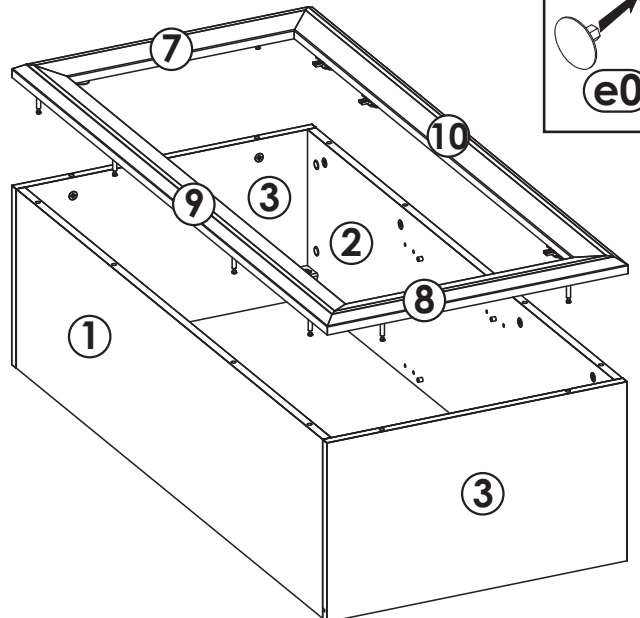
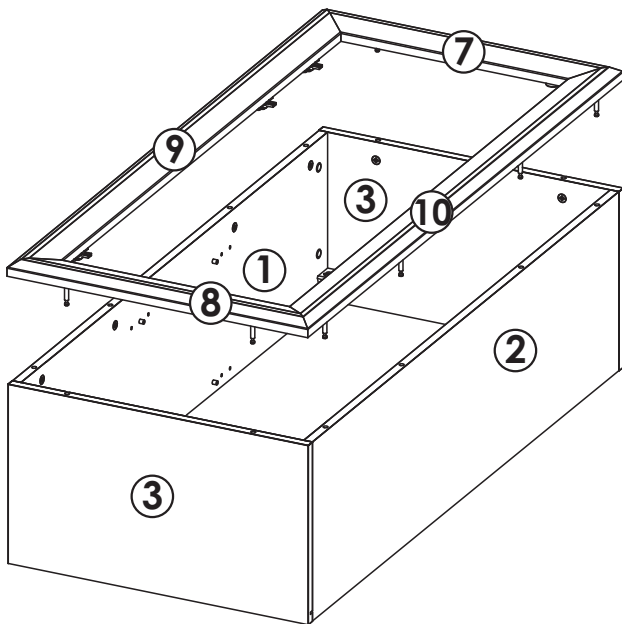
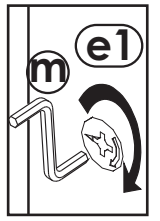
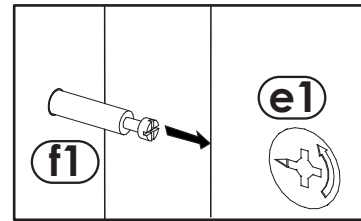
L R



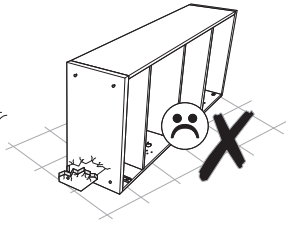
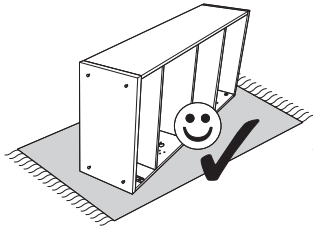
7
▼



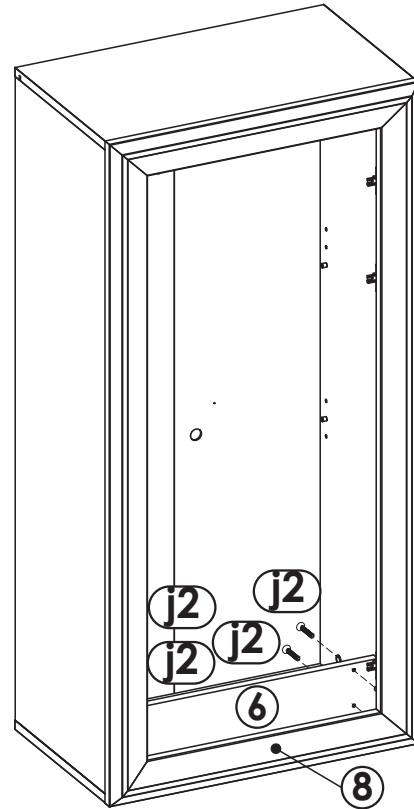
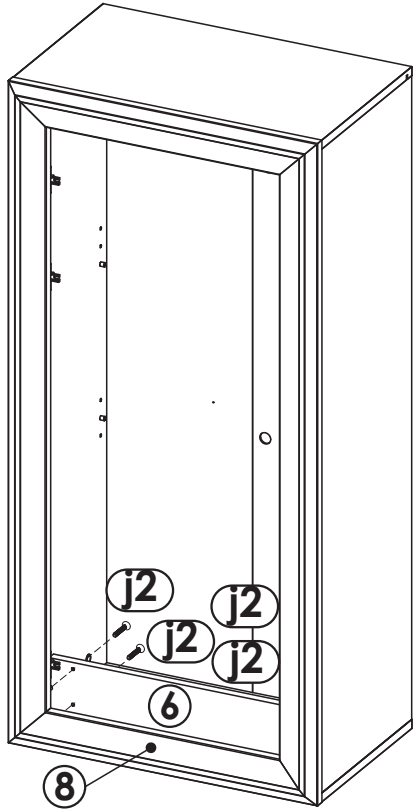
L R



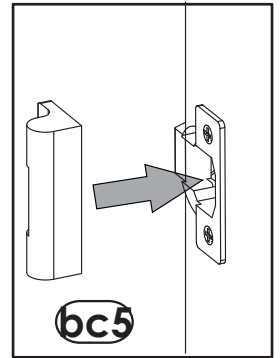
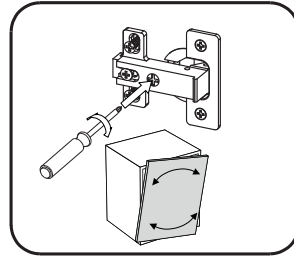
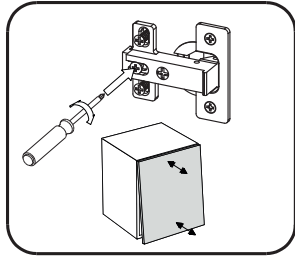
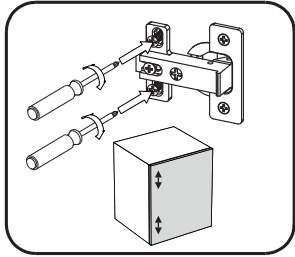
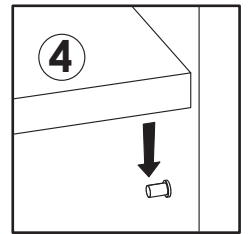
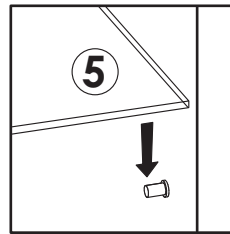
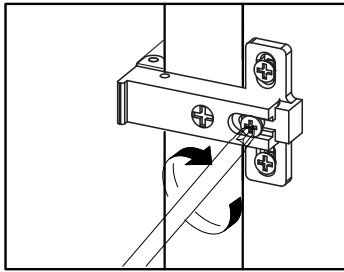
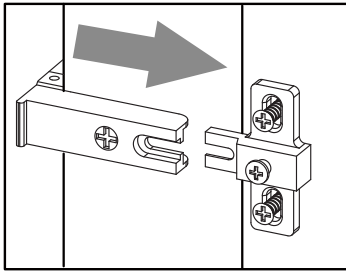
8
▼



L R



9



LR

