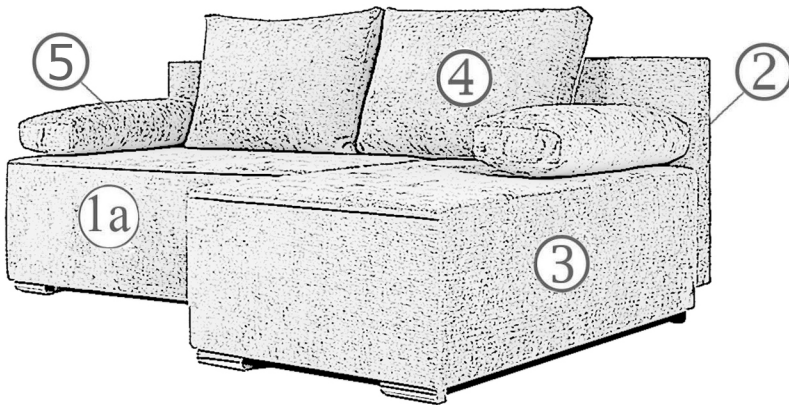


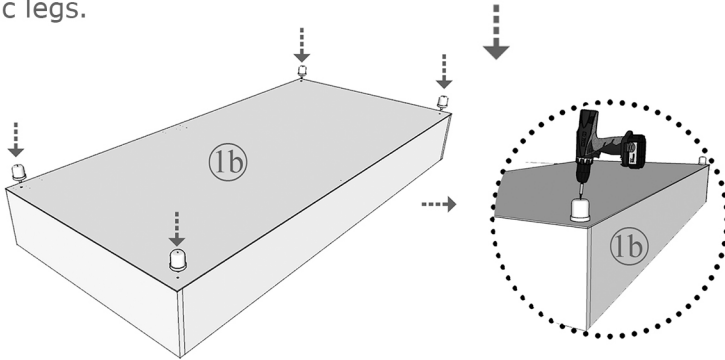
Assembly instruction – Corner set



- 1a. Seat
- 1b. Bed linen box
- 2. Backrest
- 3. Chaise longue with small backrest
- 4. Large pillow x 2
- 5. Small pillow x 2

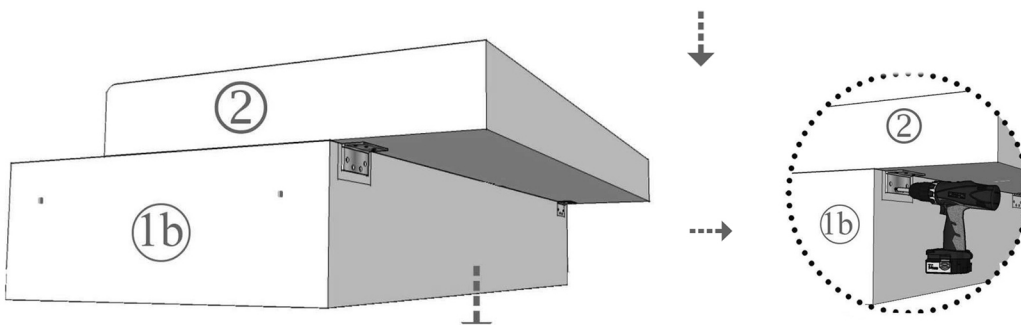
Step 1a.

Put bed linen box 1b with its floor up and position four plastic legs in the corners. Connect legs with floor using screws. When the legs are mounted, turn box 1b so that it stands on plastic legs.

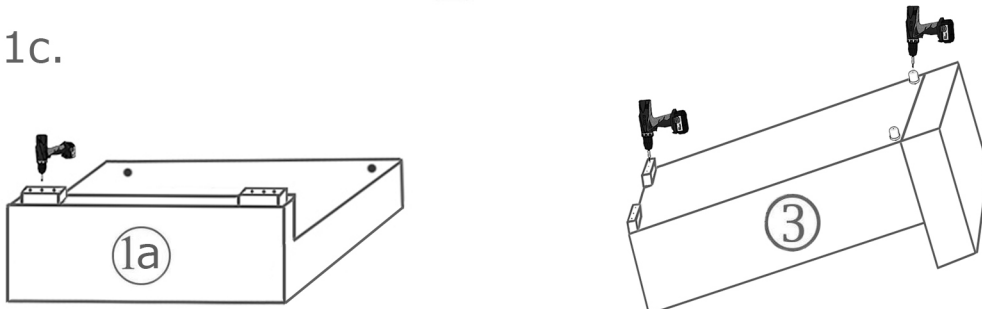


Step 1b.

Put backrest horizontally over bed linen box. Position hinges in place where labels are and connect backrest and bed linen box by screwing through the holes on hinges.



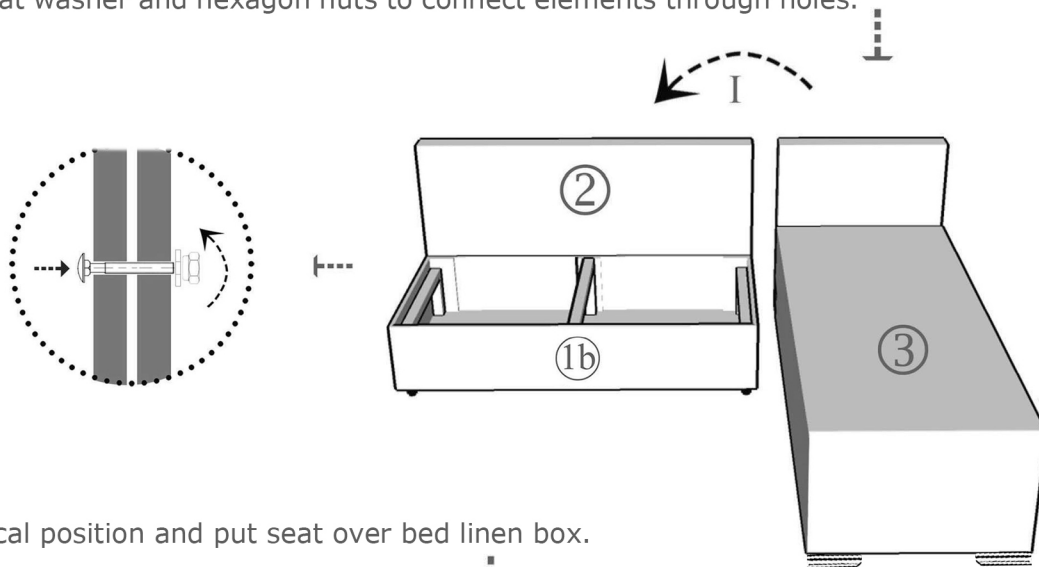
Step 1c.



Step 2.

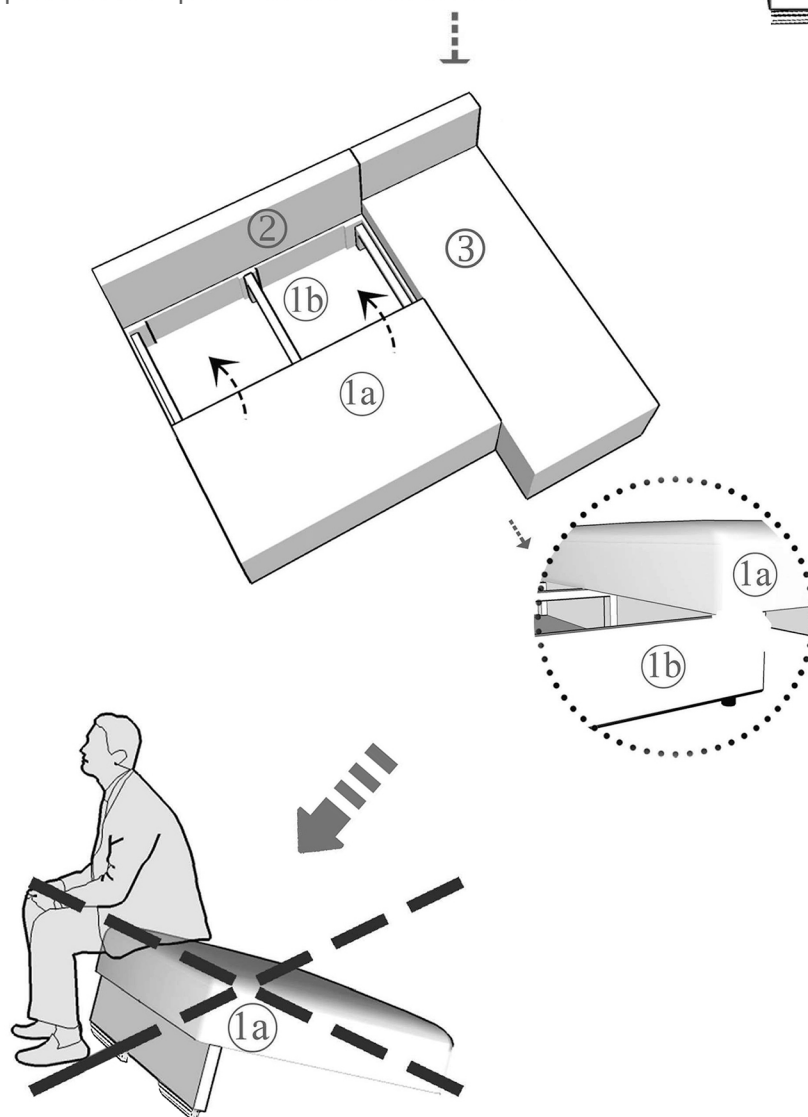
Connect corner set elements according to order in the instruction drawing I.

Use carriage bolts, flat washer and hexagon nuts to connect elements through holes.



Step 3.

Put backrest in vertical position and put seat over bed linen box.



Warning !!!

Do not seat or put any pressure on sitting element while it's not positioned on bed linen box.