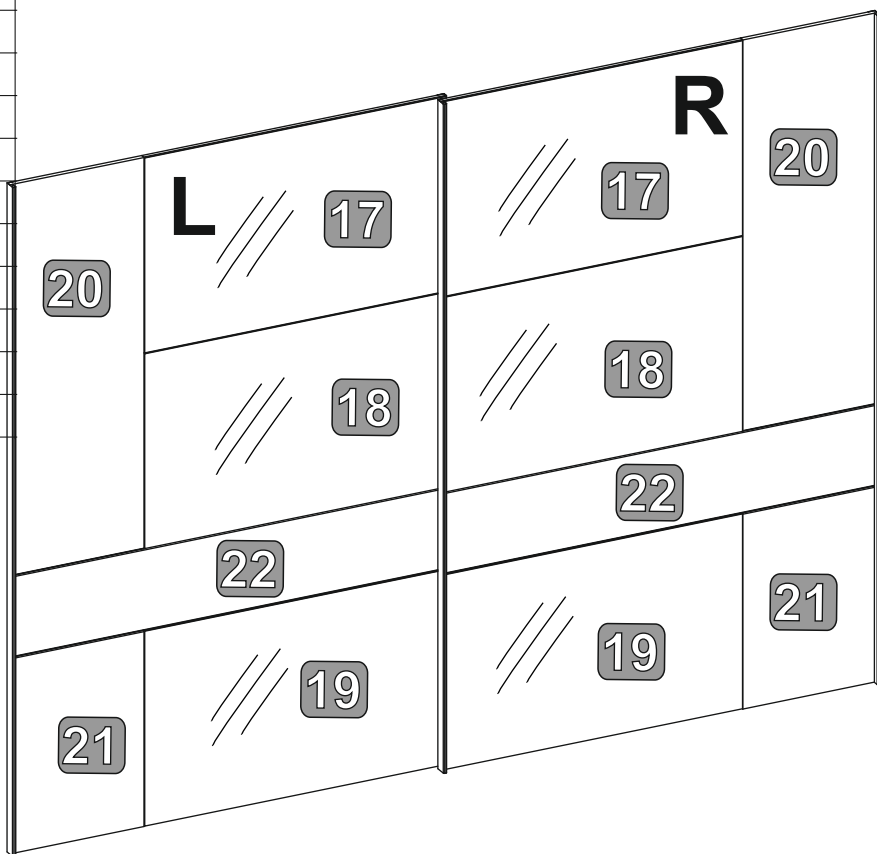
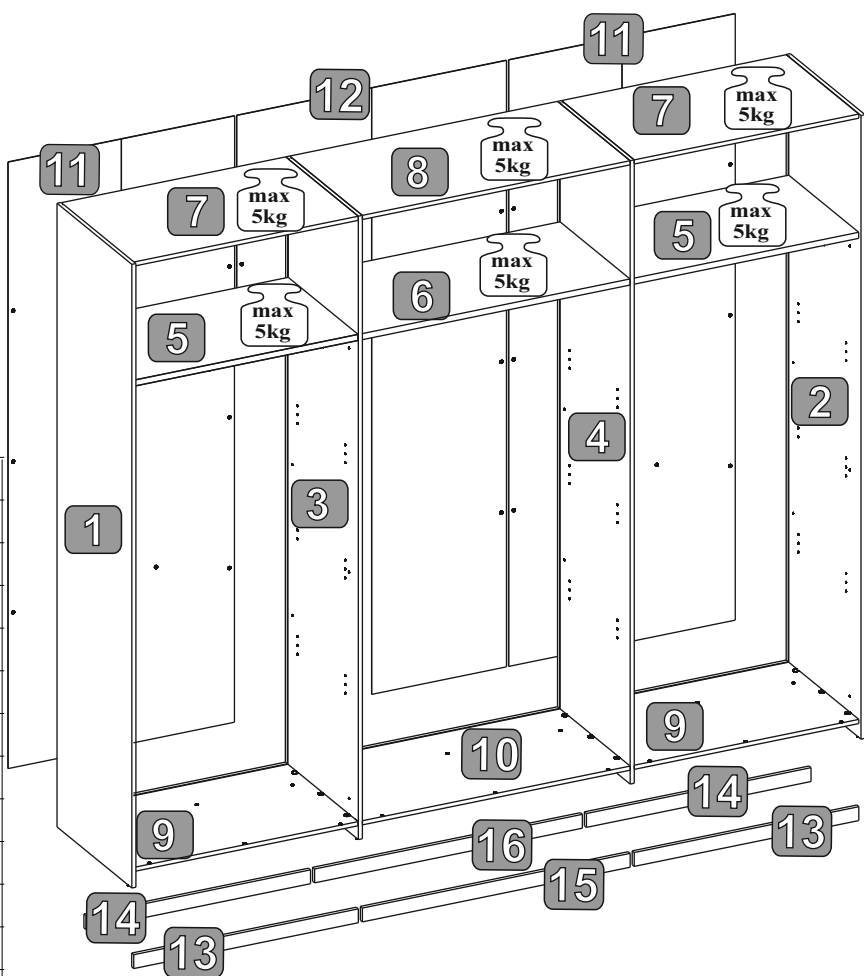
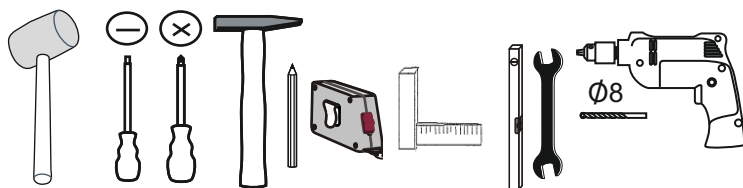
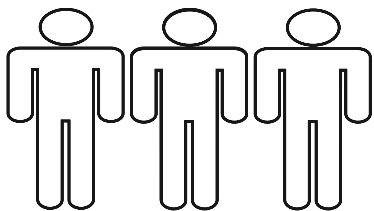





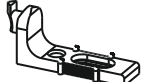




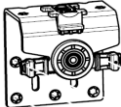
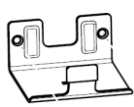
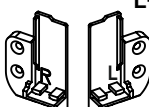
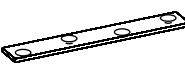
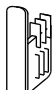







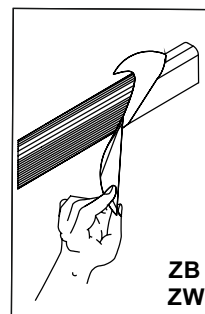
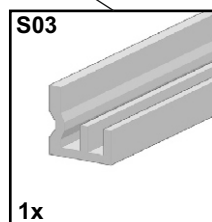
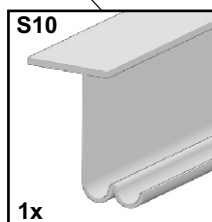
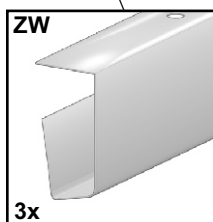
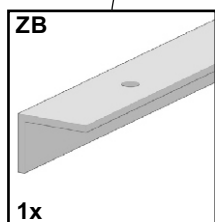
NR	DIM	QTE	COLLI
1	2095x551x15	1	2/7
2	2095x580x15	1	2/7
3	2094x535x15	1	3/7
4	2094x535x15	1	3/7
5	827x515x22	2	5;6/7
6	986x515x22	1	1/7
7	827x535x15	2	1/7
8	986x535x15	1	3/7
9	827x535x15	2	1/7
10	986x535x15	1	3/7
11	2033x834x2	2	2/7
12	2033x993x2	1	2/7
13	827x50x15	2	1/7
14	827x50x15	2	1/7
15	986x50x15	1	1/7
16	986x50x15	1	1/7
17	945x600x16	2	5;6/7
18	945x600x16	2	5;6/7
19	945x600x16	2	5;6/7
20	1200x420x15	2	4/7
21	600x420x15	2	4/7
22	1365x250x15	2	4/7





 48x T05	 48x T04	 1x K01	 18x W16	 18x C02	 24x R02	 24x W20
 20x S01	 6x E03	 2x J02	 1x J01	 269x W02	 28x W12	 13x W05
 2x P-10	 2x P-07	 1x P-09	 1x P-08	 2x P-06	 1x G-02	 2x F-02
 22x W08	 10x B03	 6x ZA2	 2x P01	 4x W07	 2x F01	 2x F11
 1x Sz1						

NR	DIM	QTE	COLLI
ZW	L-2050	3	7/7
ZB	L-2050	1	7/7
S10	L-2668	1	7/7
S03	L-2668	1	7/7



0 10 20 30 40 50 60 70 80 90 100



# 1

6x

S01

32x

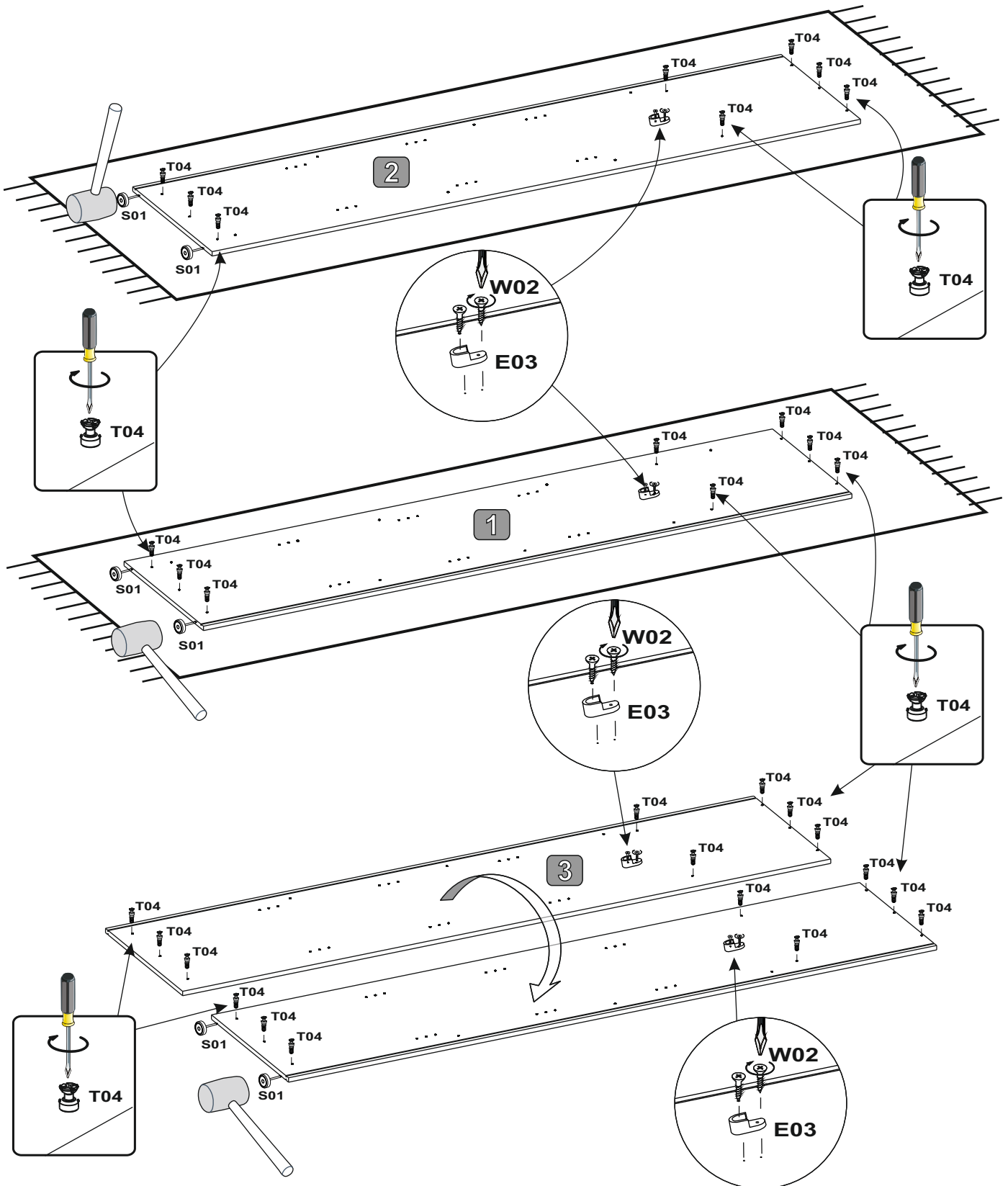
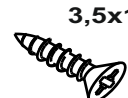
T04

8x

W02

4x

E03



## 2

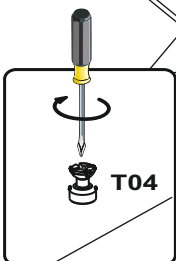
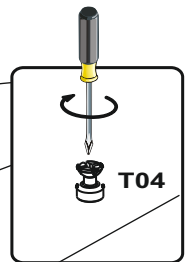
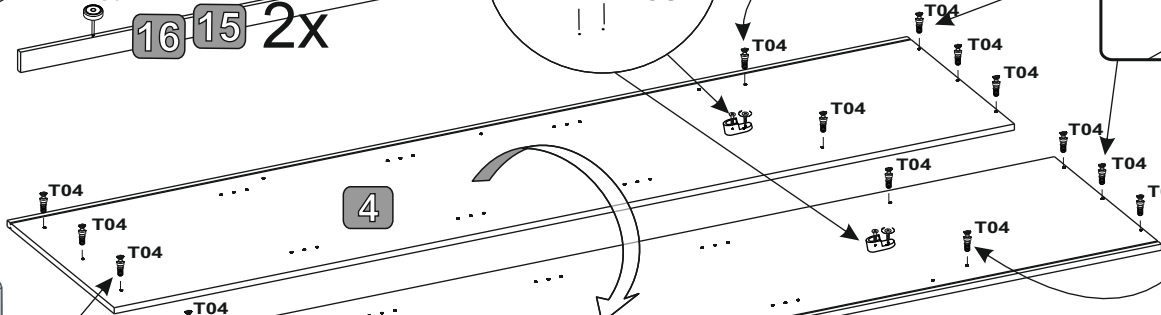
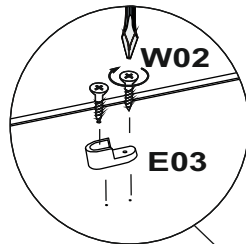
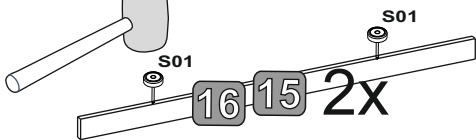
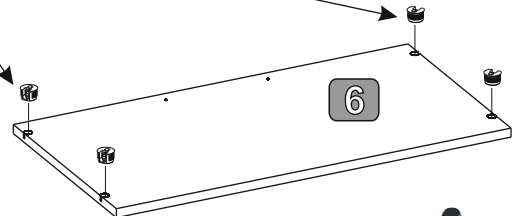
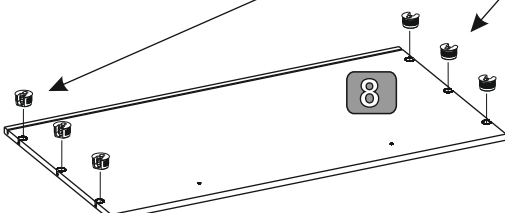
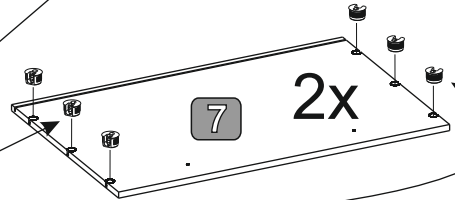
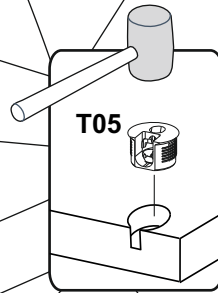
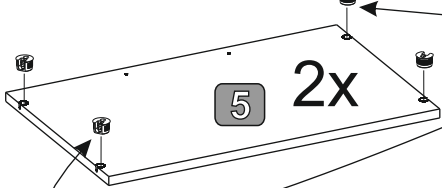
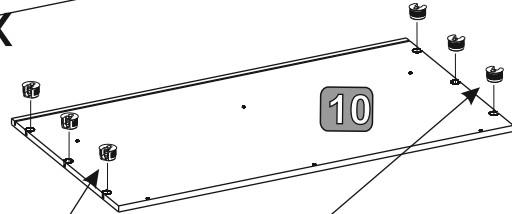
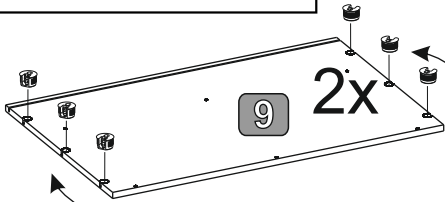
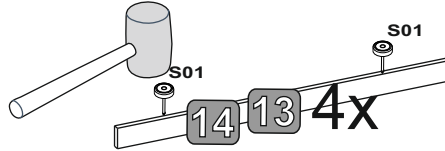
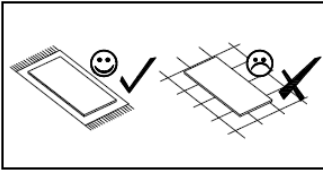
3,5x13  
4x W02

2x E03

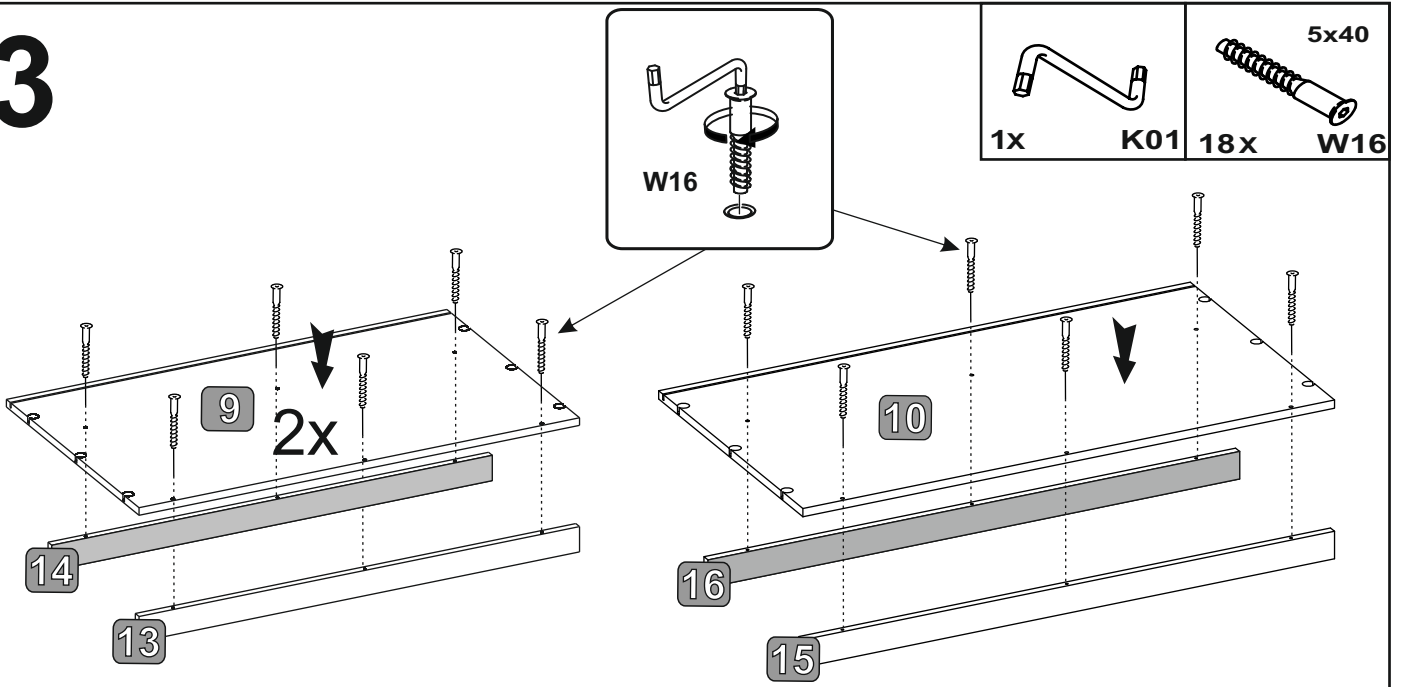
14x S01

48x T05

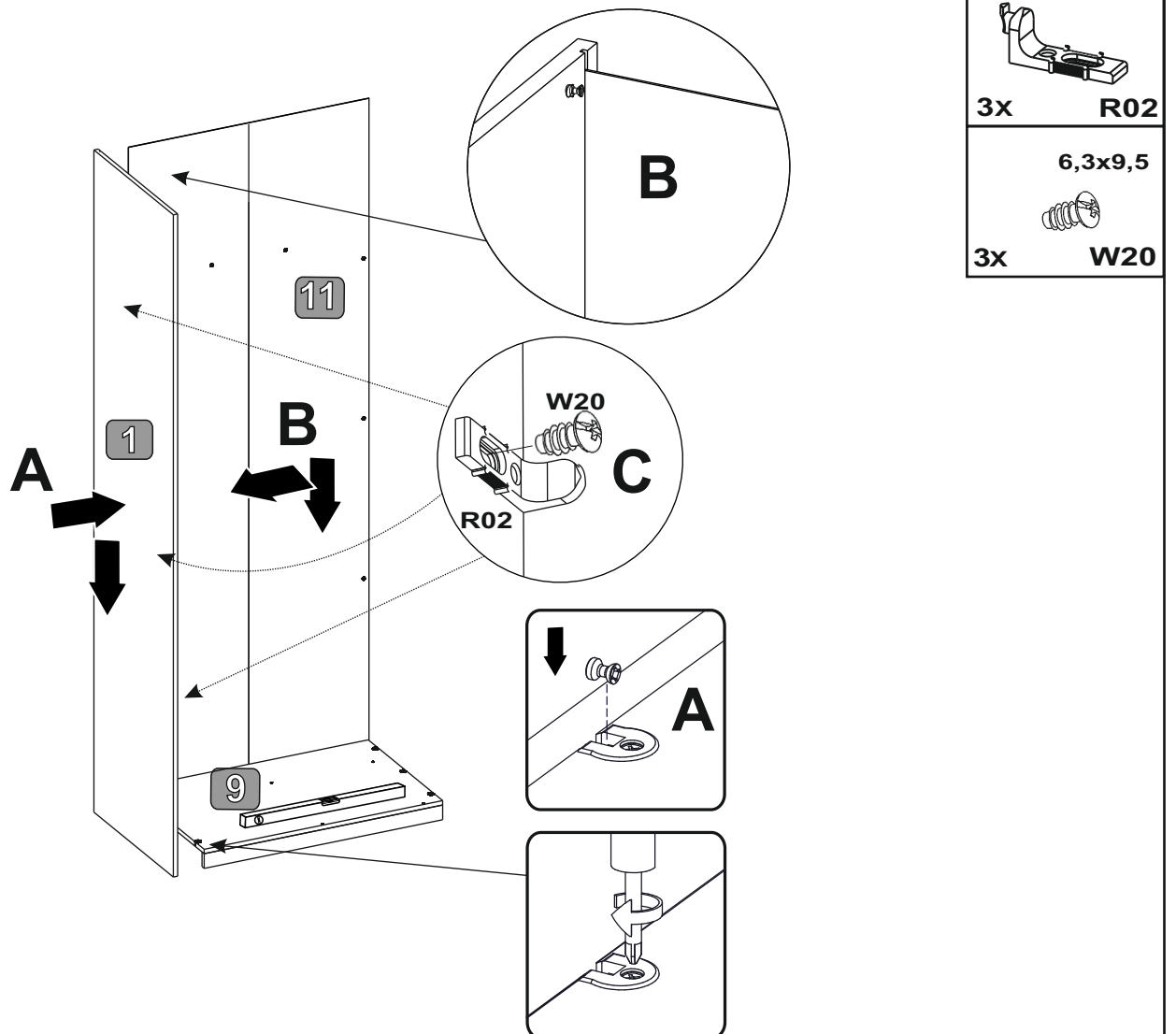
16x T04



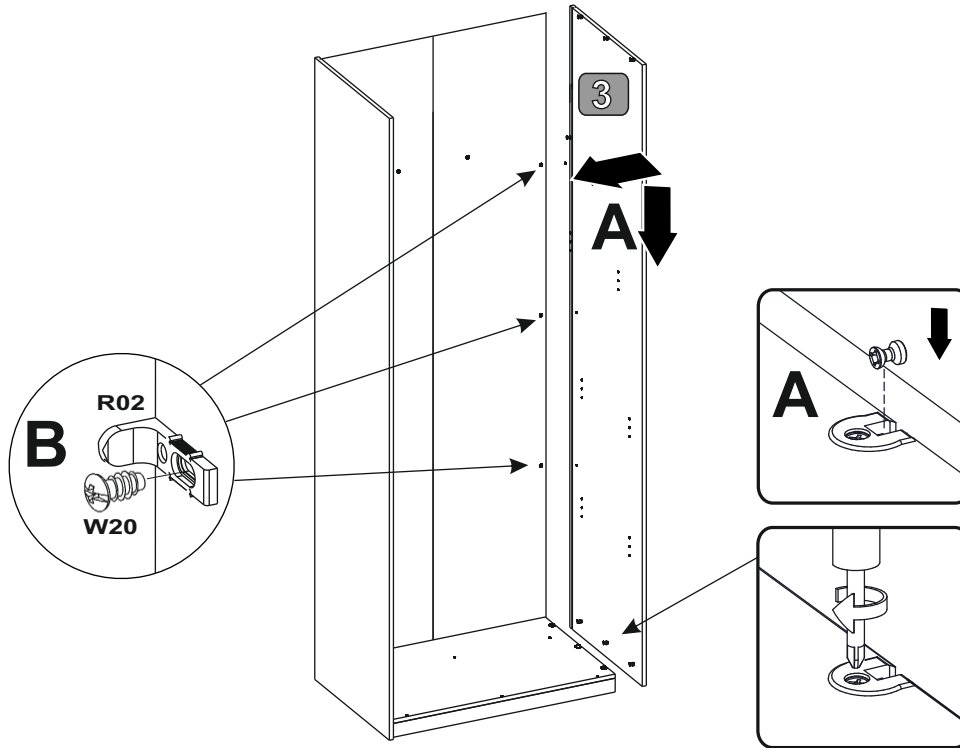
3

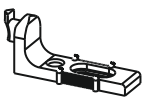



4

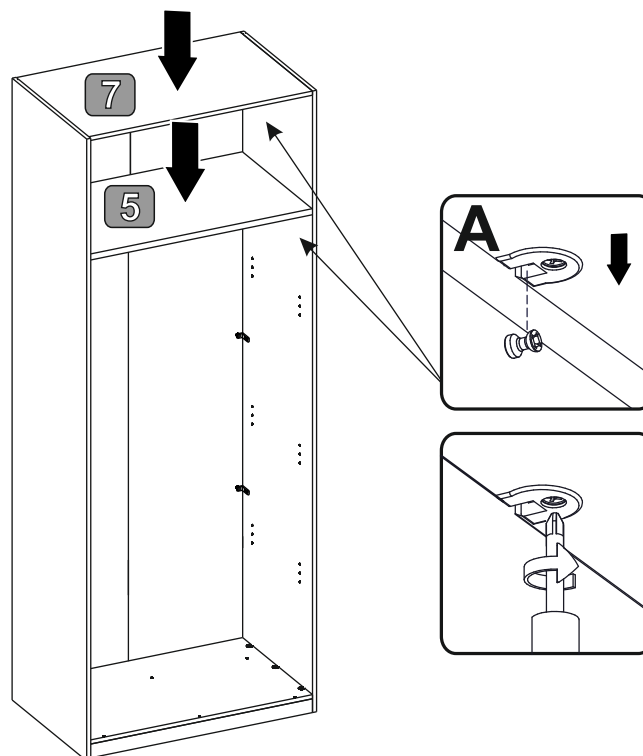


5

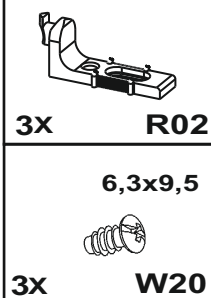
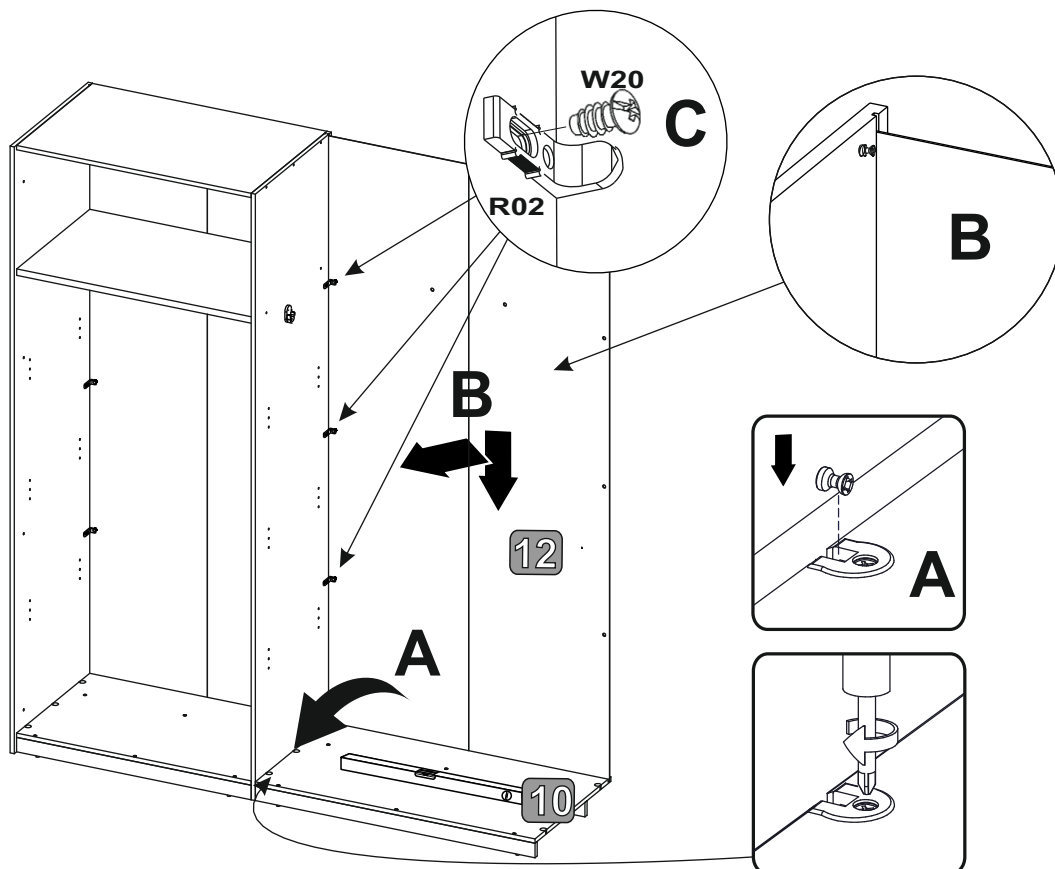


	
3x	R02
6,3x9,5	
	
3x	W20

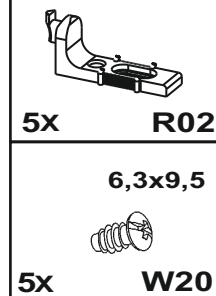
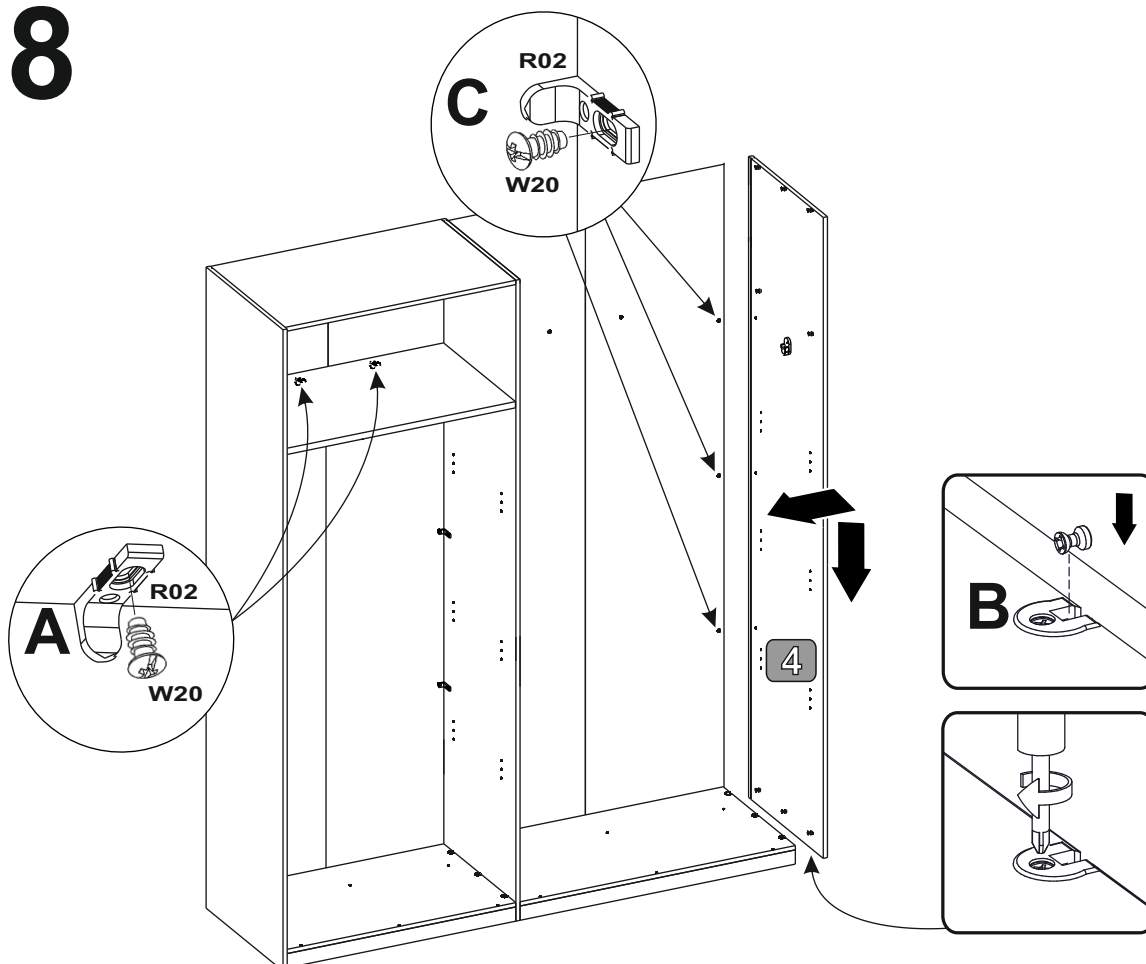
6



## 7

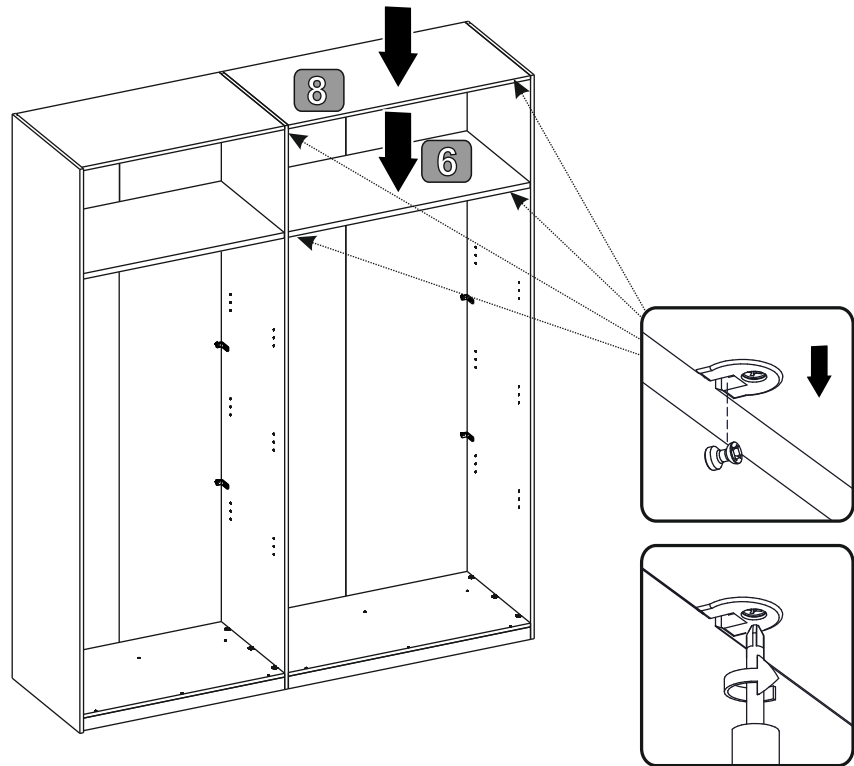


## 8

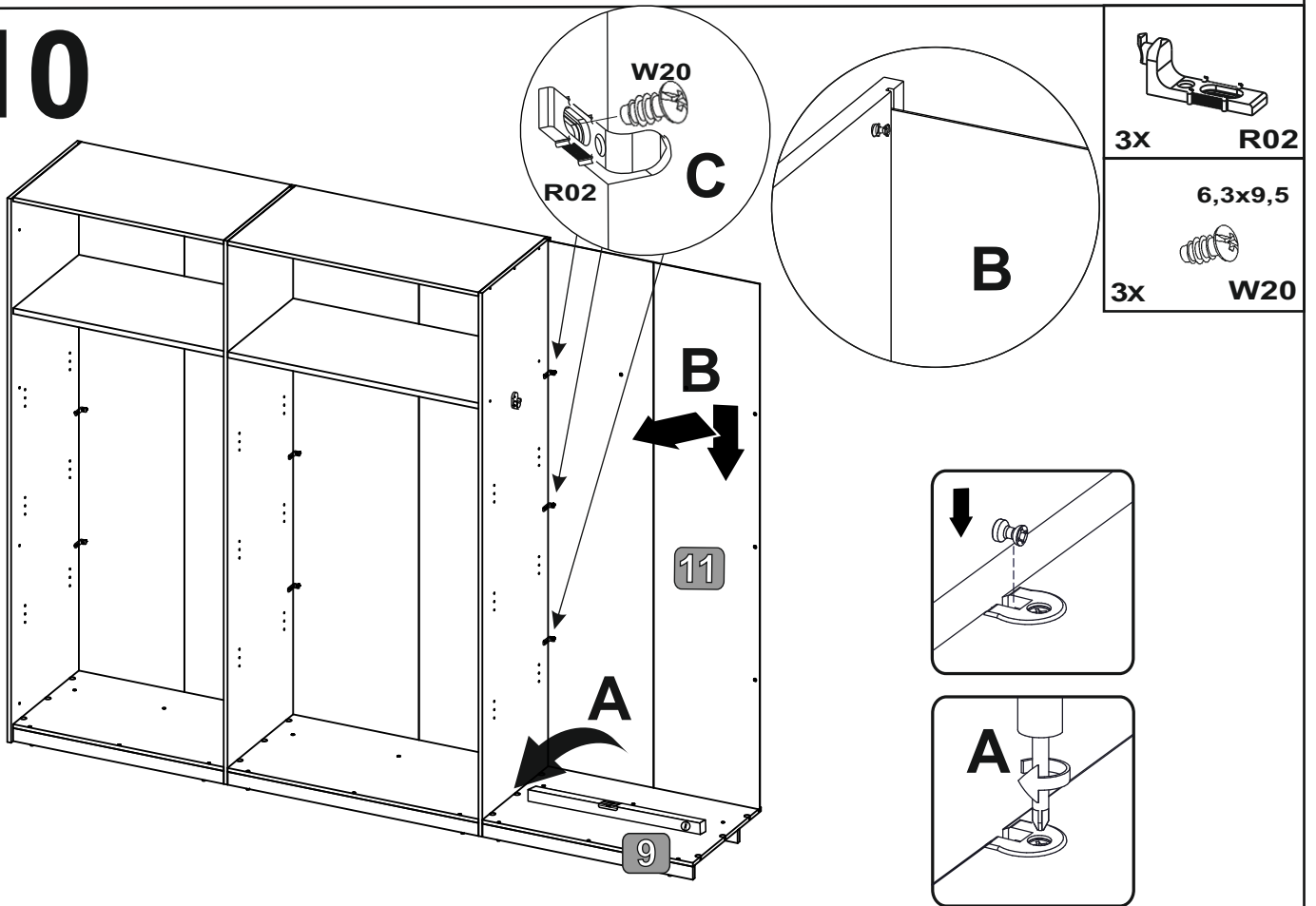




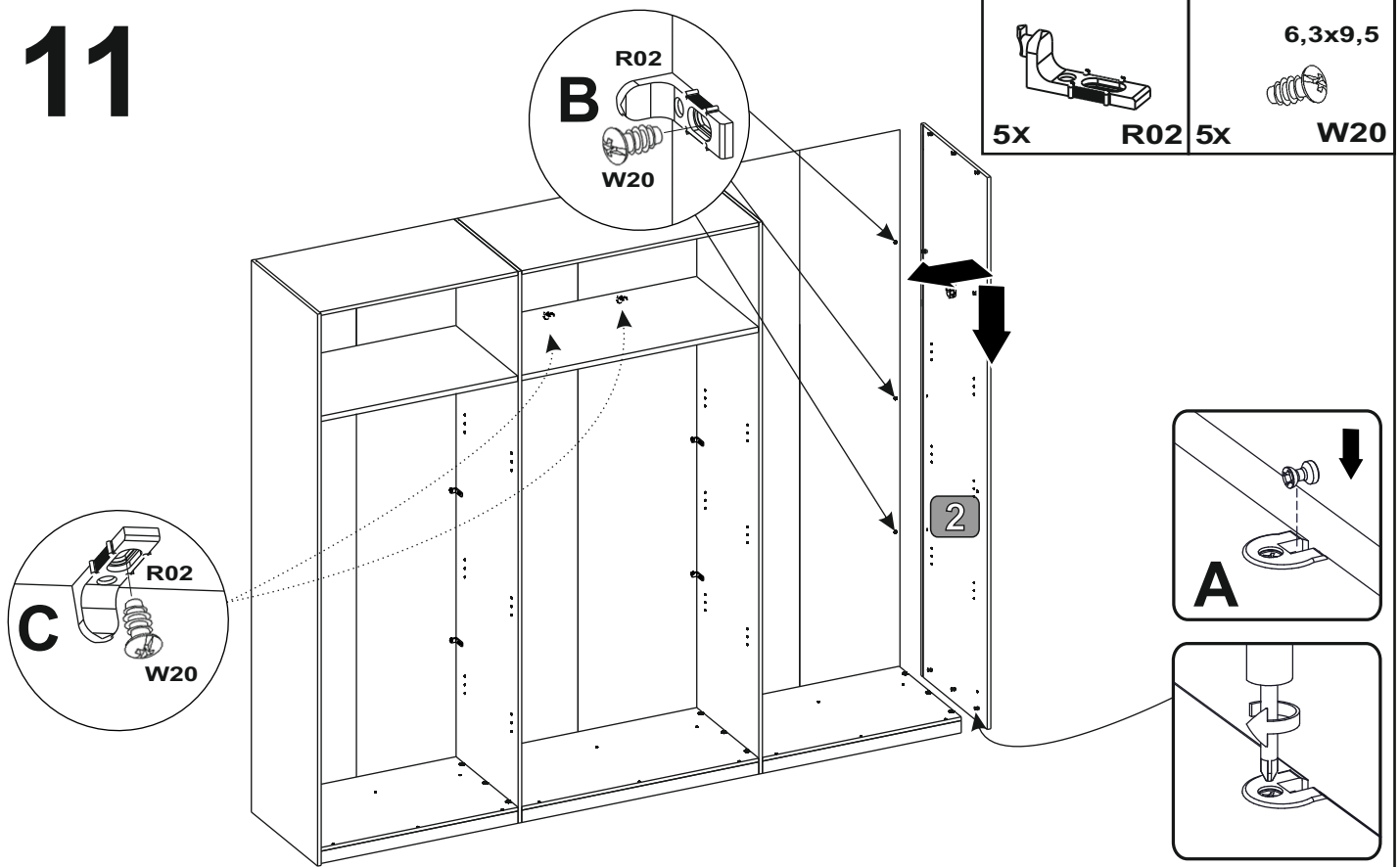
# 9



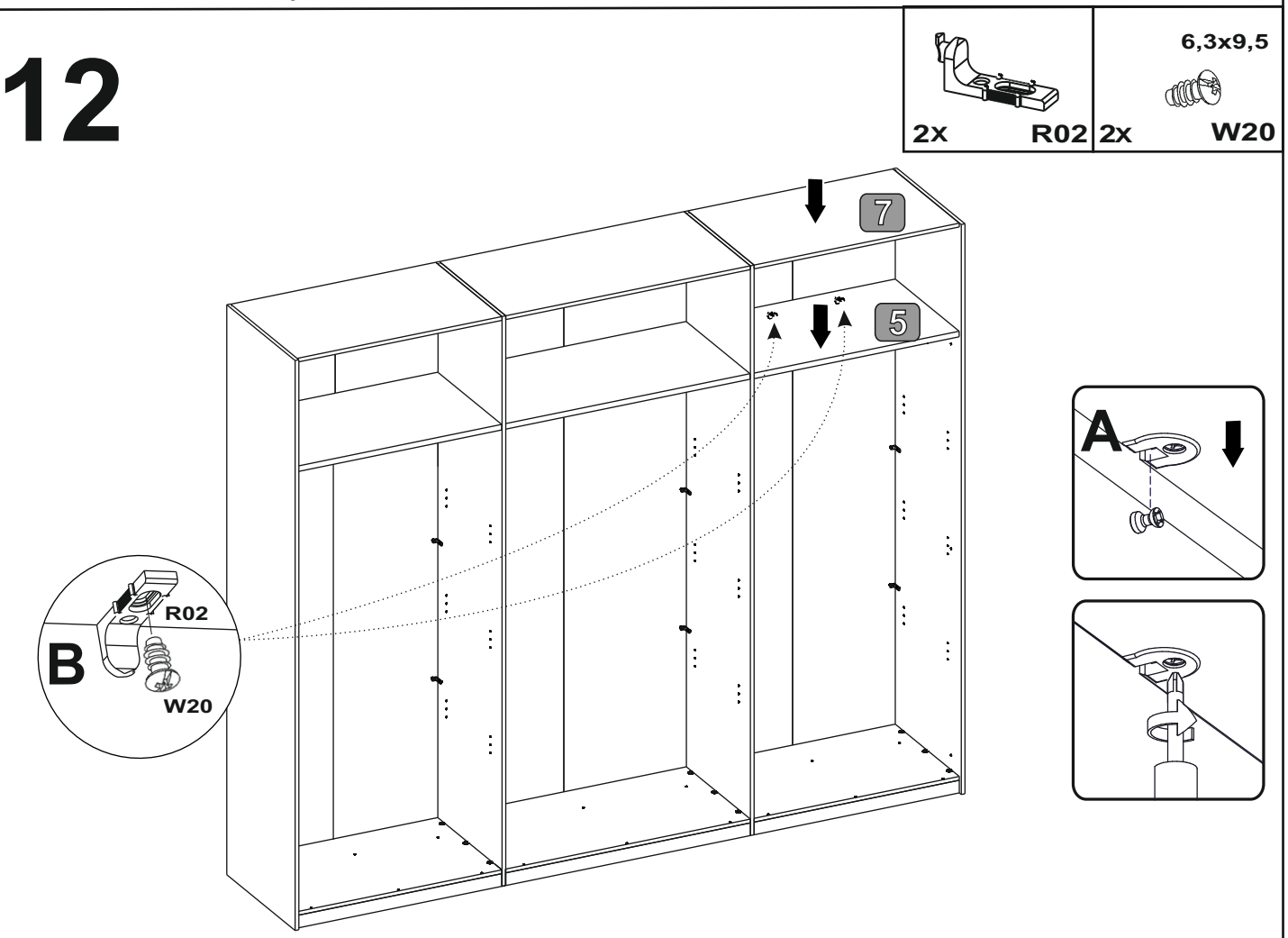
# 10



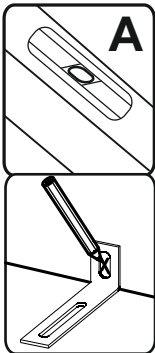
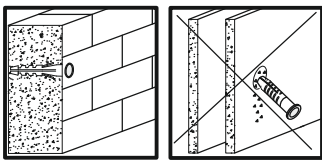
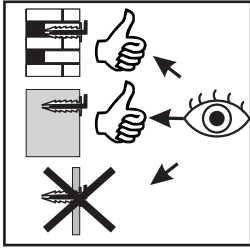
11



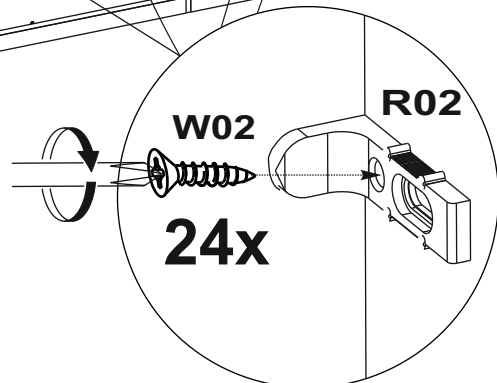
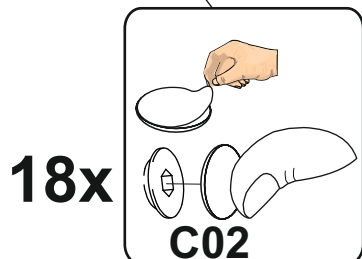
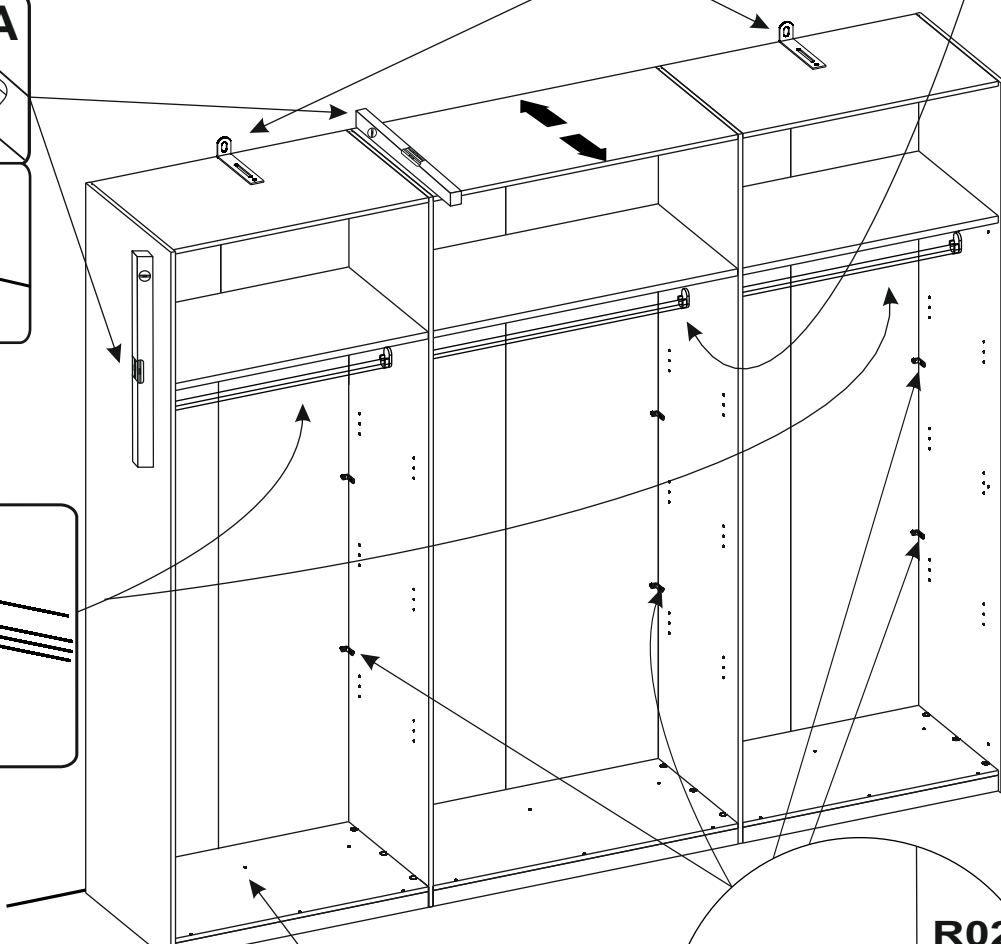
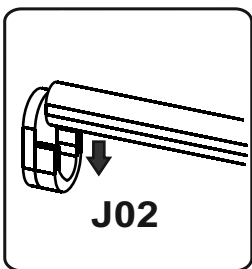
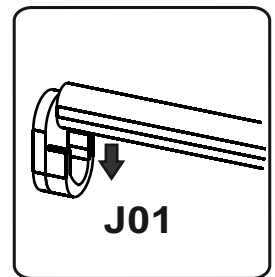
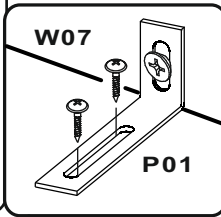
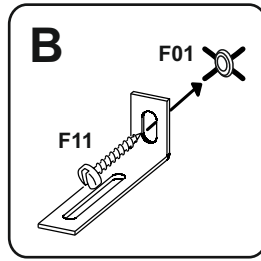
12



## 13



 2x F01	 2x F11	 24x W02	 4x W07	 2x P01
		 18x C02	 1x J01	 2x J02



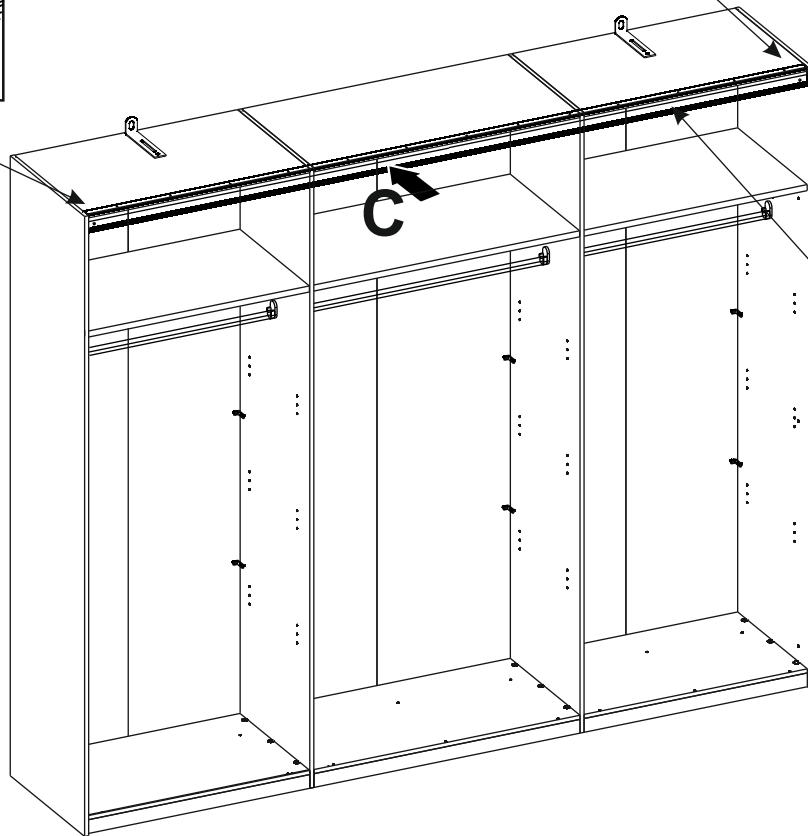
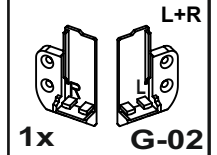
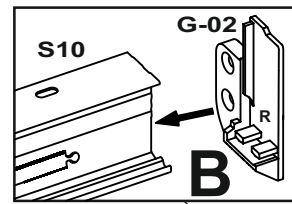
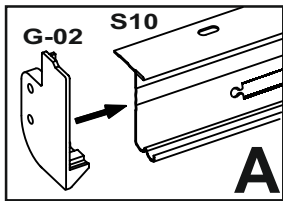
18x

C02

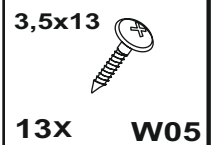
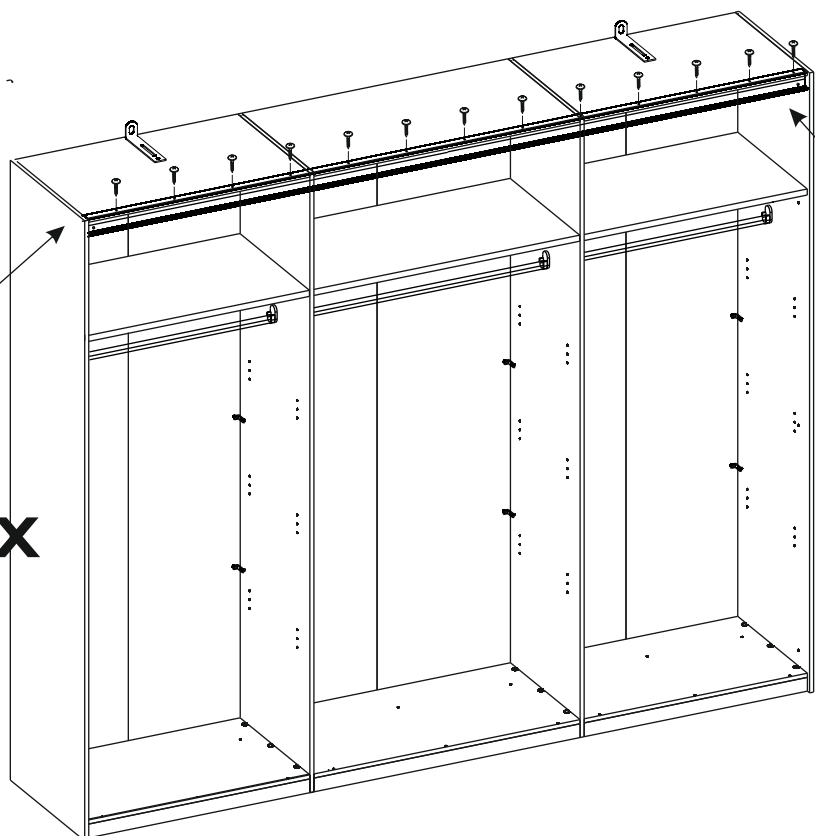
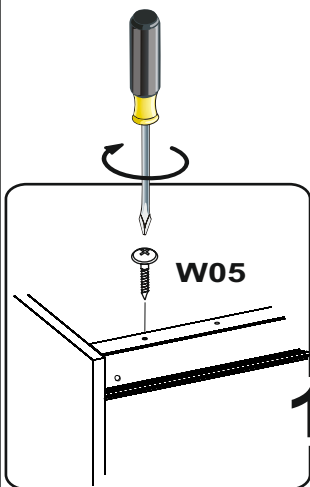
24x

R02

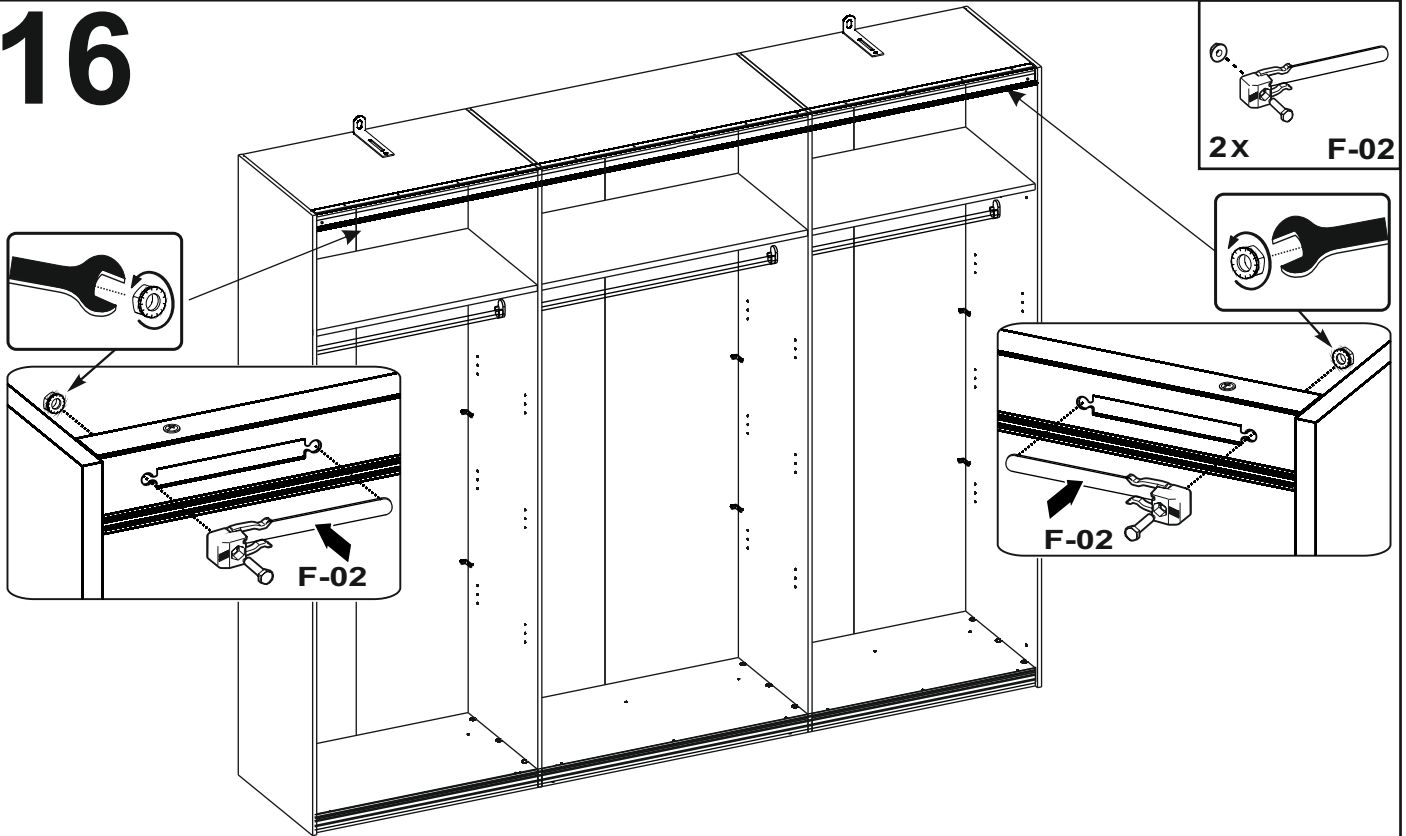
14



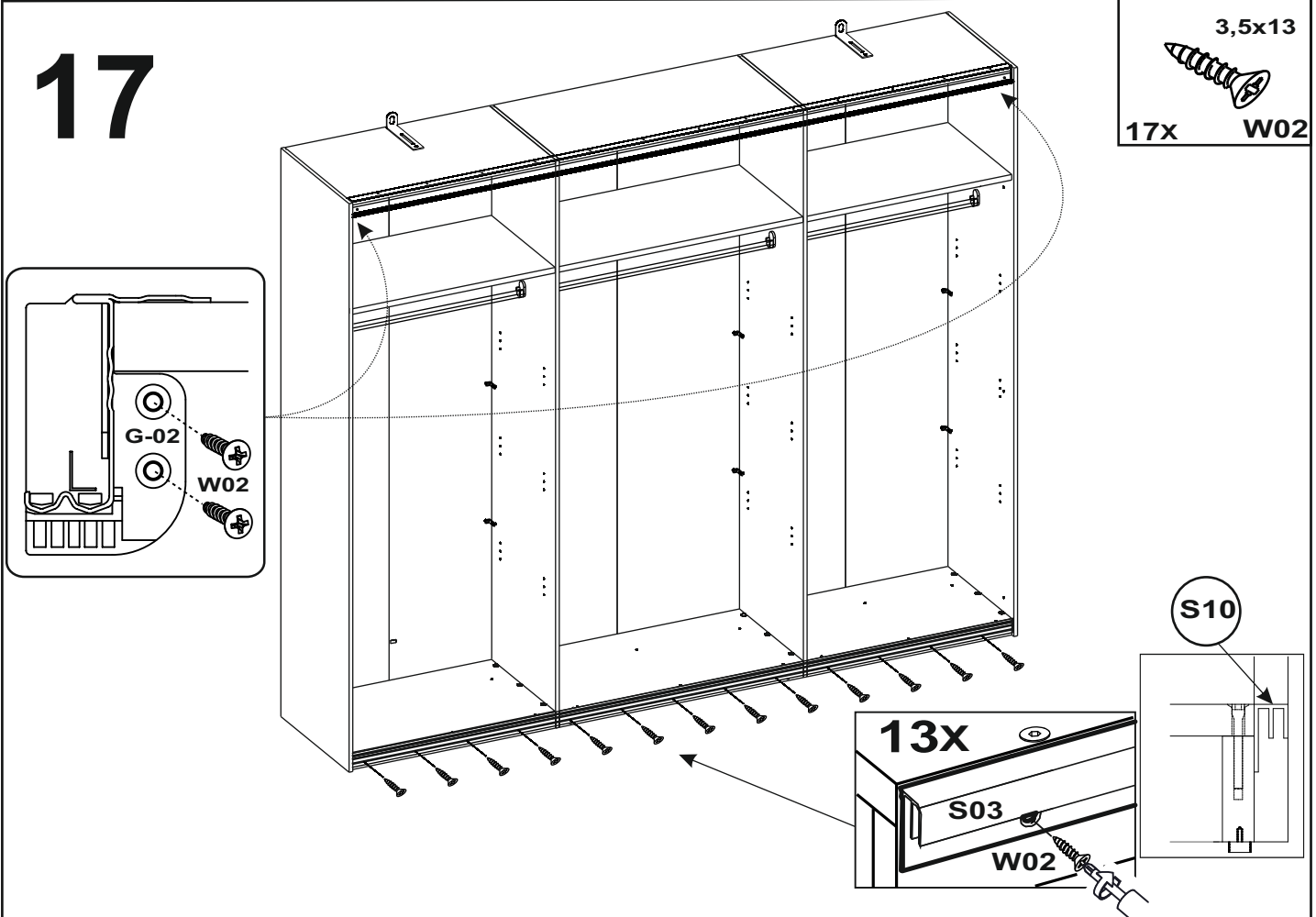
15



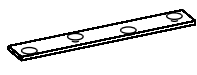
16



17



# 18



11X W08



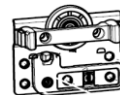
84X W02



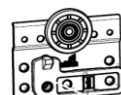
2x P-06



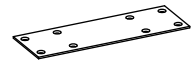
14X W12



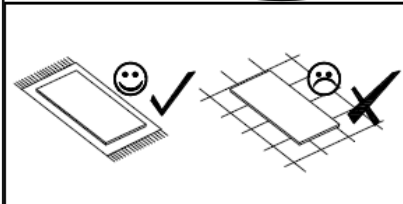
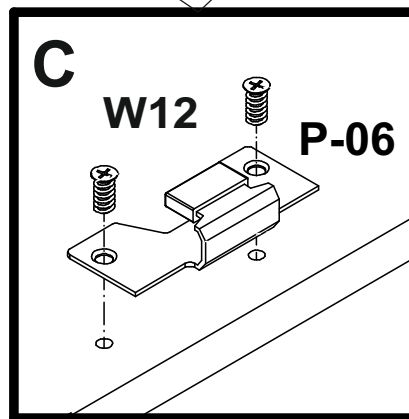
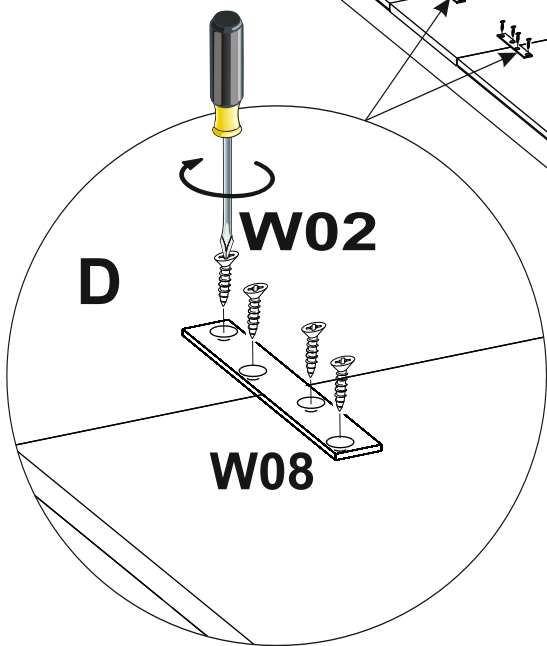
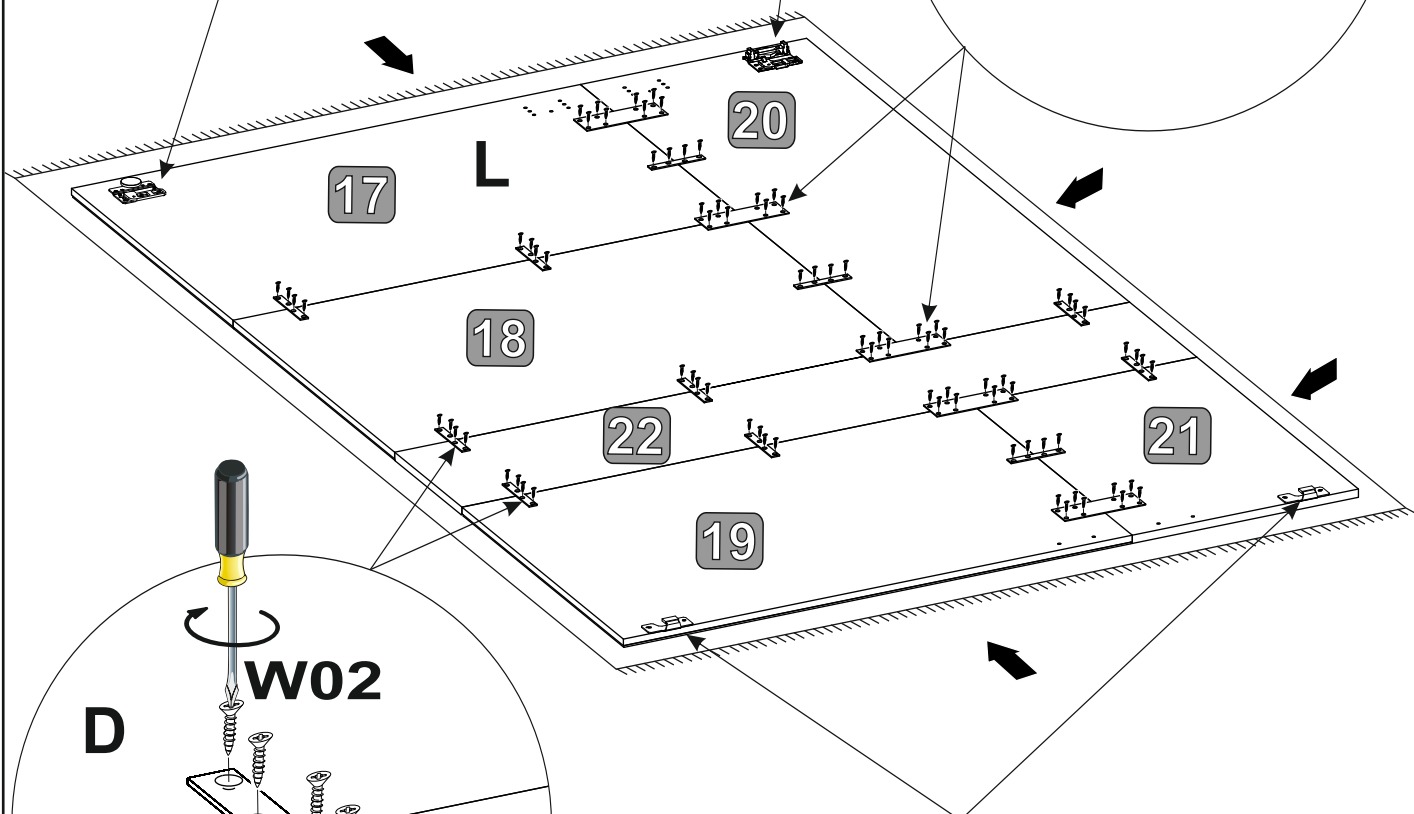
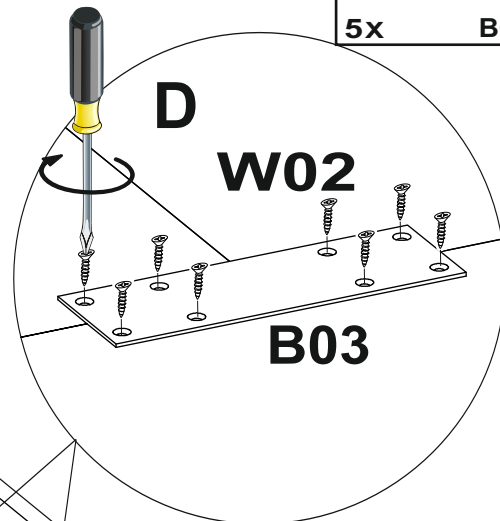
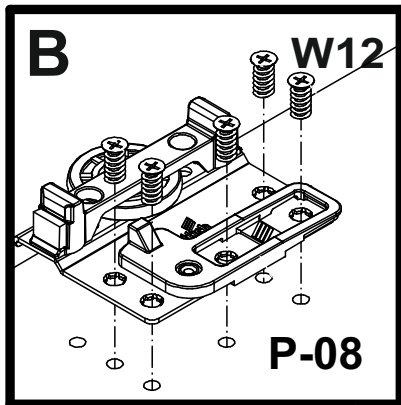
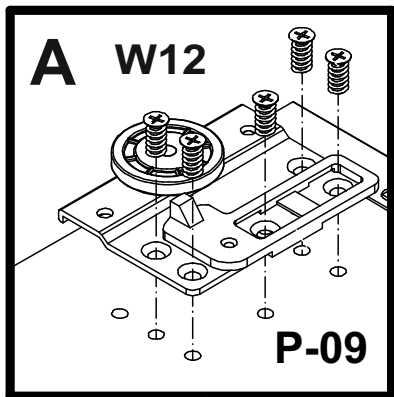
1x P-08



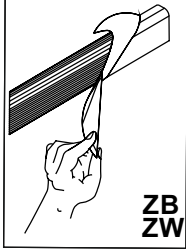
1x P-09



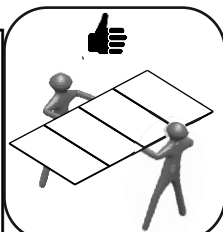
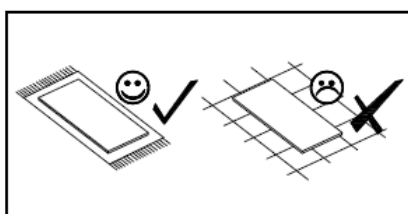
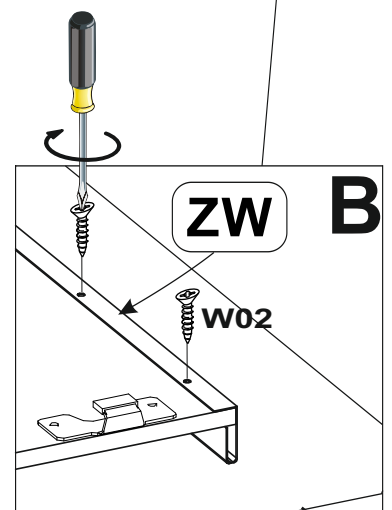
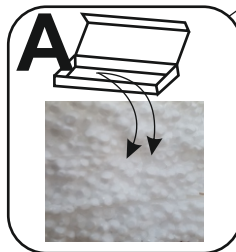
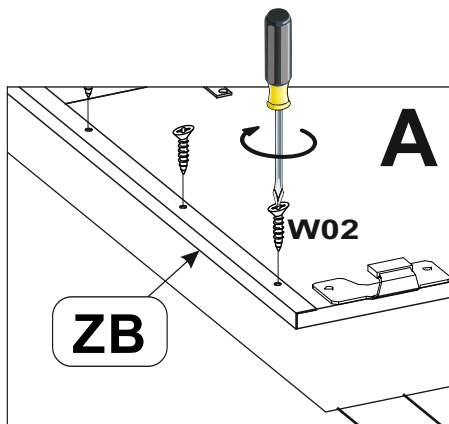
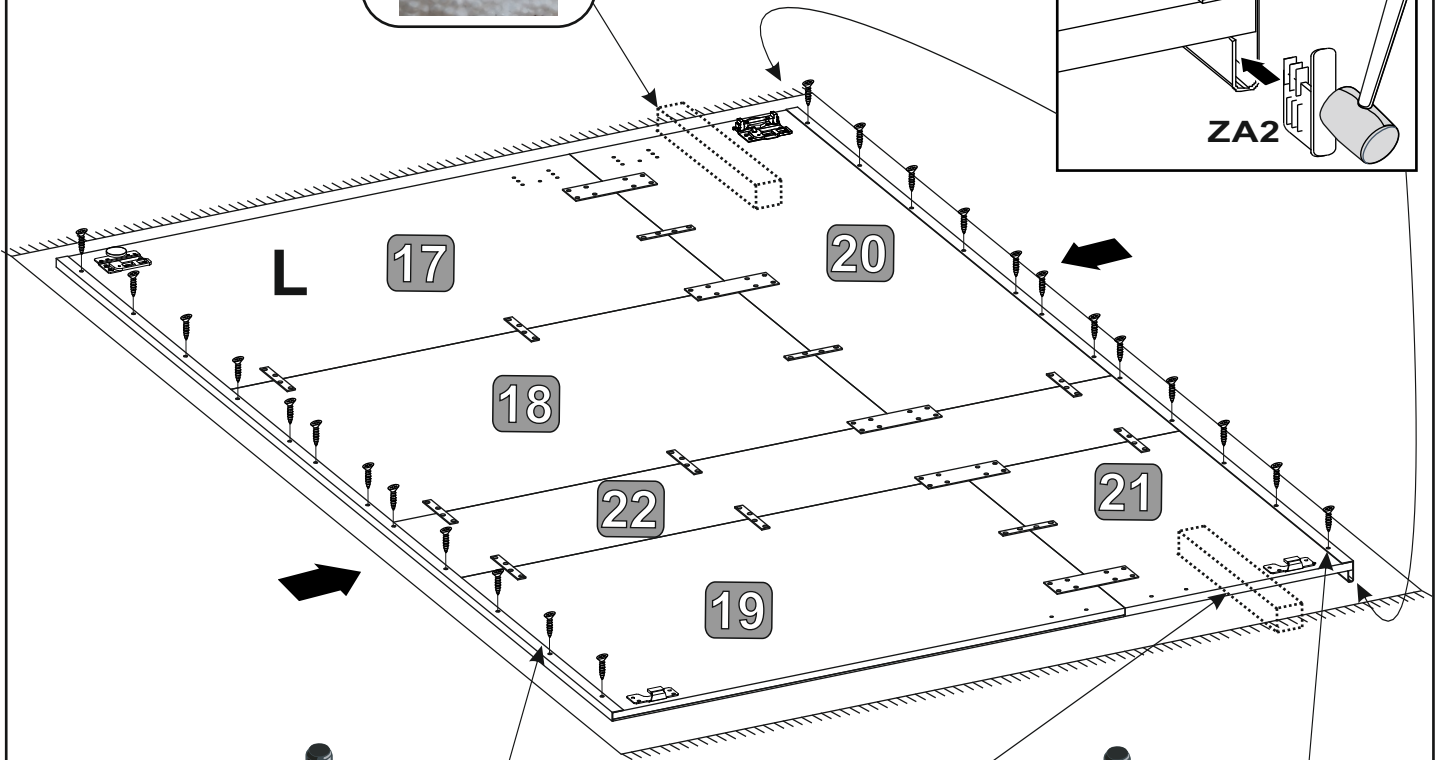
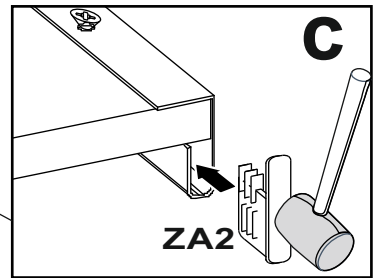
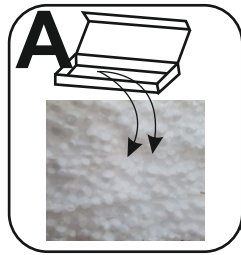
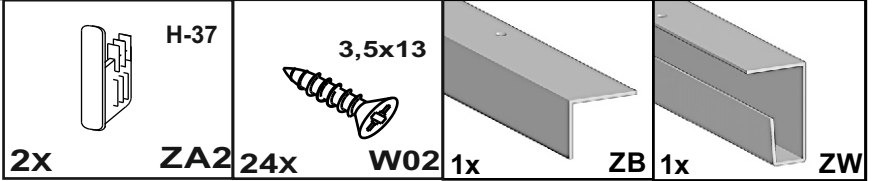
5X B03



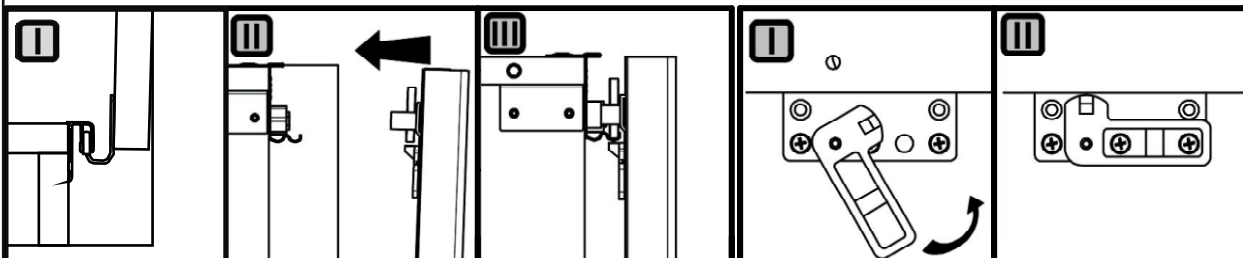
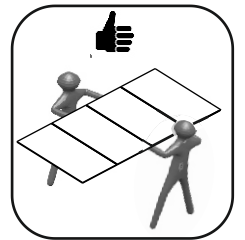
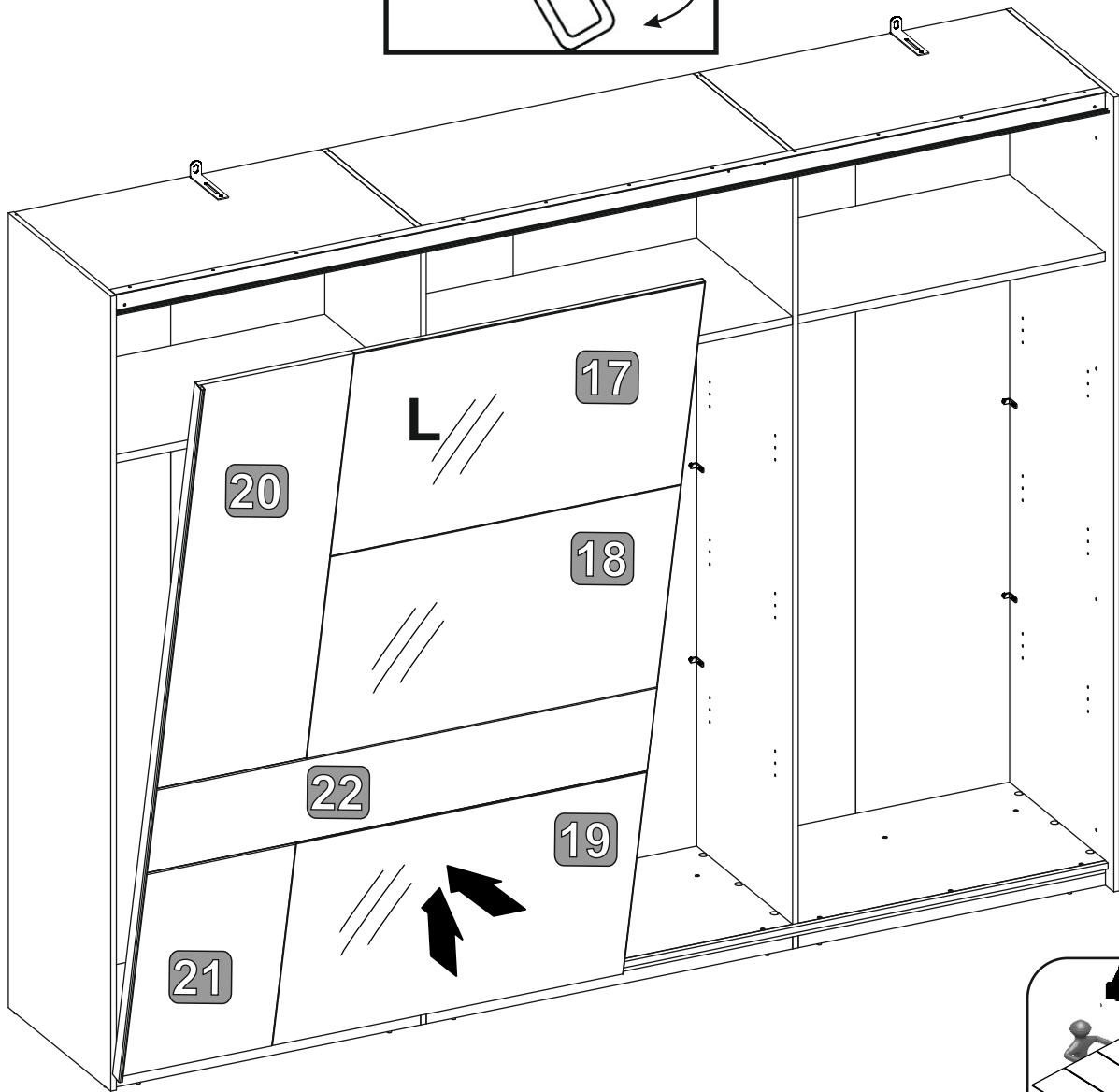
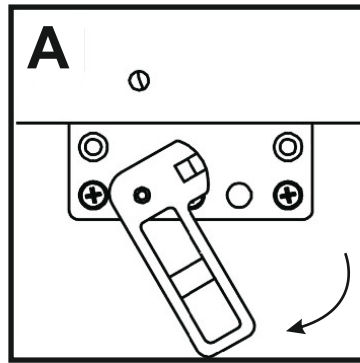
# 19



ZB  
ZW

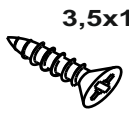
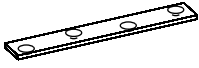

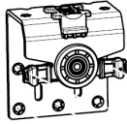
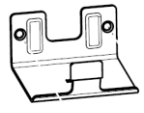



# 20

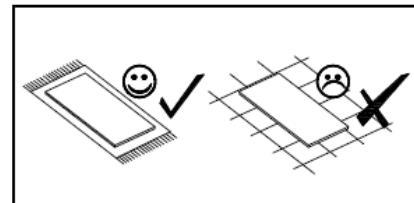
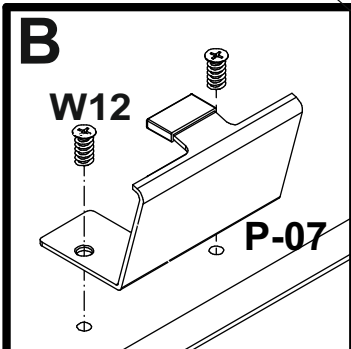
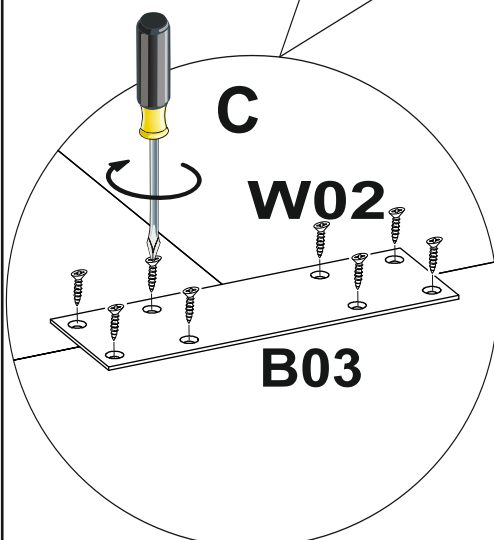
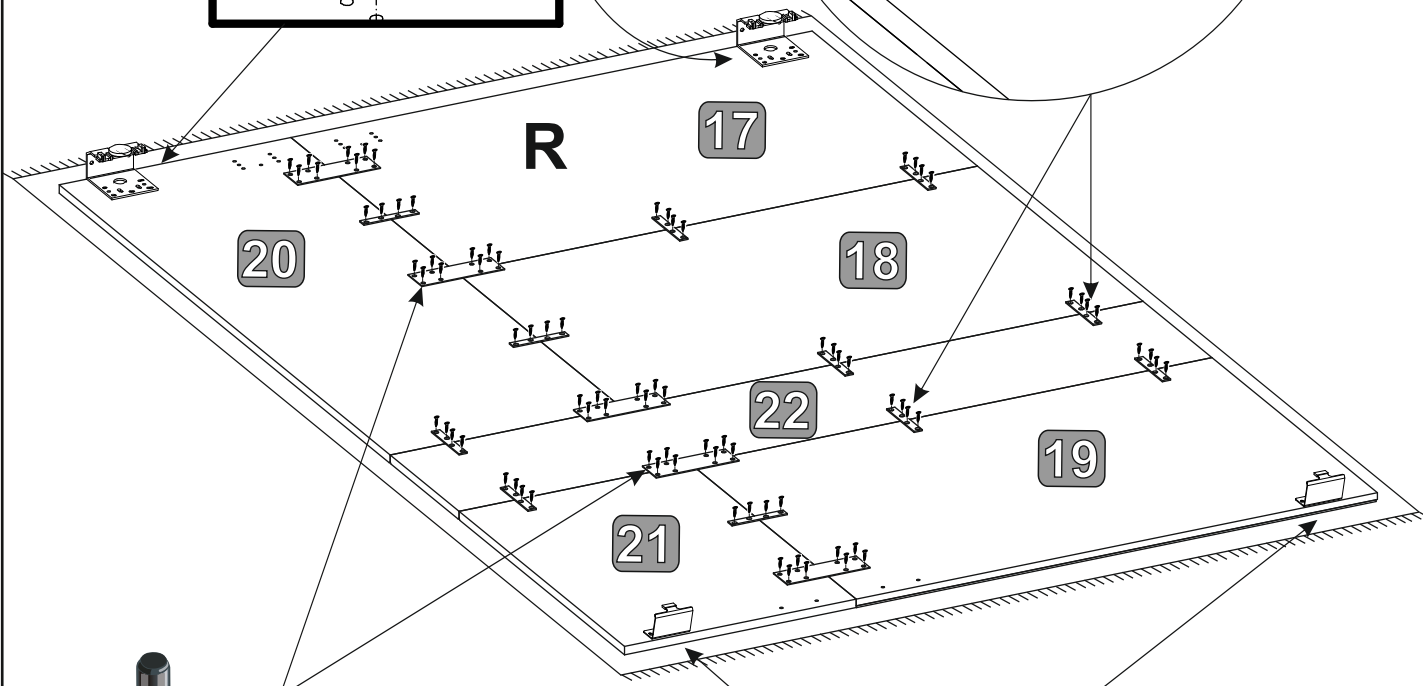
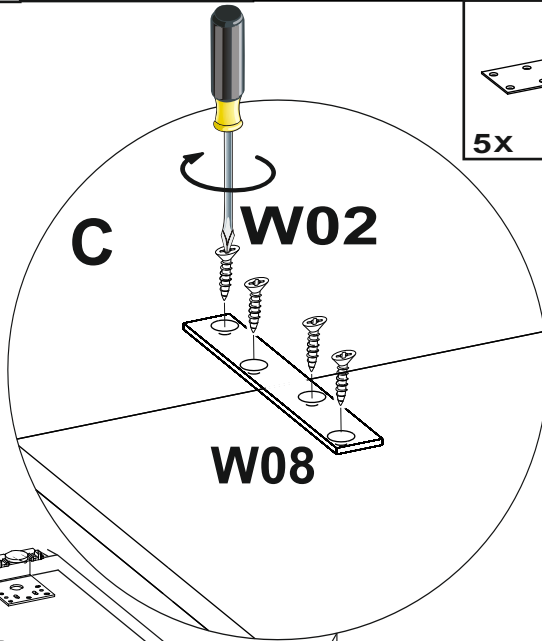
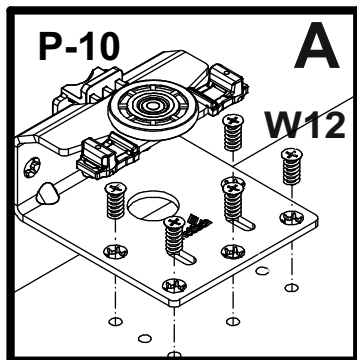




## 21

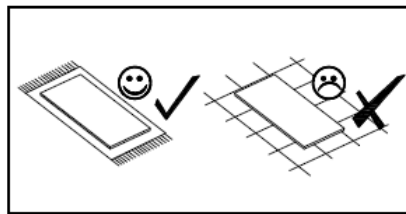
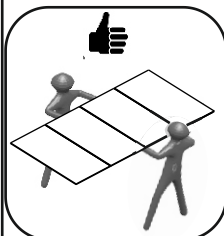
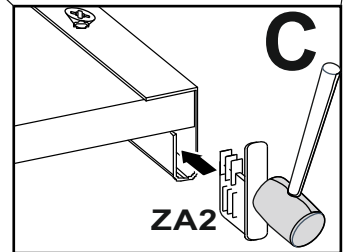
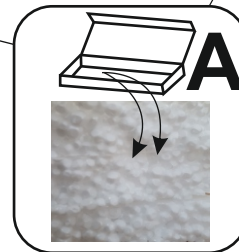
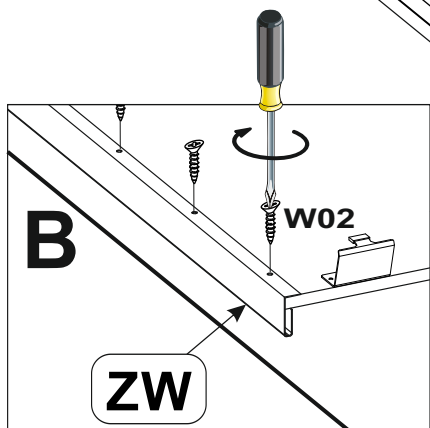
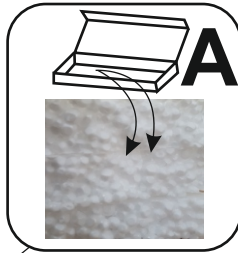
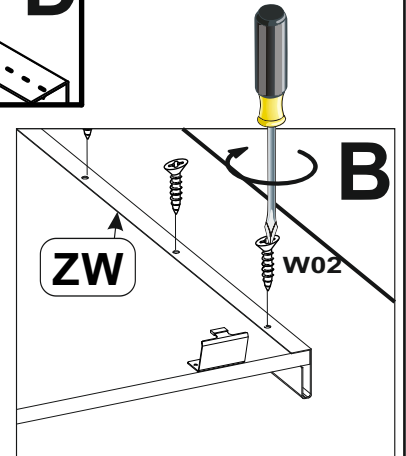
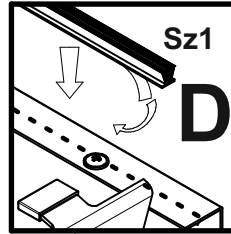
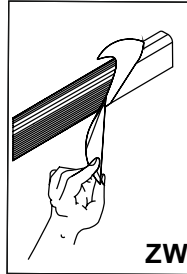
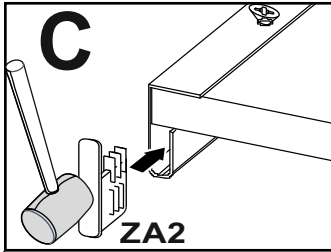
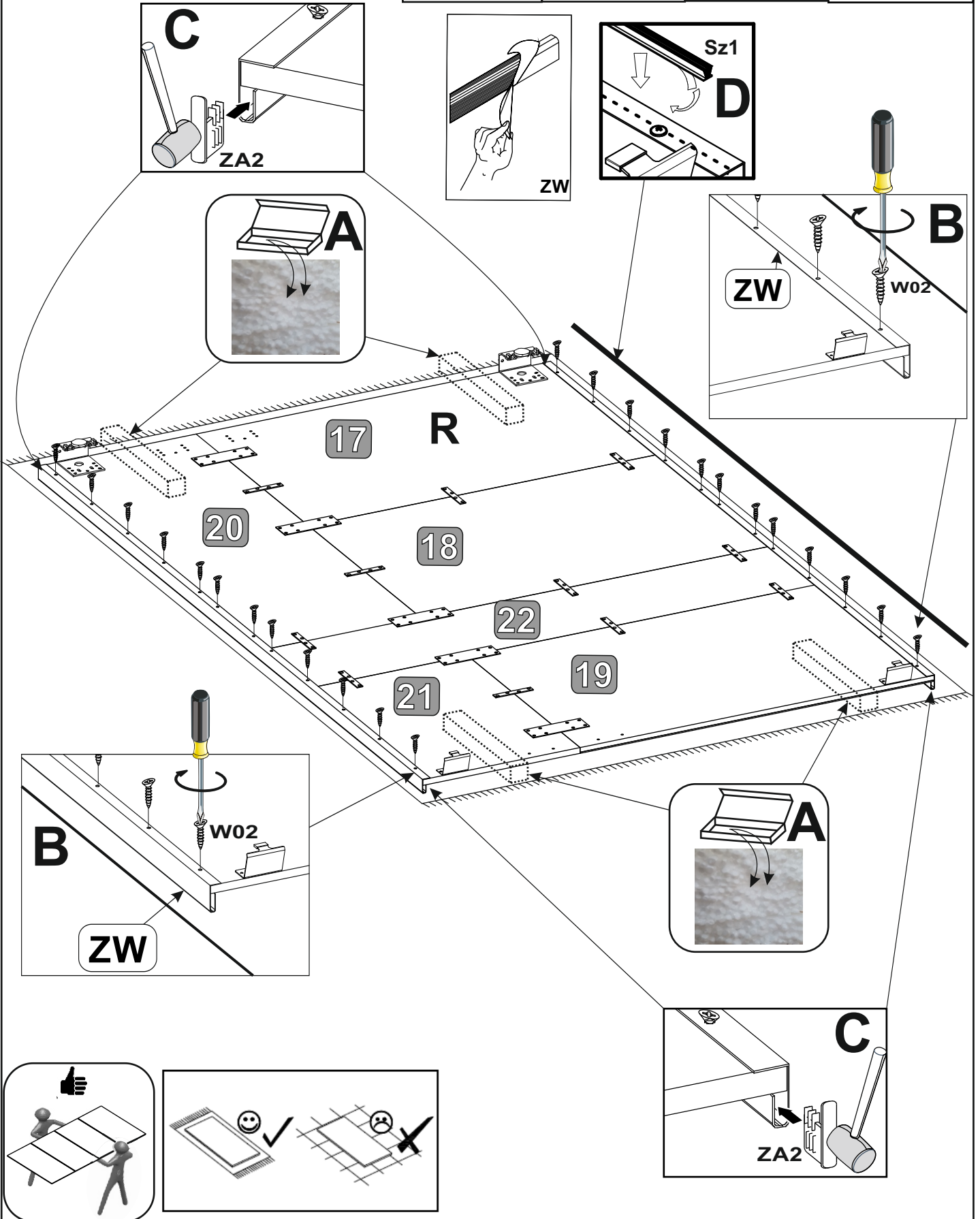
 3,5x13 84x W02	 W08 11x	 6x11 14x W12	 P-10 2x	 P-07 2x
--	---	---	---	---

 B03 5x
--



## 22

- 1 x Sz1
- 24 x W02
- 3,5x13
- 4 x ZA2
- H-37
- 2 x ZW



23

