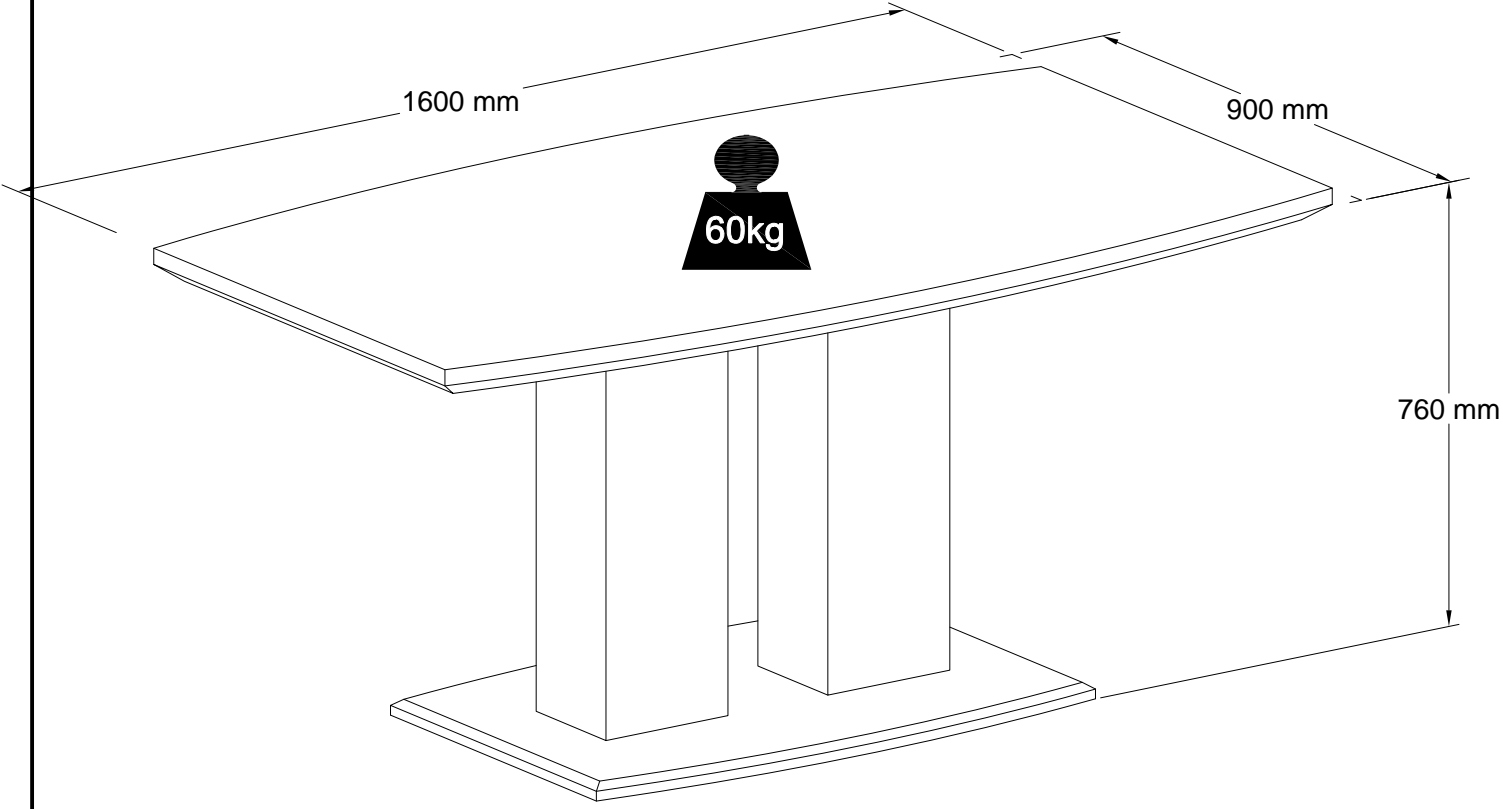
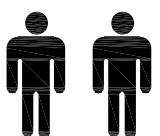
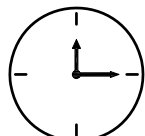


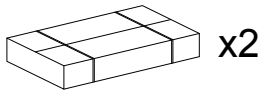
22390195-01

22390204-01

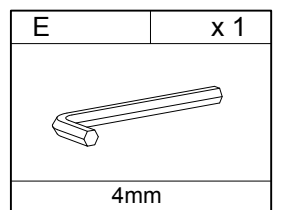
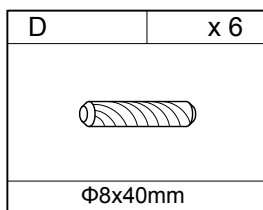
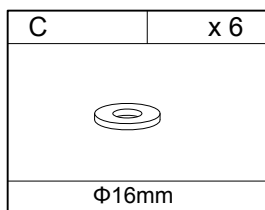
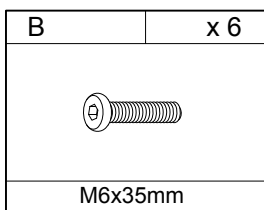
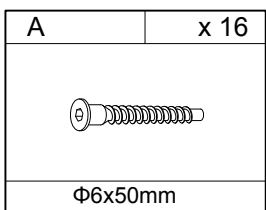
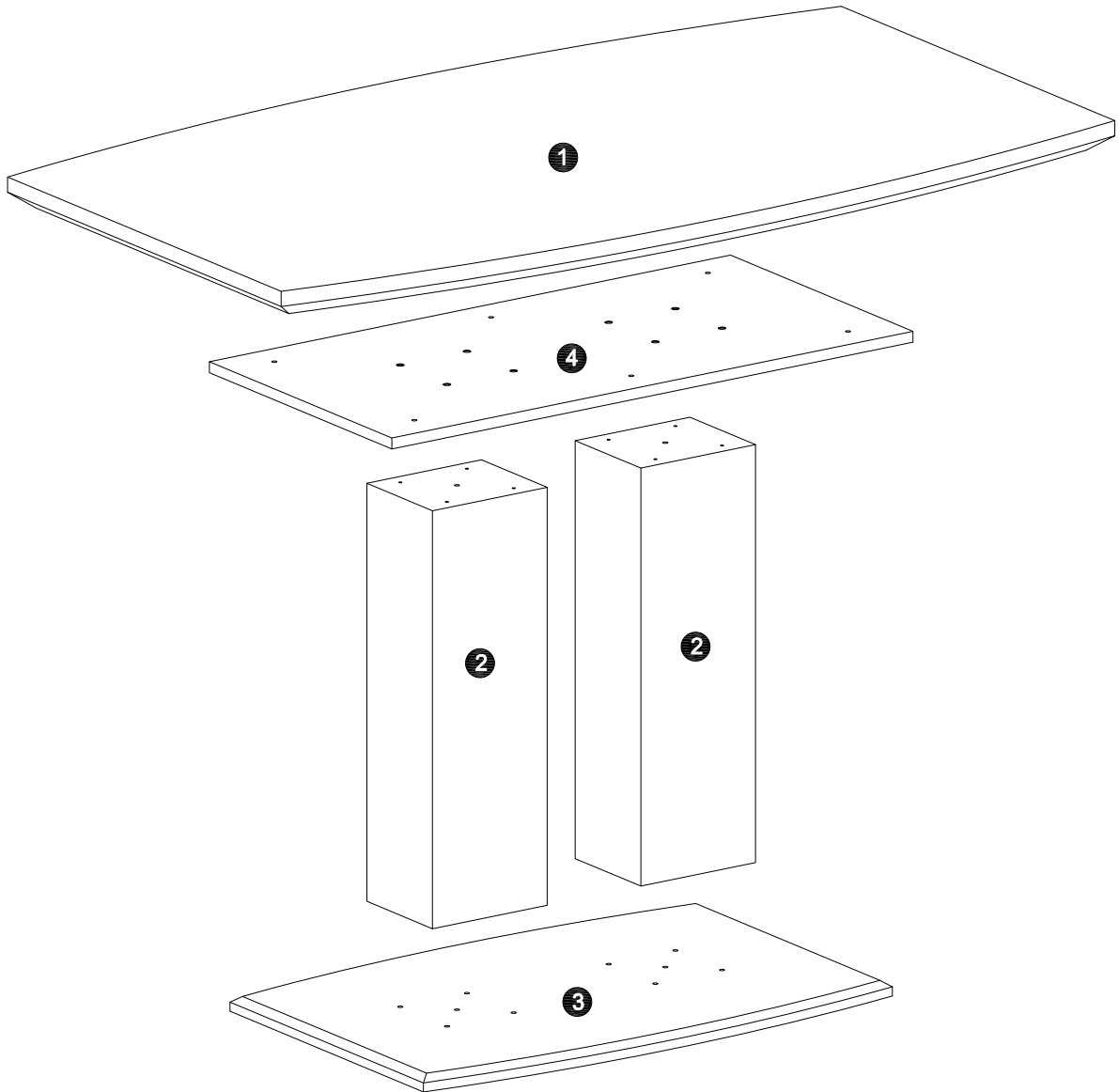
BOAT
JAMES
MALVIN 160



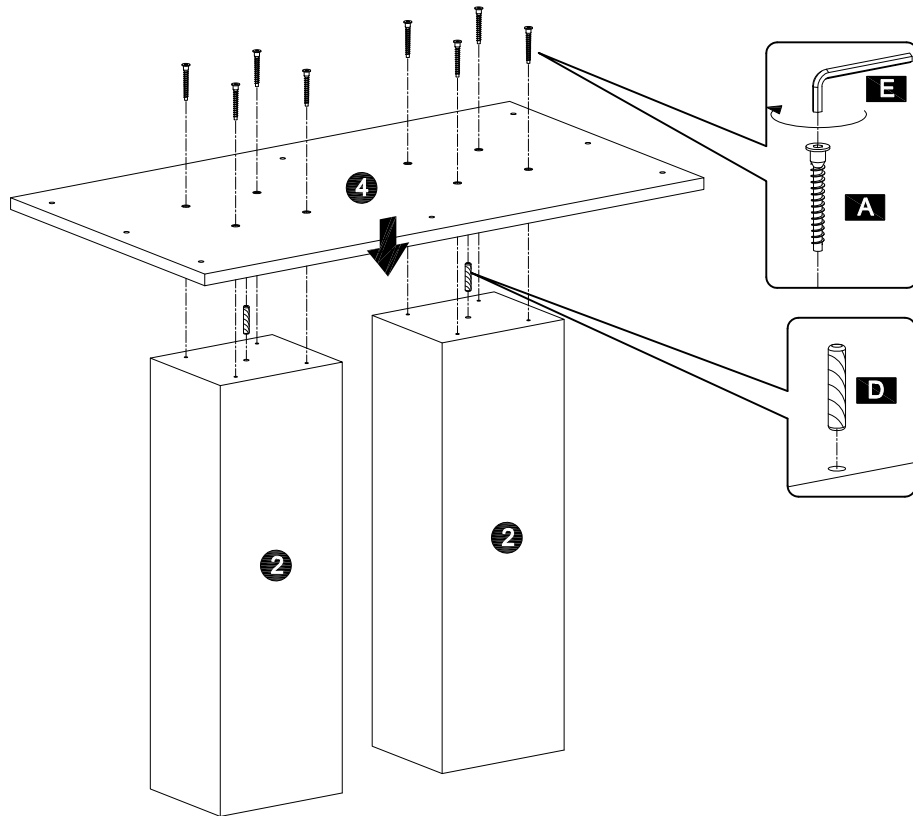
 2 PERS.	 30 MIN
--	---



No.	Taille	Qté	Ctn no.
No.	Size	Qty	Ctn no.
No.	Tamaño	Cant	Ctn no.
1	1600x900x40mm	1	1
2	665x220x180mm	2	2
3	900x600x25mm	1	1
4	900x500x18mm	1	1



1

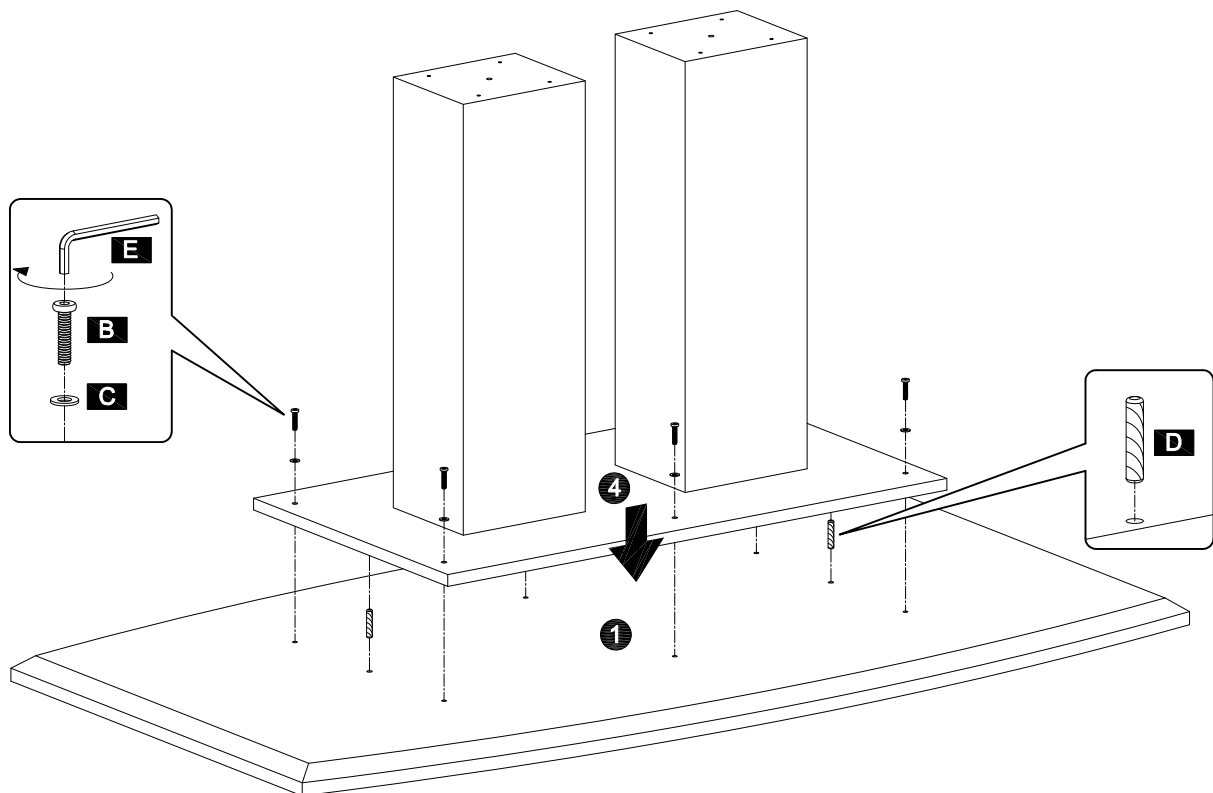


A	x 8
Φ6x50mm	

D	x 2
Φ8x40mm	

E	x 1
4mm	

2



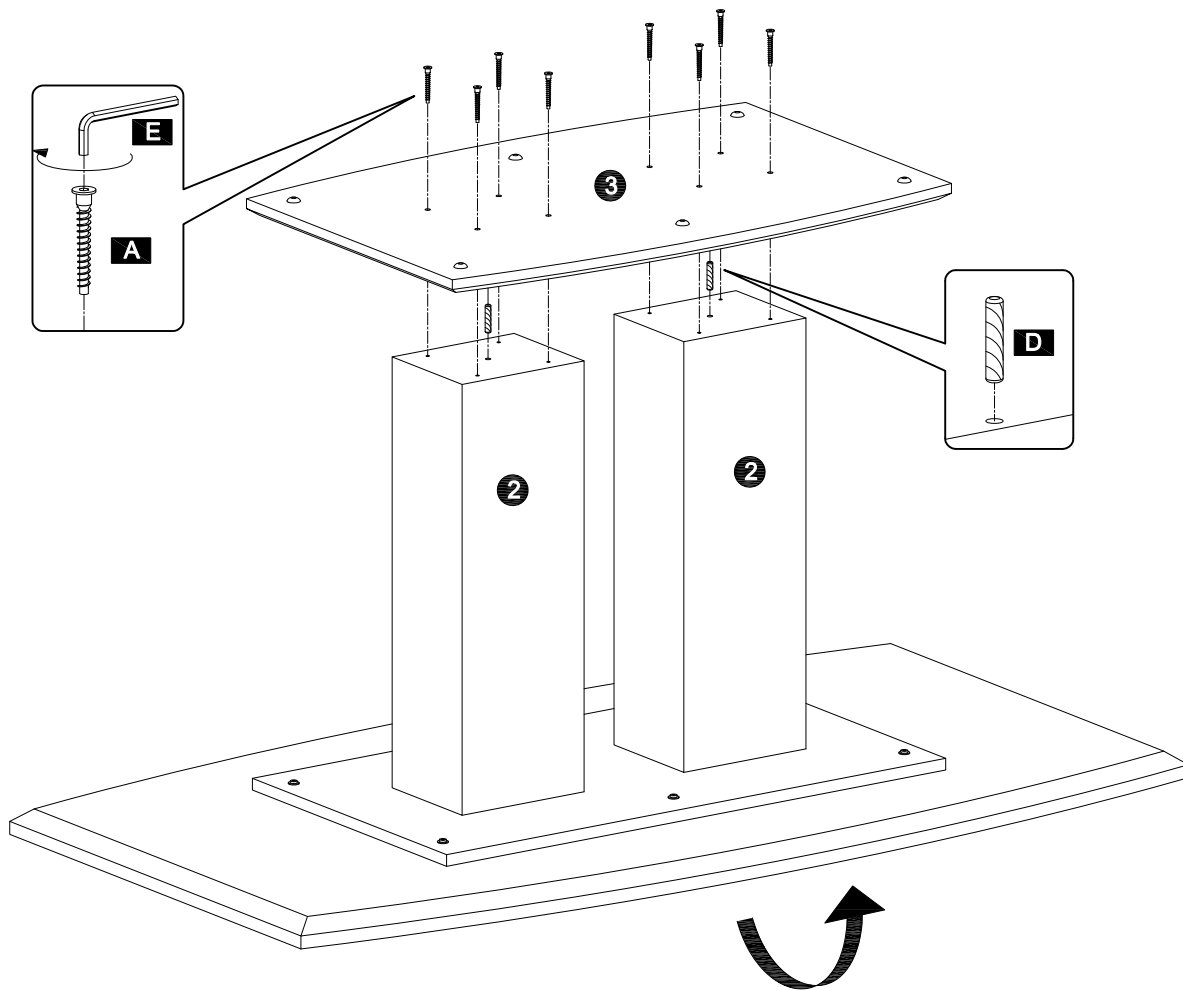
B	x 6
M6x35mm	

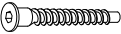
C	x 6
Φ16mm	


D	x 2
Φ8x40mm	


E	x 1
4mm	

3



A	x 8
	
Φ6x50mm	

D	x 2
	
Φ8x40mm	

E	x 1
	
4mm	

