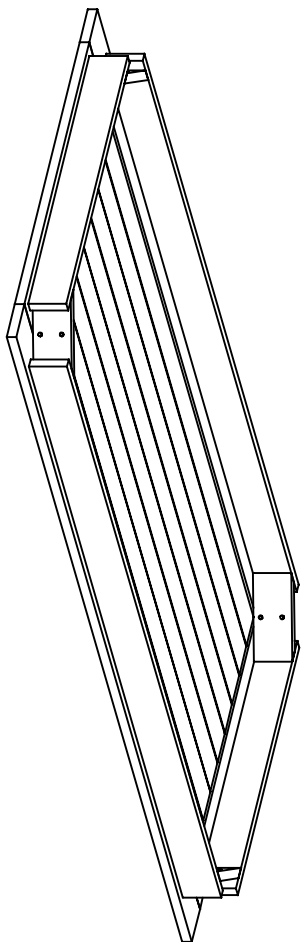
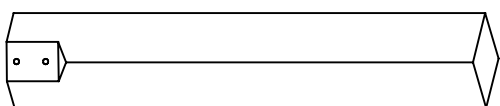
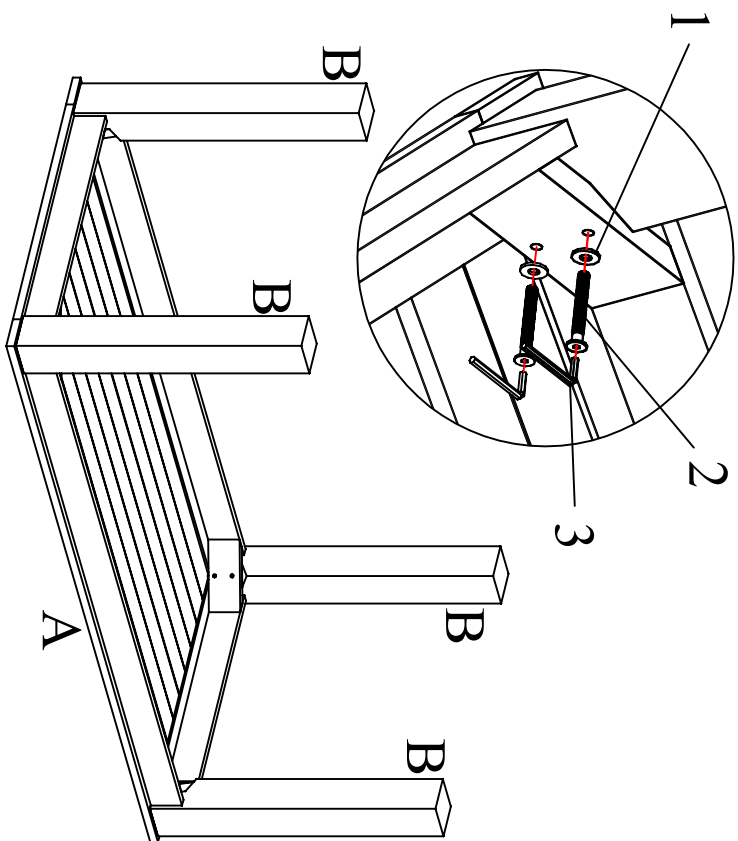


ASSEMBLY INSTRUCTIONS  
 HENRY TABLE 180 x 90 x 75 CM  
 ARTICLE NO. 20140017/01



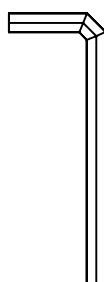


A x 1



B x 4

HARDWARE

| REF | DESCRIPTION   | Q.TY |
|-----|---|------|
| 1   |  | 8    |
| 2   |   | 8    |
| 3   |    | 1    |

