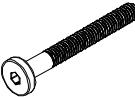

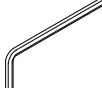
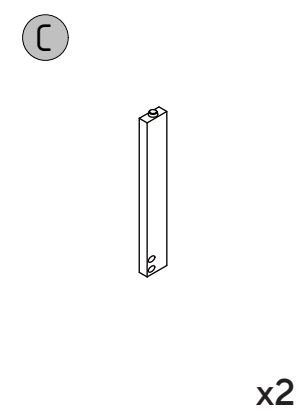
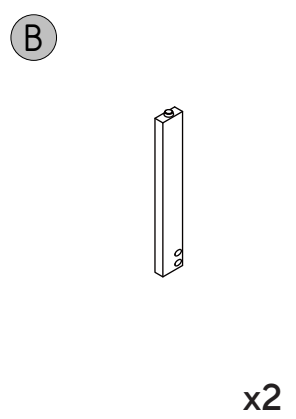
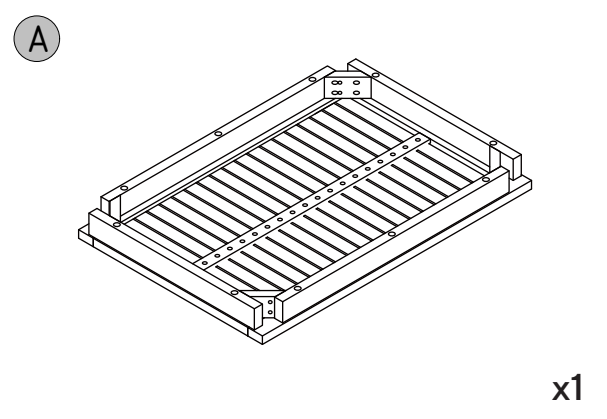


ASSEMBLY INSTRUCTIONS: 12540019/01

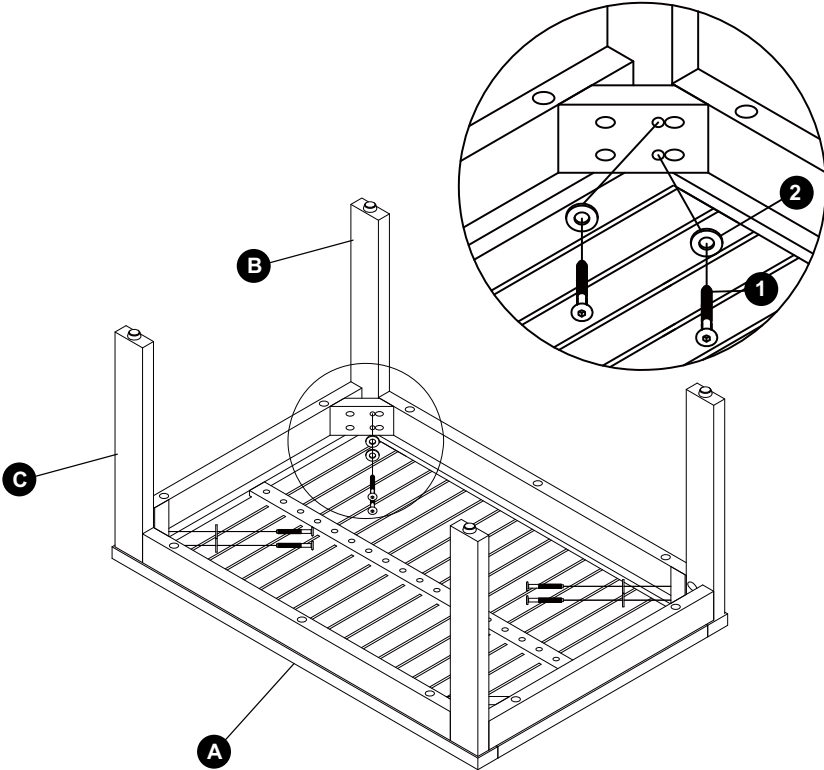


ASSEMBLY INSTRUCTIONS: 12540019/01

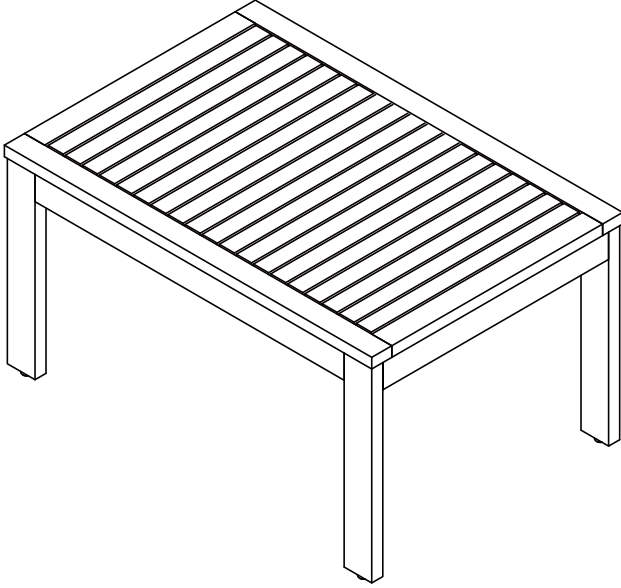
No	Name of Hardware	Fig	Qty
1	Bolt M6 x 55 mm		8
2	Washer		8
3	Allen Key		1



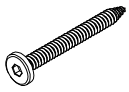
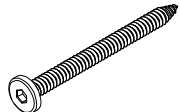



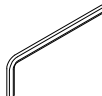
Step 1:

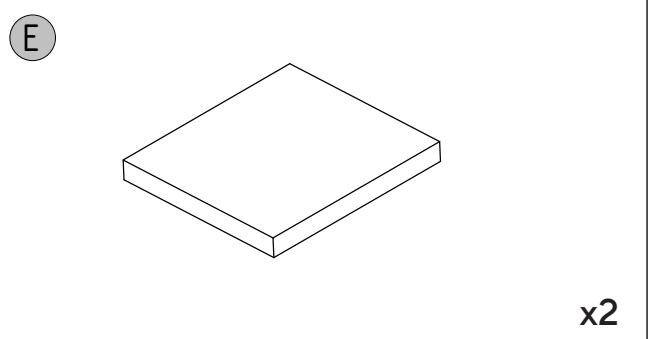
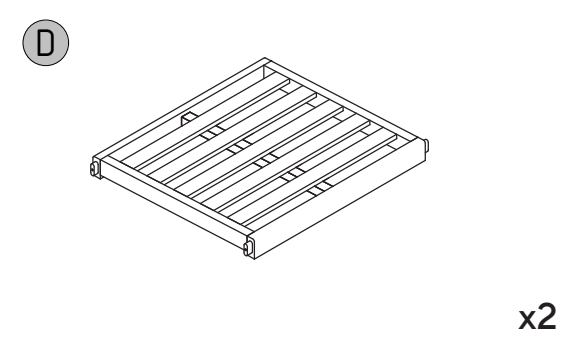
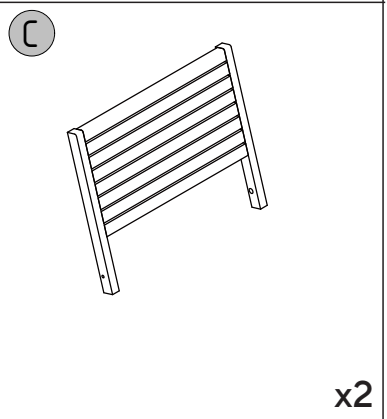
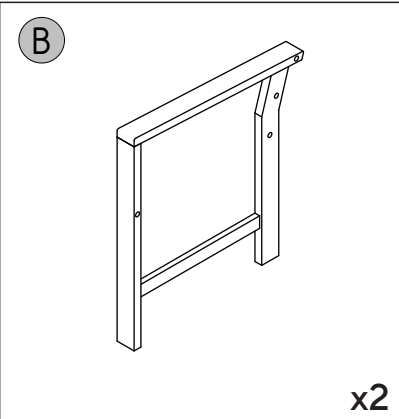
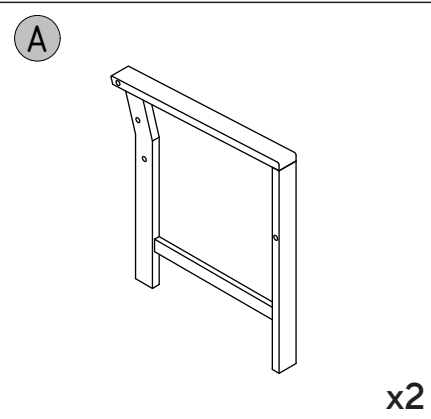


Step 2:

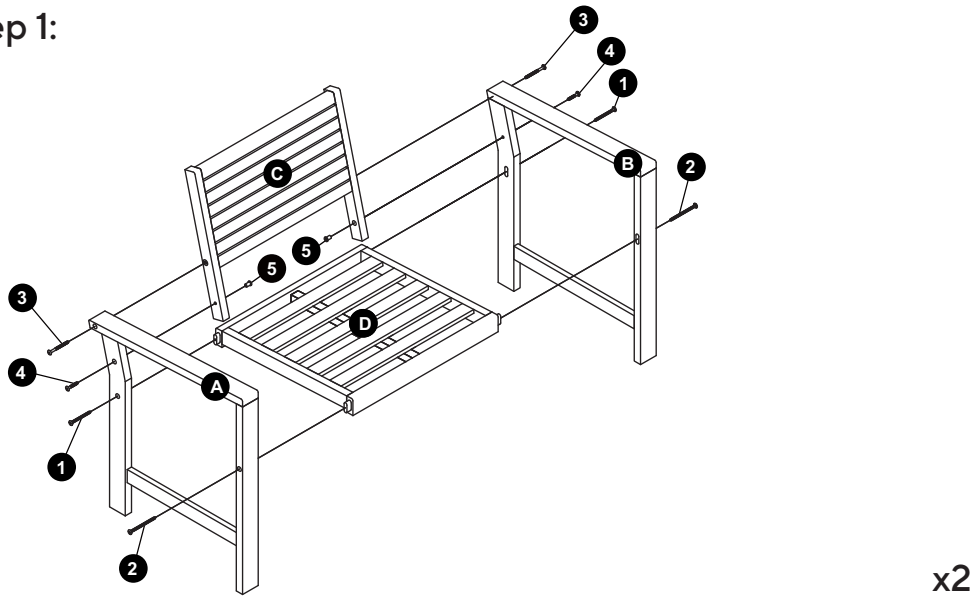


ASSEMBLY INSTRUCTIONS: 12540019/01

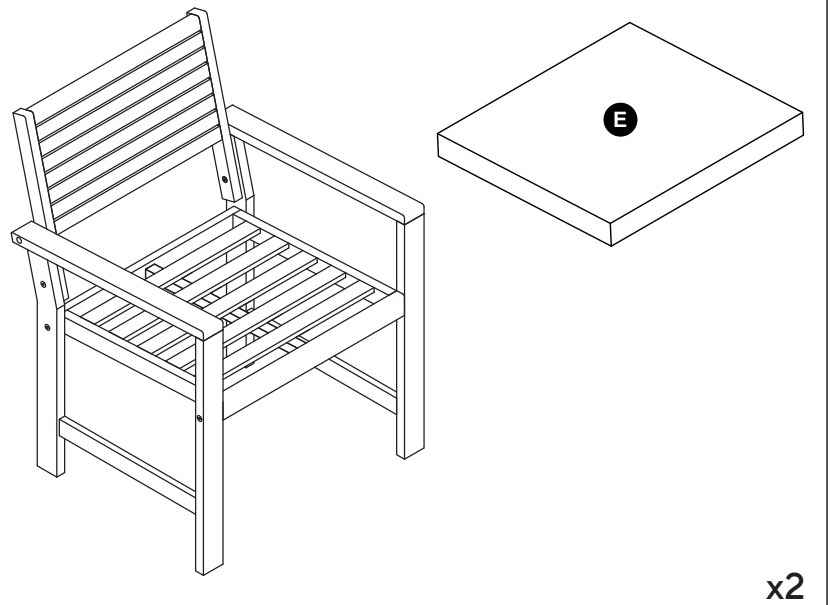
No	Name of Hardware	Fig	Qty
1	Screw M6 x 70 mm		4
2	Screw M6 x 90 mm		4
3	Bolt M6 x 65 mm		4
4	Bolt M6 x 35 mm		4
5	Nut		4
6	Allen Key		2



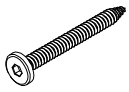
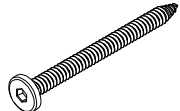


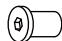
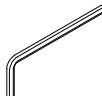
Step 1:

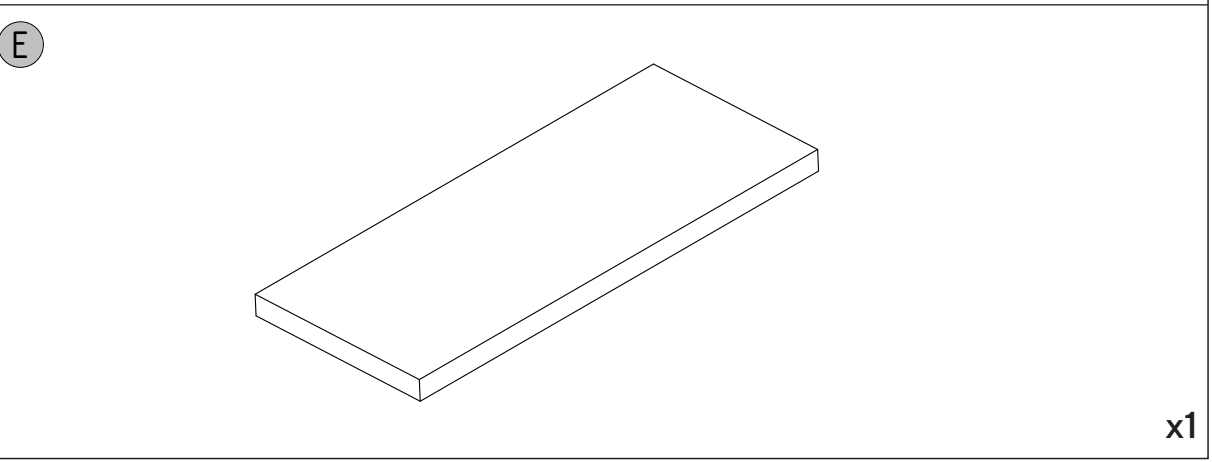
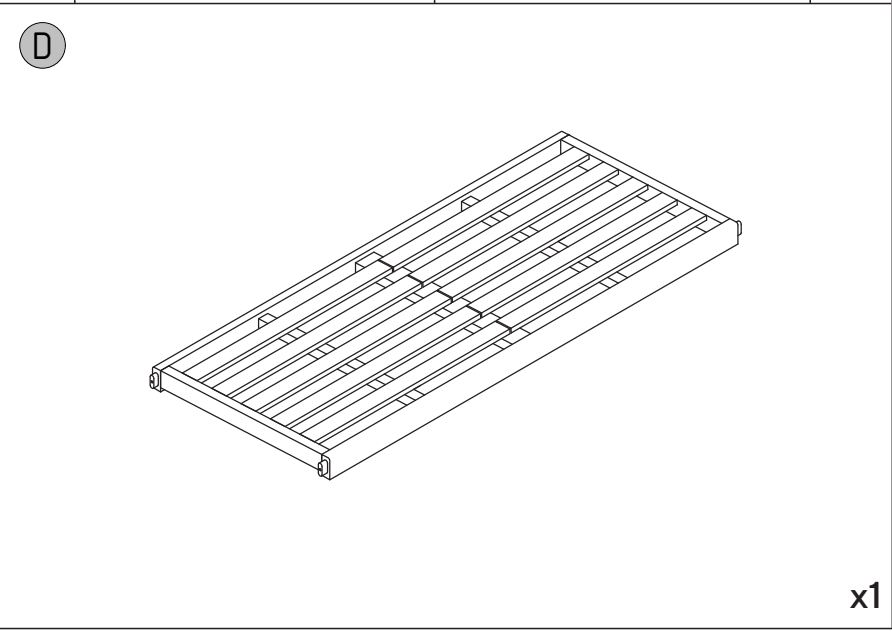
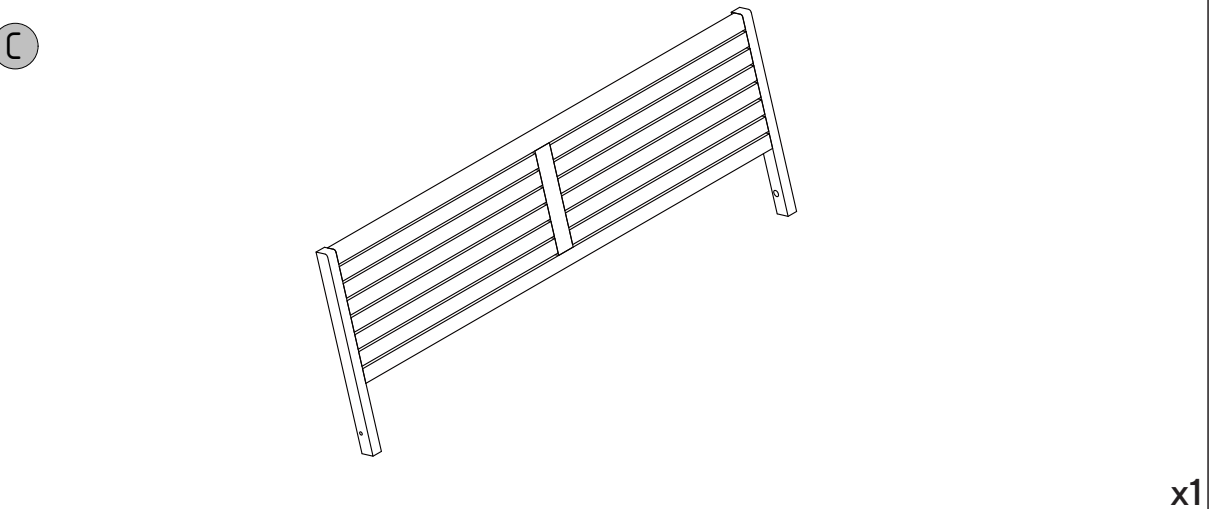
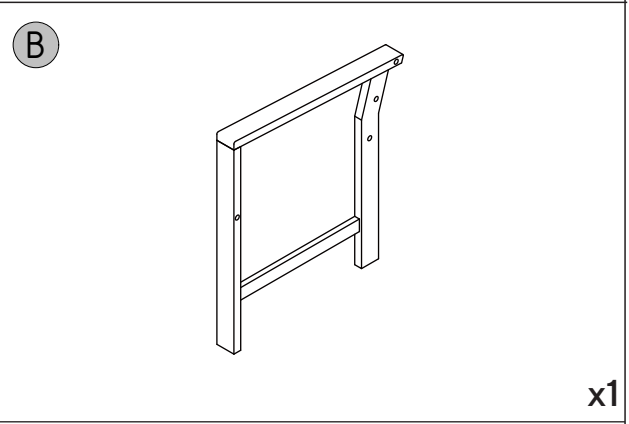
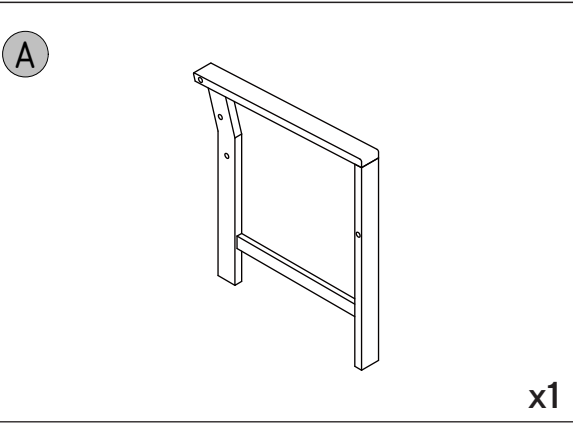


Step 2:



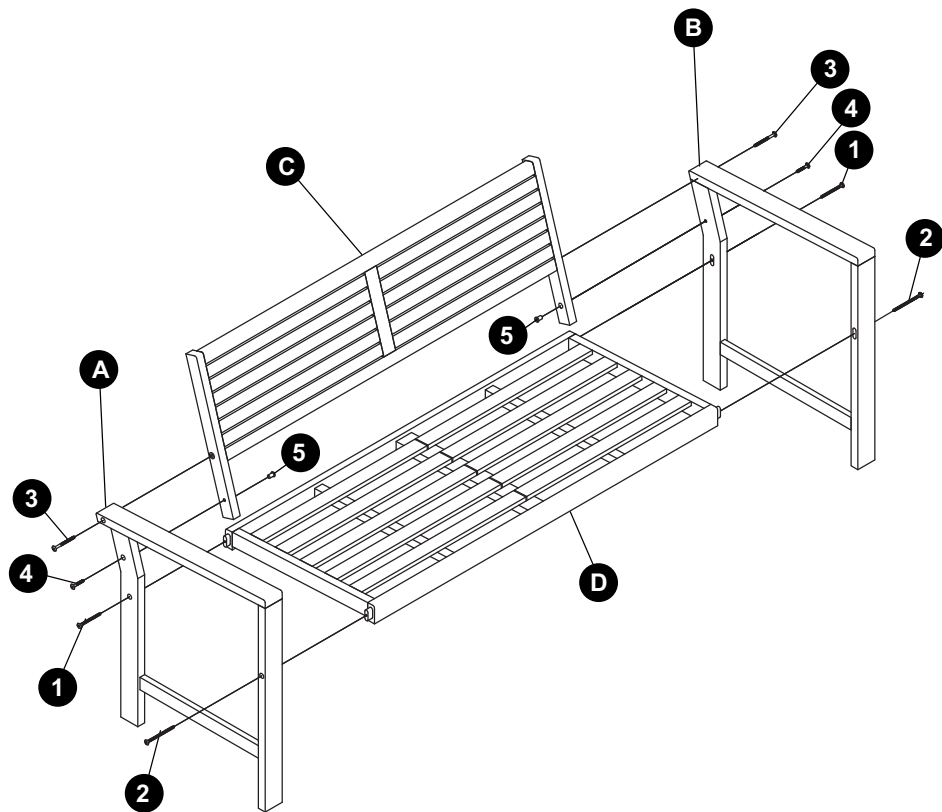
ASSEMBLY INSTRUCTIONS: 12540019/01

No	Name of Hardware	Fig	Qty
1	Screw M6 x 70 mm		2
2	Screw M6 x 90 mm		2
3	Bolt M6 x 65 mm		2
4	Bolt M6 x 35 mm		2
5	Nut		2
6	Allen Key		1



ASSEMBLY INSTRUCTIONS: 12540019/01

Step 3:



Step 4:

