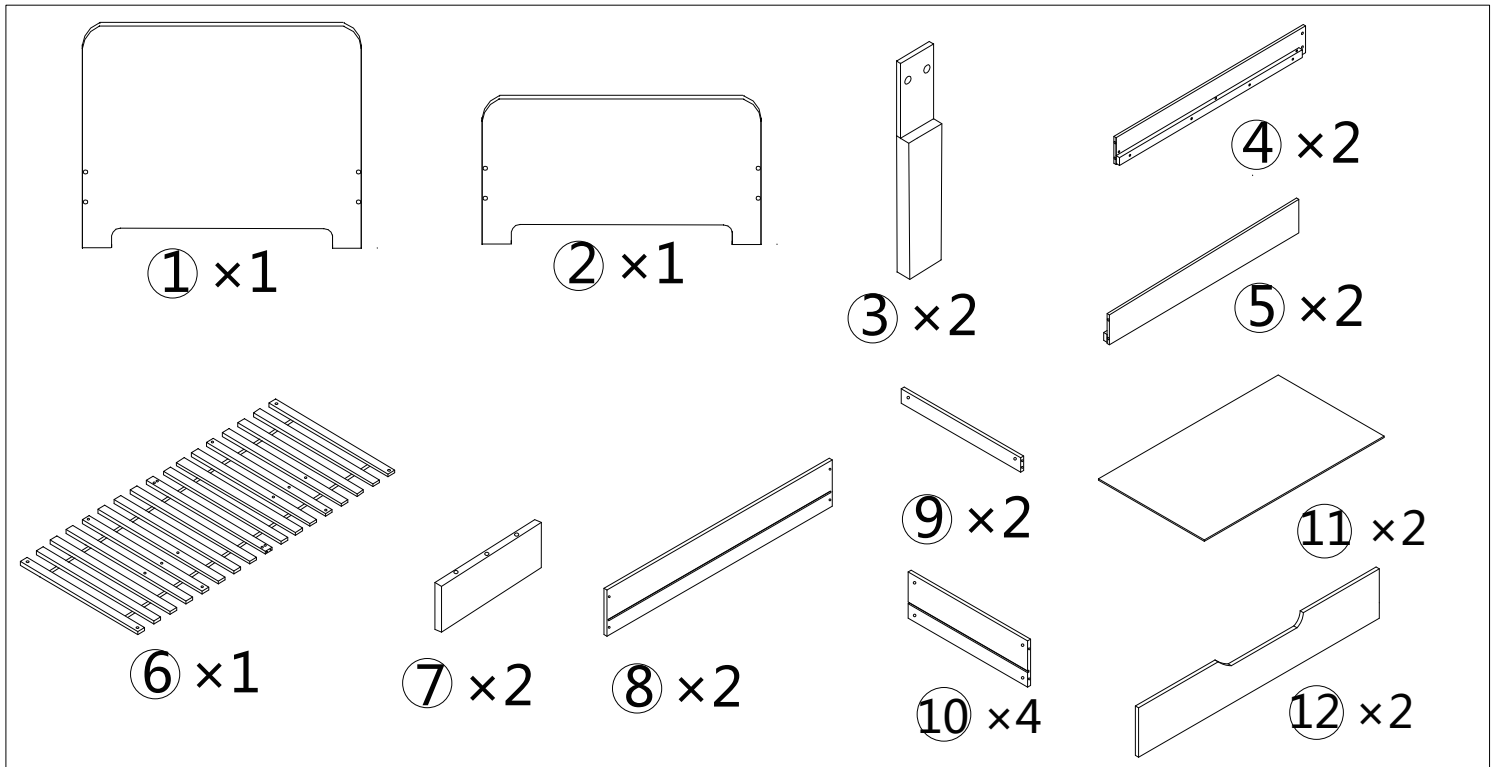
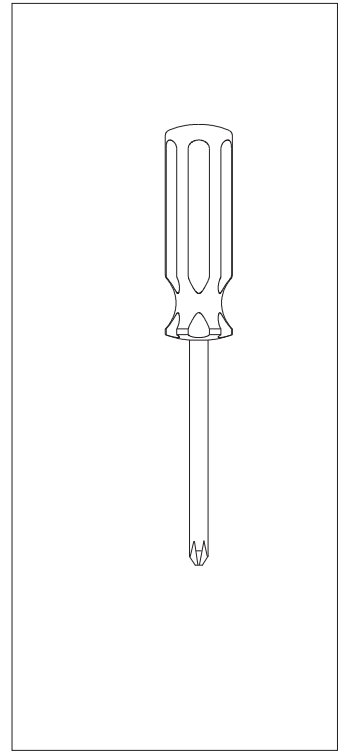
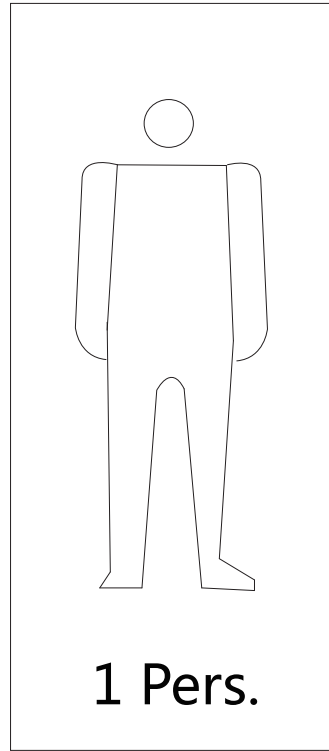
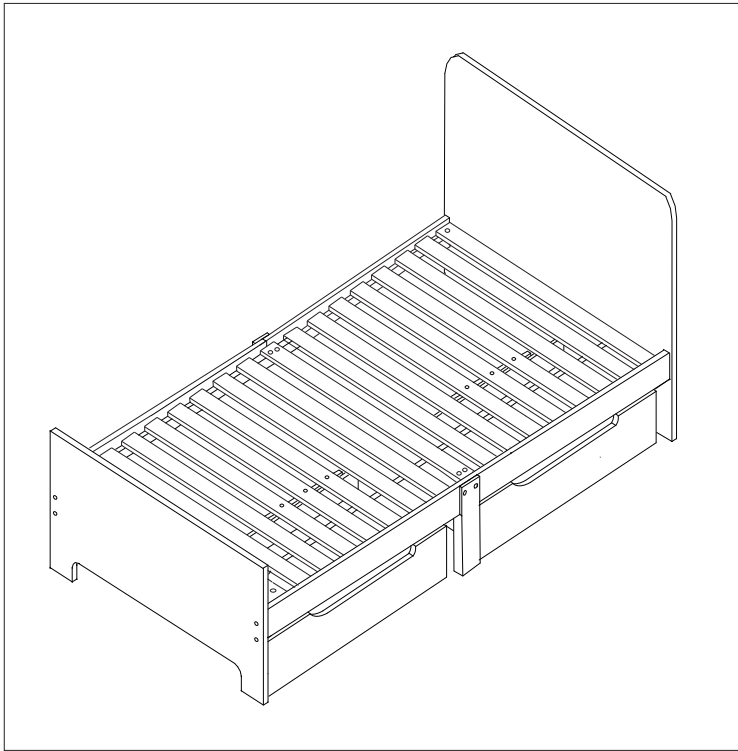





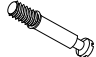






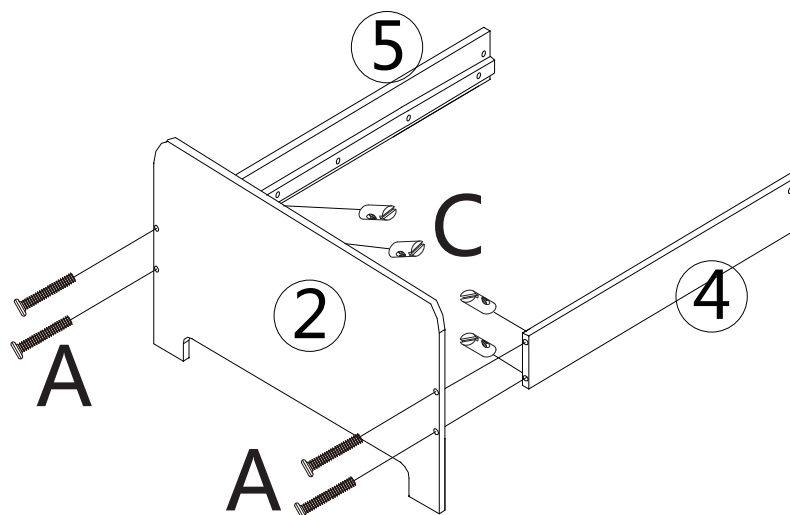
INSTRUCTION SHEET

27930002/02



 A × 8	 B × 4	 C × 12	 D × 14	 E × 4
 F × 20	 G × 20	 H × 4	 I × 8	 J × 32

1

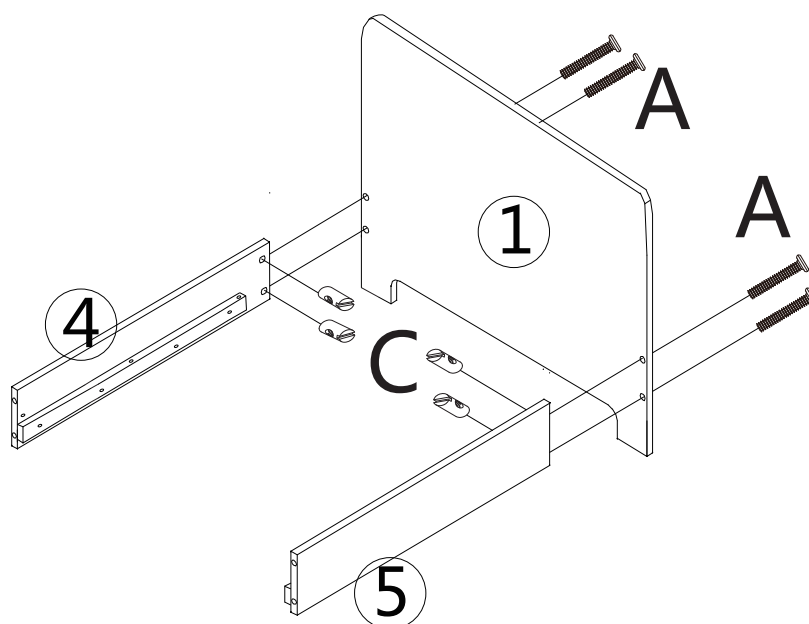


A×4



C×4

2

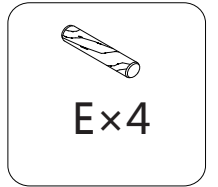
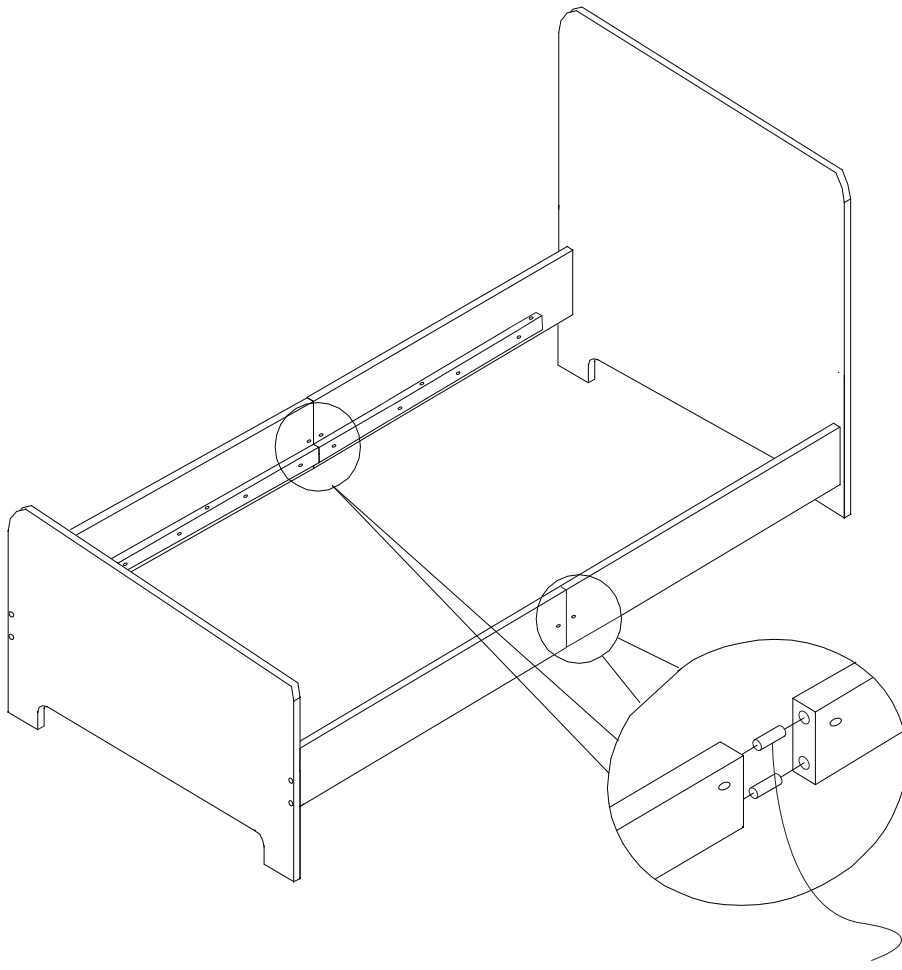


A×4

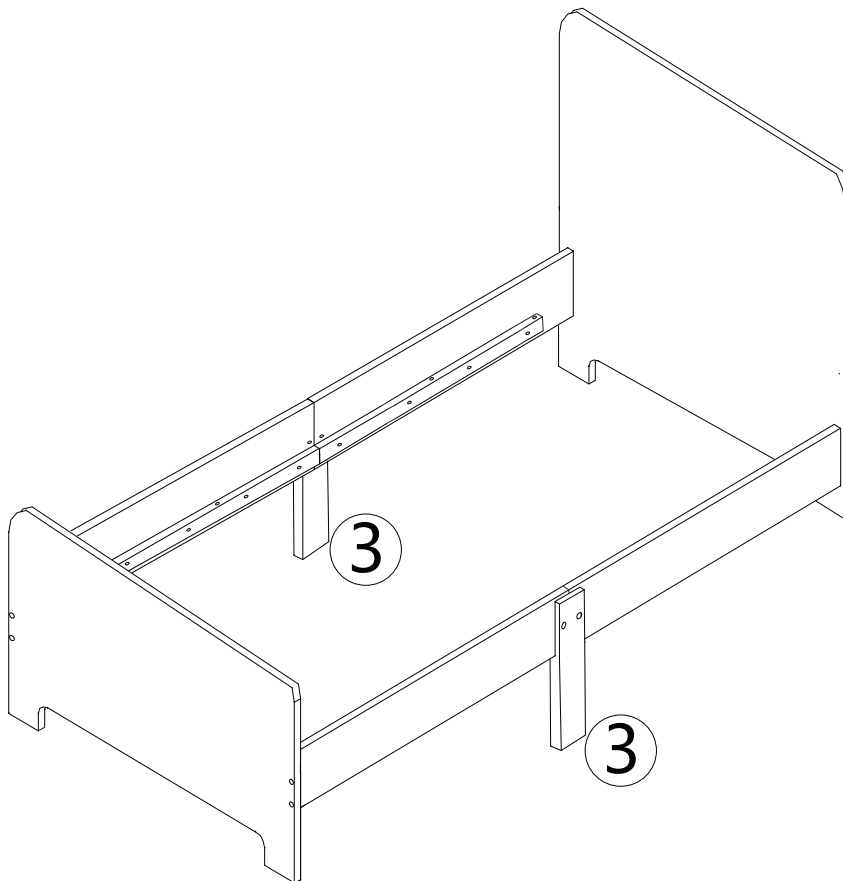


C×4

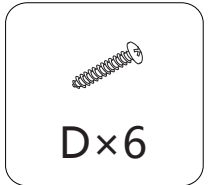
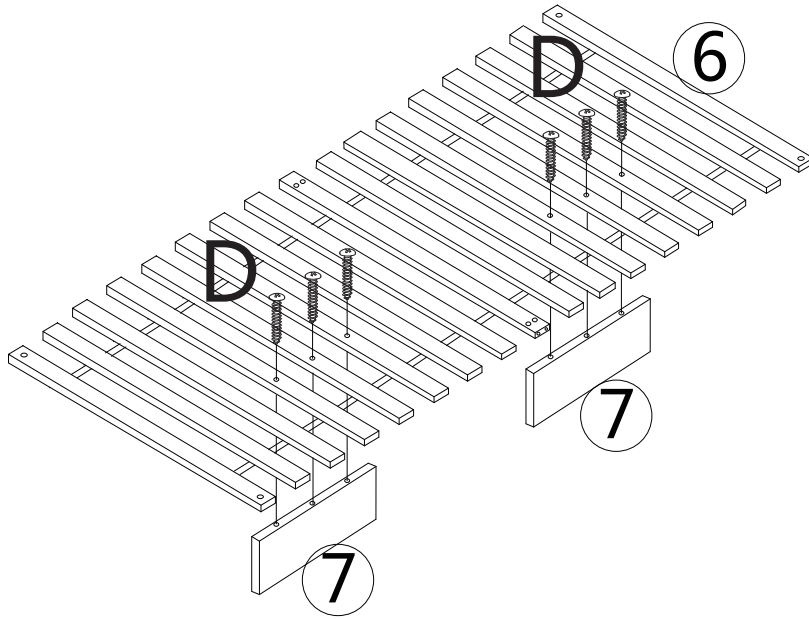
3



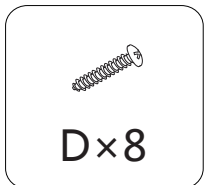
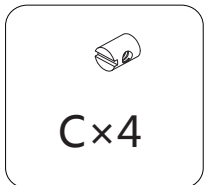
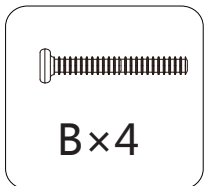
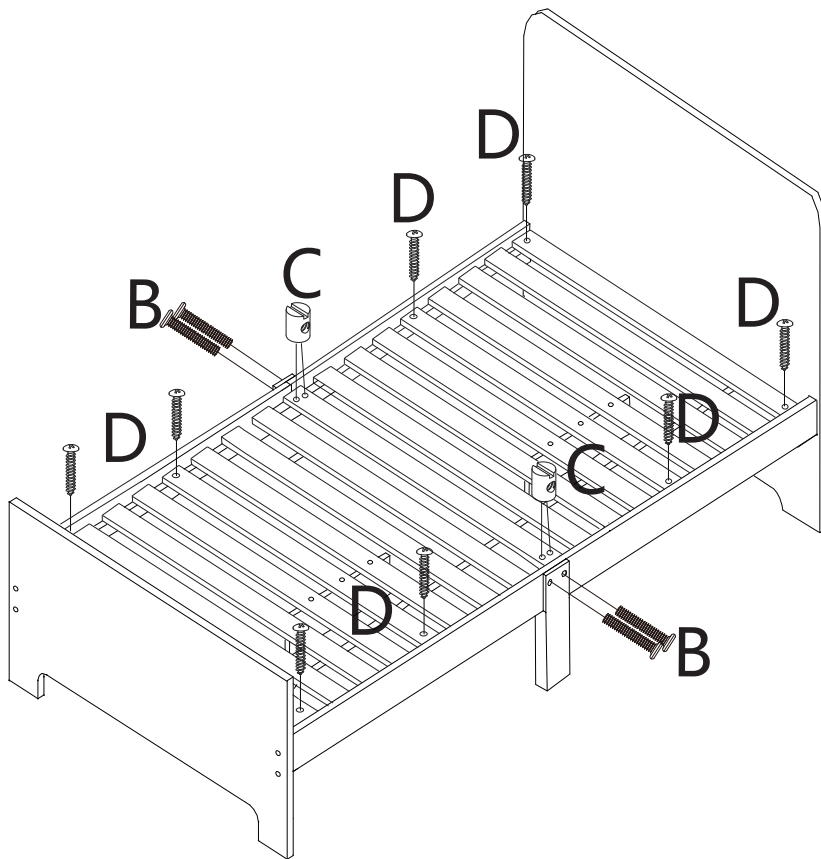
4



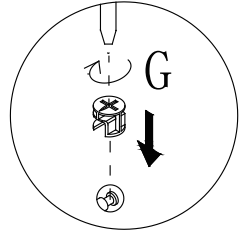
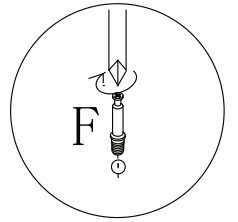
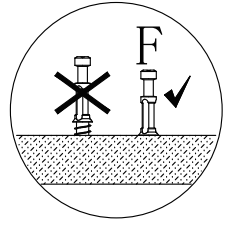
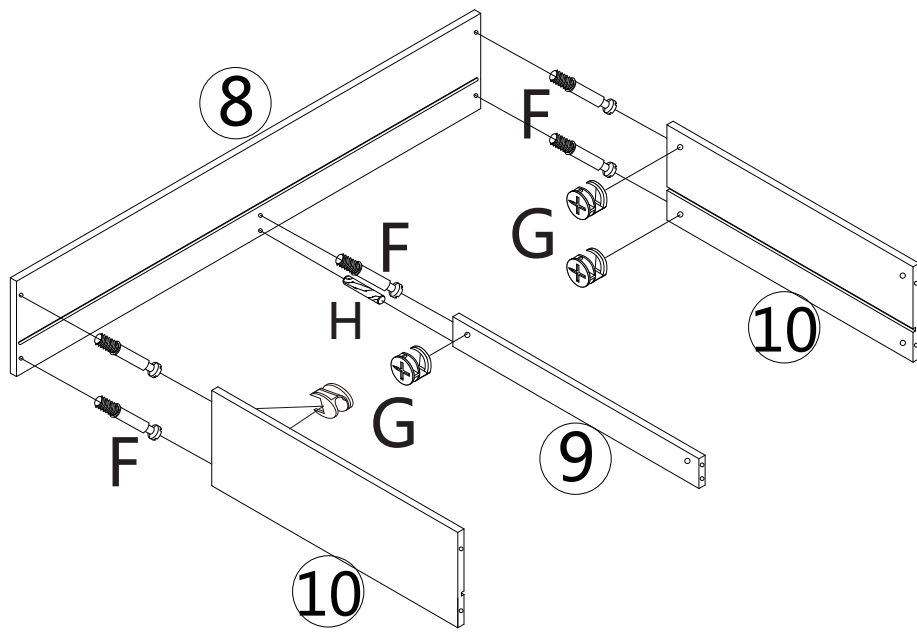
5



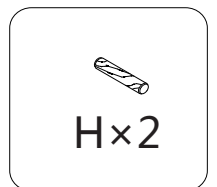
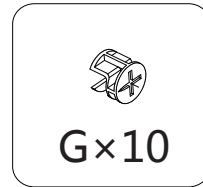
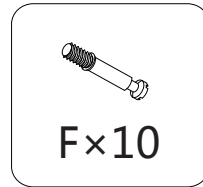
6



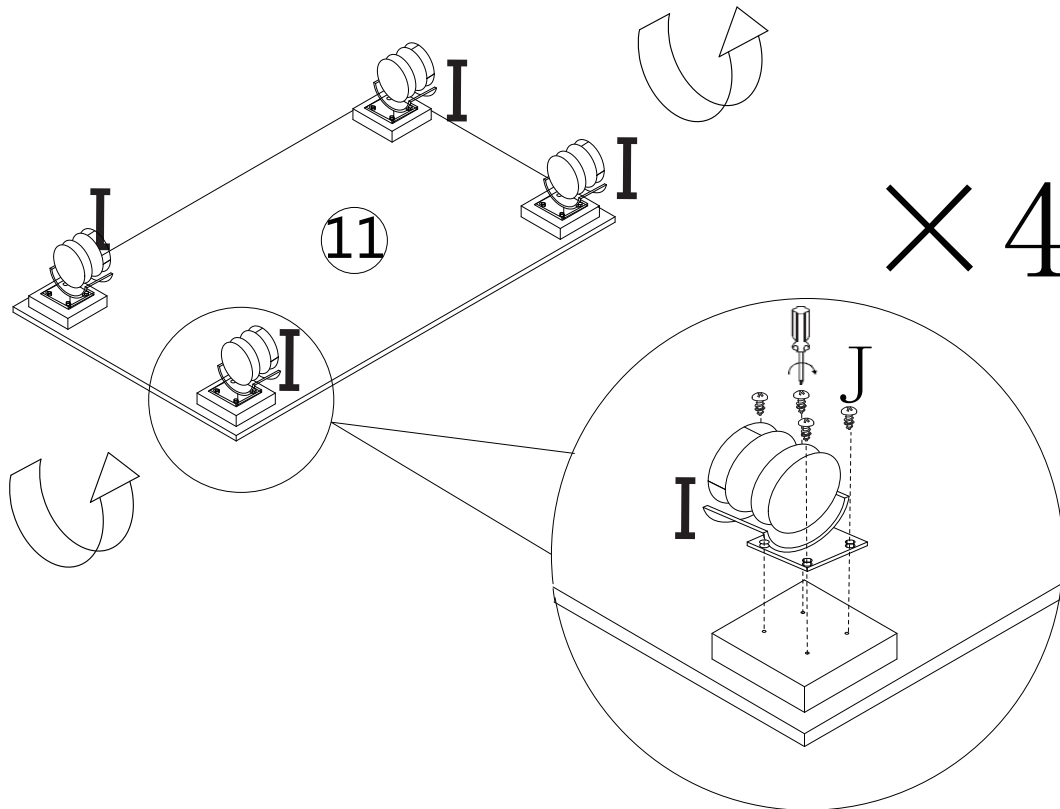
7



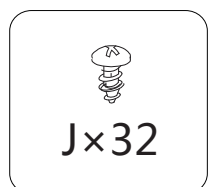
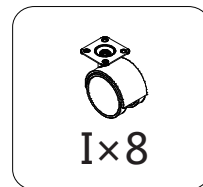
× 2



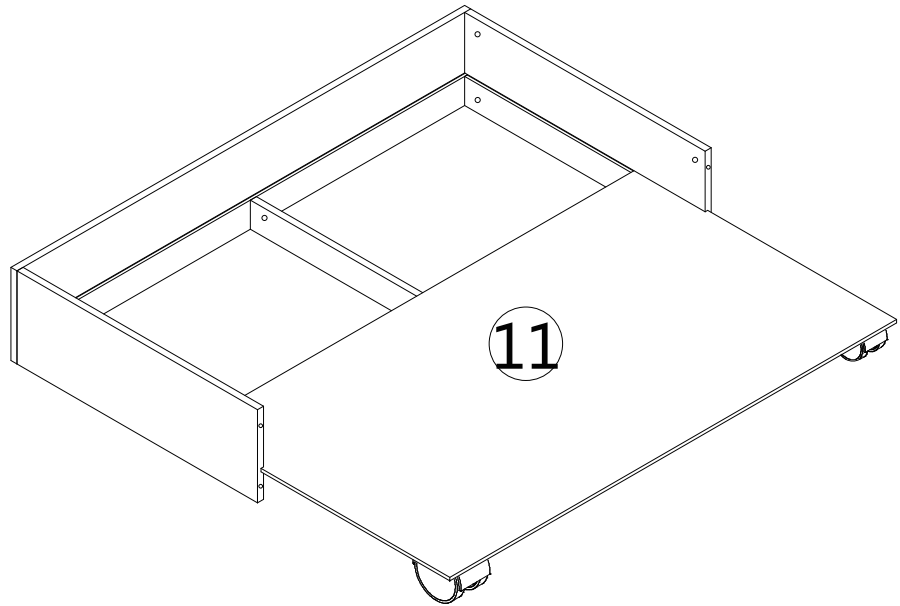
8



× 2

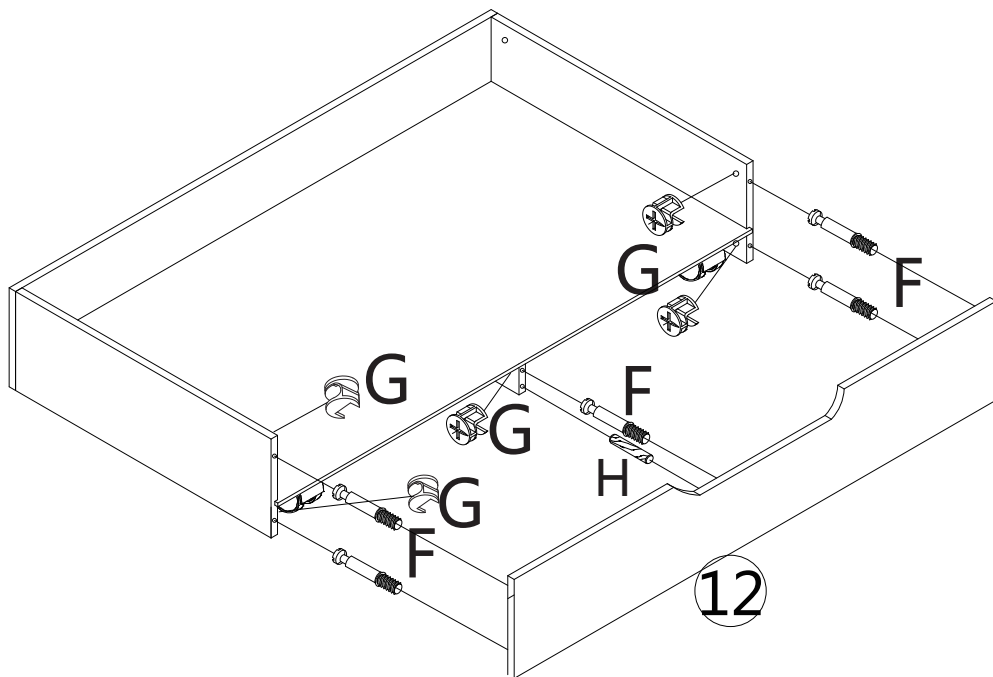


9

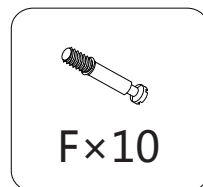


× 2

10



× 2



11

