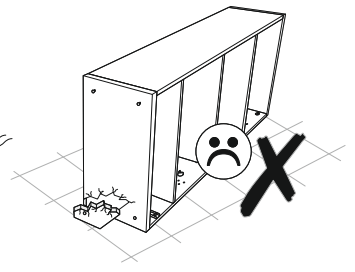
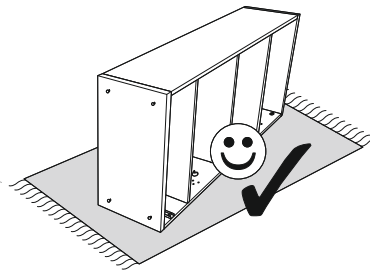
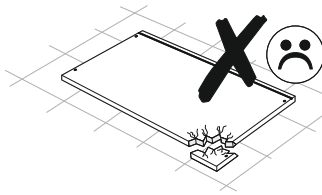
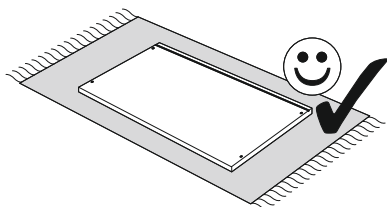
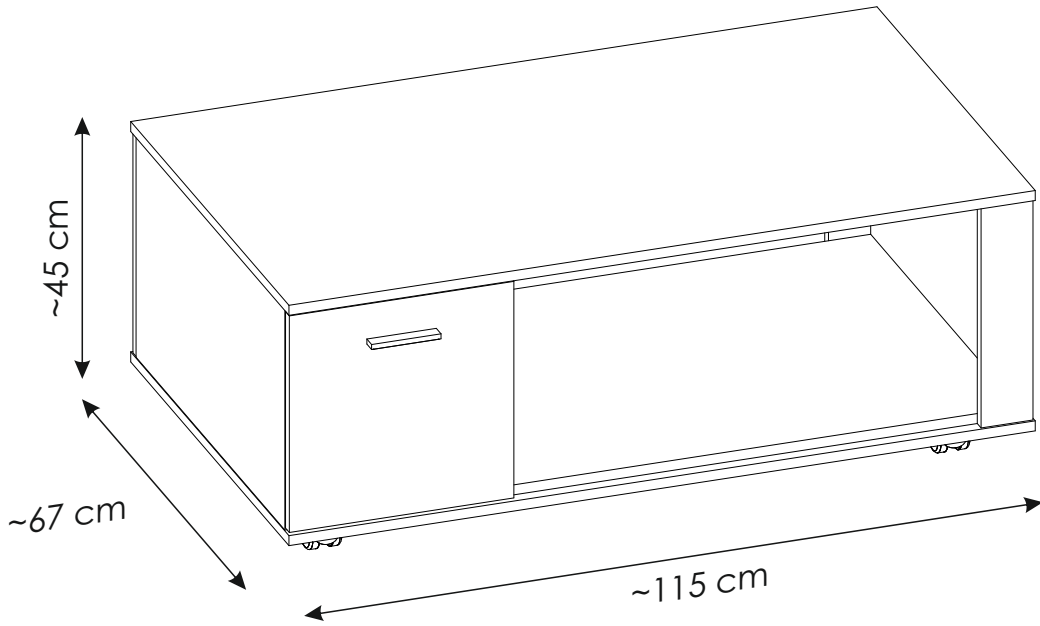
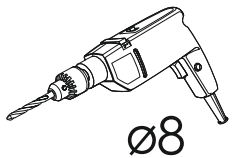
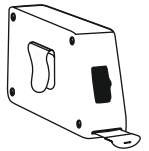
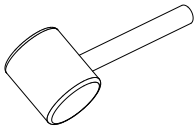
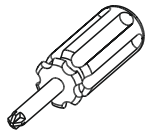
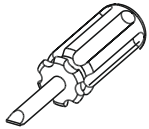
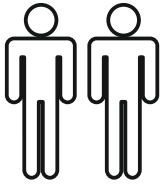
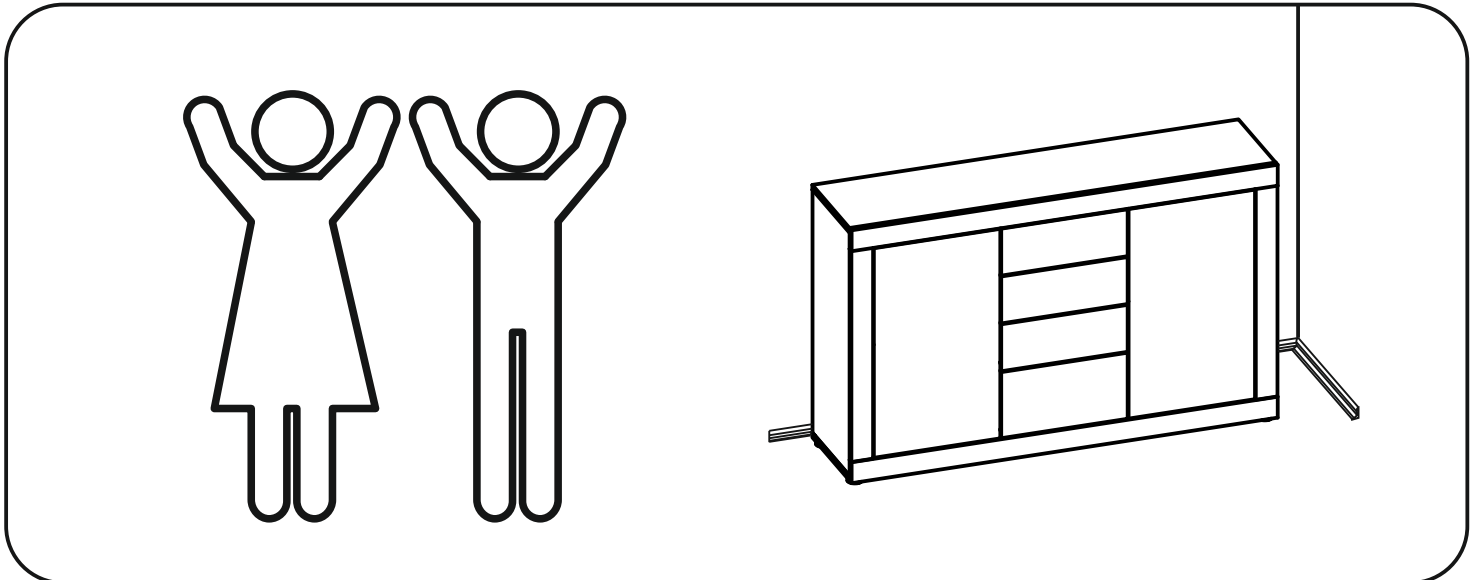
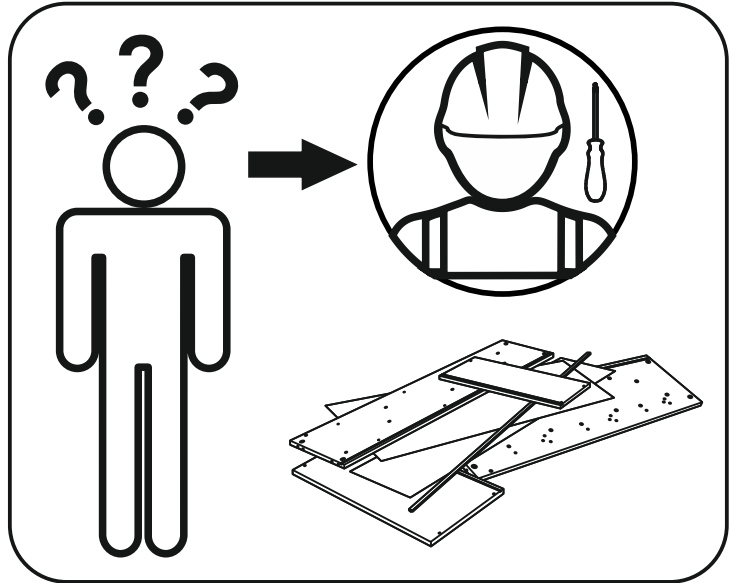
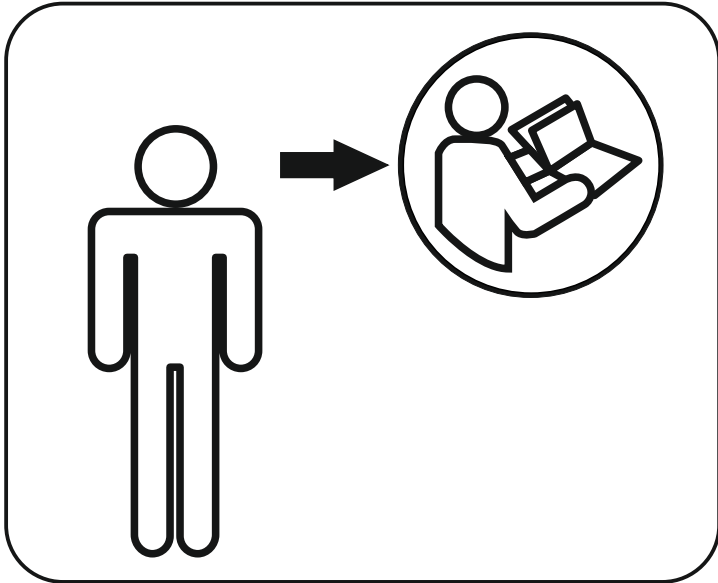
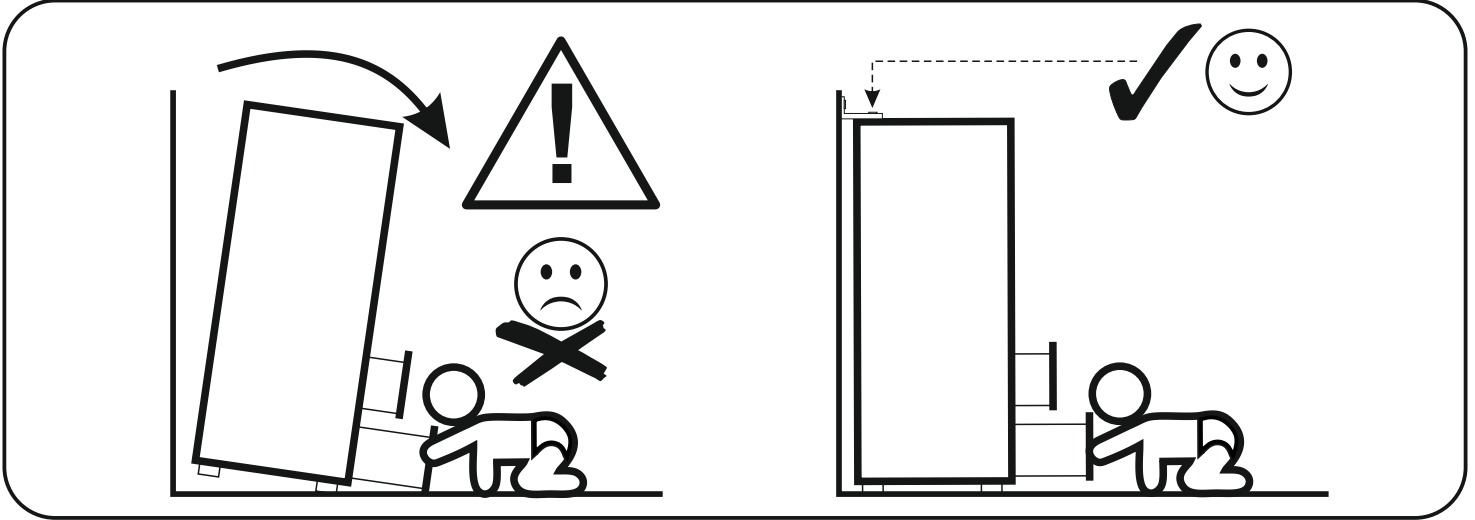
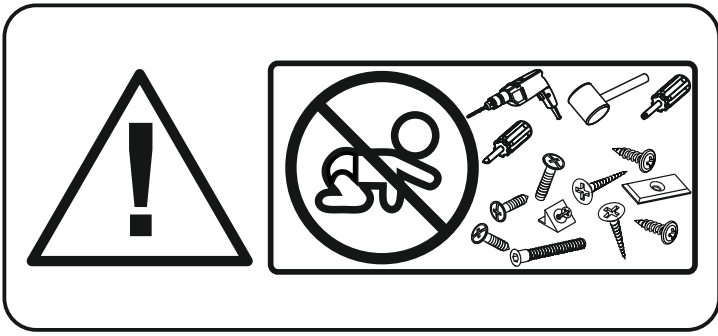
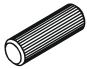

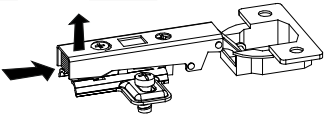

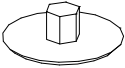

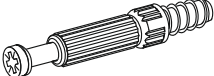
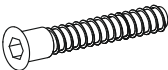


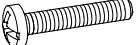
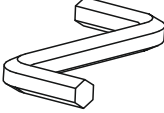

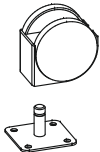
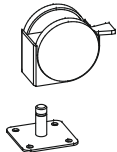


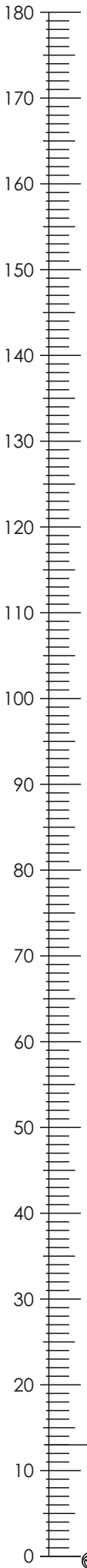
CTAT01



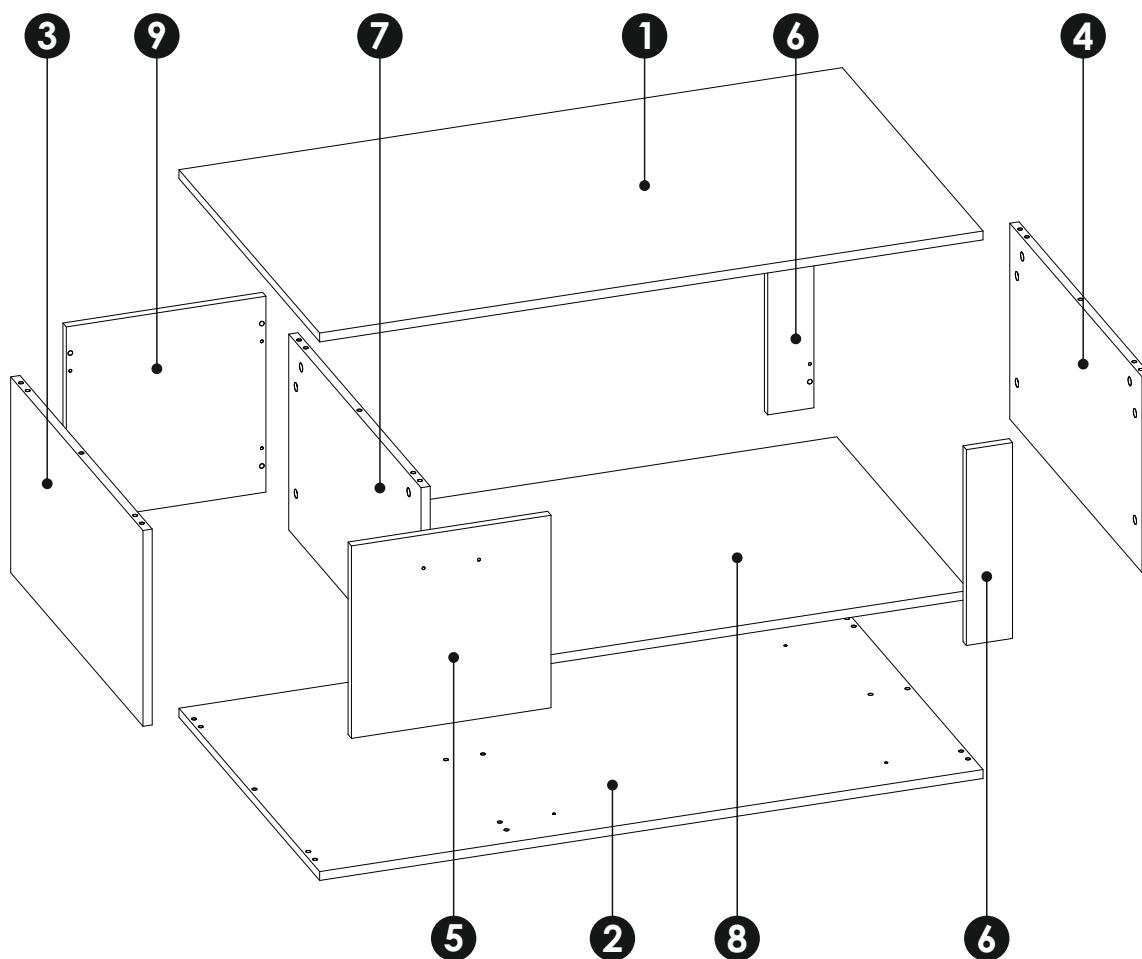
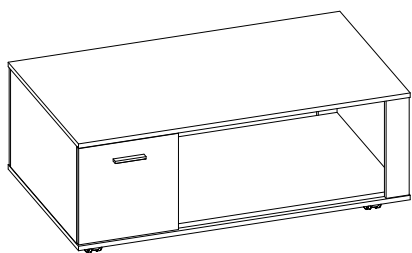


CTAT01

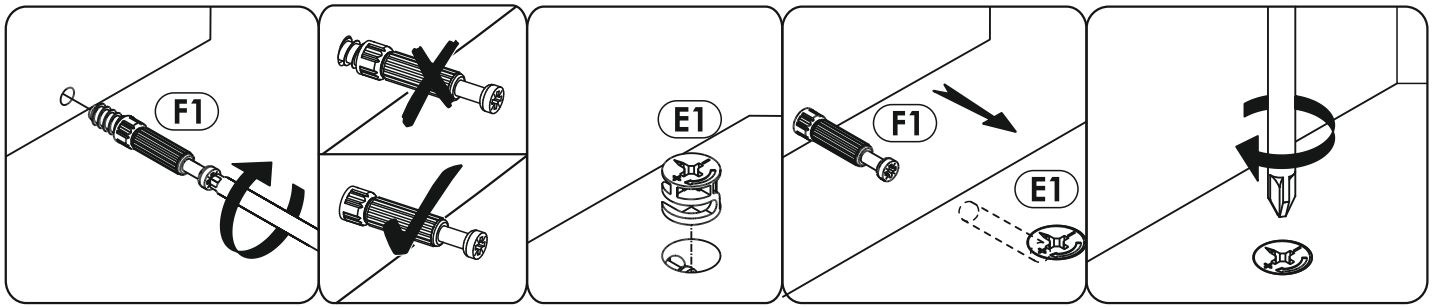
A1 8 x 35 mm x26 	A6 8 x 24 mm x2 	BC11 + BC12 x2 
C2 5 x 13 mm x4 	E0 Ø16 x14 	E1 15 x 12 mm x14 
F1 6 x 34 mm x14 	G1 7 x 50 mm x6 	H1 L-107mm x1 
I2 4 x 16 mm x16 	K7 4 x 22 mm x2 	M x1 
N13 4 x 25 mm x4 	O14 + O13 x2 	O16 + O13 x2 



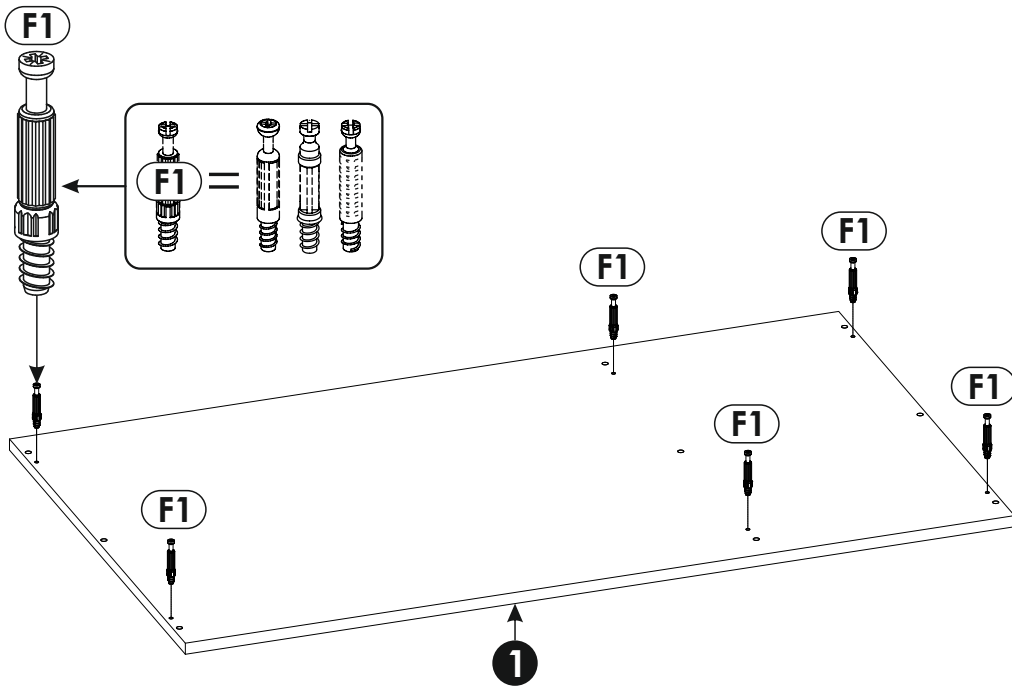
CTAT01



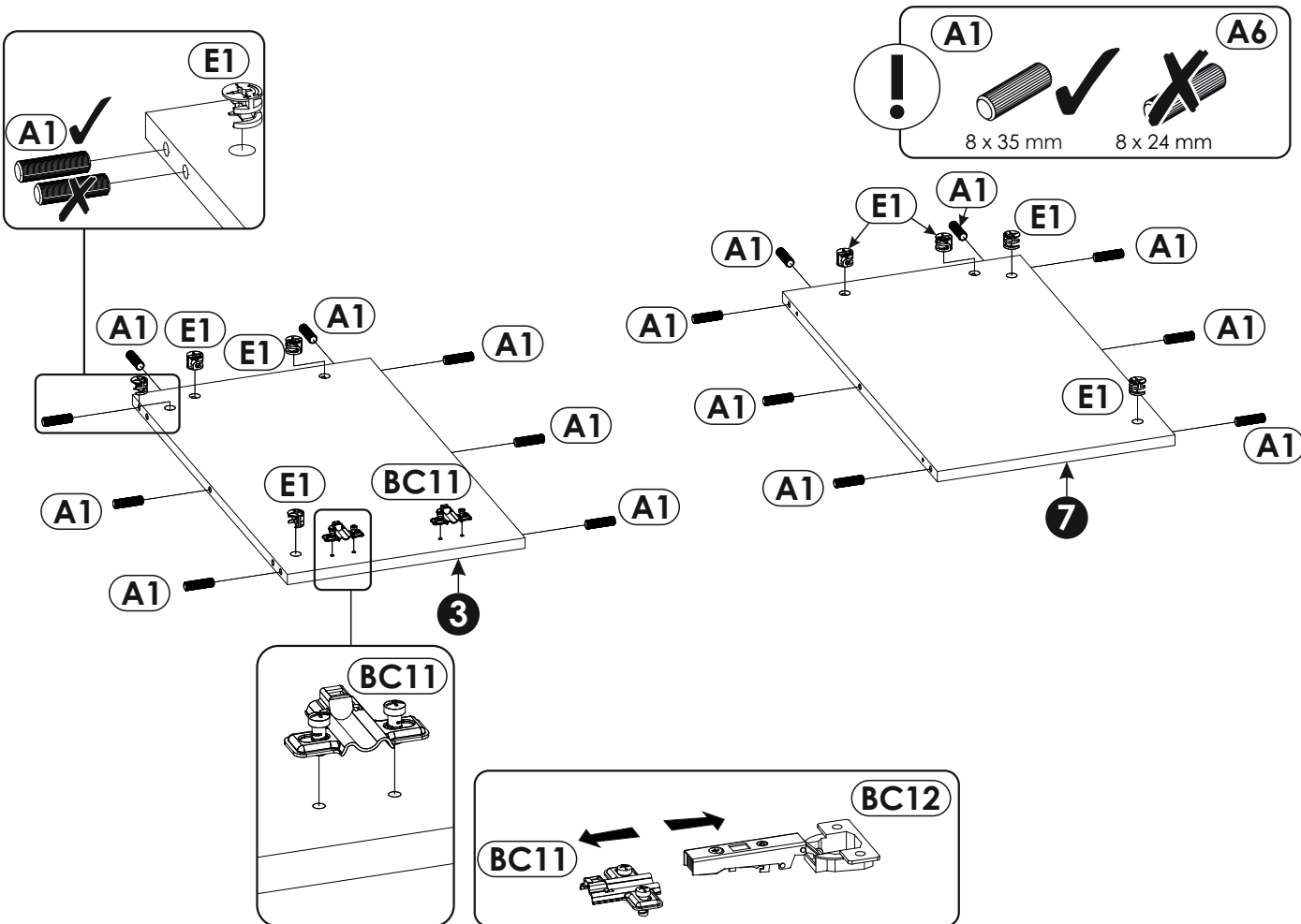
1	1150	670	16	x1	2/2
2	1150	670	16	x1	2/2
3	630	352	16	x1	1/2
4	630	352	16	x1	1/2
5	346	346	16	x1	1/2
6	352	80	16	x2	1/2
7	630	352	16	x1	1/2
8	784	630	16	x1	1/2
9	352	346	16	x1	1/2



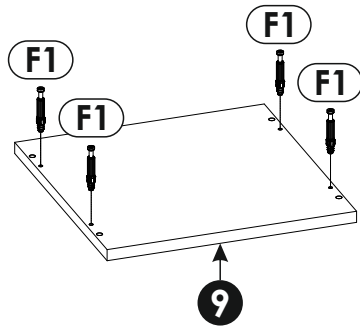
1 ▶



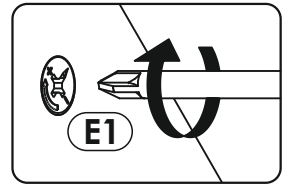
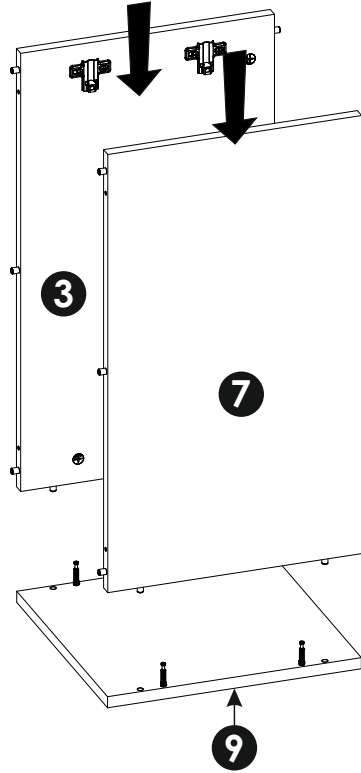
2 ▶



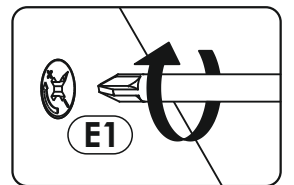
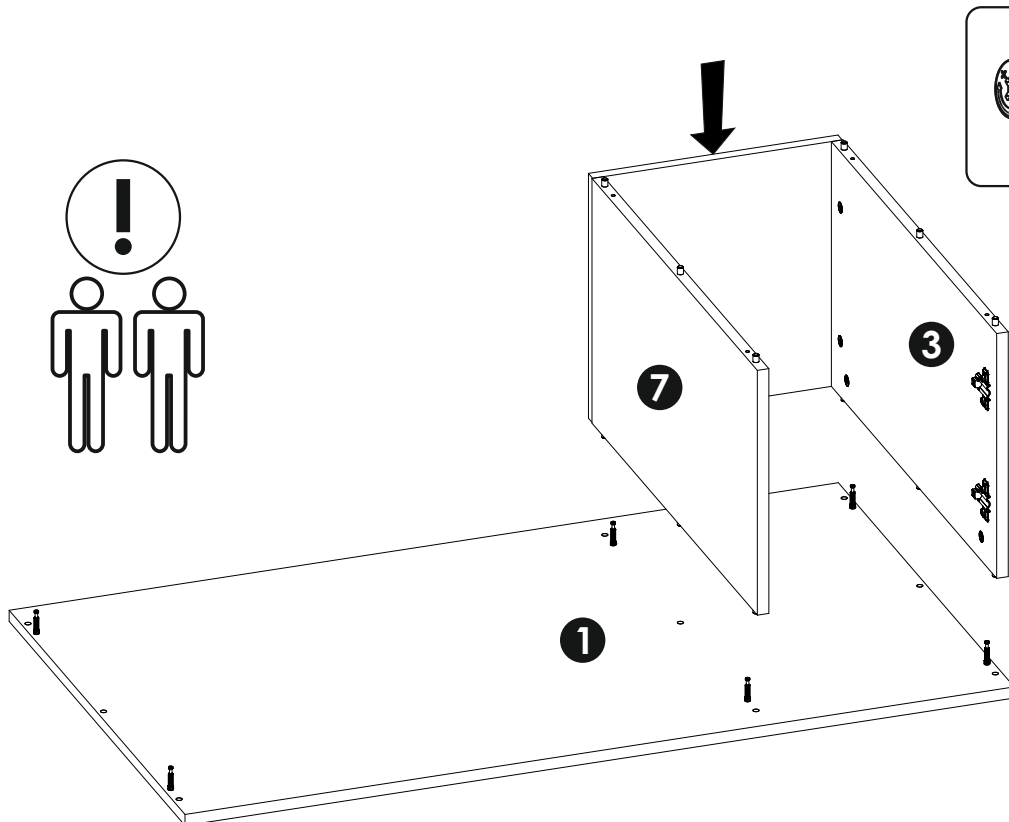
3 ▶



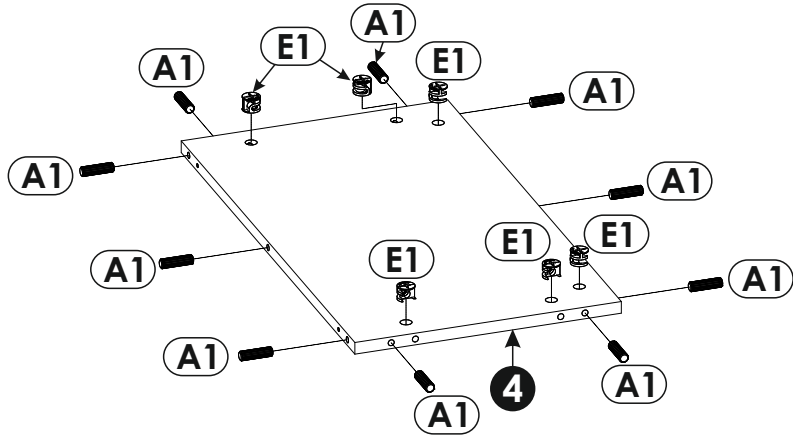
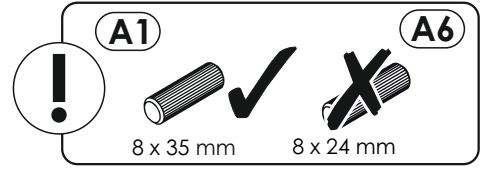
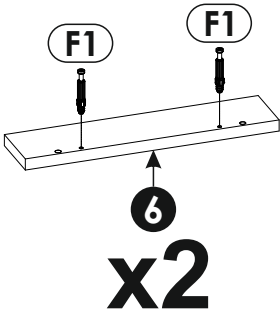
4 ▶



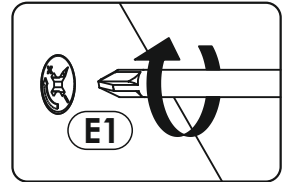
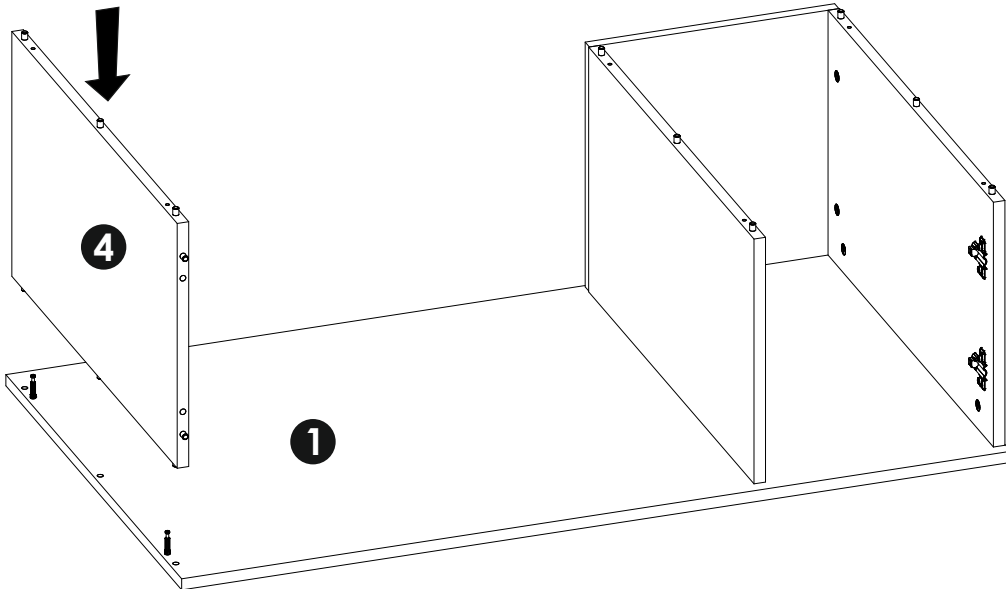
5 ▶



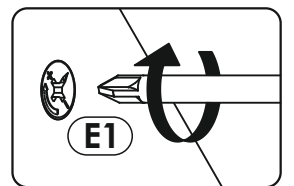
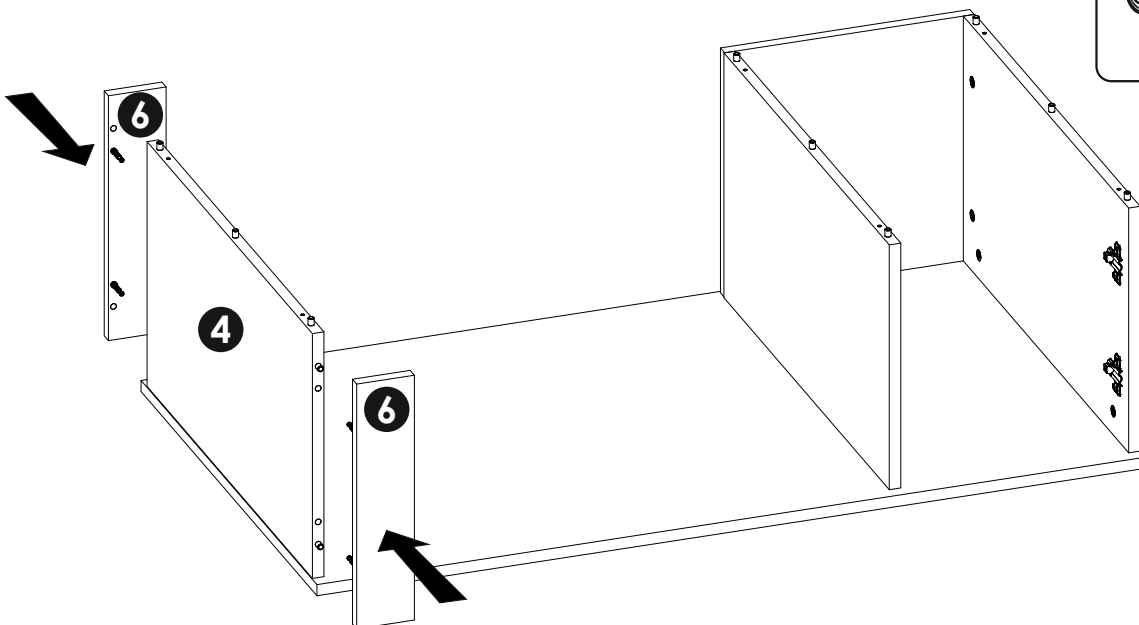
6 ▶

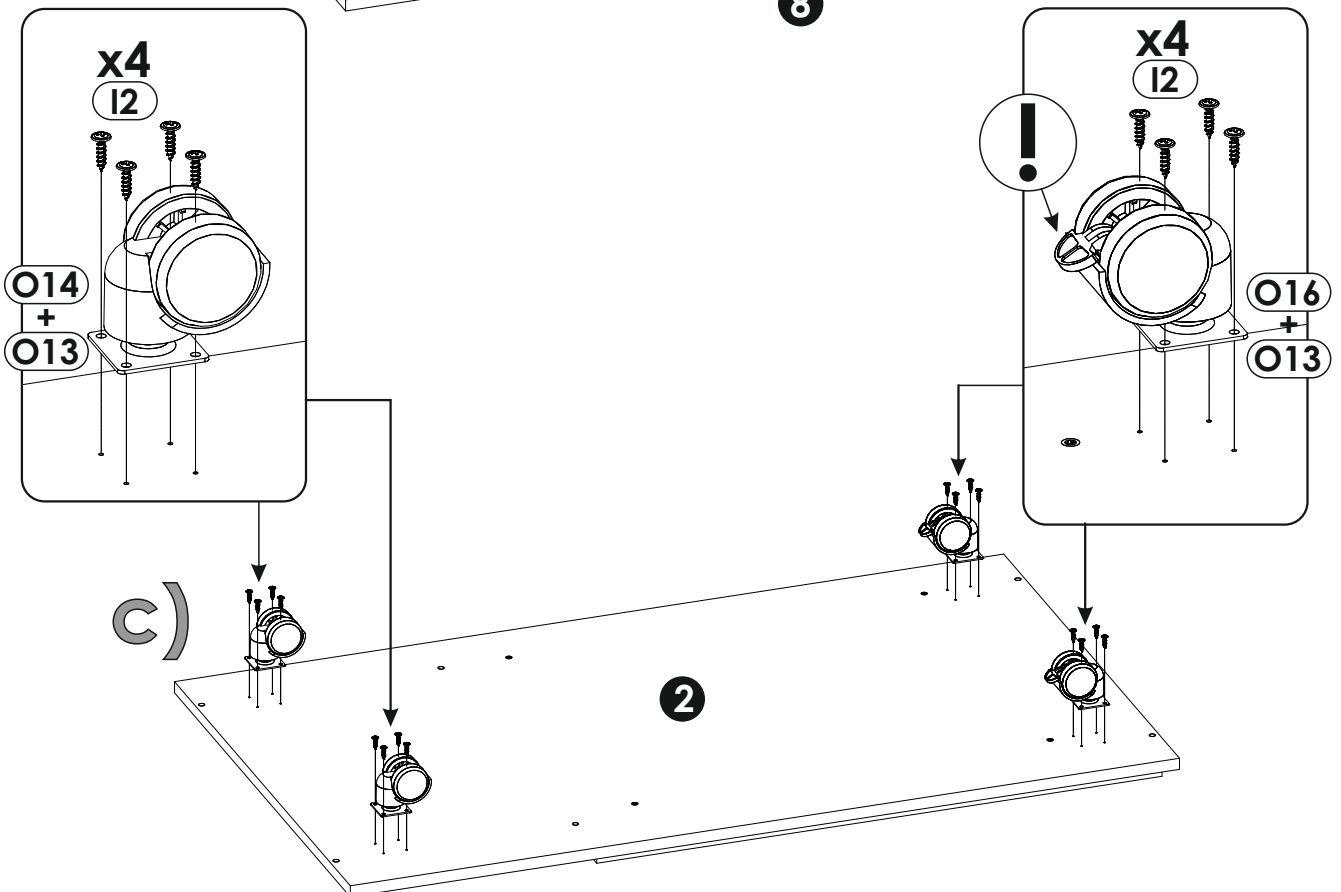
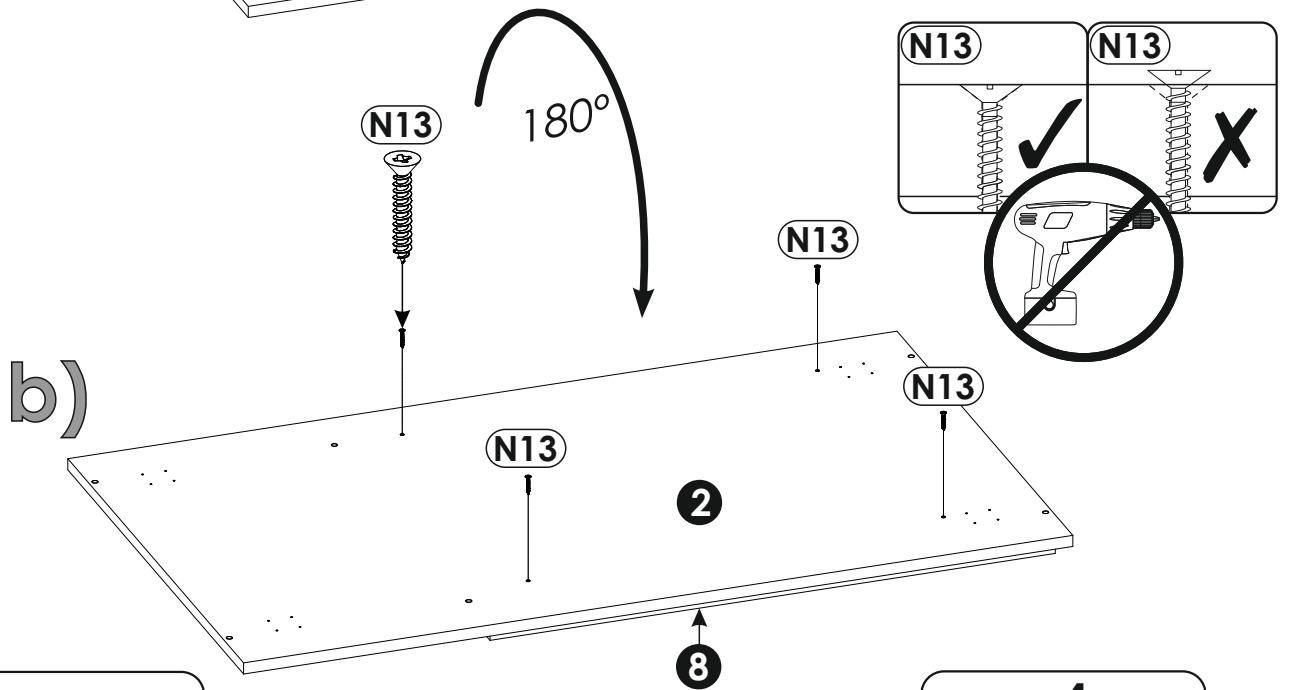
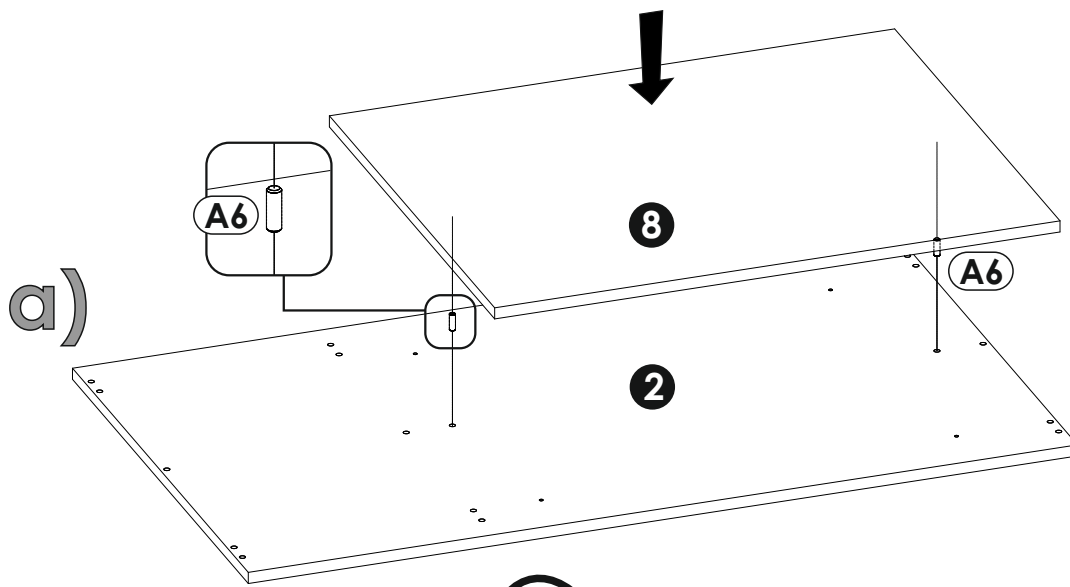


7 ▶

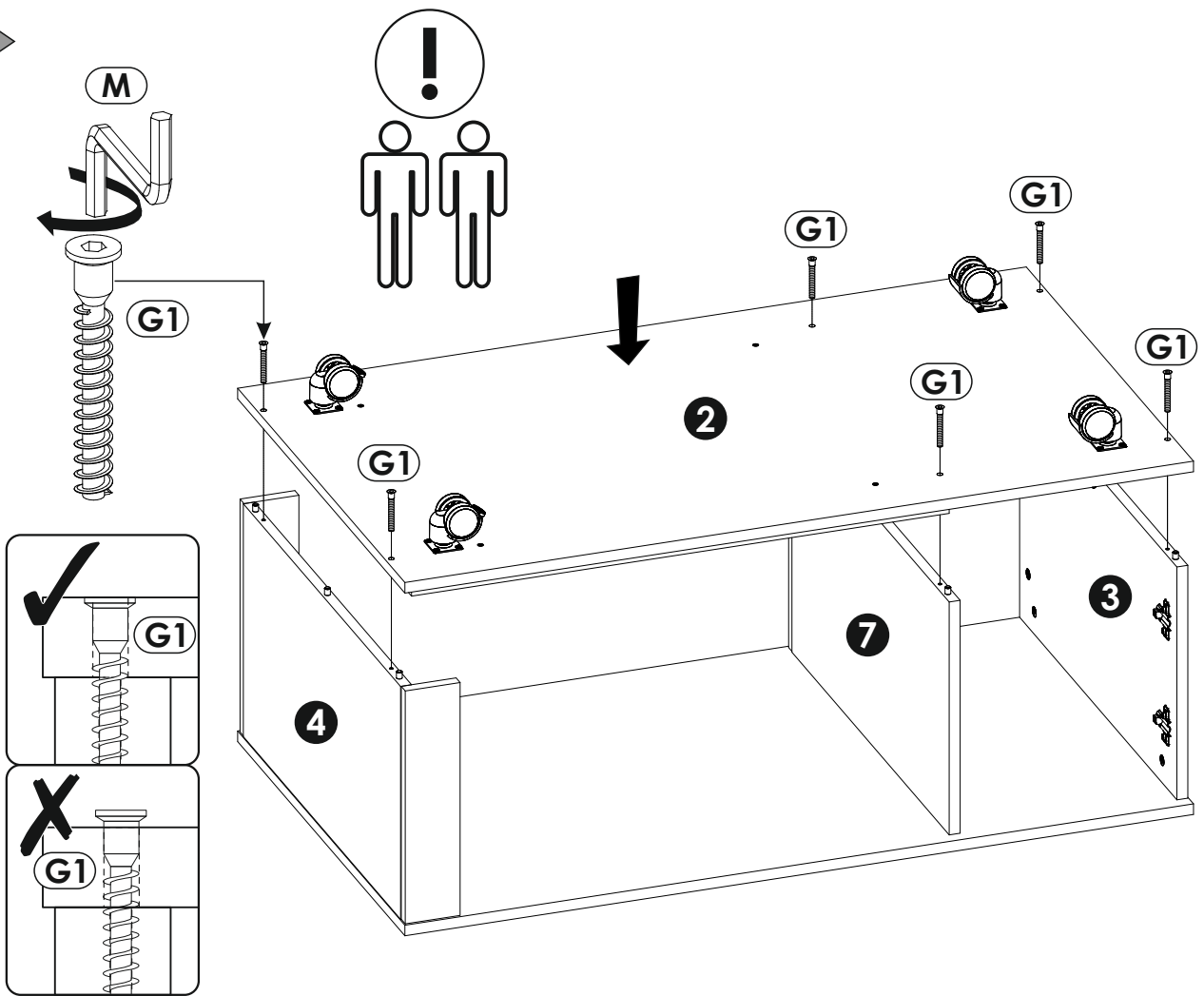


8 ▶

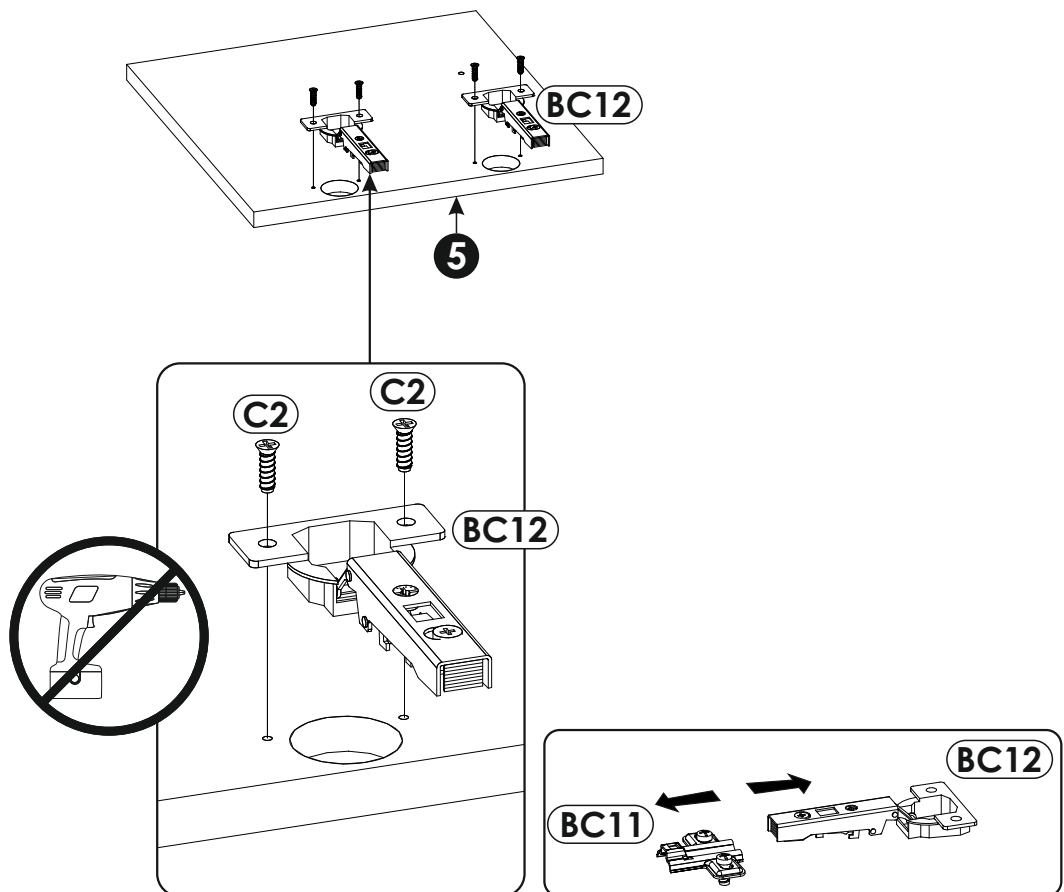




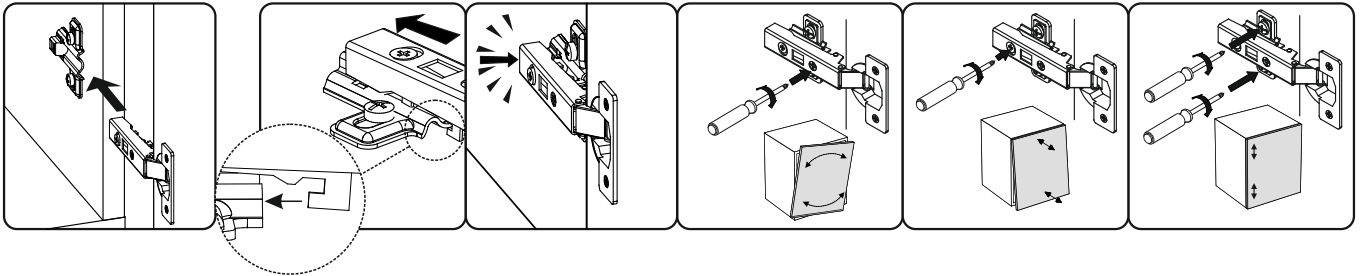
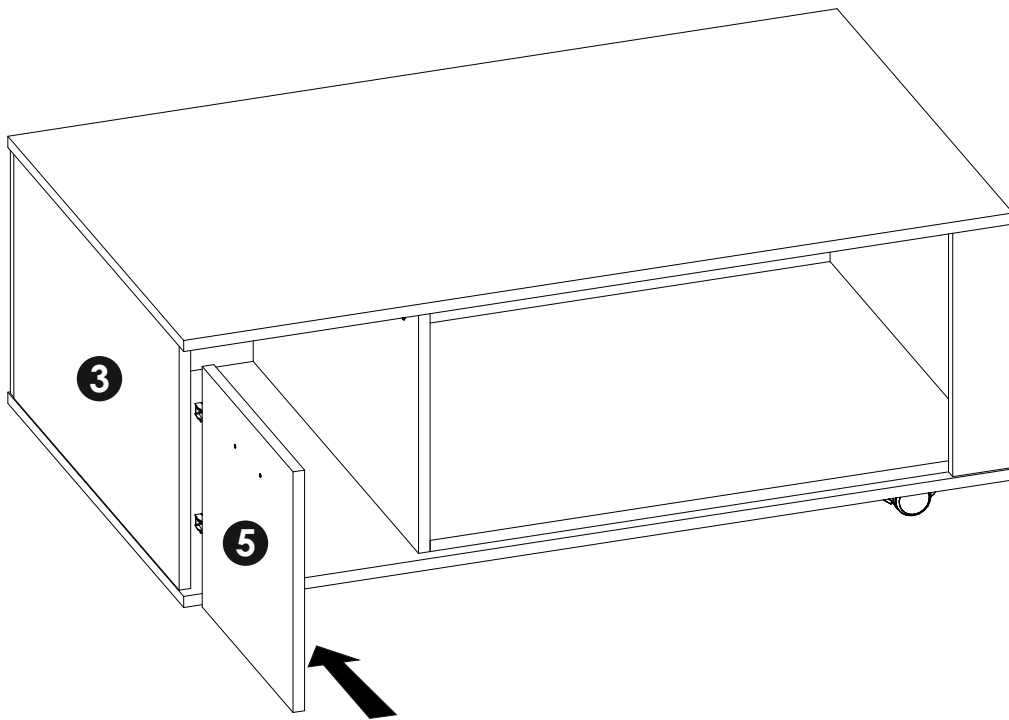
10 ▶



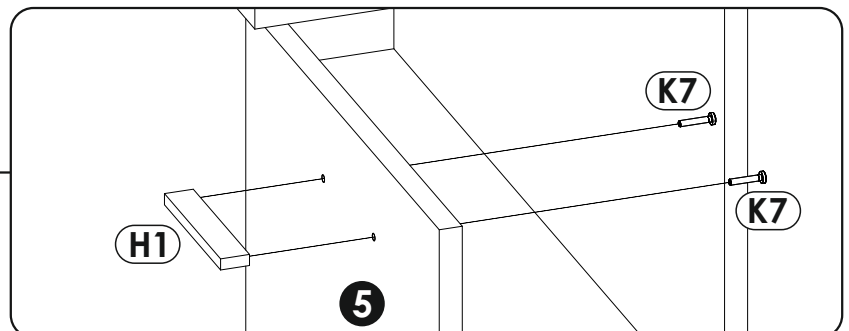
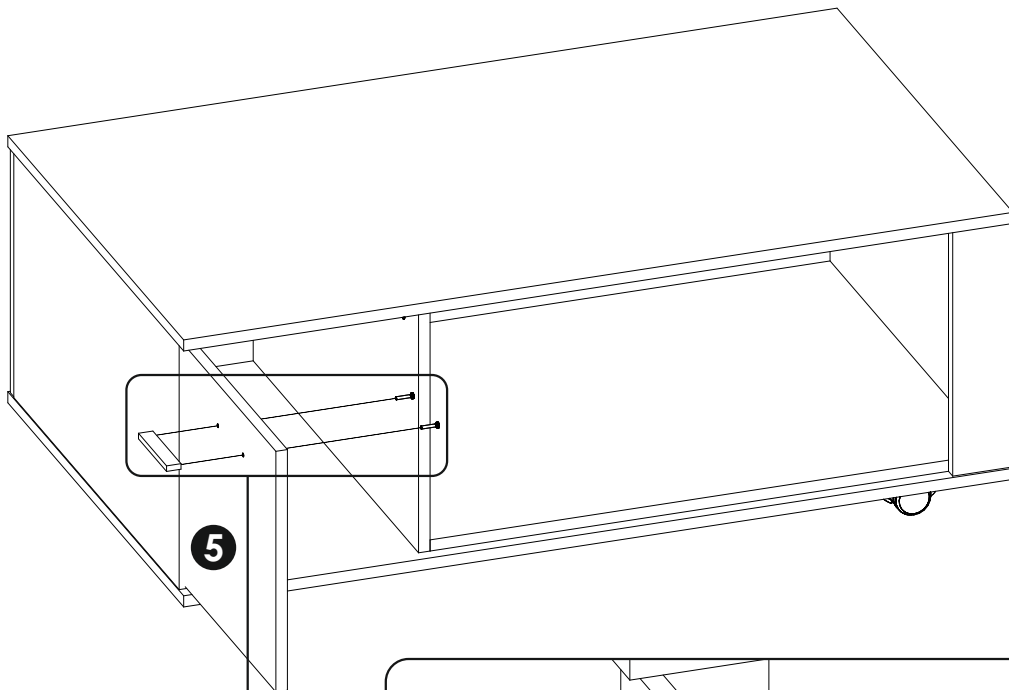
11 ▶



12▶



13▶



14▶

