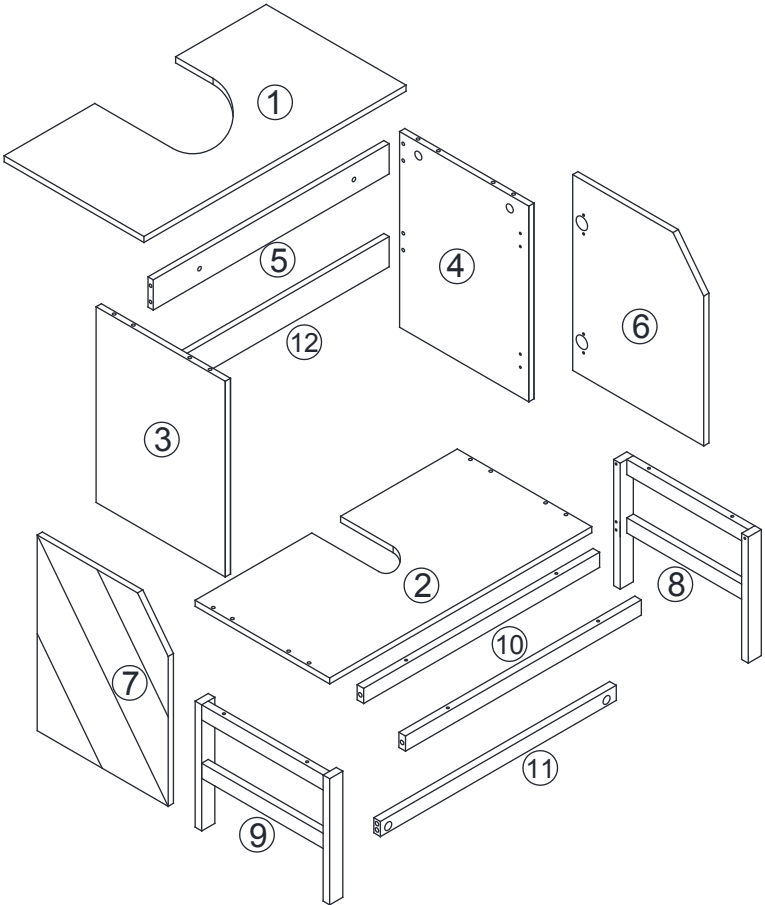
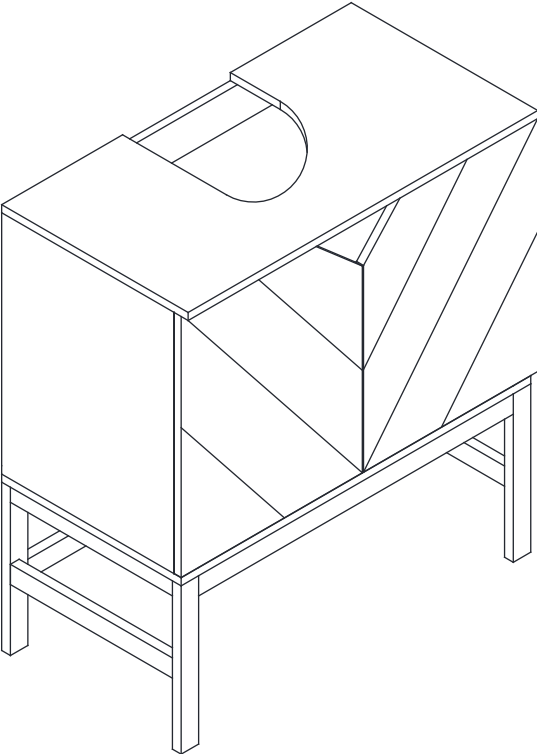
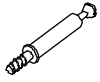


03350025/02



Hardware:



(A) Cam lock: 14pcs



(B) Cam bolt: 14pcs



(C) Screw: 12pcs



(D) Wooden Dowel: 16pcs



(E) Hinge: 4pcs



(F) Screw: 16pcs



(G) Shelf Support: 2pcs



(H) Shelf Support: 2pcs

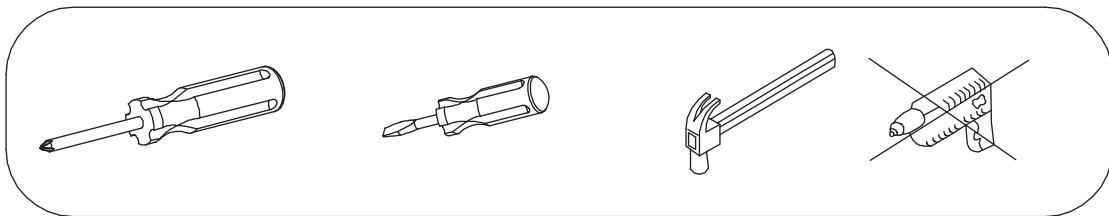


(I) Shelf Support: 4pcs



(J) Shelf Support: 4pcs

Assembly auxiliary tools:



Quickfit:

