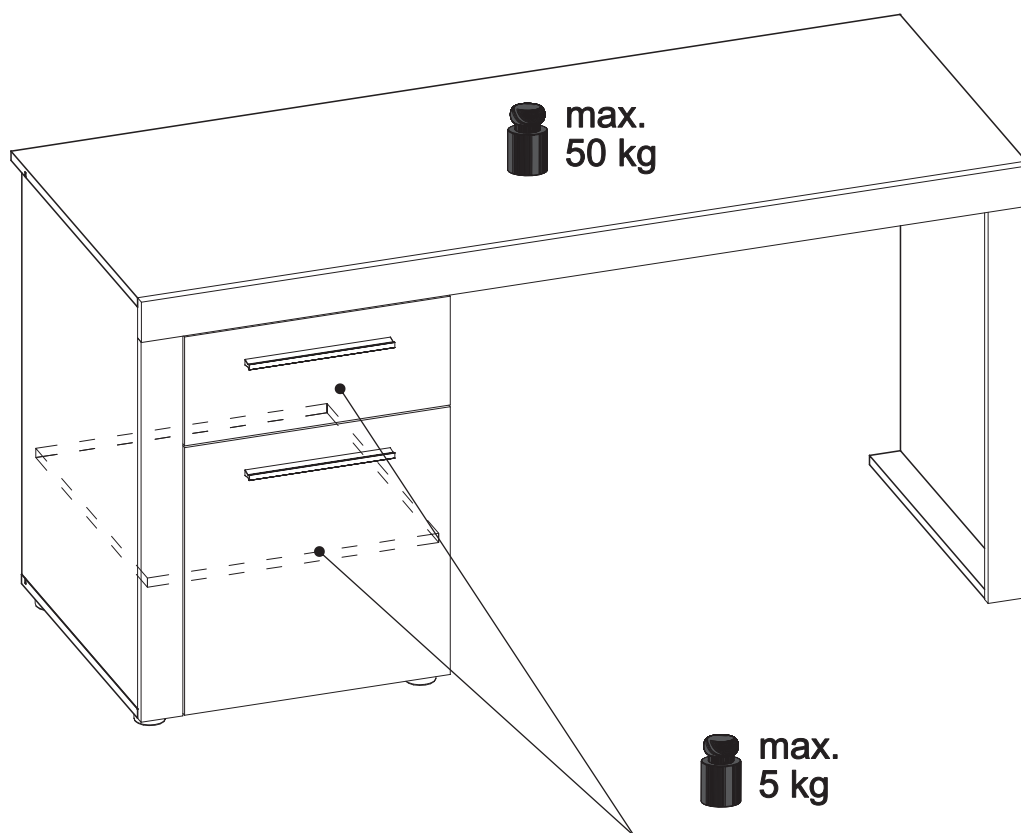
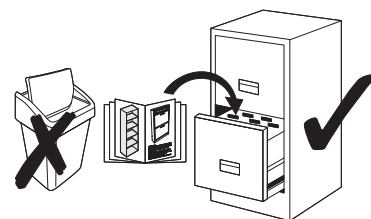


FOCUS FCB01

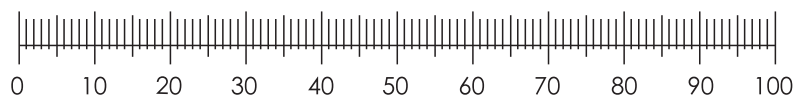
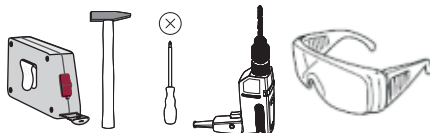
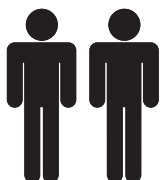
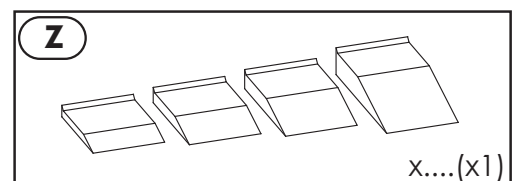
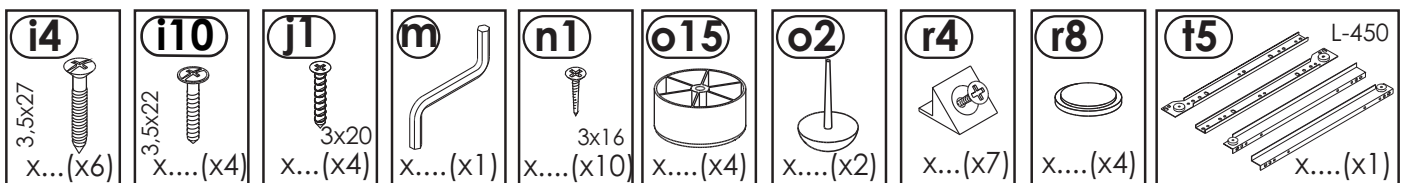
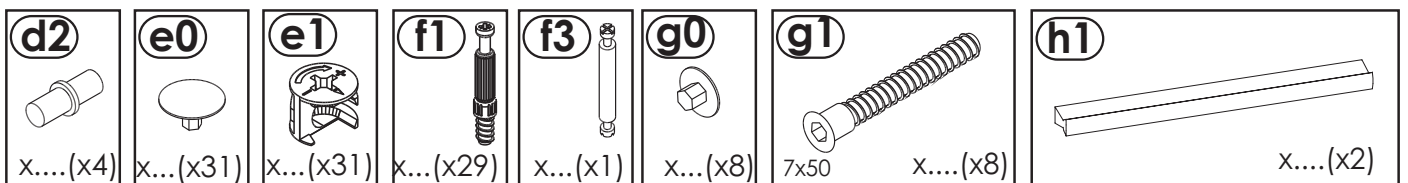
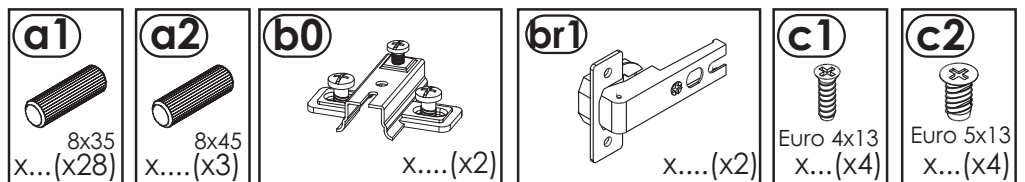
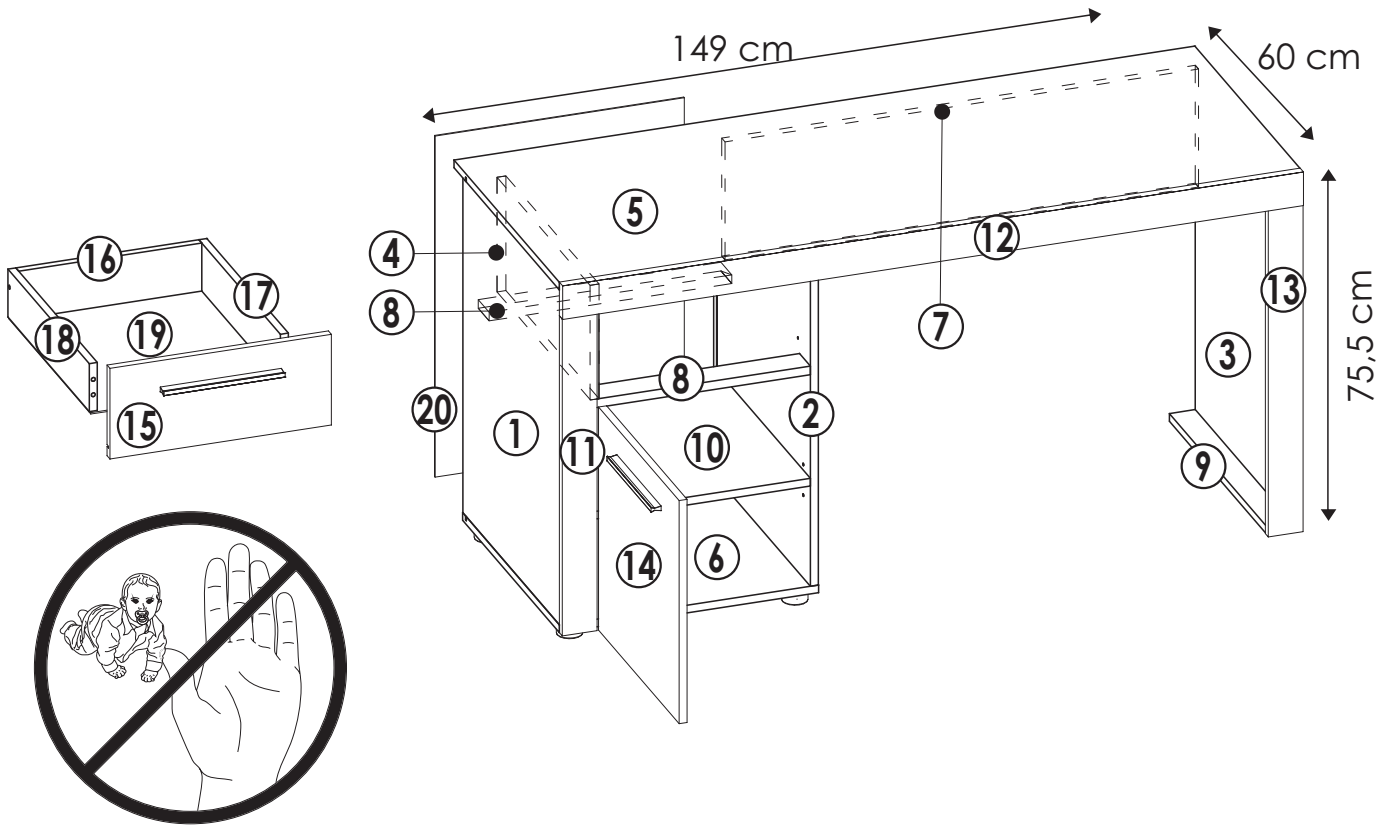


- | | | | |
|--------|--------|--------|--------|
| ① - C2 | ⑥ - C1 | ⑪ - C2 | ⑯ - C1 |
| ② - C2 | ⑦ - C2 | ⑫ - C2 | ⑰ - C1 |
| ③ - C1 | ⑧ - C2 | ⑬ - C2 | ⑱ - C1 |
| ④ - C1 | ⑨ - C2 | ⑭ - C1 | ⑲ - C1 |
| ⑤ - C2 | ⑩ - C1 | ⑮ - C1 | ⑲ - C1 |

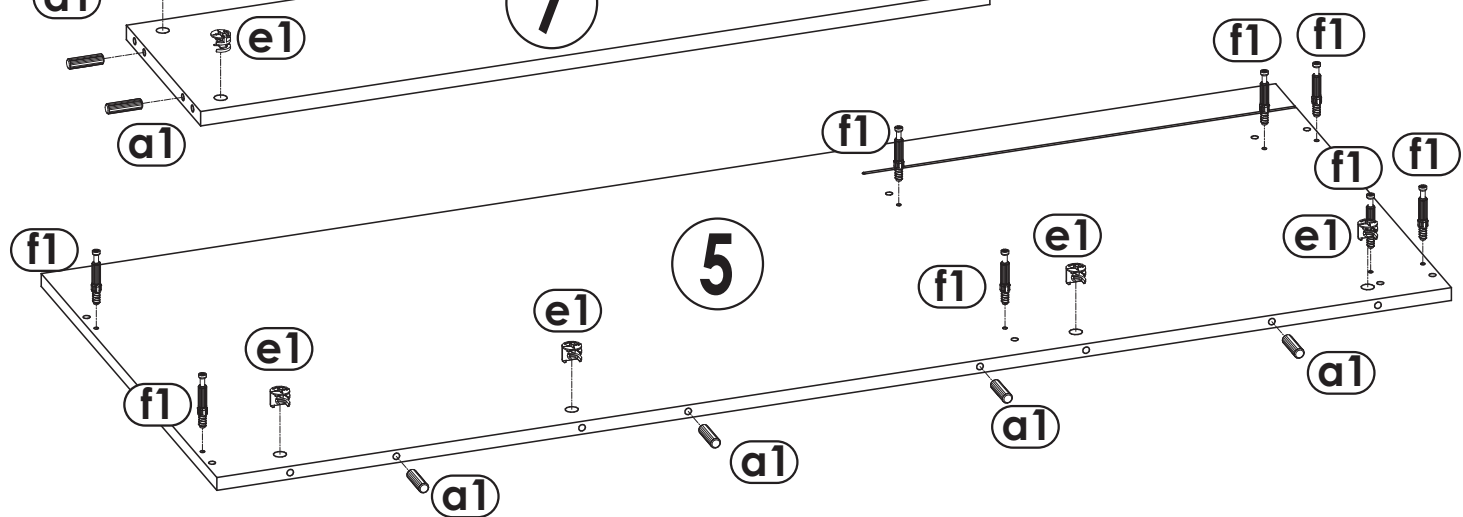
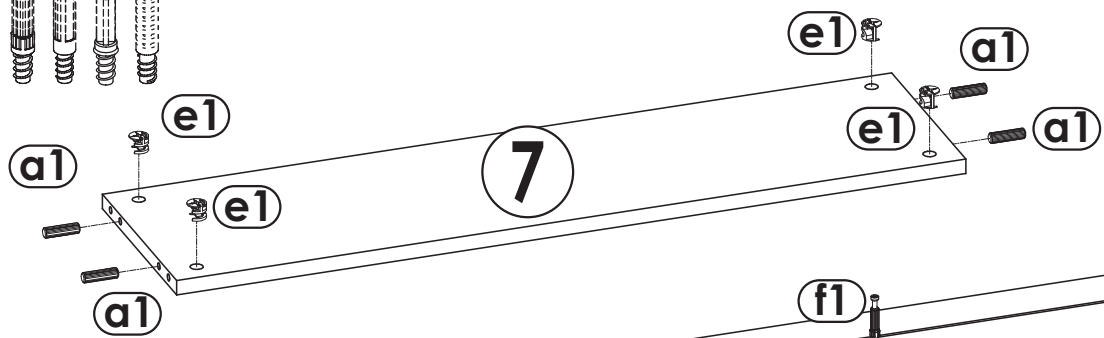
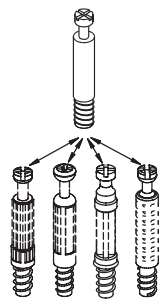
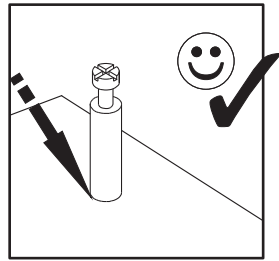
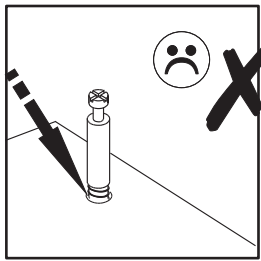
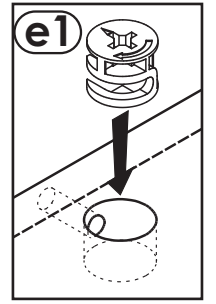
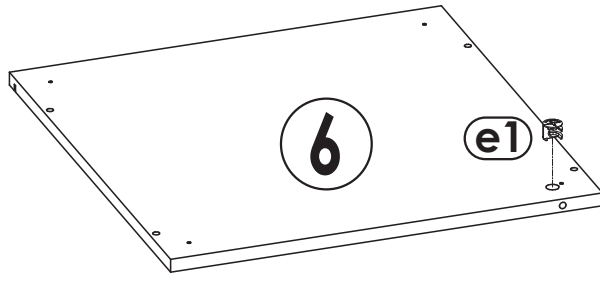
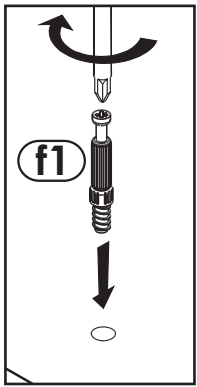
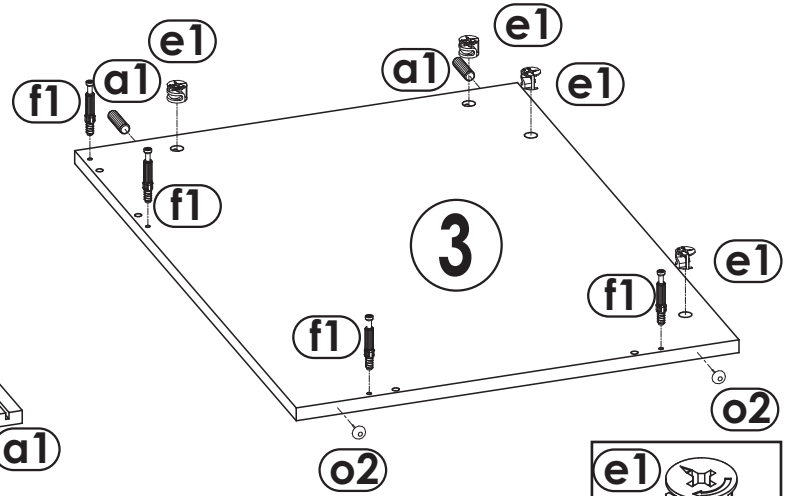
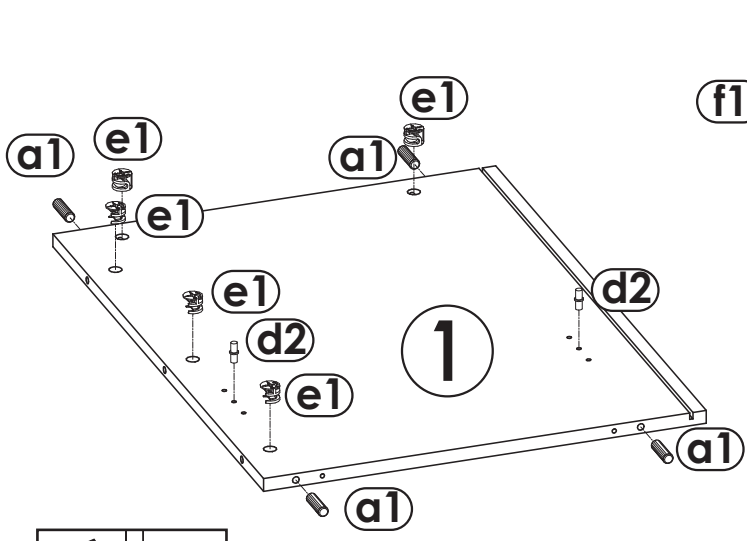
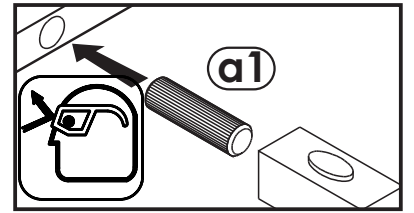
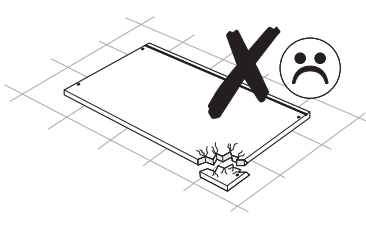
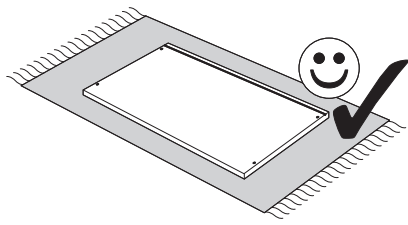
C1  = 1/2

C2  = 2/2

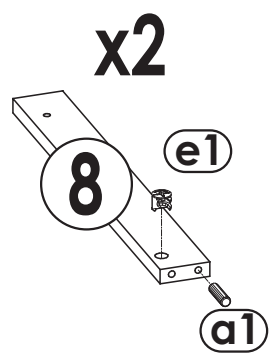
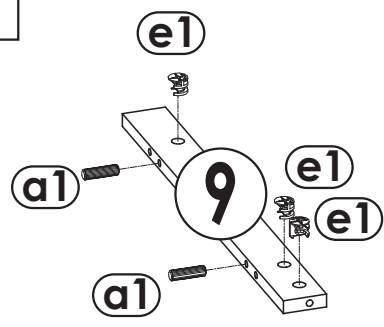
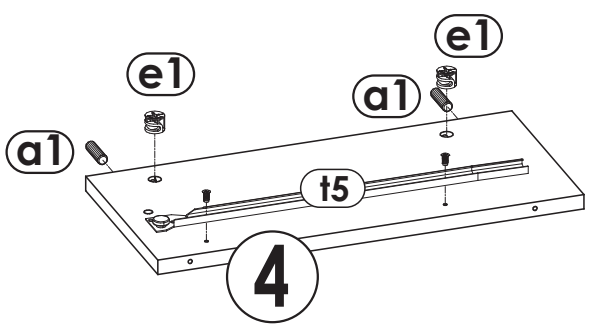
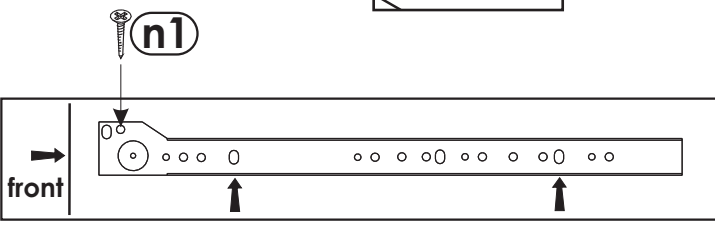
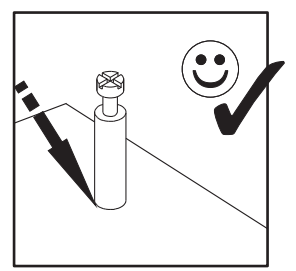
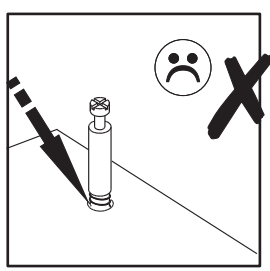
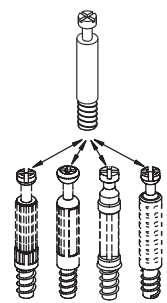
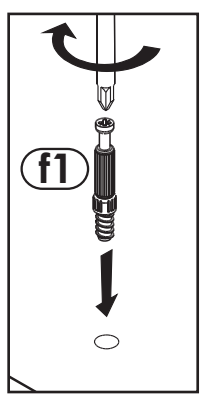
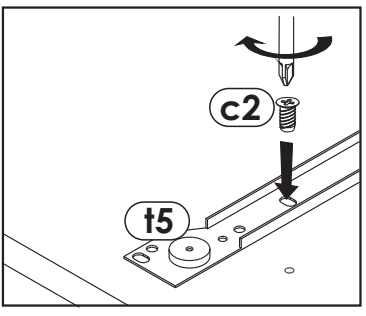
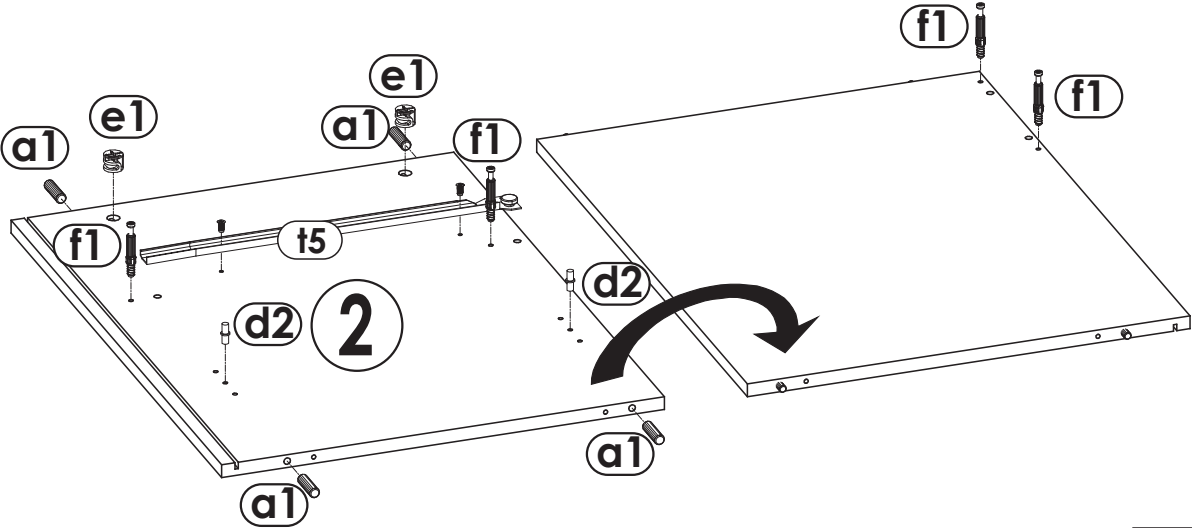
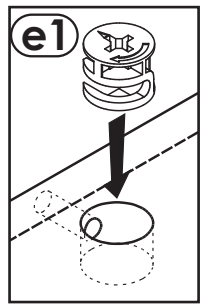
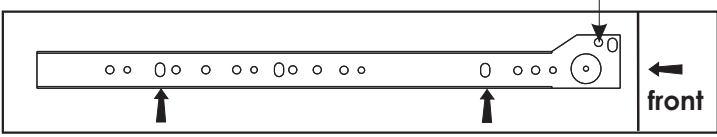
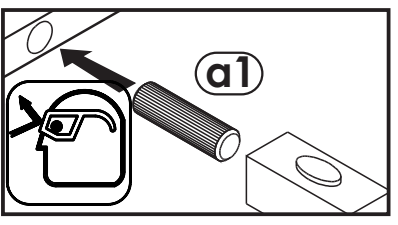
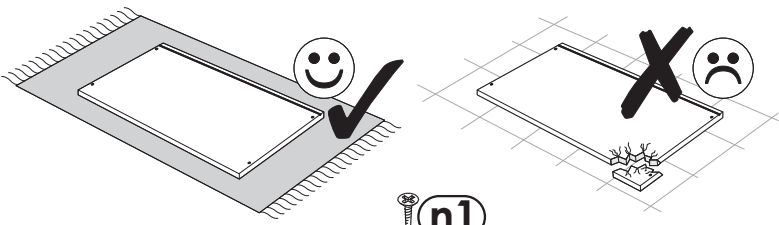
FOCUS FCB01



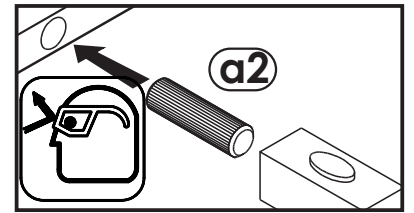
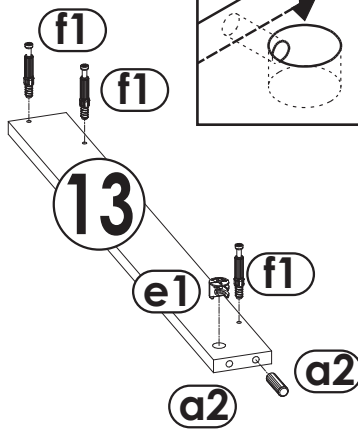
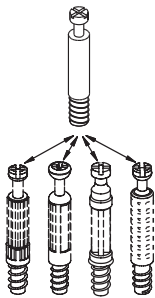
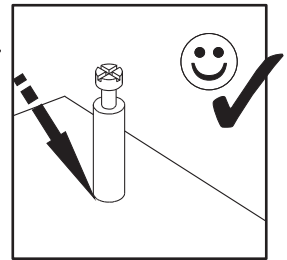
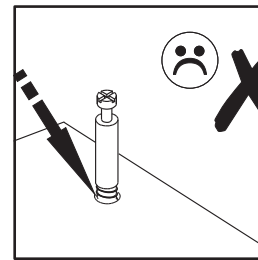
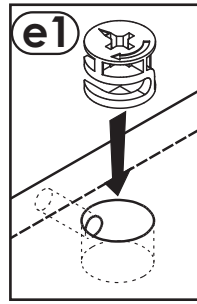
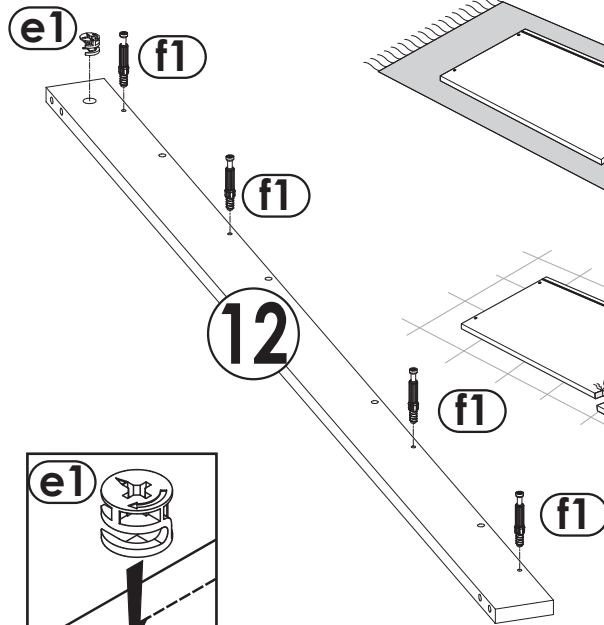
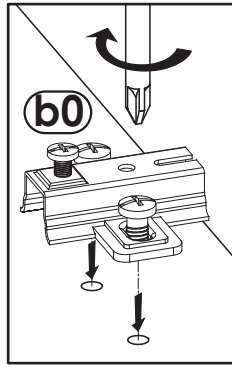
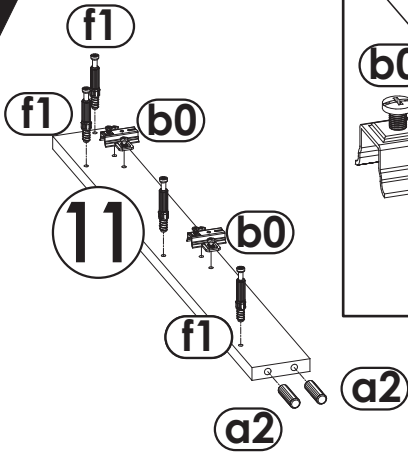
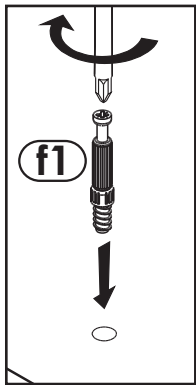
1



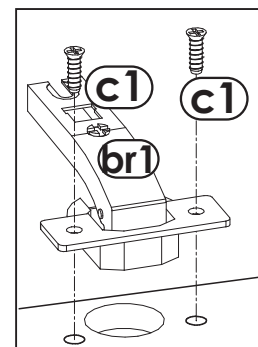
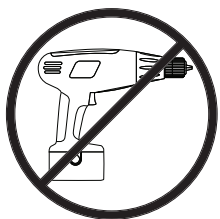
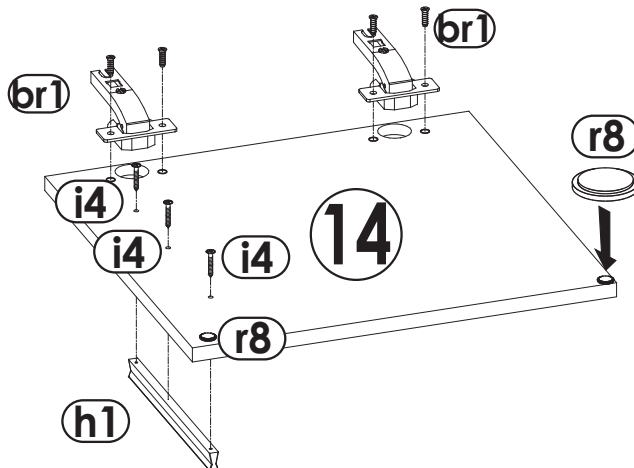
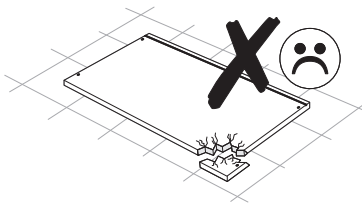
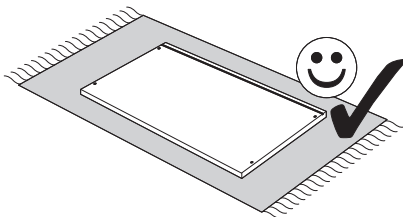
2



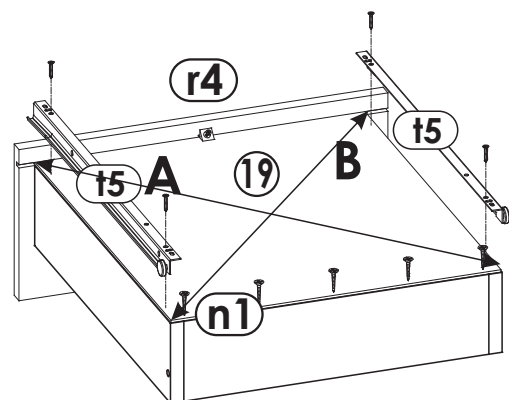
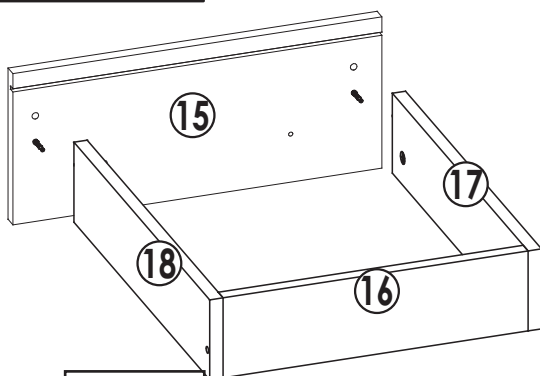
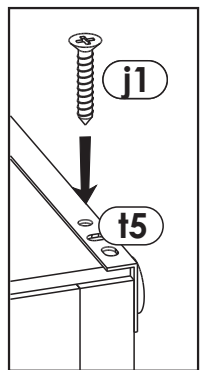
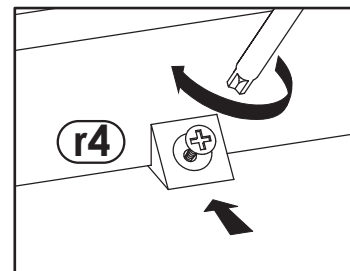
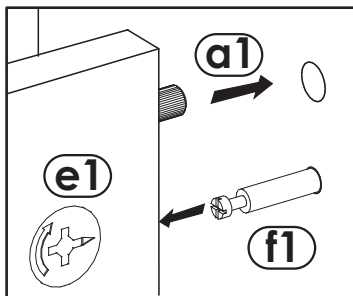
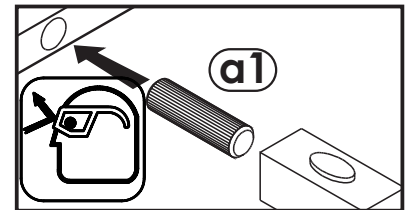
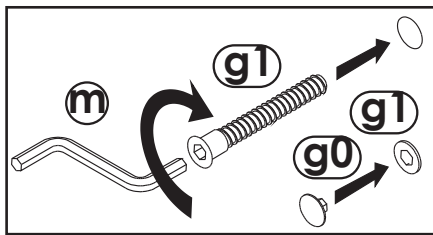
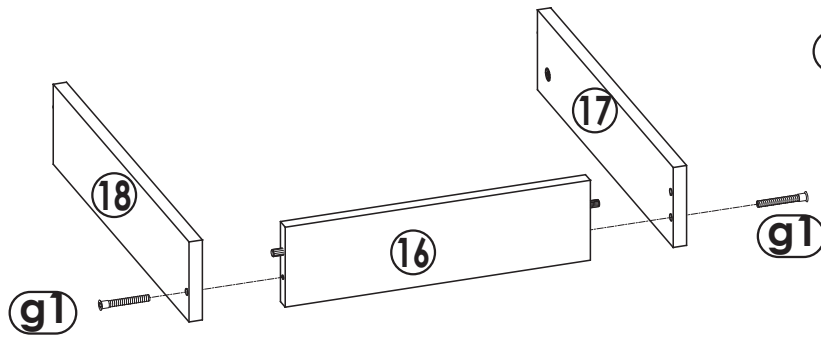
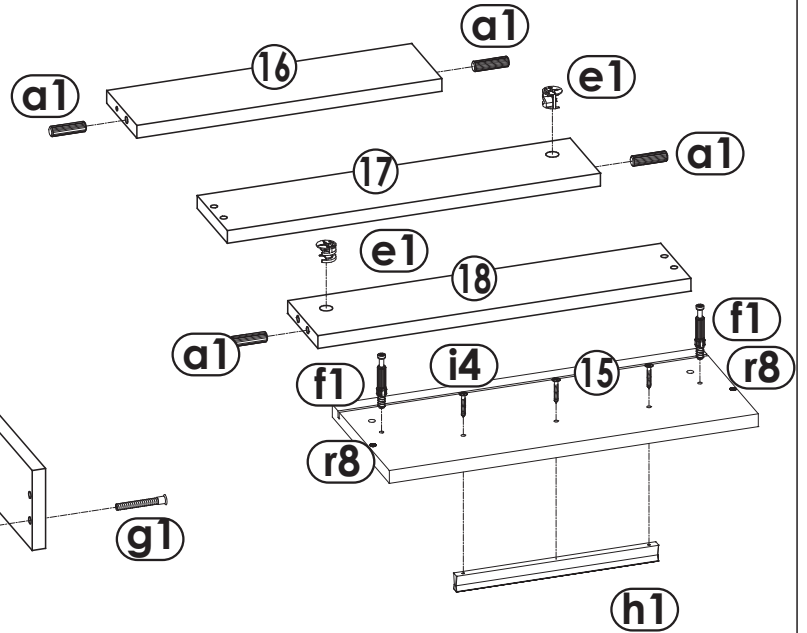
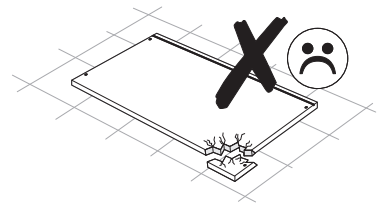
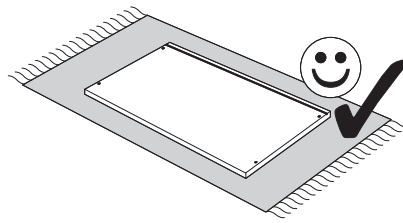
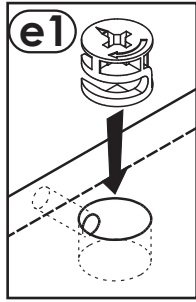
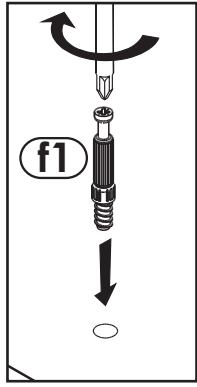
3



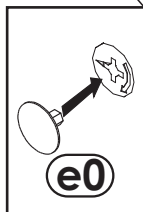
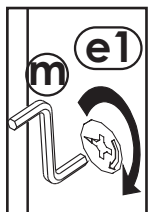
4



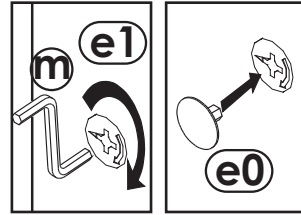
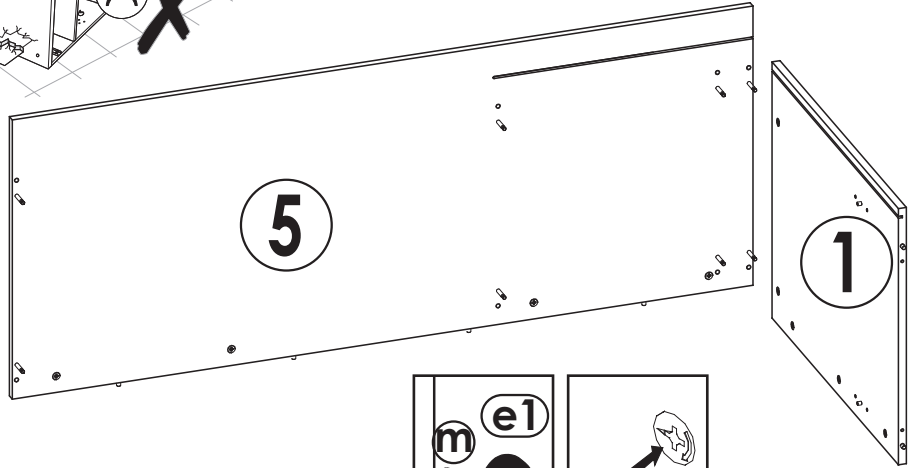
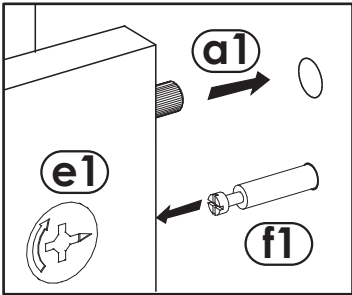
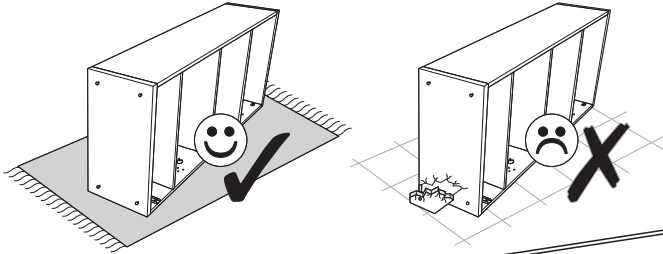
5



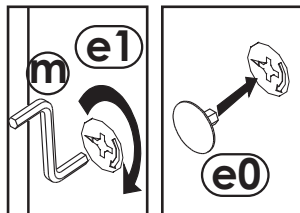
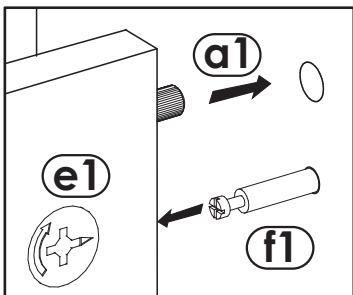
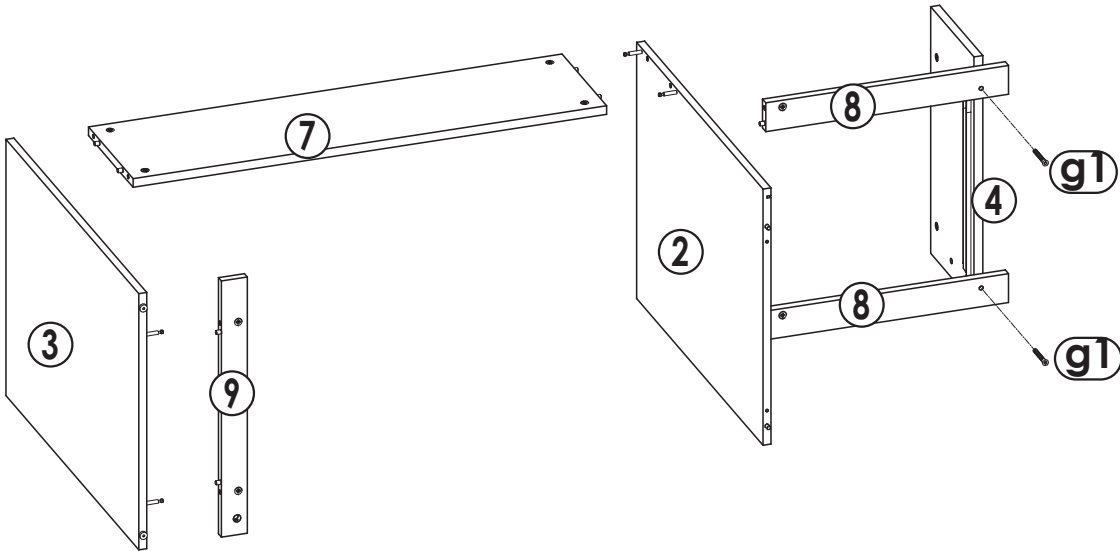
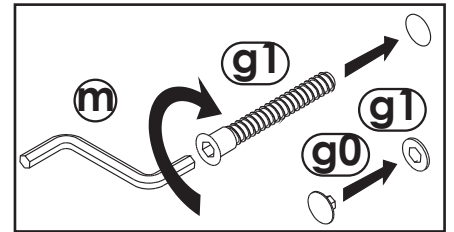
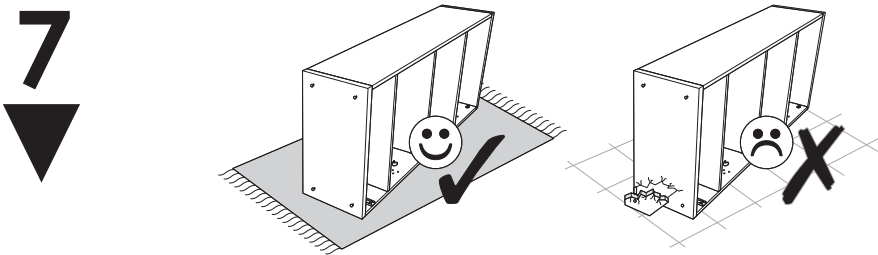
A=B



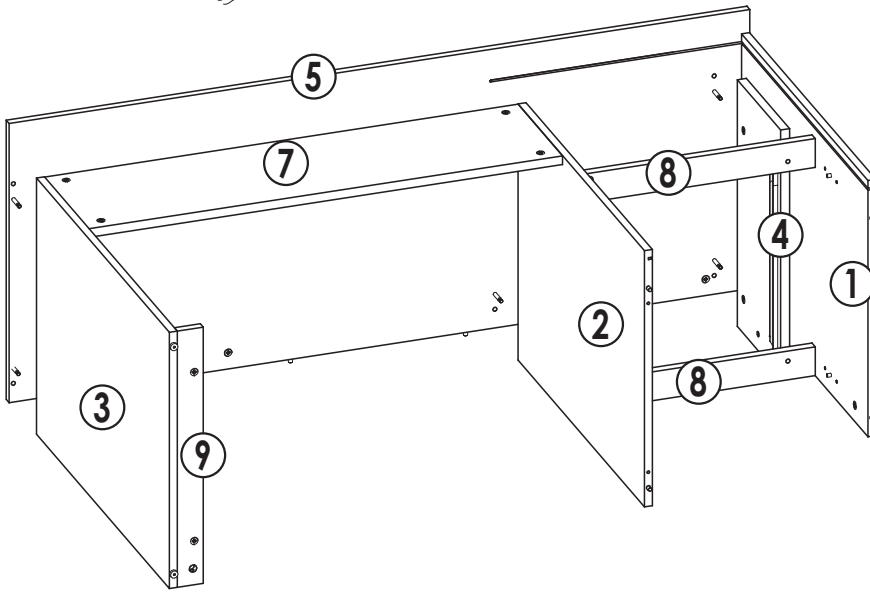
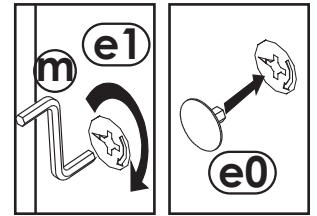
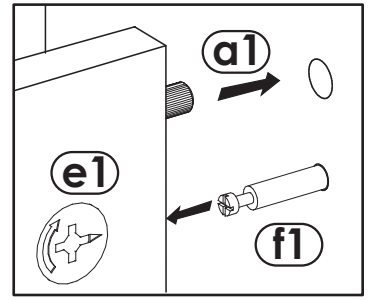
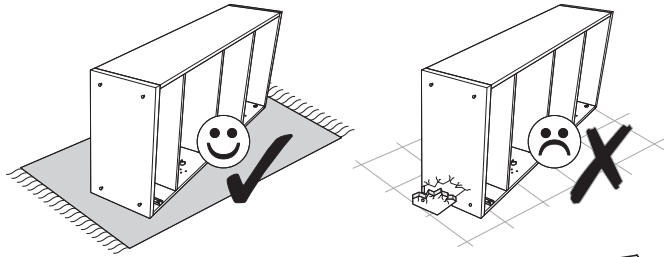
6



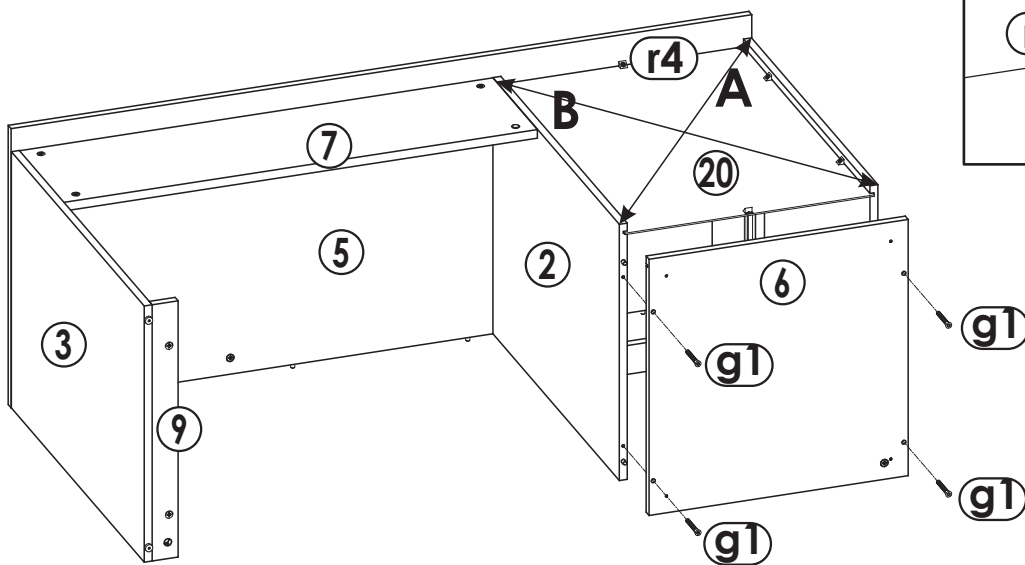
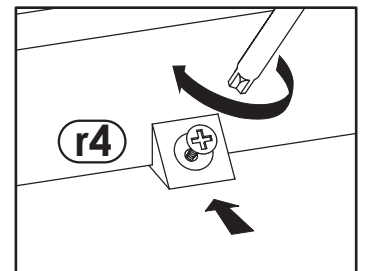
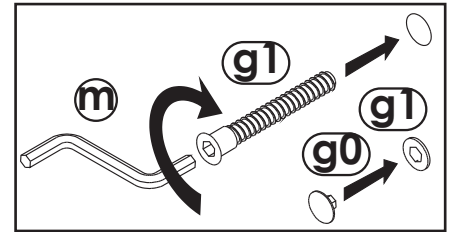
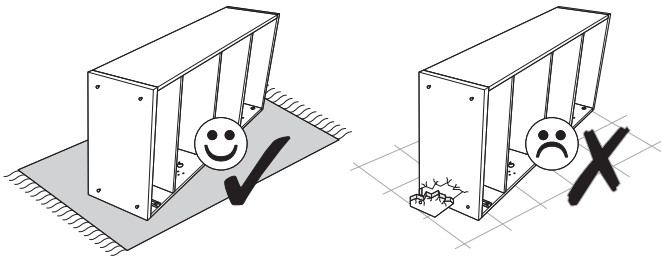
7



8

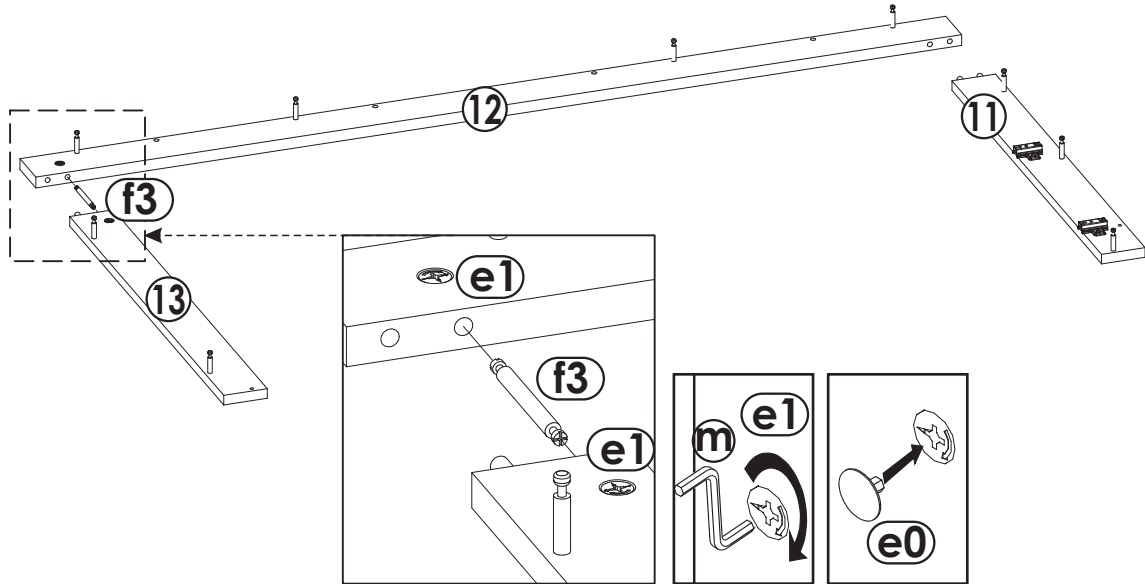
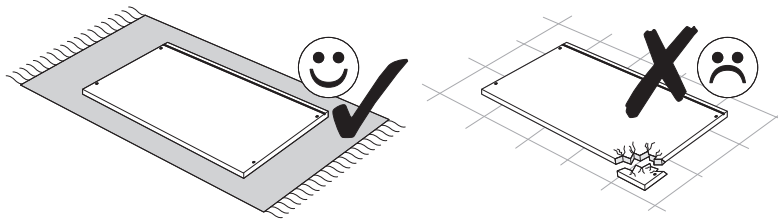


9

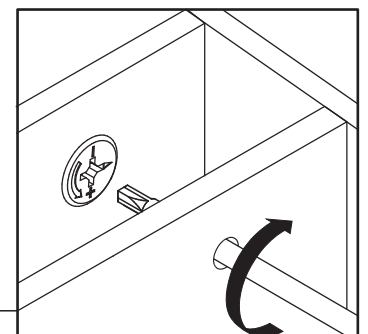
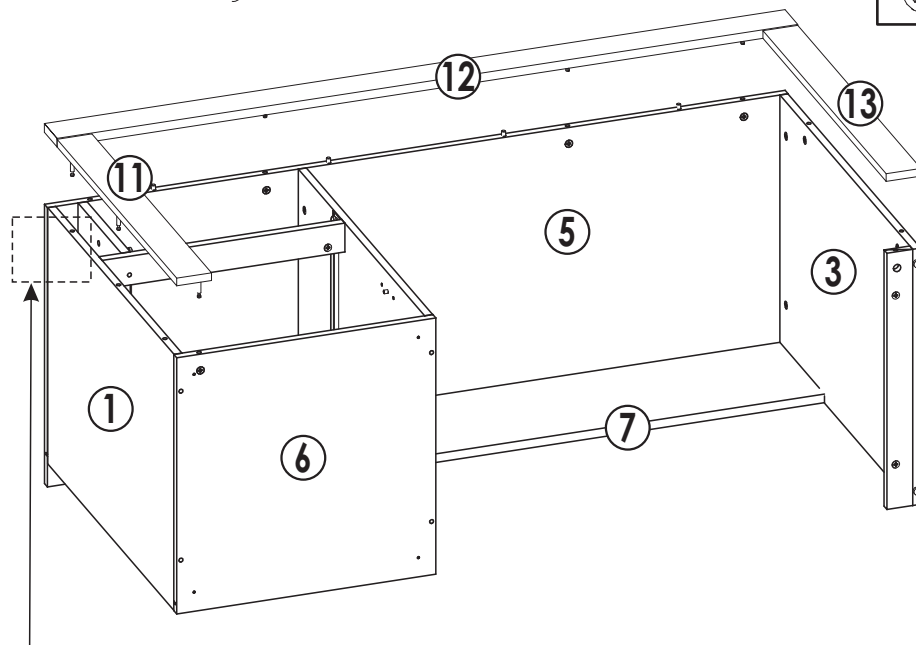
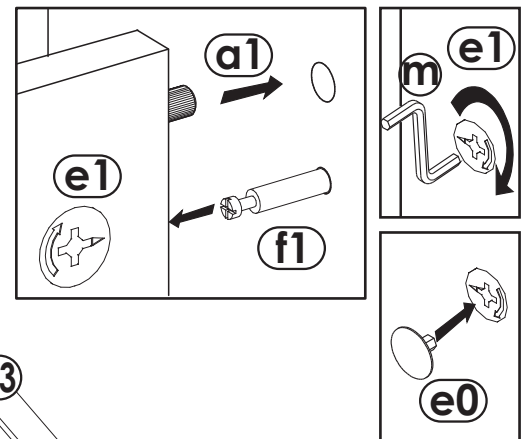
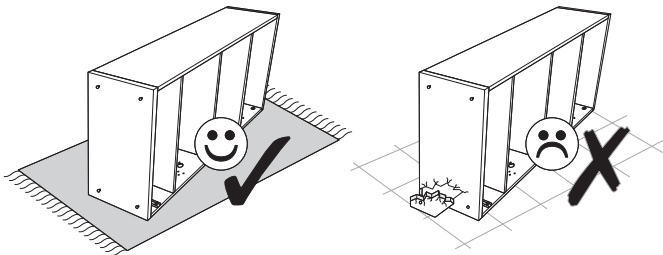


A=B

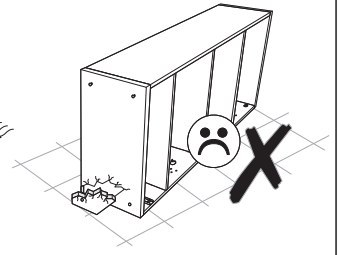
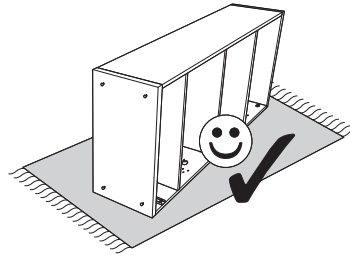
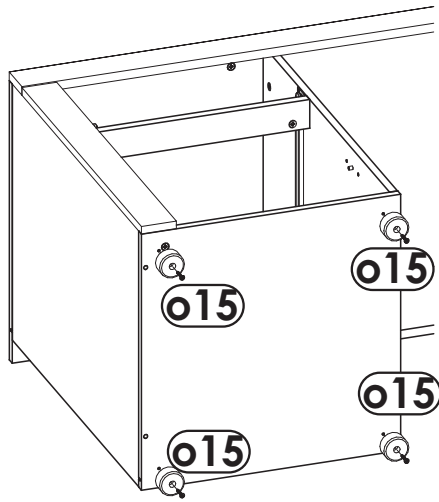
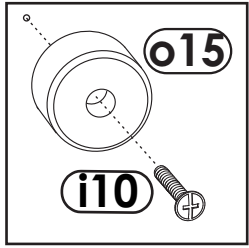
10



11



12



13

