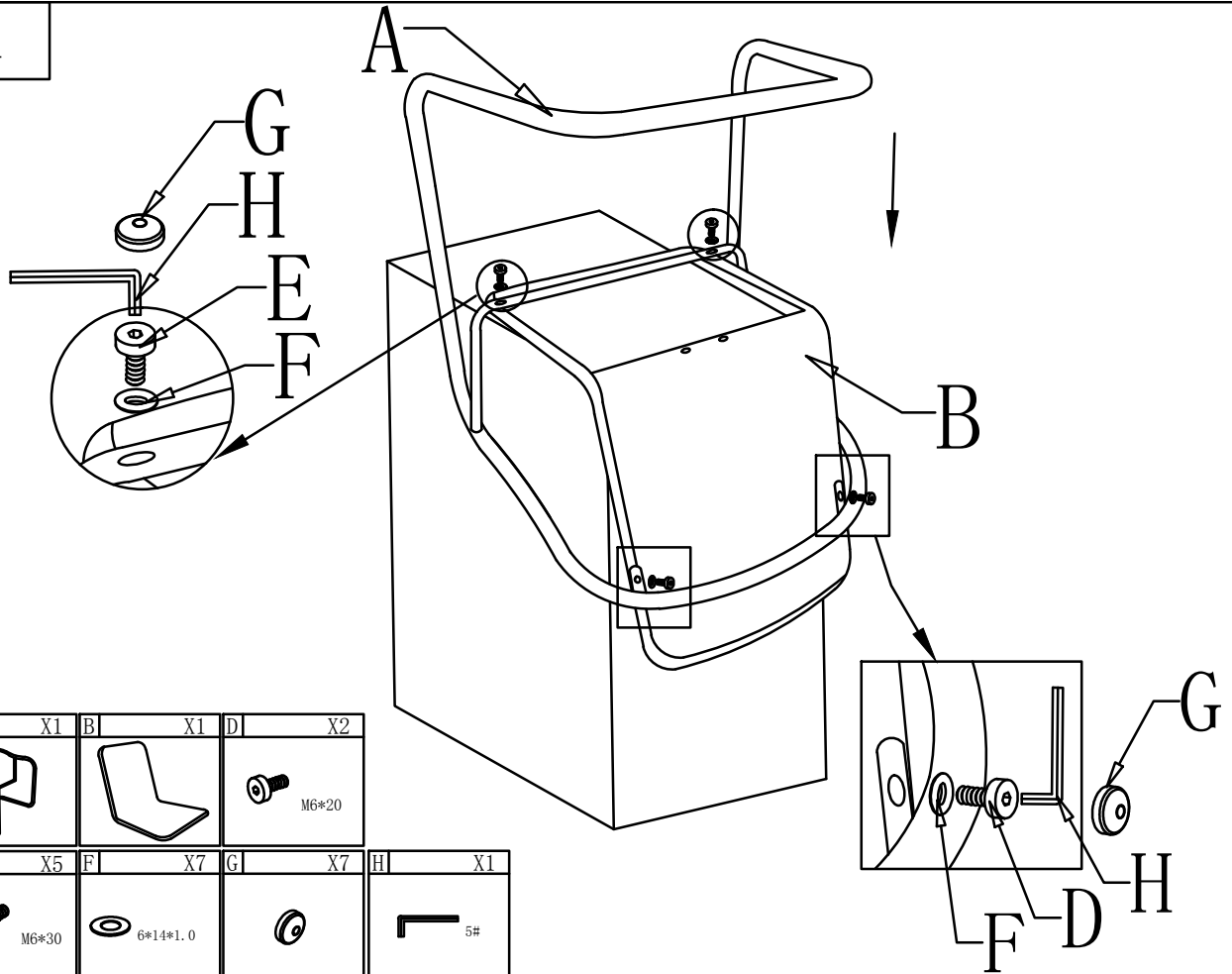
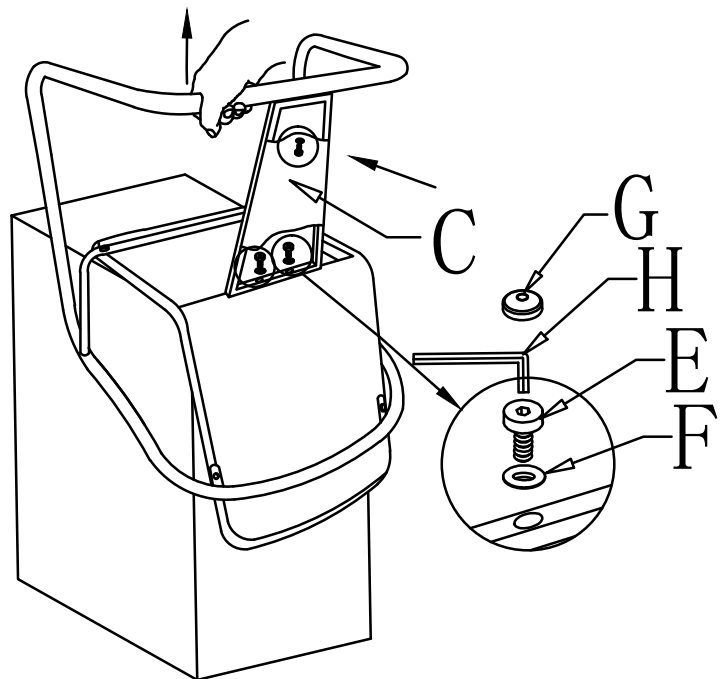


1



A	X1	B	X1	D	X2
					M6*20
E	X5	F	X7	G	X7
	M6*30		6*14*1.0		X7
				H	X1
					5#

2



A	X1	B	X1	C	X1	D	X2
							M6*20
E	X5	F	X7	G	X7	H	X1
	M6*30		6*14*1.0		X7		5#