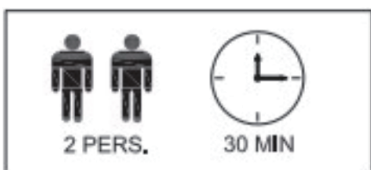
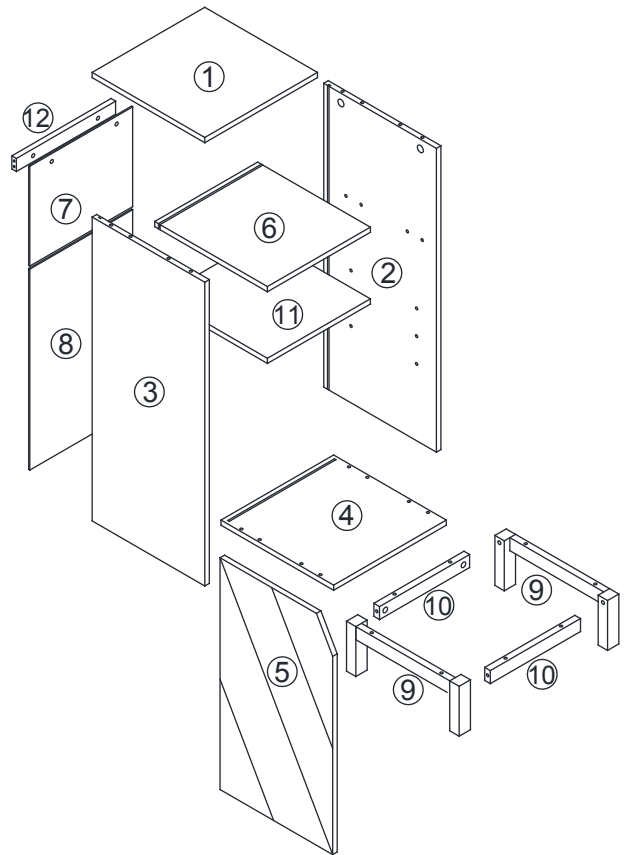
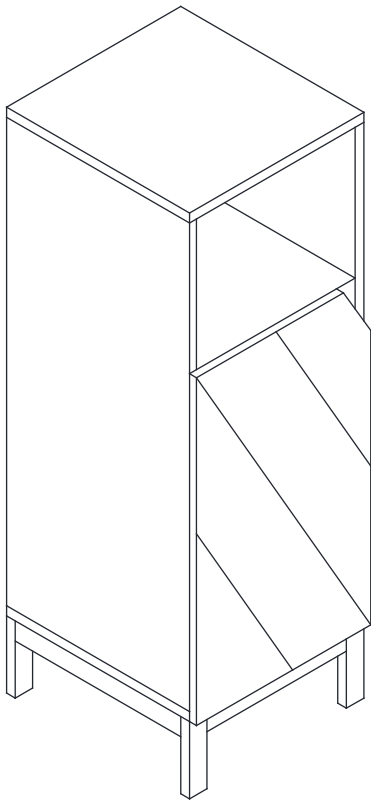
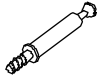


03350025/05



## Hardware:



(A) Cam lock: 12pcs



(B) Cam bolt: 12pcs



(C) Screw: 12pcs



(D) Wooden Dowel: 16pcs



(E) Hinge: 2pcs



(F) Screw: 8pcs



(G) Shelf Support: 4pcs



(H) Shelf Support: 2pcs



(I) Shelf Support: 2pcs



(J) Shelf Support: 4pcs



(K) Shelf Support: 4pcs

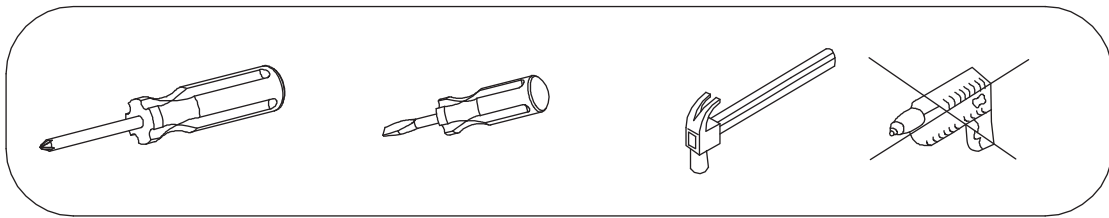


(L) Screw : 8pcs

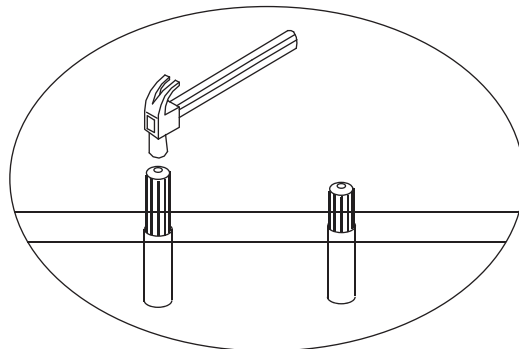
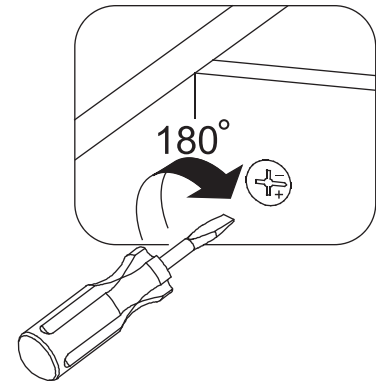
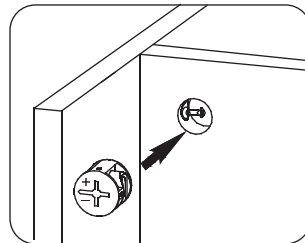
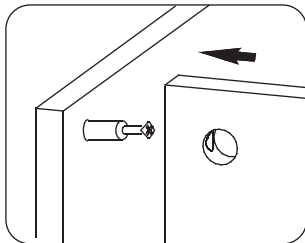


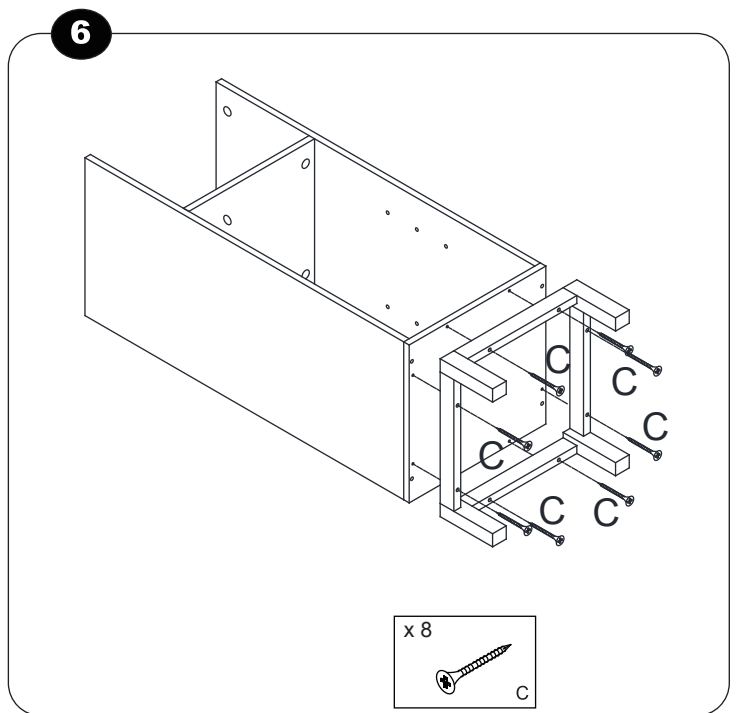
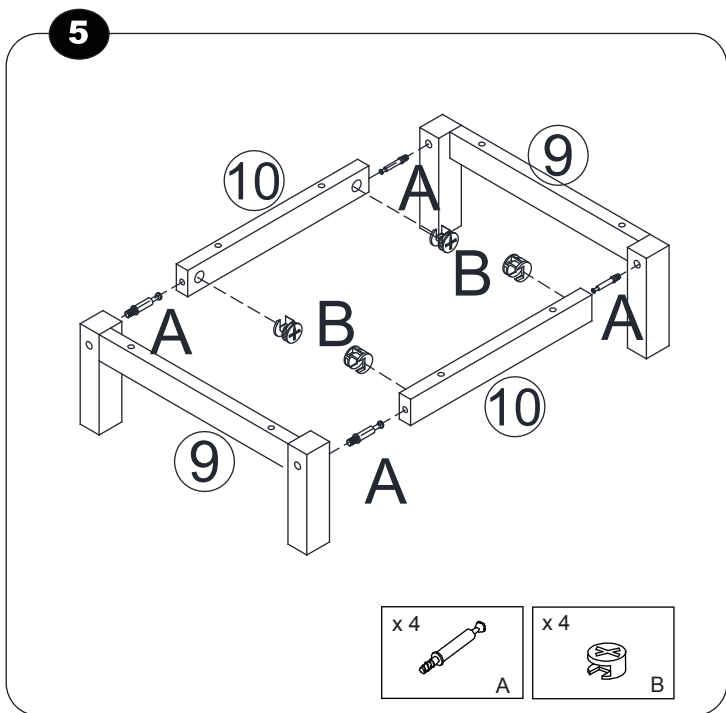
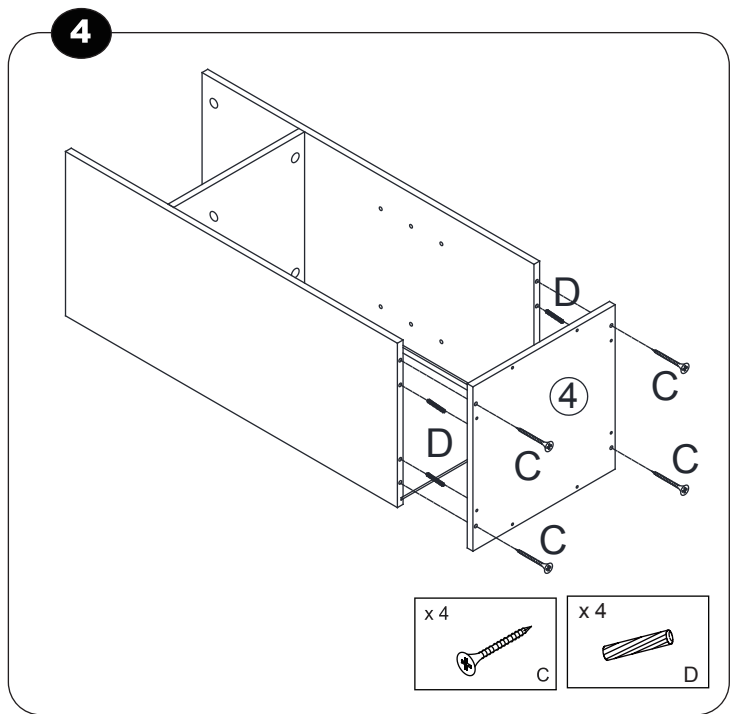
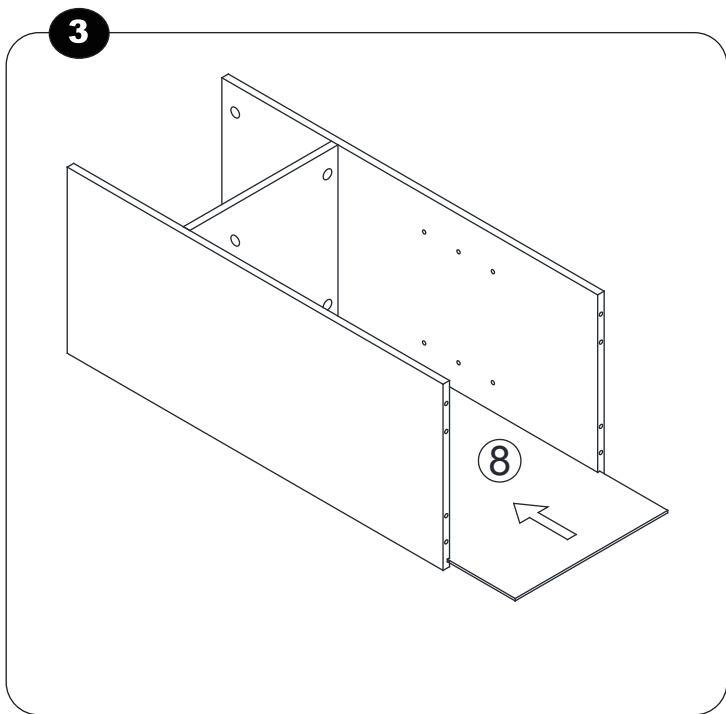
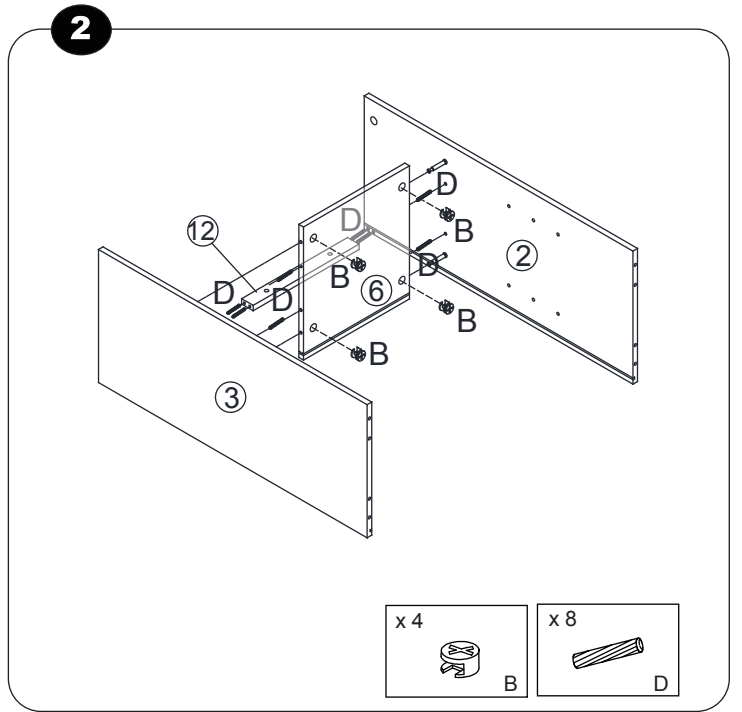
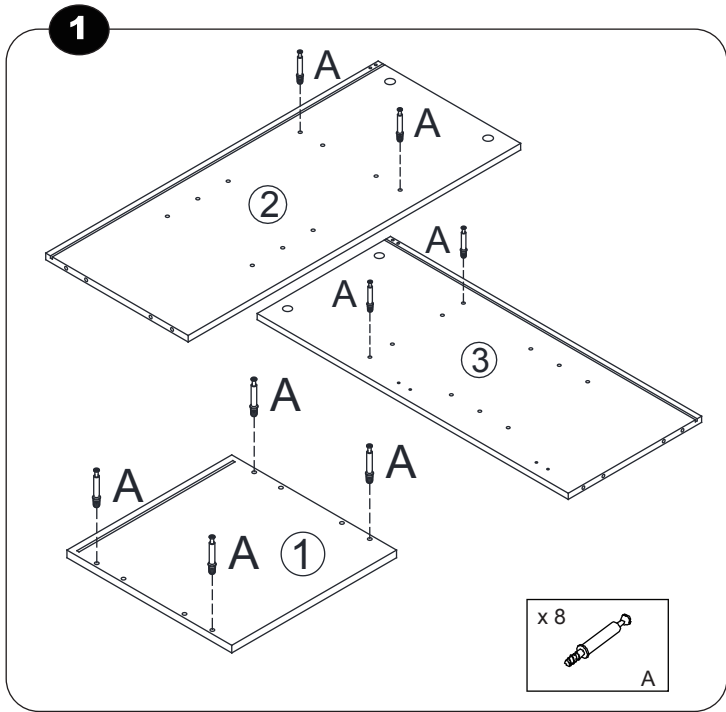
(M) Screw : 8pcs

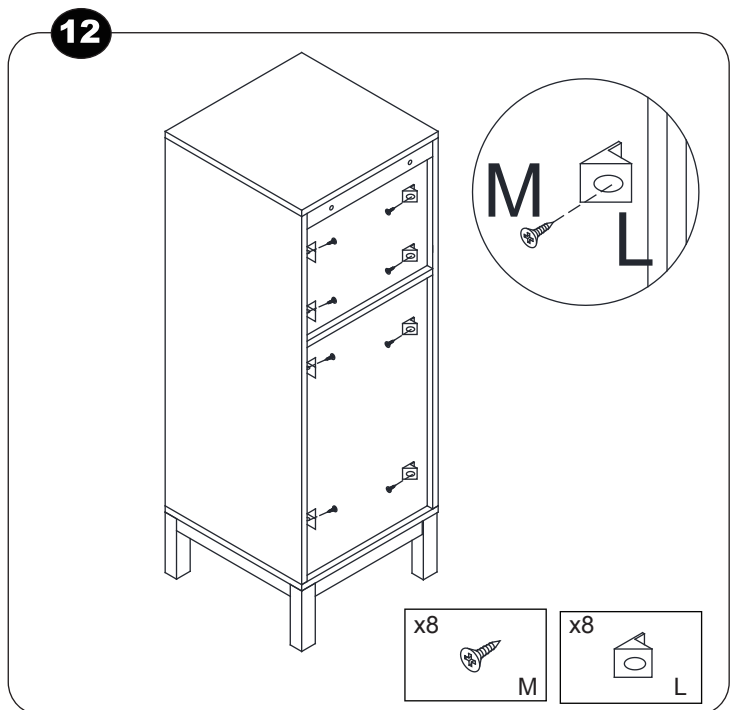
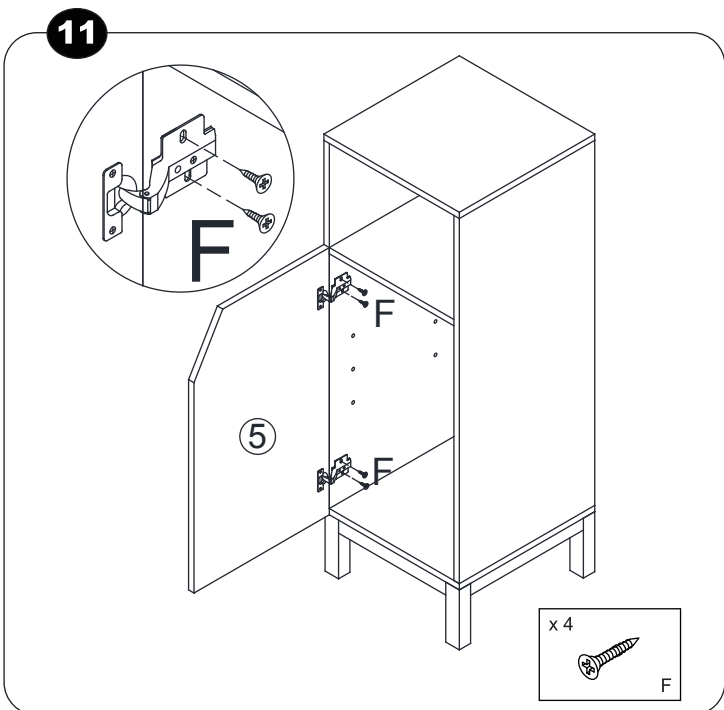
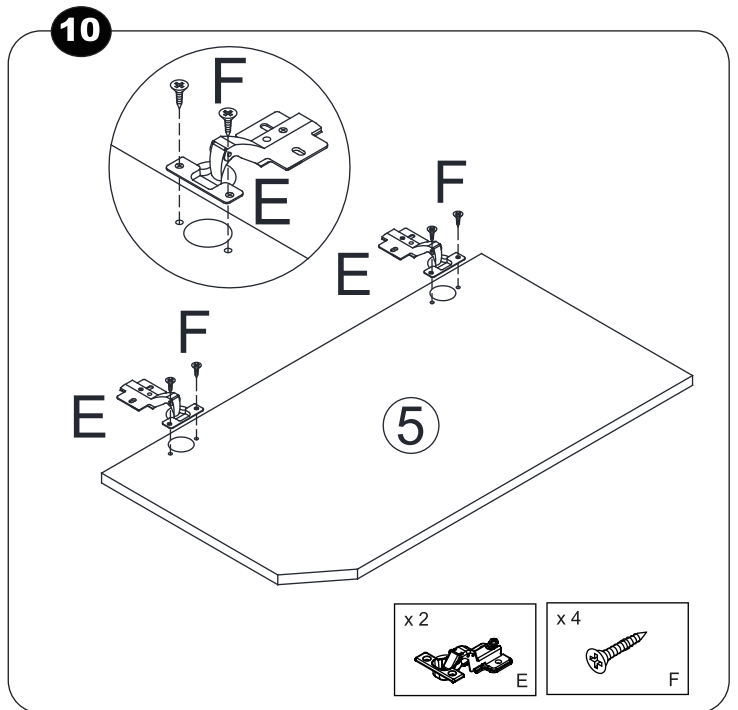
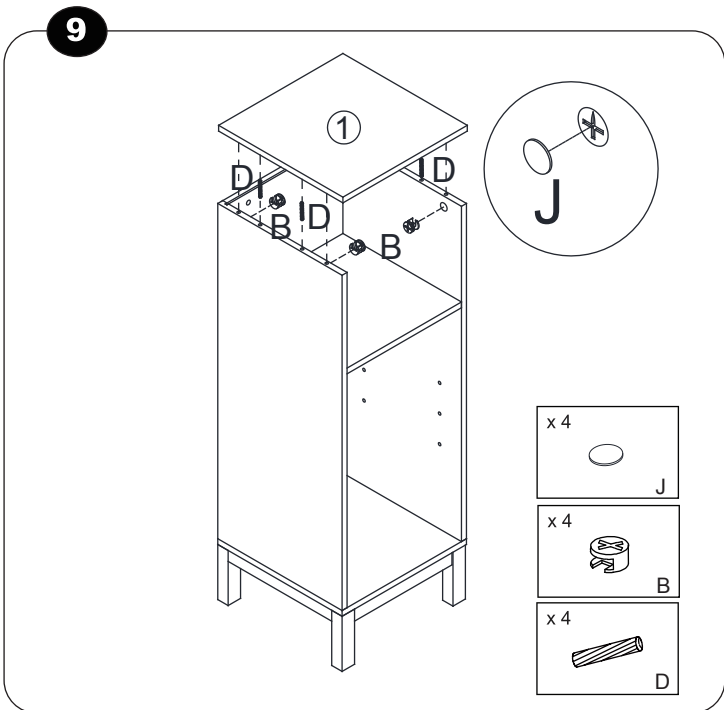
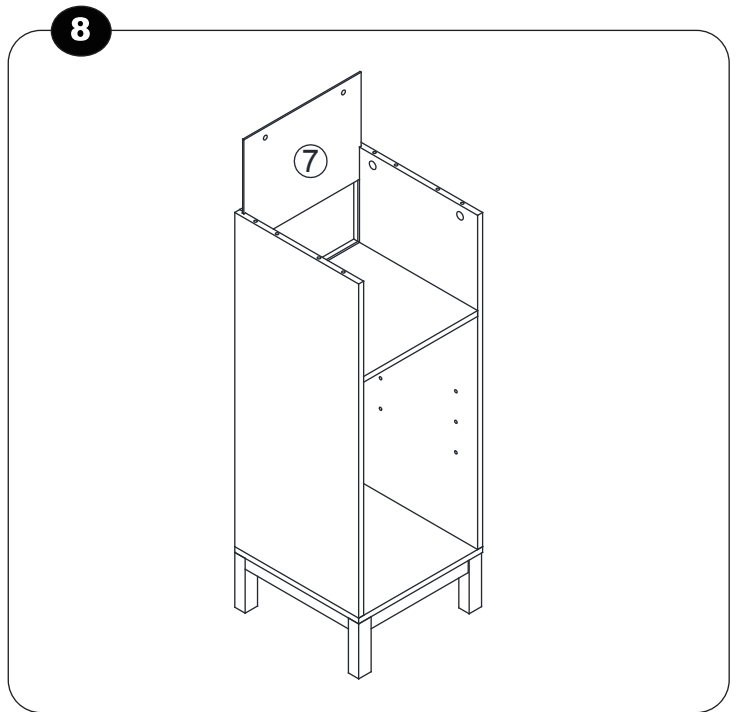
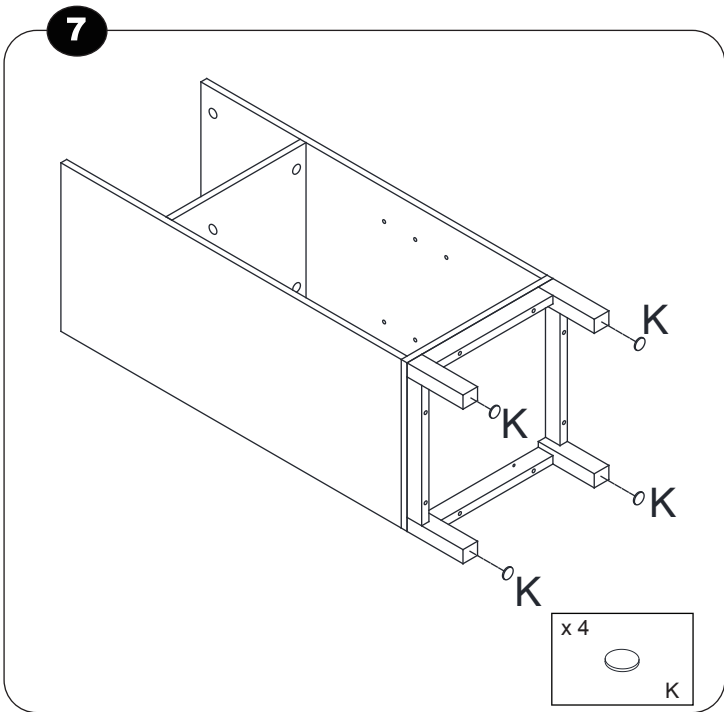
## Assembly auxiliary tools:



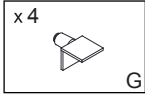
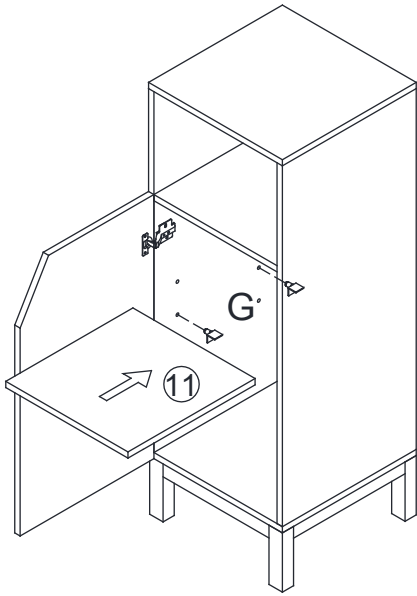
## Quickfit:



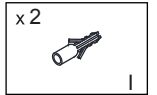
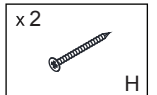
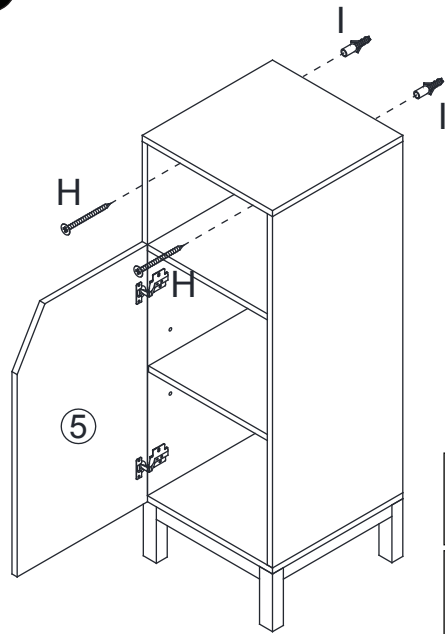




13



14



15

