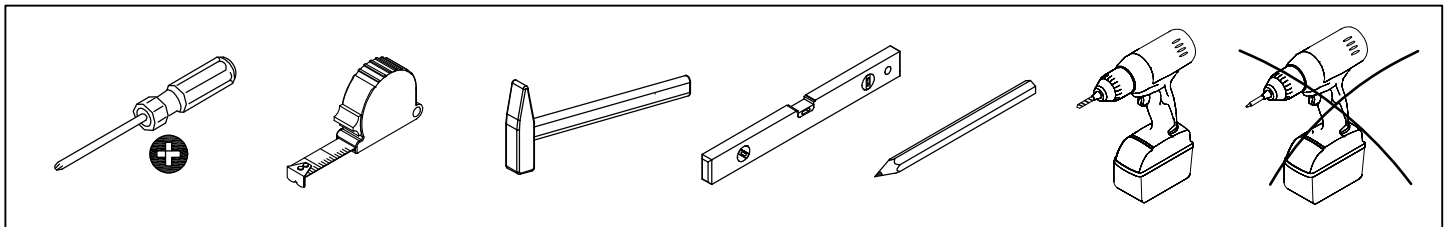
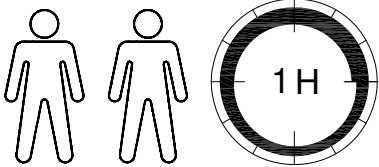
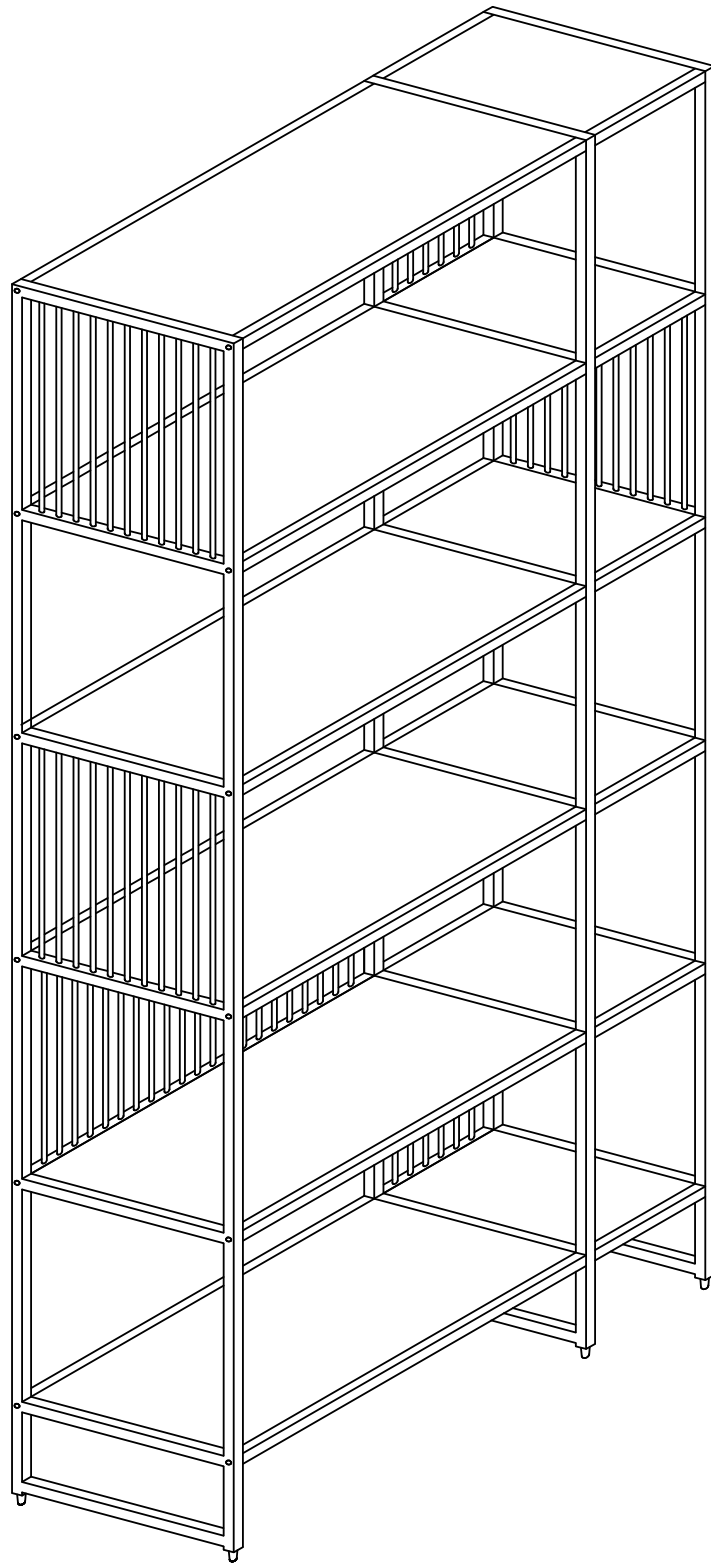
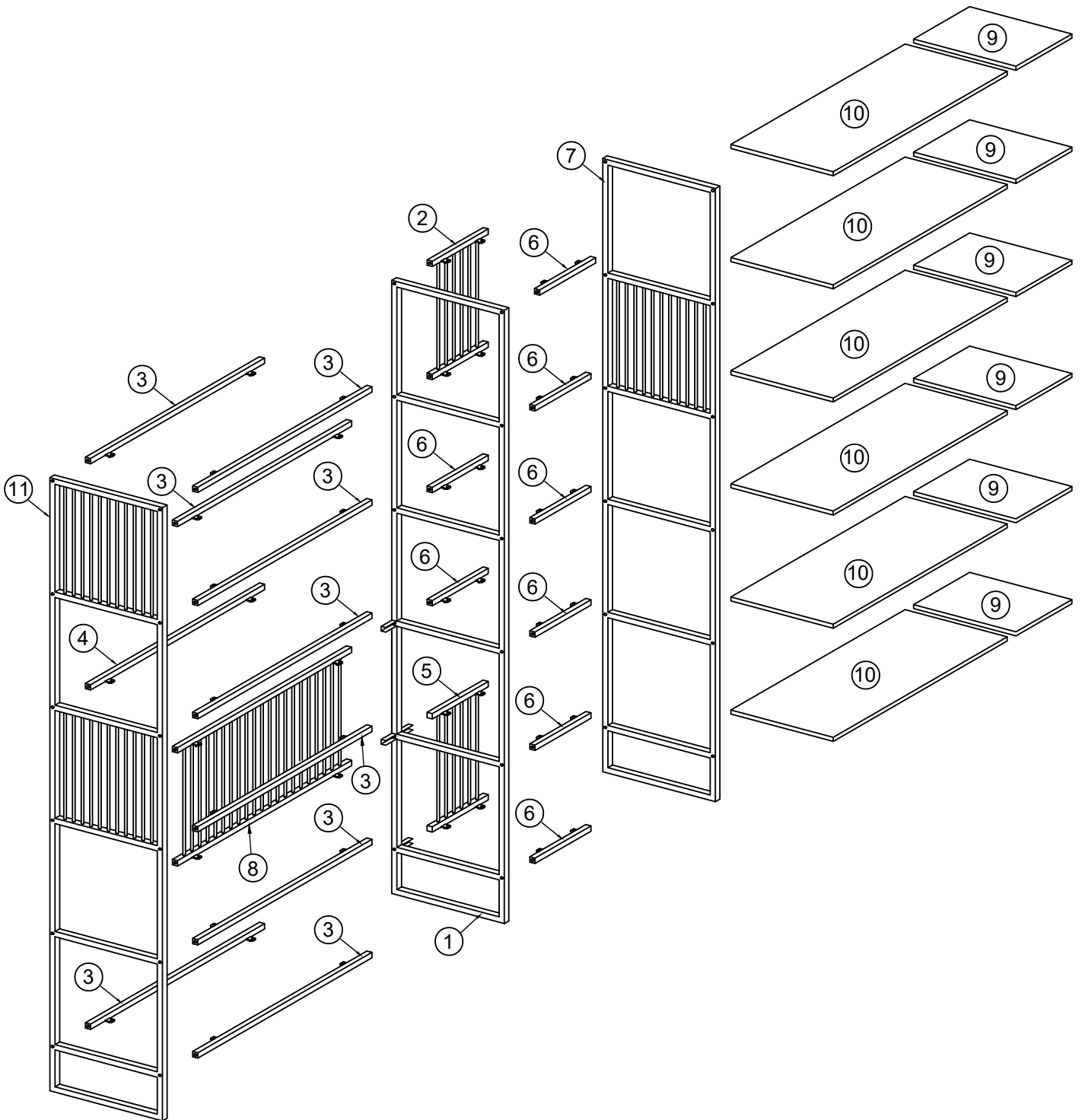


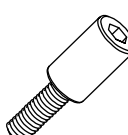
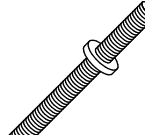

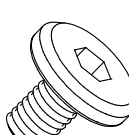
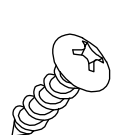
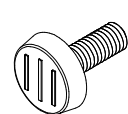
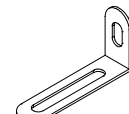
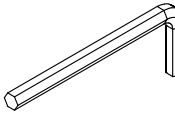
STRINGTON



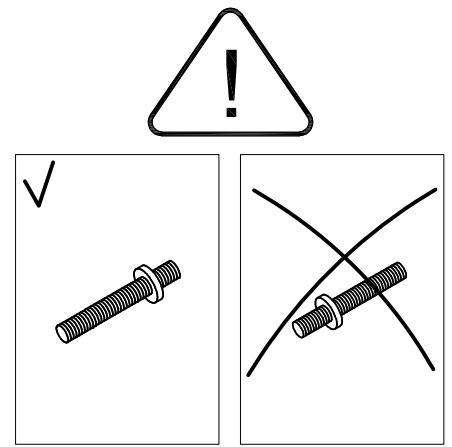
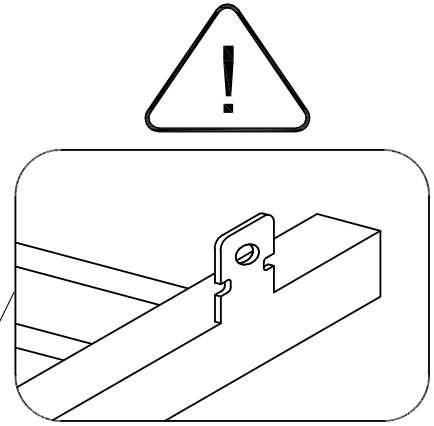
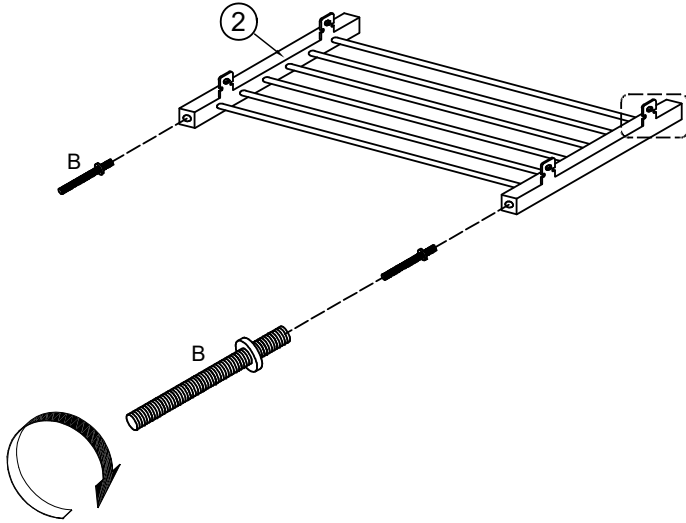
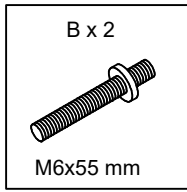
			✓
①	1	1843x350x54	
②	1	357x196x36	
③	9	606x36x16	
④	1	606x36x16	
⑤	1	357x196x36	
⑥	8	196x36x16	

			✓
⑦	1	1843x350x16	
⑧	1	606x357x36	
⑨	6	317x195x12	
⑩	6	605x317x12	
⑪	1	1843x350x16	

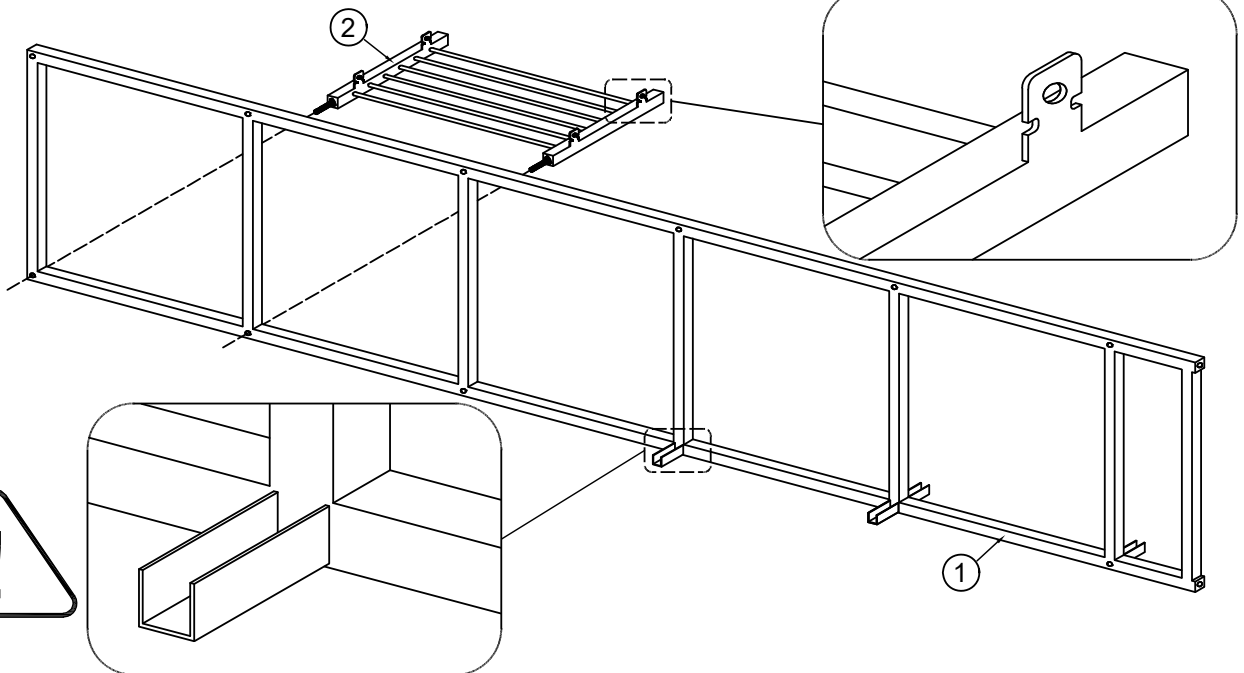


<p>A x 24</p>  <p>M6x15 mm</p>	<p>B x 9</p>  <p>M6x55 mm</p>	<p>C x 2</p>  <p>M6x35 mm</p>	<p>D x 4</p>  <p>M6x10 mm</p>	<p>E x 50</p>  <p>Ø4x12 mm</p>
<p>F x 6</p>  <p>M6/Ø12x15 mm</p>	<p>G x 2</p>  <p>75x30x15 mm</p>	<p>H x 1</p>  <p>4 mm</p>		

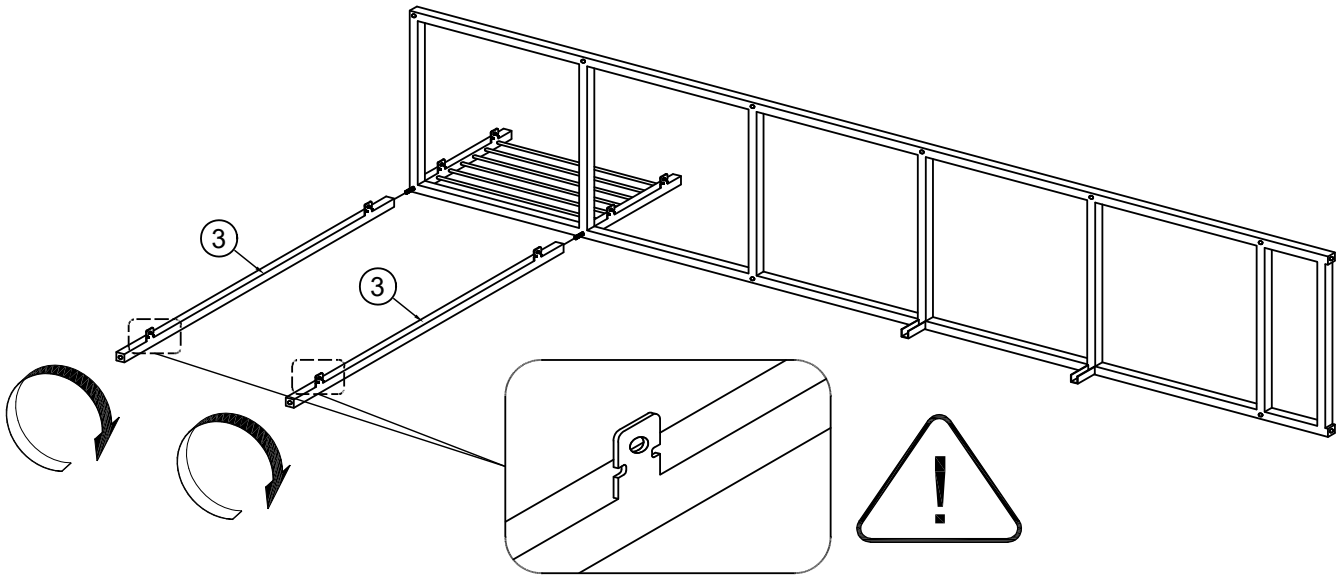
1



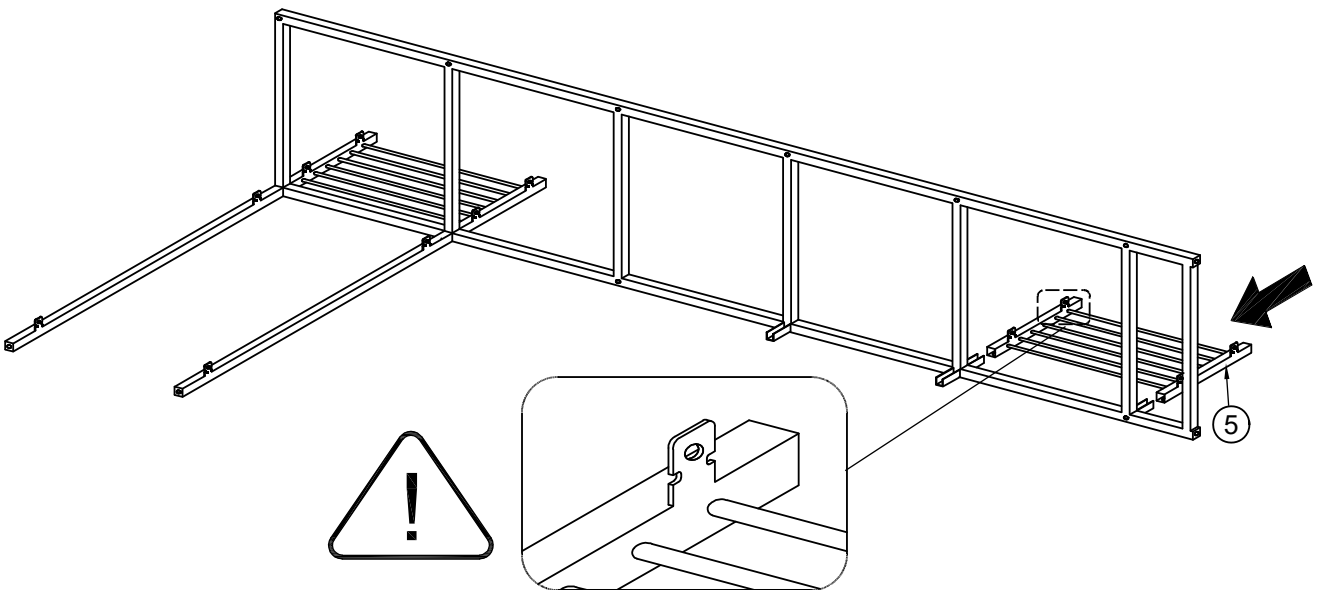
2



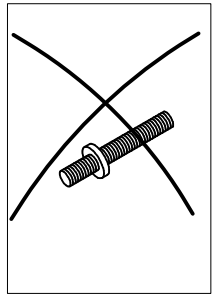
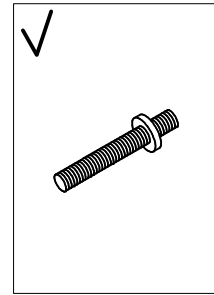
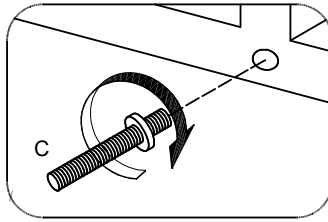
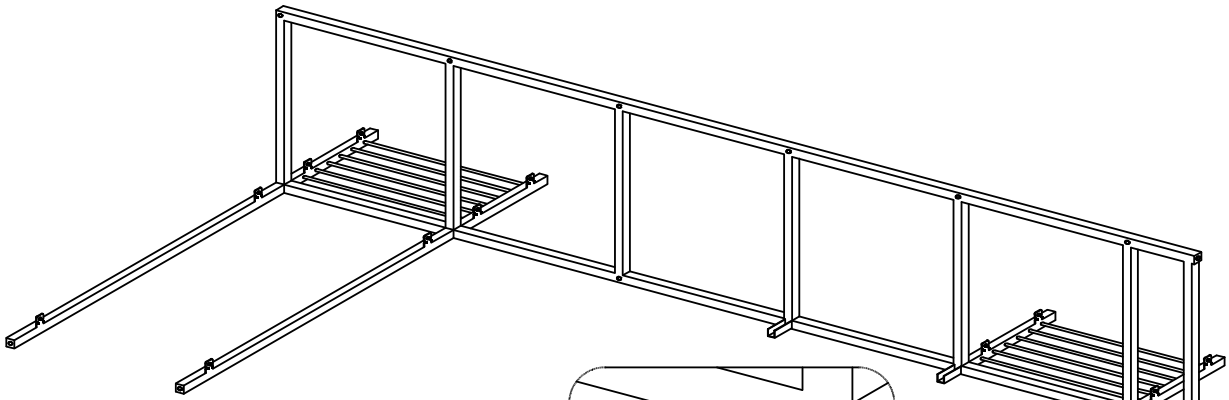
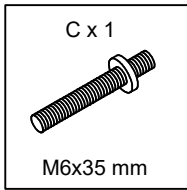
3



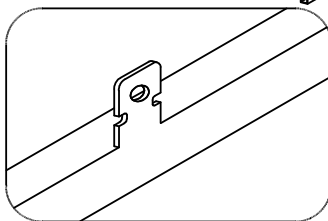
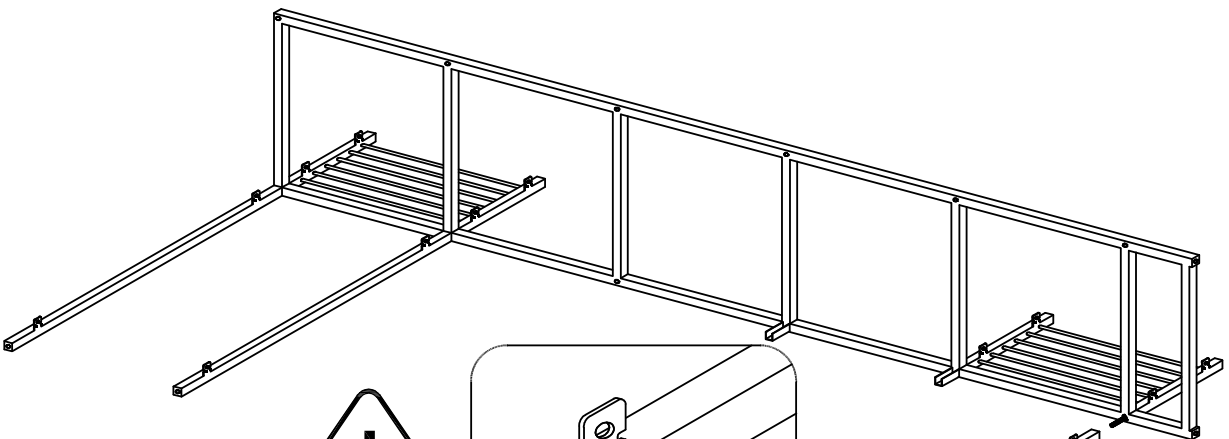
4



5

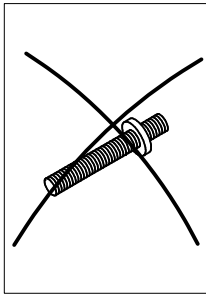
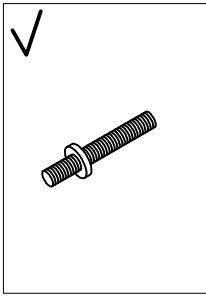
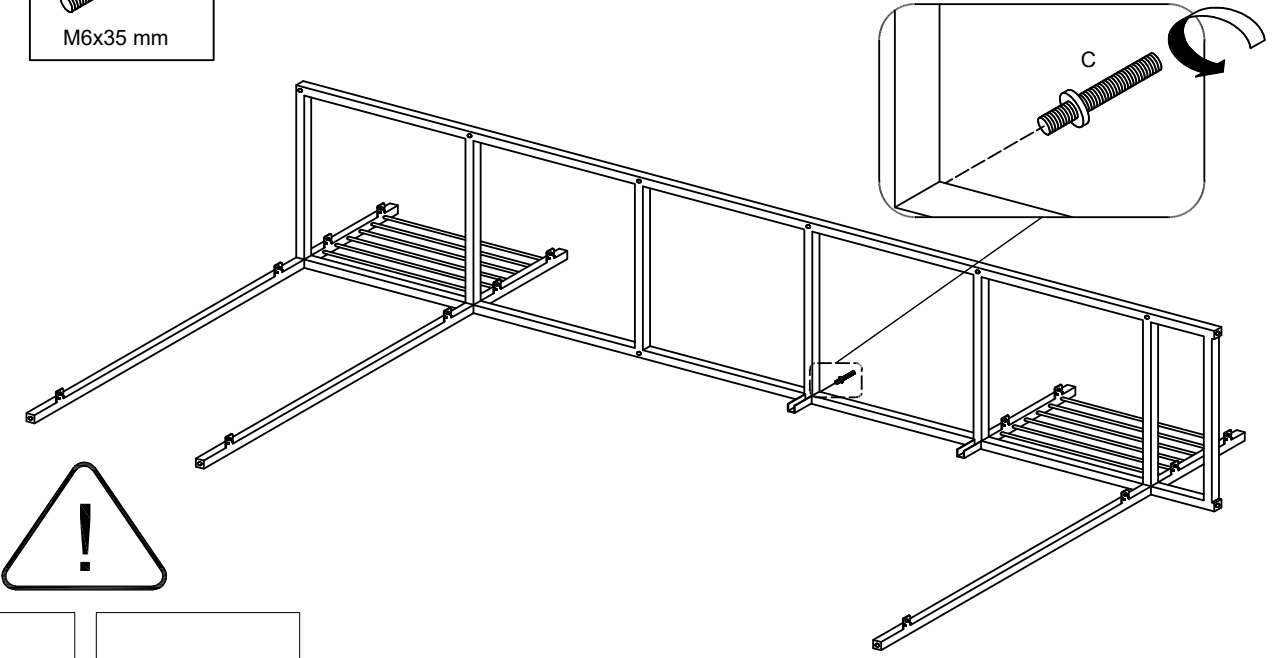
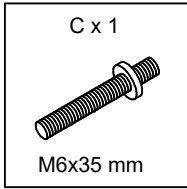


6

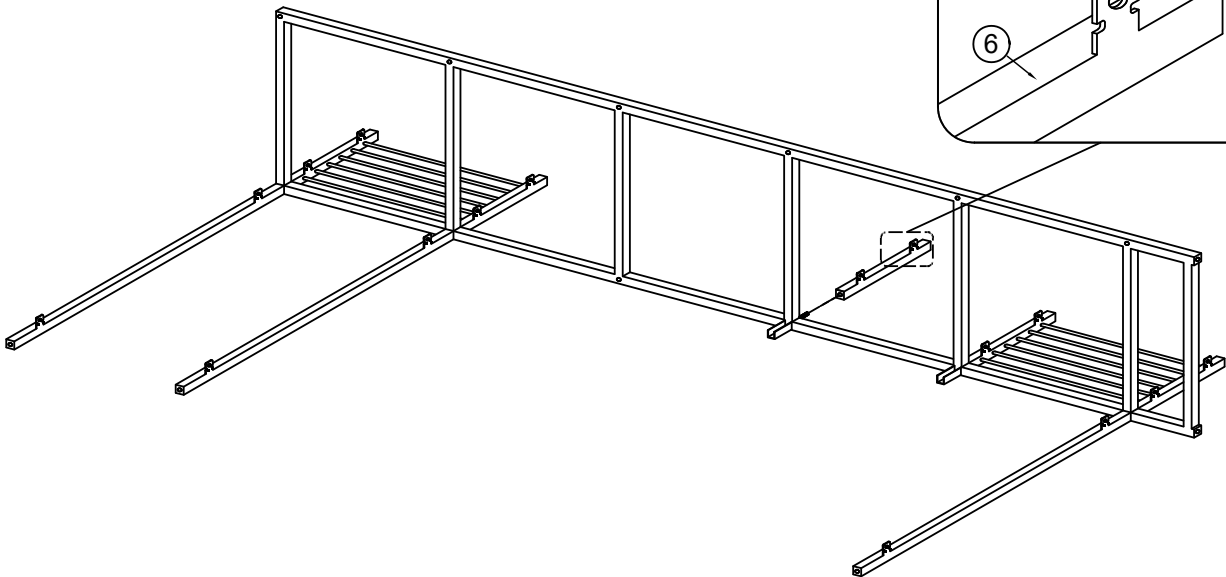
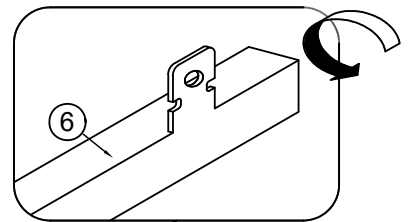


3

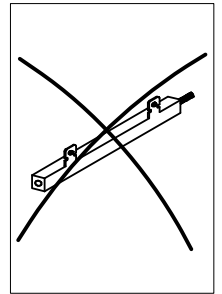
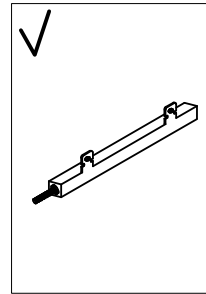
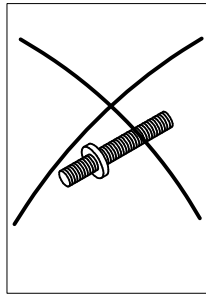
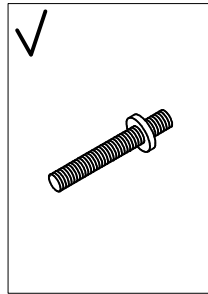
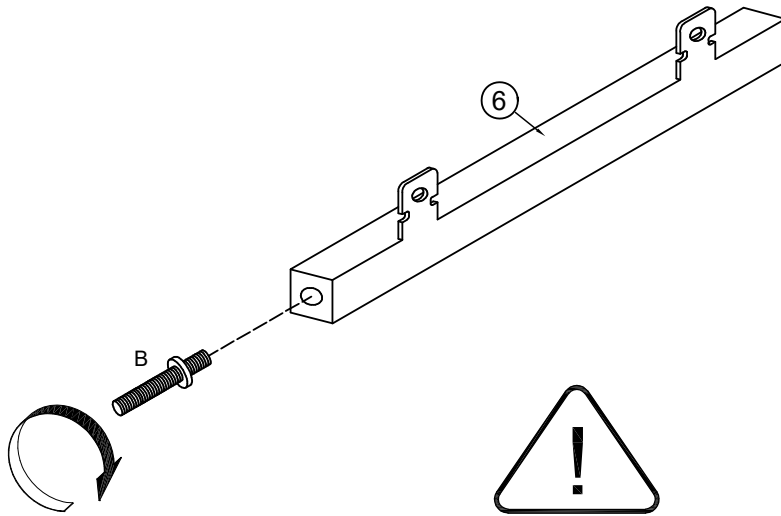
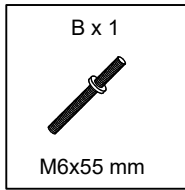
7



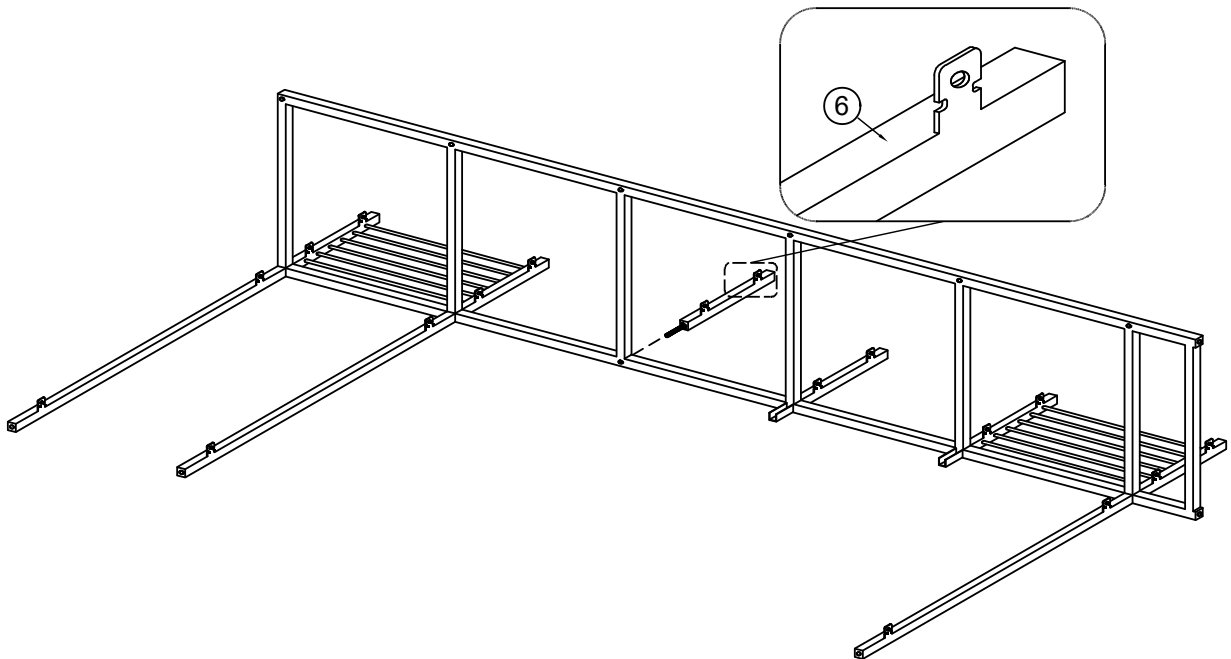
8



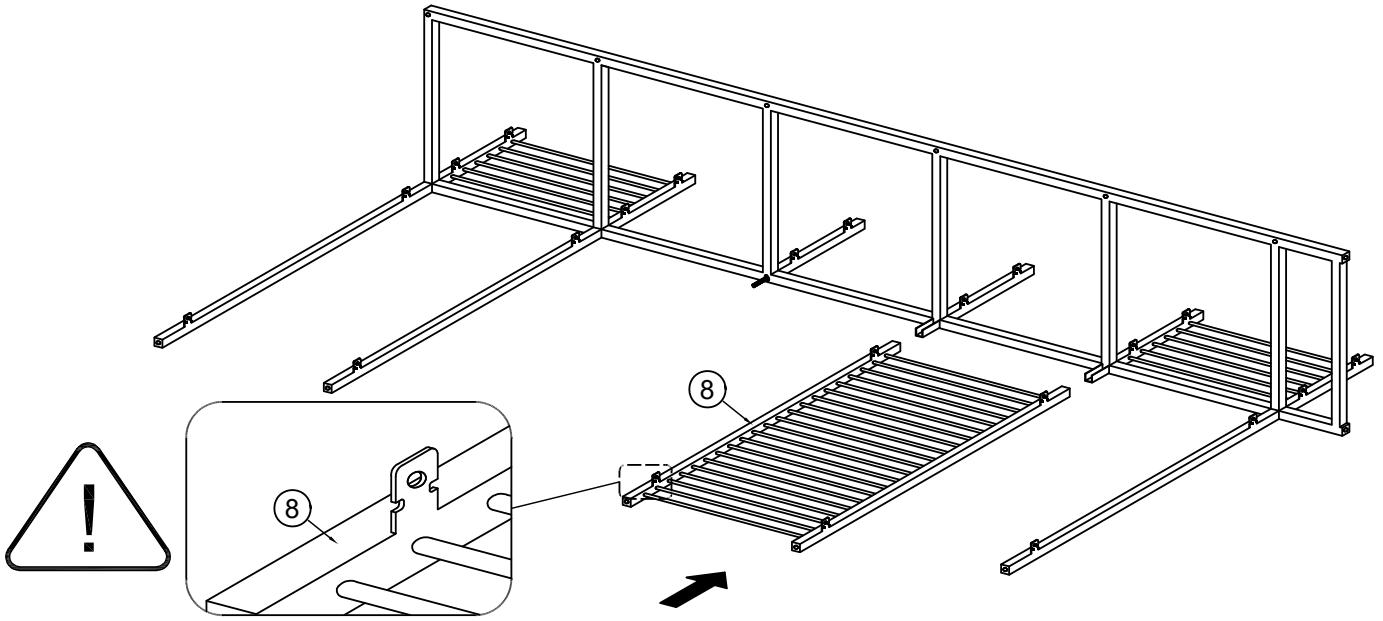
9



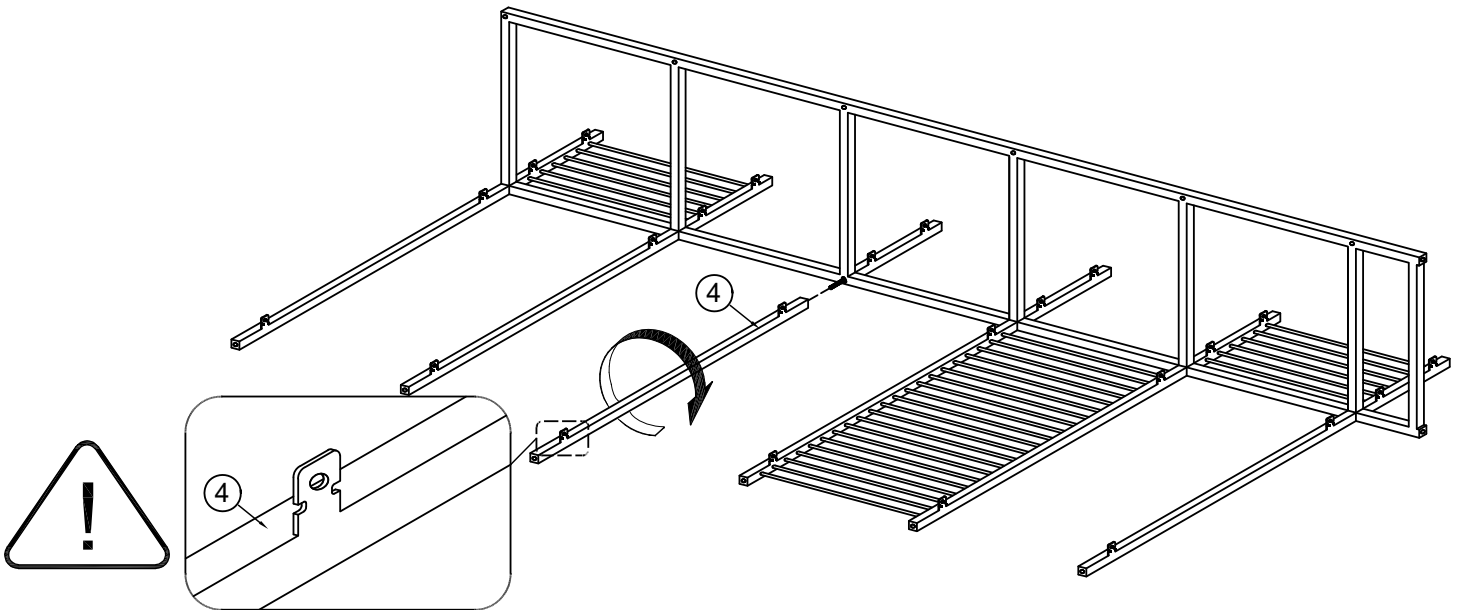
10



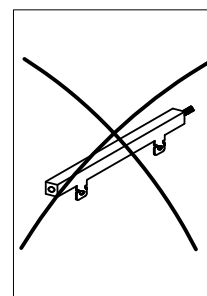
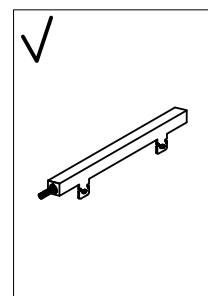
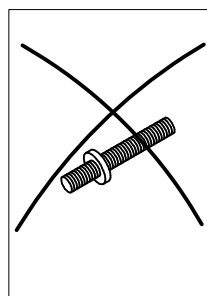
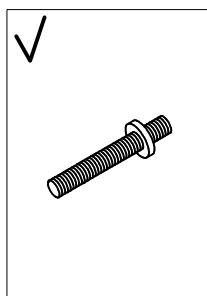
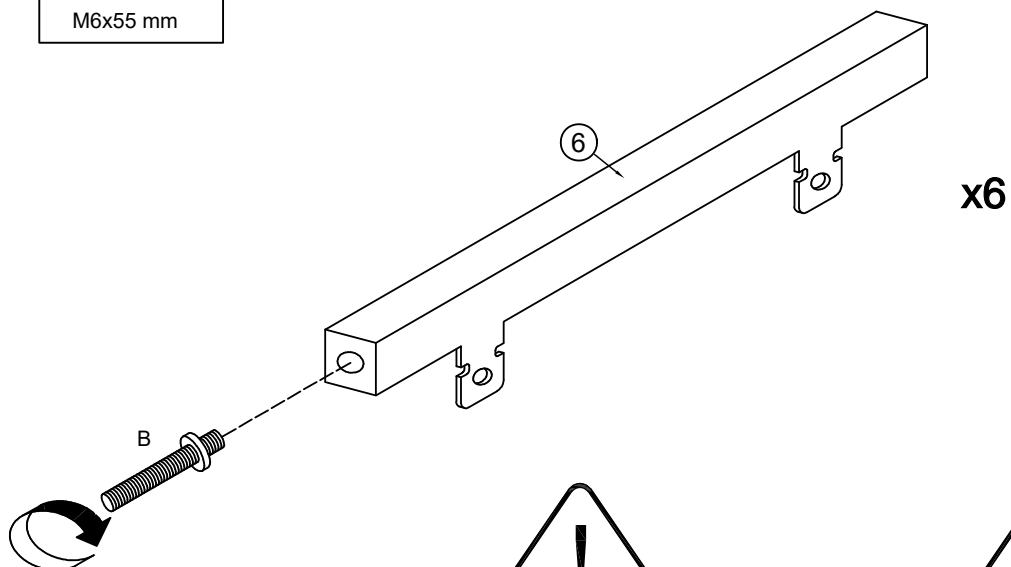
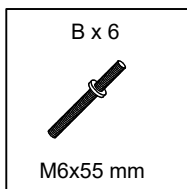
11



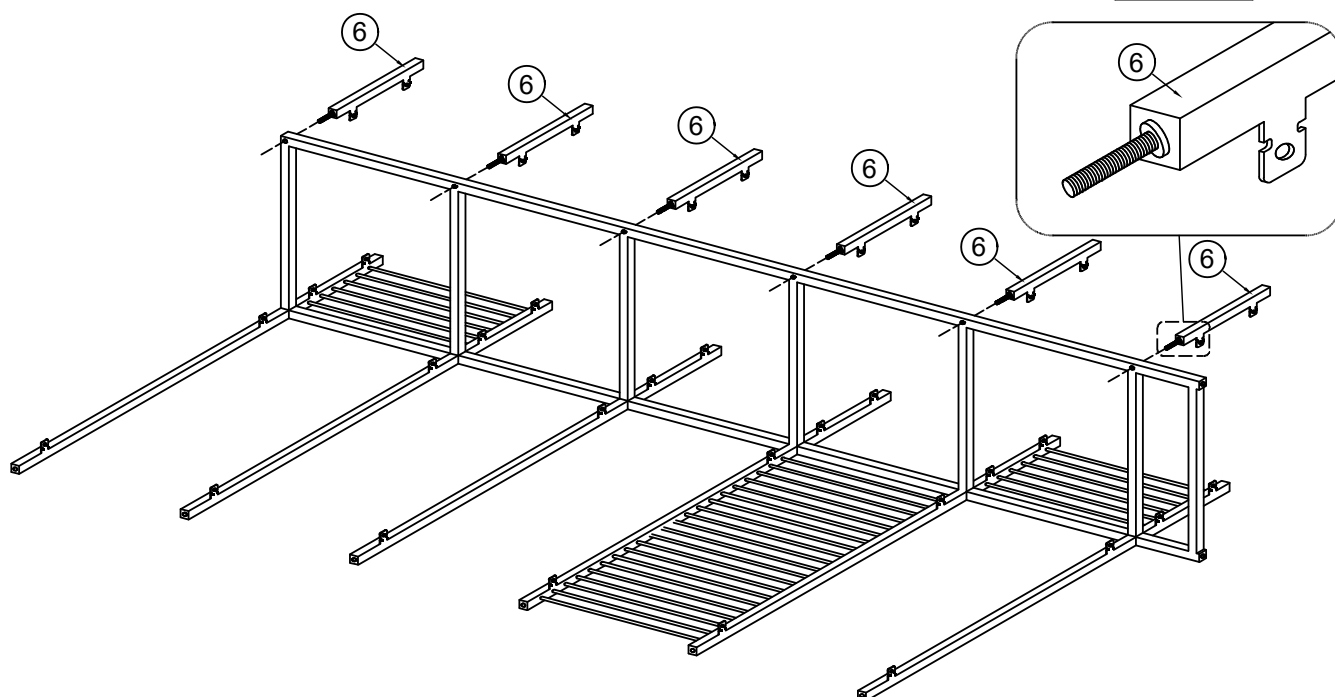
12



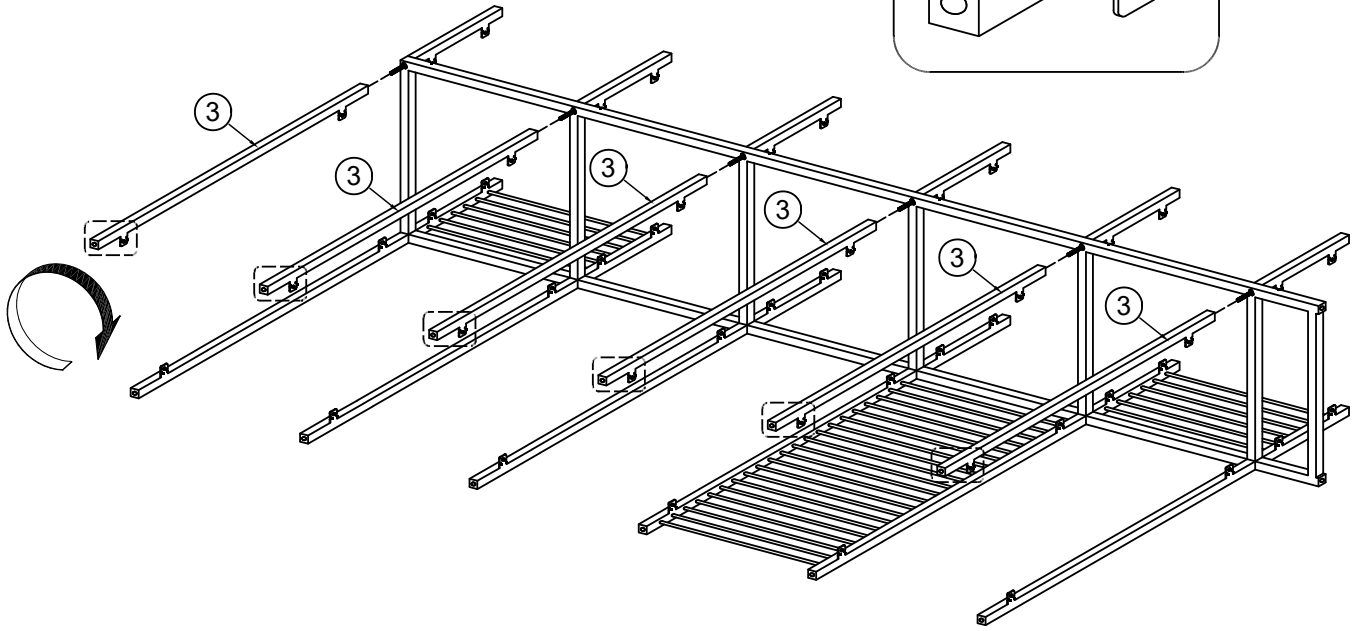
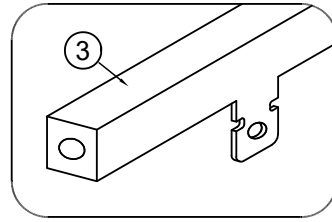
13



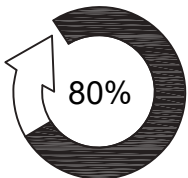
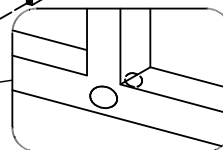
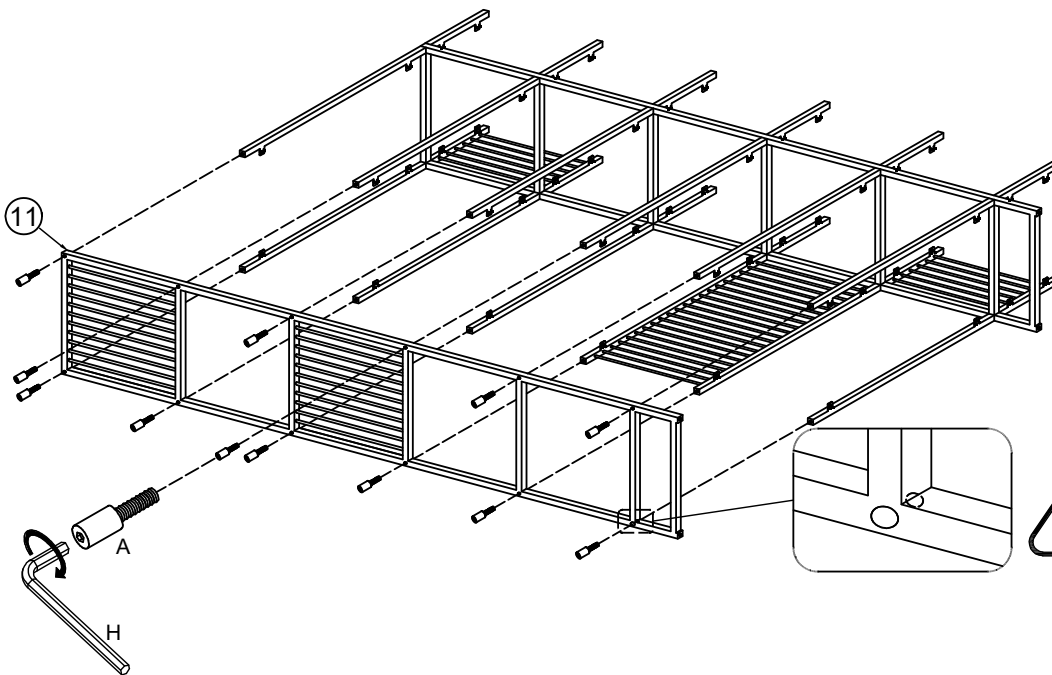
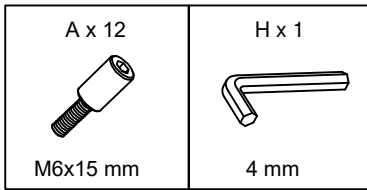
14



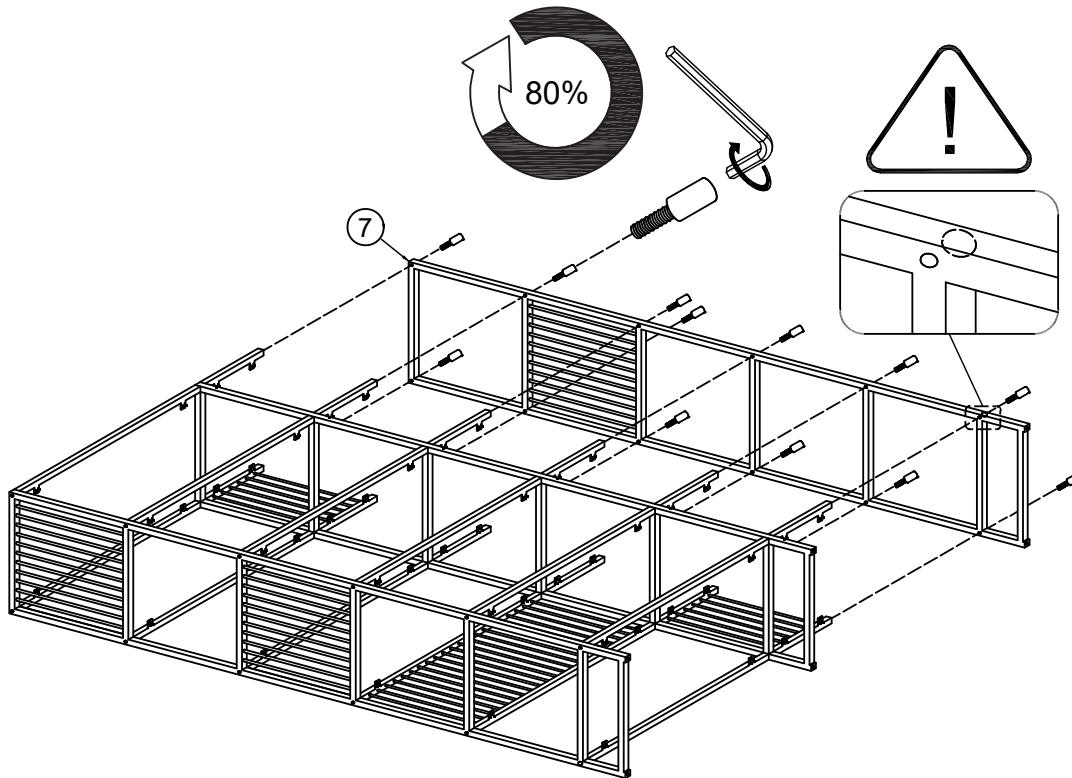
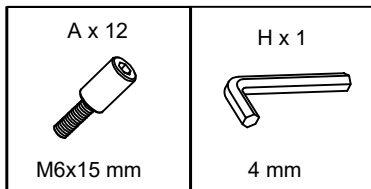
15



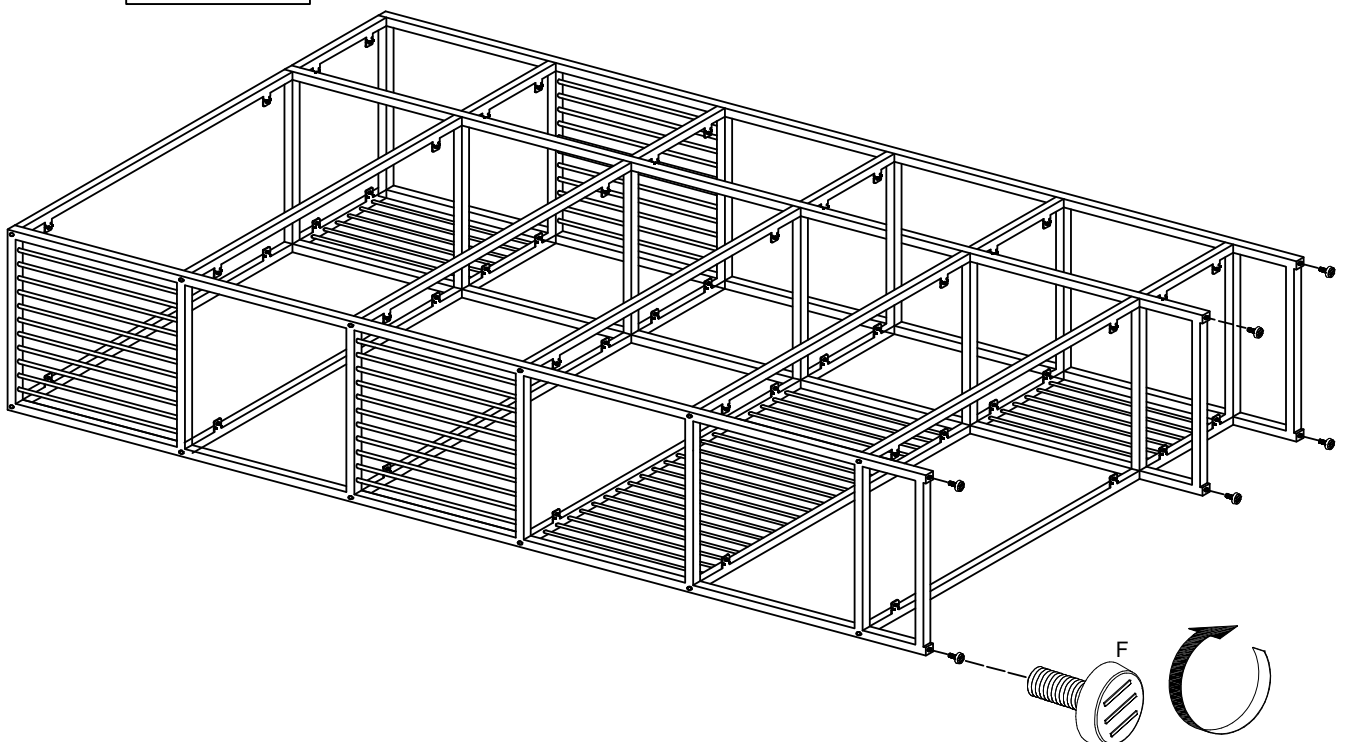
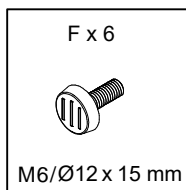
16



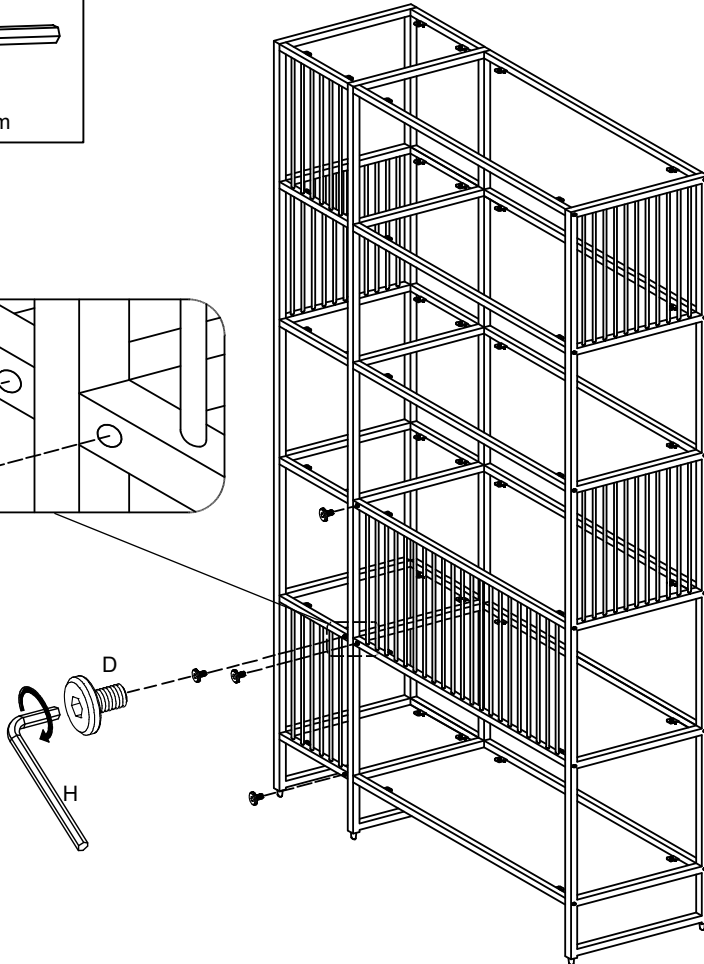
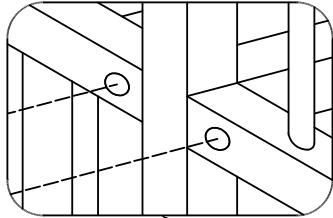
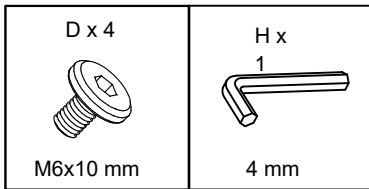
17



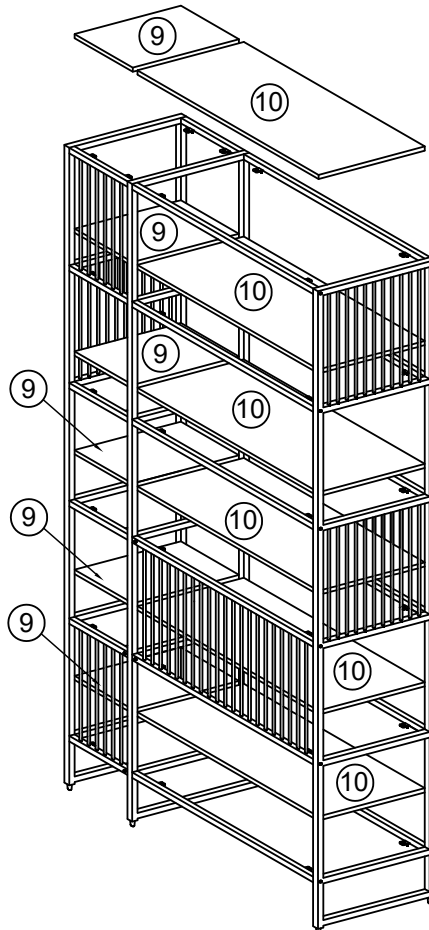
18



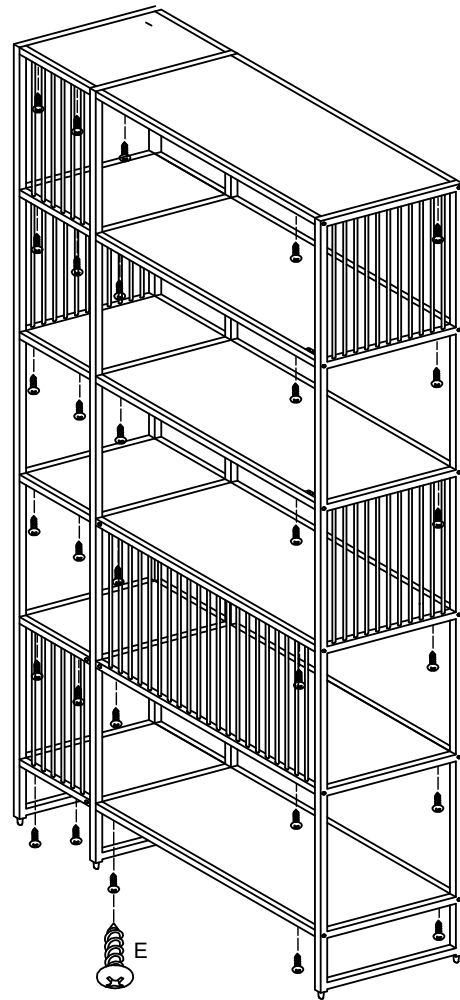
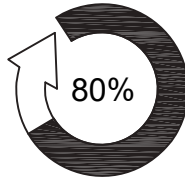
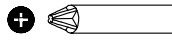
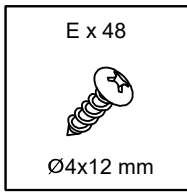
19



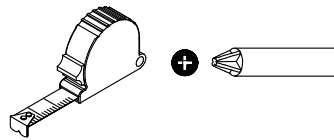
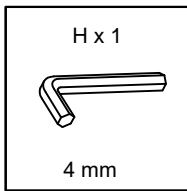
20



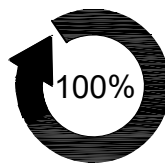
21



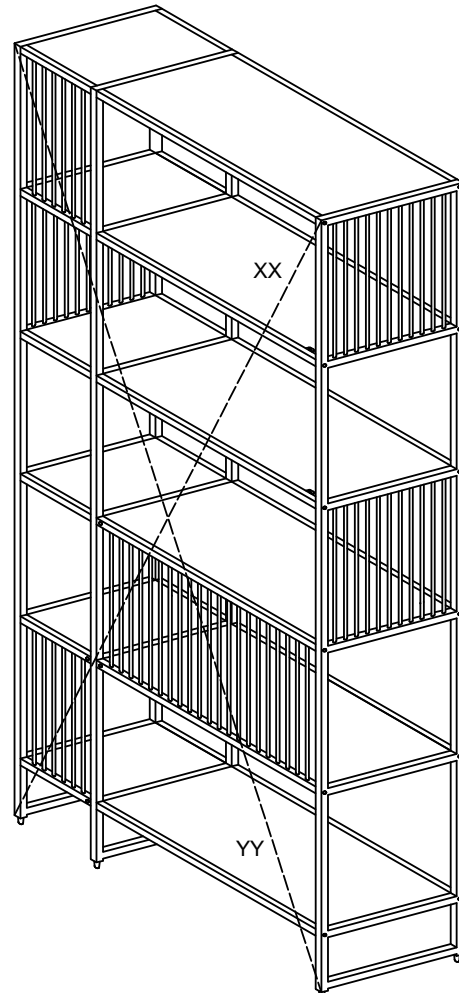
22



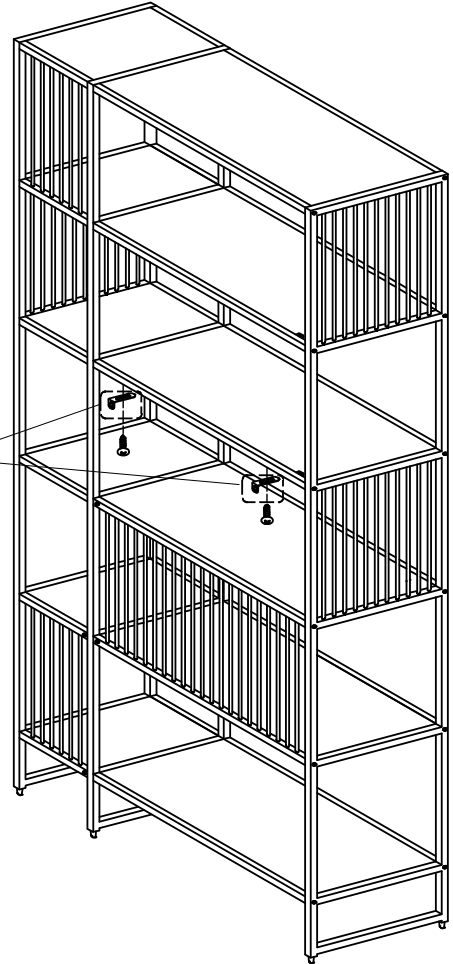
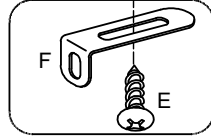
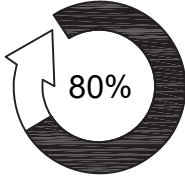
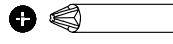
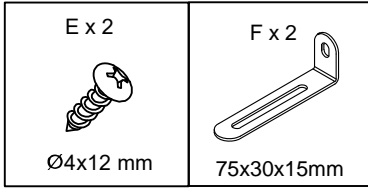
XX=YY



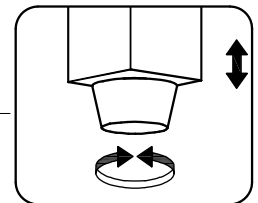
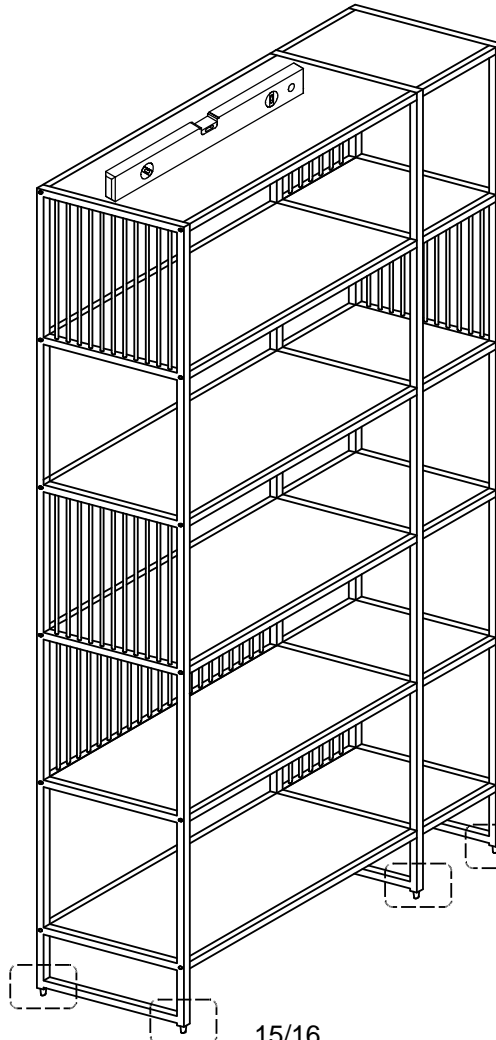
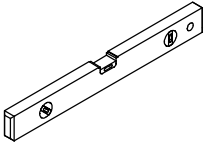
Ax24
Ex48



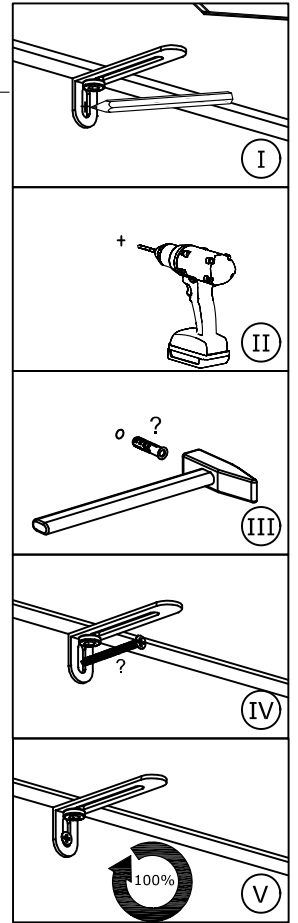
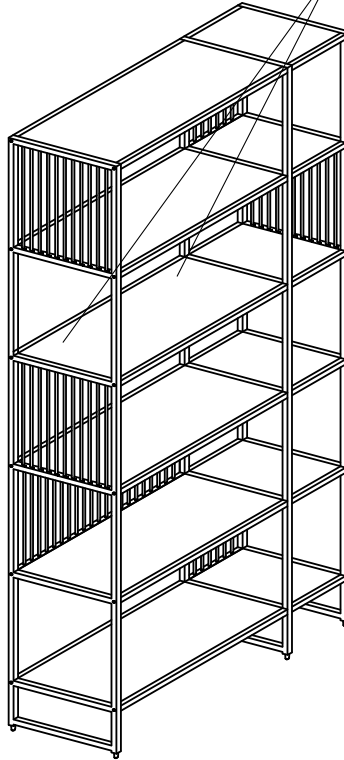
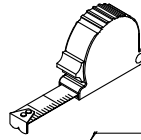
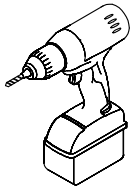
23



24



23



24

