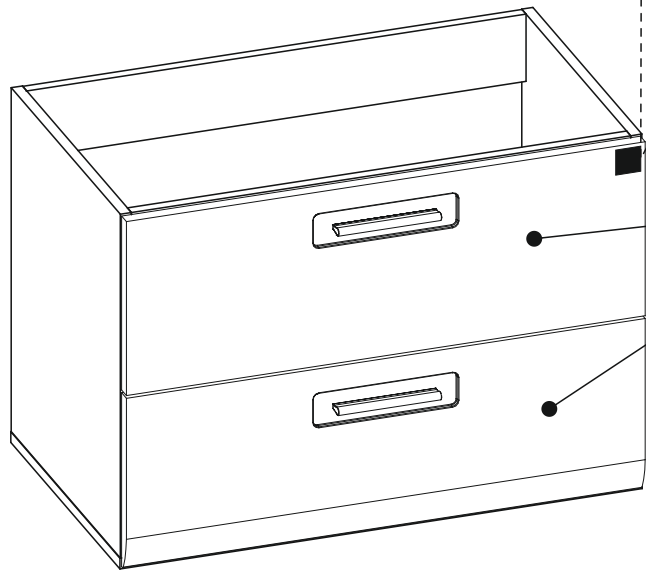
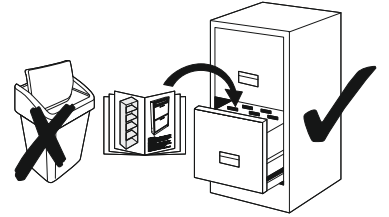
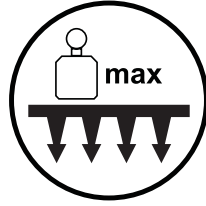
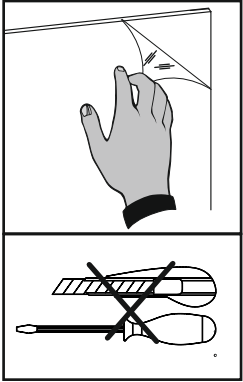


AVENSIS NEW 304

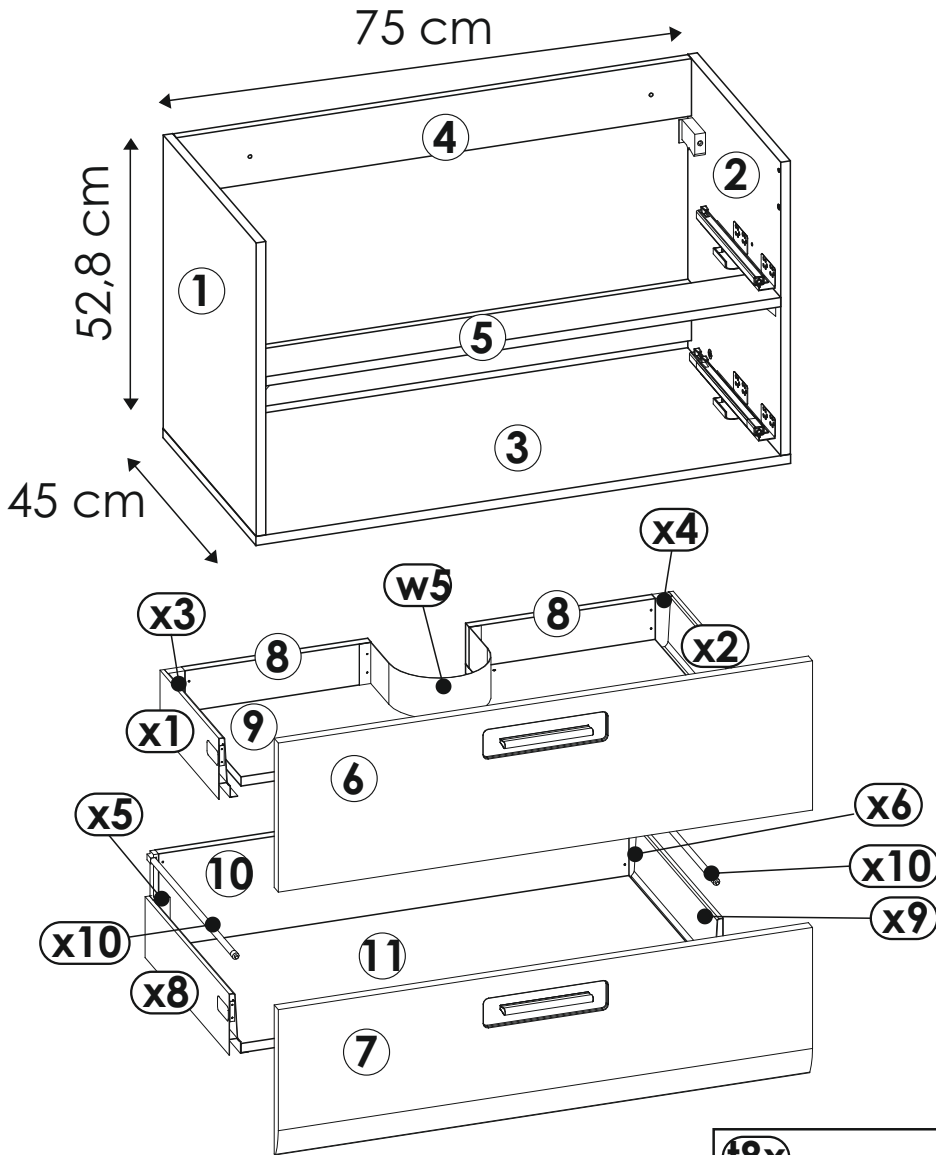


max.
7 kg



1803

AVENSIS NEW 304



a1 8x35 x....(x8)	c3 Euro 6,3x13 x....(x12)	e0 x....(x12)
--------------------------------	----------------------------------------	-------------------------

e1 x....(x12)	et Luca BESSONI x....(x1)	f1 x..(x12)	i2 4x16 x....(x21)
-------------------------	----------------------------------------	-----------------------	---------------------------------

h1 x....(x2)	i4 3,5x40 x....(x2)
------------------------	----------------------------------

k3 4x22 x....(x4)	m x....(x1)	p8a R x....(x1)	L x....(x1)
--------------------------------	-----------------------	------------------------------	-----------------------

n2 3,5x16 x....(x18)	p8b x....(x2)
-----------------------------------	-------------------------

f7x L-270 x....(x1)

f8x L-400 x....(x1)

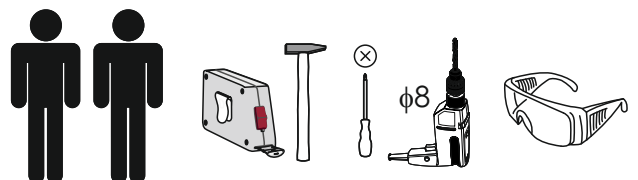
w1 x....(x2)	x7 a b x....(x2)
------------------------	-------------------------------

x11 x....(x4)

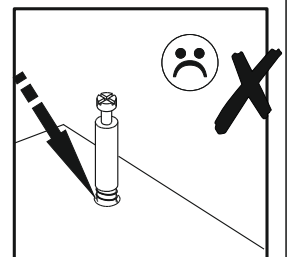
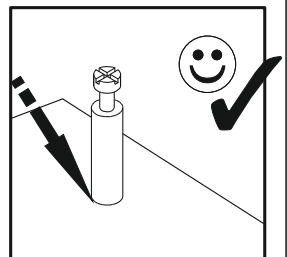
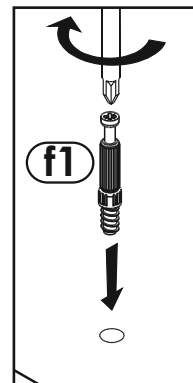
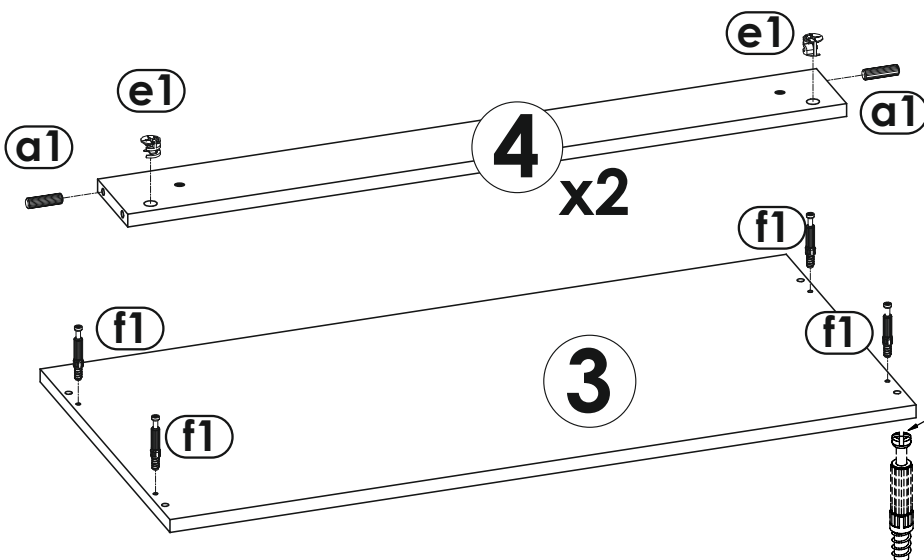
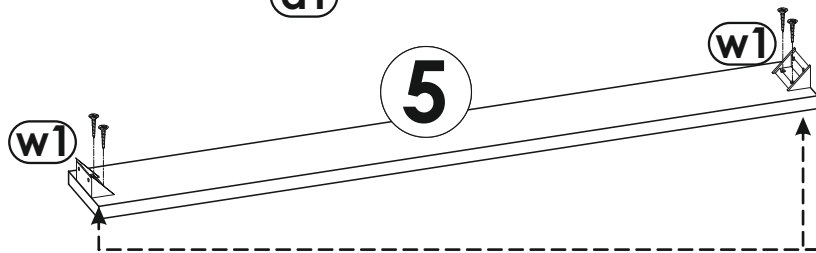
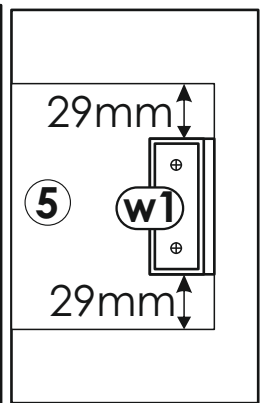
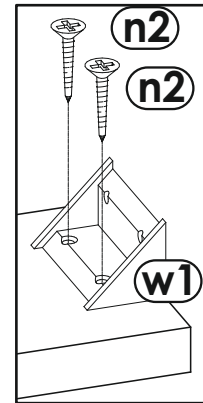
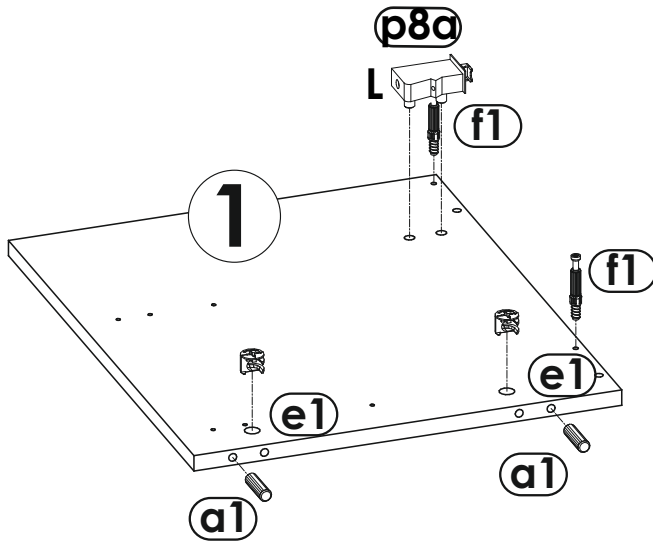
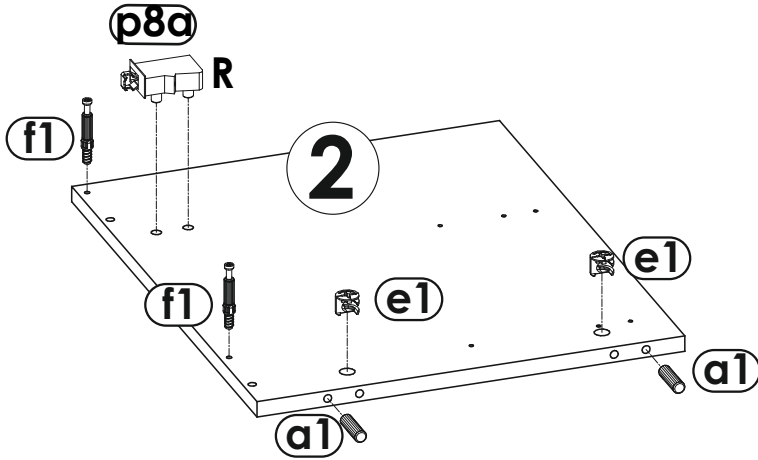
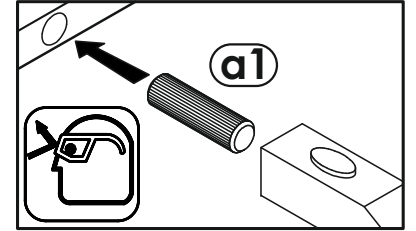
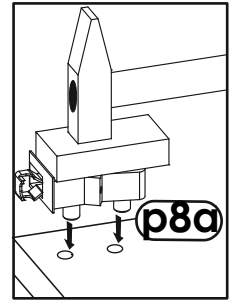
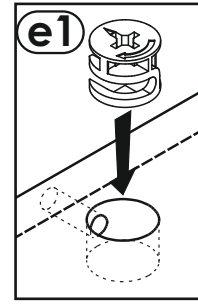
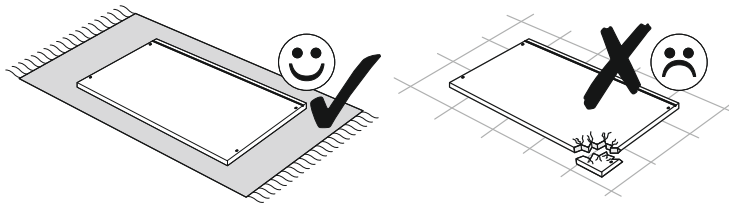
x12 x....(x1)

x13 x....(x2)

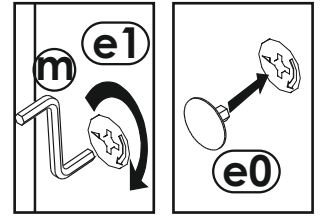
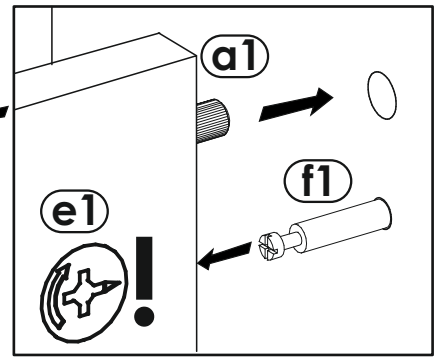
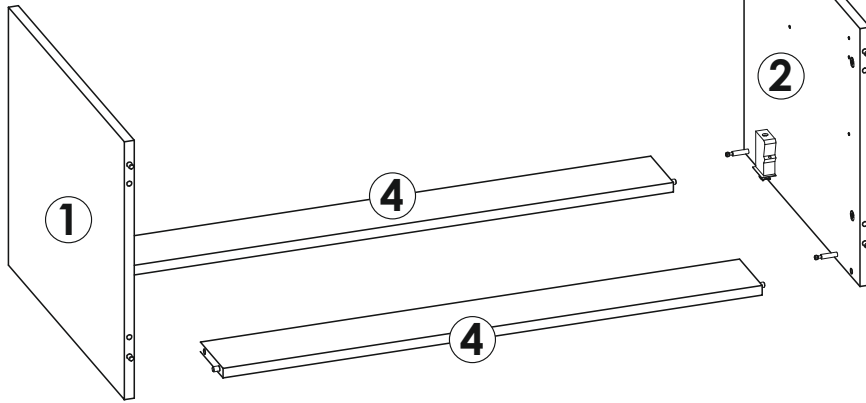
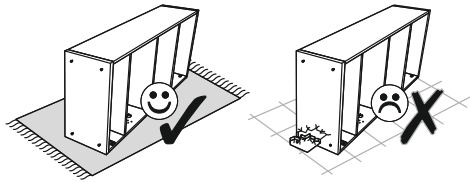
y1 5 cm x....(x8)



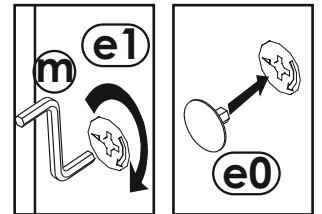
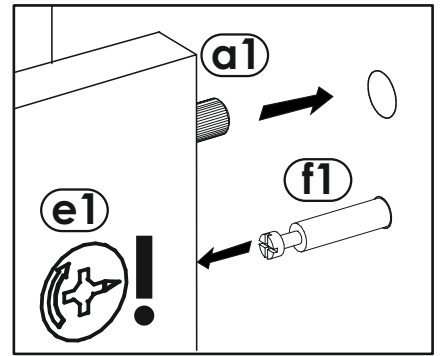
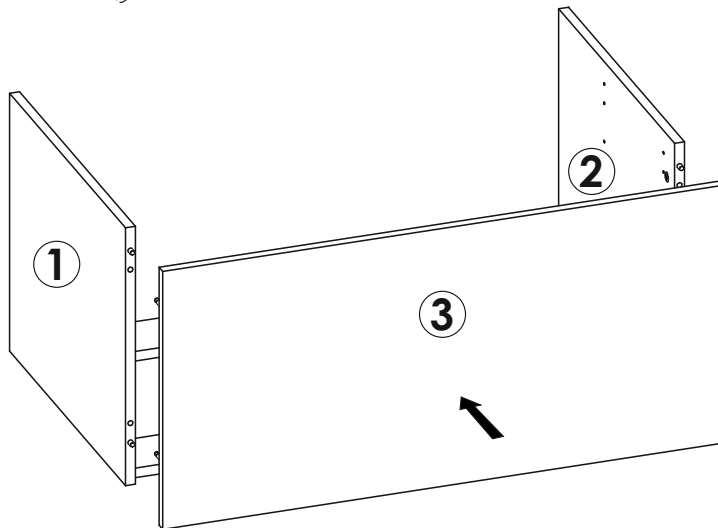
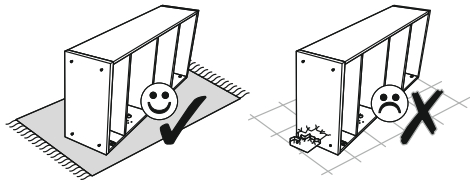
1



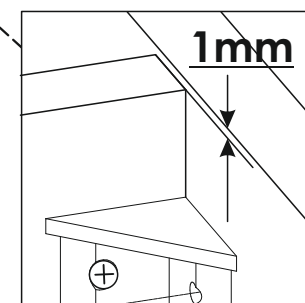
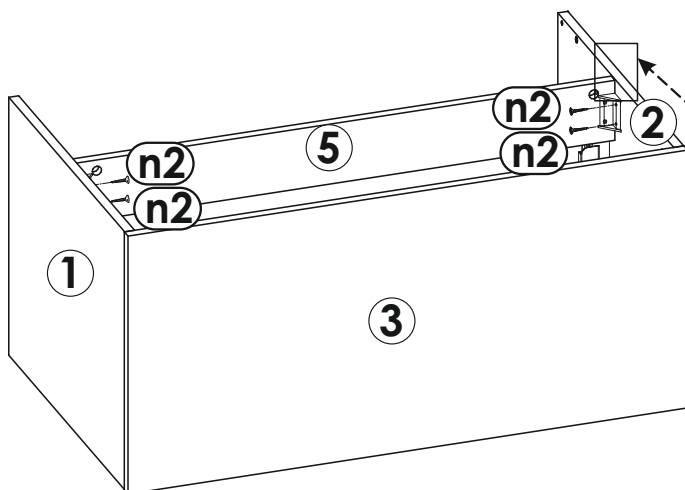
2



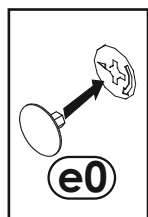
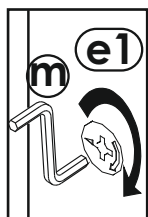
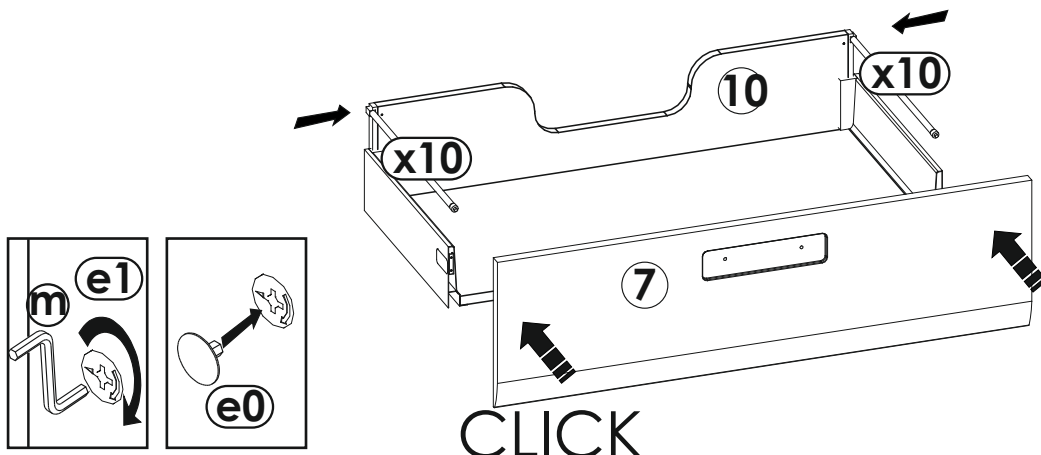
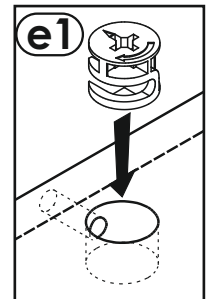
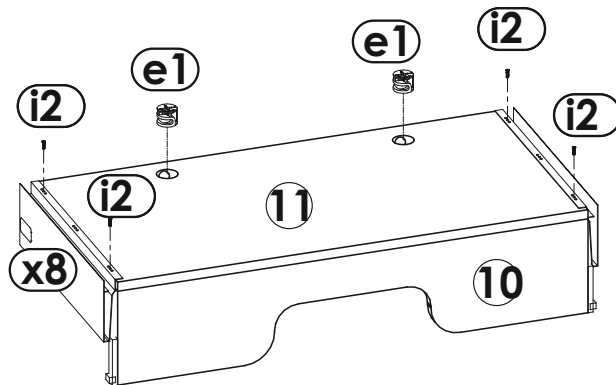
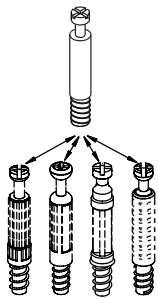
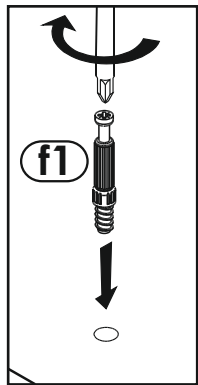
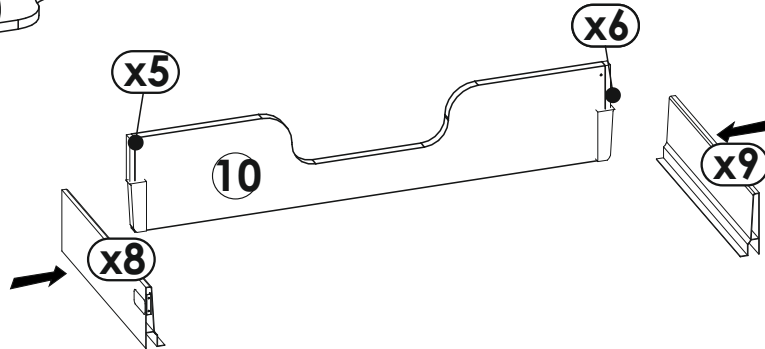
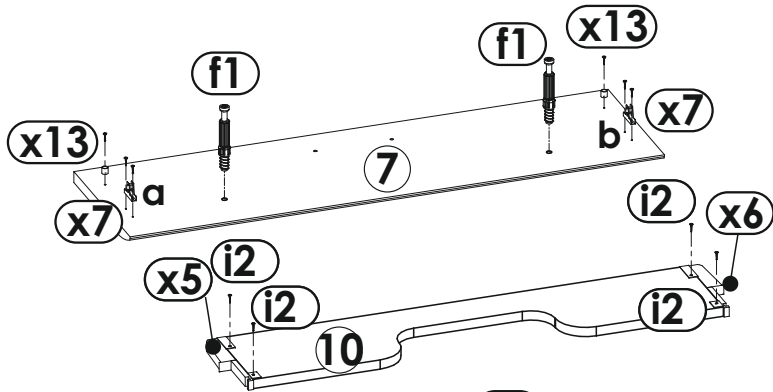
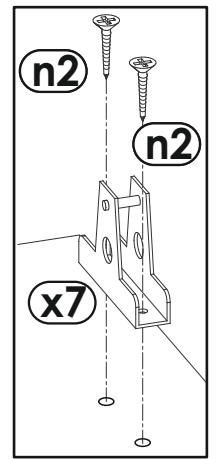
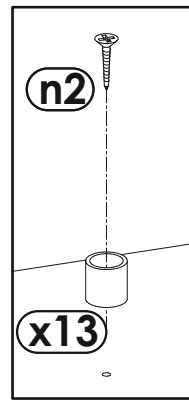
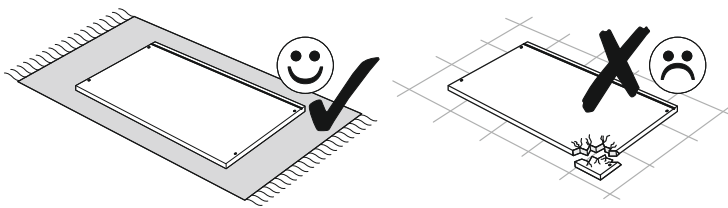
3



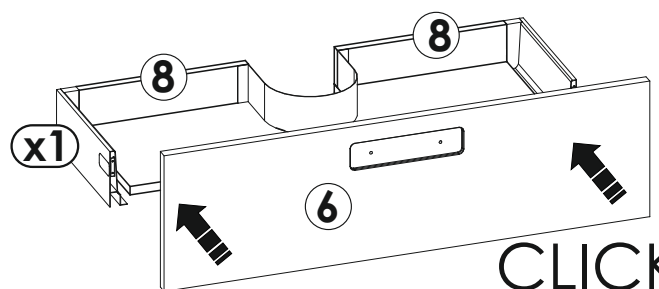
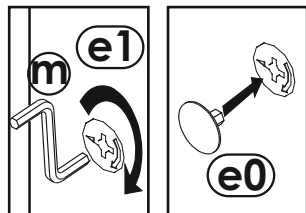
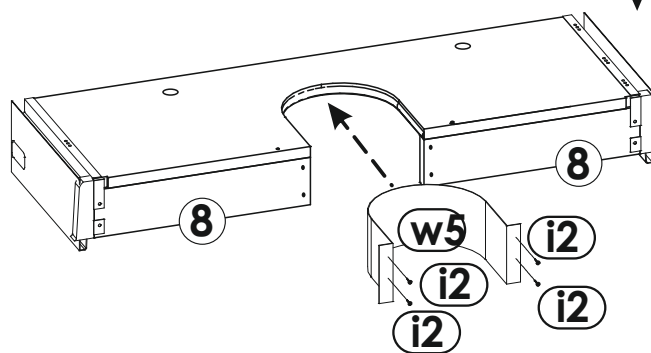
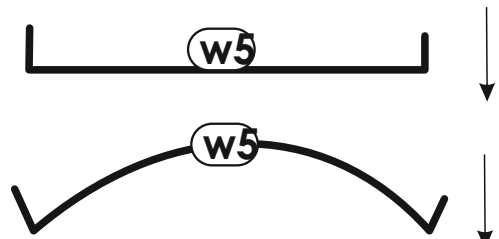
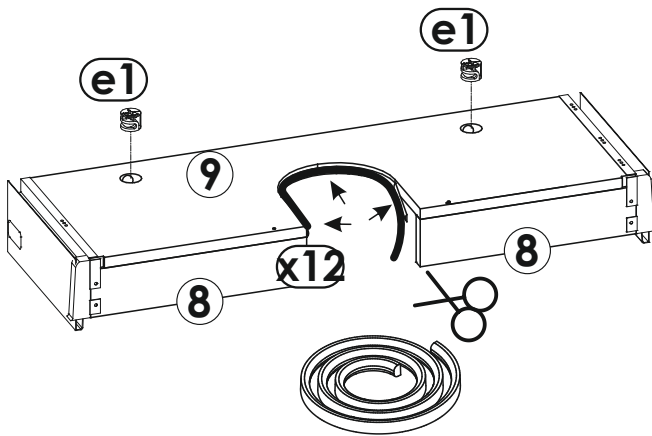
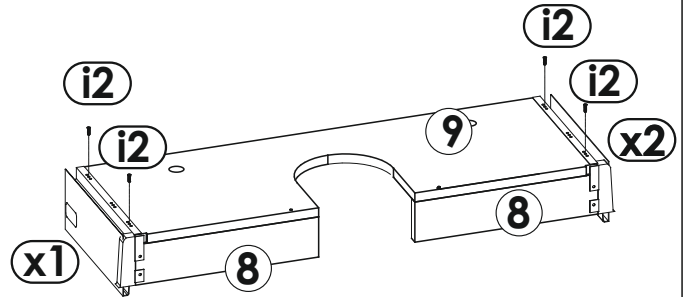
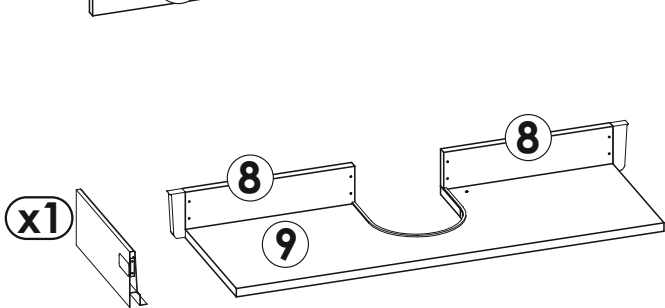
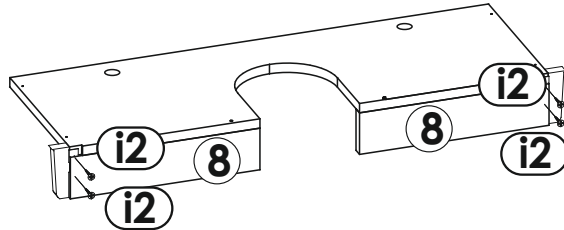
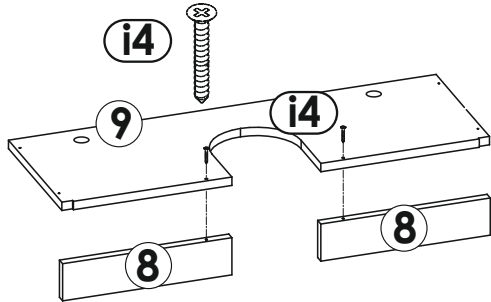
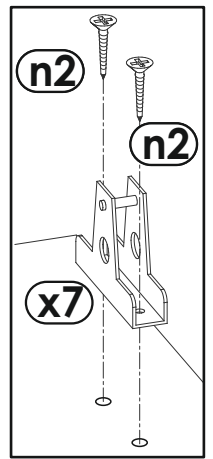
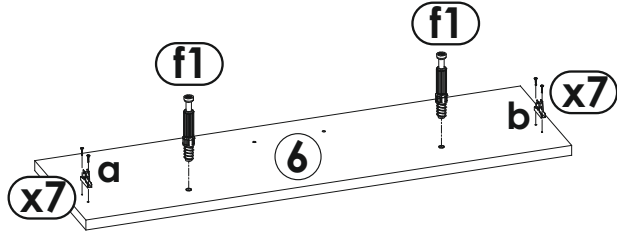
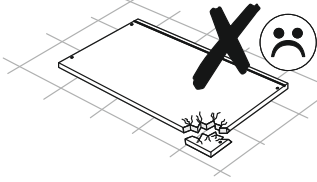
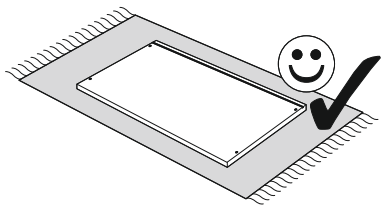
4



5

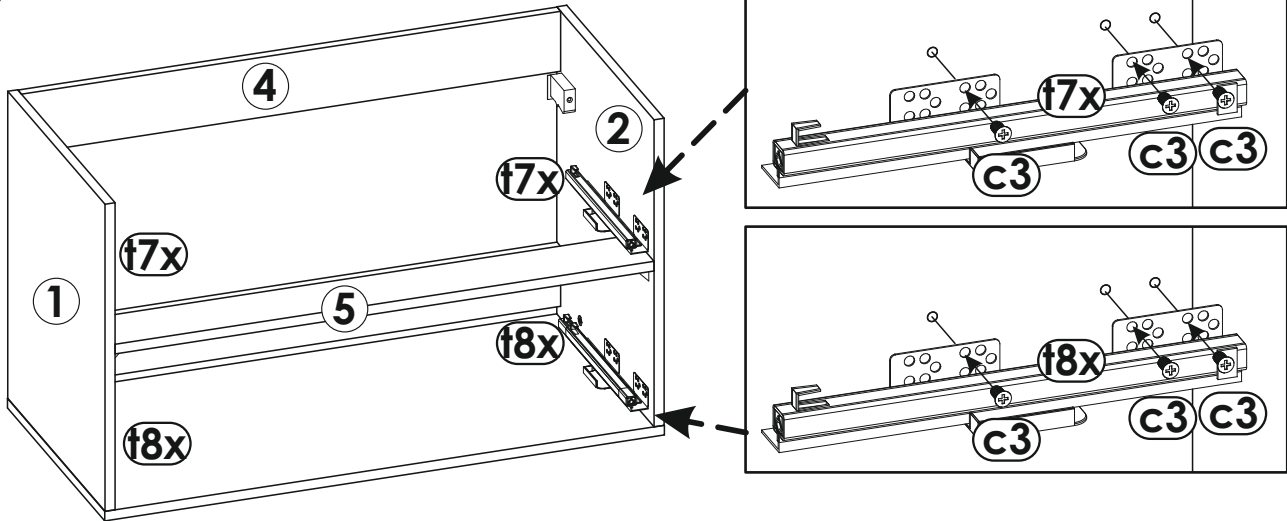


6

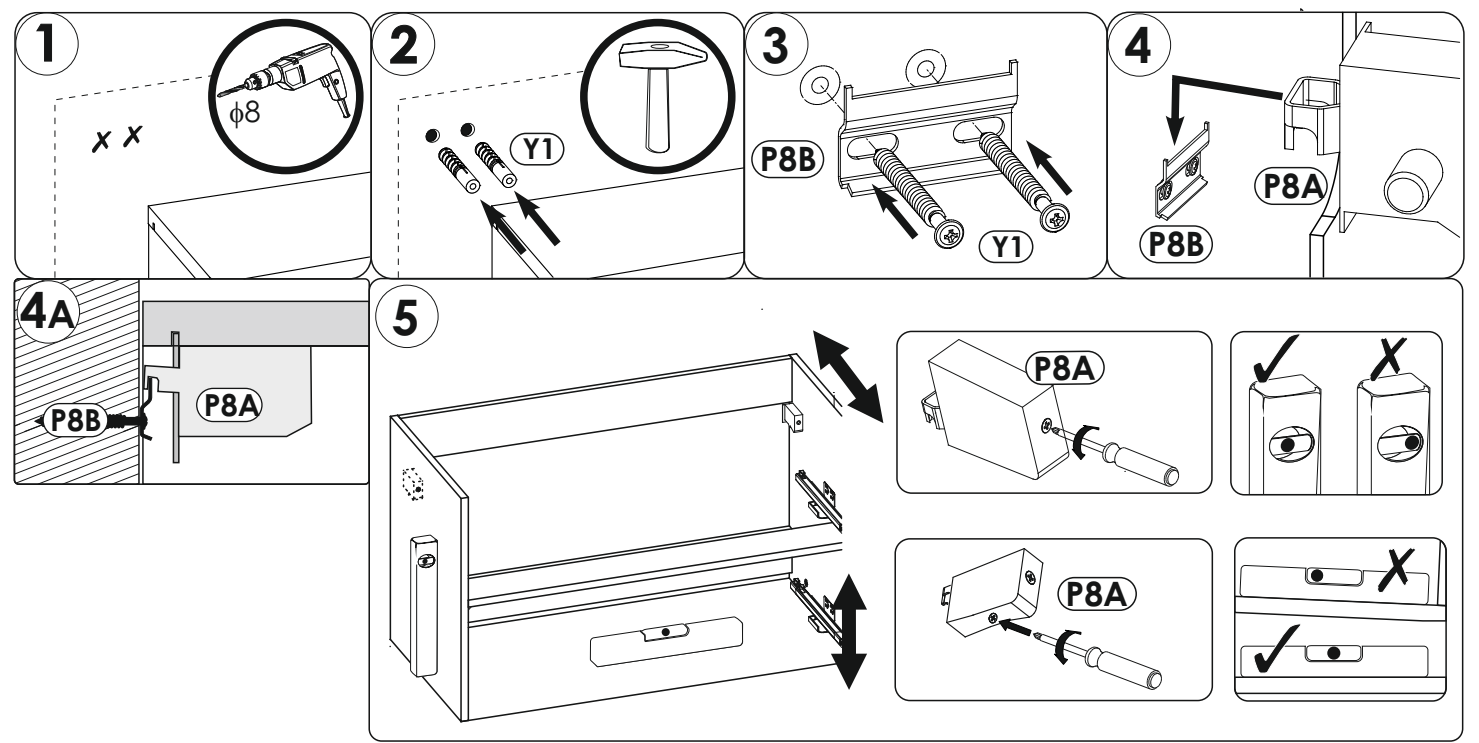
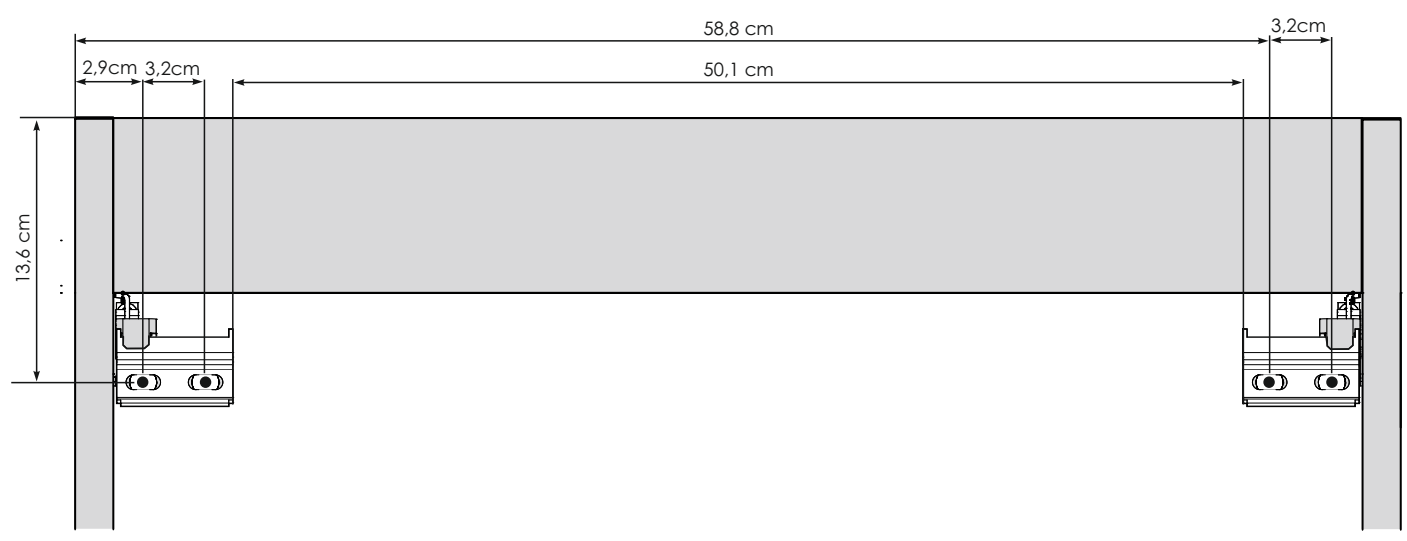
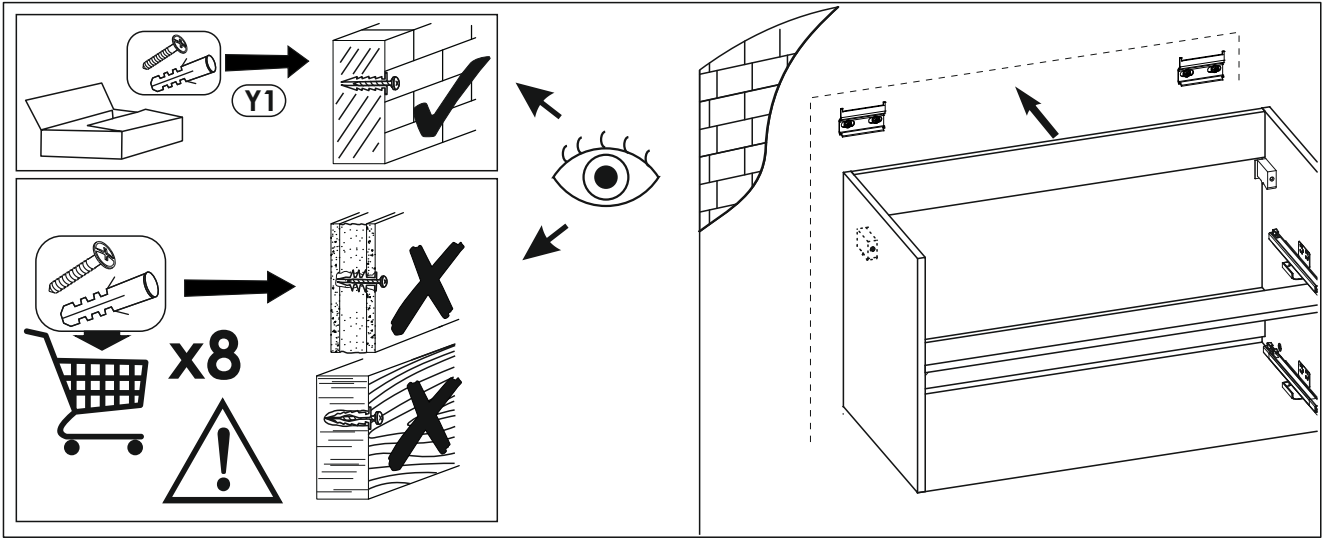


CLICK

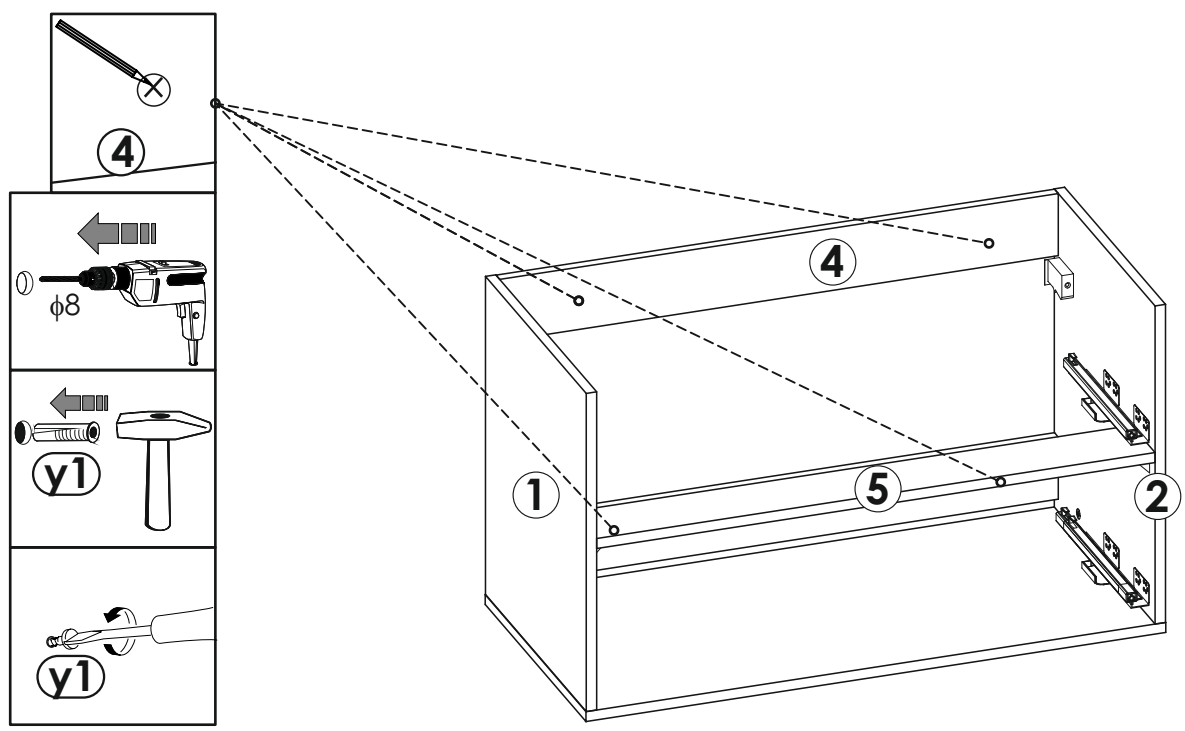
7



8



9



10

