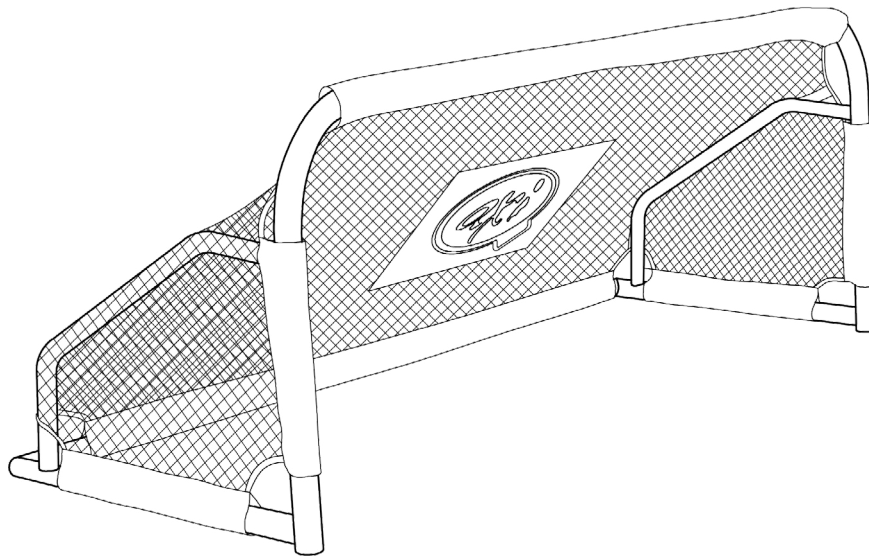




# StreetCup150

## A030.402.00

### User manual



Handleiding bewaren voor later gebruik  
Keep instructions for later use  
Anleitung zum späteren Gebrauch aufbewahren  
Conserver la notice pour usage ultérieur  
Guardar estas Instrucciones para su uso future  
Conservare l'istruzioni per uso successivo



#### **WARNING**

**CHOKING HAZARD**  
**small parts**

Not suitable for children under  
36 months



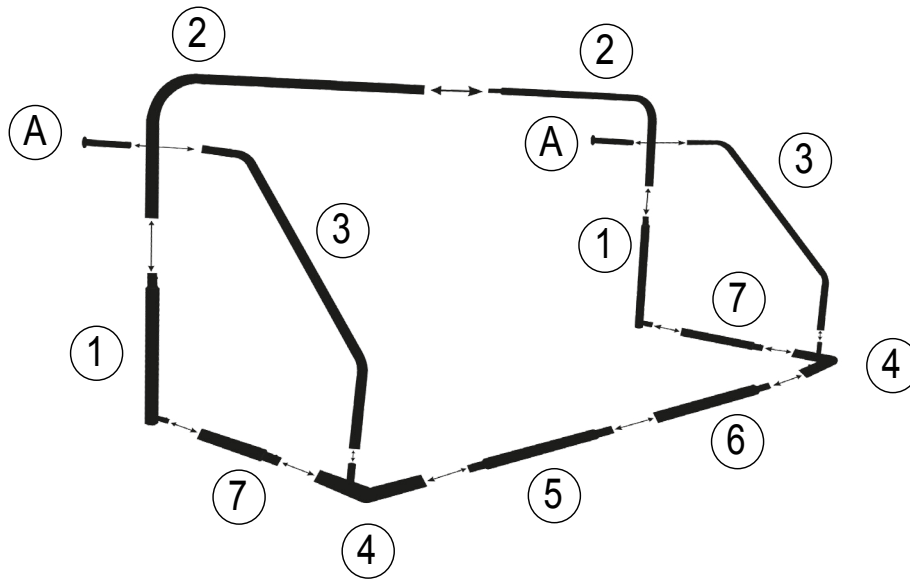
#### **WARNING**

**THE TOY IS TO BE ASSEMBLED BY  
AN ADULT.**



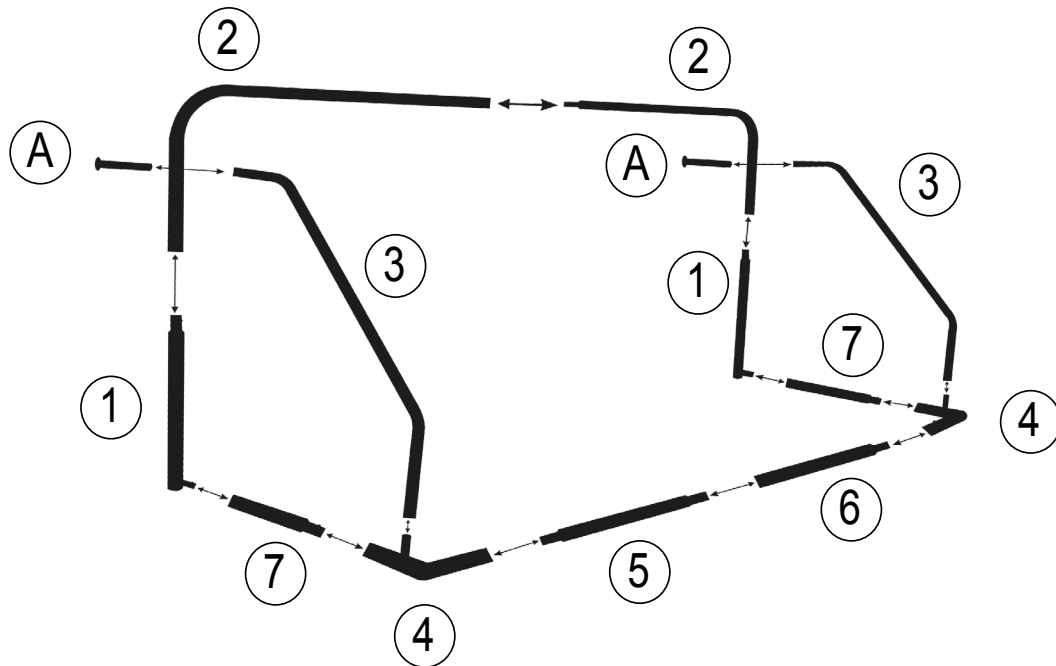
#### **WARNING**

Potential hazard description, e.g. In  
unassembled state contain potentially  
hazardous sharp points, so please  
keep out of baby's reach

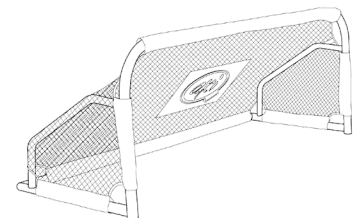


1		2 PCS	5		1 PC
2		2 PCS	6		1 PC
3		2 PCS	7		2 PCS
4		2 PCS	A		2 PCS

## ASSEMBLY



1. Sort out the different components from each other according to the picture above.
2. Assemble the base (4, 5, 6, 7) and then assemble the front part (1, 2) of the frame including the crossbar and the L-bend pipes. The push buttons help in securing the pipes into position.
3. The back supports (3) must be assembled after step 2 has been completed.
4. The open end of back support fits into the pipe collar on the rear connectors welded on the base of the goalpost. The top and front part of the back support must be secured with the L-bend pipes using the bolt (A). The bolt can be tightened using an Allen Key (included in the kit).
5. Unfasten all the zippers and/or hook & loop connectors on the net.  
The zipped sleeves are fitted on the front crossbar and on the rear crossbar of the goalpost.  
NOTE: If you are standing opposite the goalpost and facing it from the front, the print on the net and on the top/front crossbar sleeve must be facing you. Invert the net if this is not the case.
6. The sleeves with hook and loop fasteners sewn on them wraps around the 2x vertical side supports (on the front) and the 2x horizontal side supports (on the base) respectively.
7. The Target Wall shall be secured on the front of the goalpost by meshing the hook and loop fasteners on the wall with the fasteners on the net.
8. The elastic loops wrap around the radius of the L-bent pipes and then secured into place using the buttons.



**The goalpost is now ready to use.**



## **WARNING**

1. This goalpost is made from Steel. Do NOT leave the goalpost in open after use because moisture will lower the life of the goalpost . Avoid bringing the goalpost in contact with water, moisture, dampness of any kind.
2. Store in a cool and dry place
3. Do NOT leave the goalpost unnecessarily exposed to UV rays and direct sunlight.
4. This goalpost is NOT a toy. Children under 10 years of age must only assemble under the supervision of an adult.
5. The ground anchors can be dangerous for children. Exercise caution while using them! The manufacturer or the seller are not liable for any complications arising from the misuse of this product.

## **CLEANING AND DRYING**

1. Do NOT wash the goalpost. Only wipe clean with a dry cloth.
2. The net and Target wall must only be washed in lukewarm water and a regular soap.
3. Drip dry in shade only.
4. Avoid contact with any corrosive liquids or substances such as water, salt water, fuel, kerosene, etc at all times. Oils and such chemicals can damage the net and reduce their life significantly.

## **STORAGE AND TRANSPORT**

1. Store in a cool and dry place, away from sunlight and dampness. Damp environment may lead to development of mold on the net and Target Wall.
2. Always carry around in its bag. Make sure that the sharp end of the anchors are covered with the rubber cap. Not doing so may damage the bag, other components inside the bag as well as anything surrounding the goalpost.
3. Secure the pipes in such a way that they do not move or rub against each other.