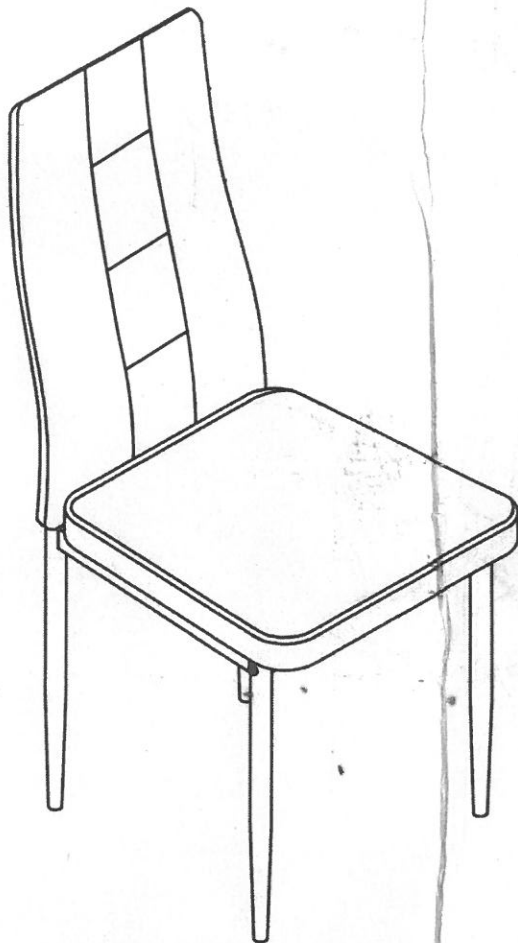
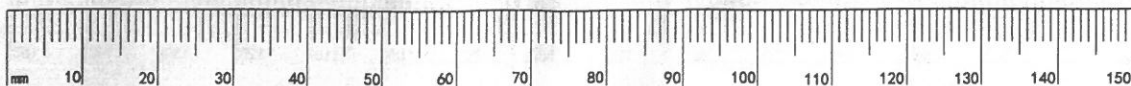


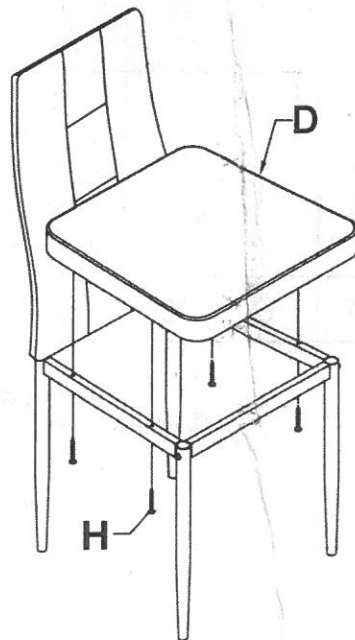
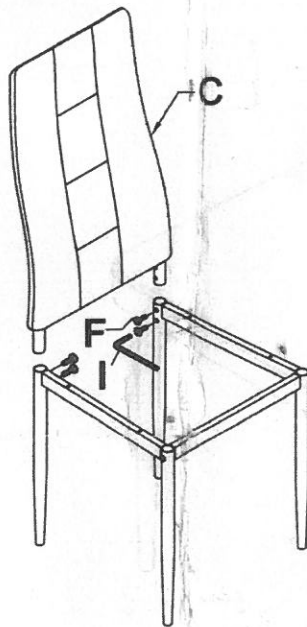
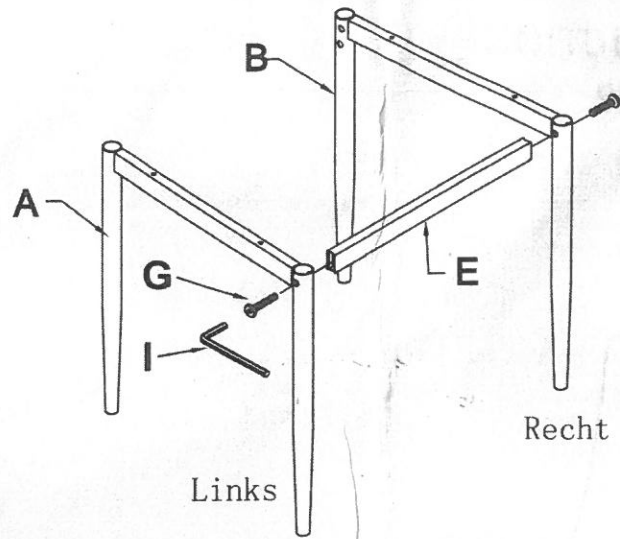
ASSEMBLY INSTRUCTION-

07580081-02



| | | | | |
|-------------|-------------|--------------|-------------|-------------|
| Links | Recht | Backrest | Seat | Rod |
| A X1 | B X1 | C X1 | D X1 | E X1 |
| M6x16mm | M6x40mm | M4x42mm | 4mm | |
| F X4 | G X2 | H X4 | I X1 | |





2-2

