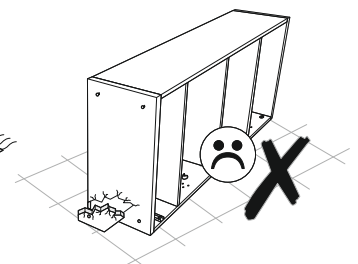
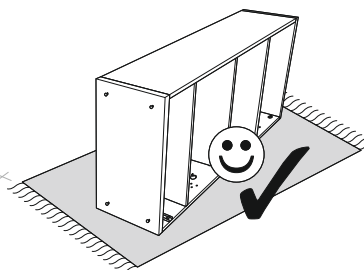
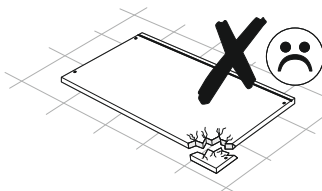
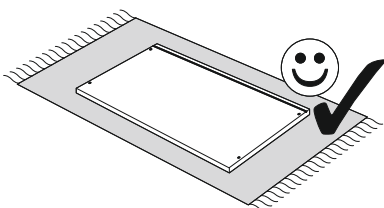
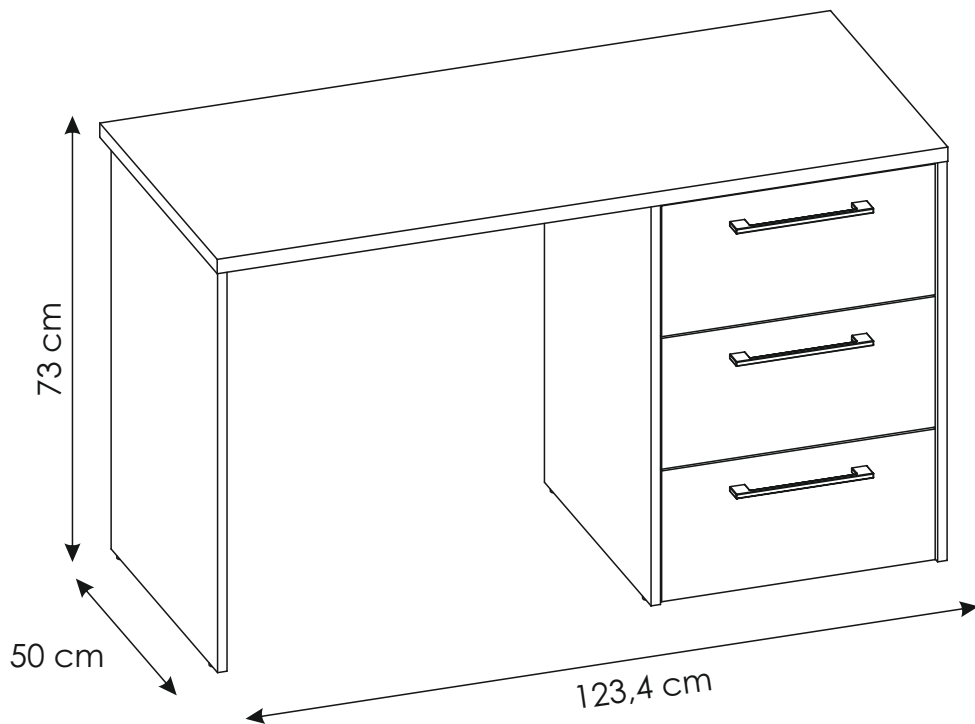
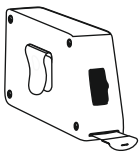
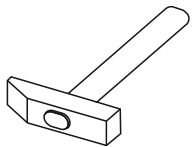
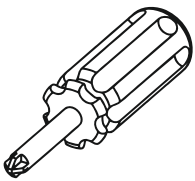
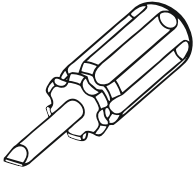
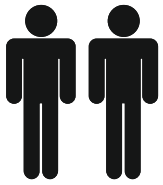
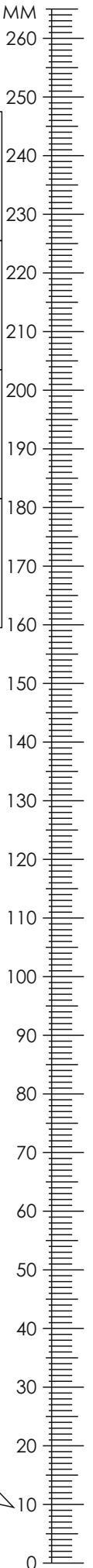


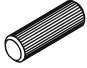



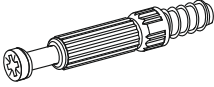

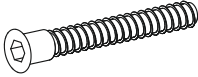
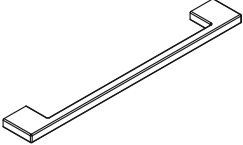

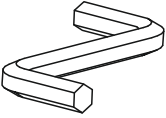
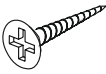
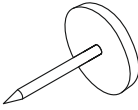
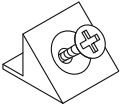
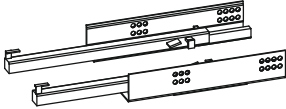
BOX TYP 01

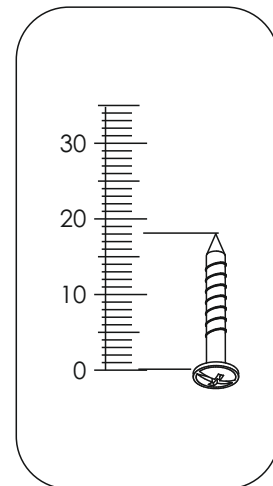




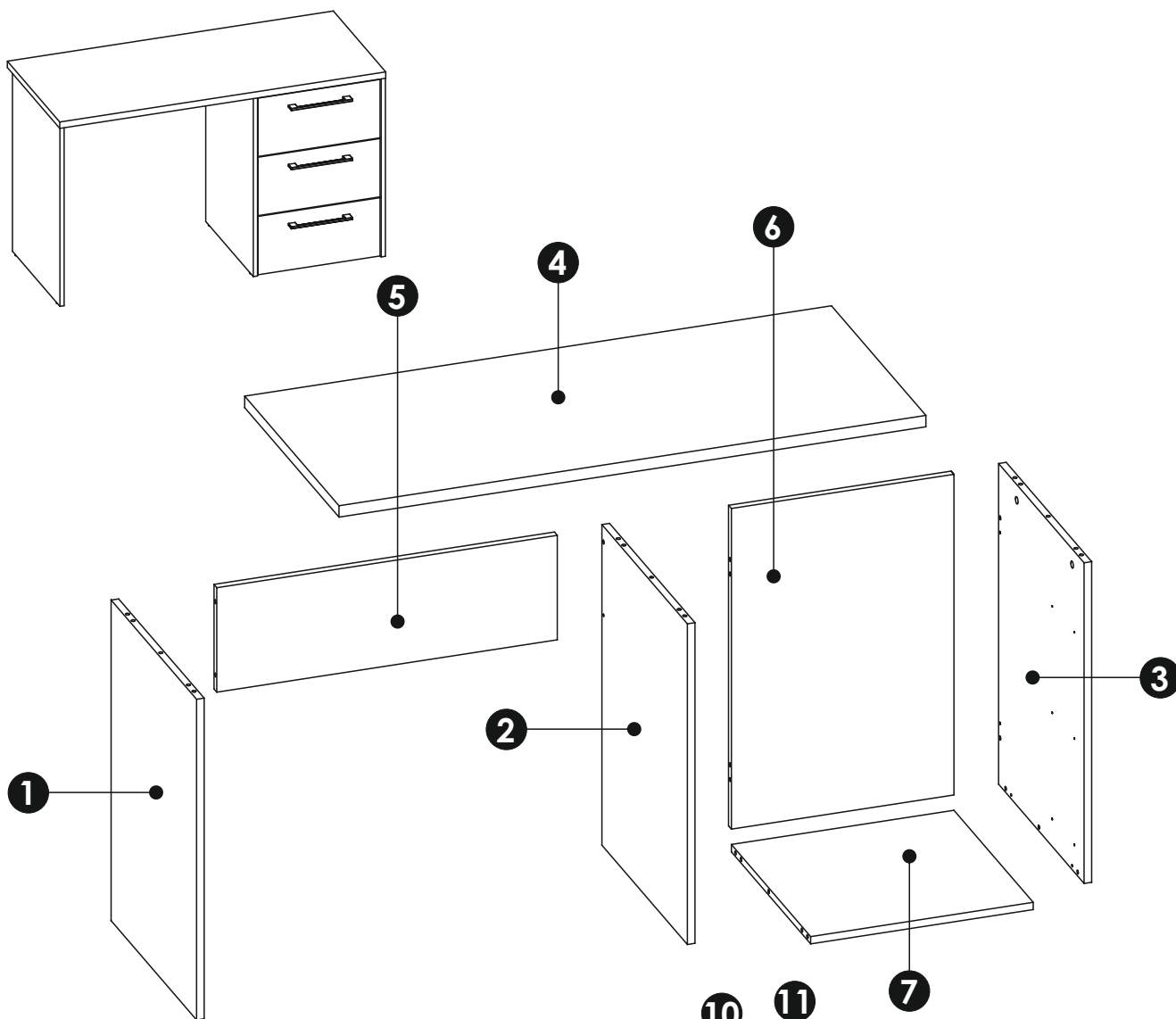
BOX TYP 01



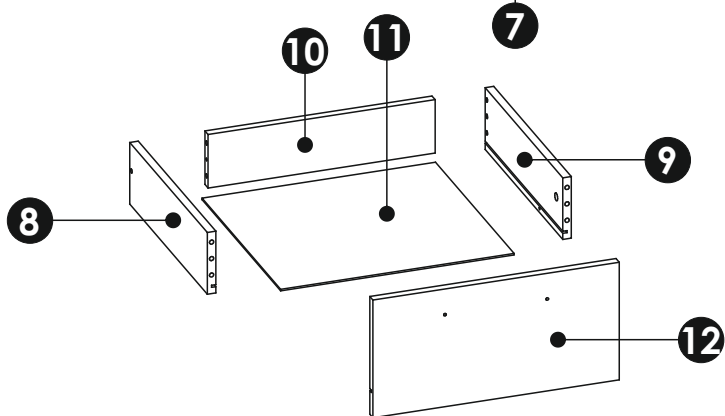
A1 8 x 35 mm x45 	C2 5 x 13 mm x12 	E0  x22
E1 15 x 12 mm x22 	F1 6 x 34 mm x22 	G0  x6
G1 7 x 50 mm x6 	H1  x3	I11 4 x 27 mm x6 
M  x1	N1 3 X 16 mm x20 	O2  x6
R4  x3	T11 L-410 x3 	

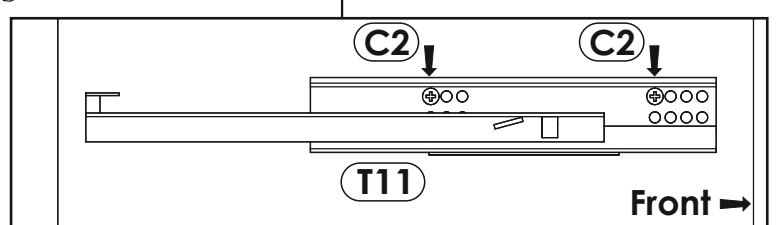
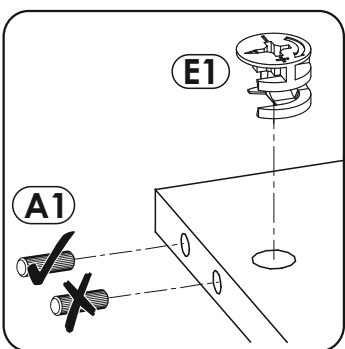
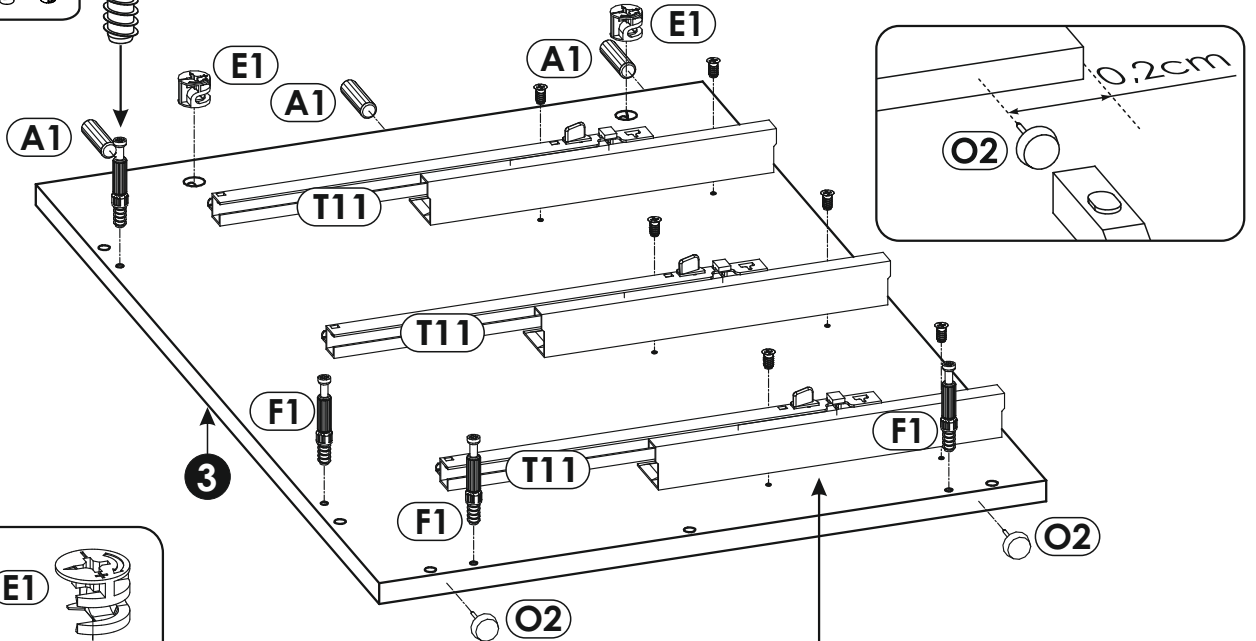
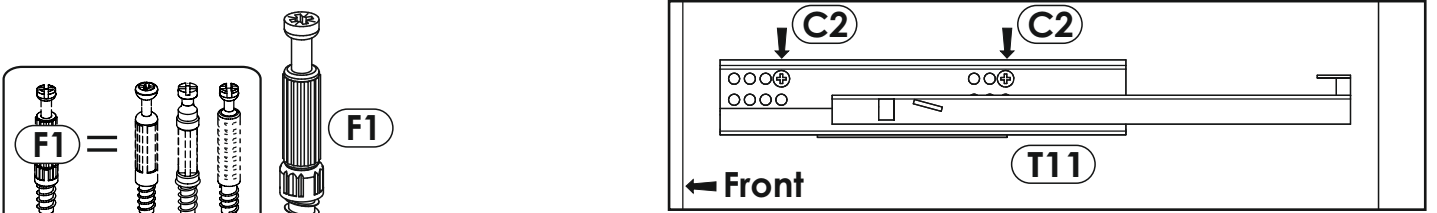
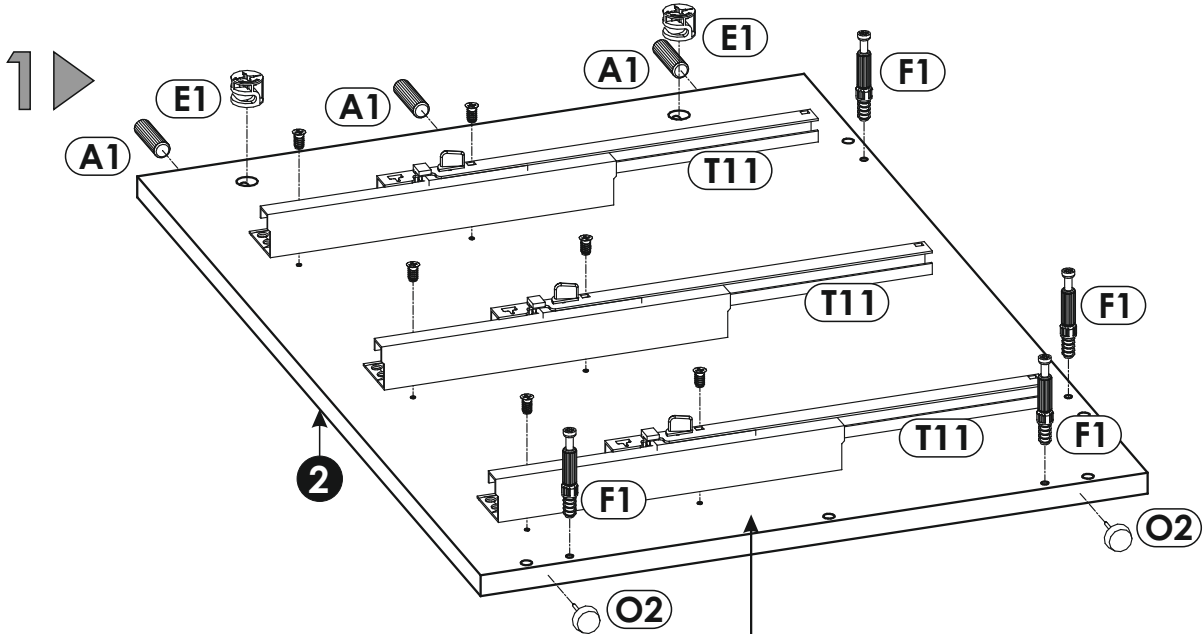
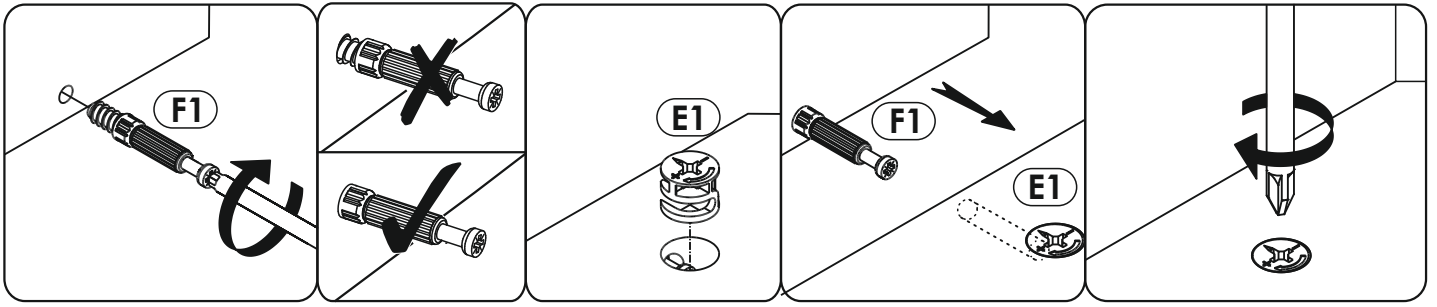


BOX TYP 01

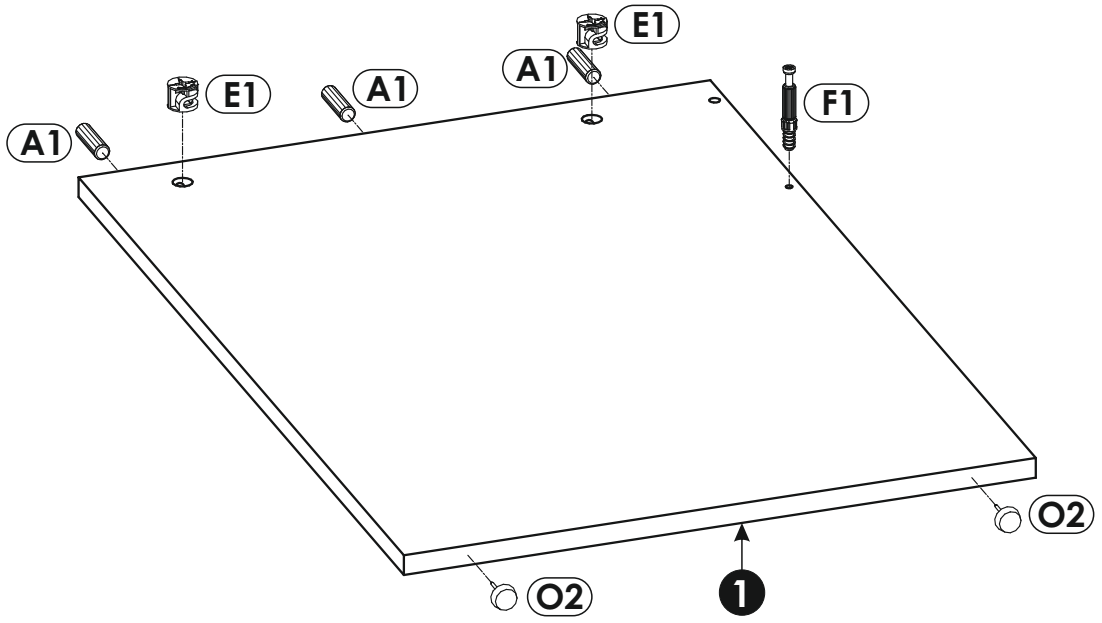


1	699	454	16	x1	1/2
2	699	454	16	x1	2/2
3	699	454	16	x1	1/2
4	1234	500	25	x1	2/2
5	716	228	16	x1	2/2
6	699	468	16	x1	2/2
7	468	418	16	x1	2/2
8	400	120	16	x3	1/2
9	400	120	16	x3	1/2
10	426	104	16	x3	1/2
11	438	405	3	x3	2/2
12	462	229	16	x3	1/2

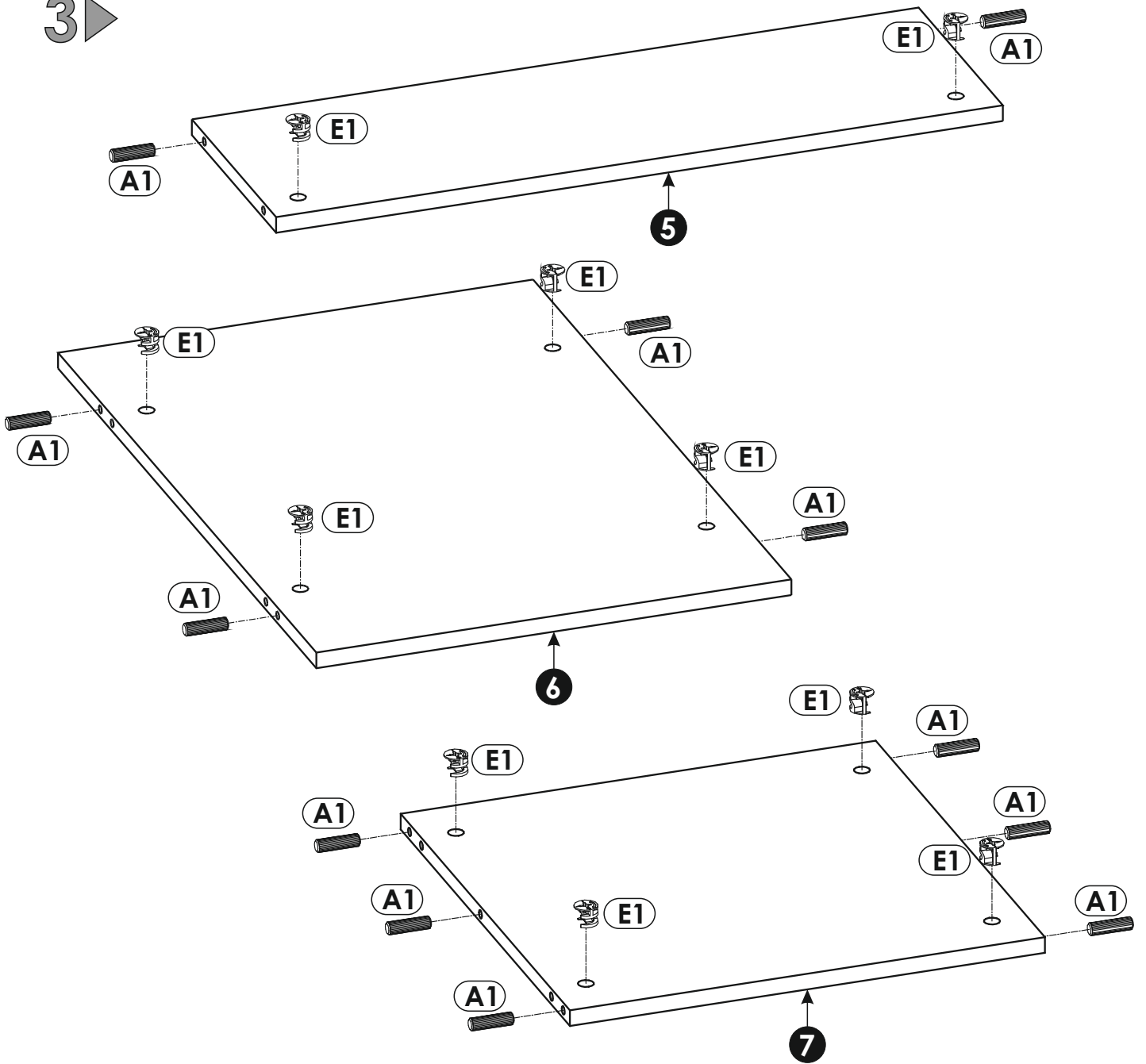


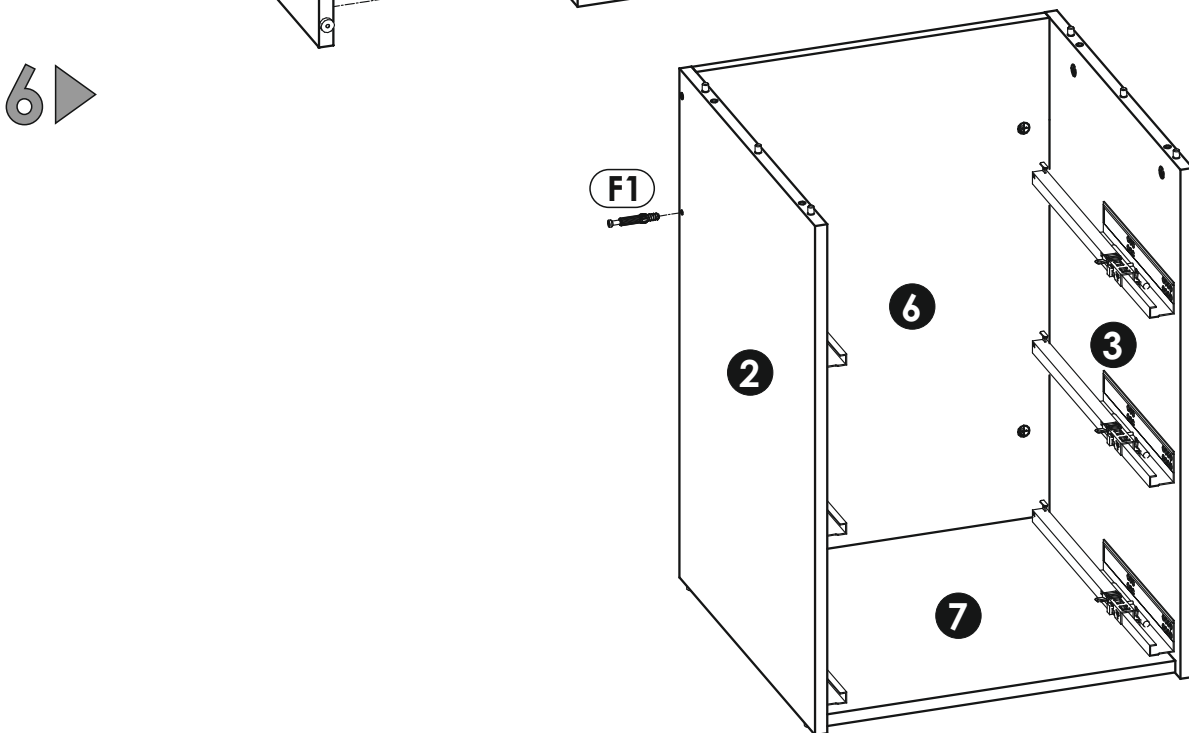
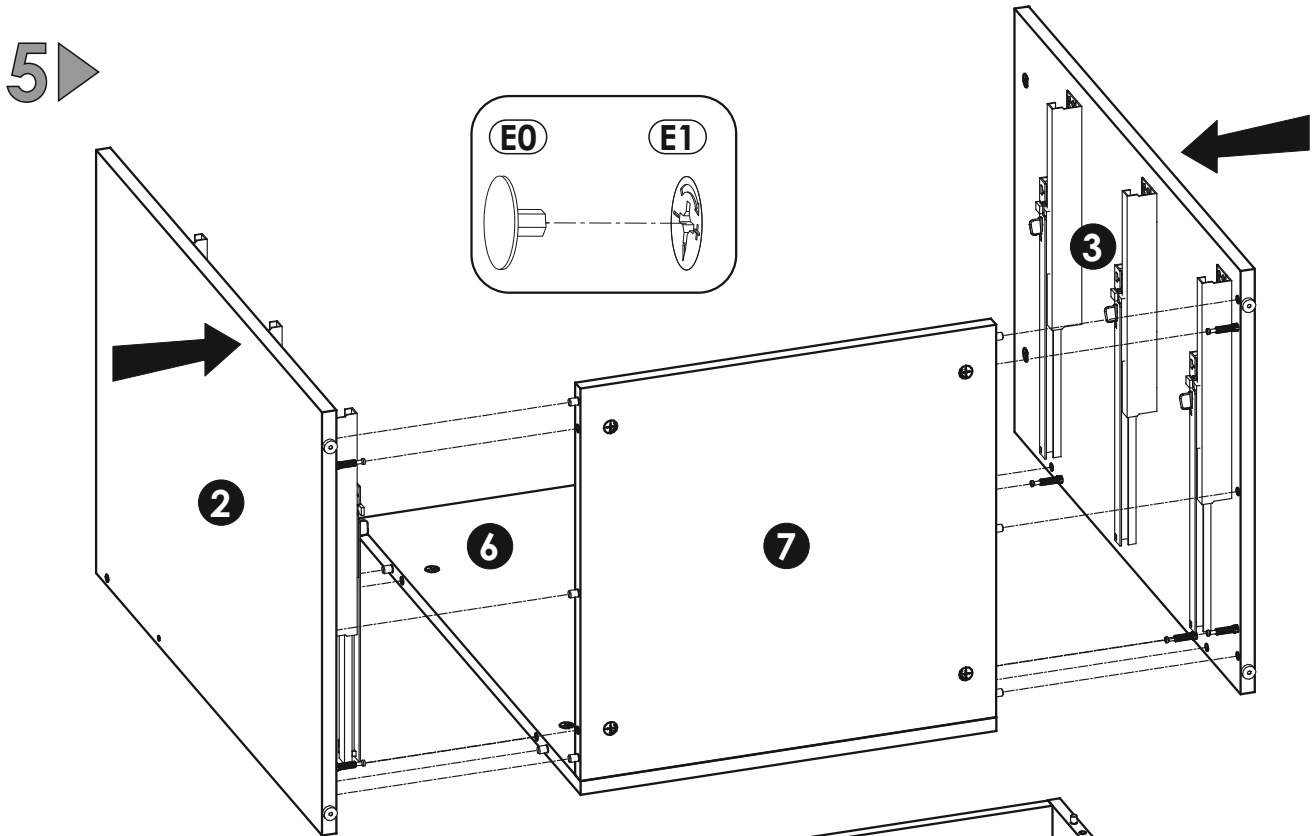
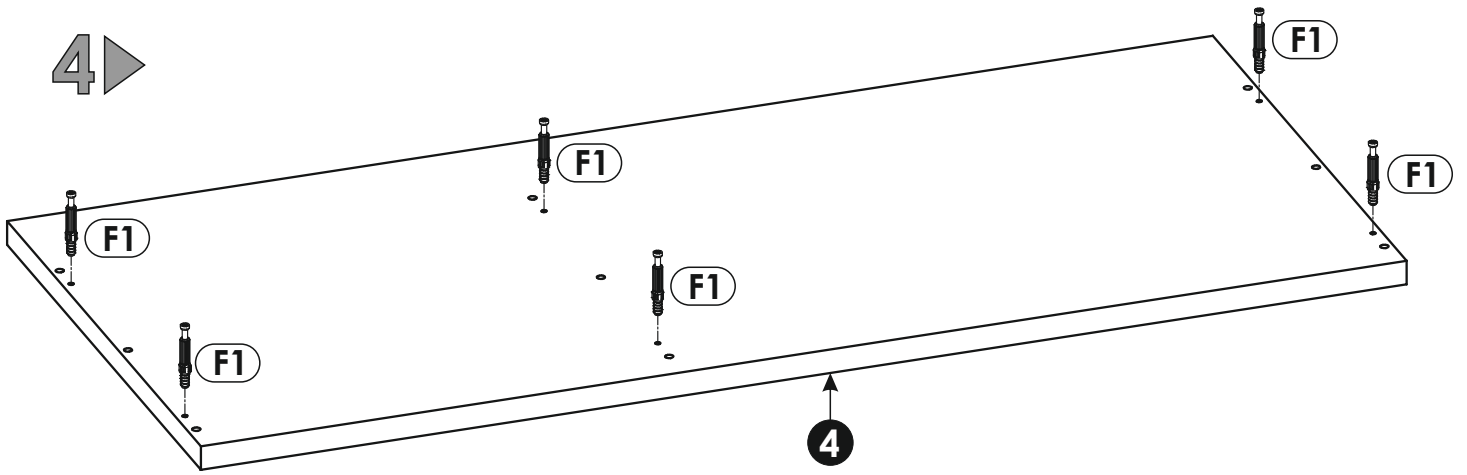


2▶

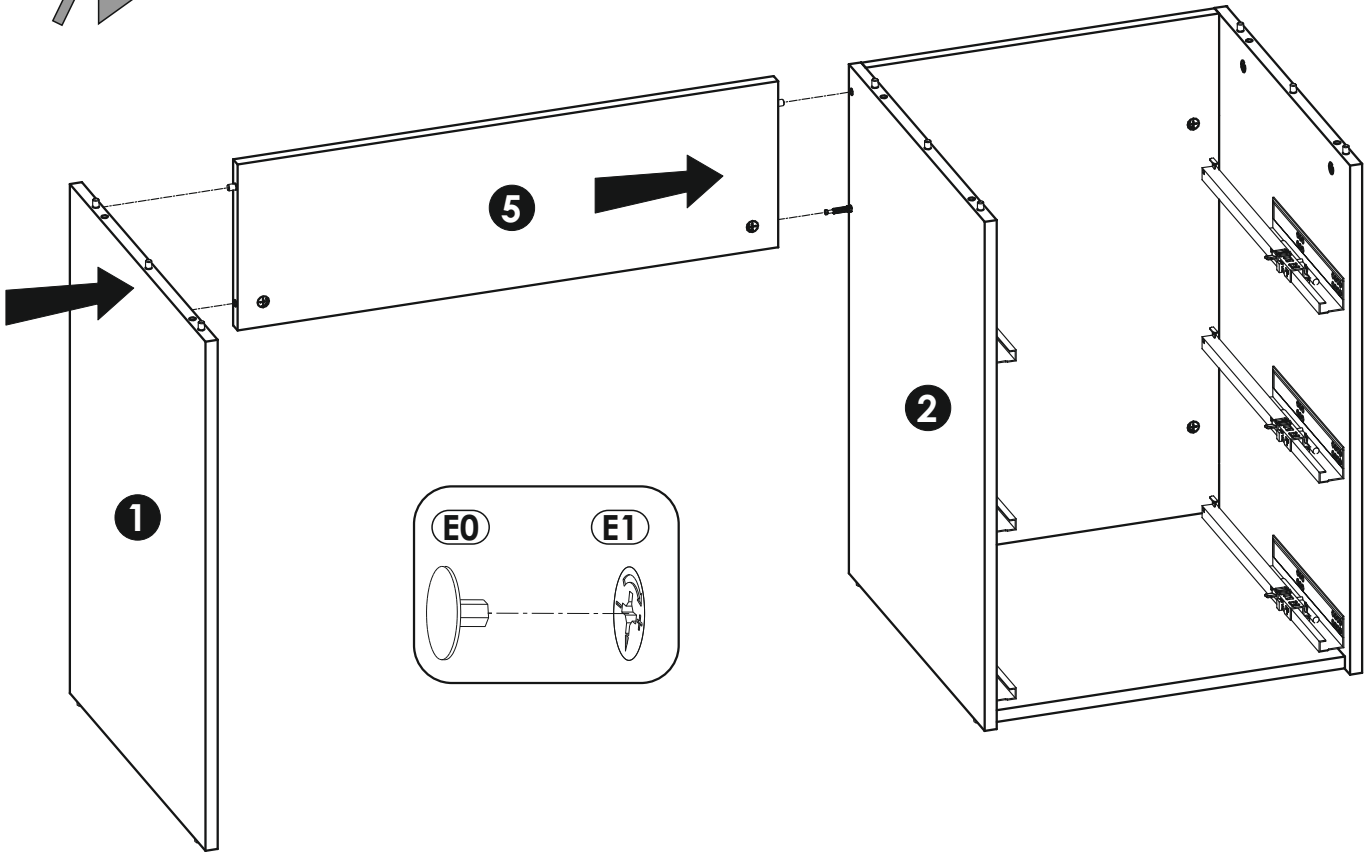


3▶

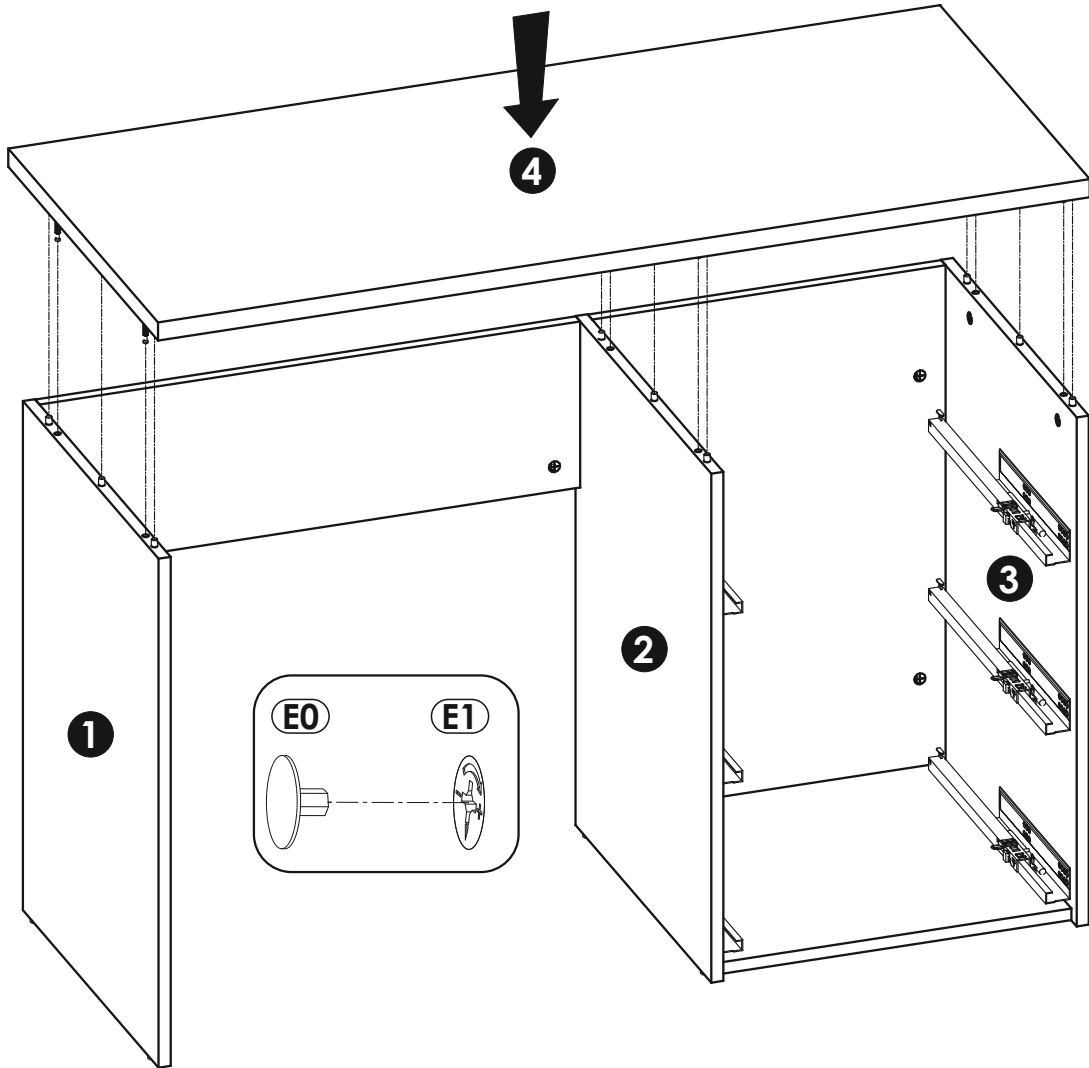




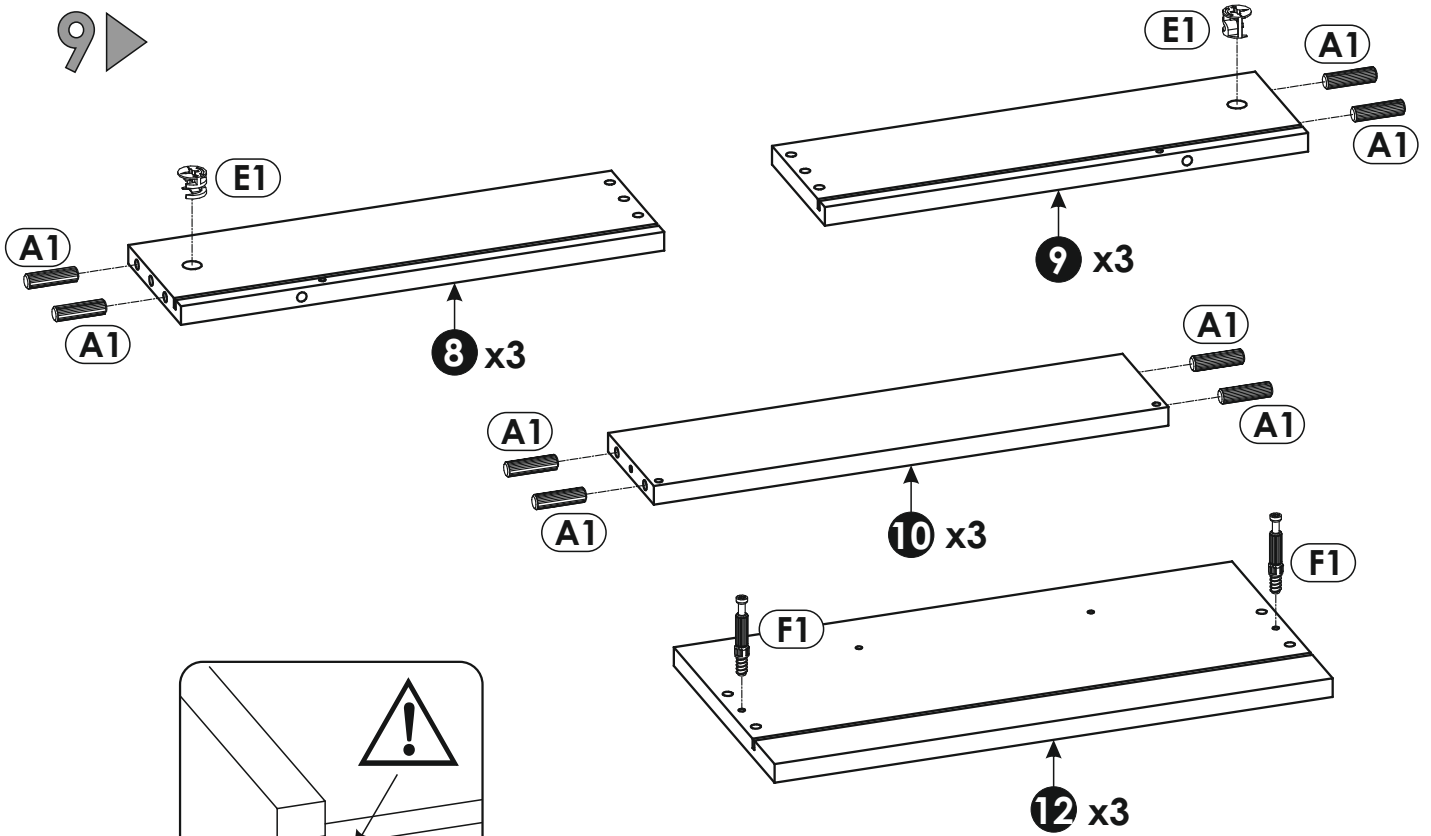
7 ▶



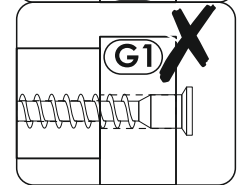
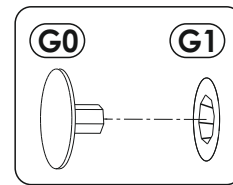
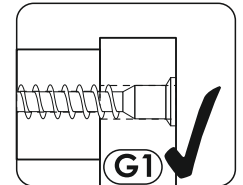
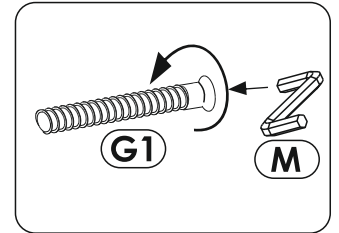
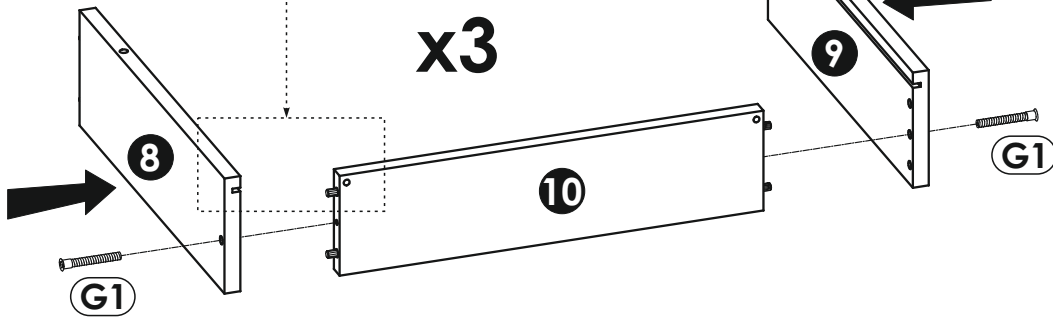
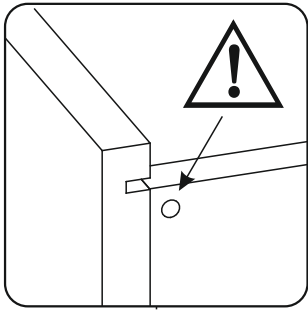
8 ▶



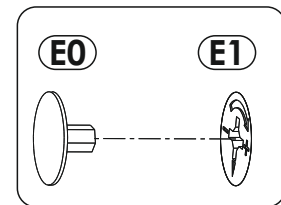
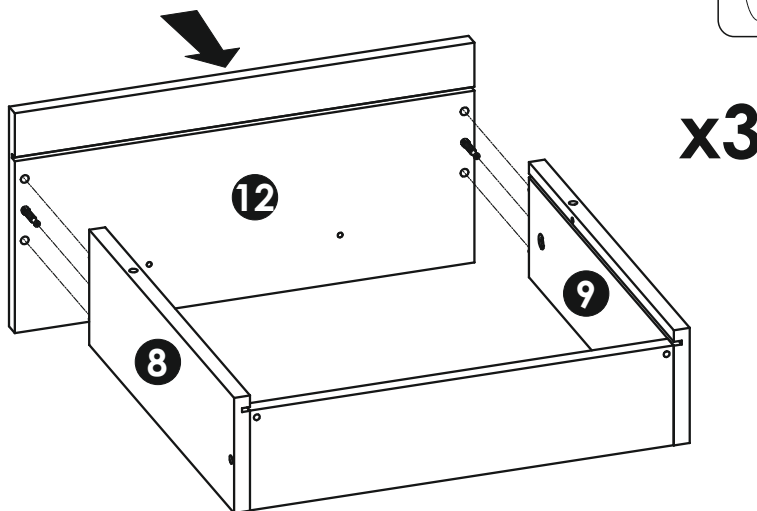
9 ▶



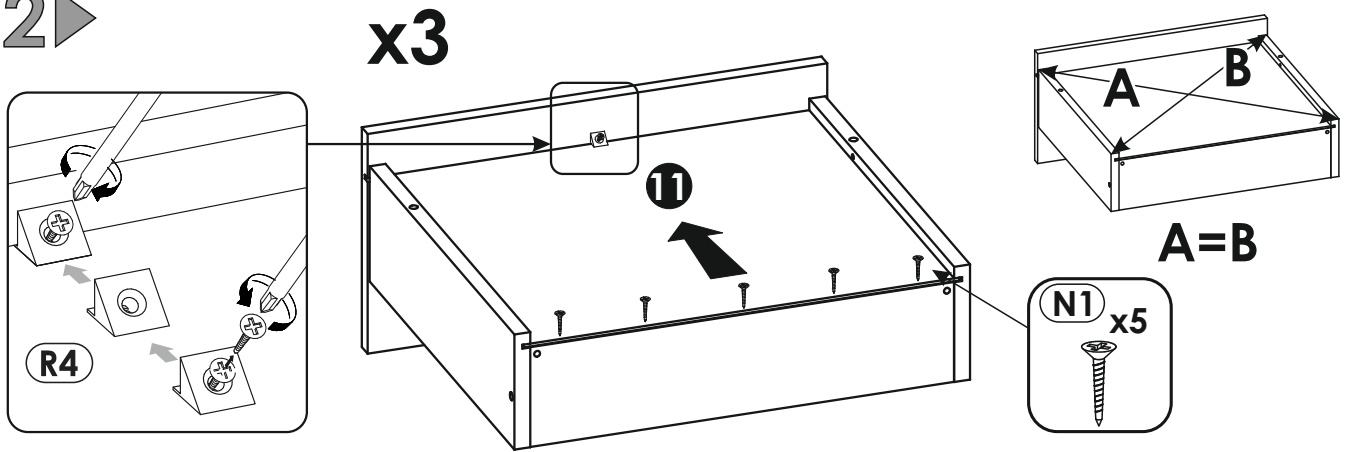
10 ▶



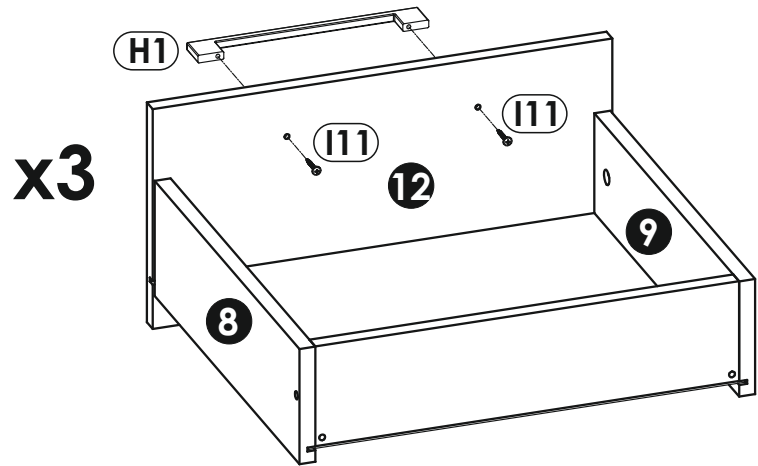
11 ▶



12▶



13▶



14▶

