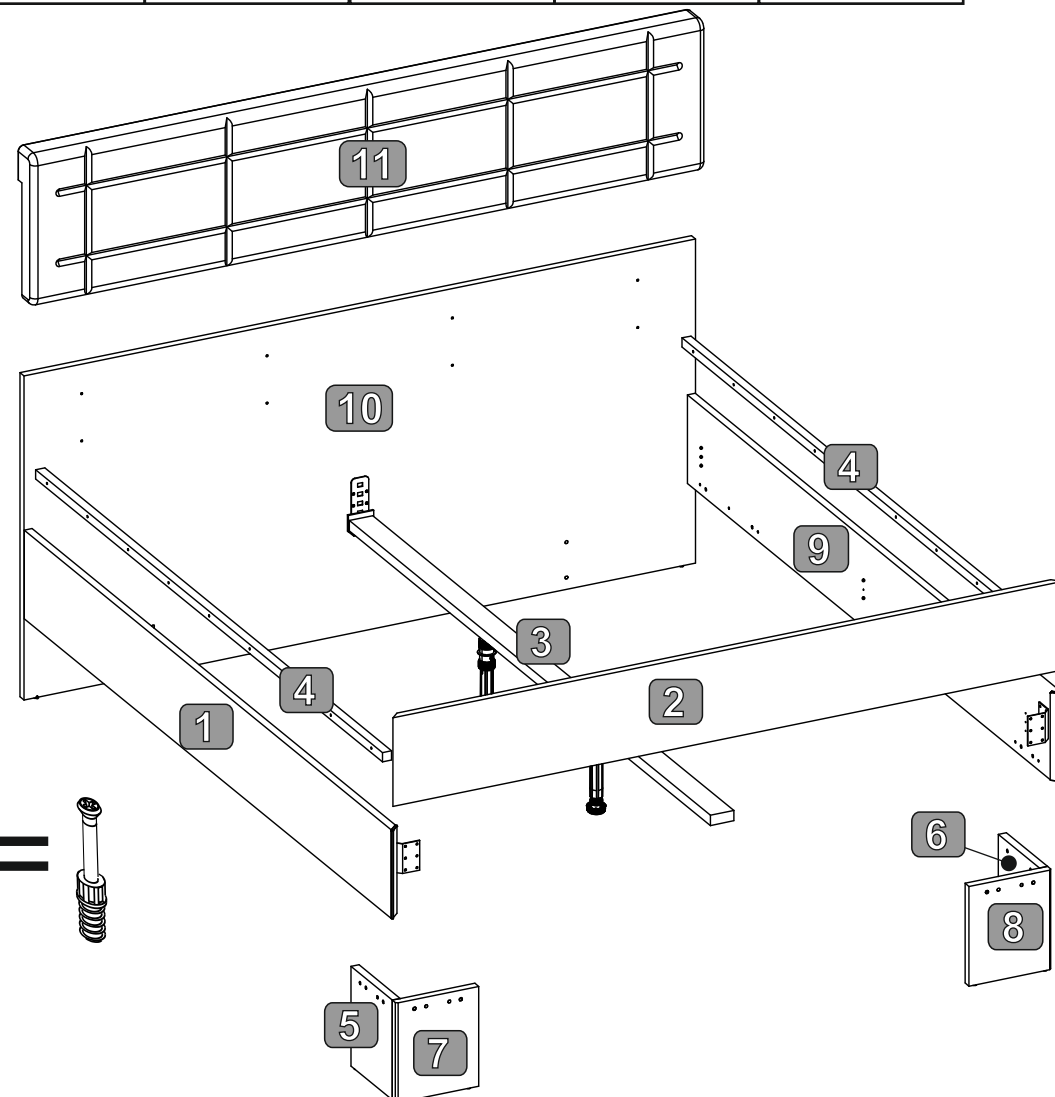
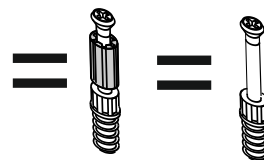
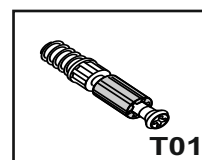
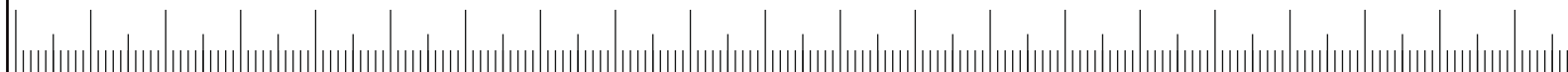


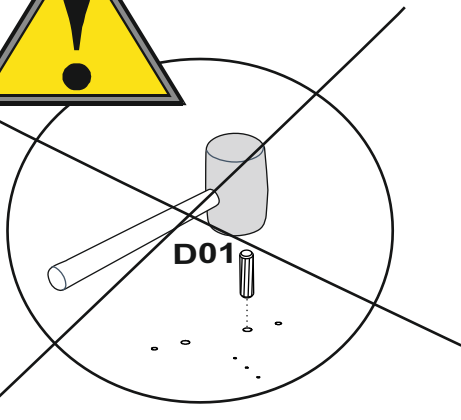
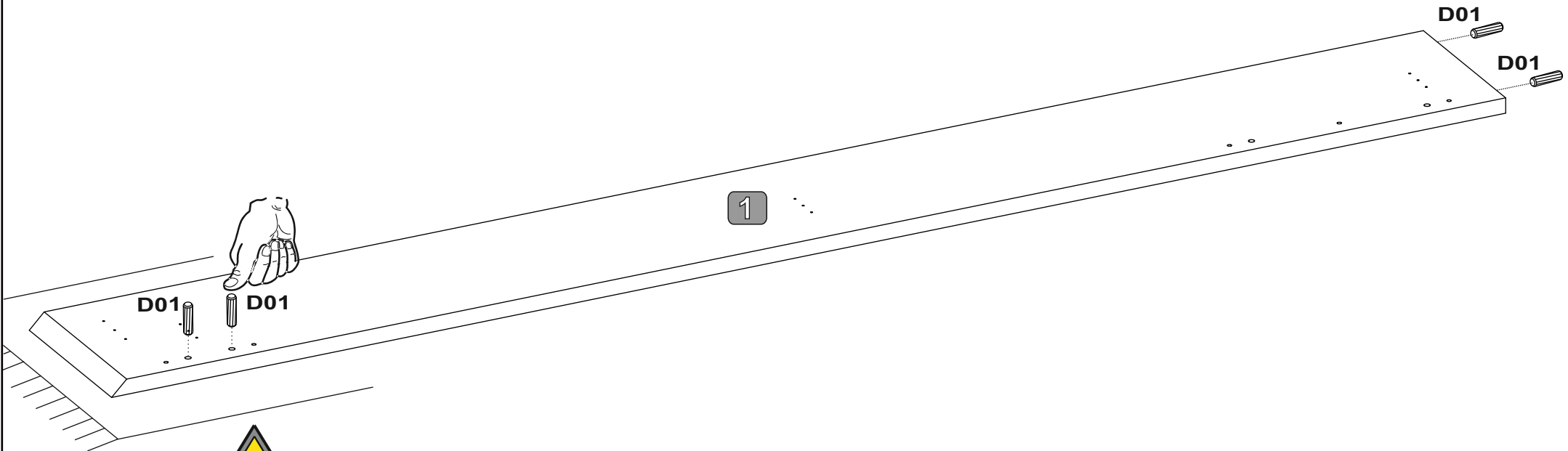
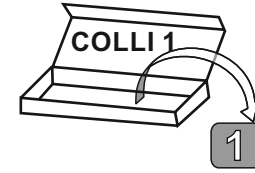
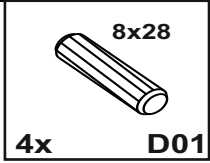
NR	DIM	QTE	COLLI
1	2032x240x22	1	1/3
2	1850x240x22	1	1/3
3	1955x65x28	1	1/3
4	1916x25x25	2	1/3
5	228x270x22	1	1/3
6	228x270x22	1	1/3
7	228x270x22	1	1/3
8	228x270x22	1	1/3
9	2032x240x22	1	1/3
10	1855x878x22	1	2/3
11	1860x410x81	1	3/3



0 10 20 30 40 50 60 70 80 90 100 110 120 130 140 150 160 170 180 190 200

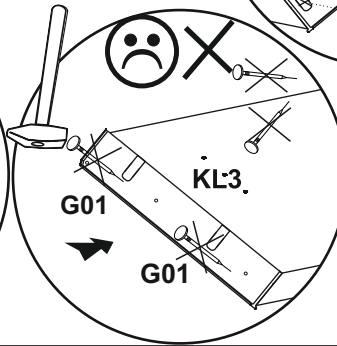
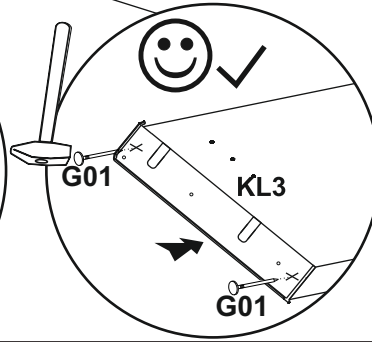
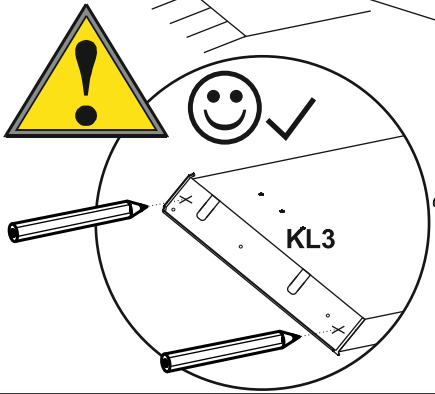
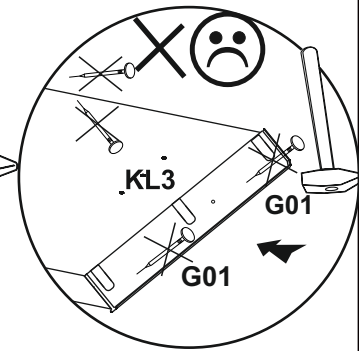
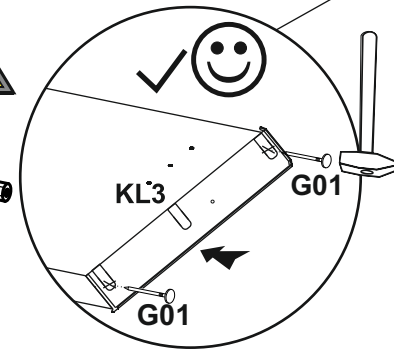
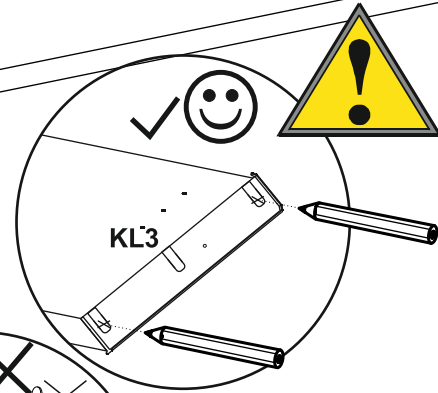
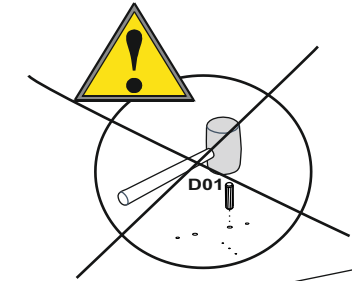
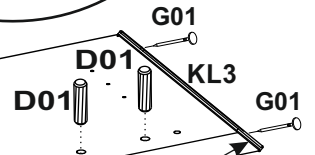
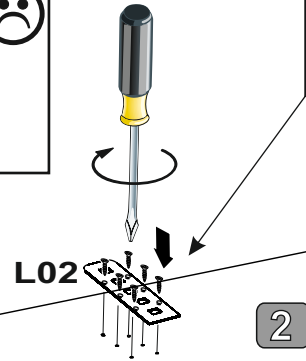
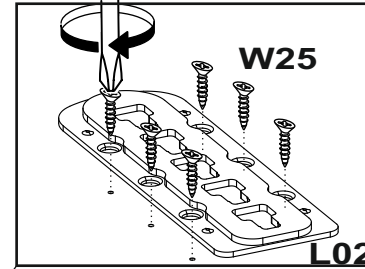
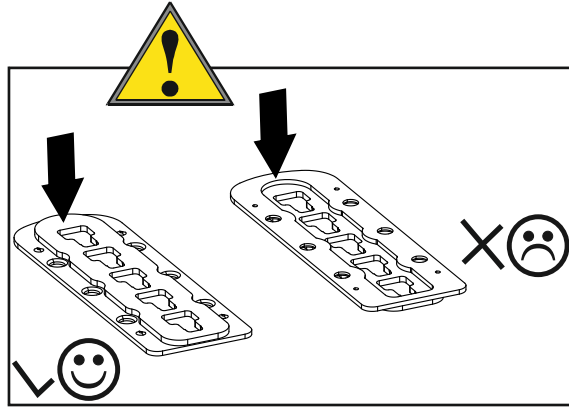
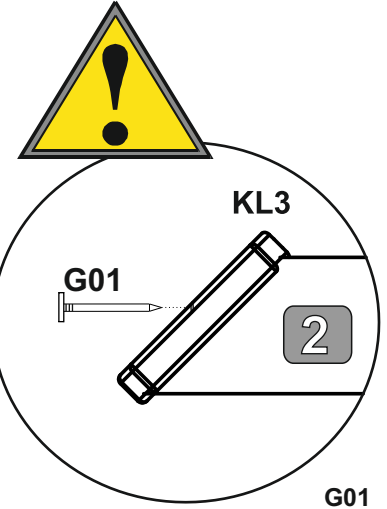
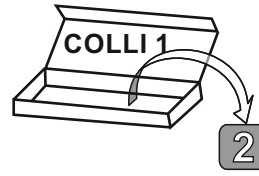


1





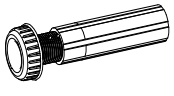
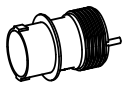
2

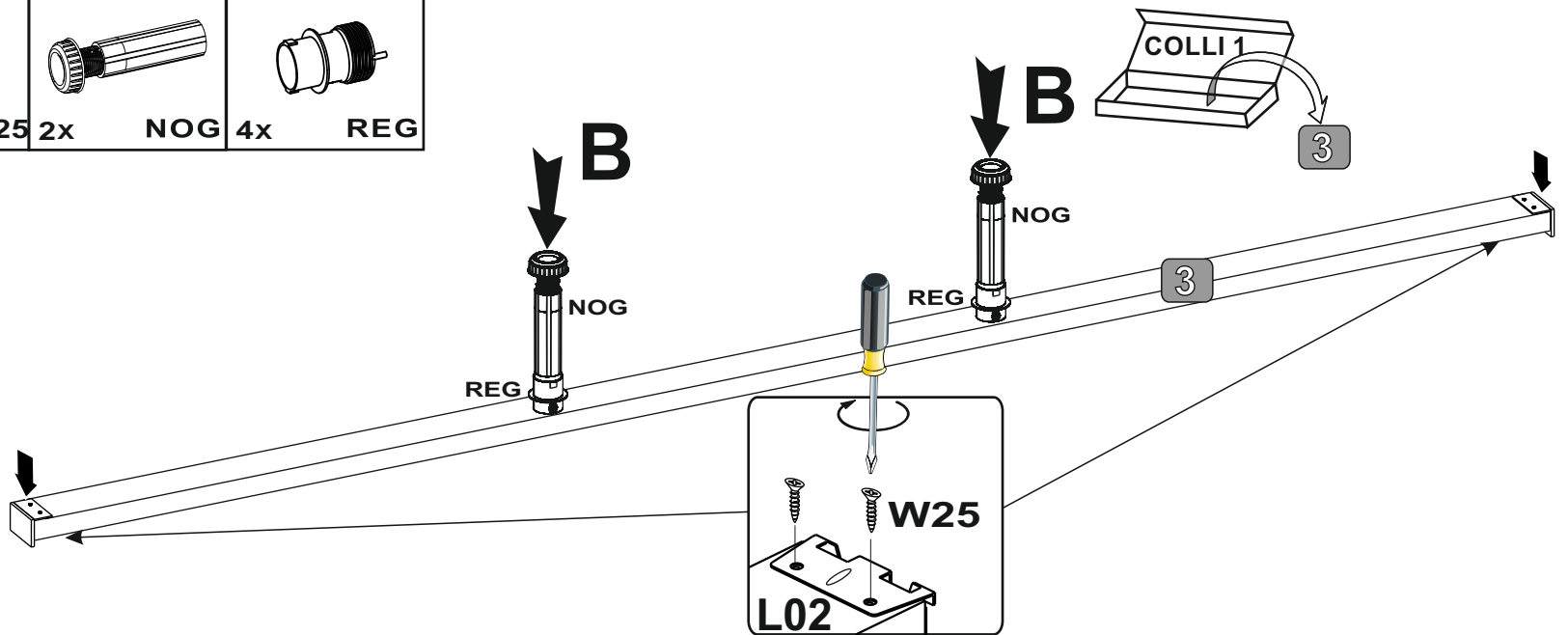
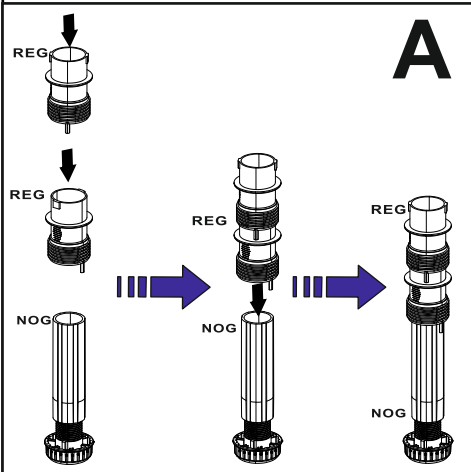
4x	8x28 D01	2x	KL3	4x	G01	1x	L02	6x	4x16 W25
----	-------------	----	-----	----	-----	----	-----	----	-------------



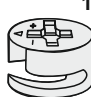
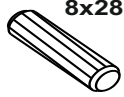



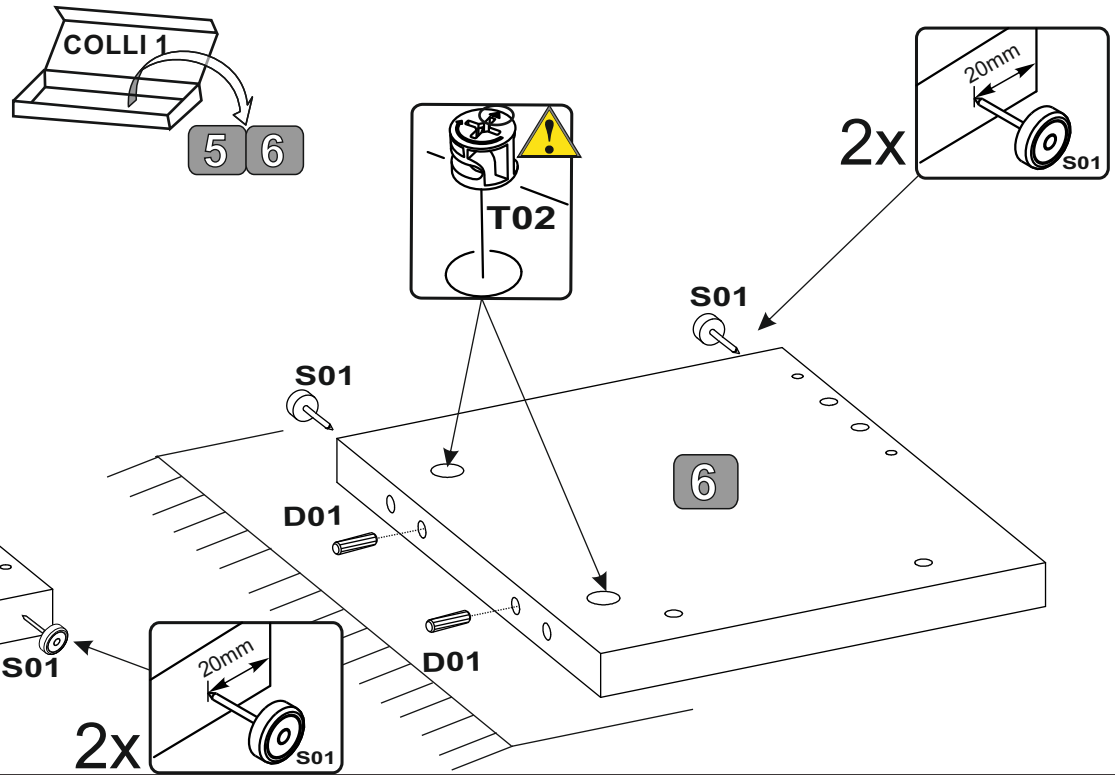
3

 2x L02	 4x W25	 2x NOG	 4x REG
---	---	---	---

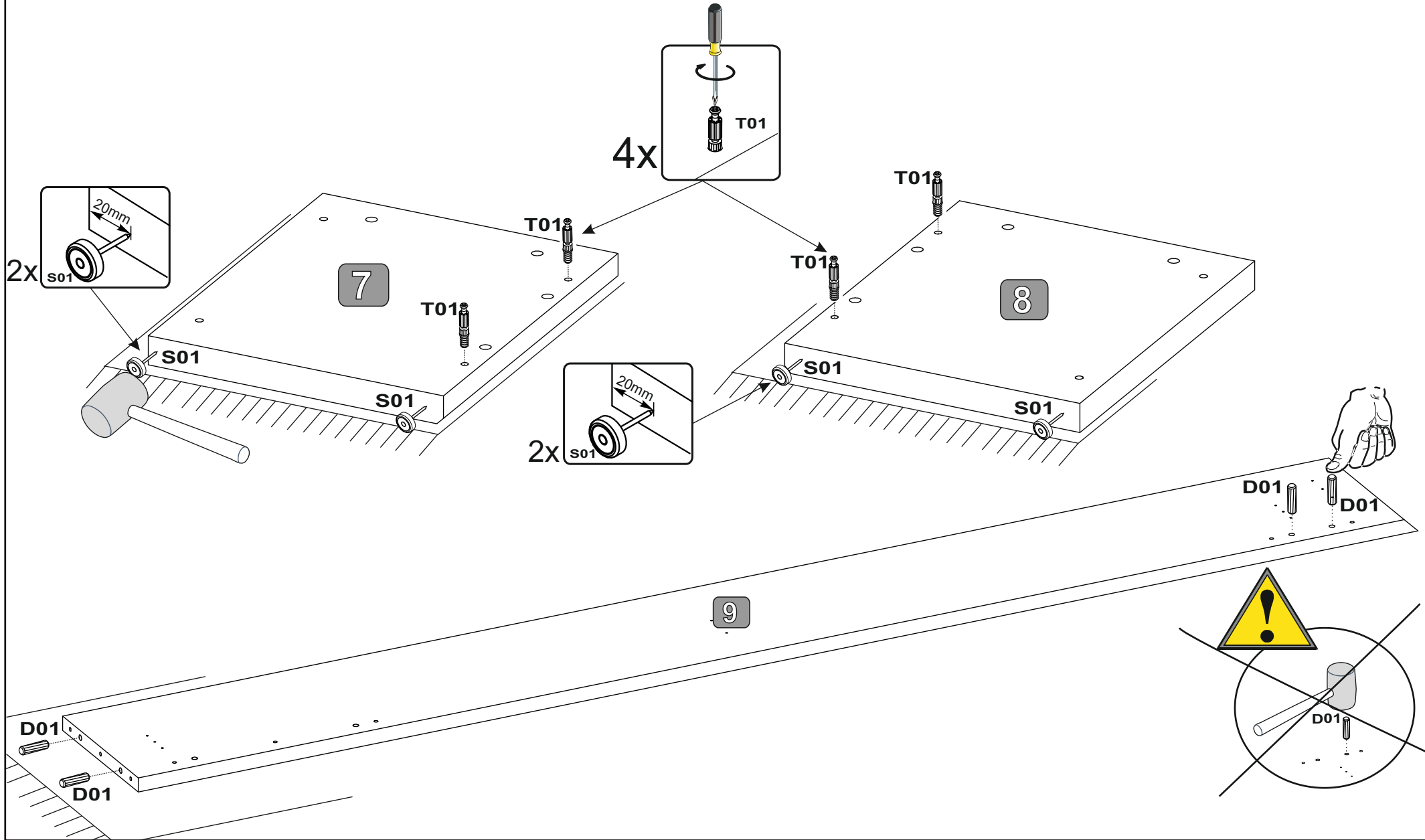
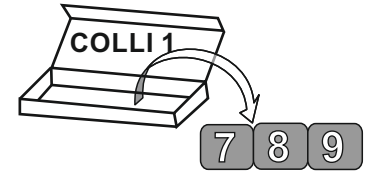
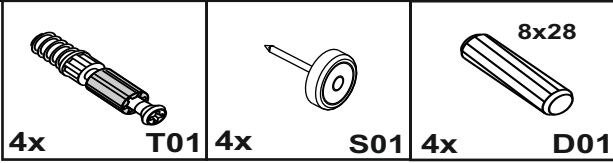


4


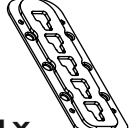

 4x T02	 4x D01
 4x S01	

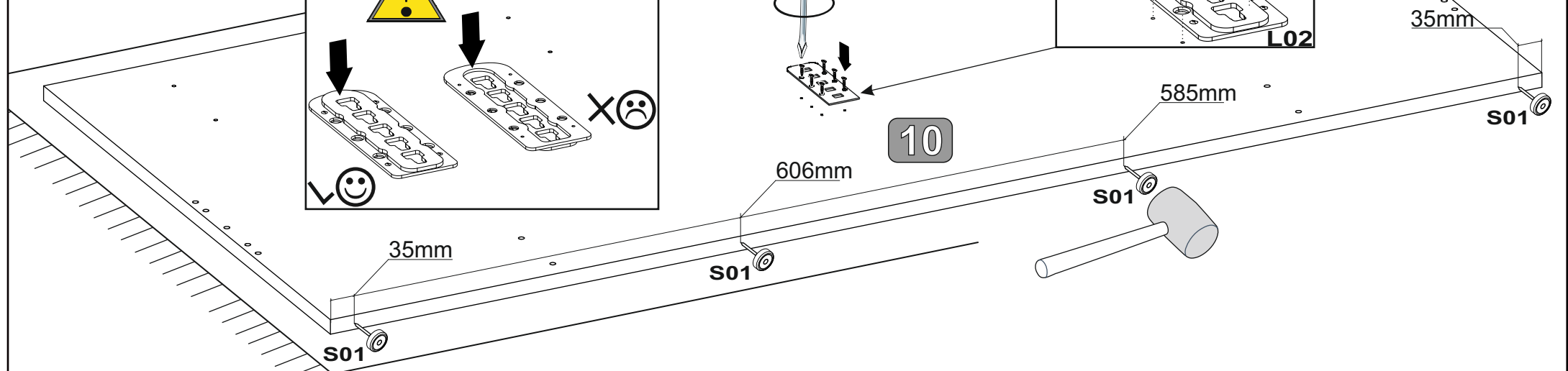
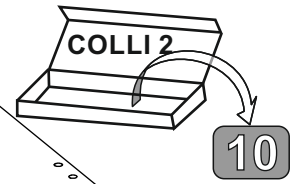
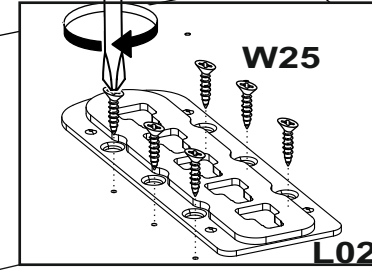
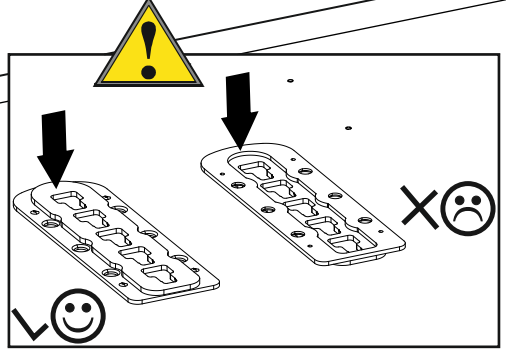


5





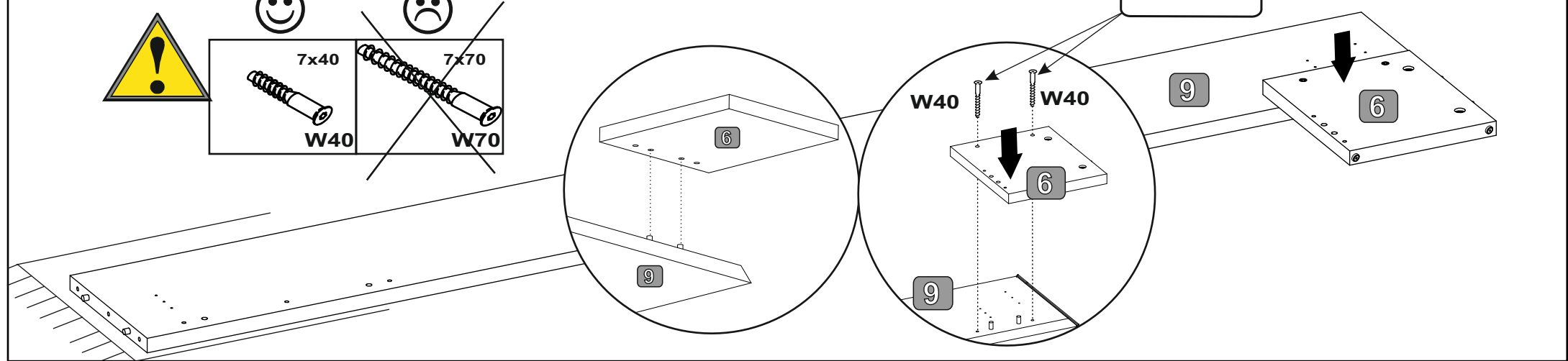
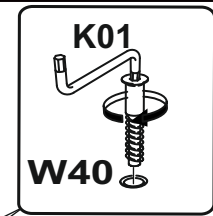
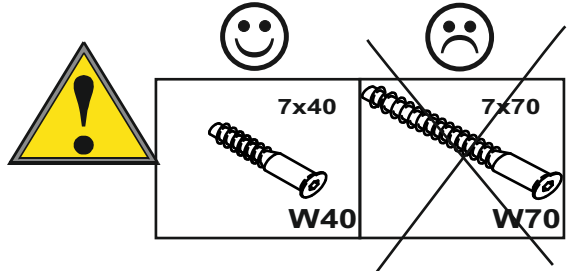
6

- |   |   |   |
|---|---|---|
| 4x16<br> |  |  |
| 6x W25  | 1x L02  | 4x S01  |

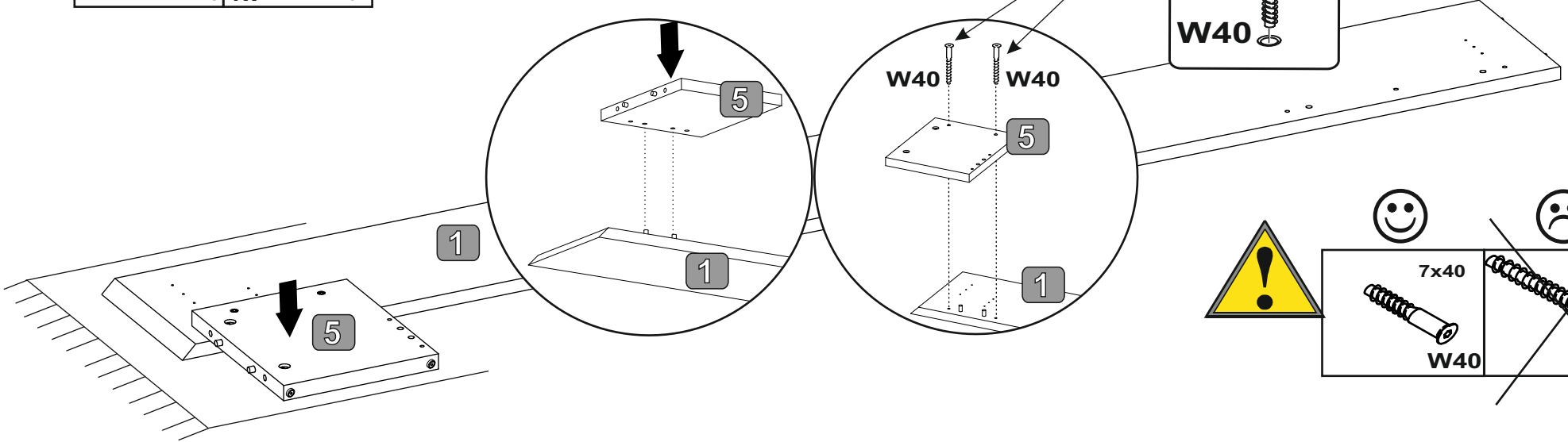
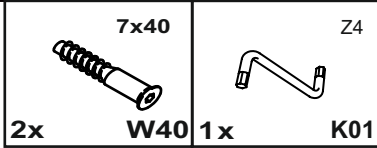


7

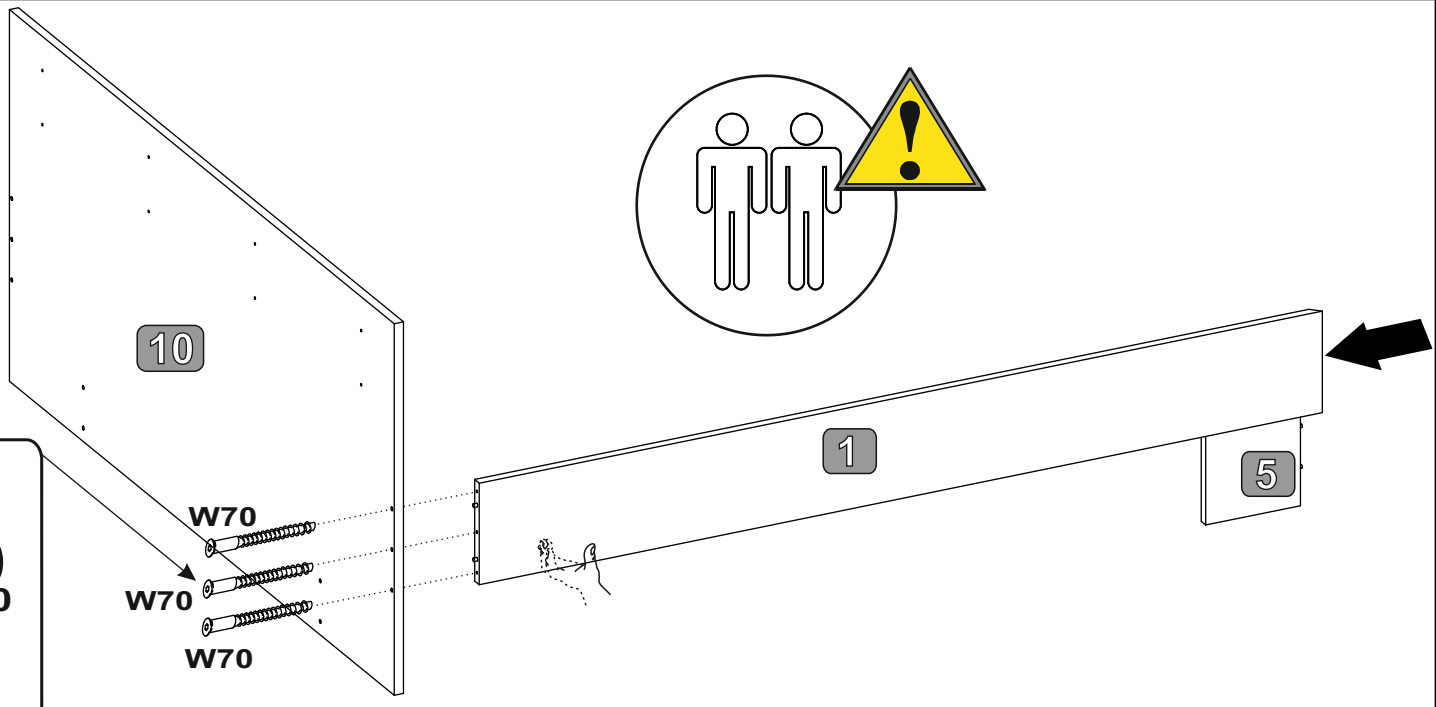
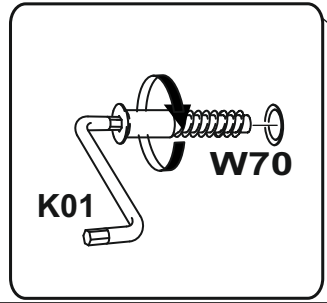
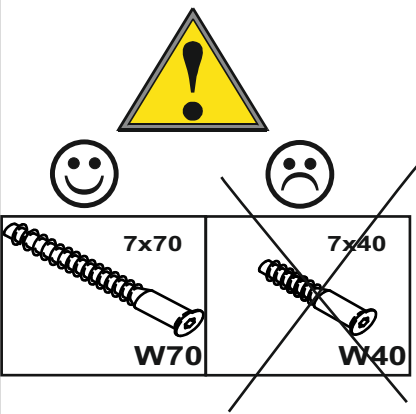
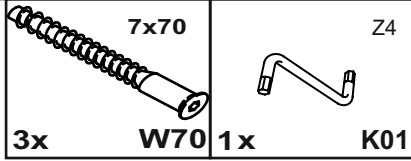
- |   |   |
|---|---|
| 7x40<br> | Z4<br> |
| 2x W40  | 1x K01  |



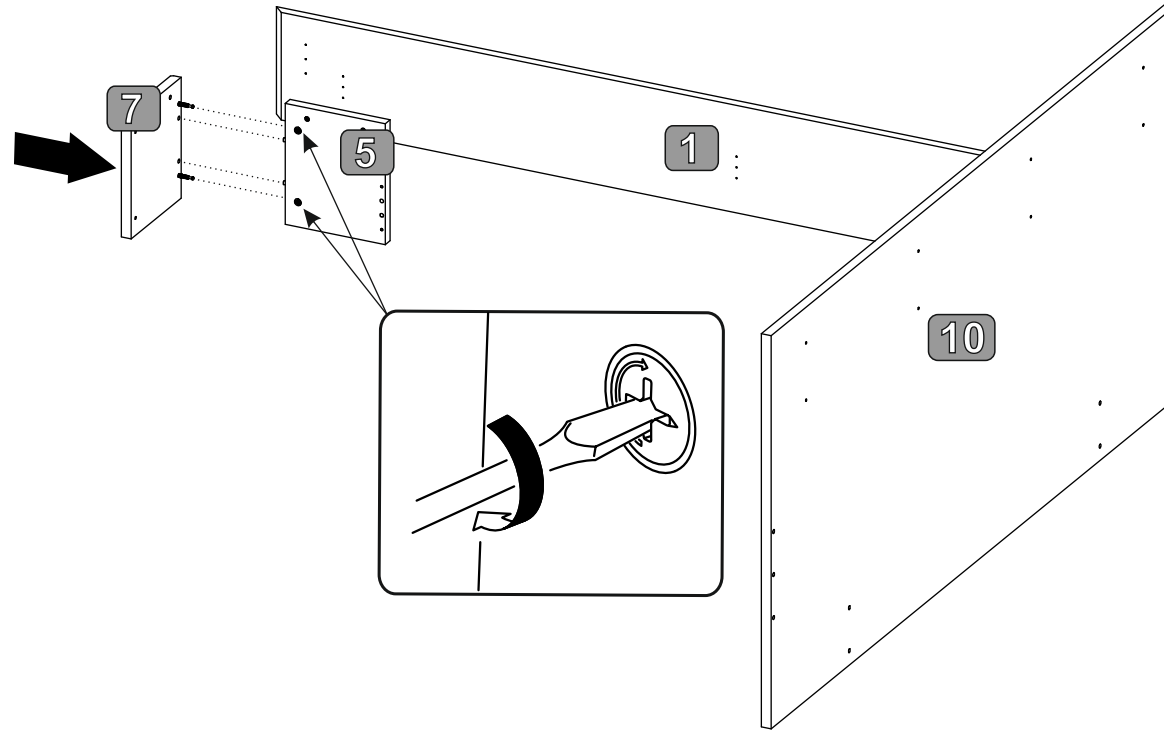
8



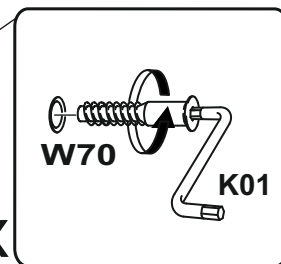
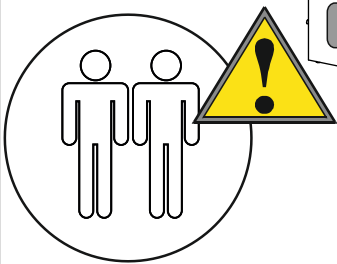
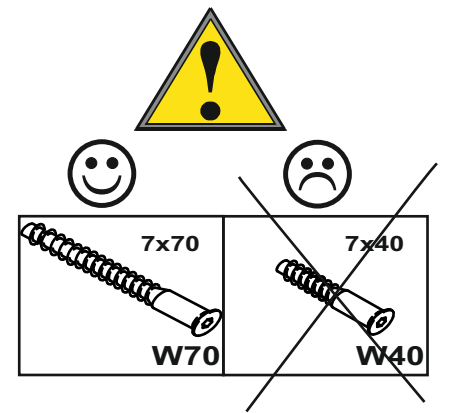
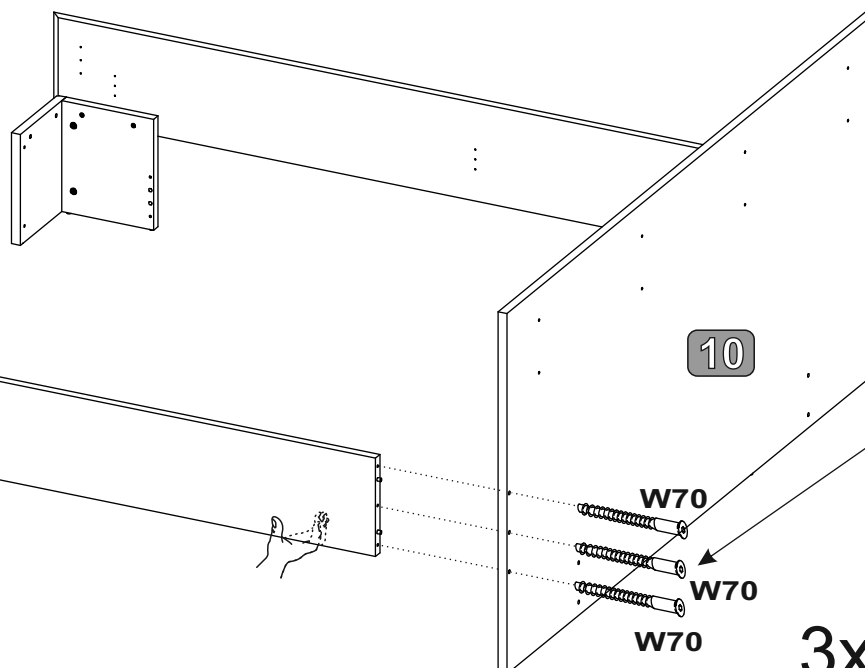
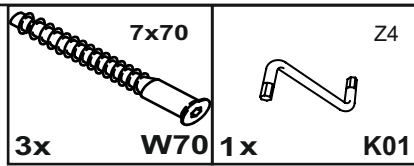
9



10

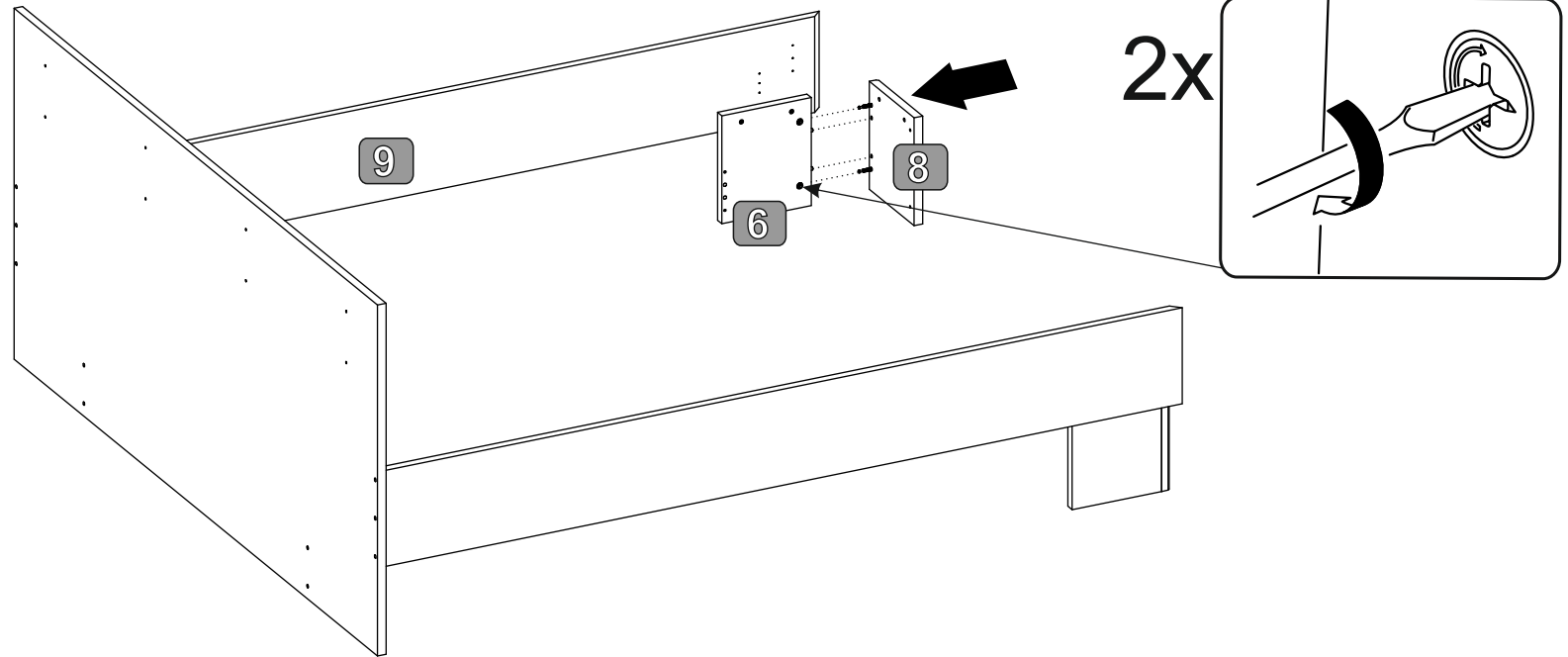


11

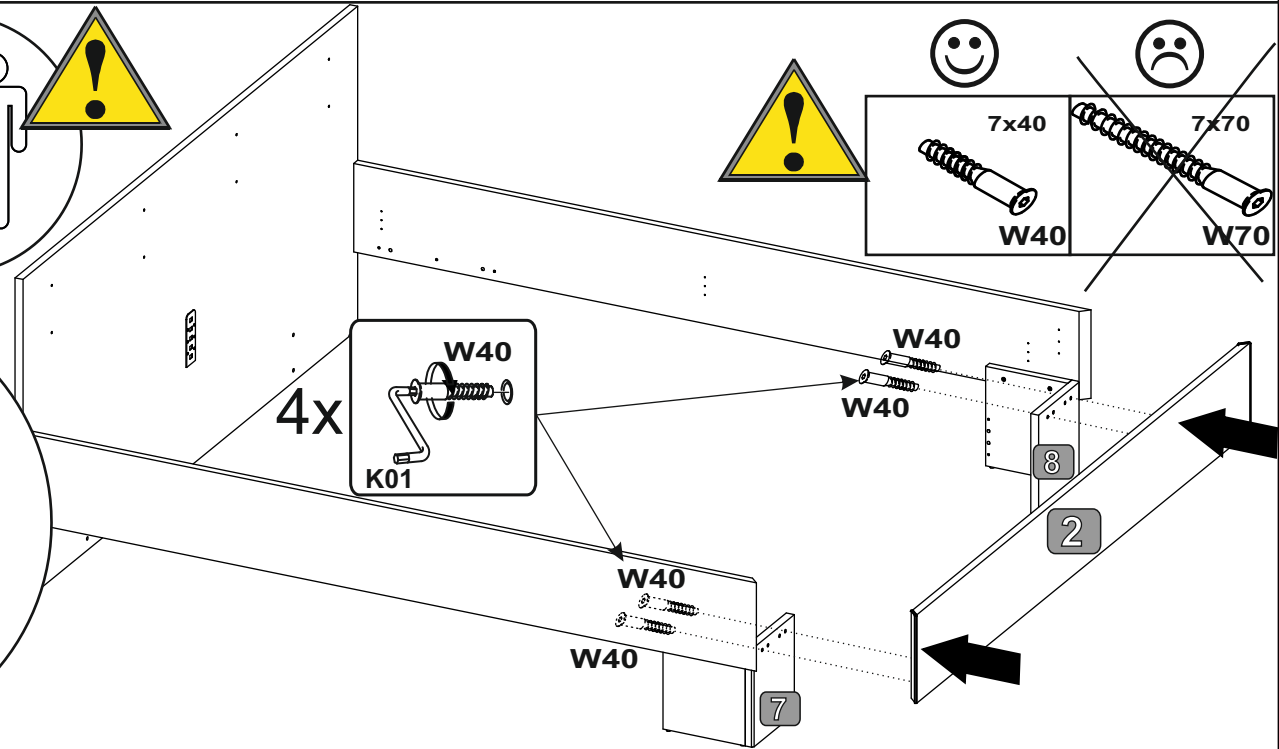
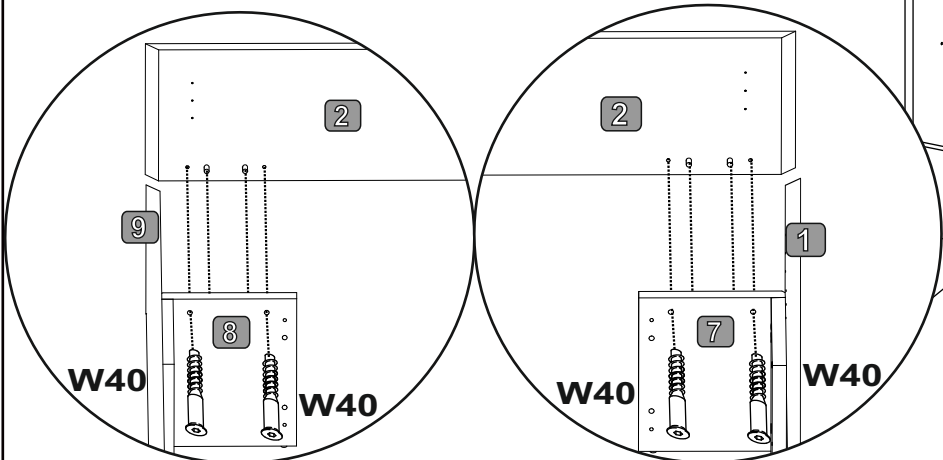
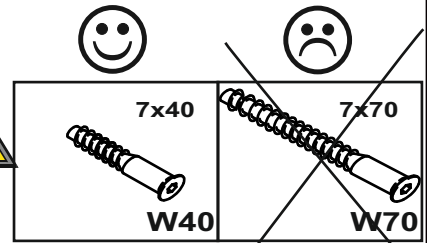
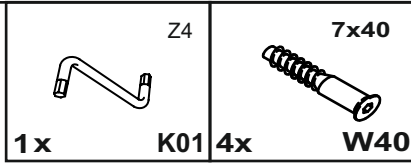


3x

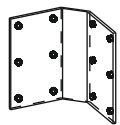
12



13



14



3,5x16

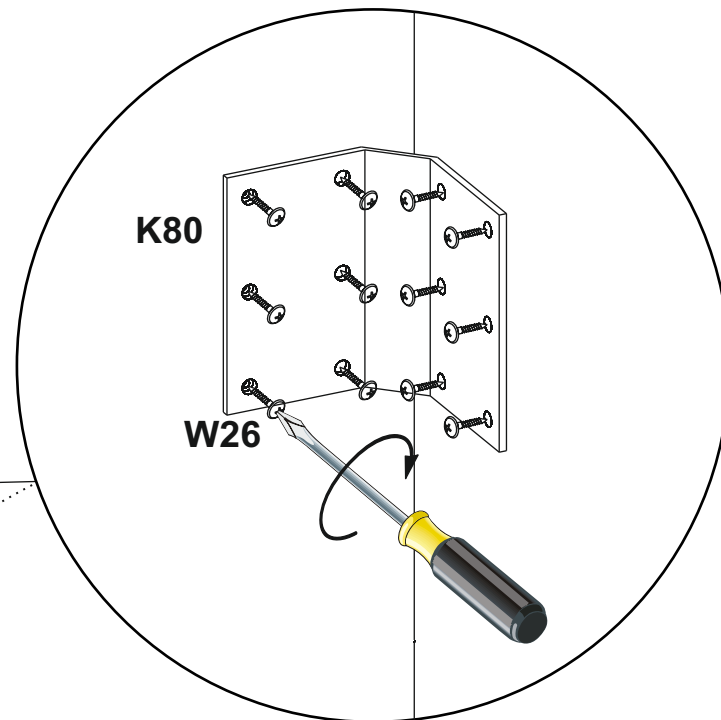
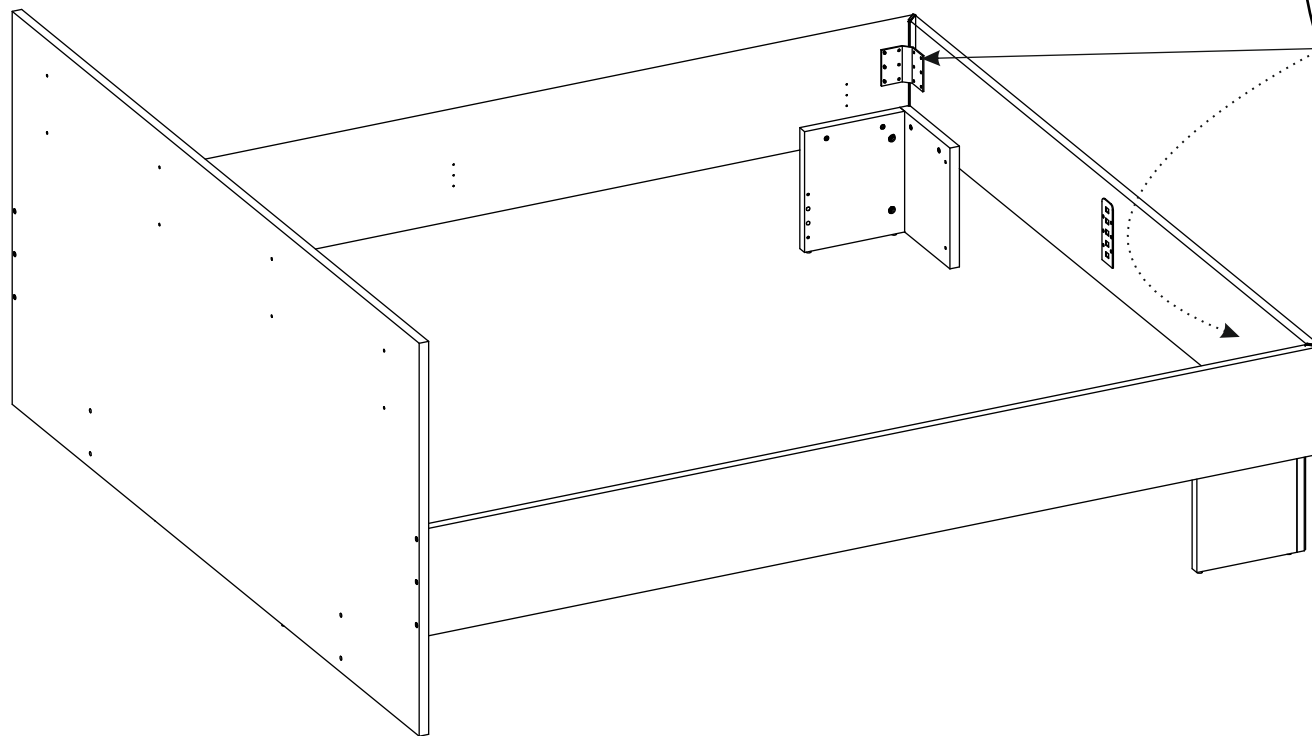


2x

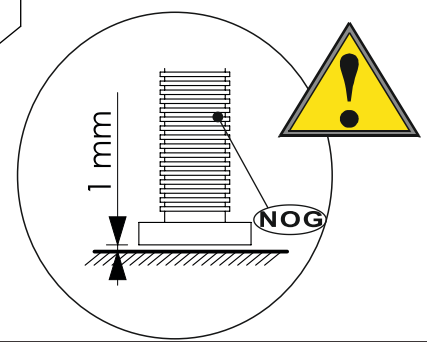
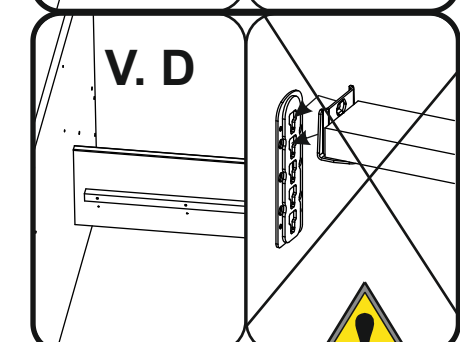
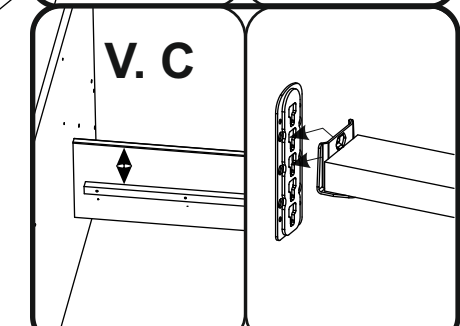
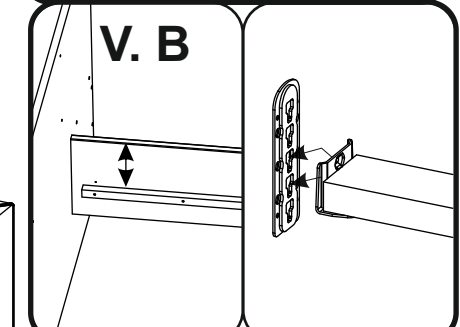
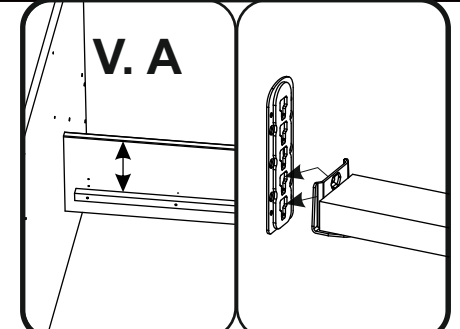
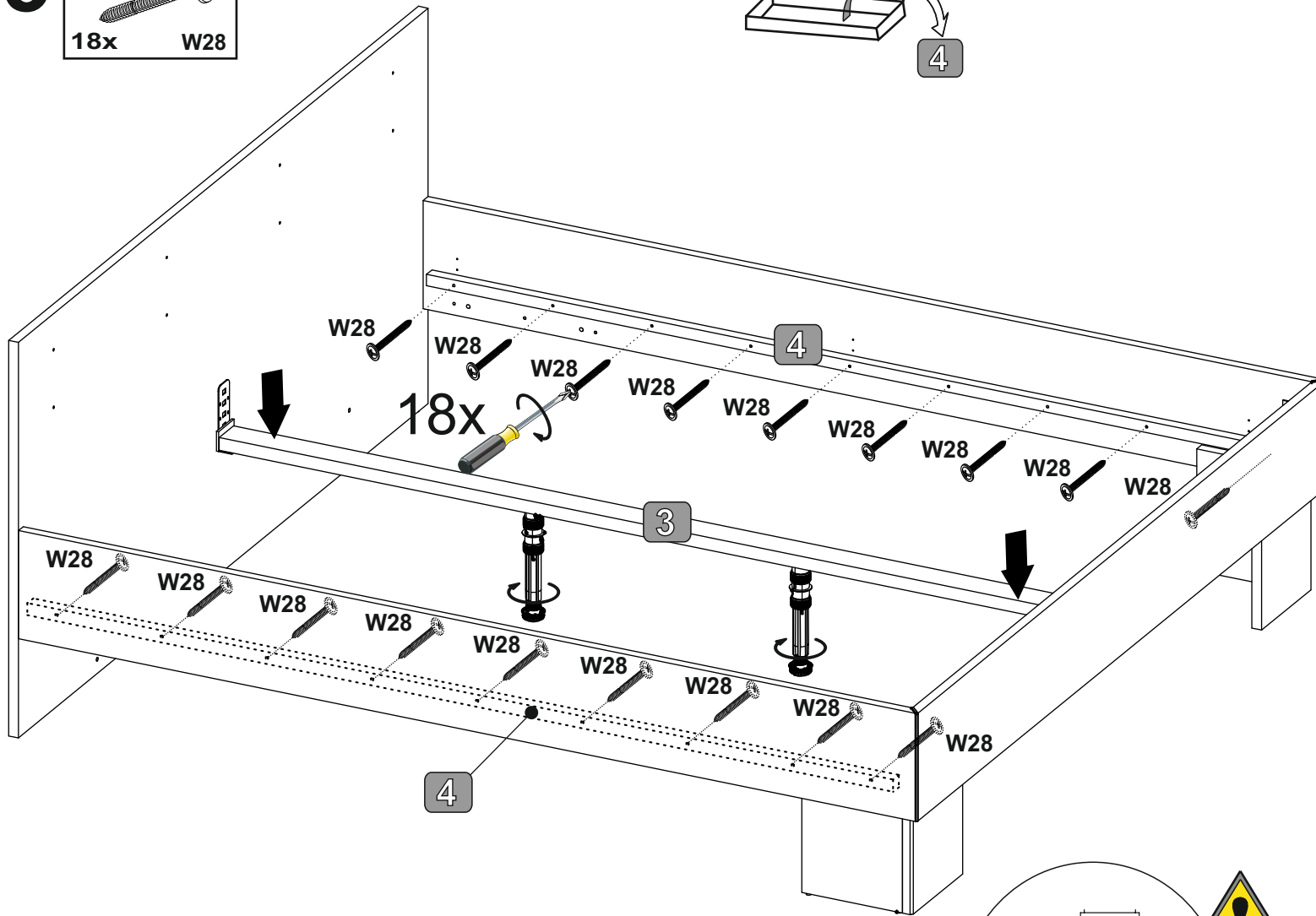
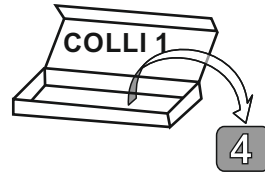
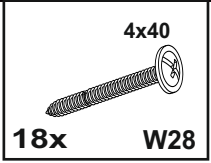
K80

24x

W26

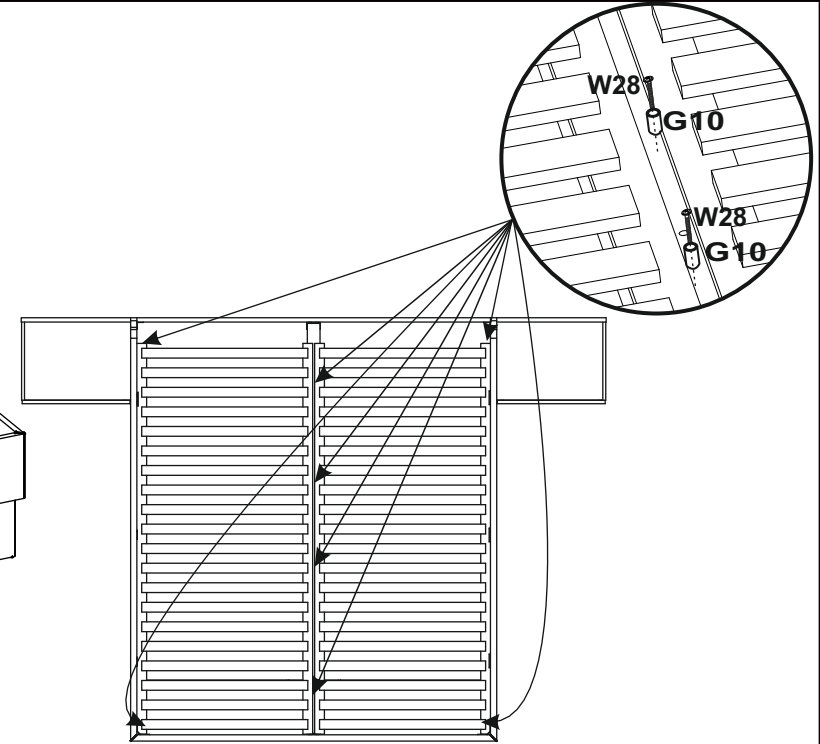
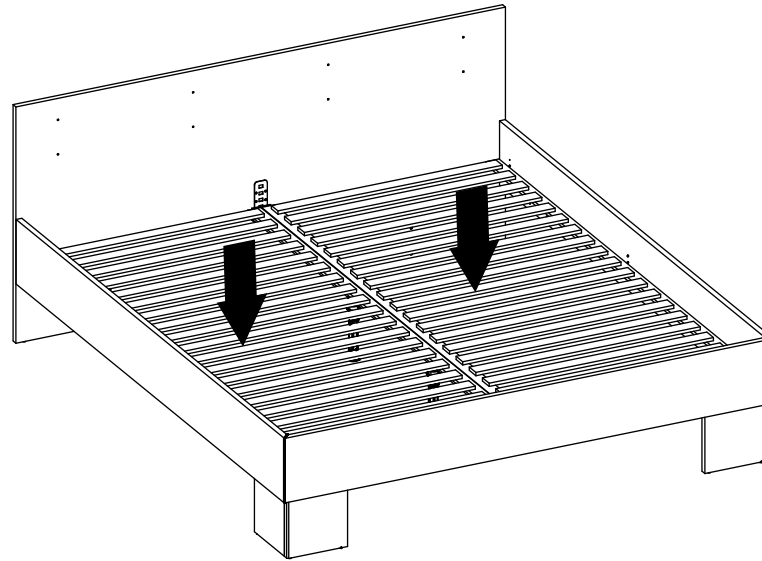
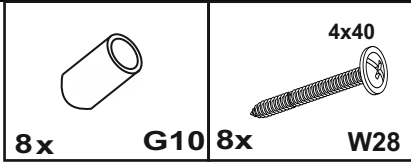


15

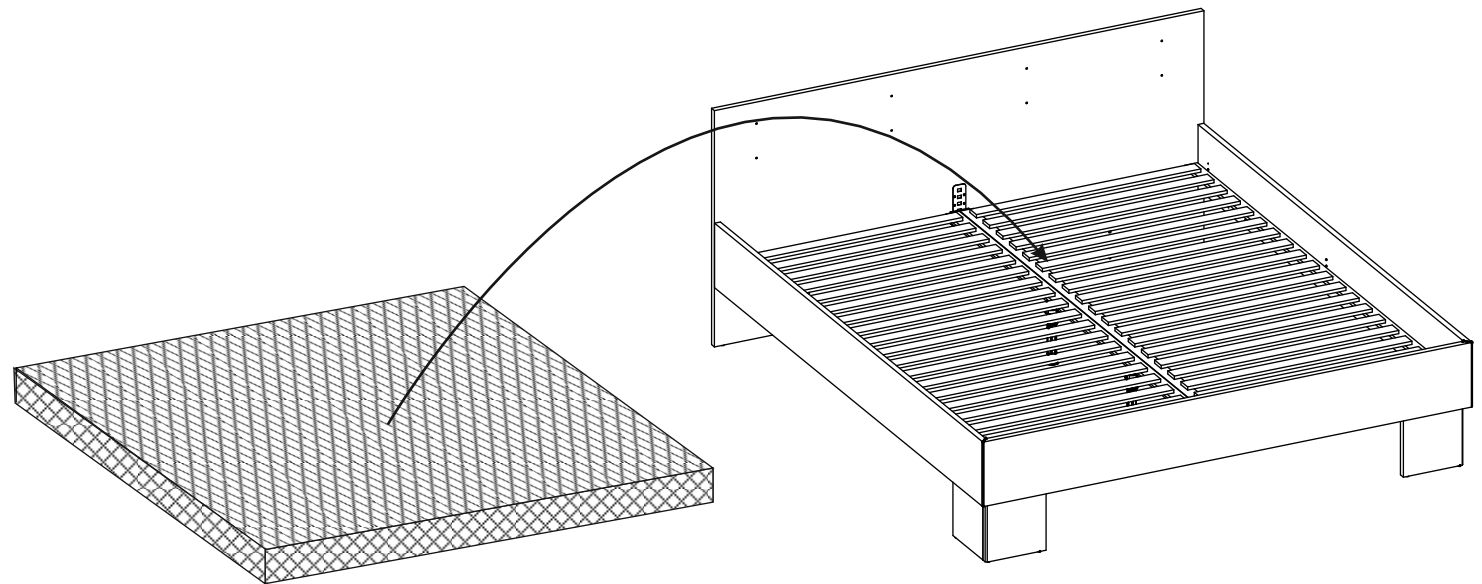
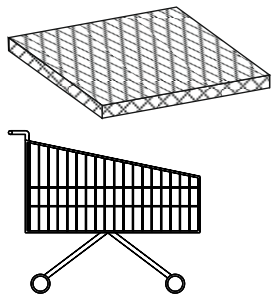




16



17





19

