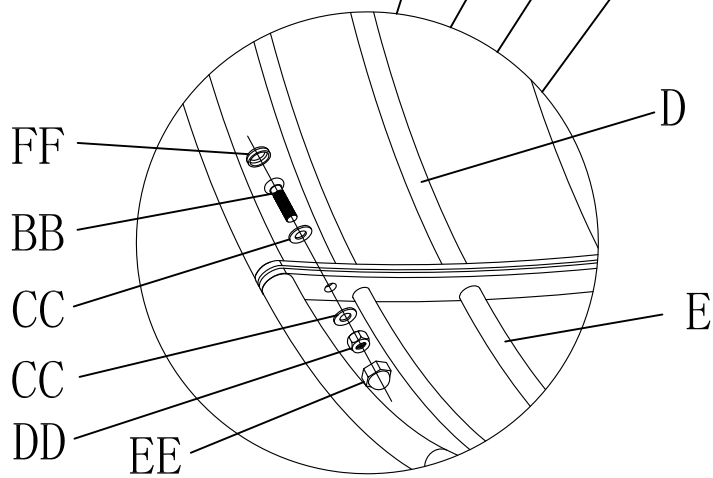

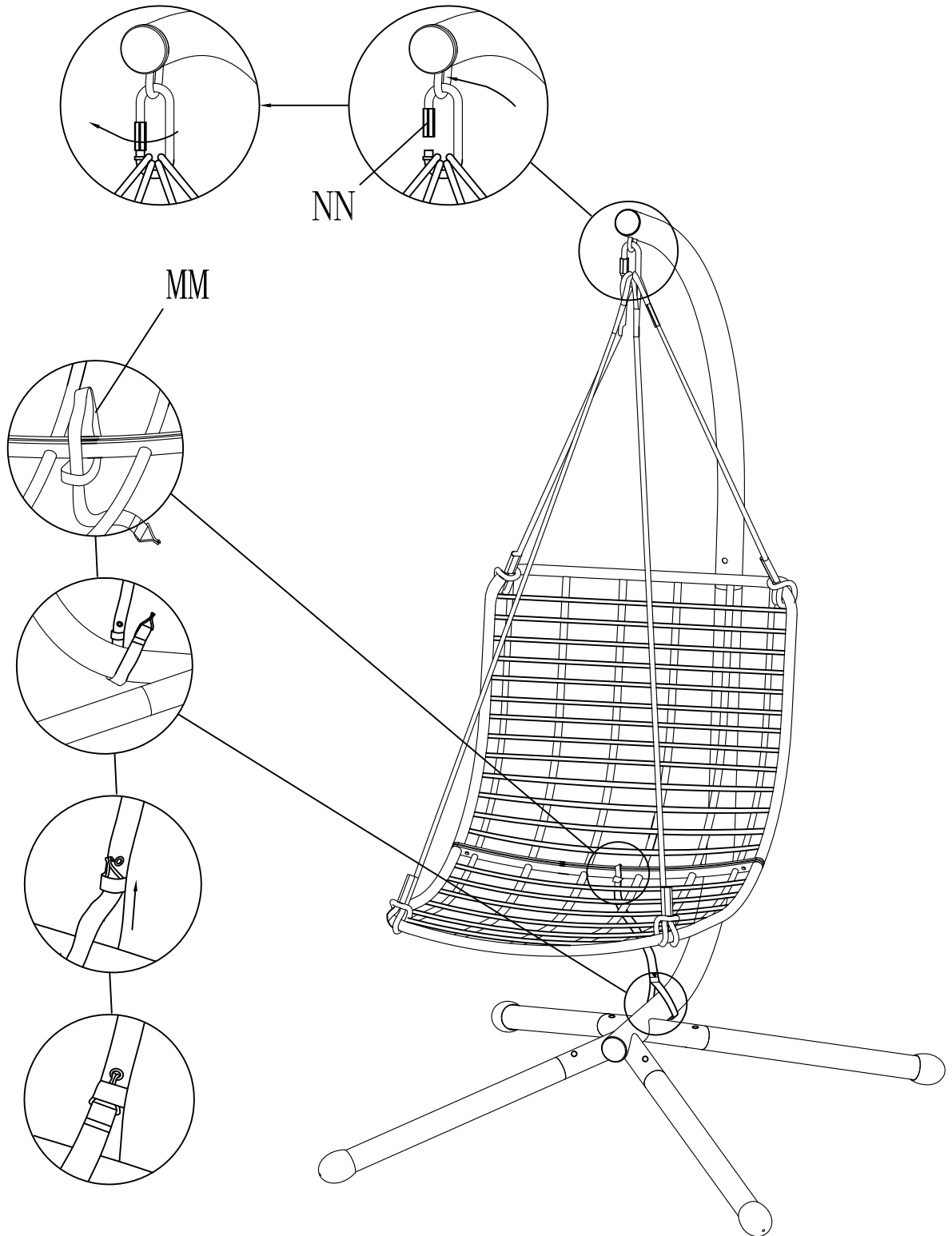



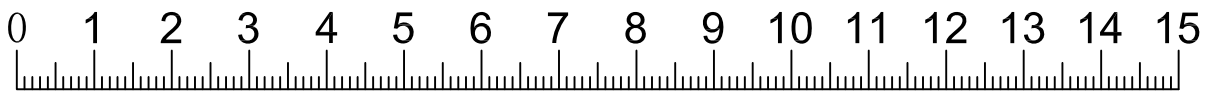
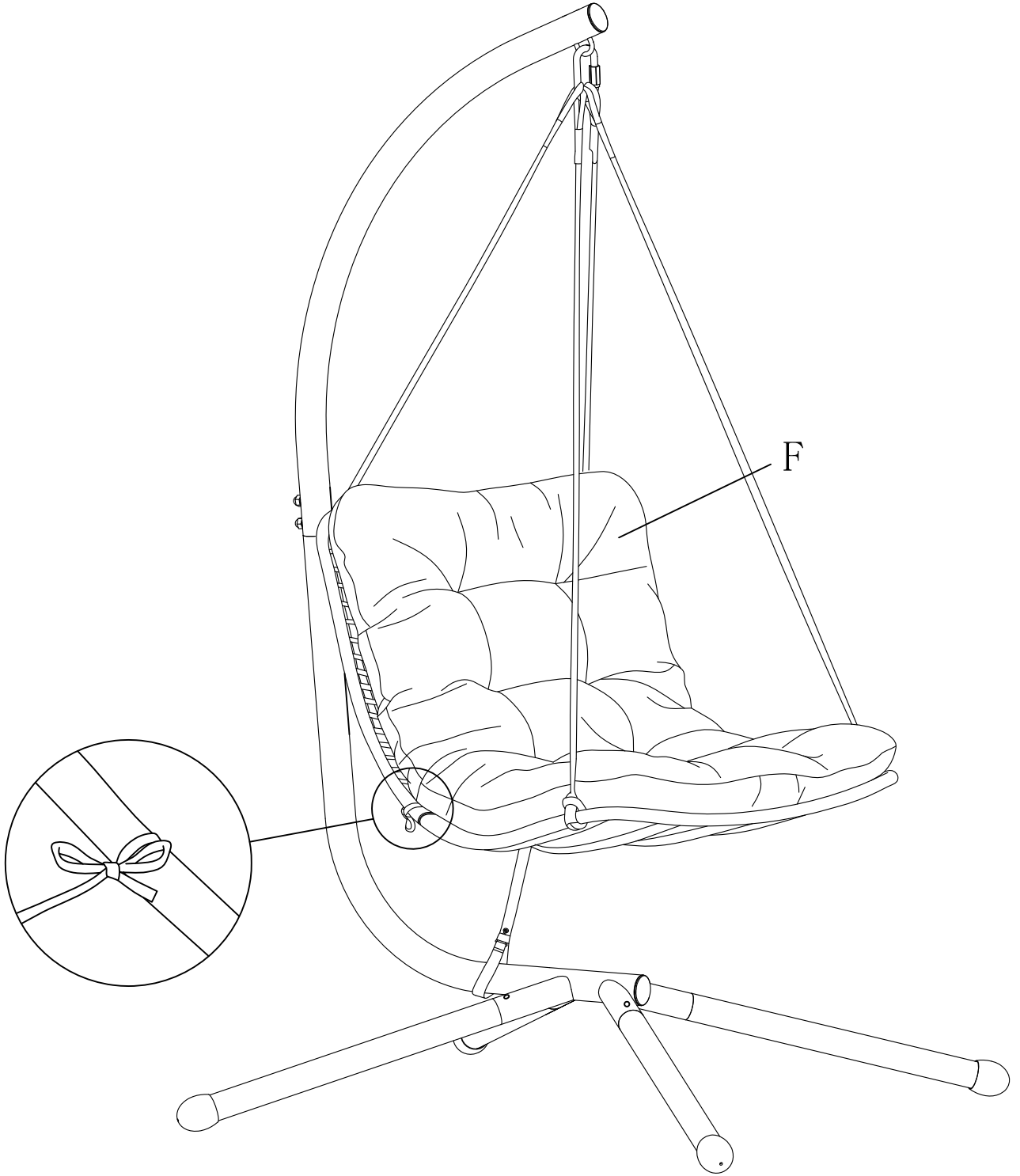
X4



MM	x1
	



F	x1
	



Safety notices

KEEP THESE INSTRUCTIONS IN A SAFE PLACE! WHEN PASSING THIS PRODUCT ON TO OTHERS; PLEASE INCLUDE ALL THE DOCUMENTS.

Life-threatening hazard!

Never leave children unattended with the packing materials. There is a risk of suffocation.

Risk of injury!

Make sure the product is properly stabilised before using it!

Place the item on a level surface.

Pay special attention to your fingers when suspending the chair. There is a risk of injury from crushing.

Ensure that the hanging chair is properly suspended before using the item.

The item may only be used with adult supervision and should not be used as a toy.

This item is neither a toy, nor a climbing apparatus! Ensure that persons, especially children, do not pull themselves up on the item or lean against it. The item may fall over.

Never leave your child unattended.

Maximum oscillating range: 15 °!

The item is not a swing.

The item may only be used by one person at a time.

Check the item for damage or wear before each use. Check regularly to make sure all bolted connections are tight!

The item should not be used if its components are damaged or lost.

Use the official accessories and replacement parts provided by the manufacturer.

Do not use the item near an open flame.

Observe the maximum load capacity of 110 kg.

If the weight limit is exceeded, this can lead to product damage and / or injuries.

Preventing damage to the item!

Protect the item during extreme weather conditions, e.g. strong wind. Store the item in a sheltered area.

Keep a clear space of 2 m around on either side and in front of the item

The hanging chair must only be assembled by adults. Danger when mounted incorrectly.