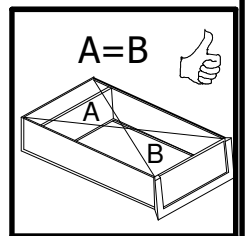
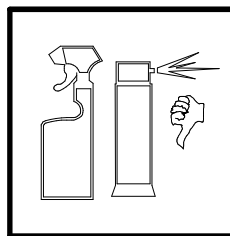
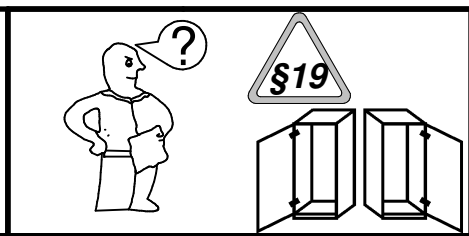
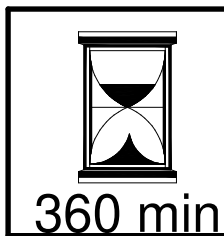
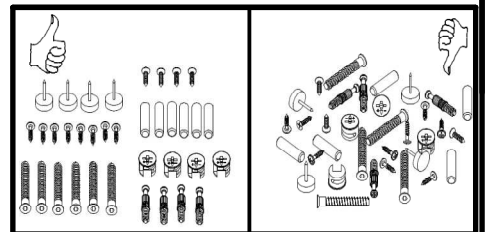
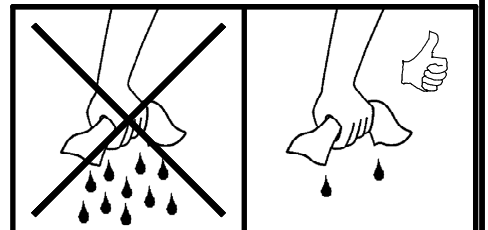
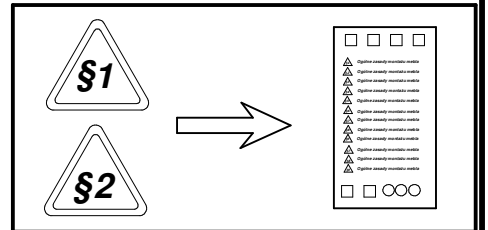
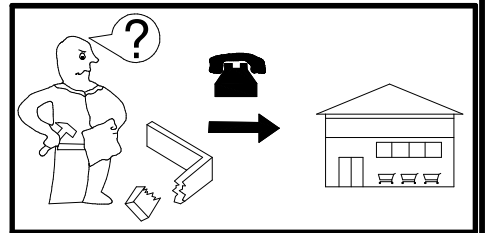
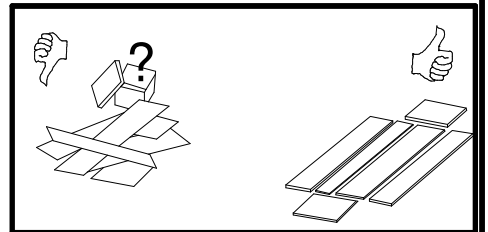
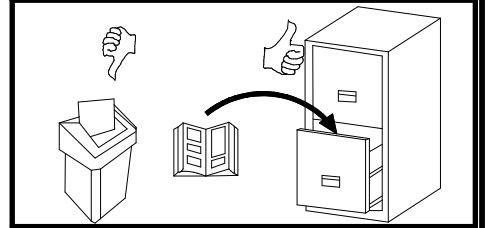
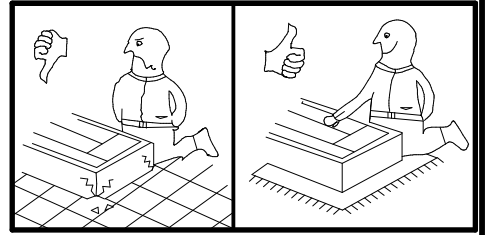
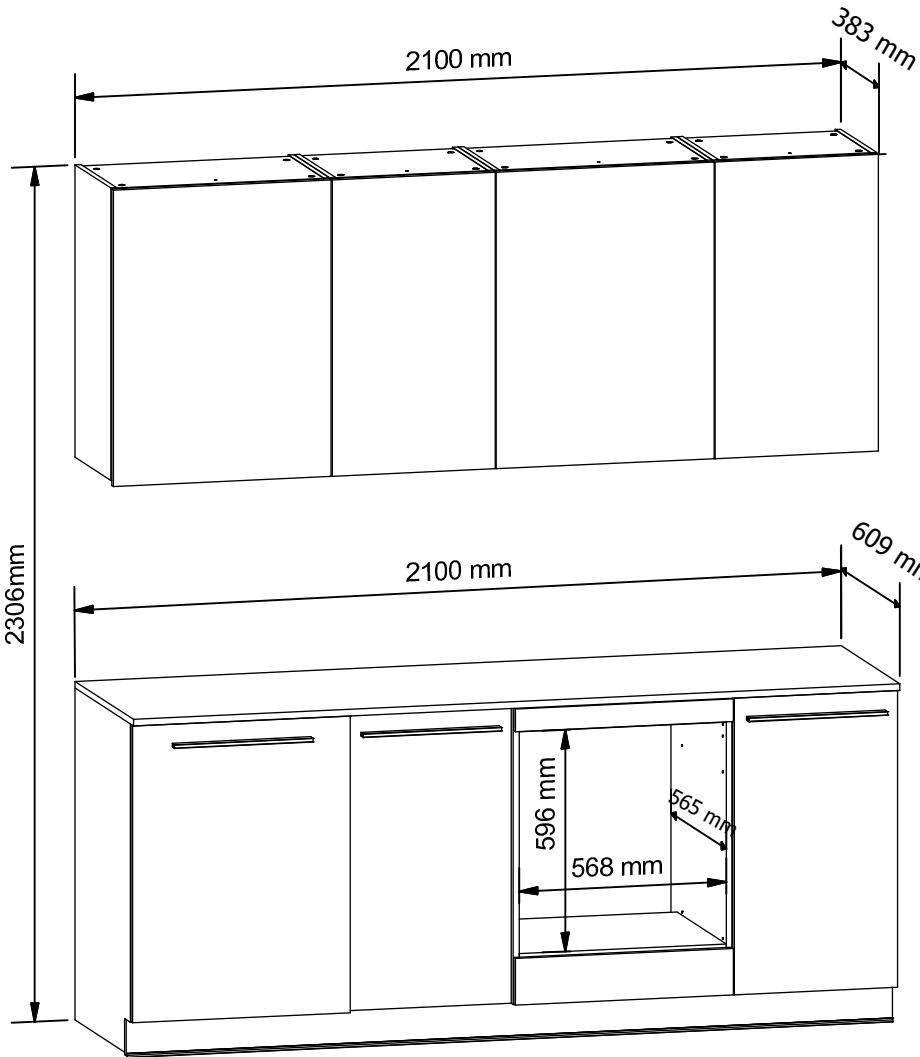






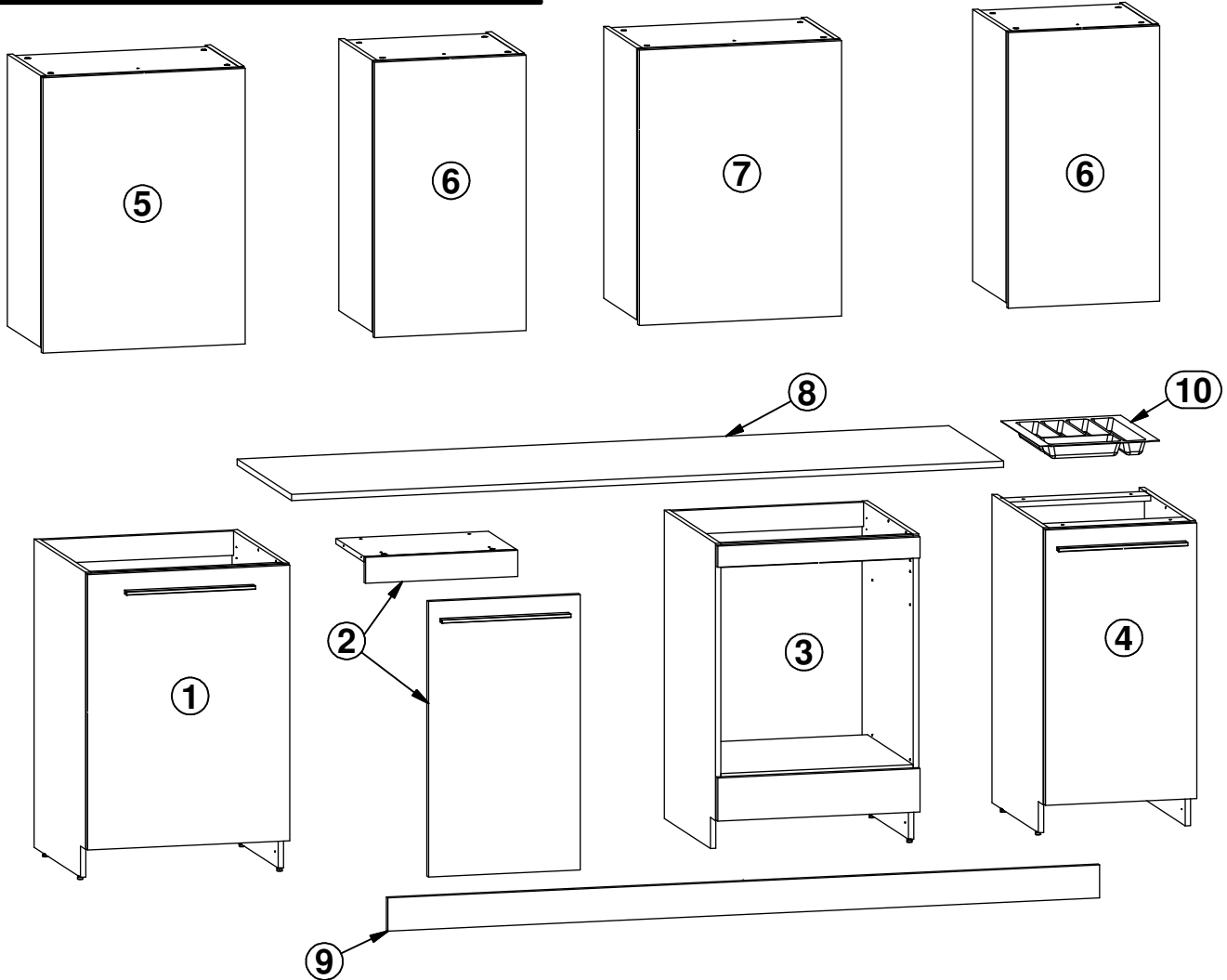
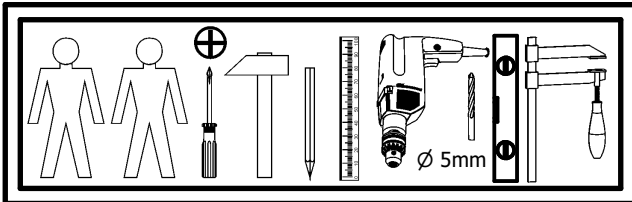
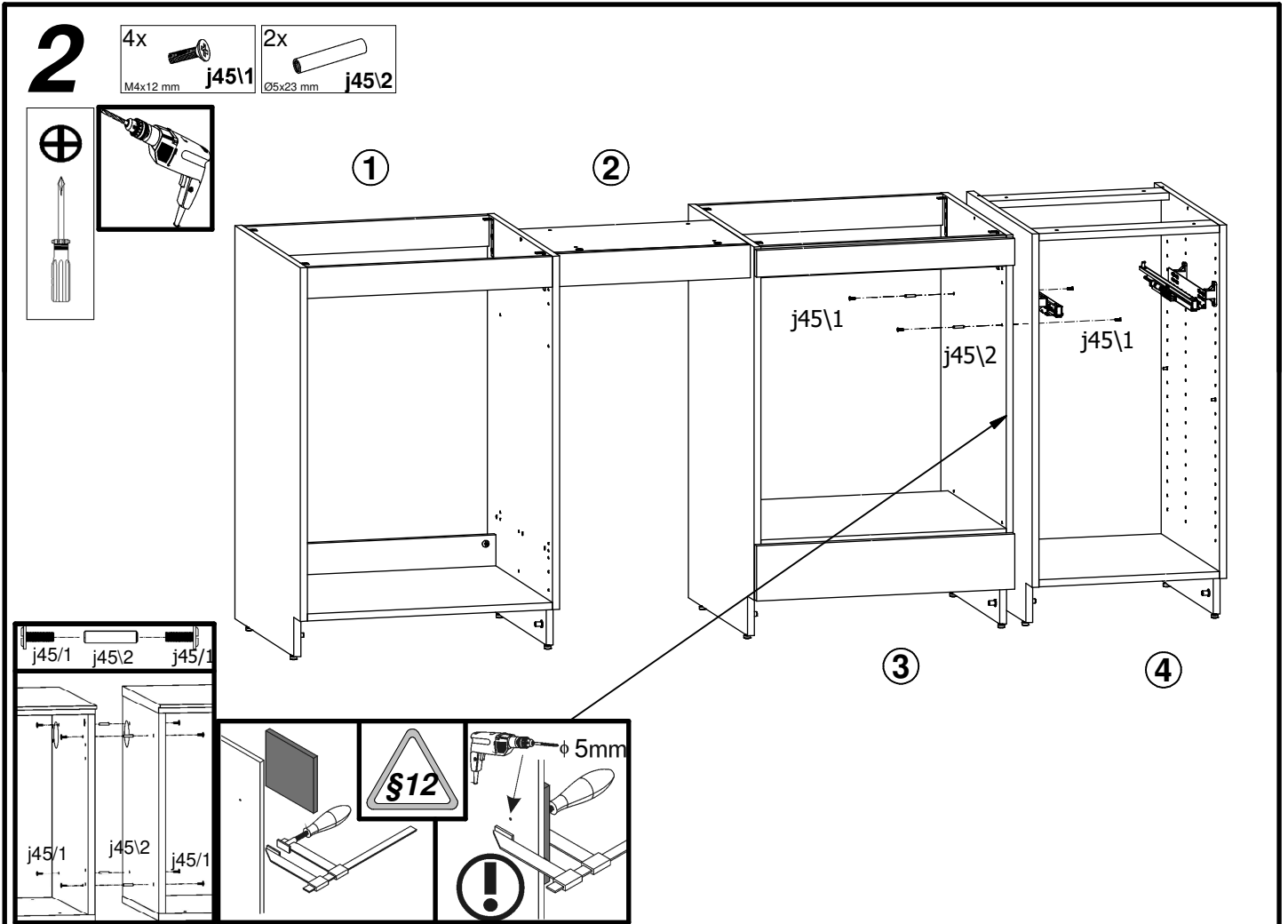
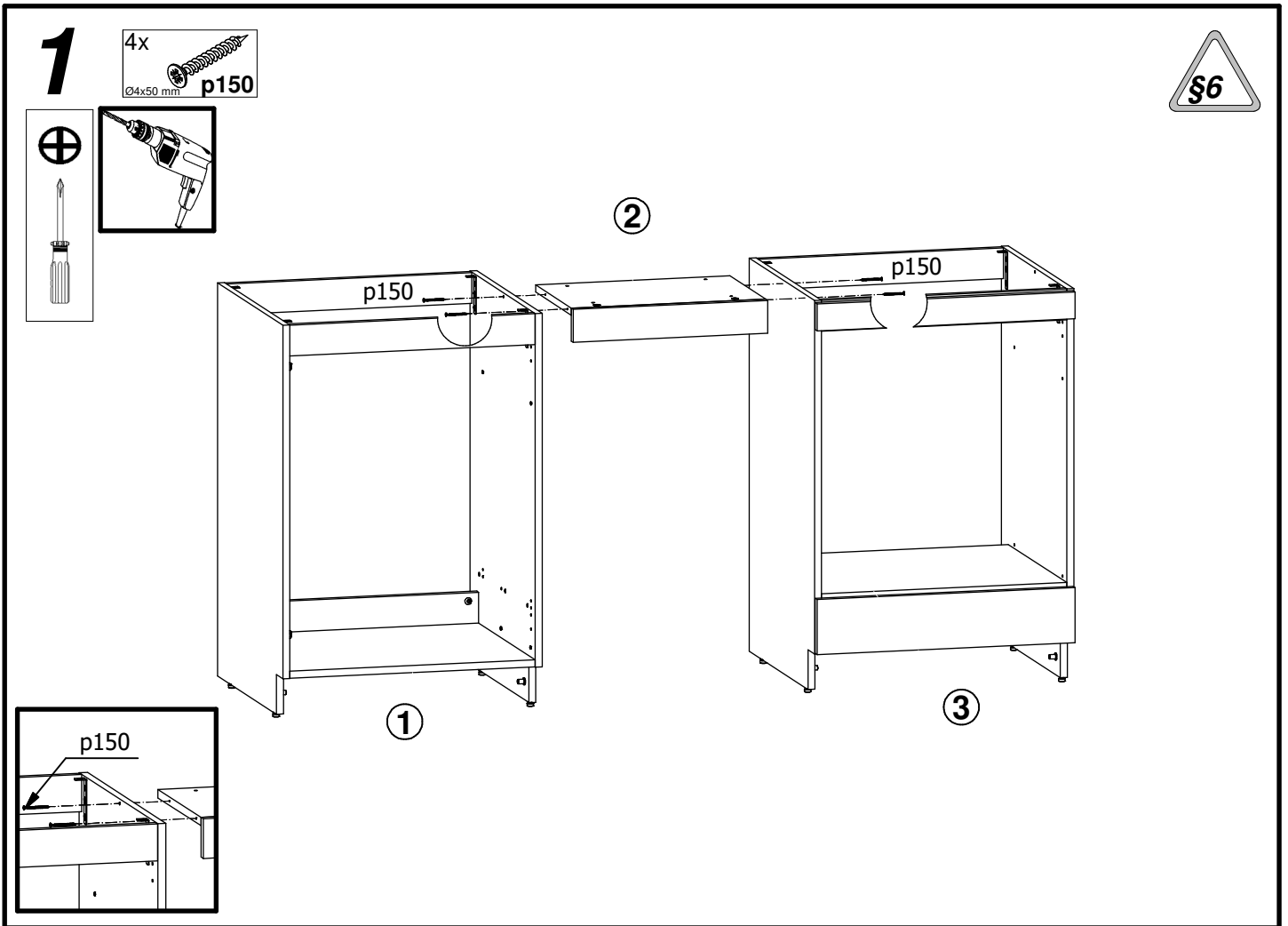


K49-MILINO_SMALL

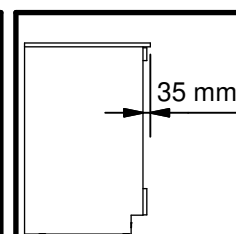
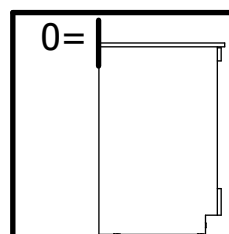
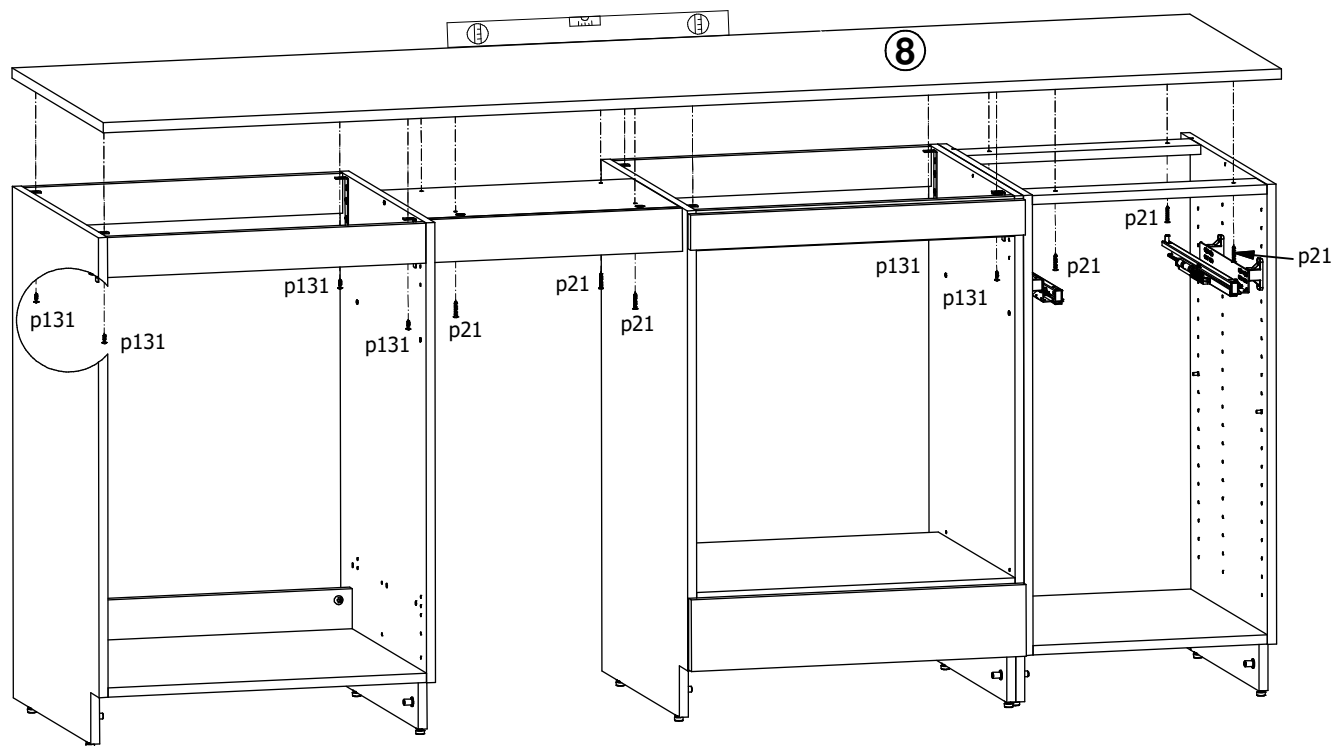
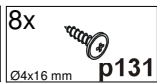
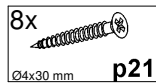


						
1	K49-DK/60/90	K49-DK/60/90 1/2 K49-DK/60/90 2/2	1	1056	596	x
2	K49-DM/45/80	K49-DM/45/80 1/1	1	895	536	x
3	K49-DPSB/60/90	K49-DPSB/60/90 1/3 K49-DPSB/60/90 2/3 Y00-03-SMSS/H80/450 3/3	1	1004	595	x
4	K49-D1D/45/90/SWN	K49-D1D/45/90/SWN 1/3 K49-D1D/45/90/SWN 2/3 Y00-03-SMSS/H80/450 3/3	1	1045	590	x
5	K49-G1D/60/80	K49-G1D/60/80 1/2 K49-G1D/60/80 2/2	1	934	603	x
6	K49-G1D/45/80	K49-G1D/45/80 1/2 K49-G1D/45/80 2/2	2	890	458	x
7	K49-G1DO/60/80	K49-G1DO/60/80 1/2 K49-G1DO/60/80 2/2	1	934	603	x
8	K49-BLA/210/60	K49-BLA/210/60 1/1	1	2160	606	
9	K49-COK/210	K49-COK/210 1/1	1	2161	126	
10	K49-WK_RIGO_400	K49-WK_RIGO_400 1/1	1	456	364	

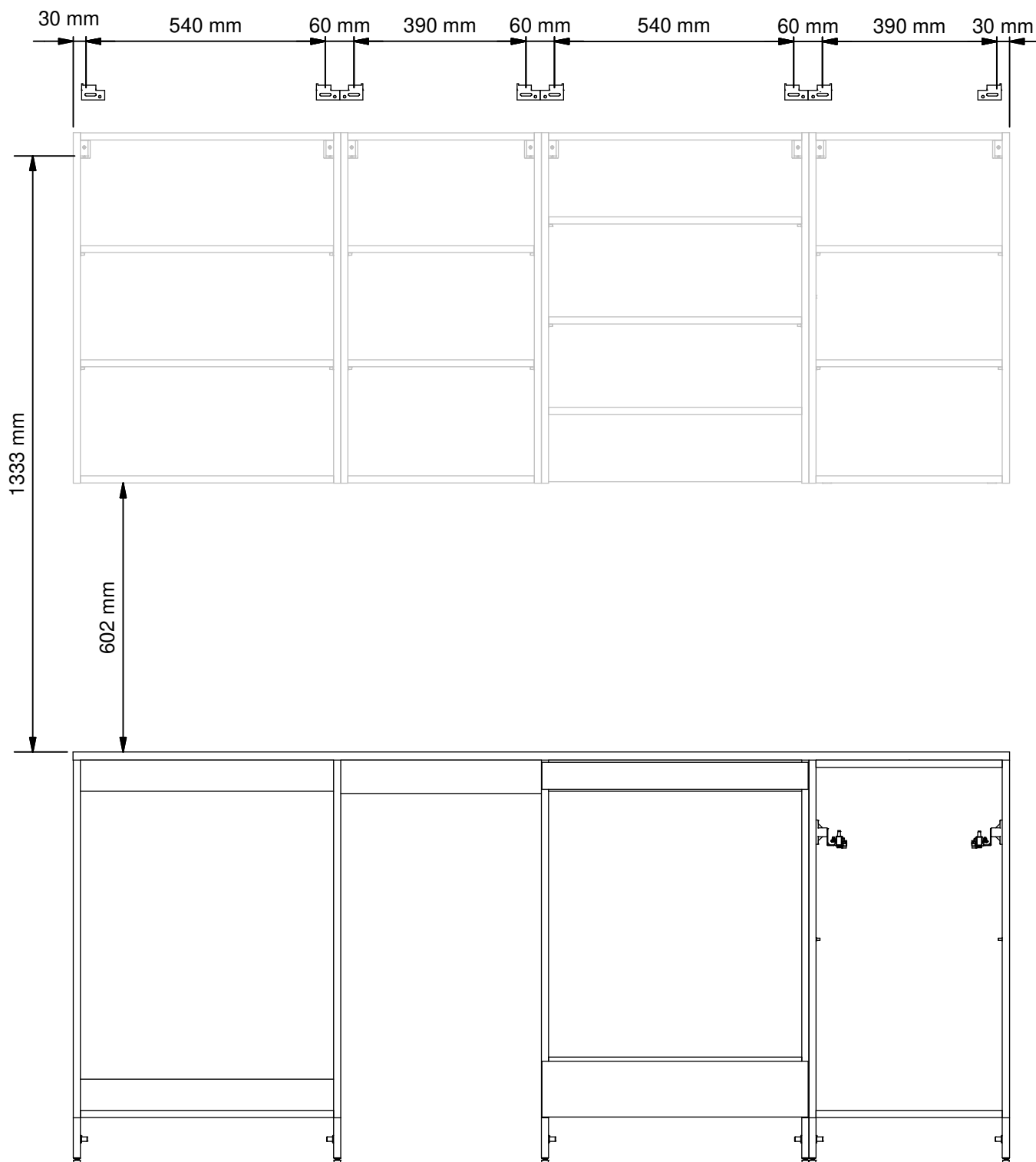




3

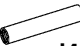


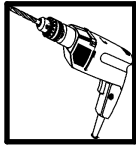
4



5

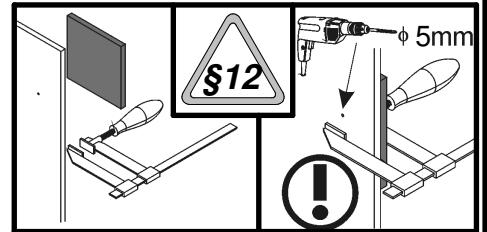
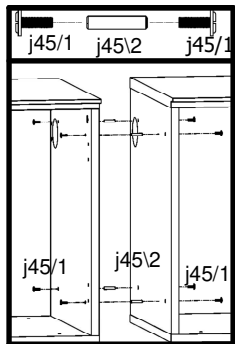
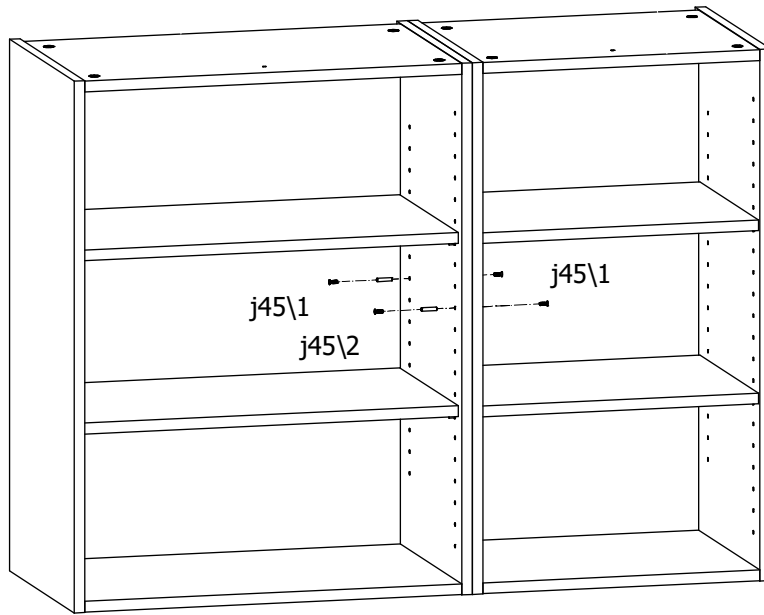
4x  **j45\1**
M4x12 mm

2x  **j45\2**
Ø5x23 mm



⑤

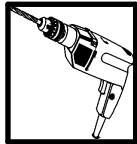
⑥



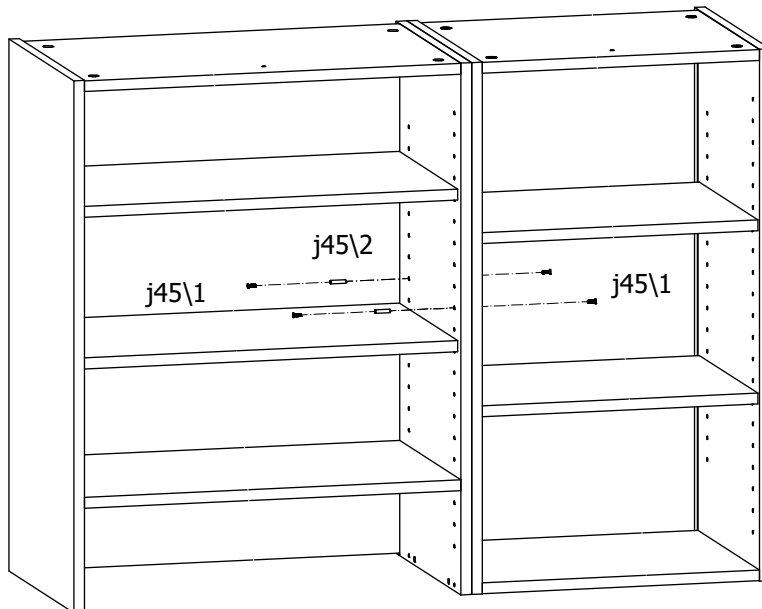
6

4x  **j45\1**
M4x12 mm

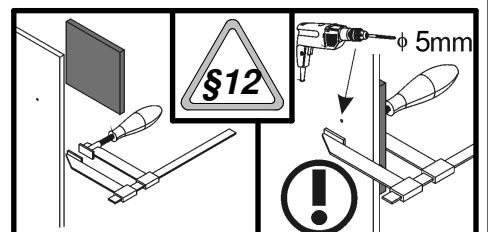
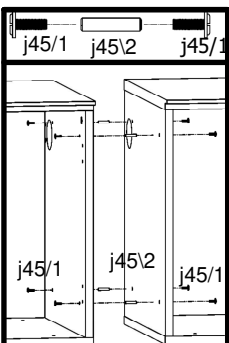
2x  **j45\2**
Ø5x23 mm



⑥



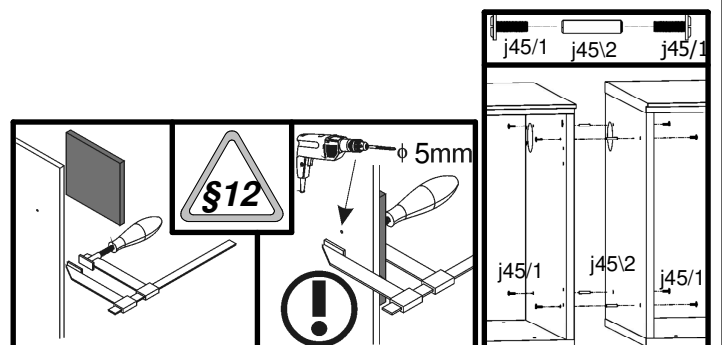
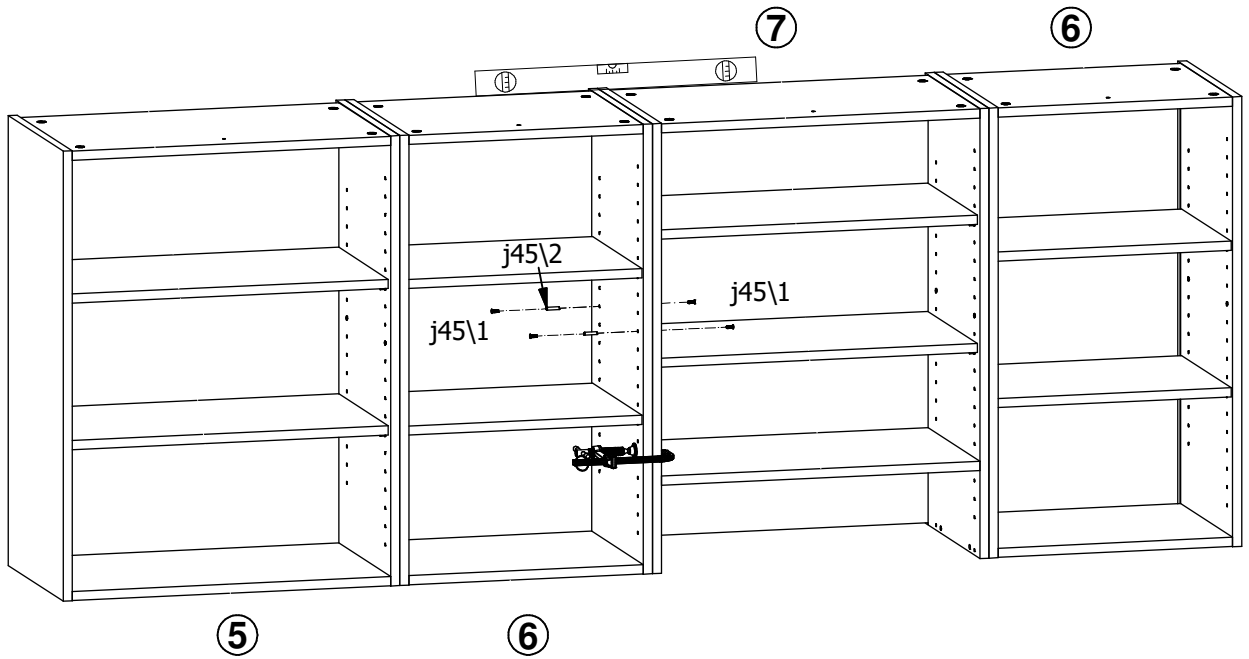
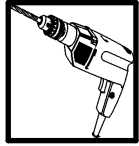
⑦



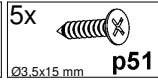
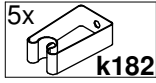
7

4x
M4x12 mm
j45\1

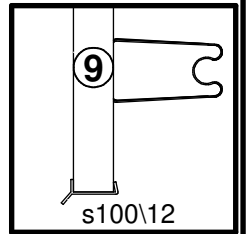
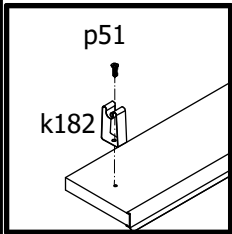
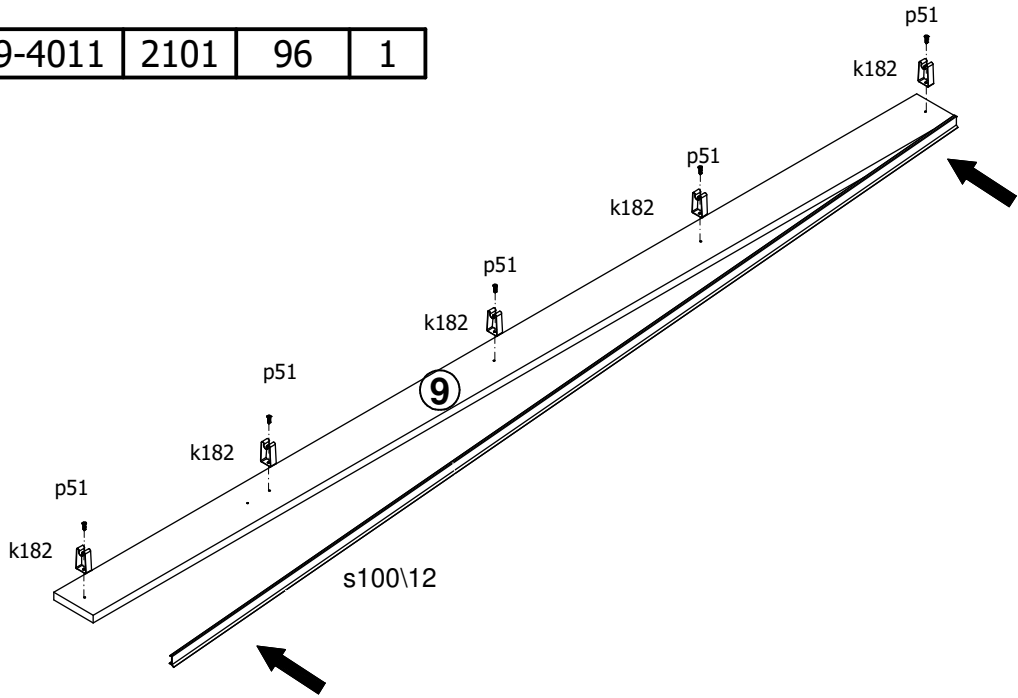
2x
Ø5x23 mm
j45\2



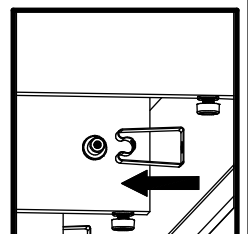
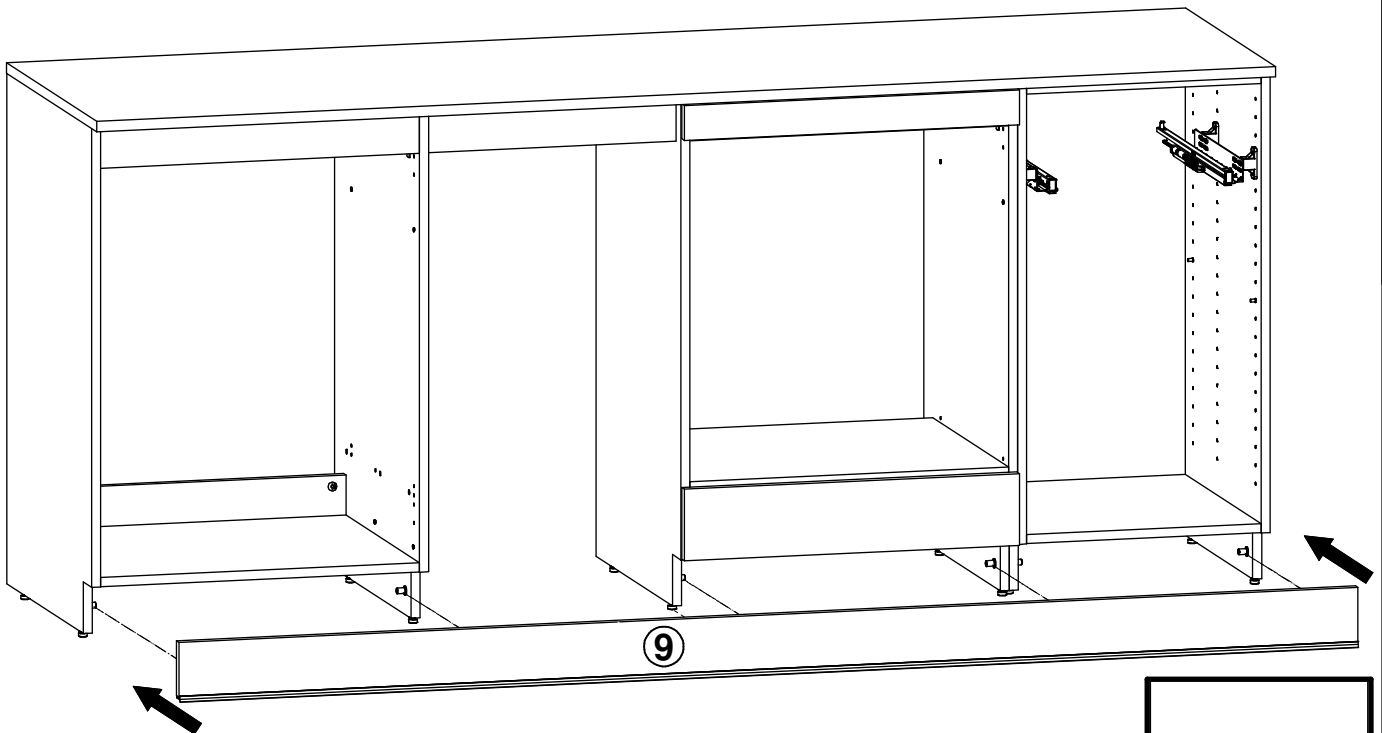
8



9	K49-4011	2101	96	1
---	----------	------	----	---



9



10

