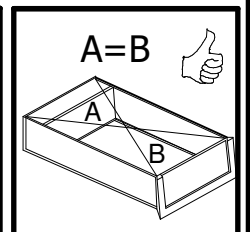
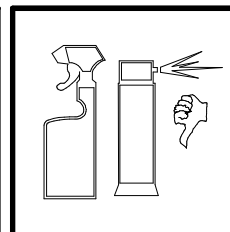
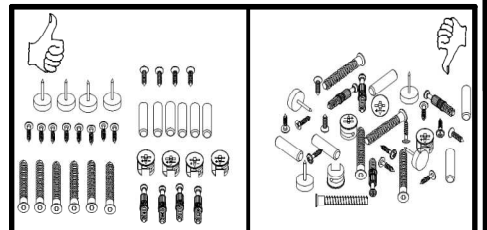
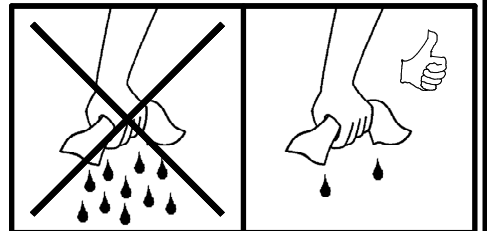
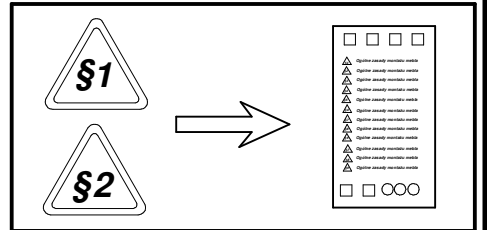
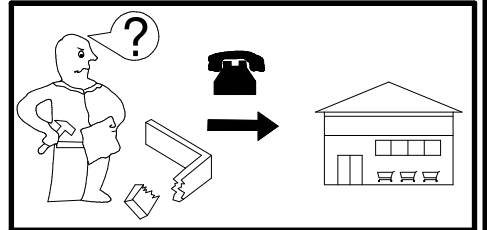
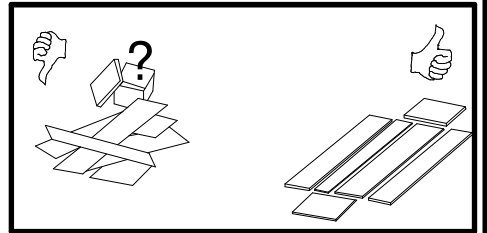
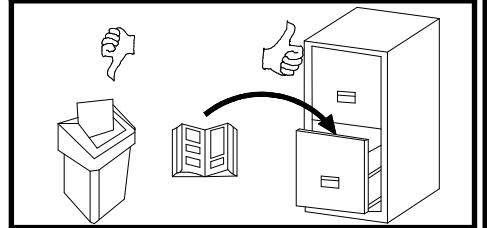
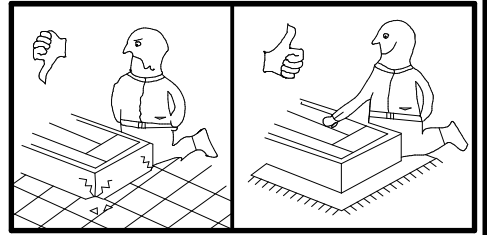
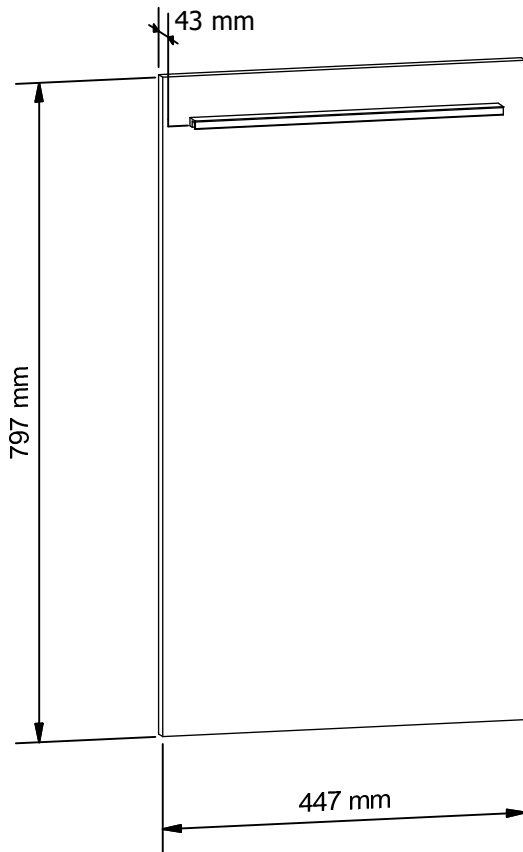
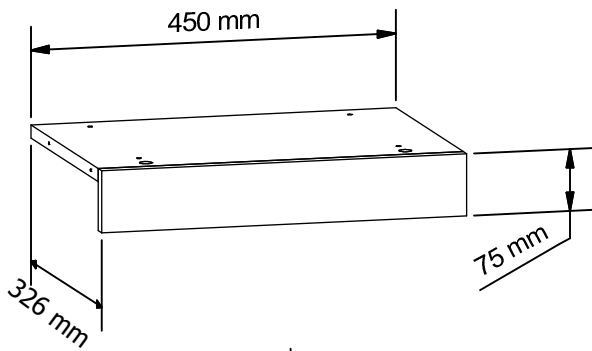
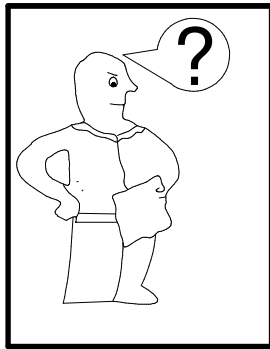


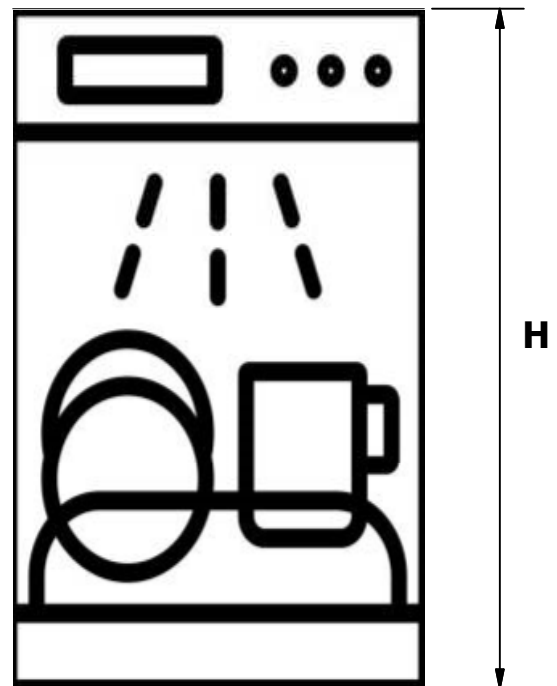
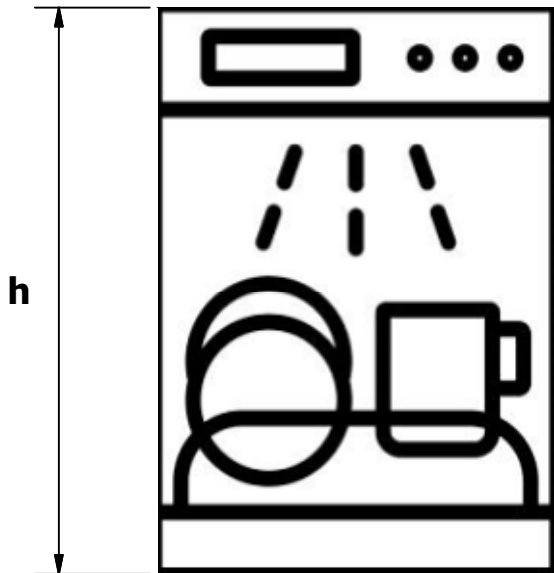
K49-DM/45/80





A

B

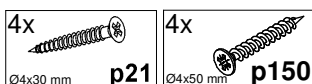
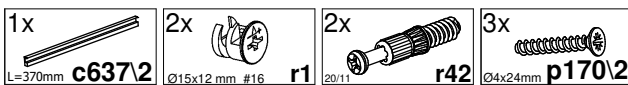
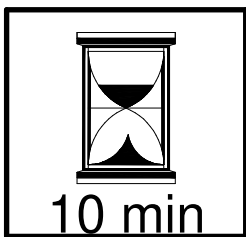
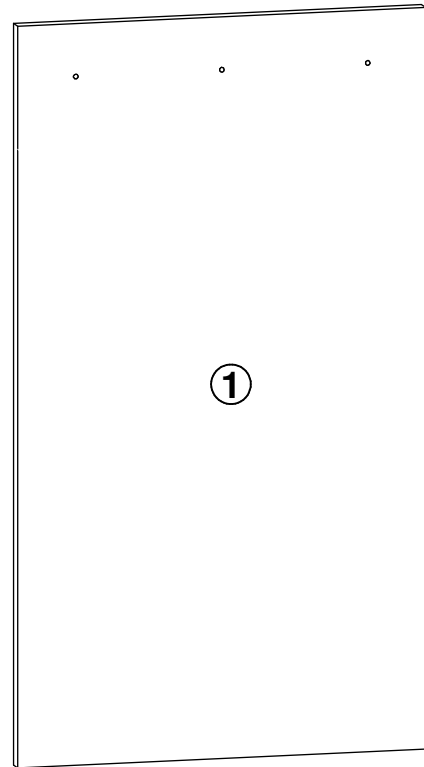
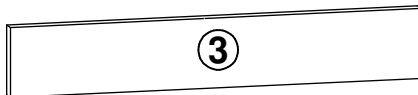
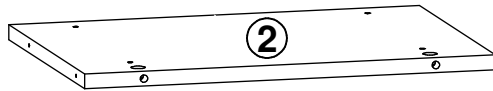
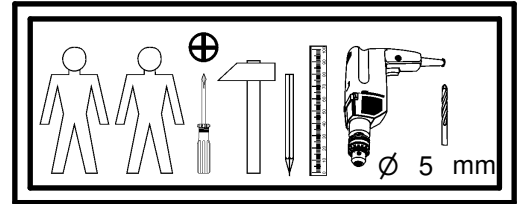


$h \leq 825 \text{ mm}$
(STANDARD)



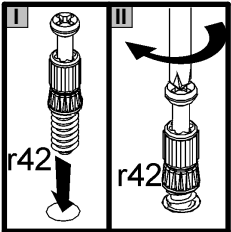
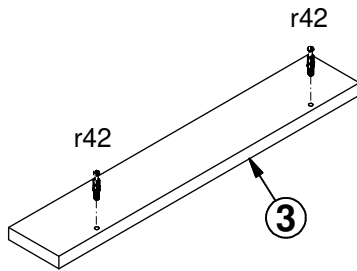
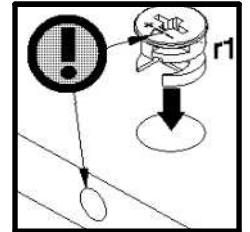
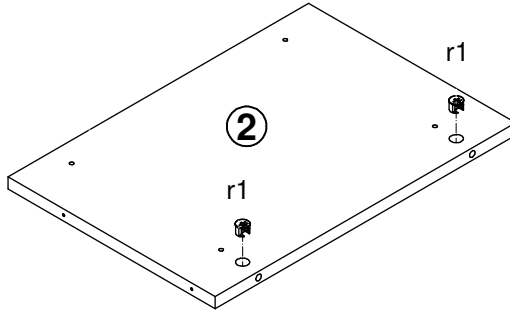
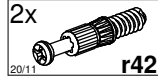
$H \leq 885 \text{ mm}$
(XL)

A	B	C		D
1	K49-0011	797	447	1/1
2	K49-4006	450	310	1/1
3	K49-4013	450	75	1/1

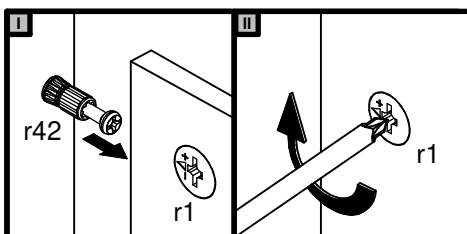
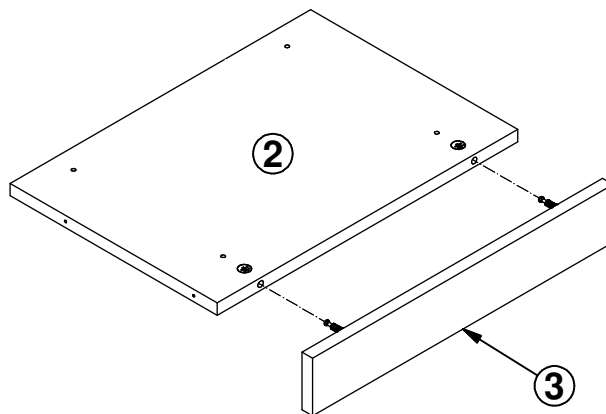


← P28-K49-DBG/210-M_IN27-A-KOR01-TSZT01

1



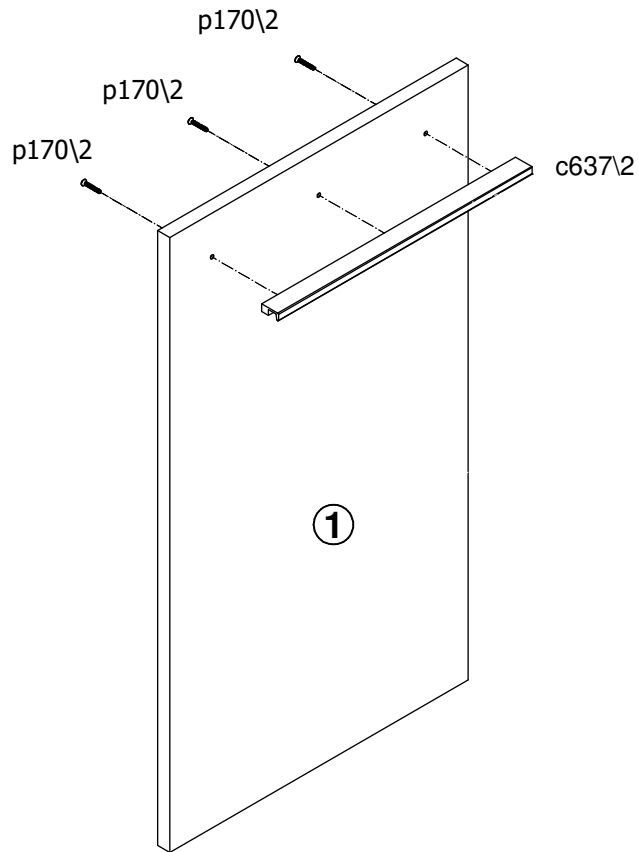
2



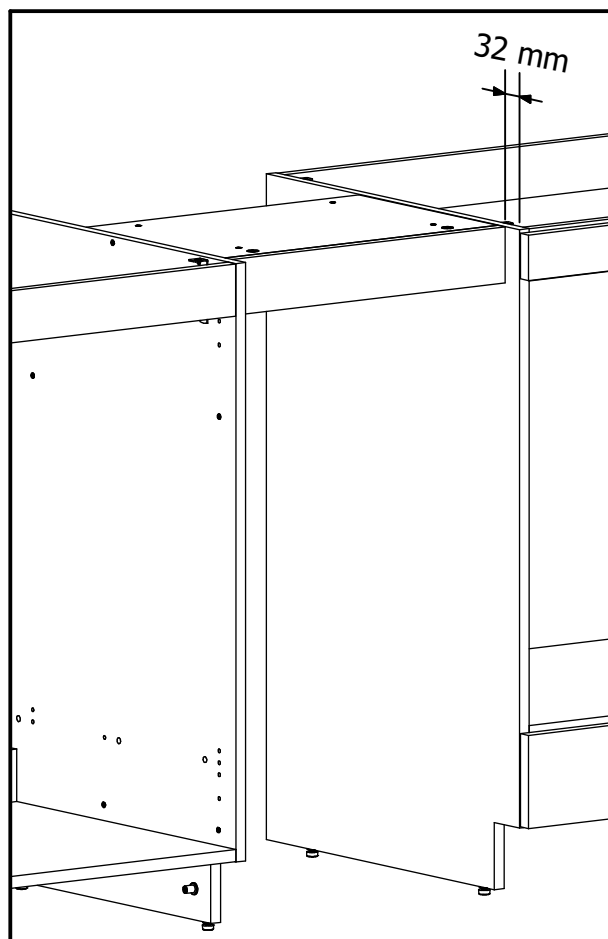
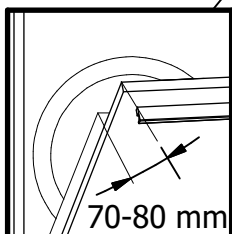
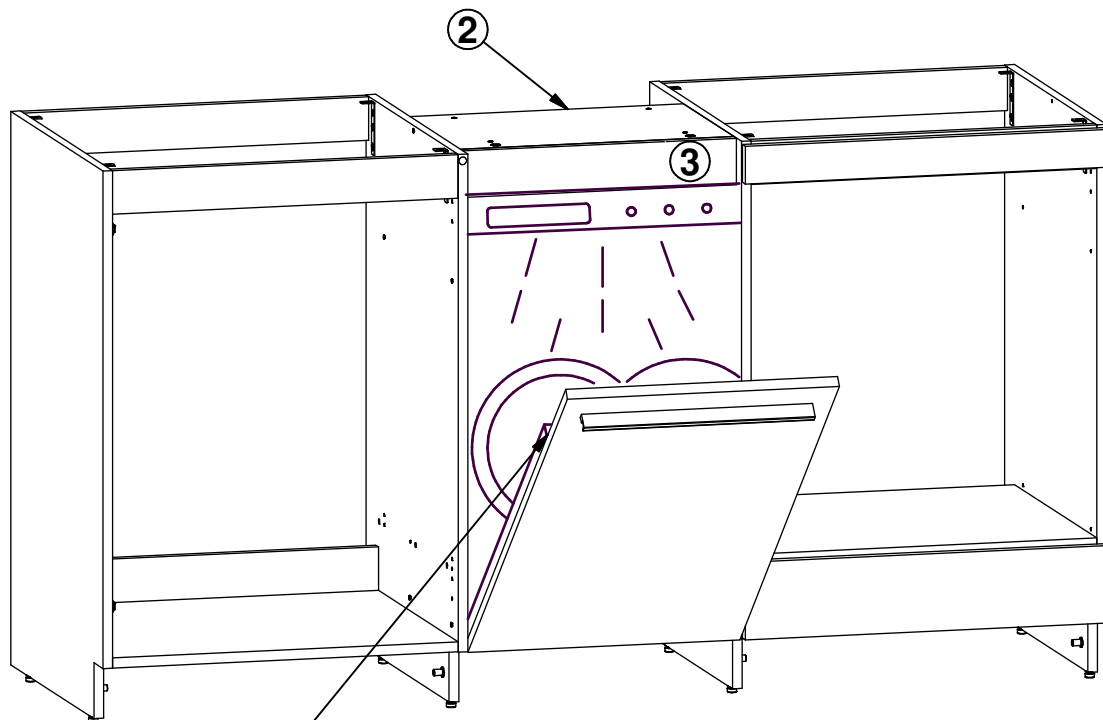
3

1x
L=370mm **c637\2**

3x
Ø4x24mm **p170\2**

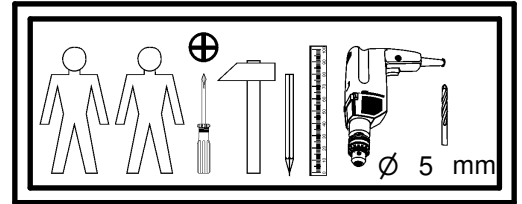
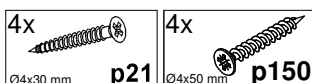
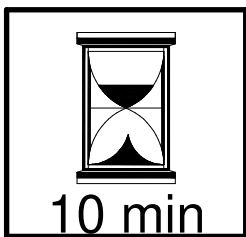
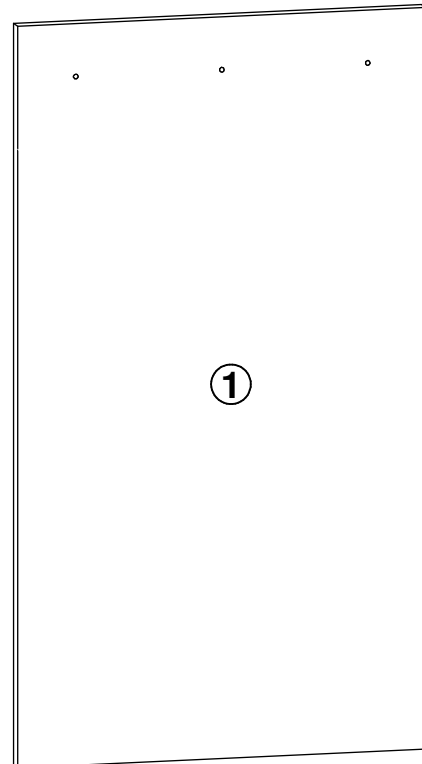
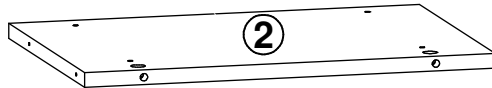


4



A**K49-DM/45/80**

A	B	C		D
1	K49-0011	797	447	1/1
2	K49-4006	450	310	1/1

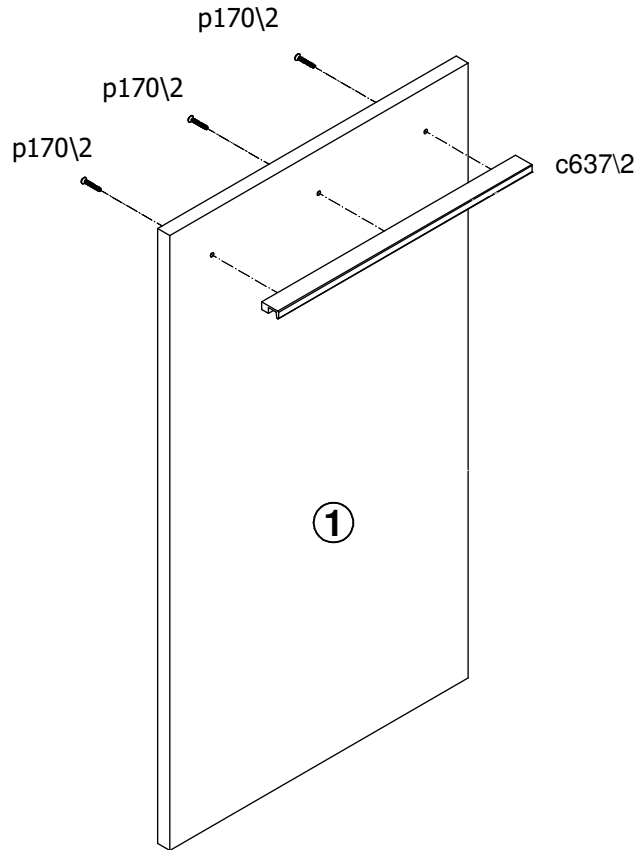
**B**

← P28-K49-DBG/210-M_IN27-A-KOR01-TSZT01

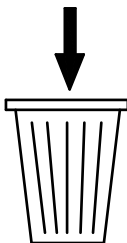
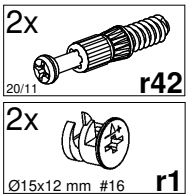
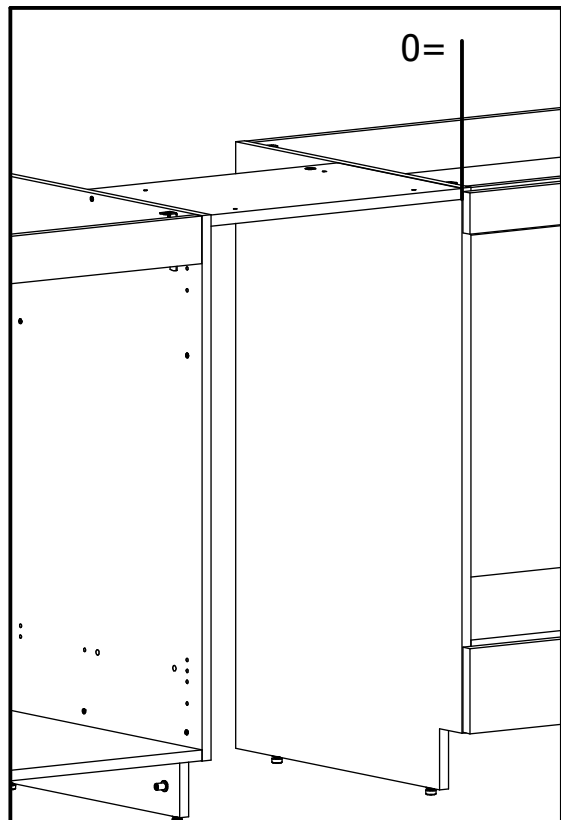
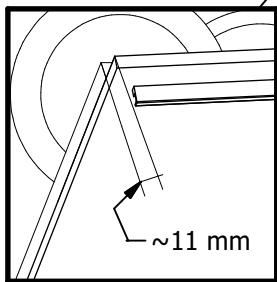
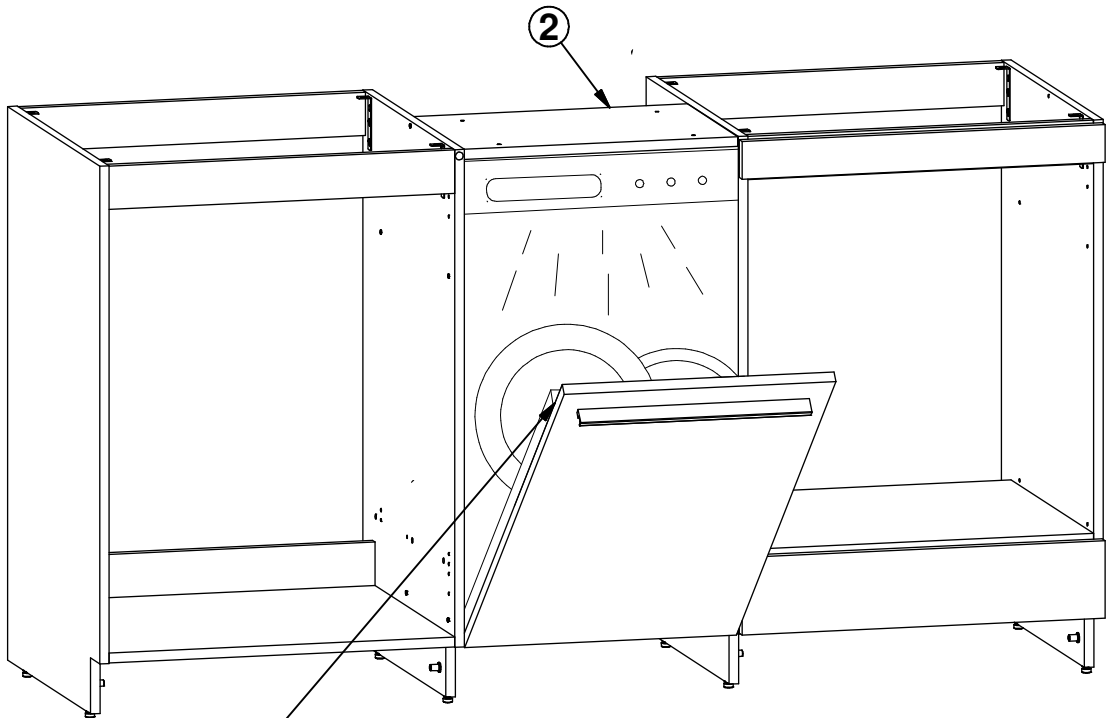
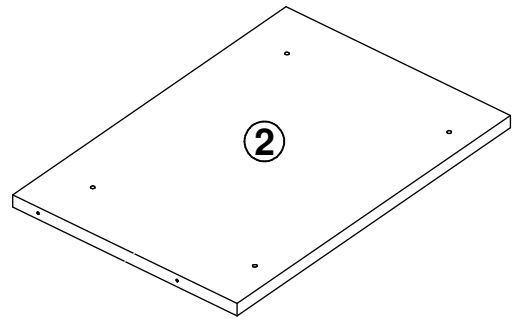
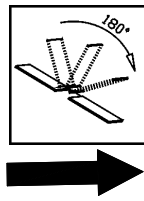
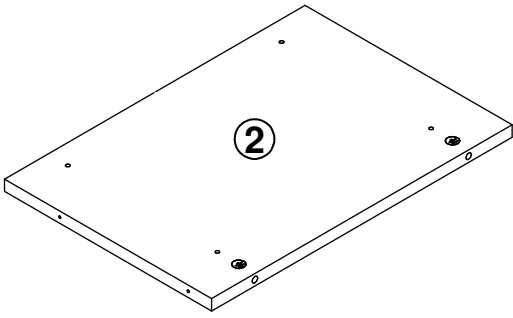
5

1x
L=370mm **c637\2**

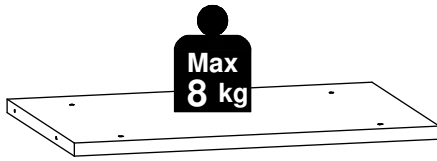
3x
Ø4x24mm **p170\2**



6



7



- NE JAMAIS UTILISER
DEPRODUITS ABRASIFS:
POUDRE, LAINE D'ACIER, SOLVANTS.
- NE PAS MOUILLER



- NEVER USE ABRASIVE PRODUCTS
OR SOLVENTS.
DO NOT APPLY EXCESSIVE PRESSURE
WHEN USING THE DAMP CLOTH.

	PAPER DECOR	SURFACES STRATIFIÉES	SURFACES LAQUÉES	BOIS VERNIS	TEXTILE CUIR
EAU SAVONNEUSE (SAVON NEUTRE)	●	●	●	●	●
EAU ADDITIONNÉE DE DÉTERGENT		●	●		
ENTRETIEN SPÉCIFIQUE FABRICANT					●

	PAPER DECOR	LAMINATED SURFACES	LACQUERED SURFACE	VARNISHED WOOD	LEATHER TEXTILE
SOAPY WATER (NEUTRAL SOAP)	●	●	●	●	●
WATER WITH DETERGENT		●	●		
SPECIFIC SUPPLIER CLEANING					●