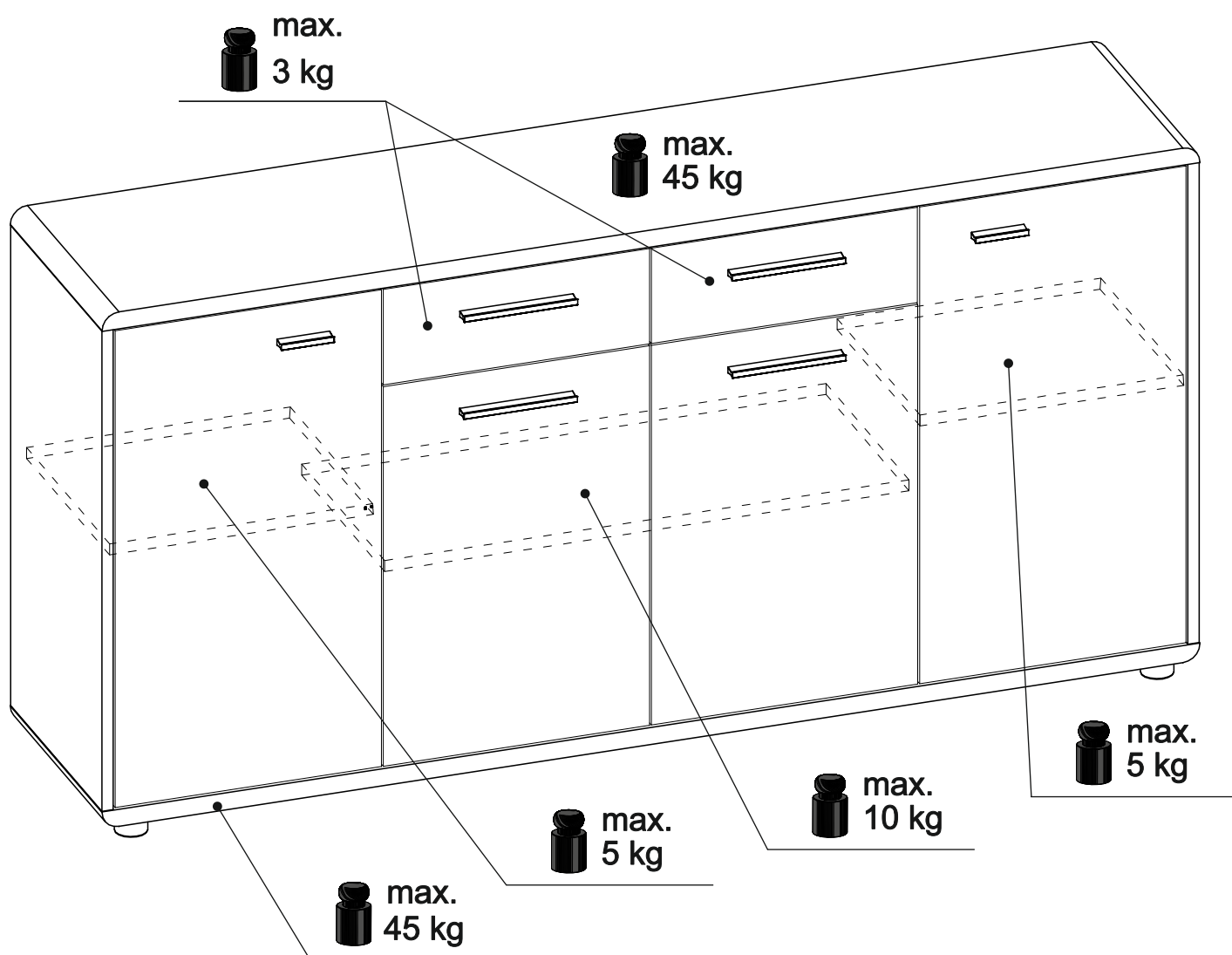
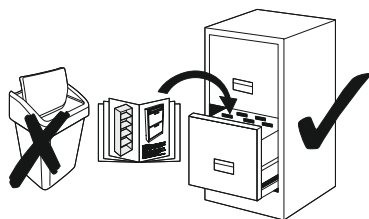
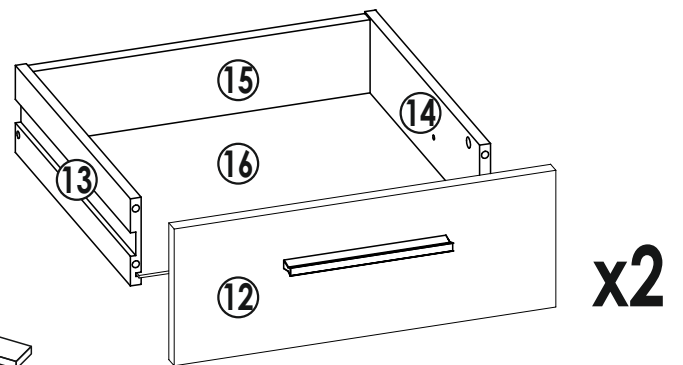
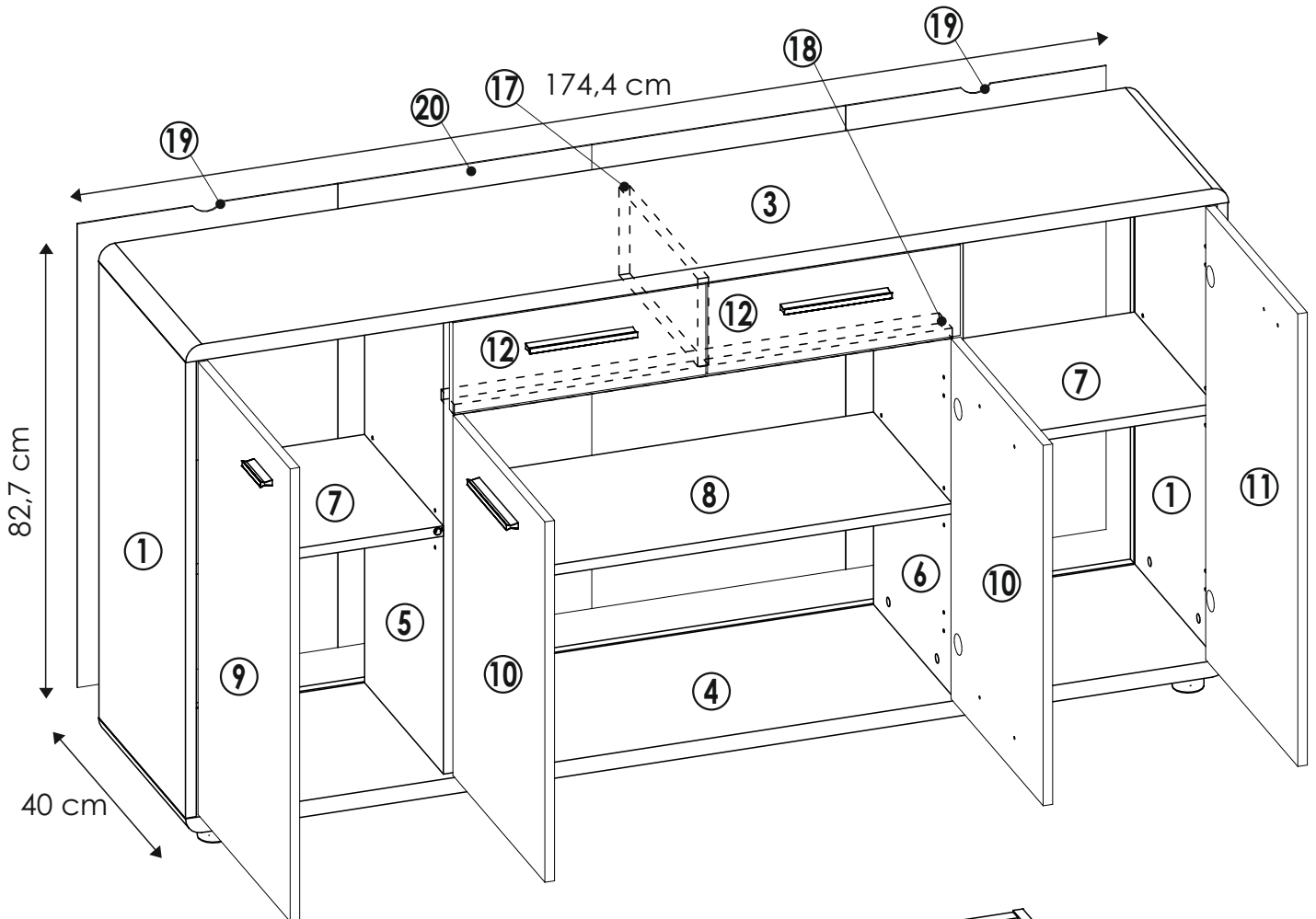


FONTANA FTK05



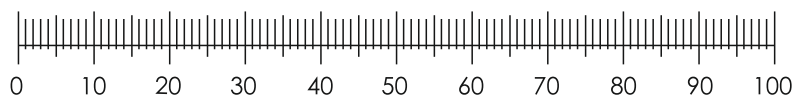
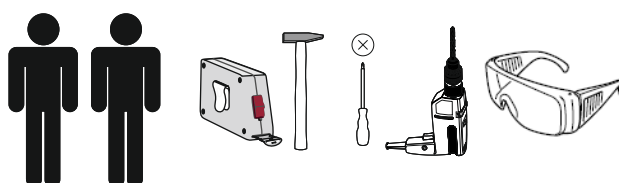
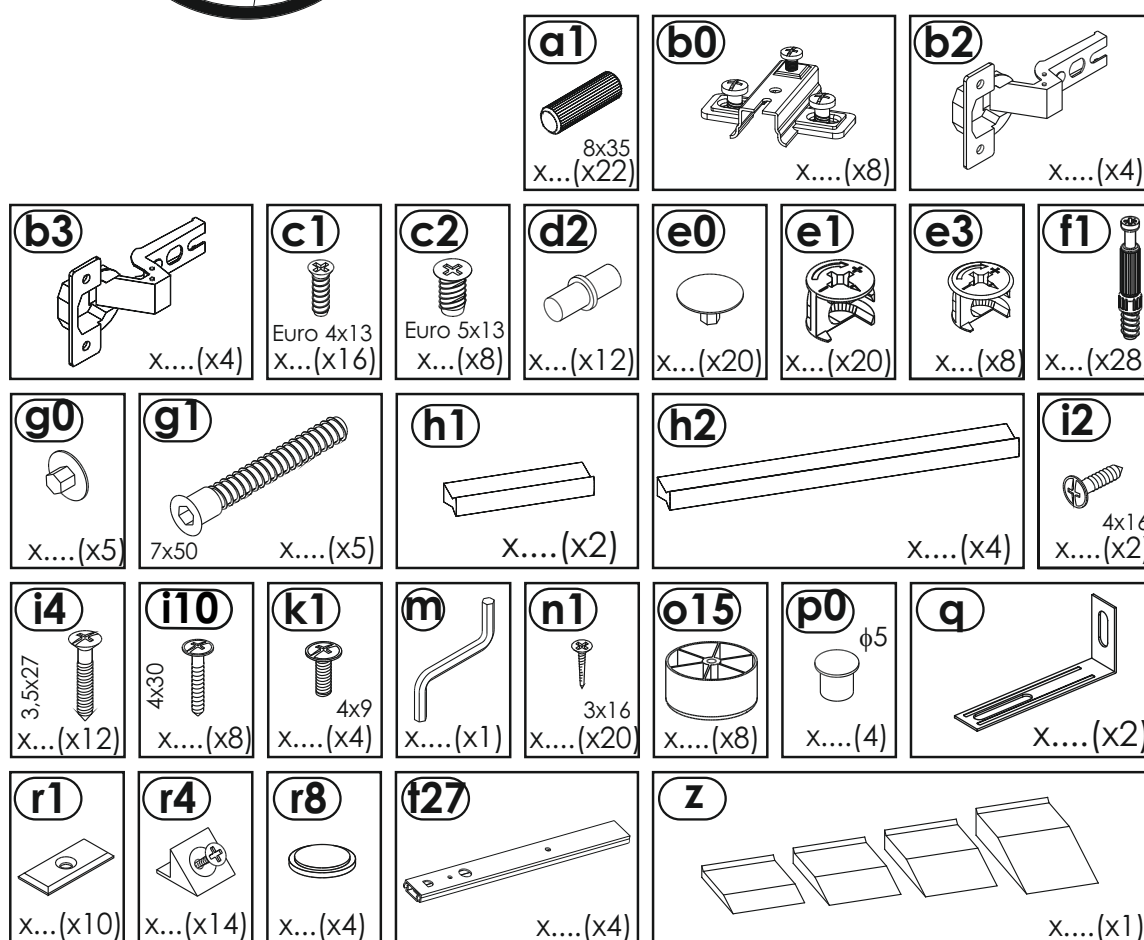
FONTANA FTK05



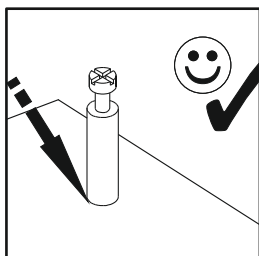
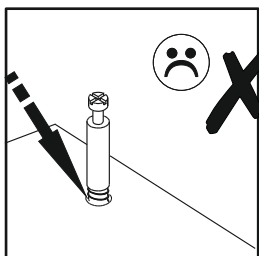
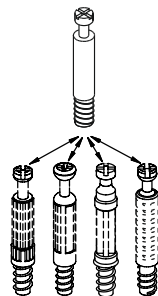
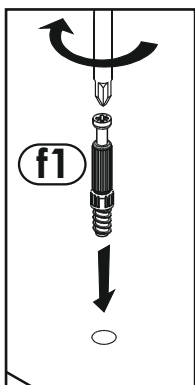
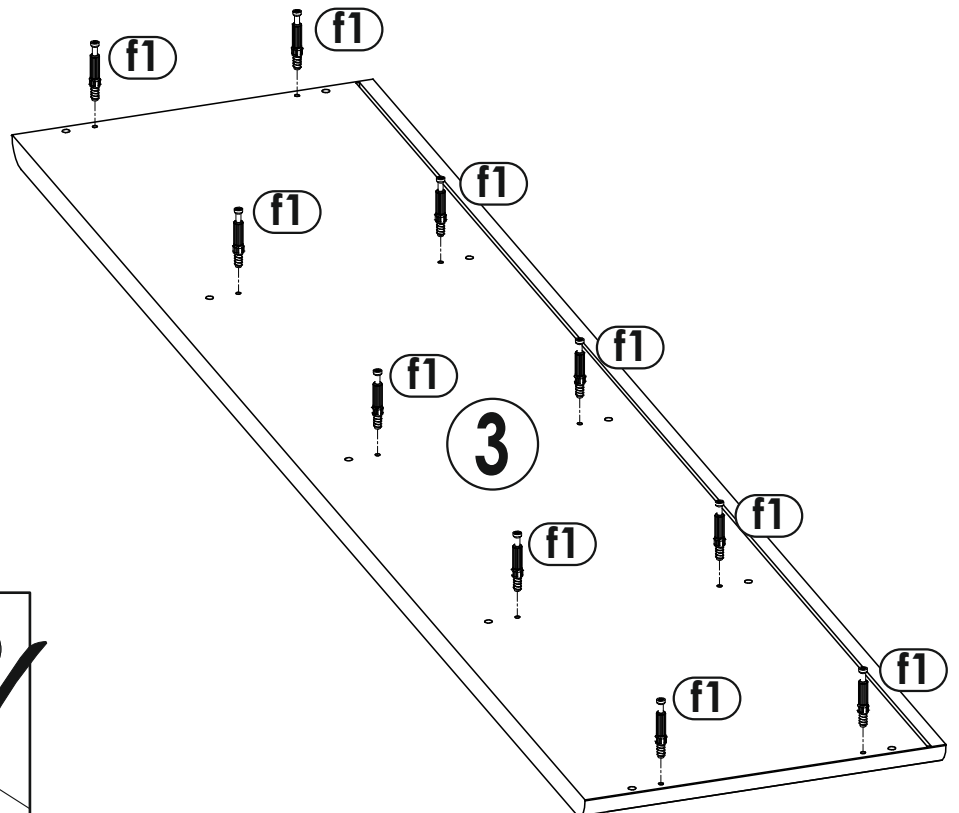
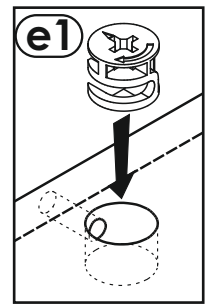
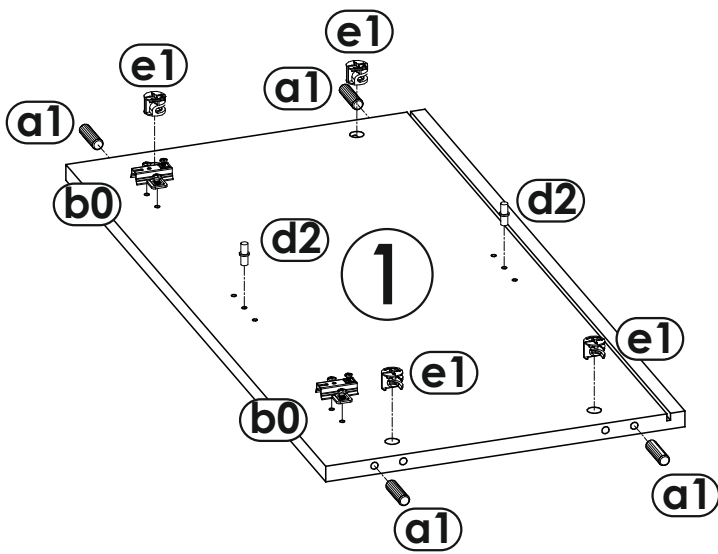
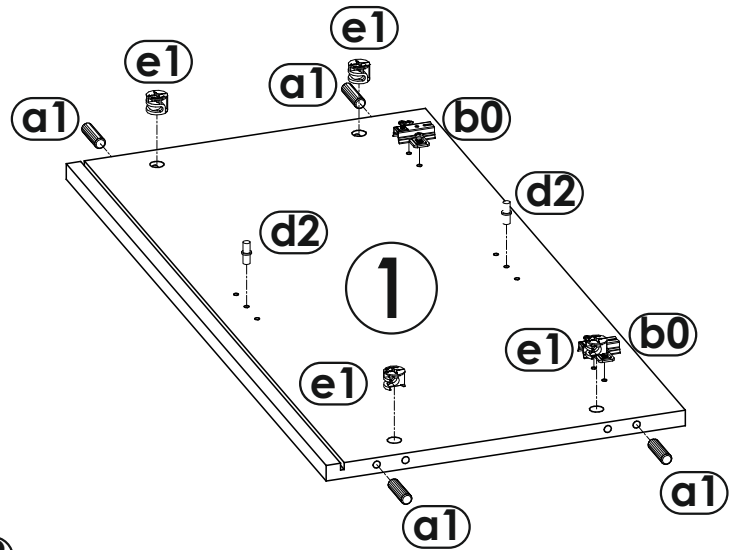
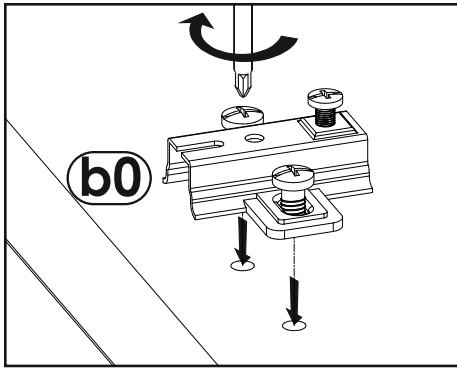
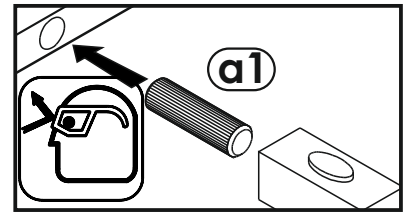
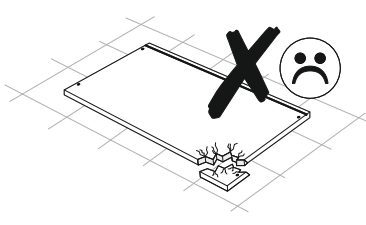
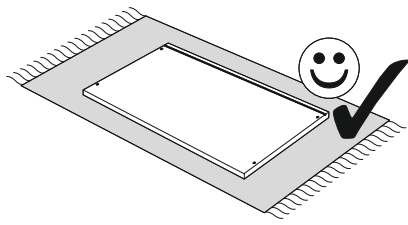
C1  C2  C3 

- | | | | | | | |
|--------|--------|--------|--------|--------|--------|--------|
| ① - C2 | ④ - C3 | ⑦ - C1 | ⑩ - C1 | ⑬ - C2 | ⑯ - C1 | ⑱ - C1 |
| ② - | ⑤ - C2 | ⑧ - C2 | ⑪ - C1 | ⑭ - C2 | ⑰ - C1 | ⑳ - C1 |
| ③ - C2 | ⑥ - C2 | ⑨ - C1 | ⑫ - C2 | ⑮ - C1 | ⑲ - C2 | |

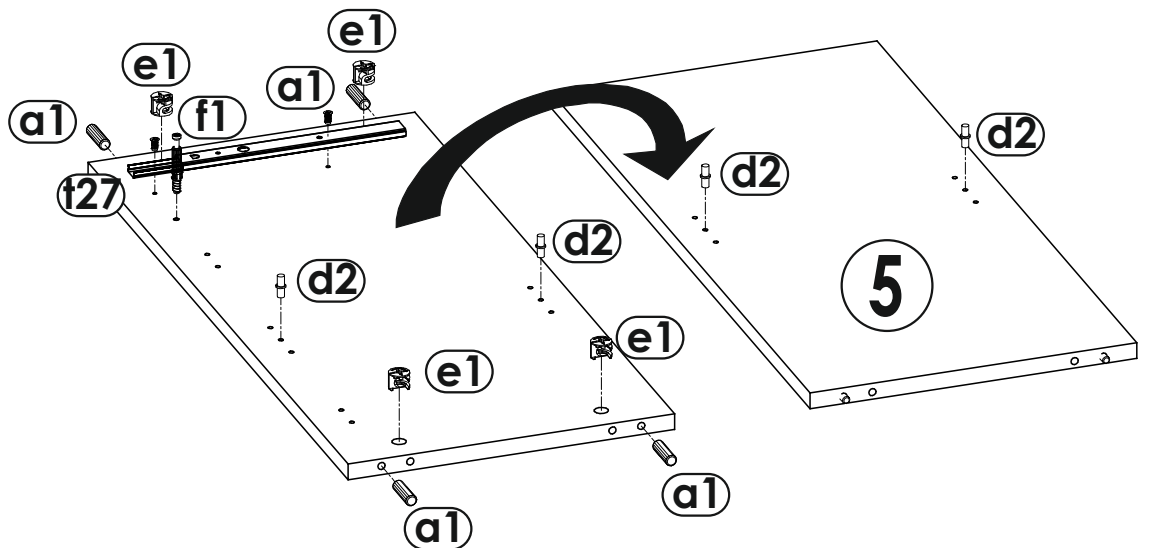
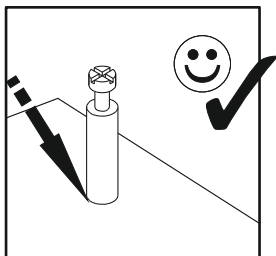
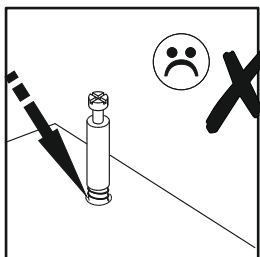
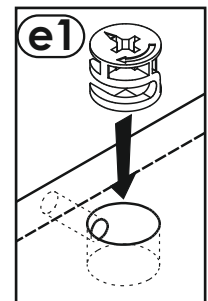
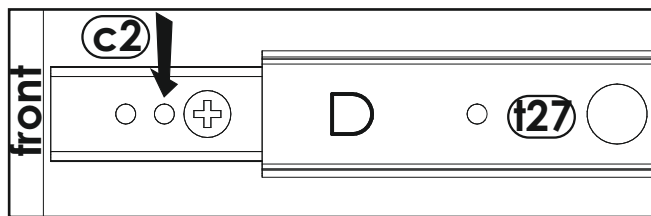
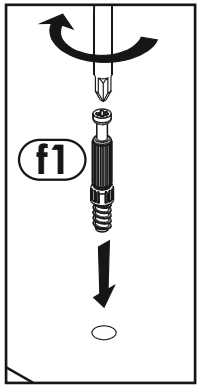
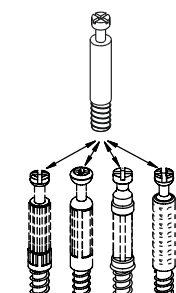
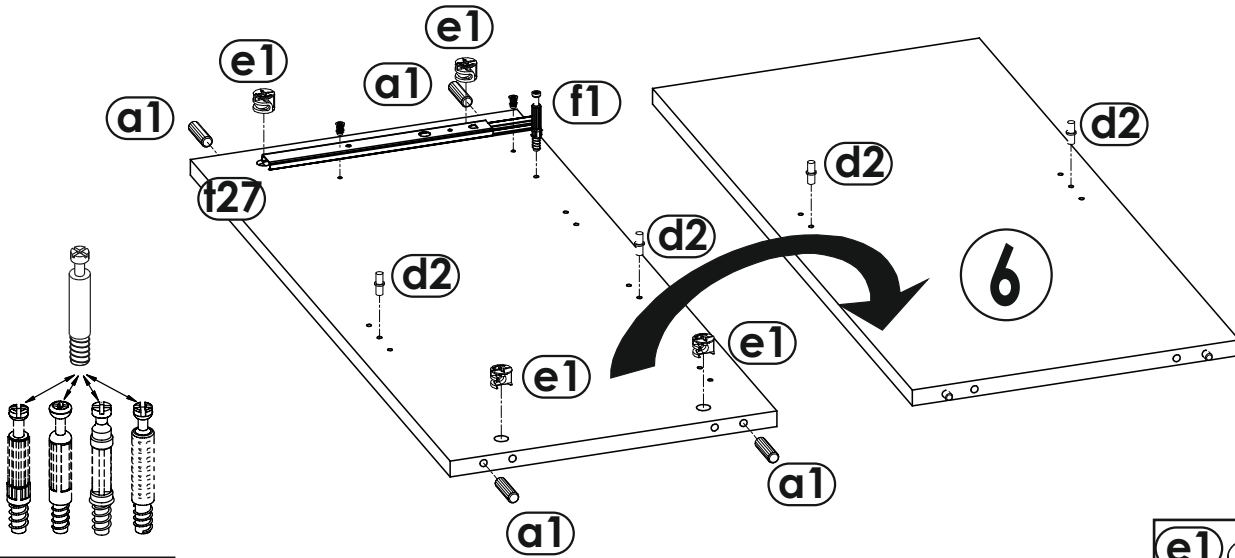
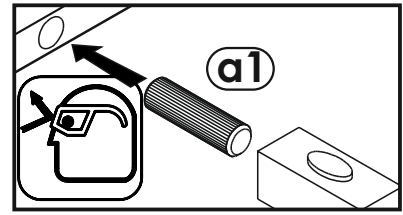
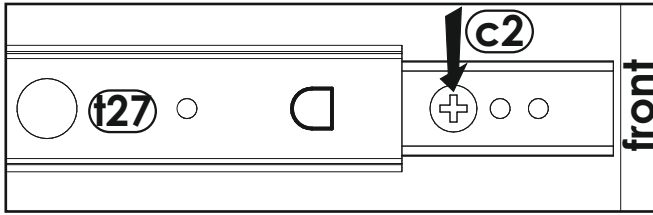
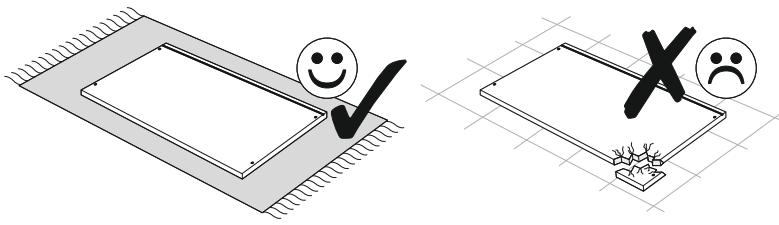
FONTANA FTK05



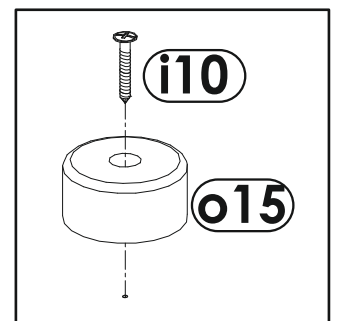
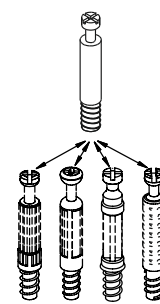
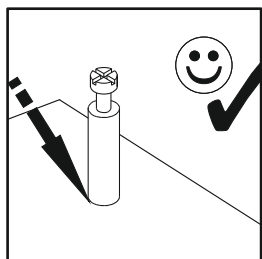
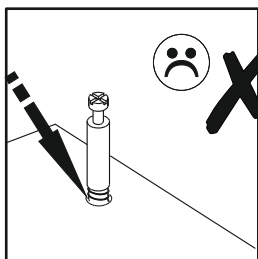
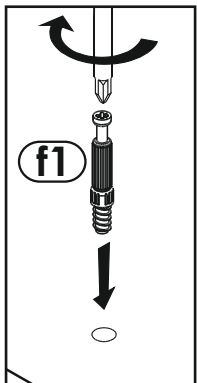
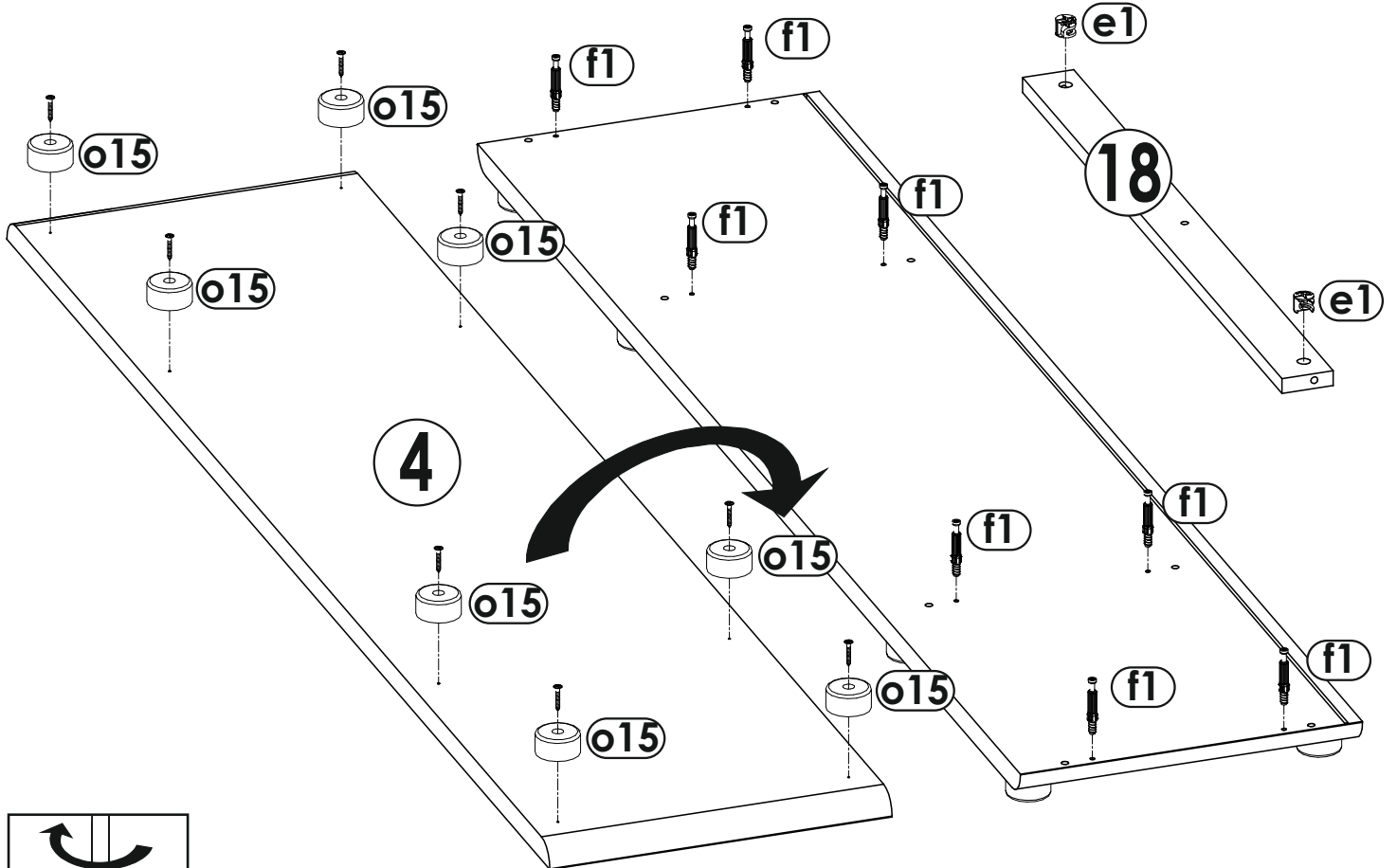
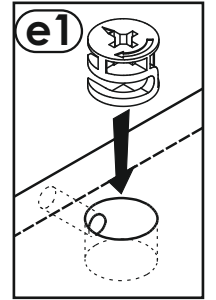
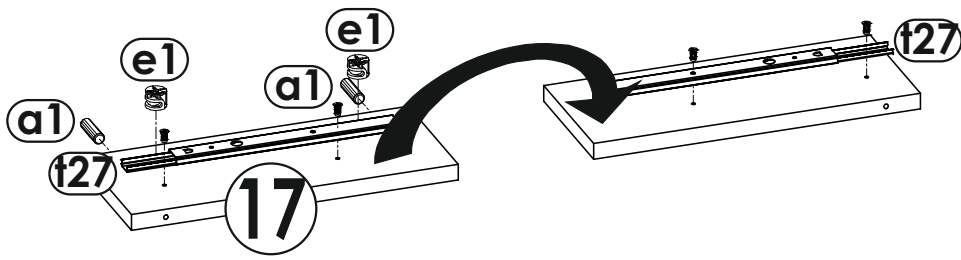
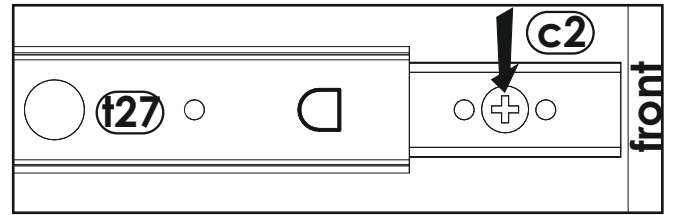
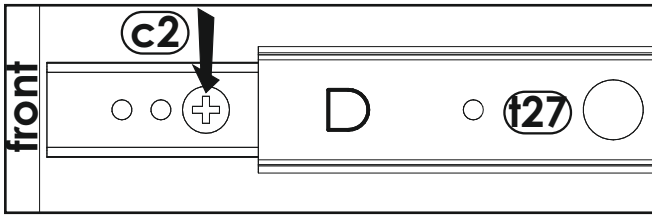
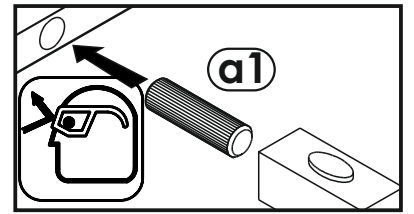
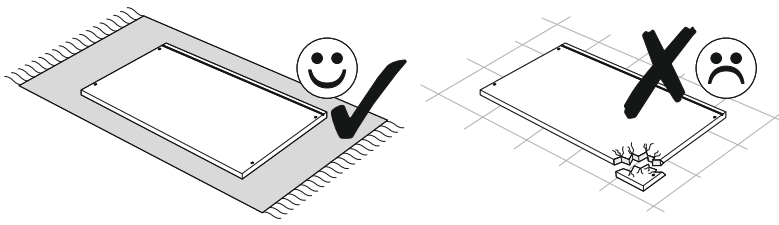
1



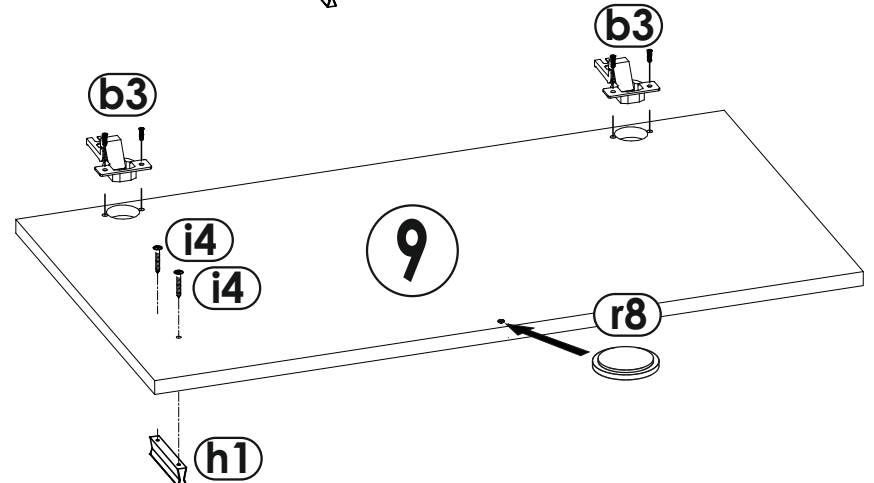
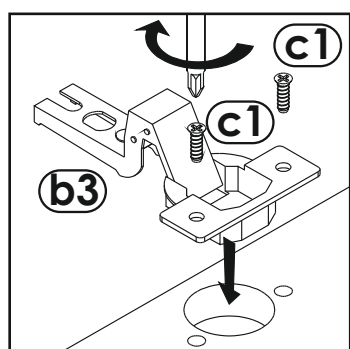
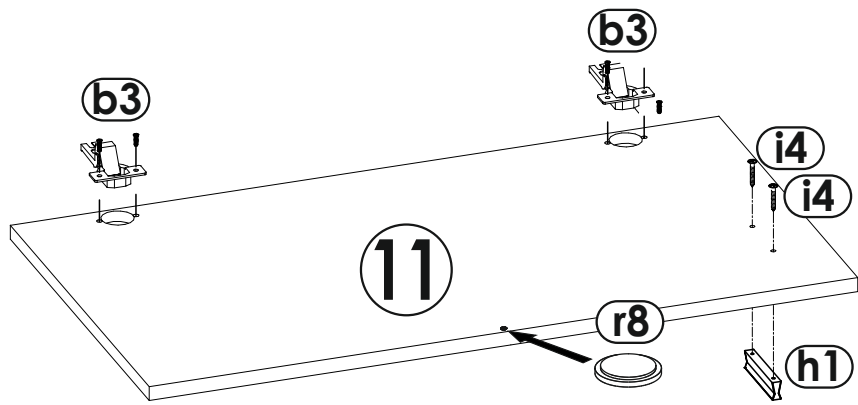
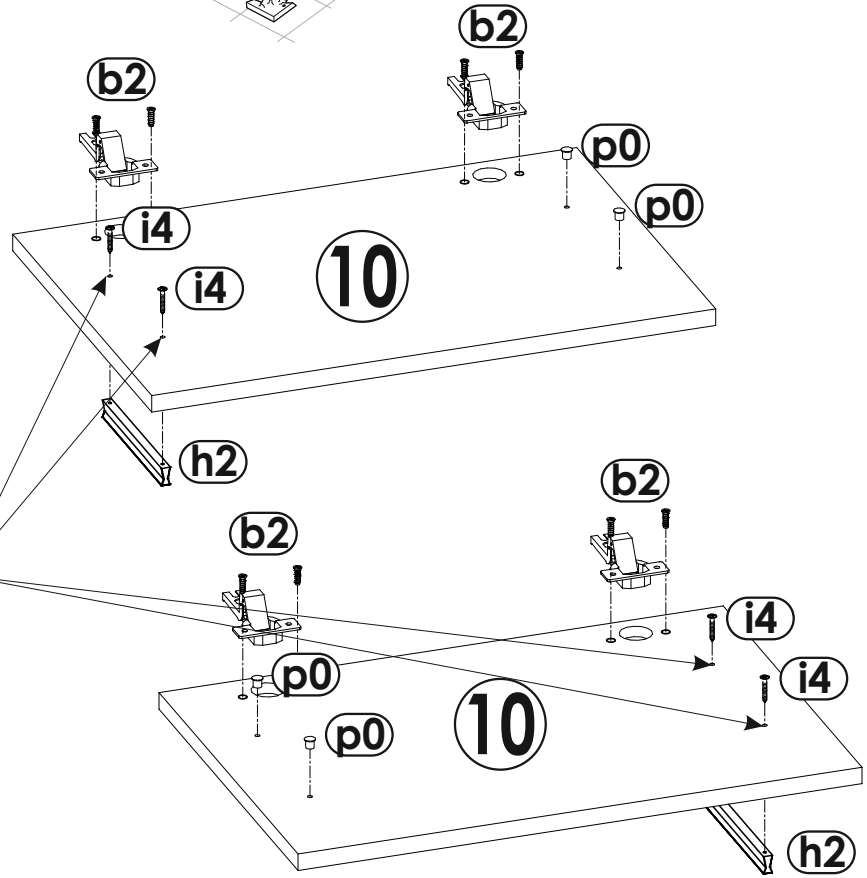
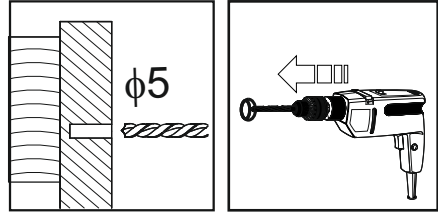
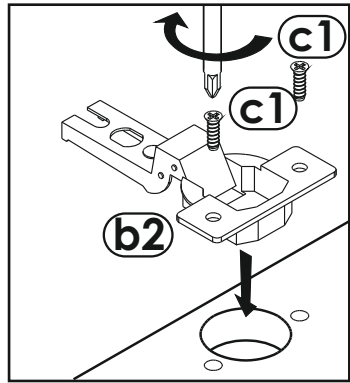
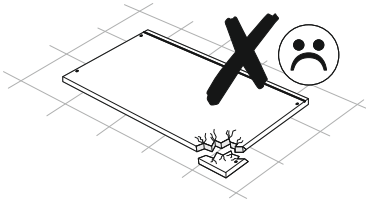
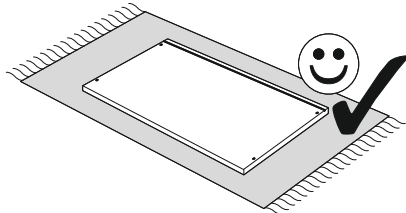
2

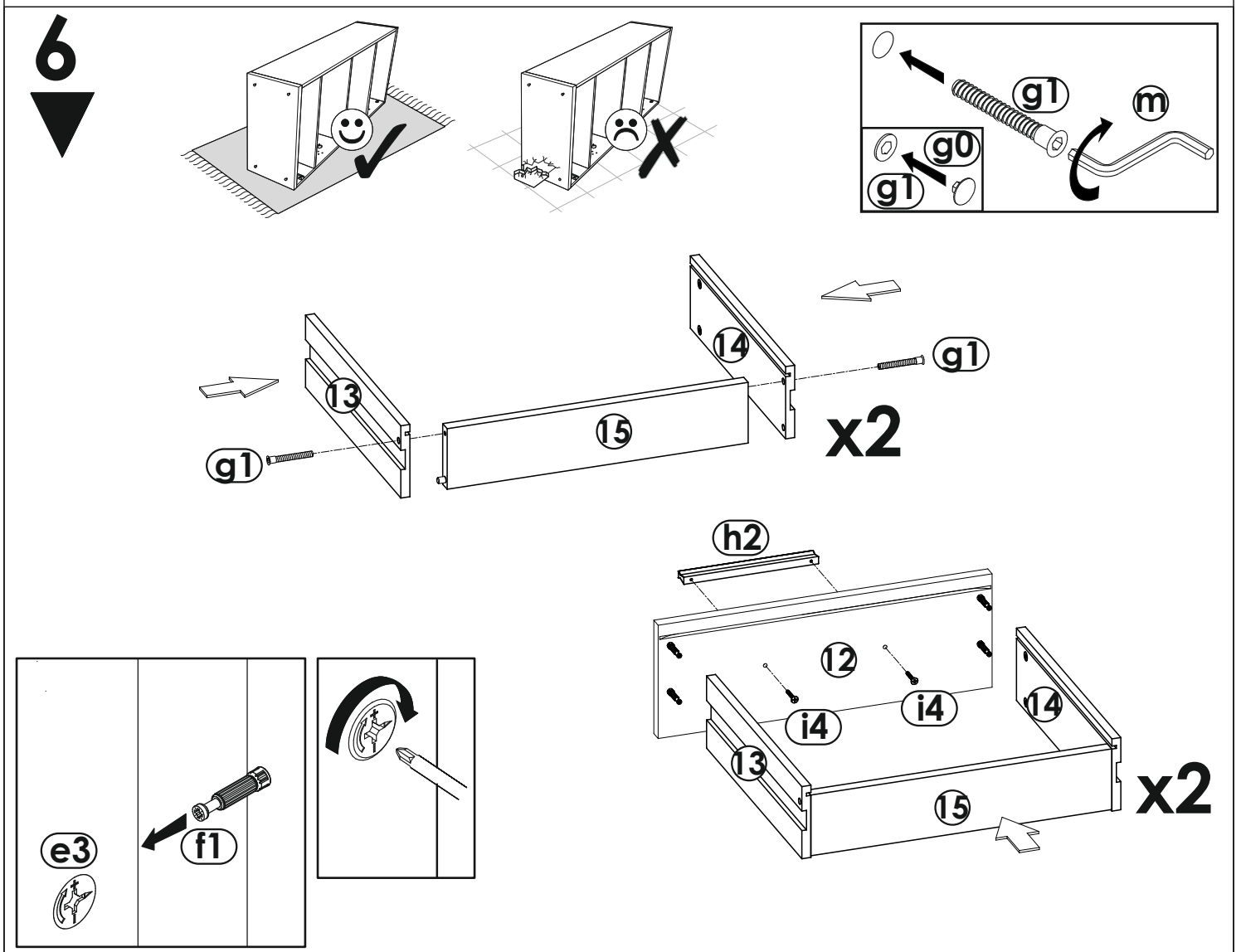
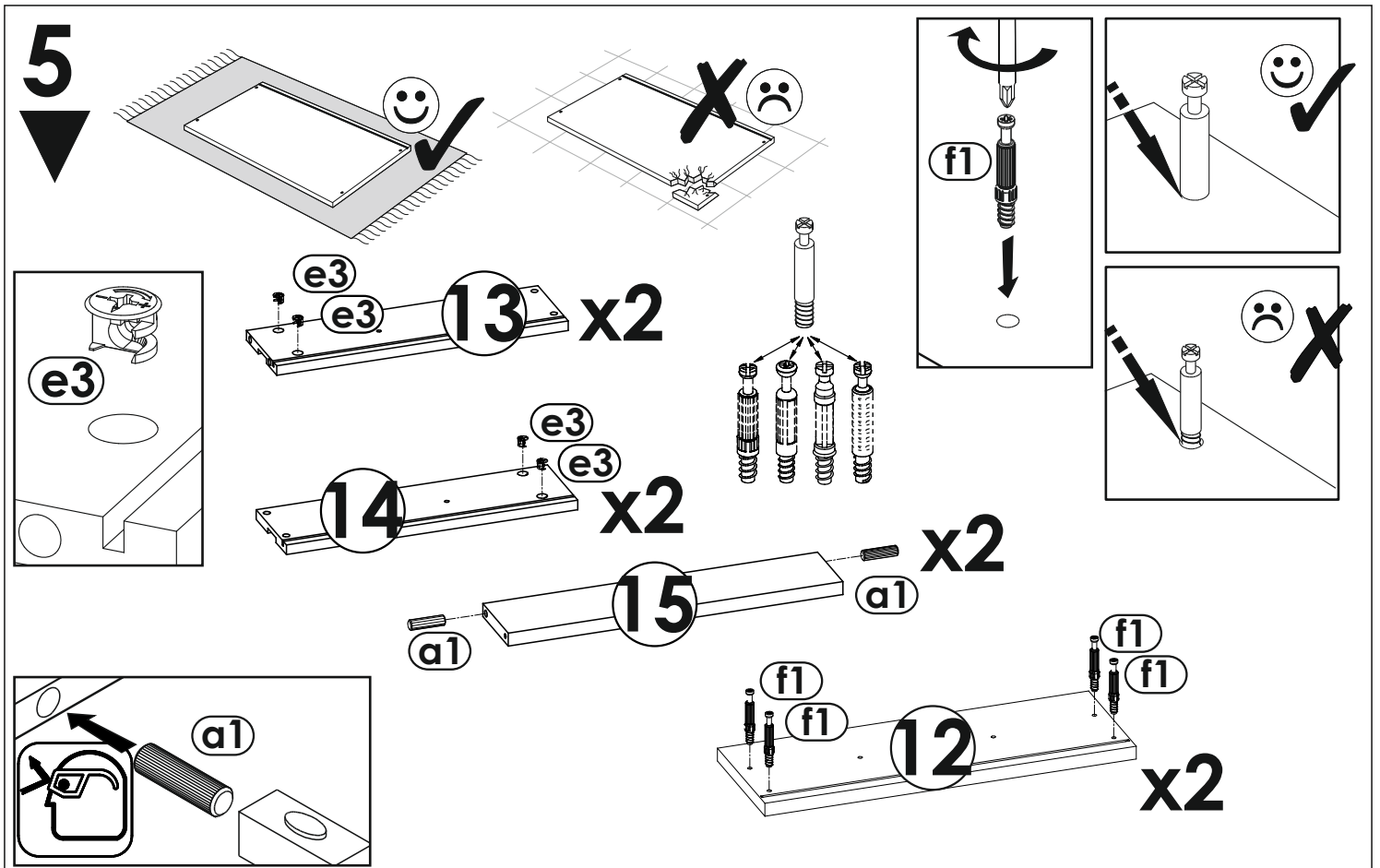


3

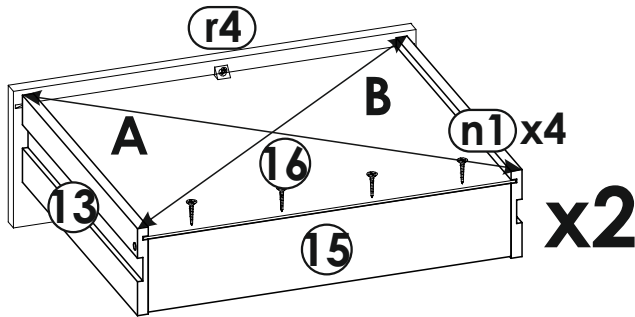
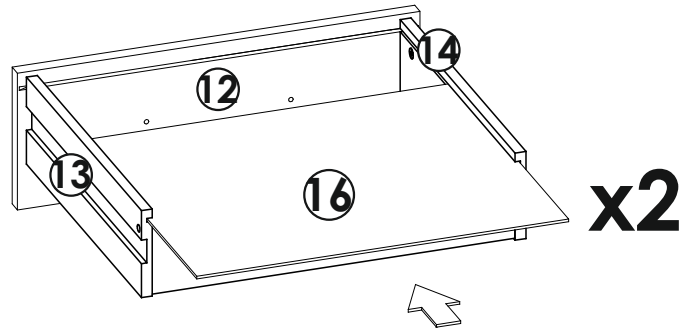
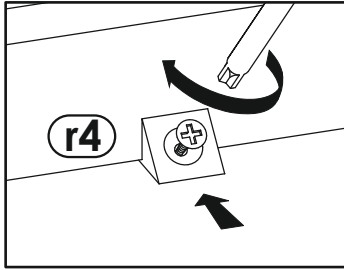
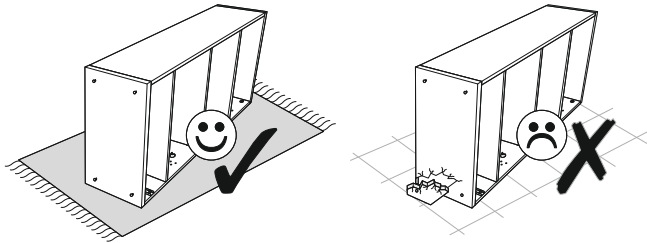


4
▼



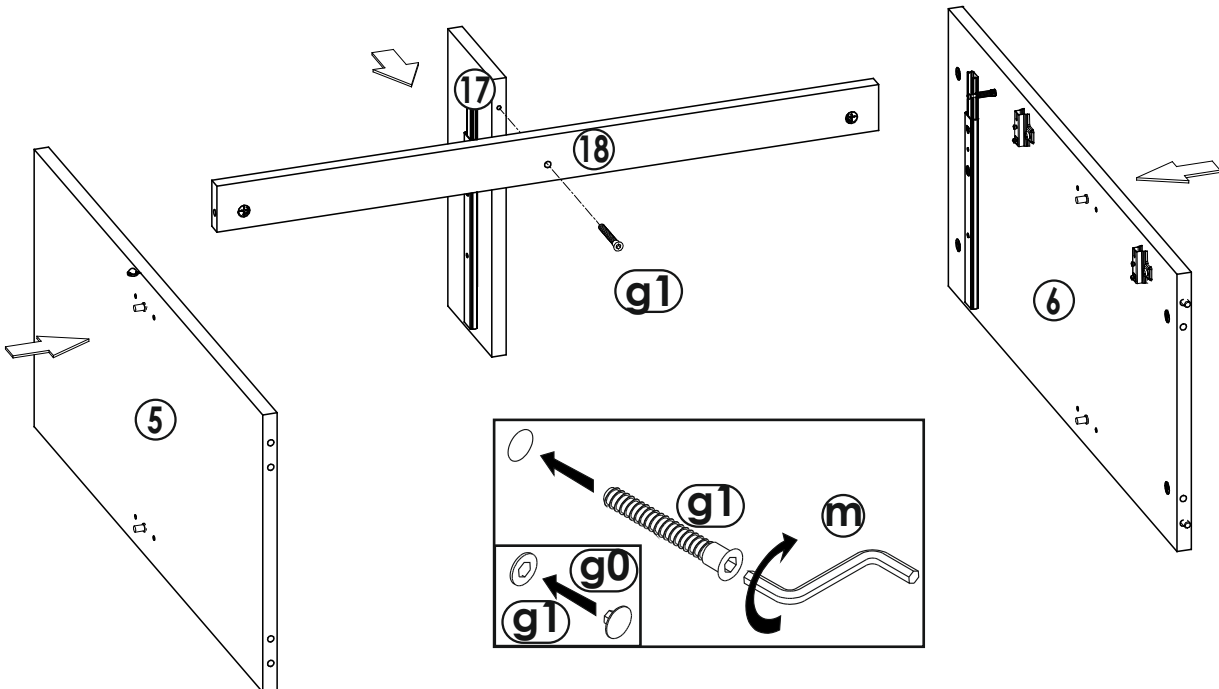
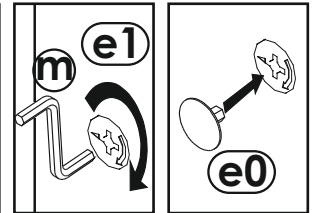
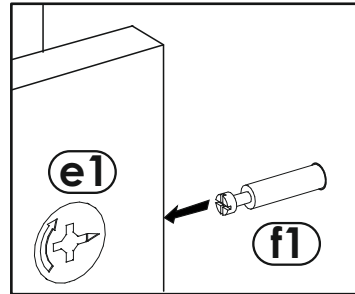
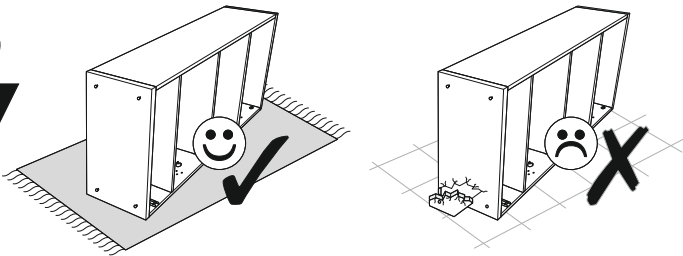


7

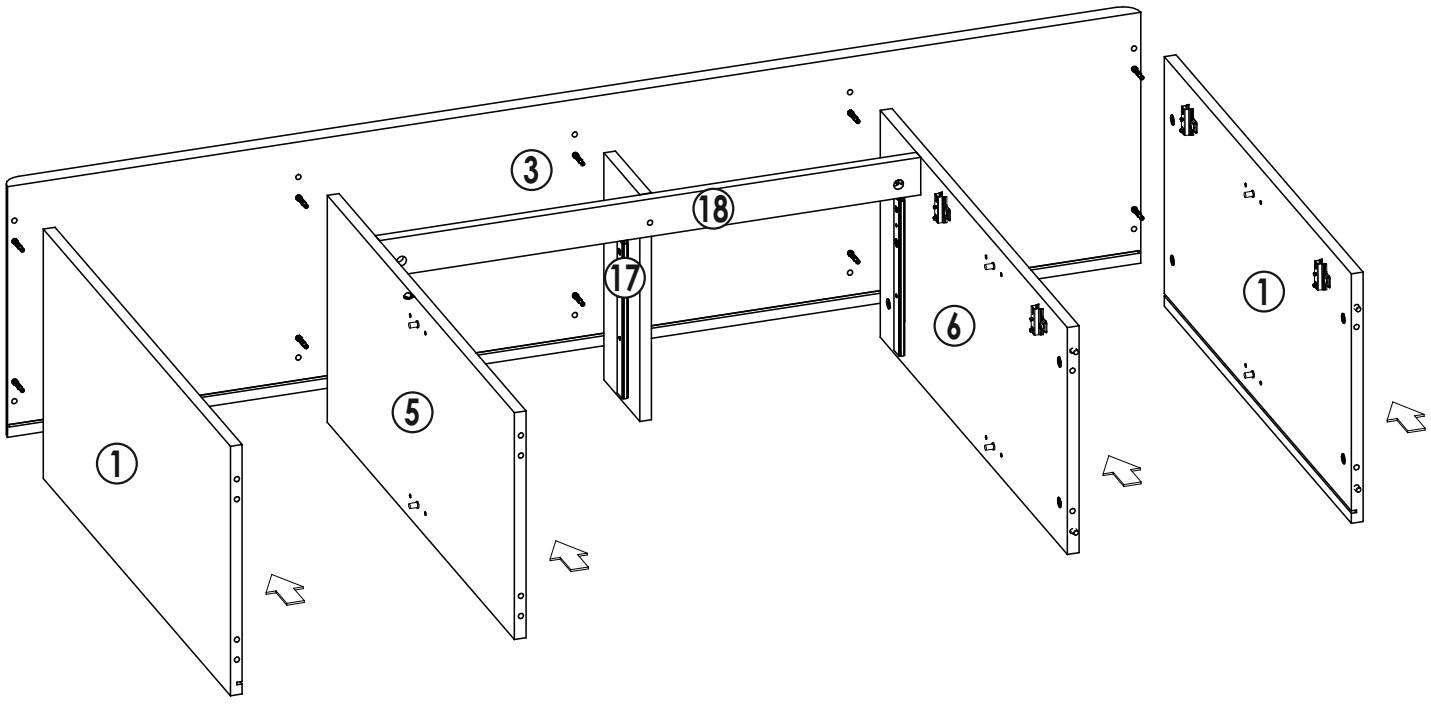
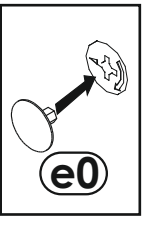
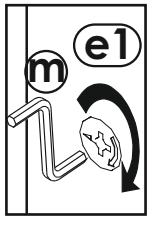
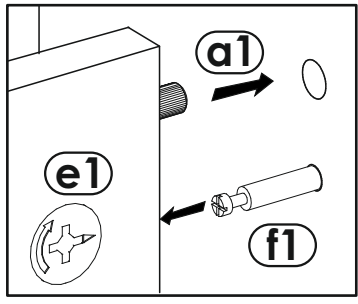
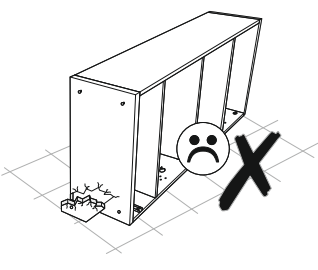
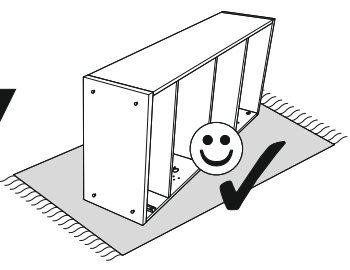


A=B

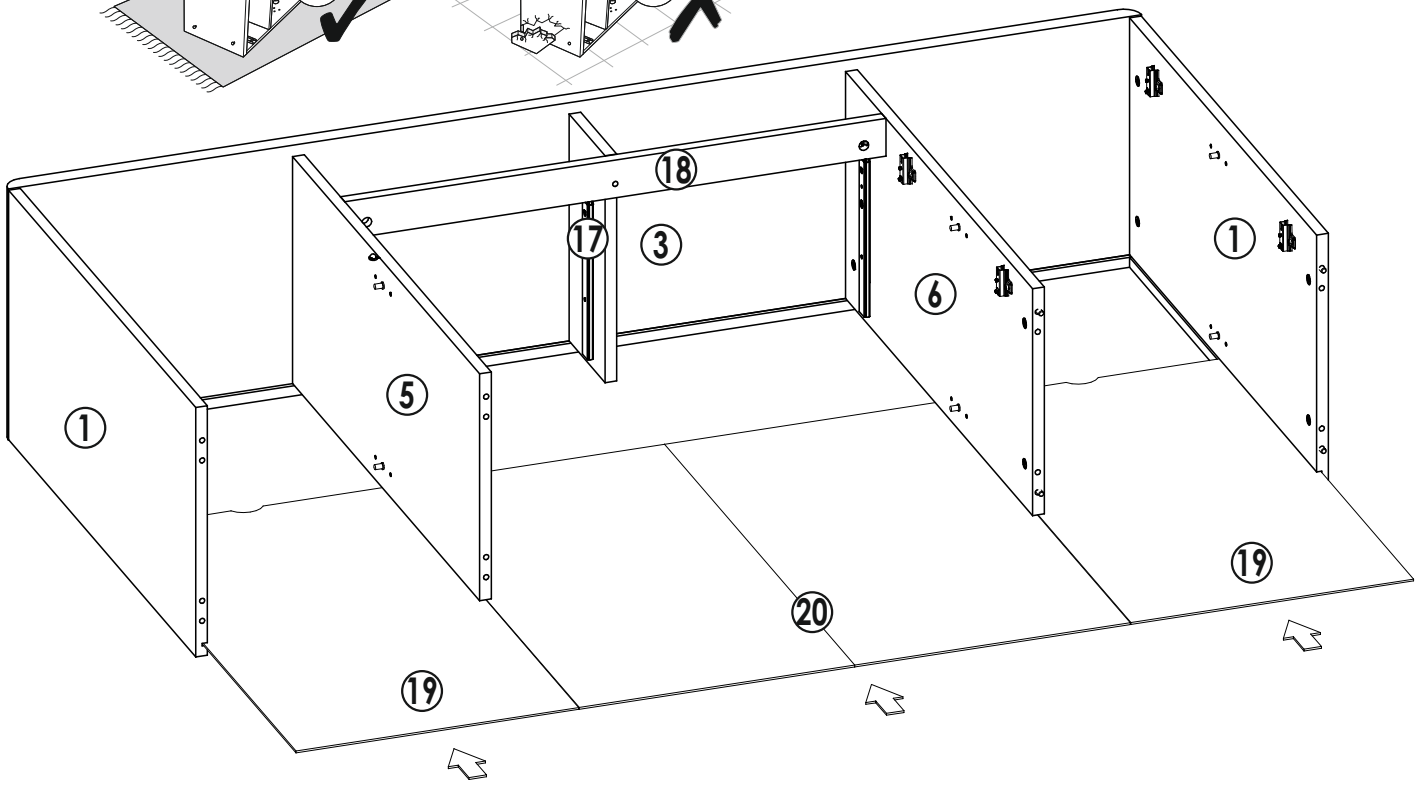
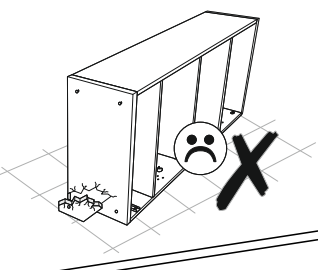
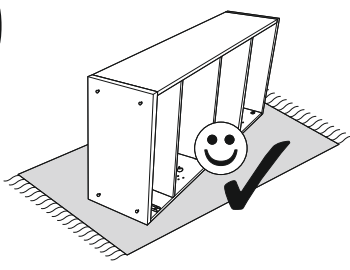
8



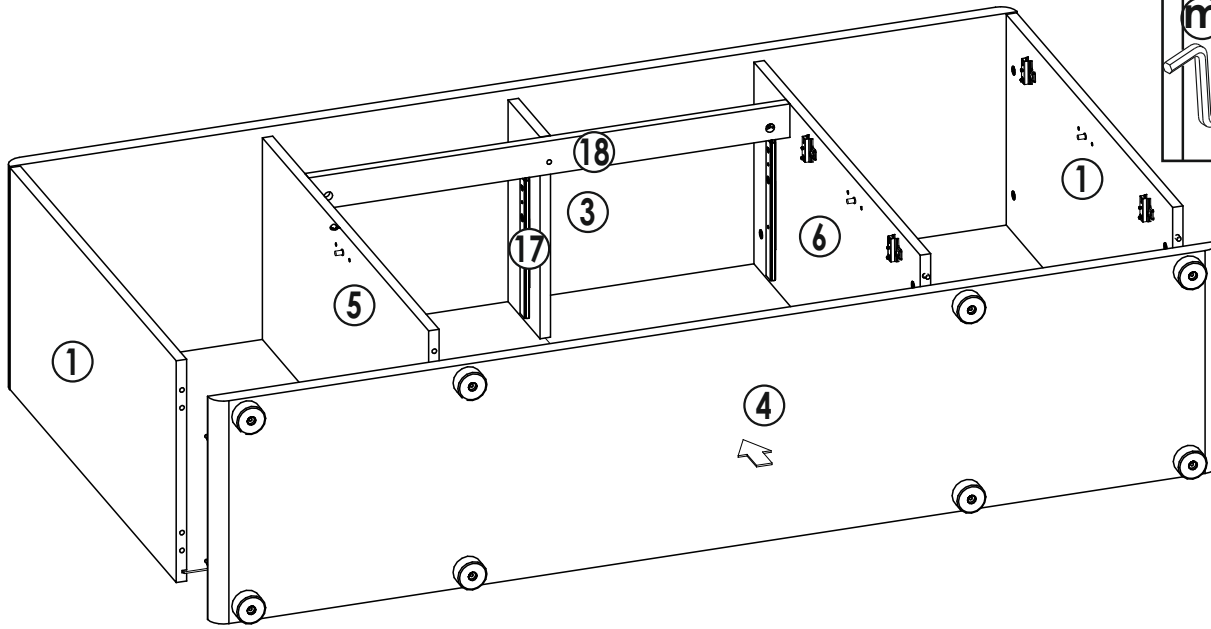
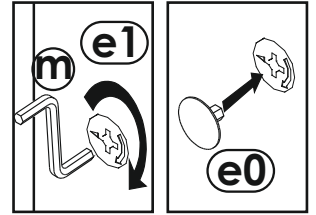
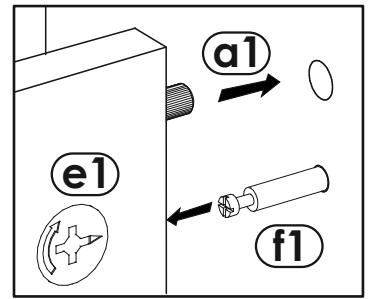
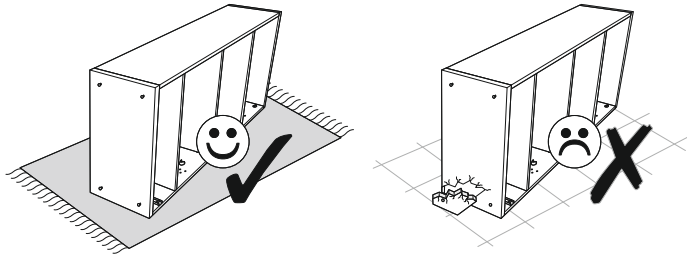
9



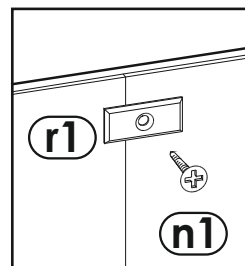
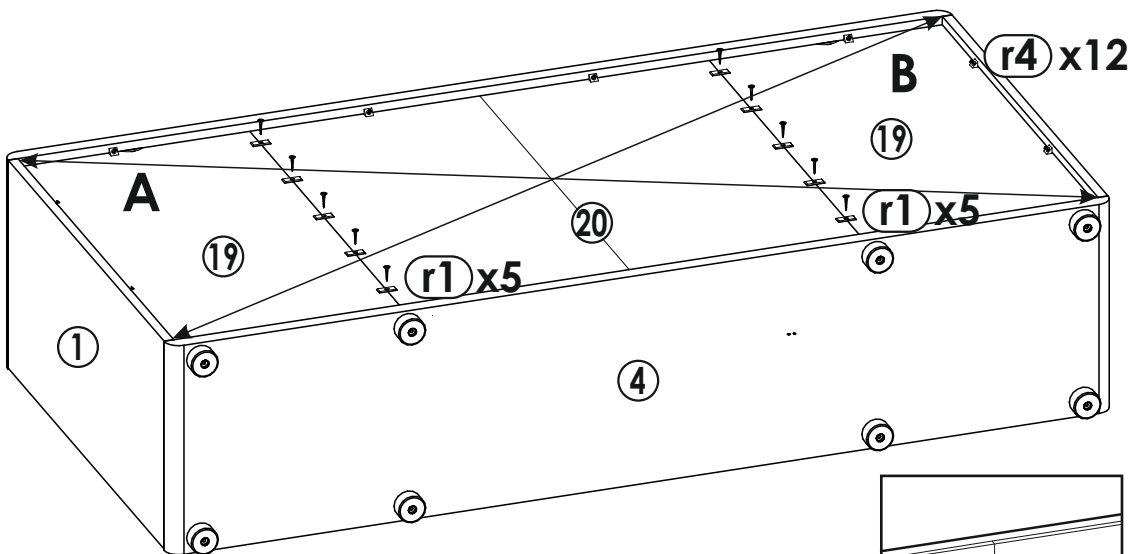
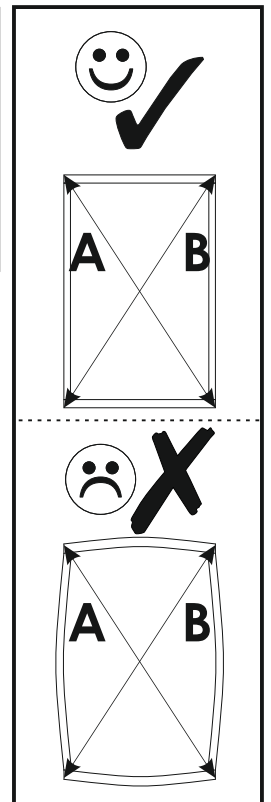
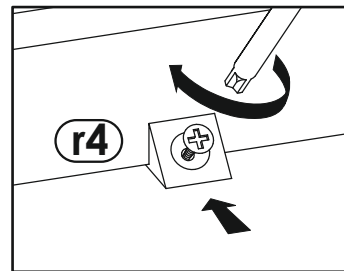
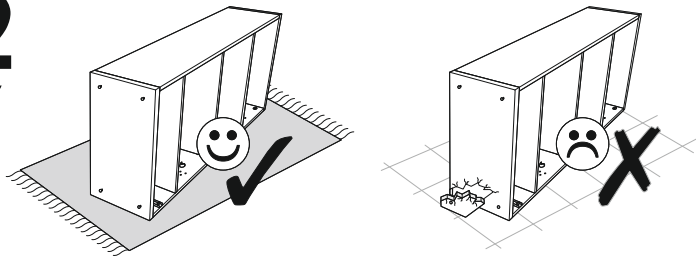
10



11

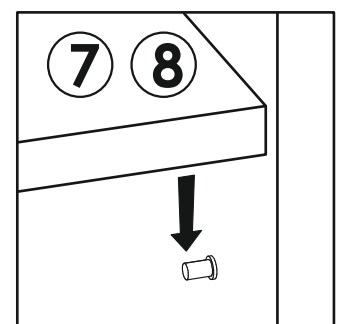
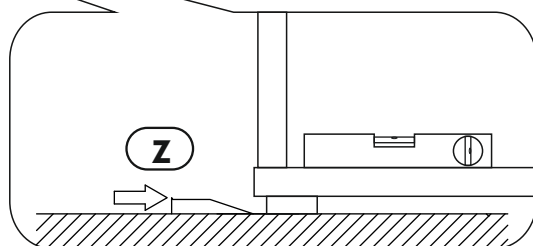
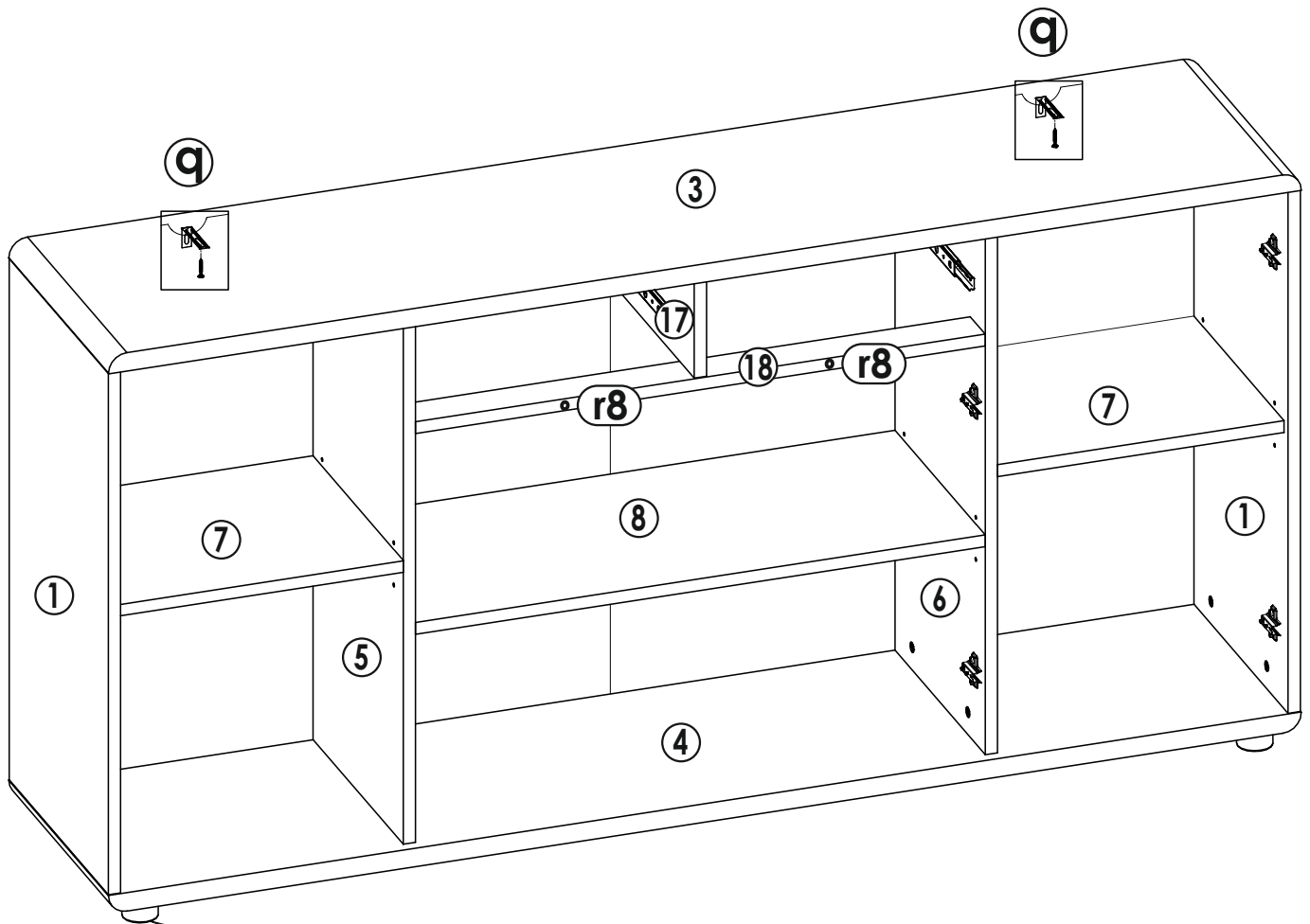
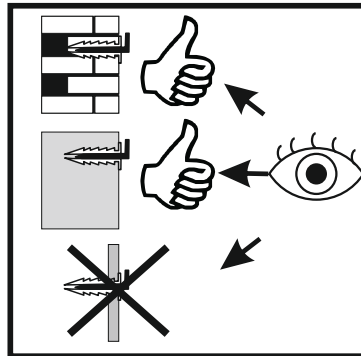
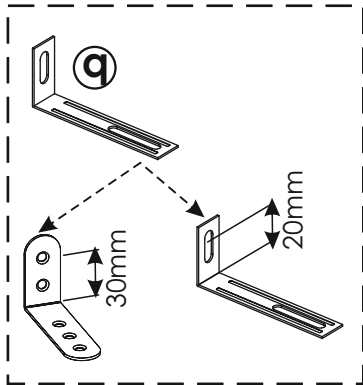
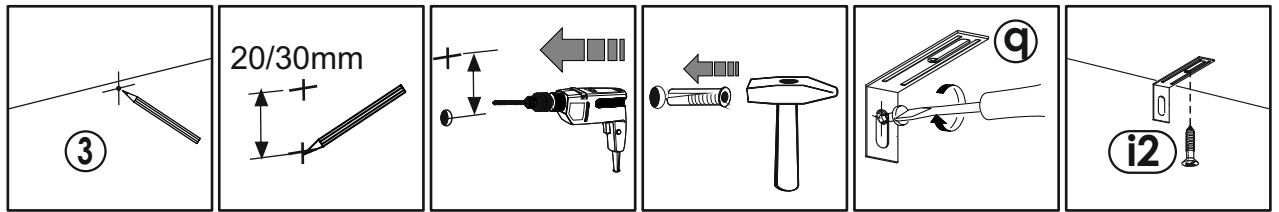


12



A=B

13



14

