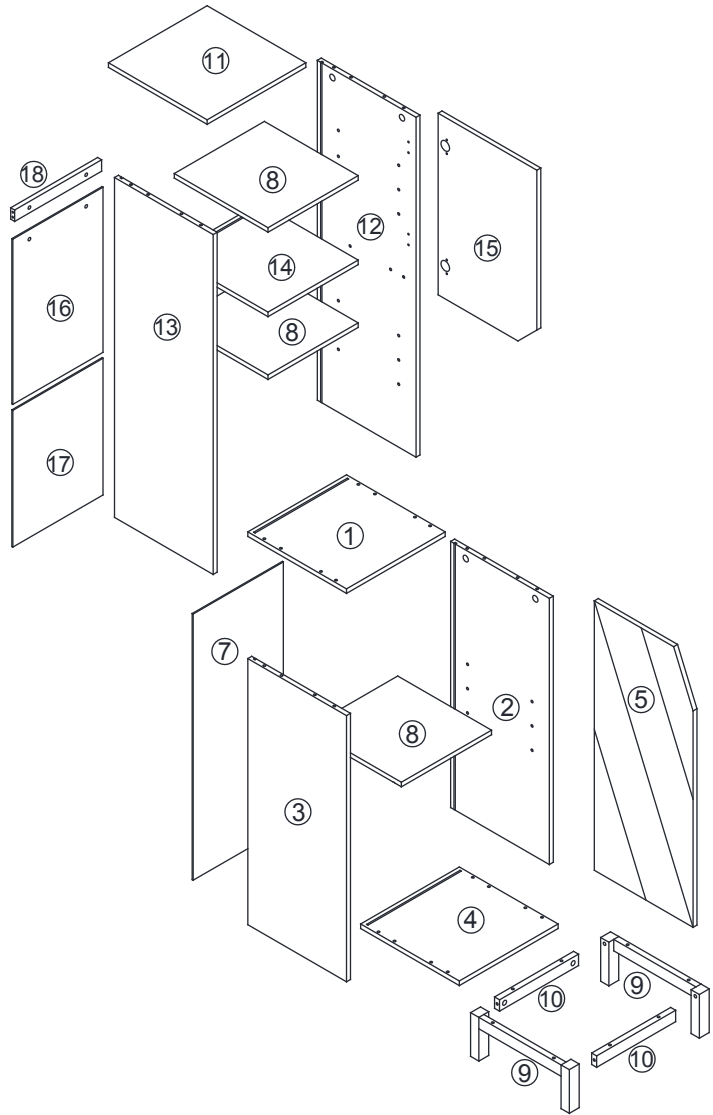
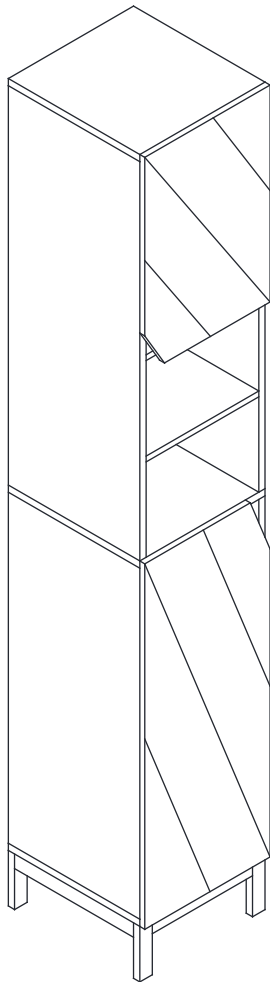
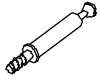


03350025/01



Hardware:



(A) Cam lock: 16pcs



(B) Cam bolt: 16pcs



(C) Screw: 16pcs



(D) Wooden Dowel: 24pcs



(E) Hinge: 4pcs



(F) Screw: 16pcs



(G) Shelf Support: 12pcs



(H) Shelf Support: 2pcs



(I) Shelf Support: 2pcs



(J) Shelf Support: 8pcs



(K) Shelf Support: 4pcs

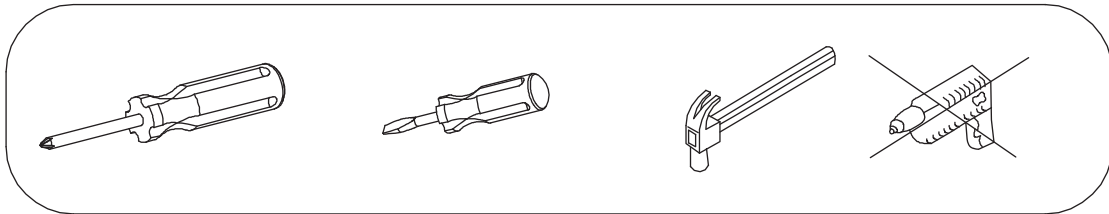


(L) Shelf Support: 12pcs

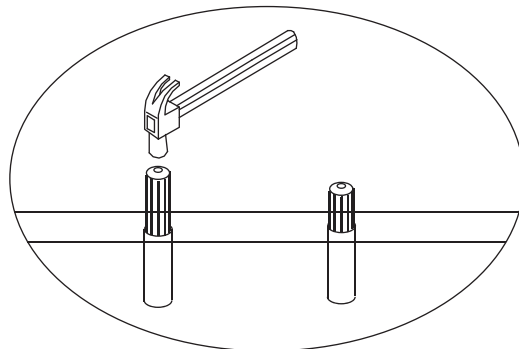
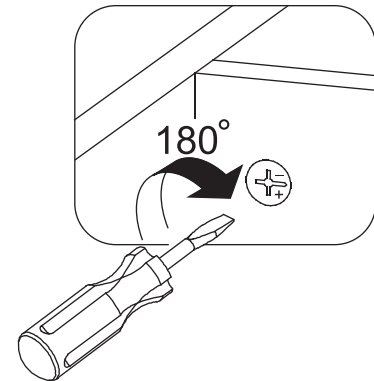
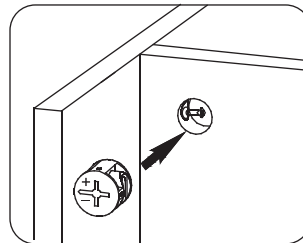
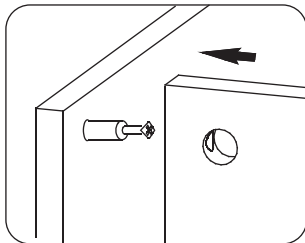


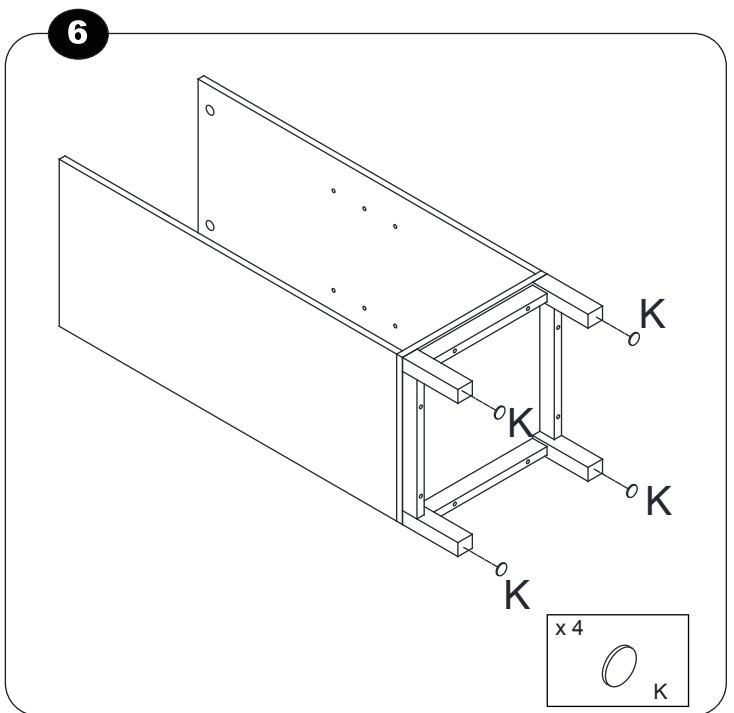
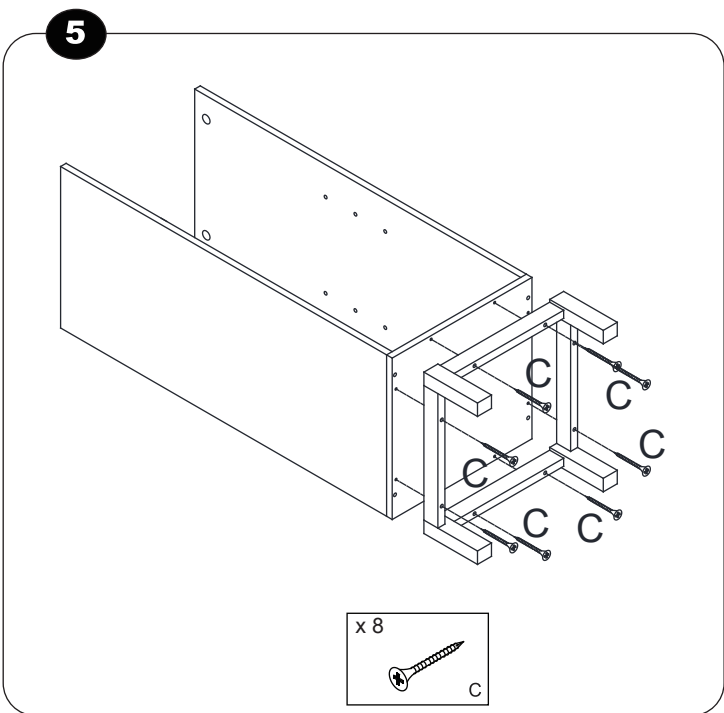
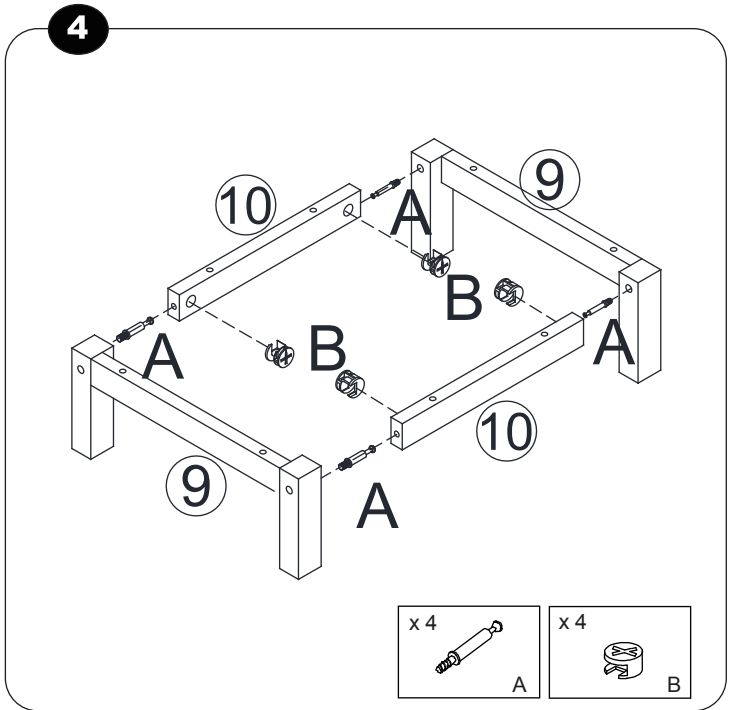
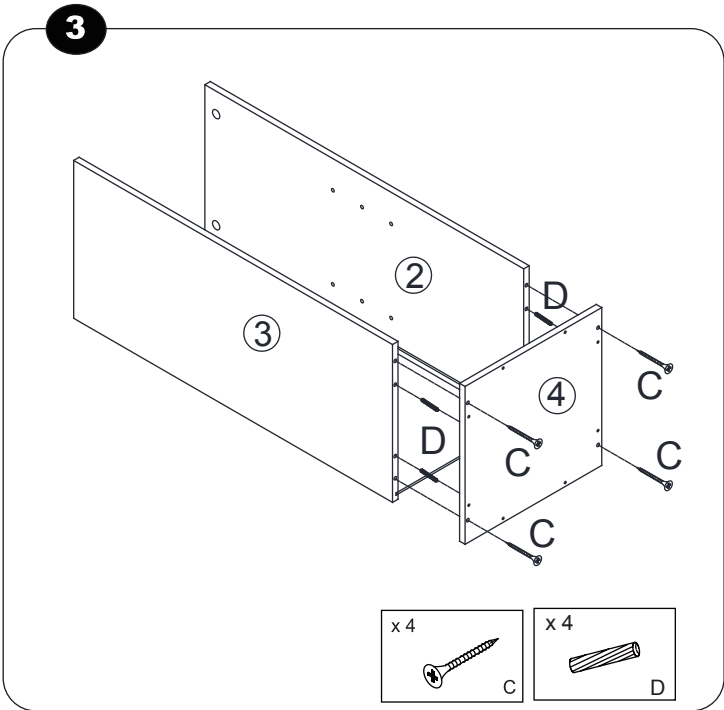
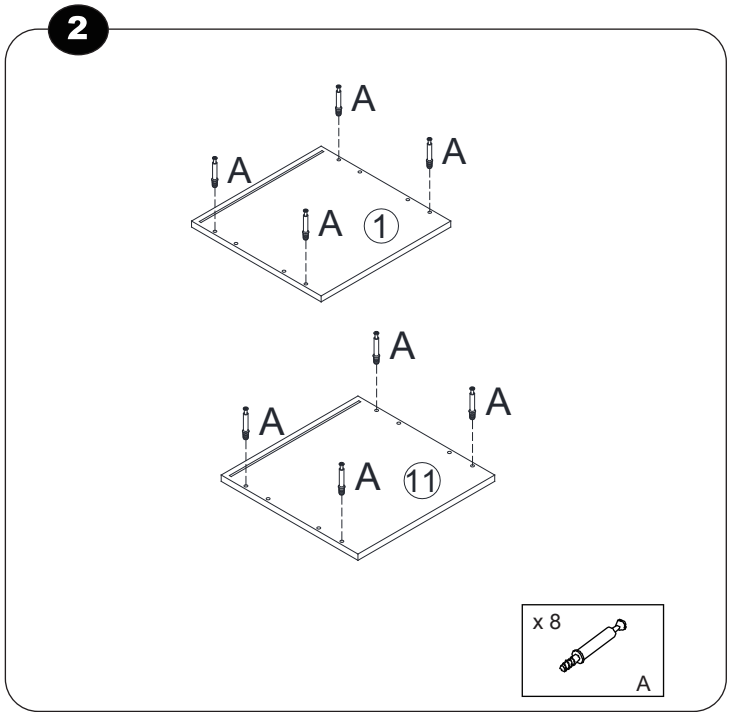
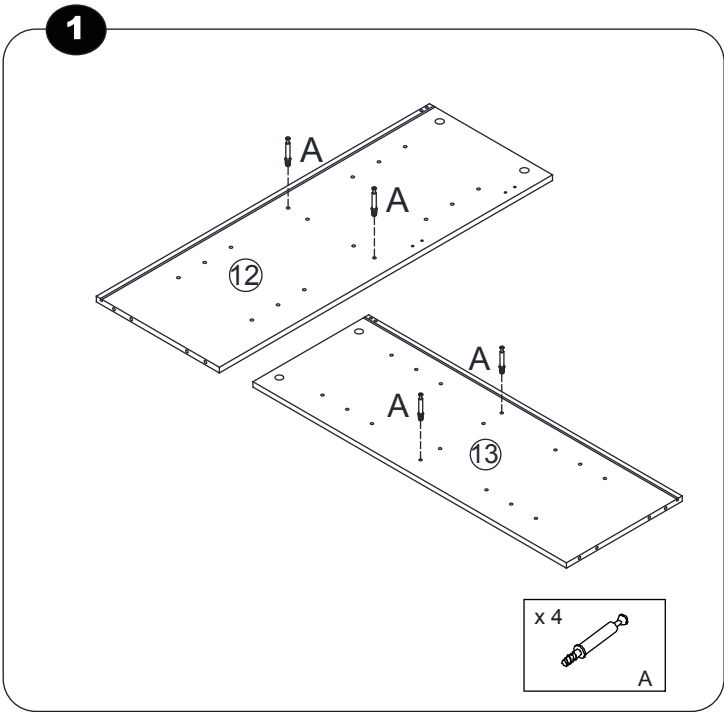
(M) Shelf Support: 12pcs

Assembly auxiliary tools:

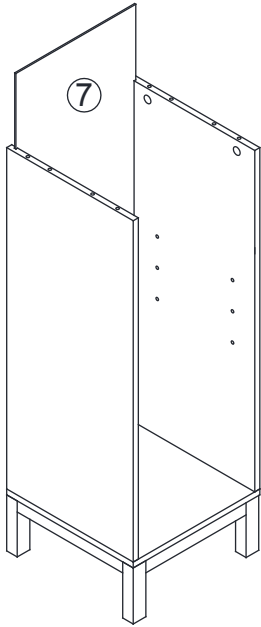


Qucikfit:

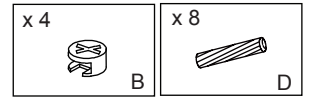
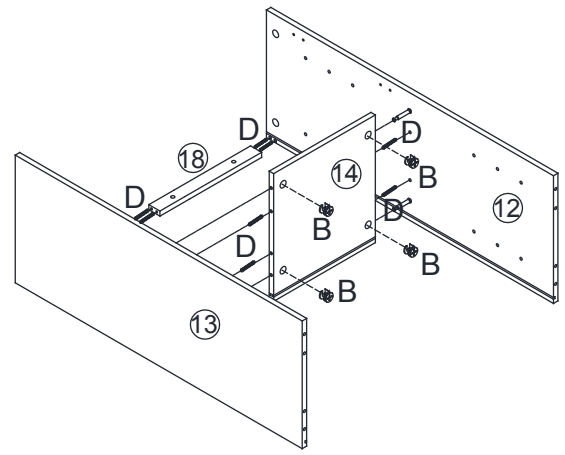




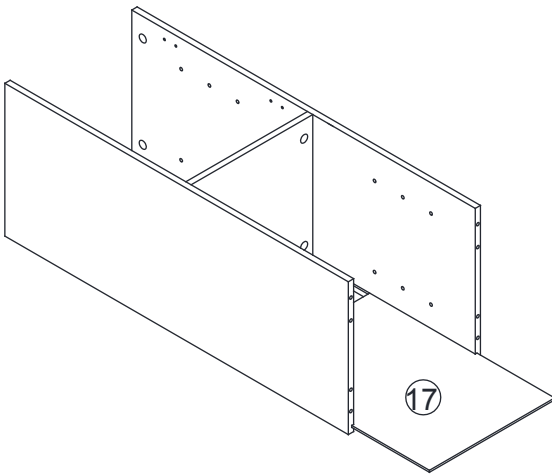
7



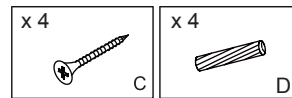
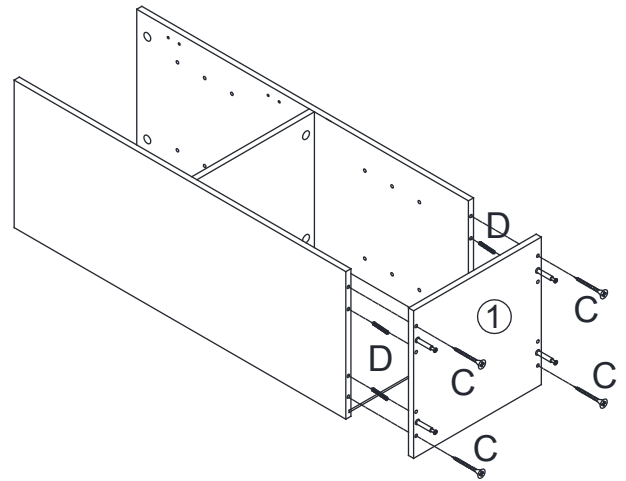
8



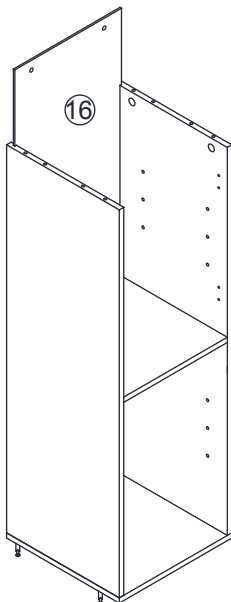
9



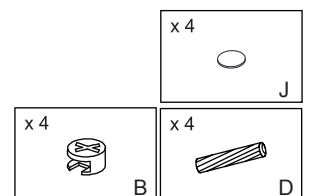
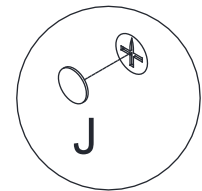
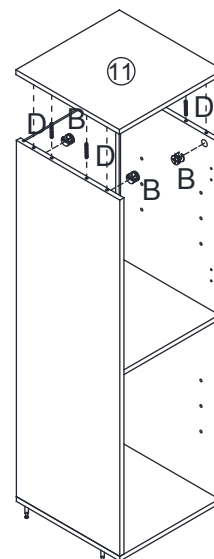
10



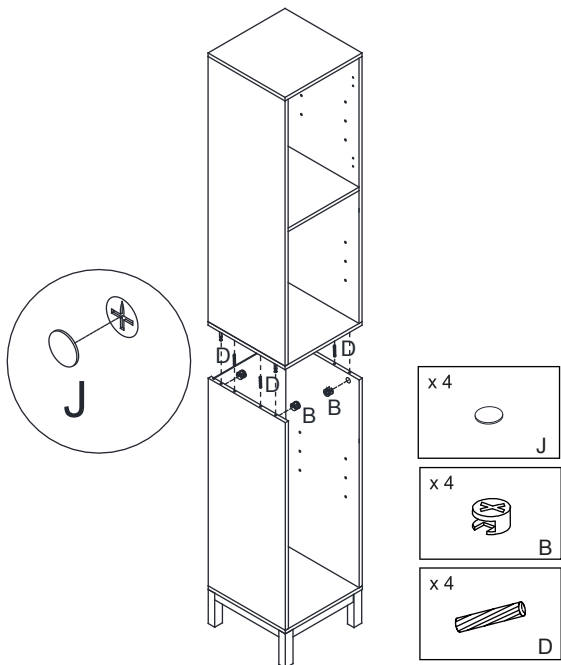
11



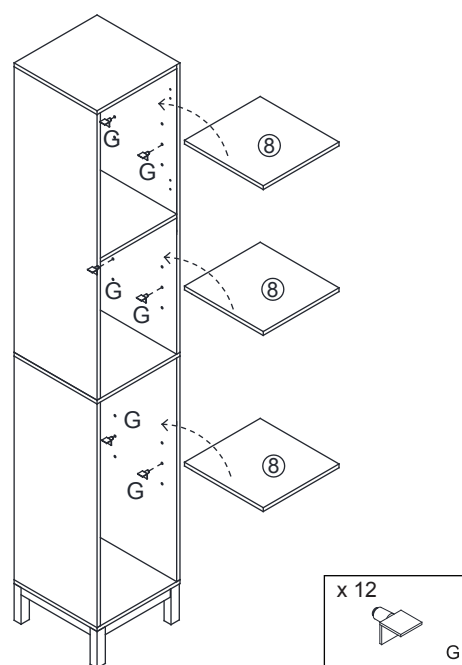
12



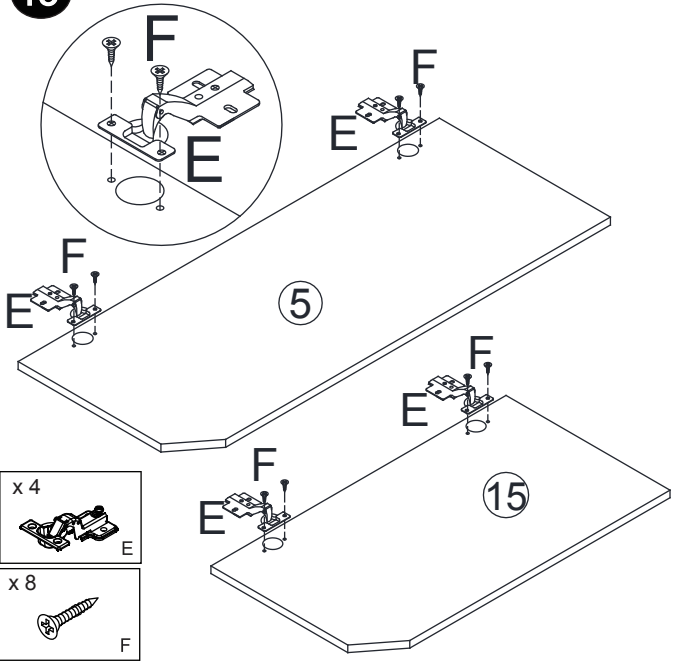
13



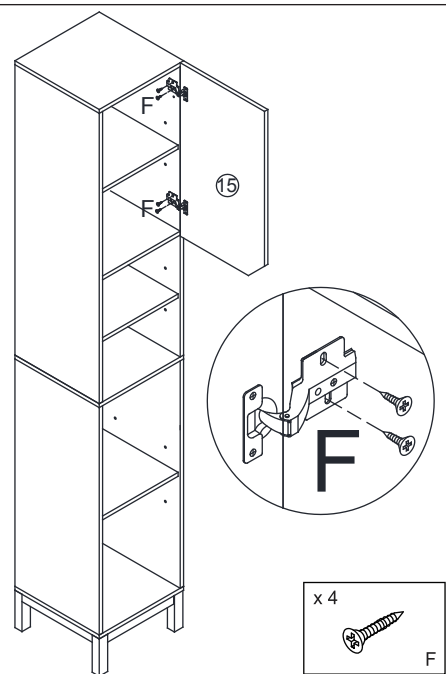
14



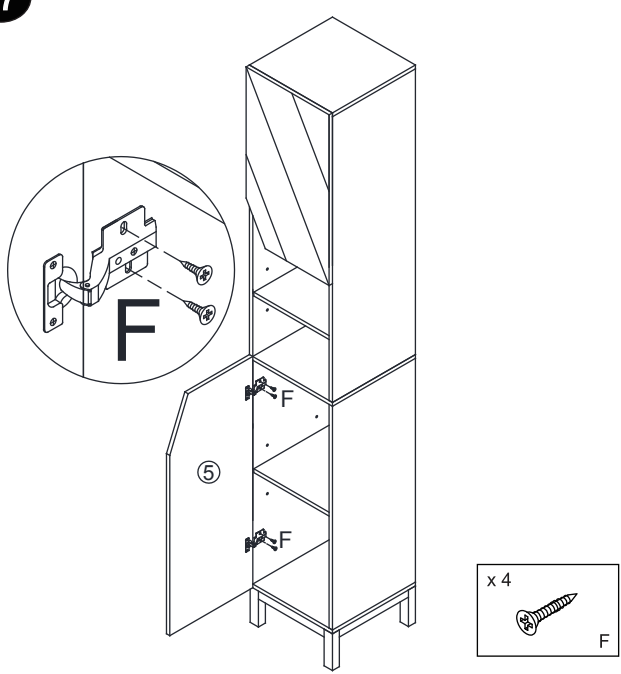
15



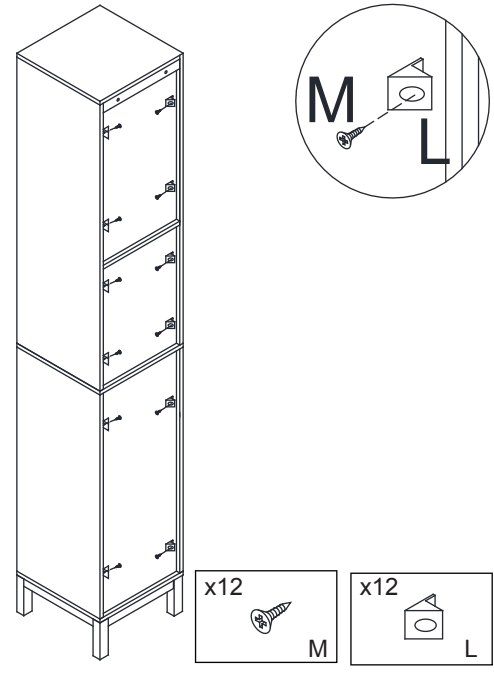
16



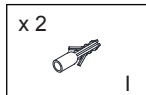
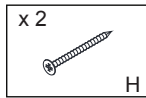
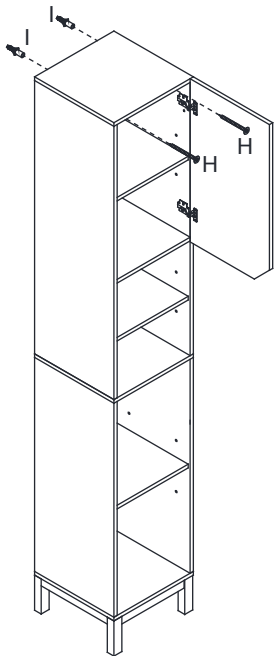
17



18



19



20

