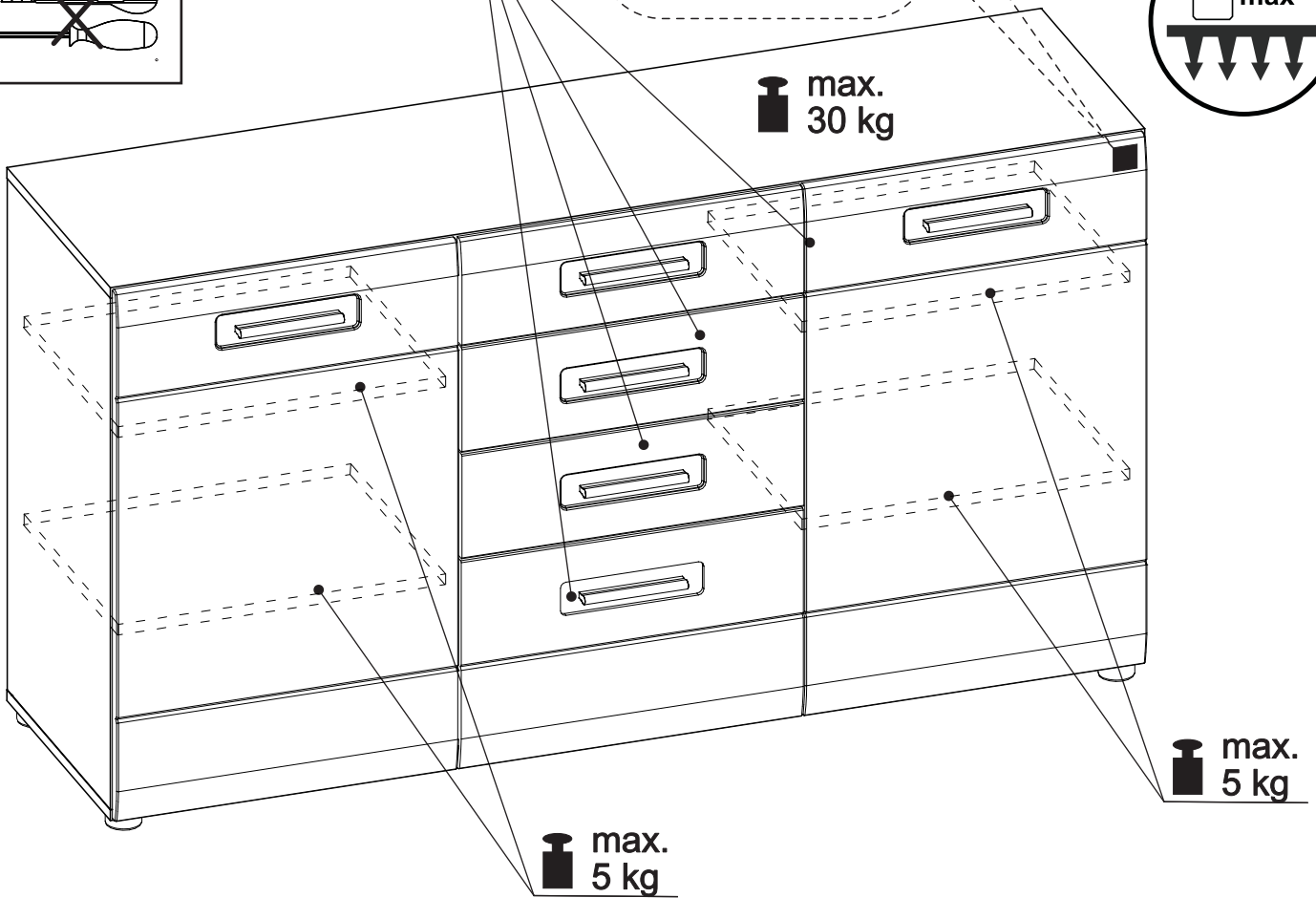
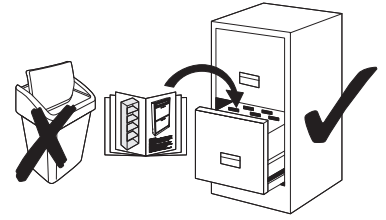
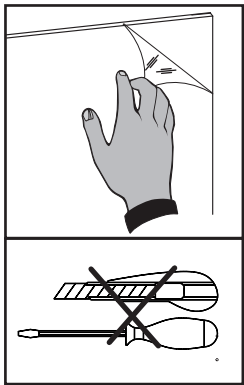
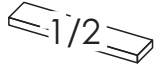
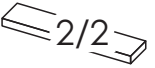


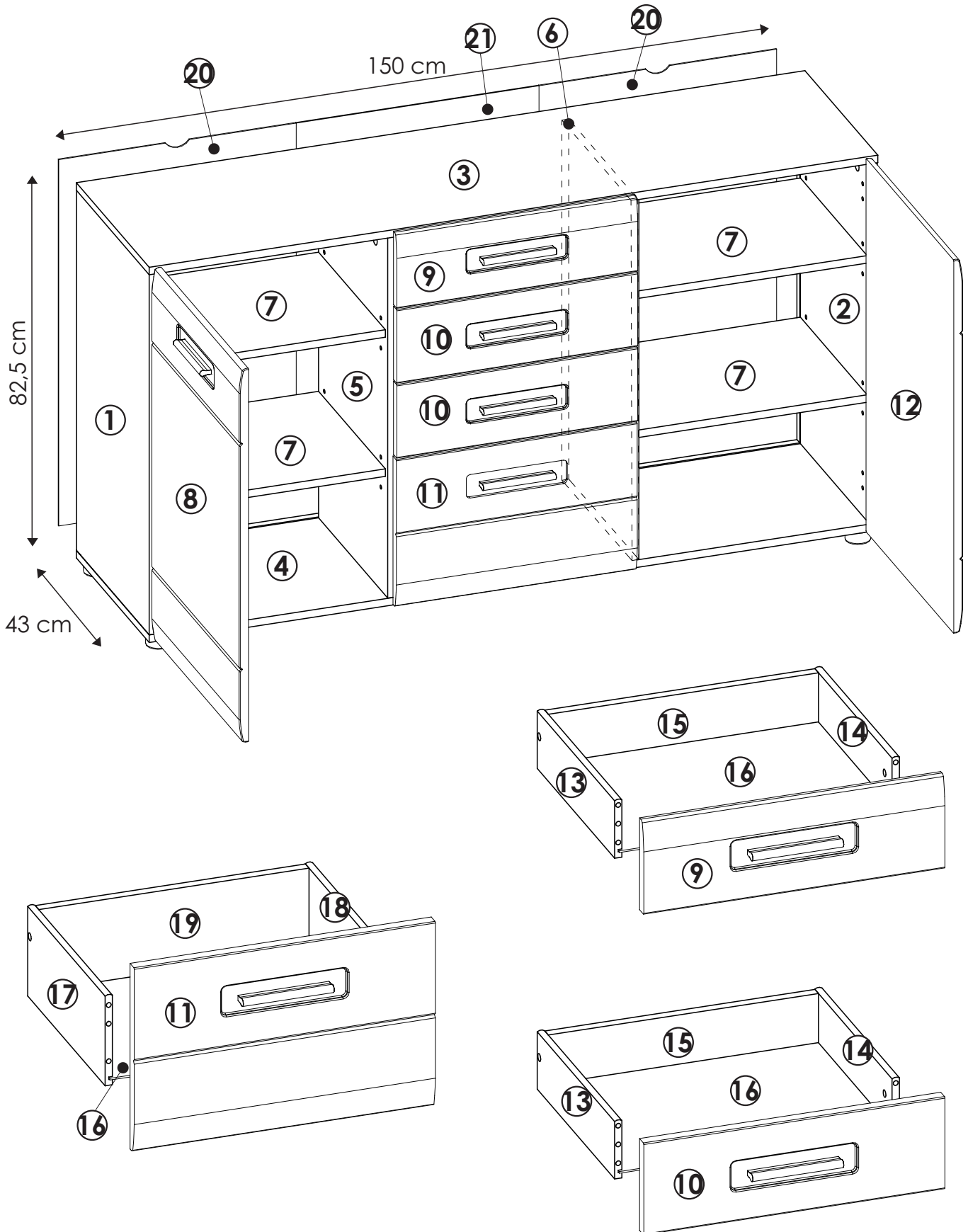
AVENSIS 17



- | | | | | |
|--------|-----------|--------|--------|--|
| ① - C1 | ⑥ - C2 | ⑪ - C2 | ⑯ - C1 | ⑳ - C2 |
| ② - C1 | ⑦ - C1,C2 | ⑫ - C2 | ⑰ - C1 | |
| ③ - C1 | ⑧ - C2 | ⑬ - C1 | ⑱ - C1 | C1  1/2 |
| ④ - C1 | ⑨ - C2 | ⑭ - C1 | ⑲ - C1 | C2  2/2 |
| ⑤ - C2 | ⑩ - C2 | ⑮ - C1 | ⑸ - C2 | |

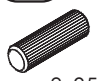
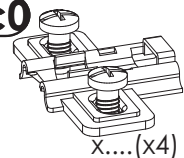
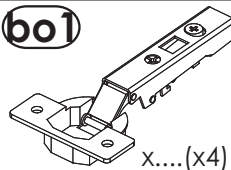


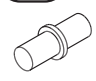





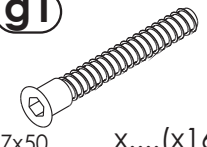
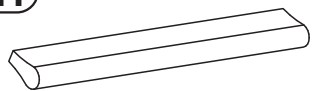

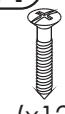




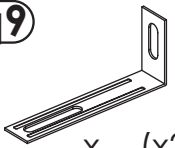
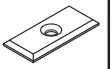

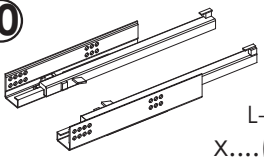
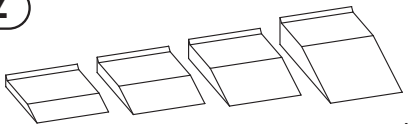

1803

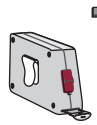
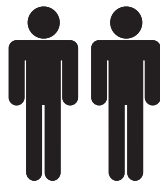
AVENSIS 17



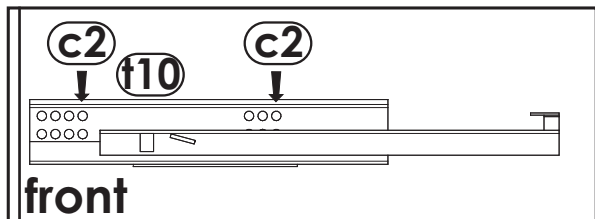
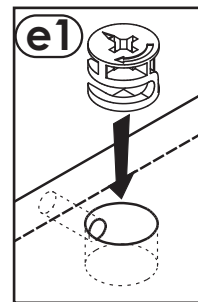
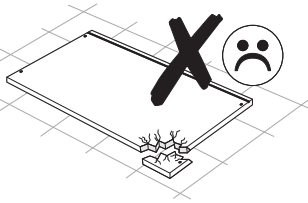
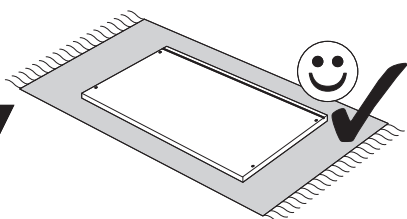
AVENSIS 17



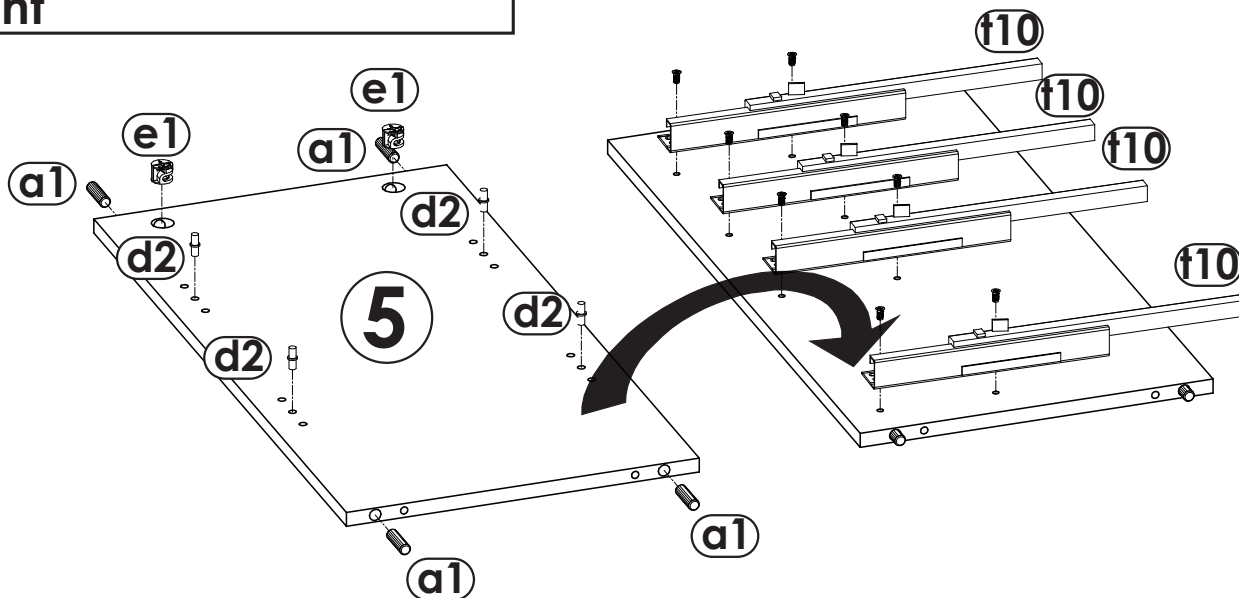
a1  8x35 x...(x26)	bc0  x...(x4)	bo1  x...(x4)	c1  Euro 4x13 x...(x8)	c2  Euro 5x13 x...(x16)	d2  x...(x16)	e0  x...(x8)	
e1  x...(x8)	e3  x...(x8)	f1  x...(x16)	g0  x...(x16)	g1  7x50 x...(x16)	h1  x...(x6)		
i2  4x16 x...(x2)	i4  3.5x27 x...(x12)	i10  3.5x22 x...(x6)	m  x...(x1)	n1  3x16 x...(x30)	o15  x...(x6)	q9  x...(x2)	r1  x...(x10)
r4  x...(x14)	f10  L-360 x...(x4)	z  x...(x1)		et  x...(x1)			



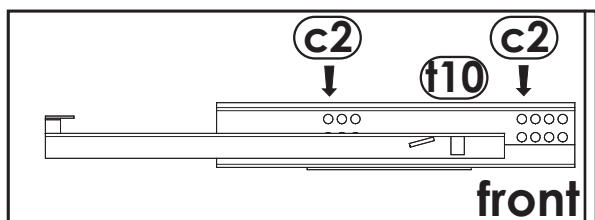
1



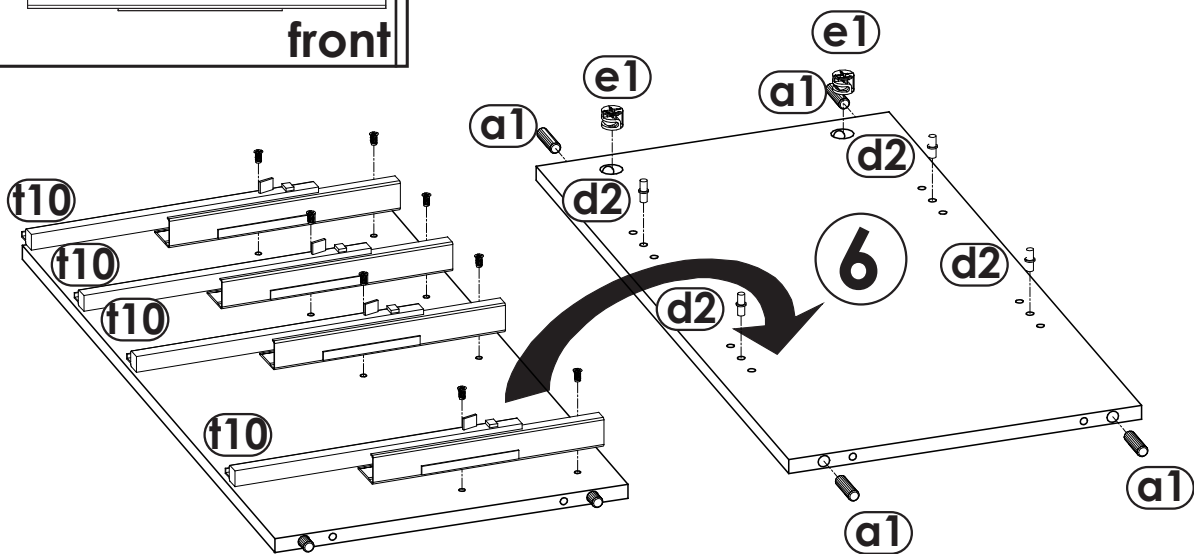
front



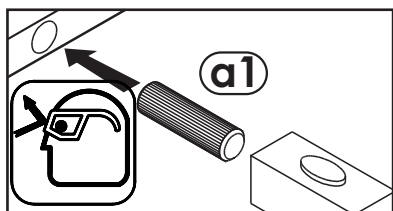
5



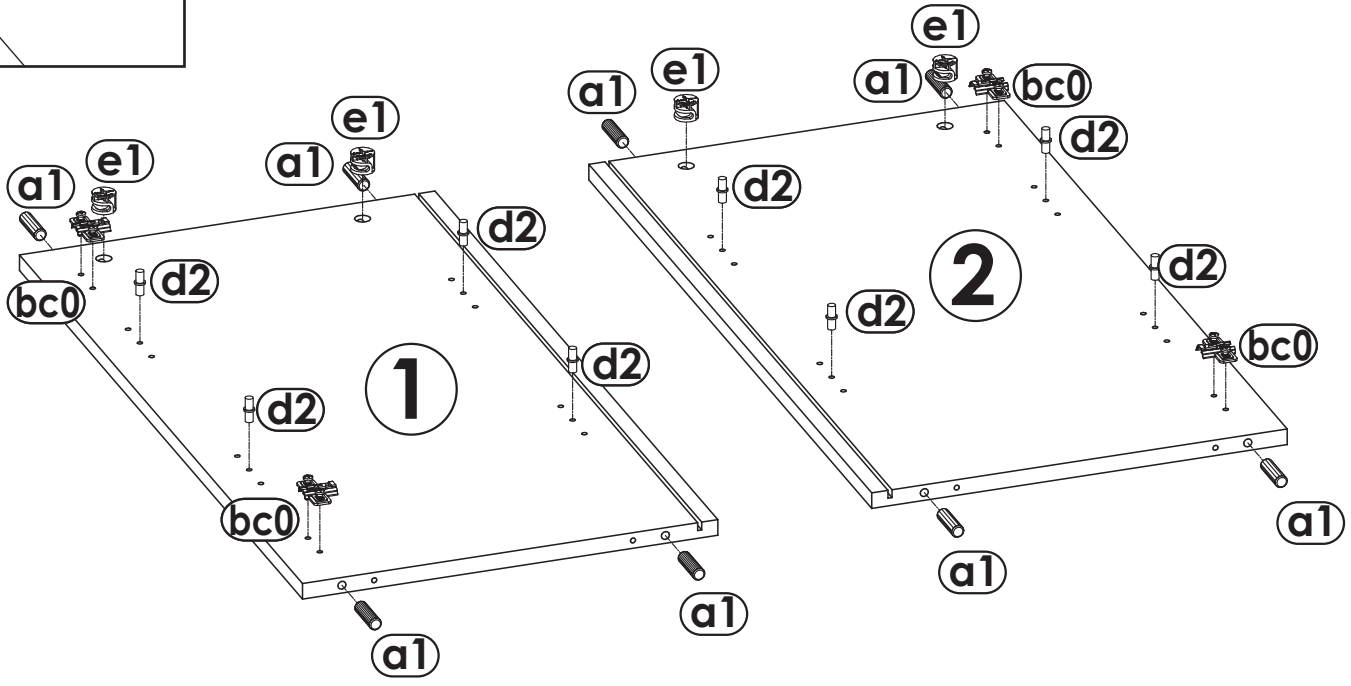
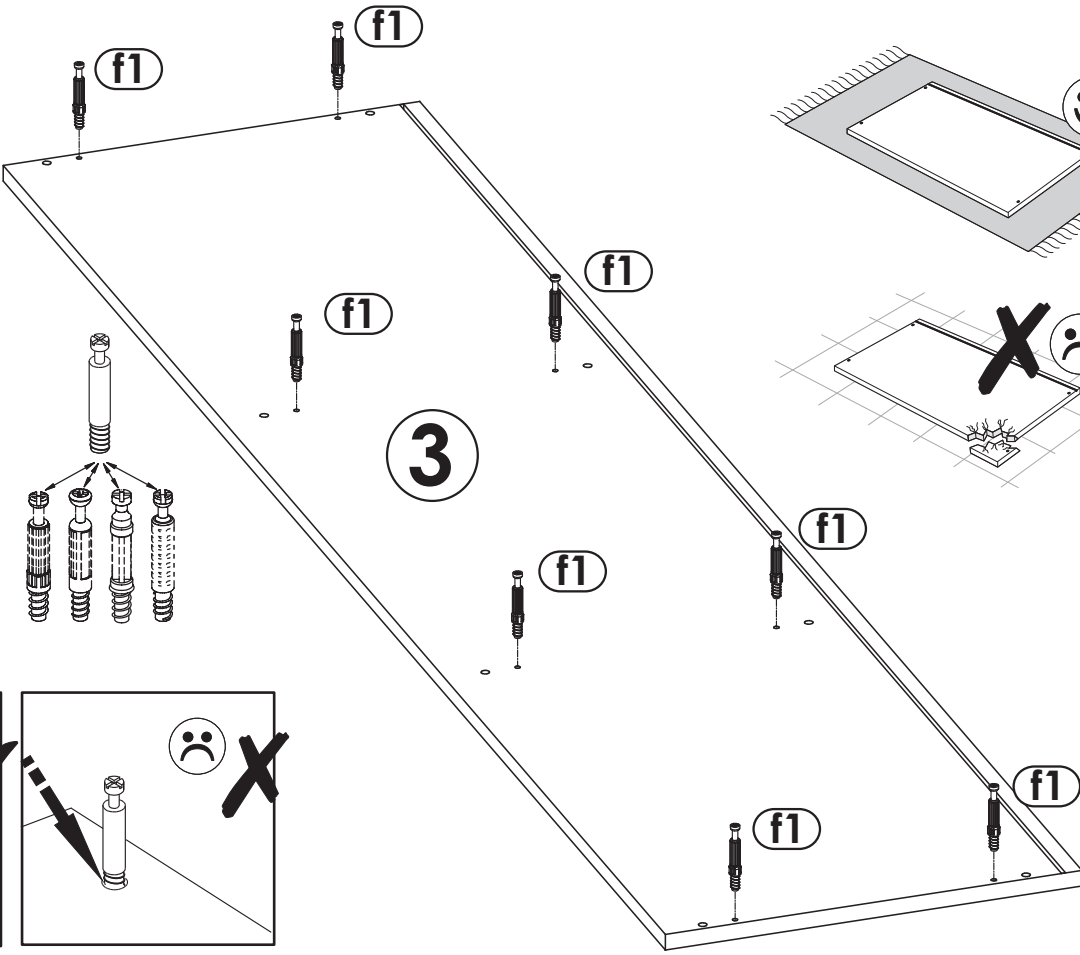
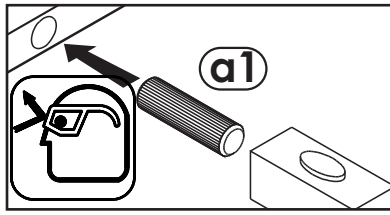
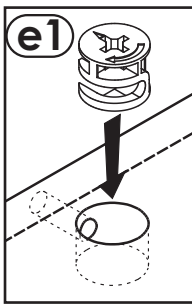
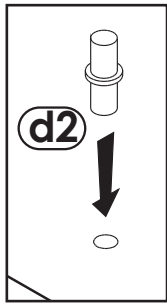
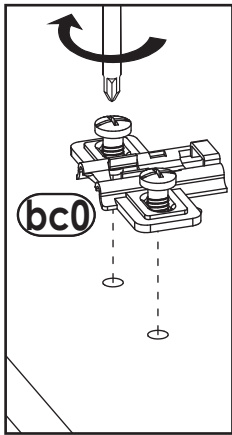
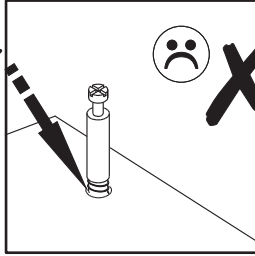
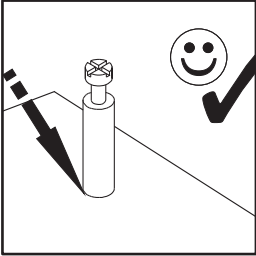
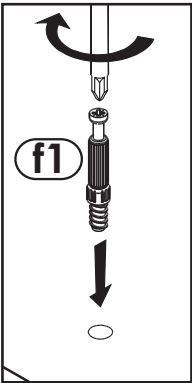
front



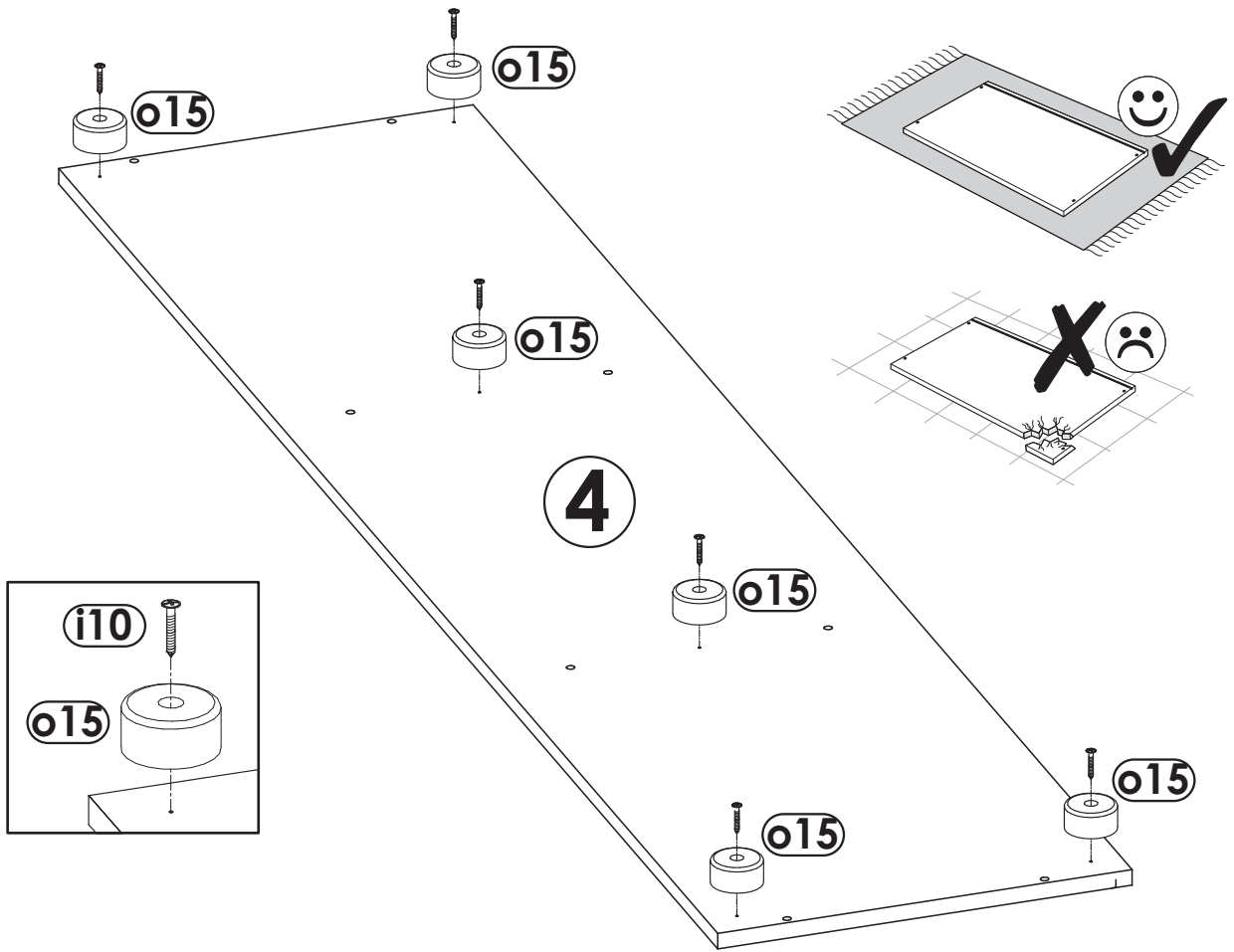
6



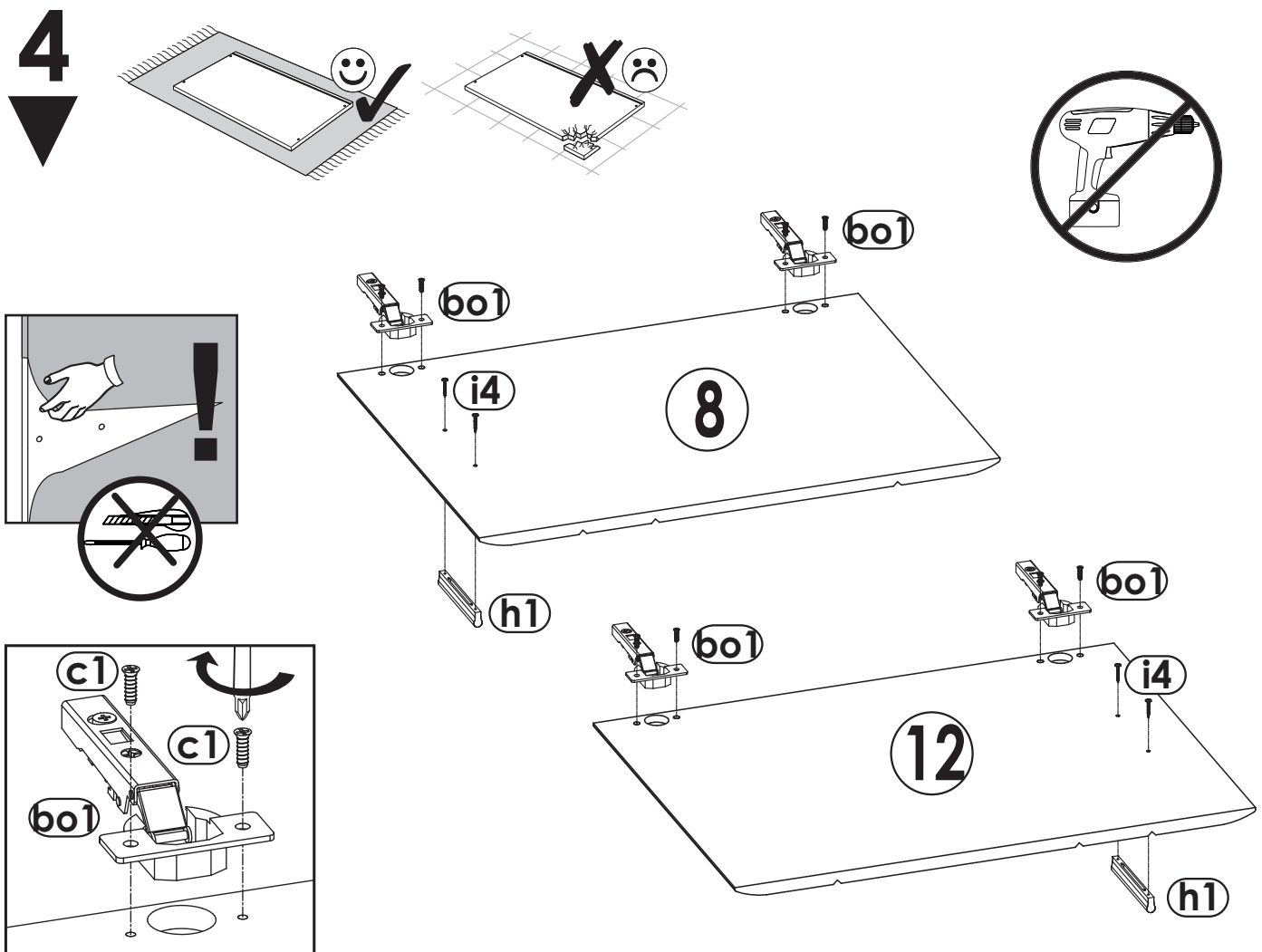
2



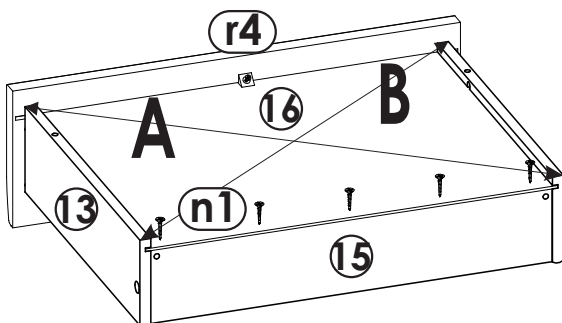
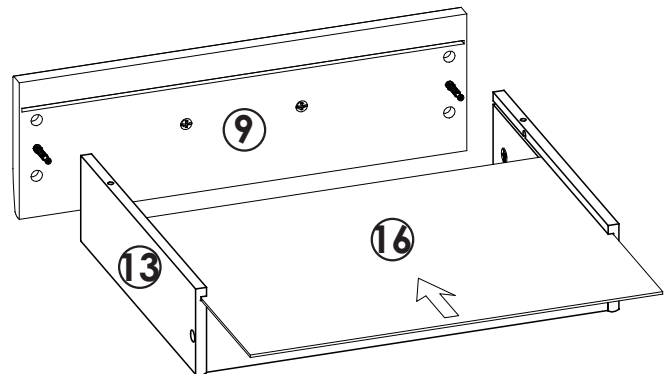
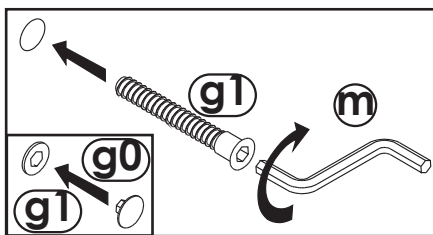
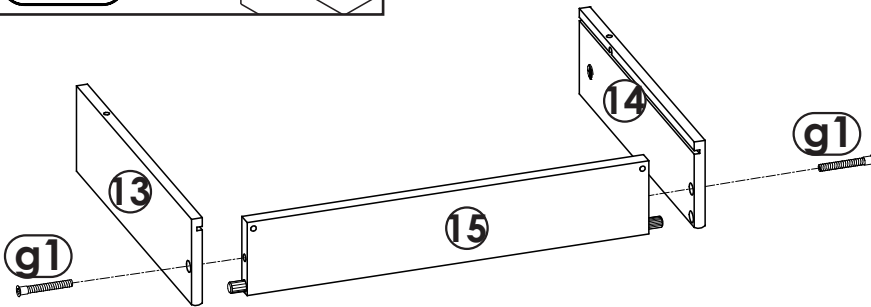
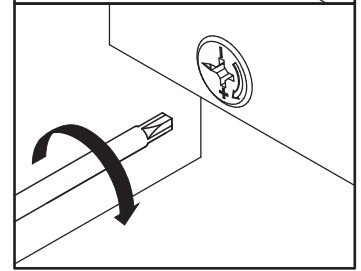
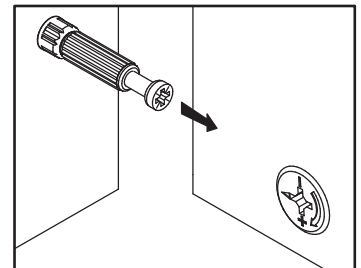
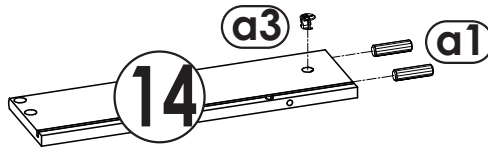
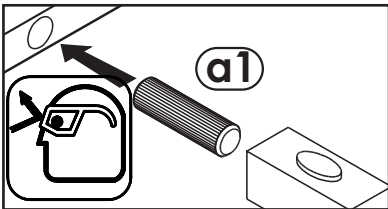
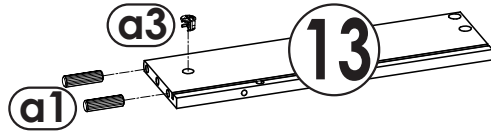
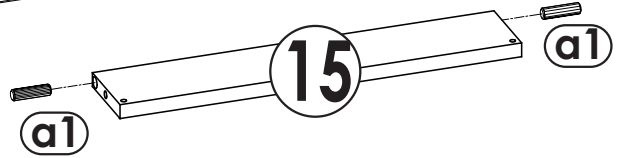
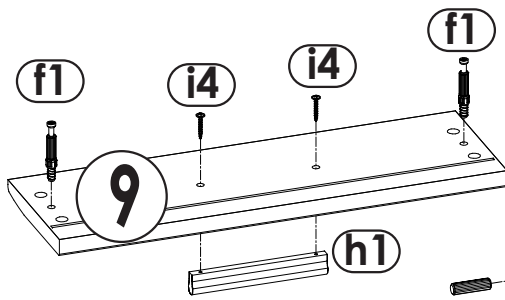
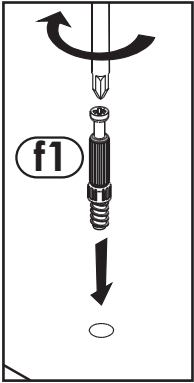
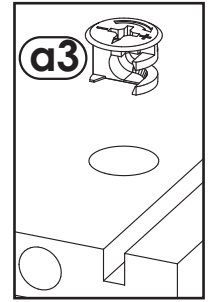
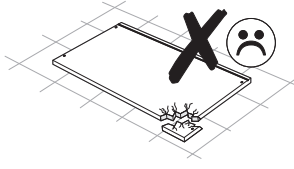
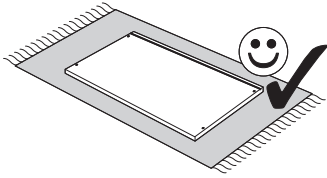
3
▼



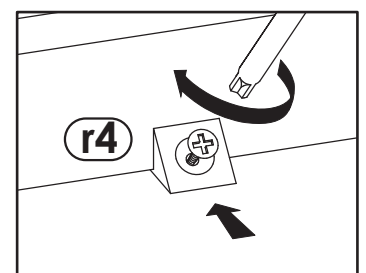
4
▼



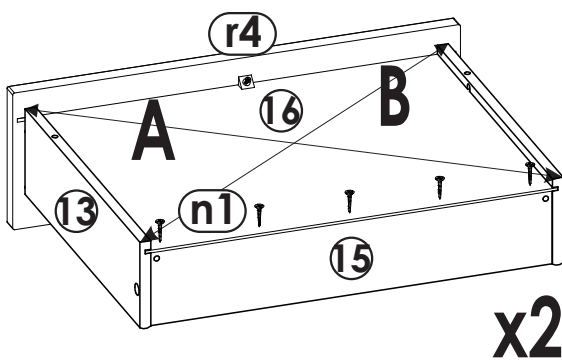
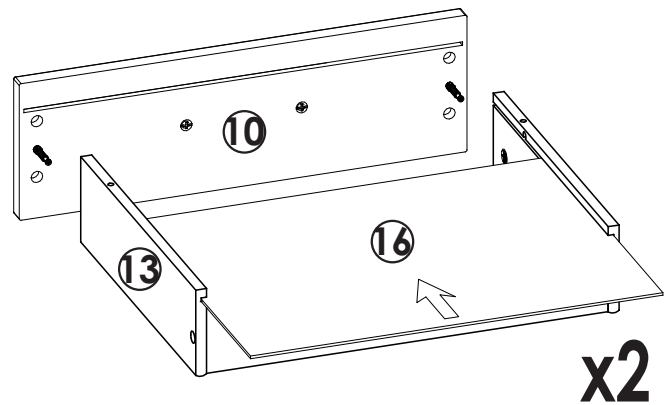
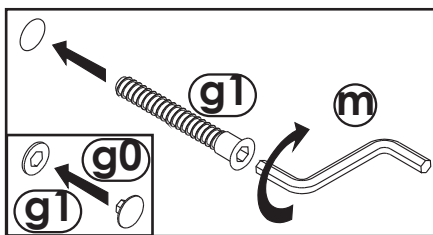
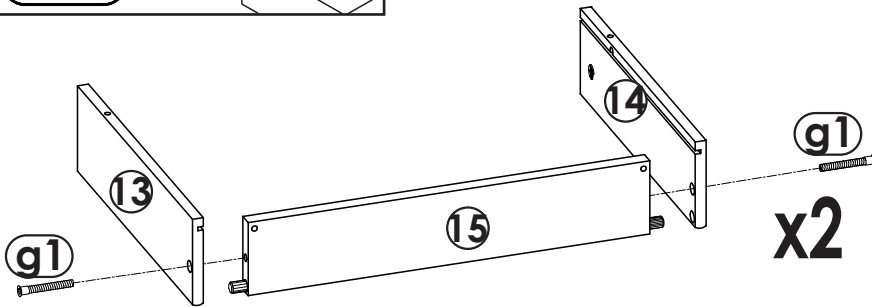
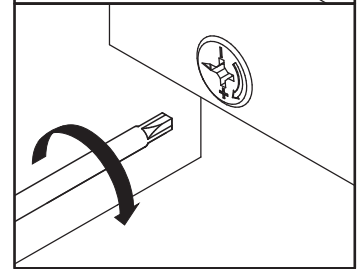
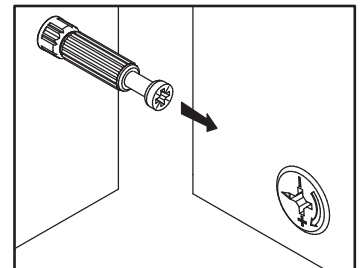
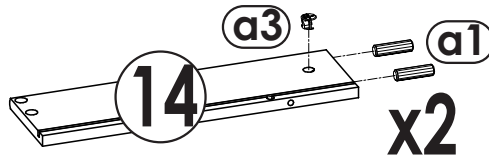
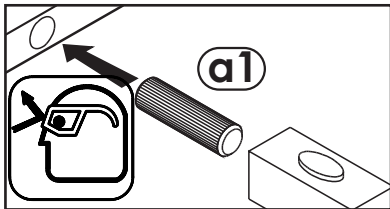
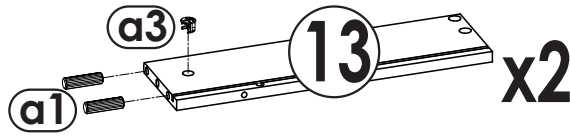
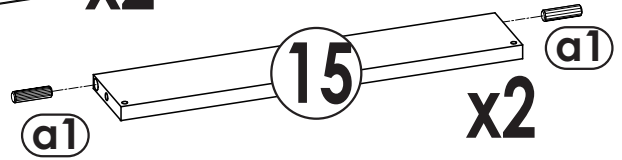
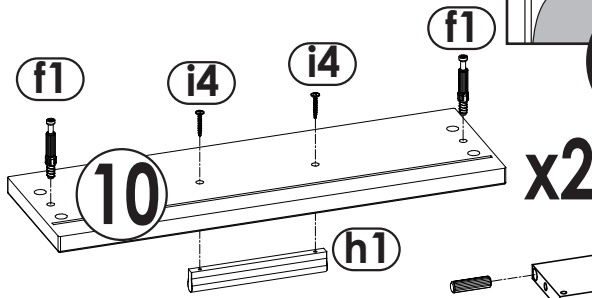
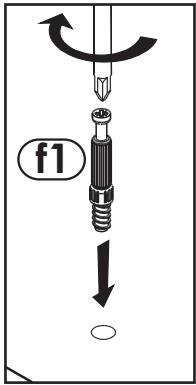
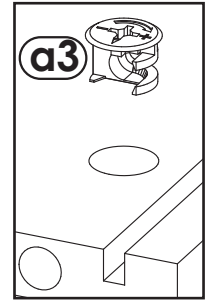
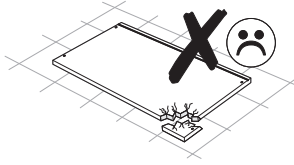
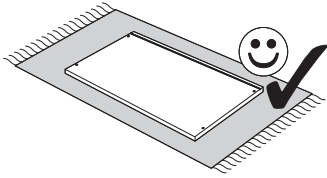
5



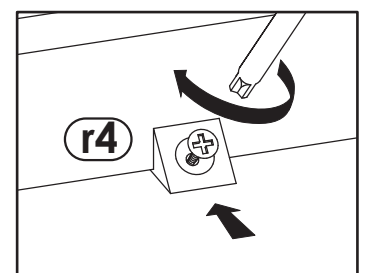
A=B



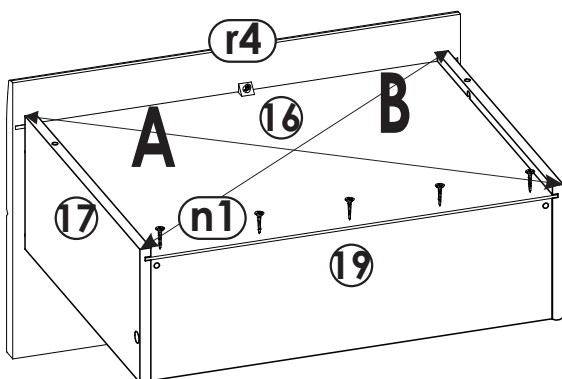
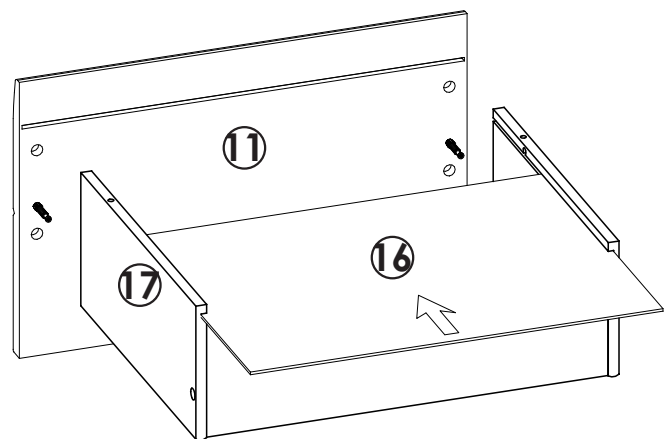
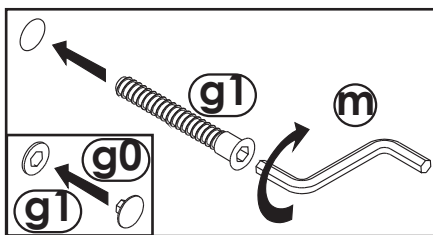
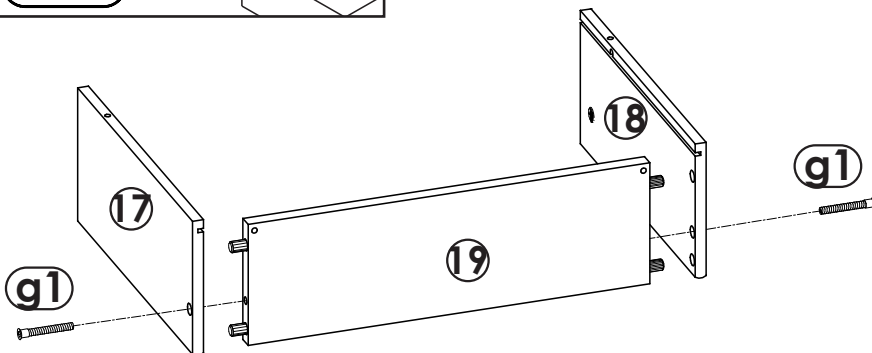
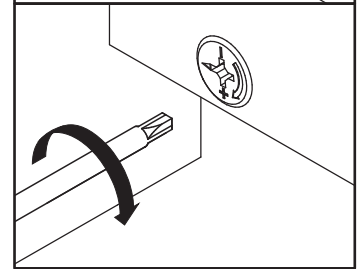
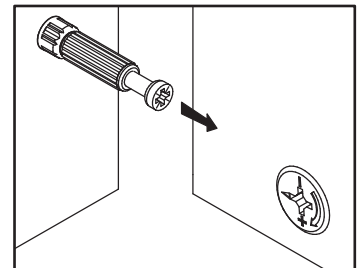
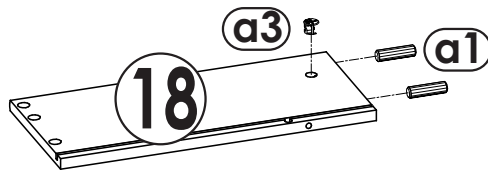
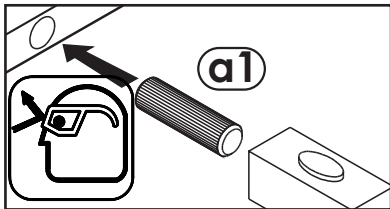
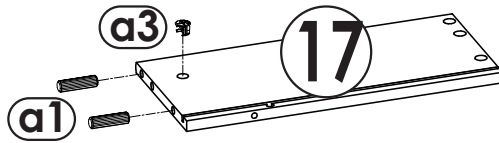
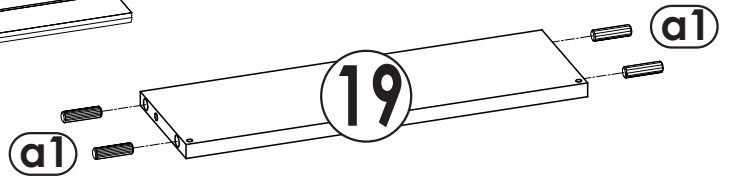
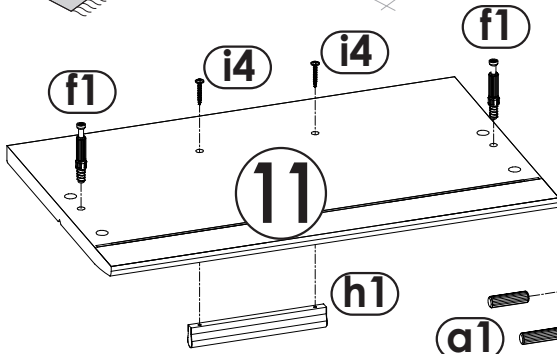
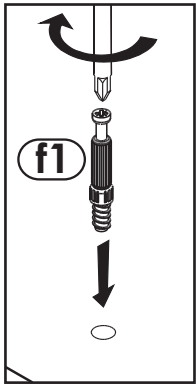
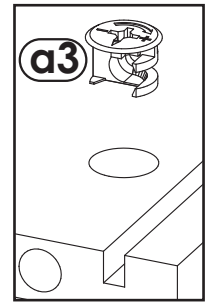
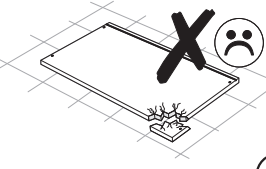
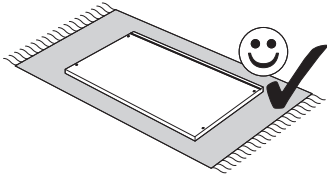
6



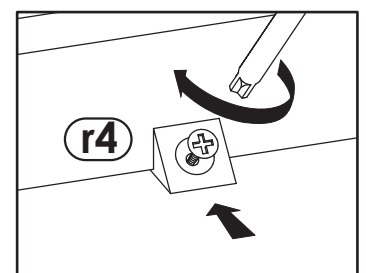
A=B

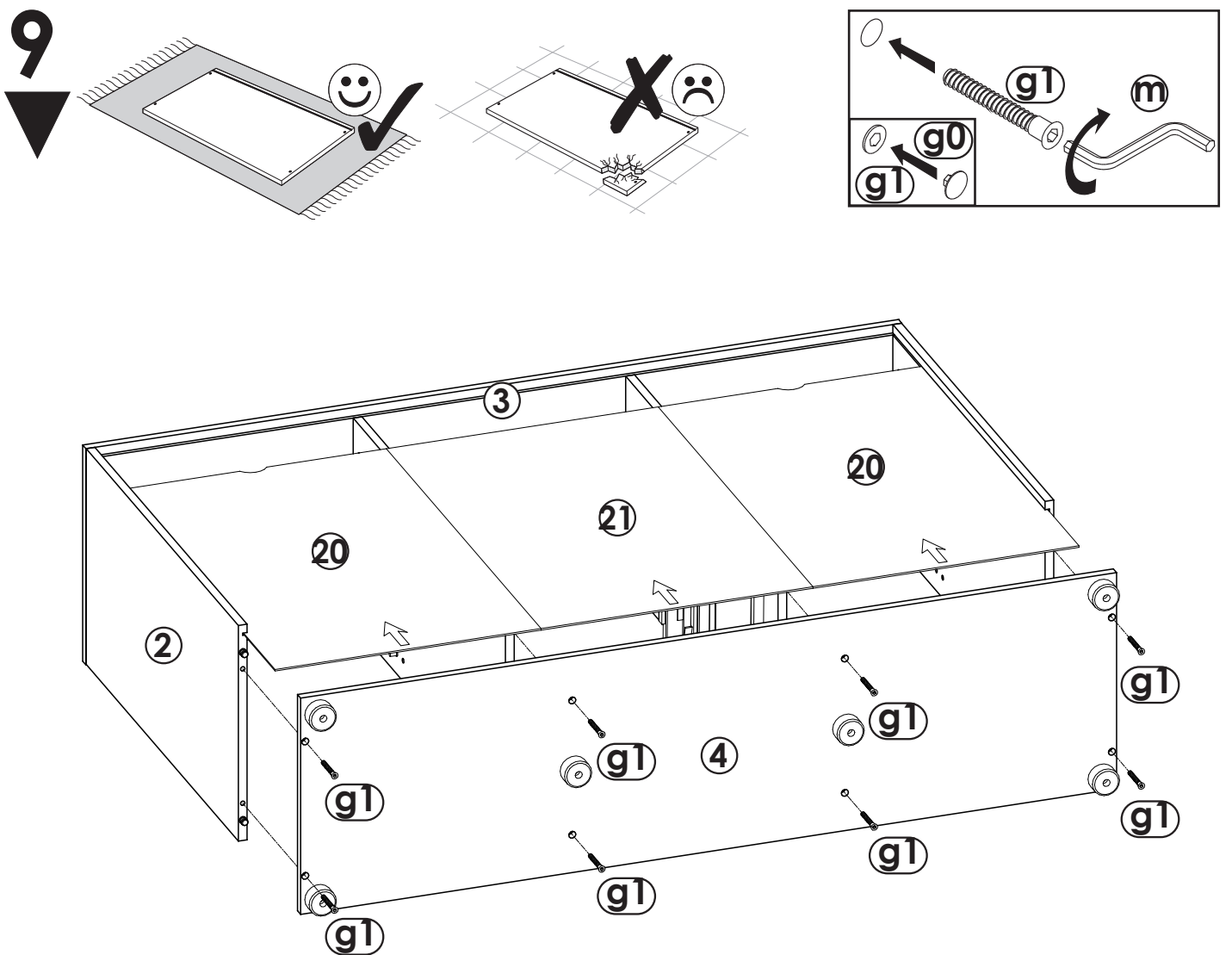
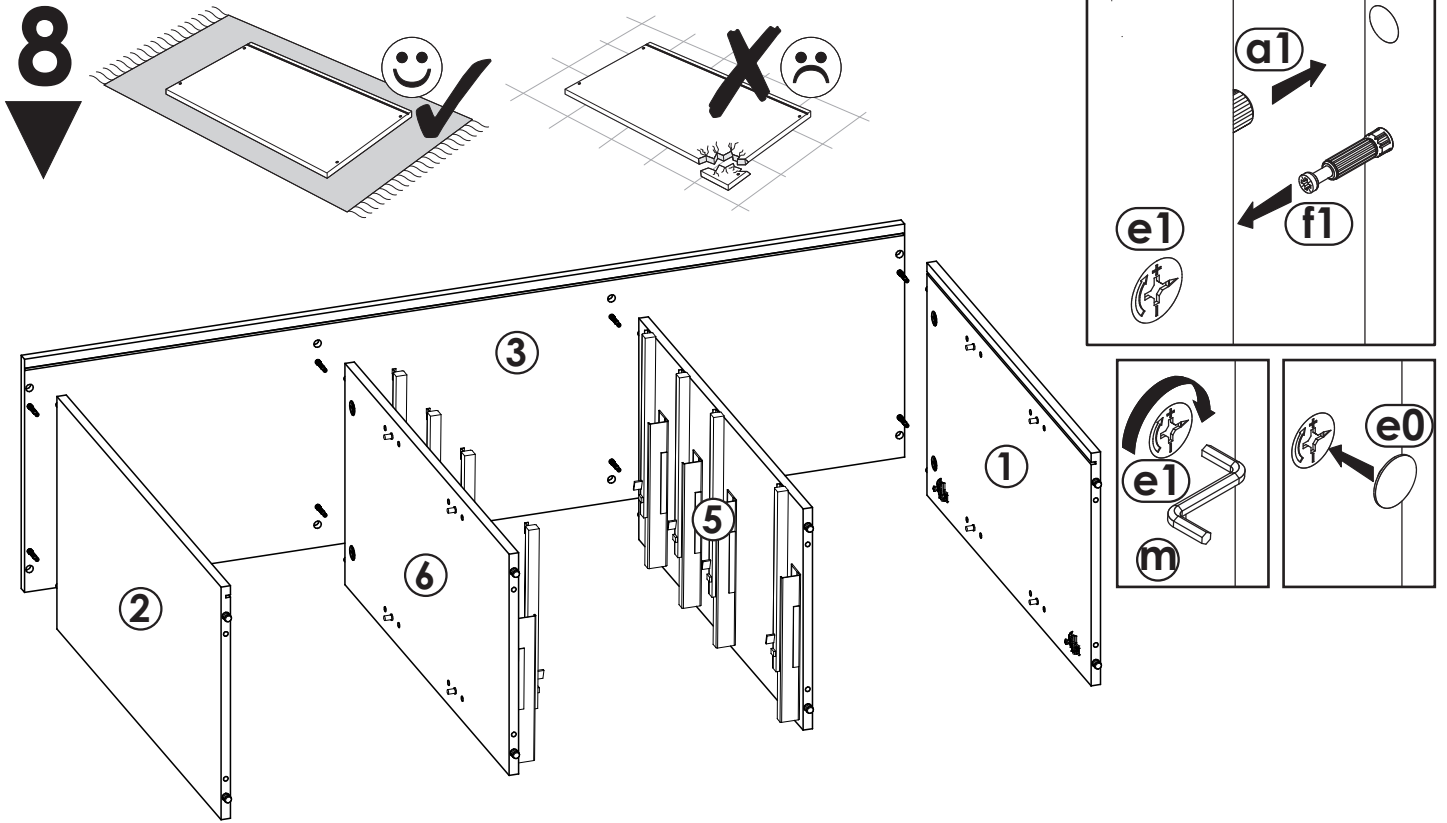


7

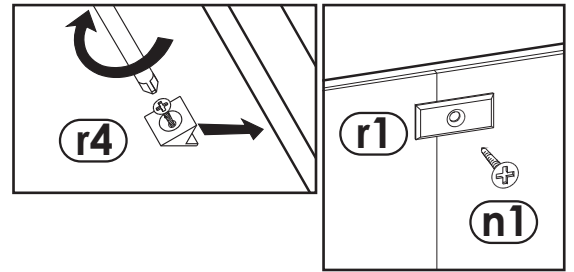
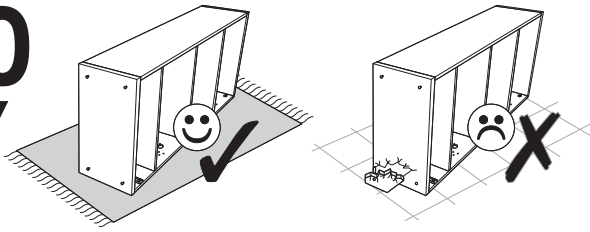


A=B

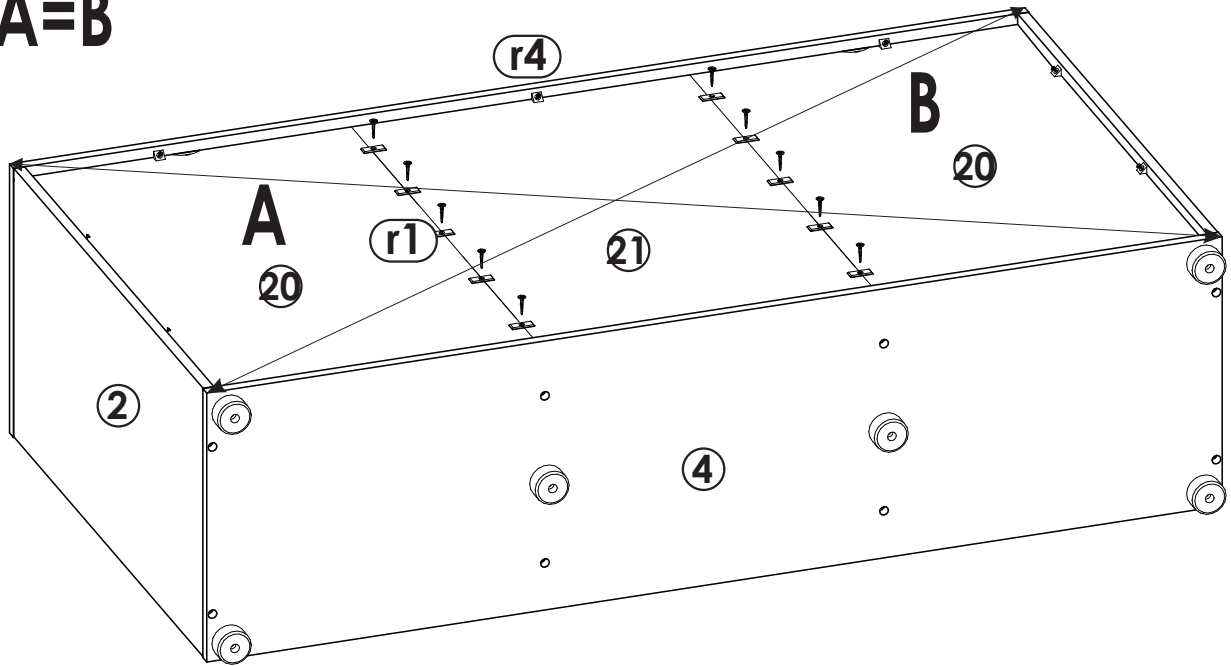




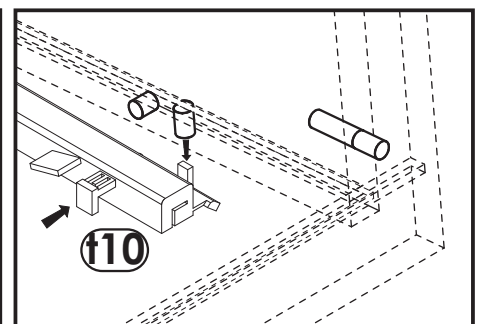
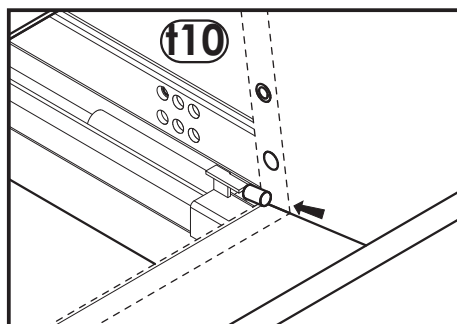
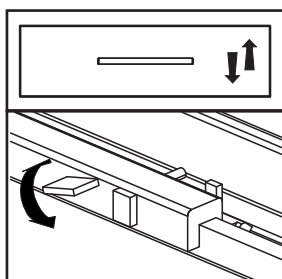
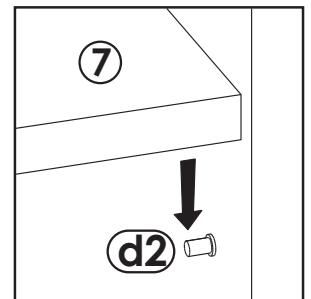
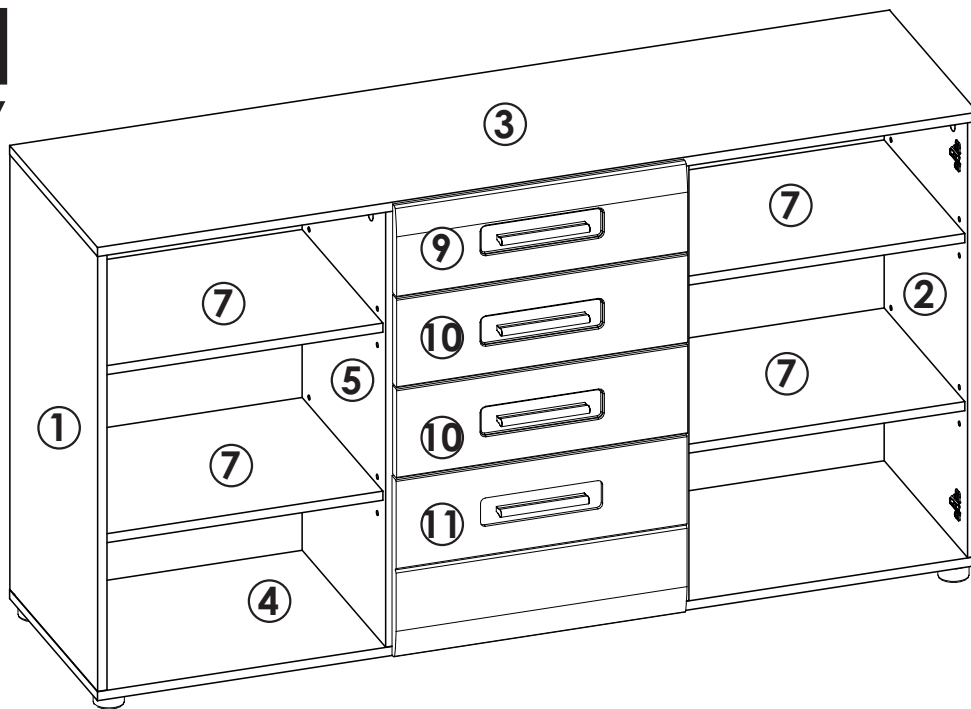
10
▼



A=B



11
▼



12

