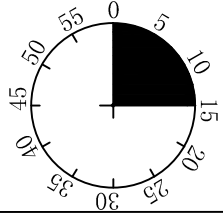
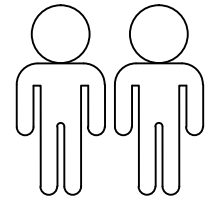
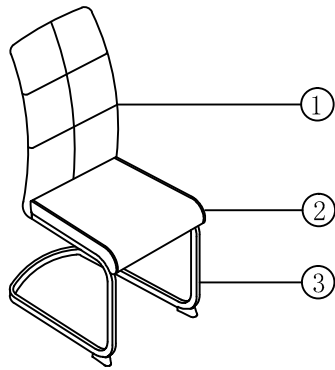


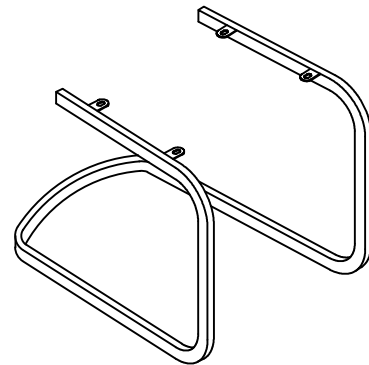
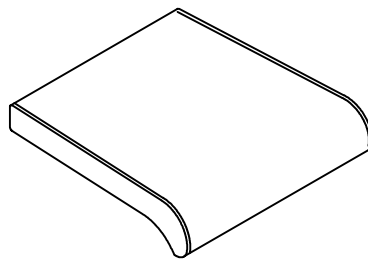
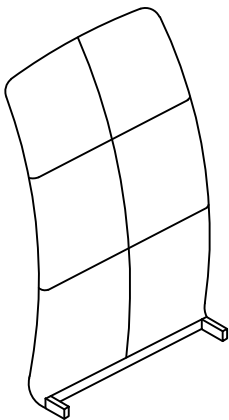
Turin



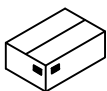
1

2

3



1	1x
2	1x
3	1x



1/1

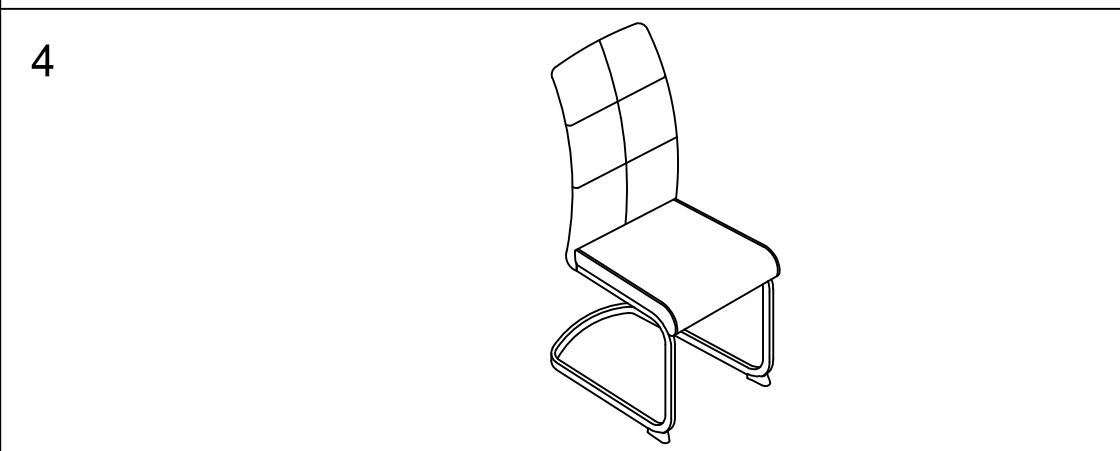
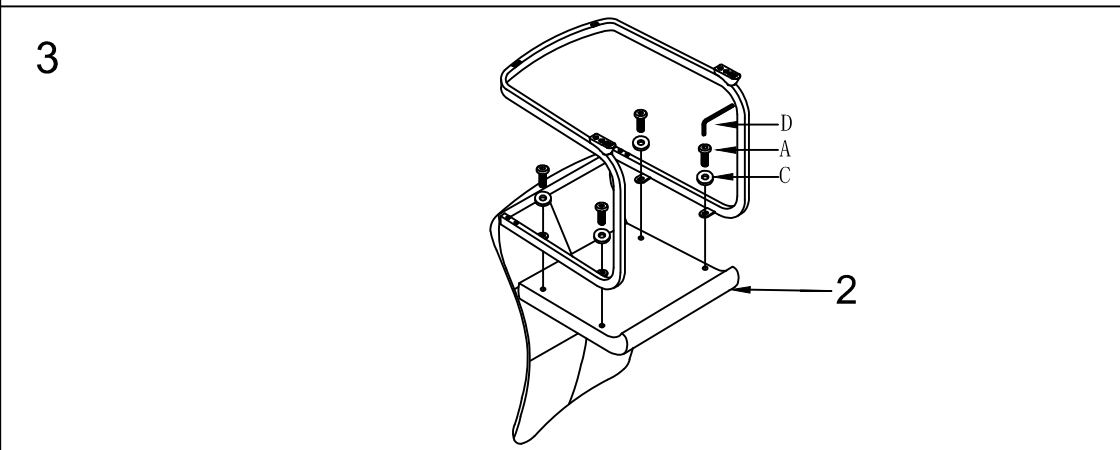
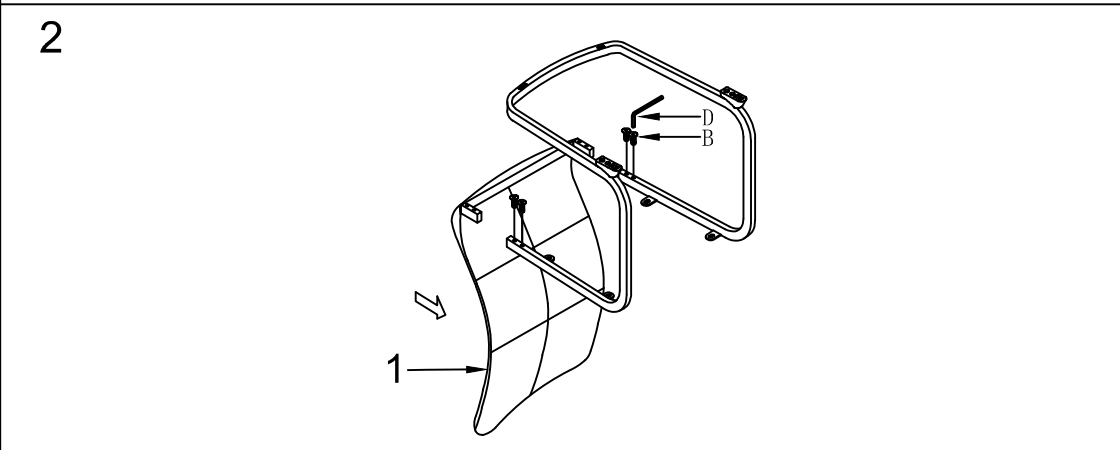
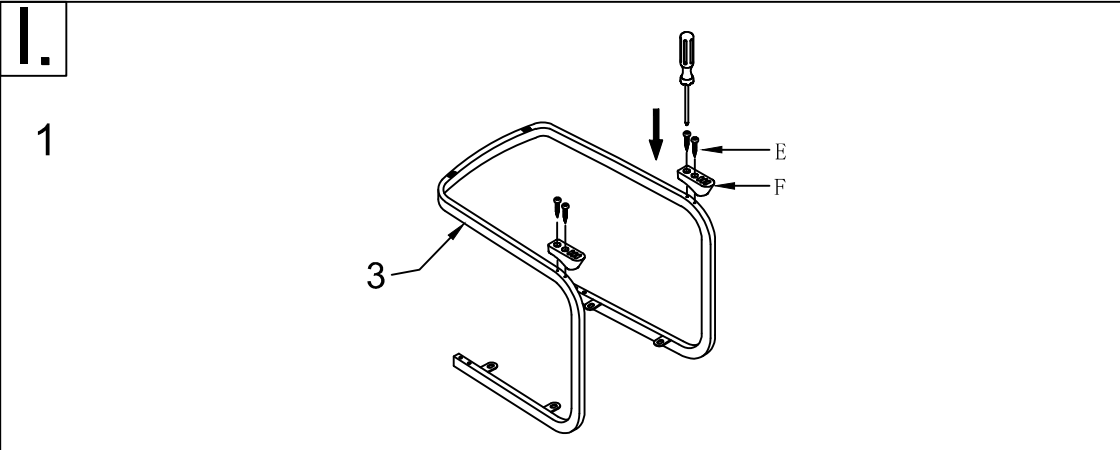
A	M6x20	B	M6x12	C	Ø18xØ6x1.5	D	4MM	E	M4x25	F	
	4x		4x		4x		1x		4x		2x

- E M4x25
4x
- F
2x
- 100%

- B M6x12
4x
- D 4MM
1x
- 75%

- A M6X20
4x
- C Ø18xØ6x1.5
4x
- D 4MM
1x
- 75%

- D 4MM
1x
- 100%



Séparez les éléments avant de trier