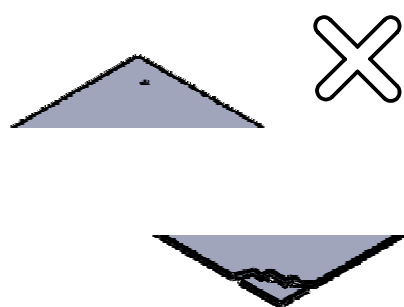
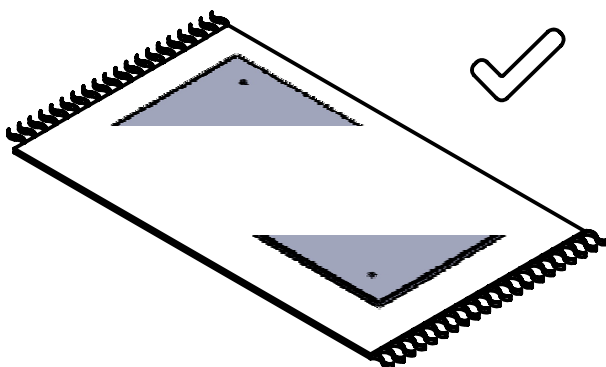
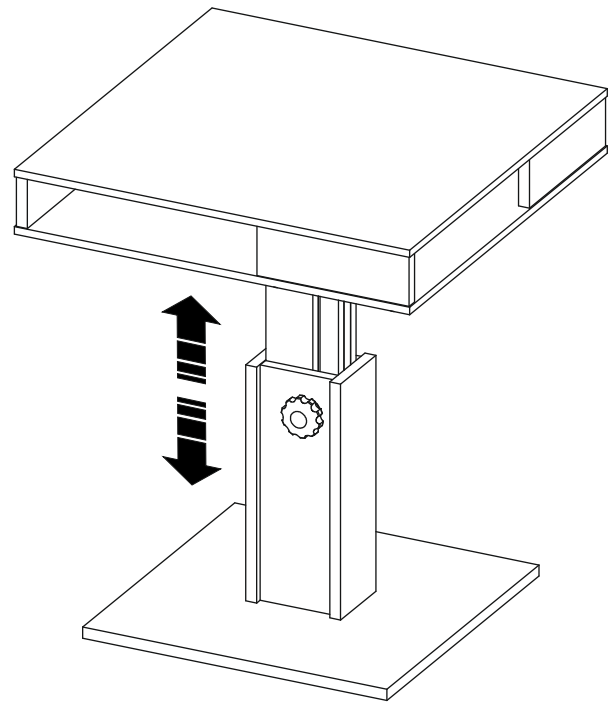
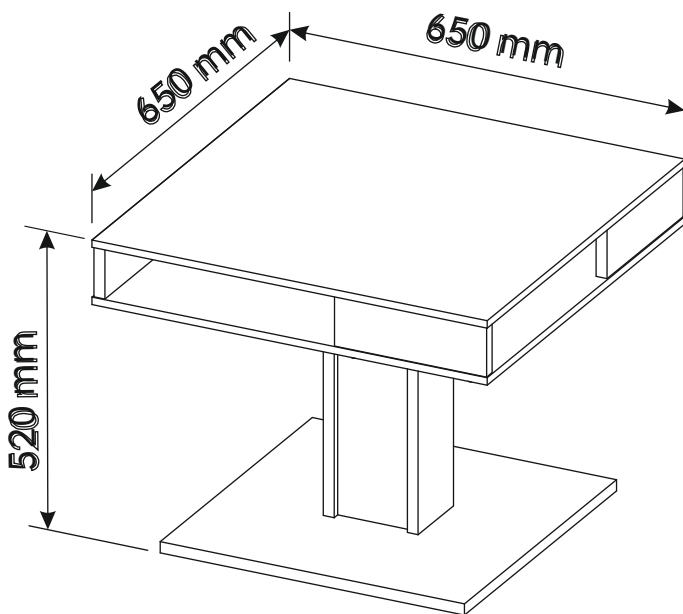
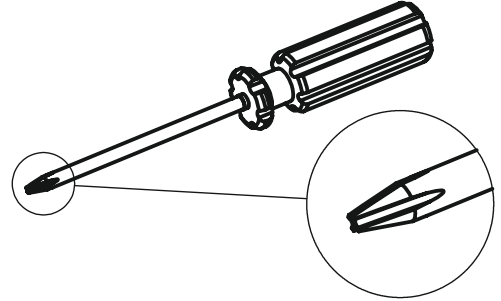
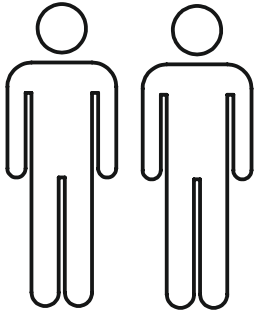
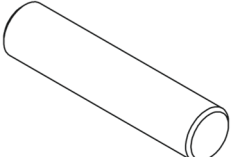


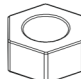

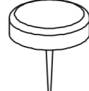
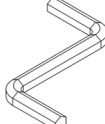
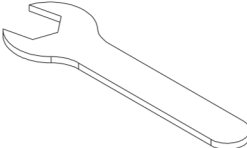
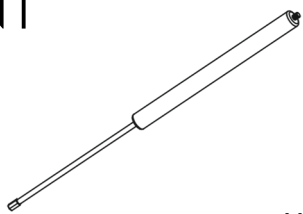
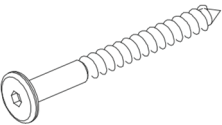
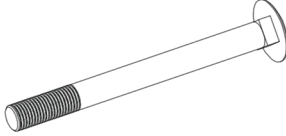




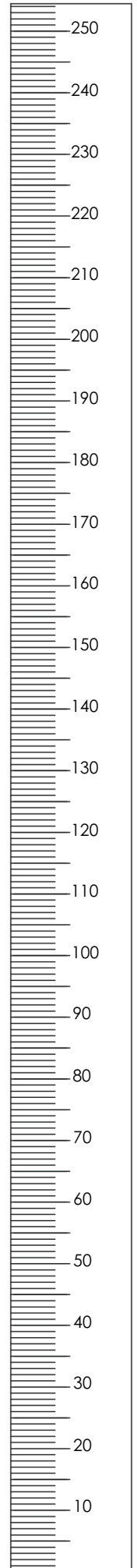
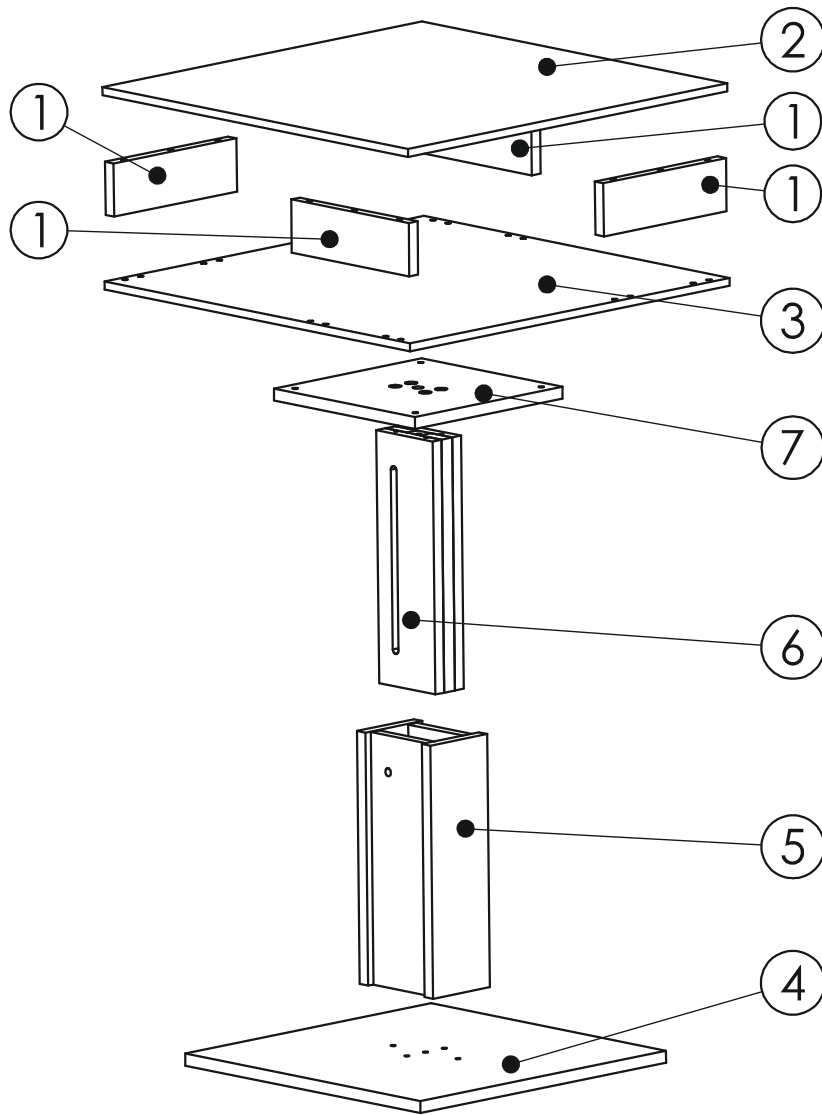


Modell:HP4



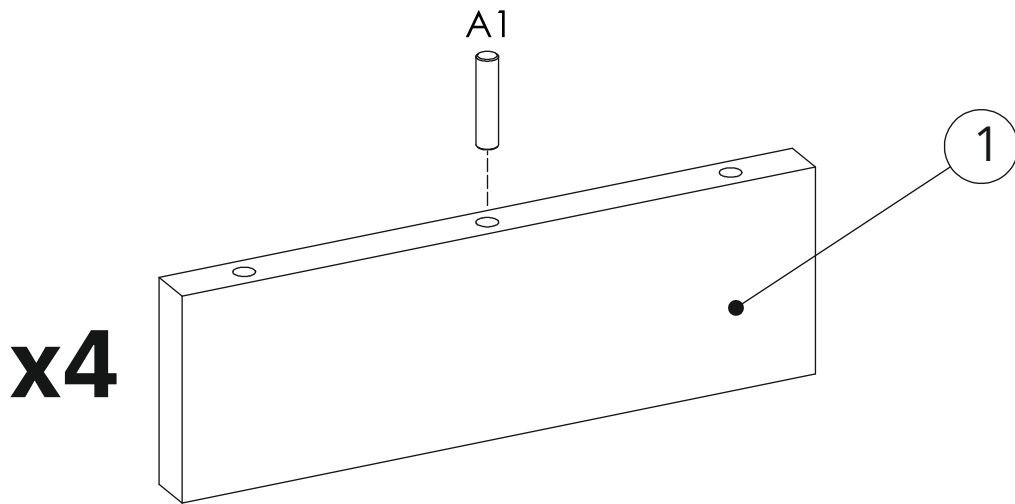
<p><b>A1</b></p>  <p>8x36 mm x12</p>	<p><b>B22</b></p>  <p>M6x100 mm x8</p>	<p><b>B12</b></p>  <p>M6x90 mm x1</p>
<p><b>B4</b></p>  <p>M6 x1</p>	<p><b>B5</b></p>  <p>M6 x1</p>	<p><b>S1</b></p>  <p>x4</p>
<p><b>Z4</b></p>  <p>x1</p>	<p><b>K1</b></p>  <p>10mm x1</p>	<p><b>N1</b></p>  <p>x1</p>
<p><b>W1</b></p>  <p>6.5X70mm x8</p>	<p><b>D1</b></p>  <p>M10X110mm x1</p>	<p><b>B6</b></p>  <p>M10 x1</p>
<p><b>P1</b></p>  <p>x1</p>	<p><b>B3</b></p>  <p>M6X11mm x1</p>	<p><b>B25</b></p>  <p>M6X25mm x4</p>

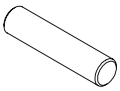


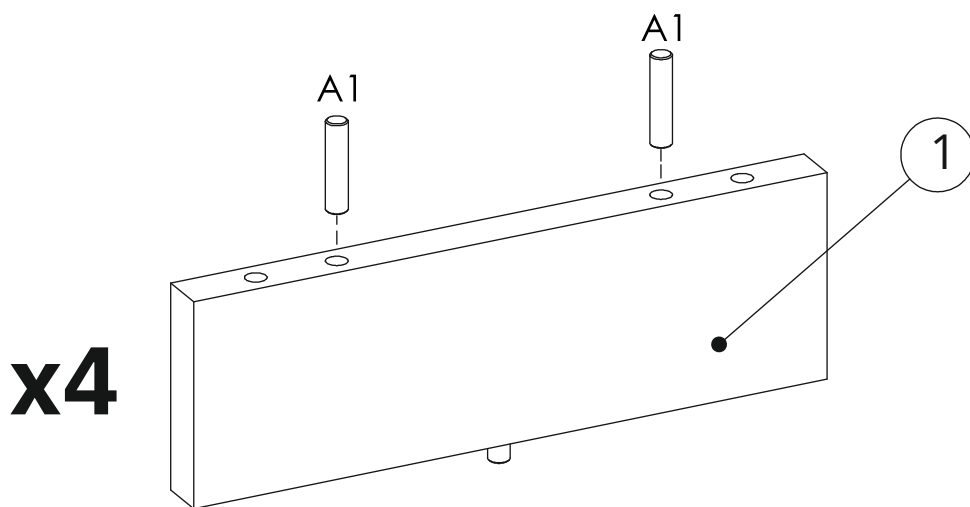


①	250	80	18	4
②	650	650	12	1
③	650	650	12	1
④	500	500	18	1
⑤	350	116	156	1
⑥	380	119	58	1
⑦	300	300	18	1

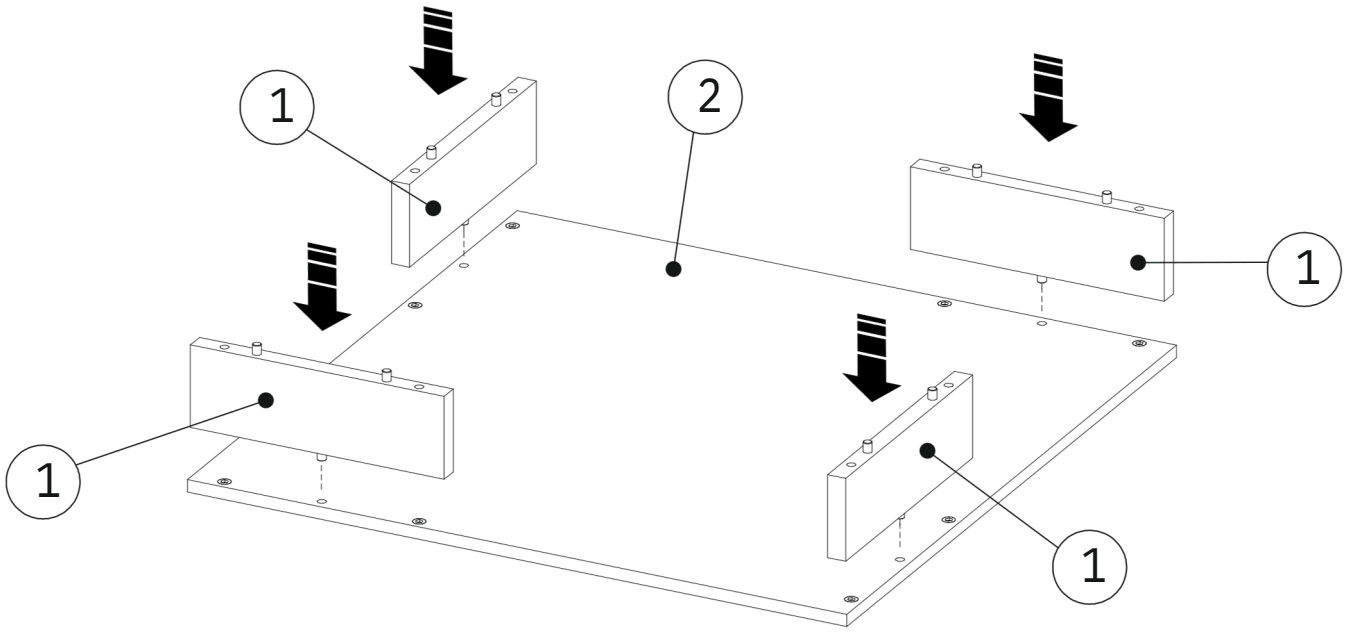
**1** A1  x4



**2** A1  x8

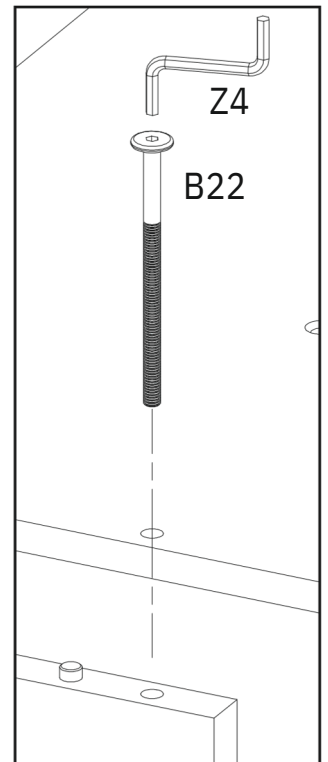
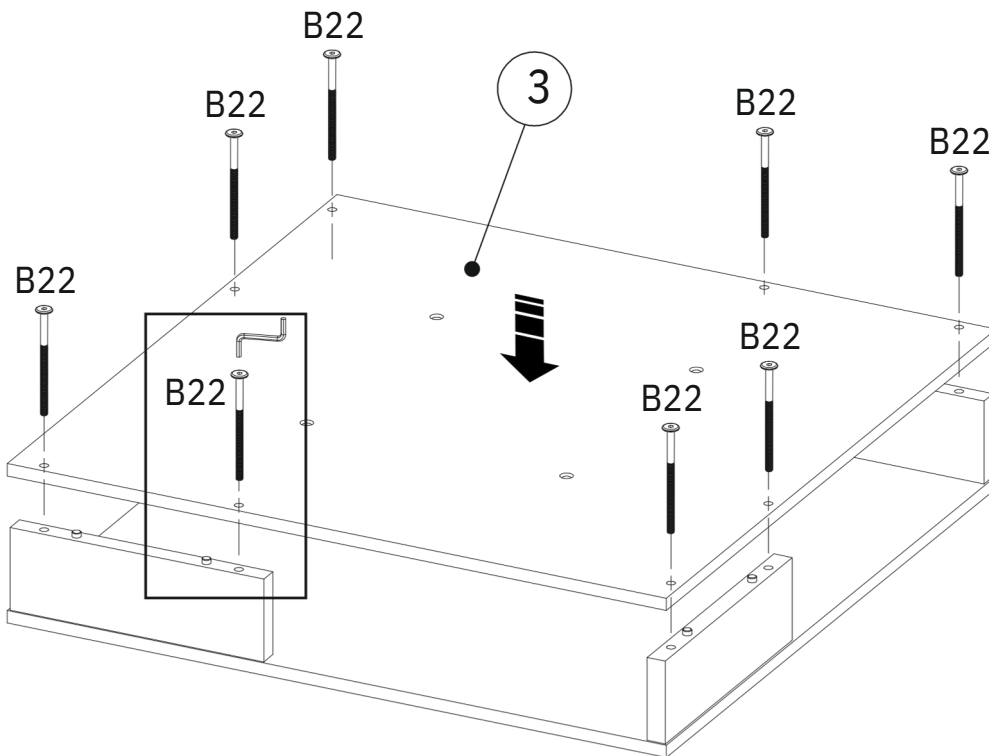


# 3



# 4

B22

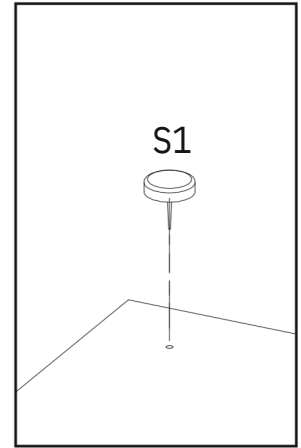
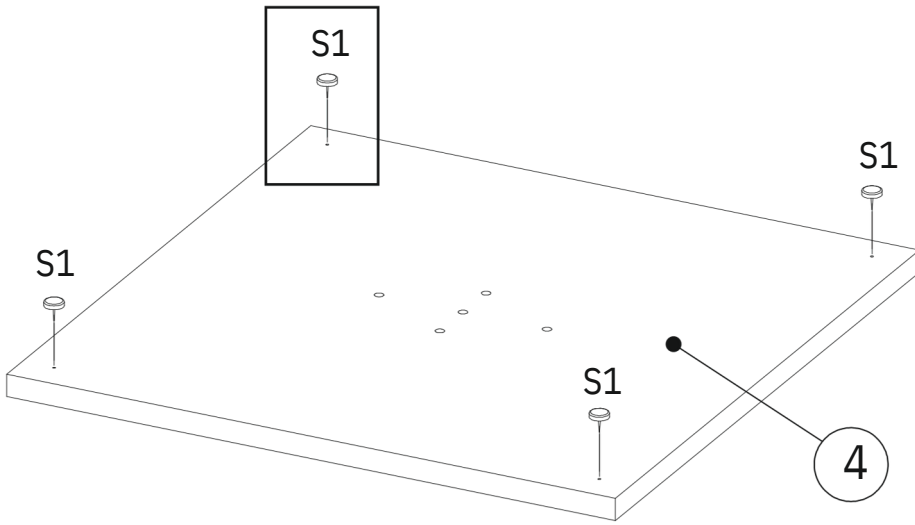


5

S1



x4

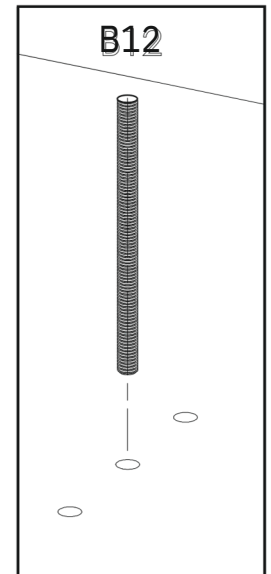
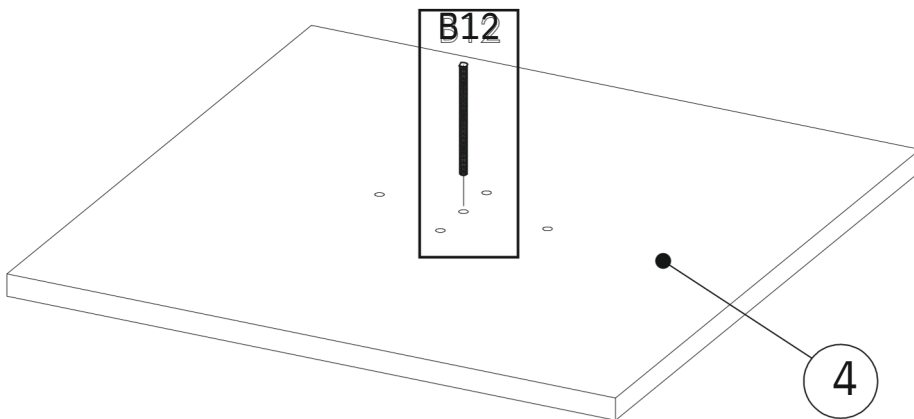


6

B12



x1



# 7

B4

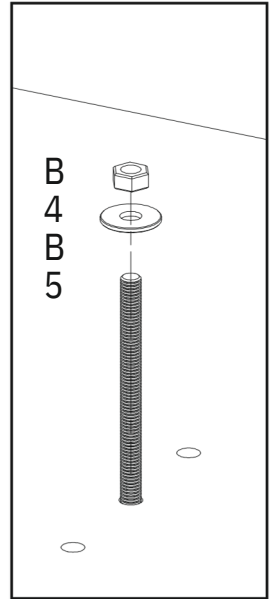
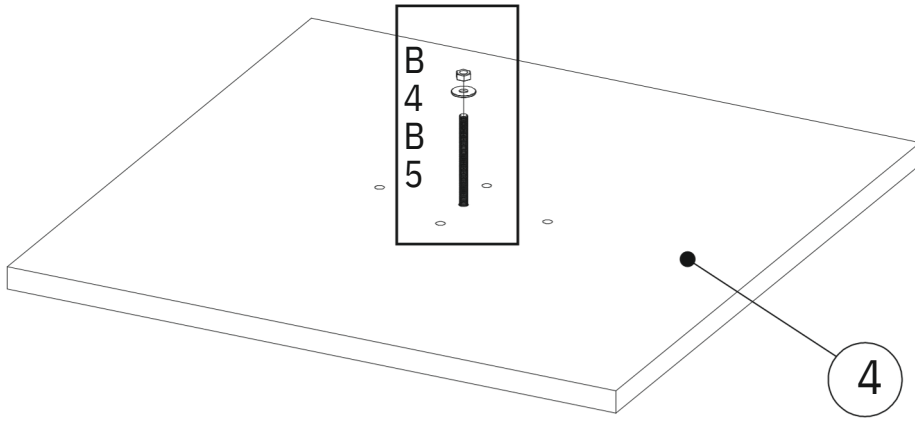


x1

B5

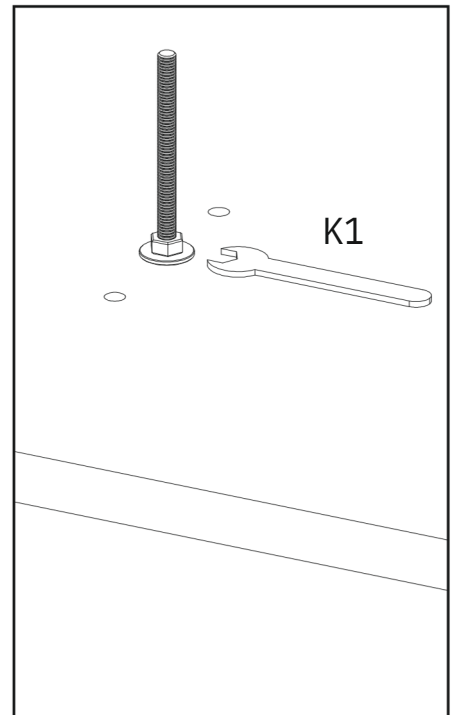
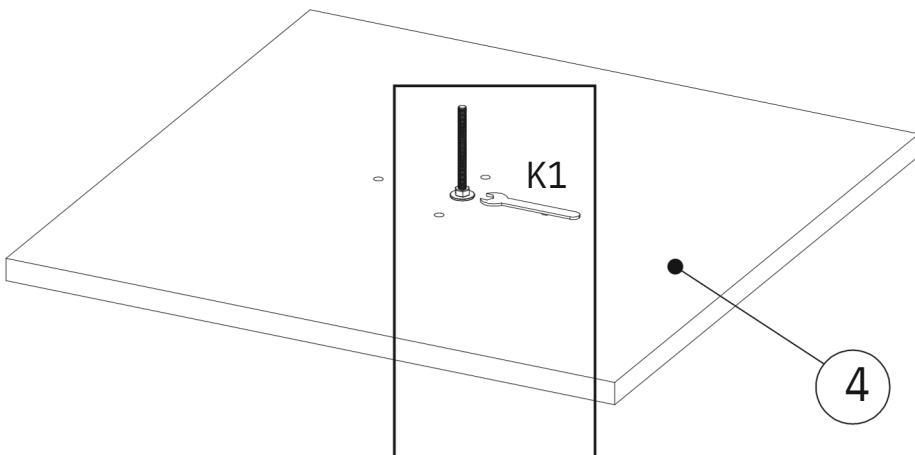
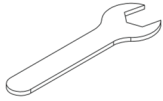


x1



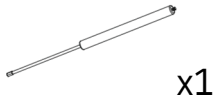
# 8

K1

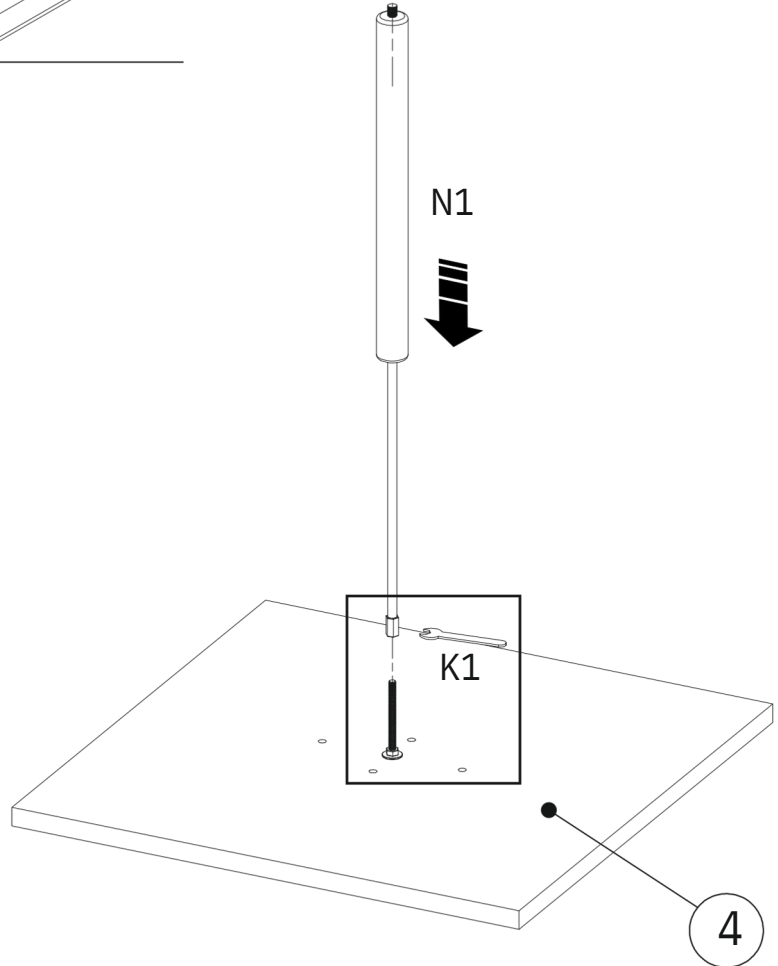
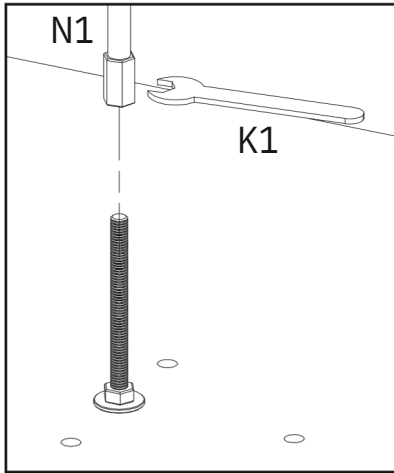
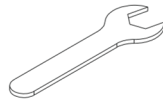


# 9

N1

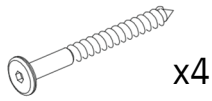


K1

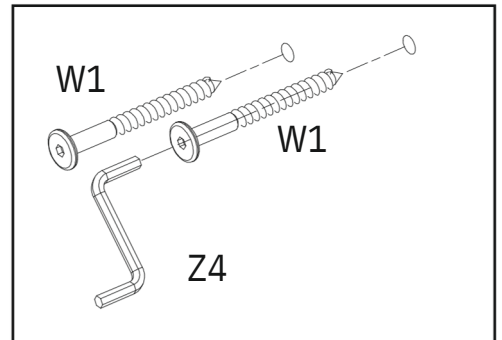
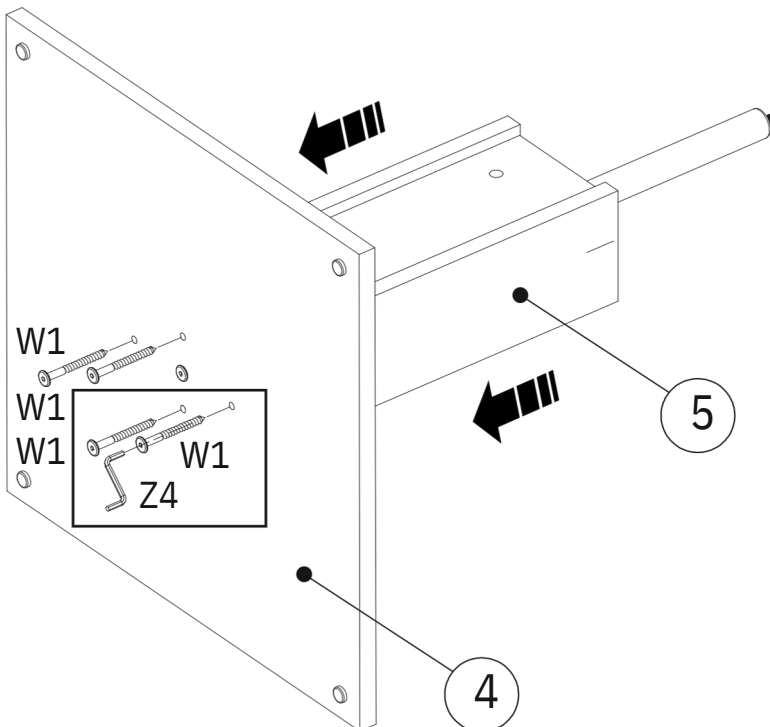
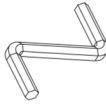


# 10

W1



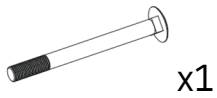
Z4





# 11

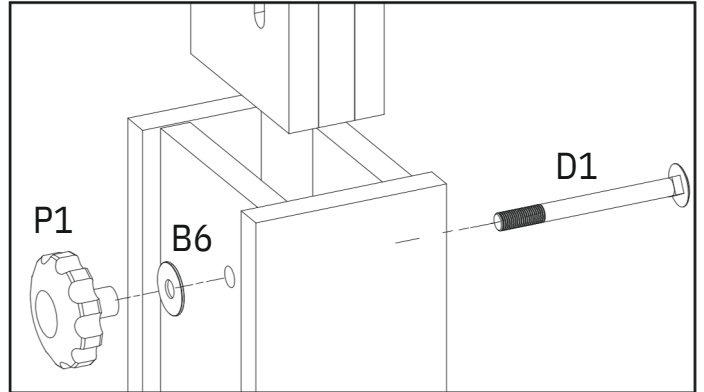
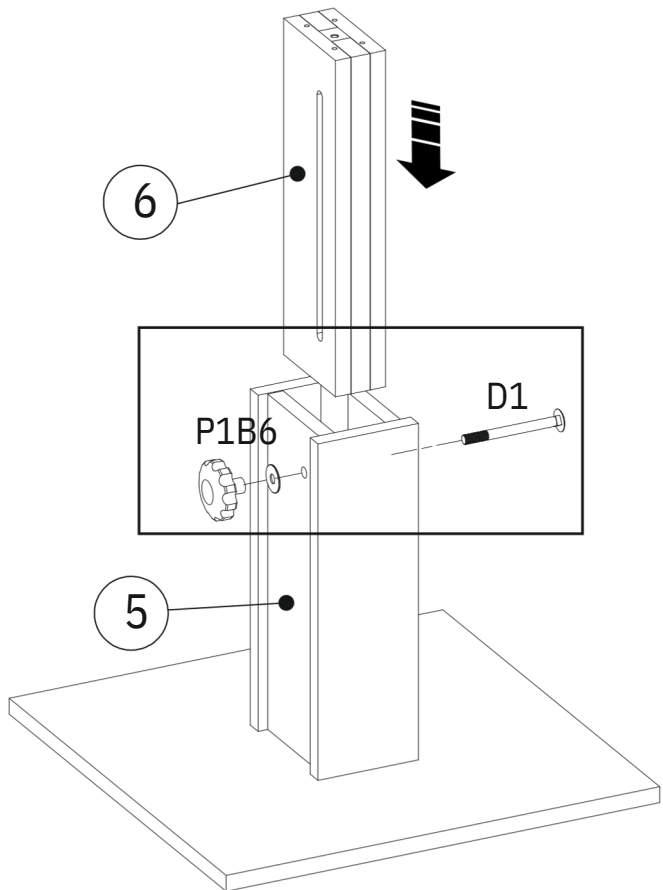
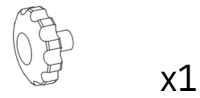
D1



B6

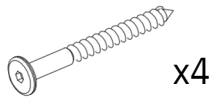


P1

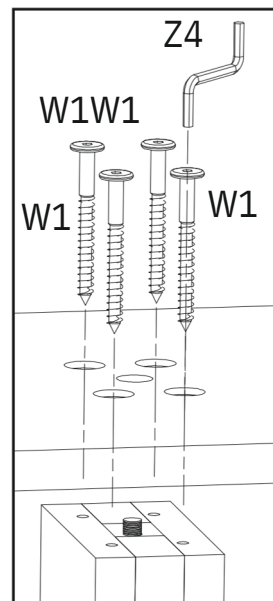
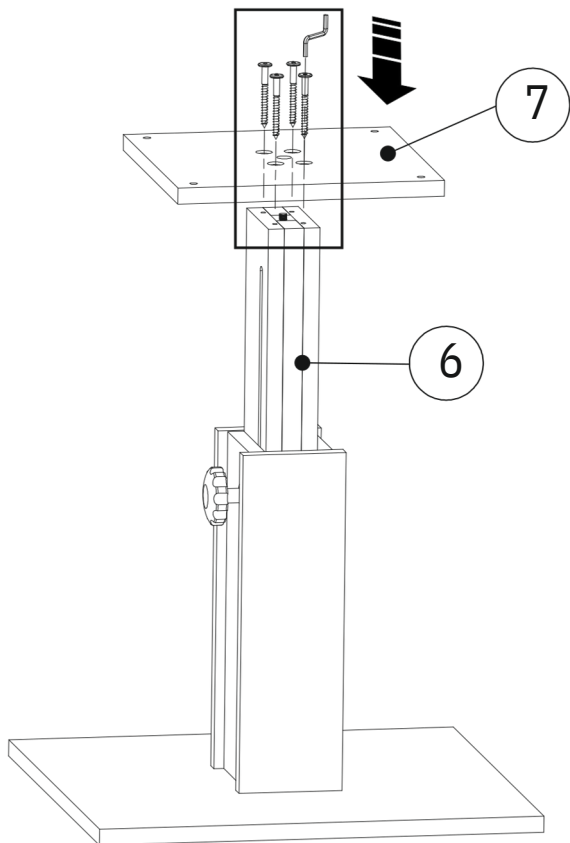
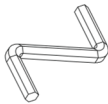


# 12

W1



Z4



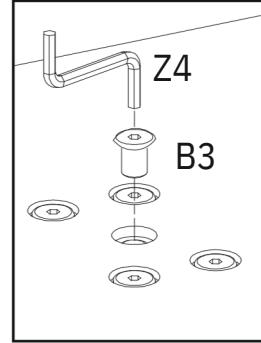
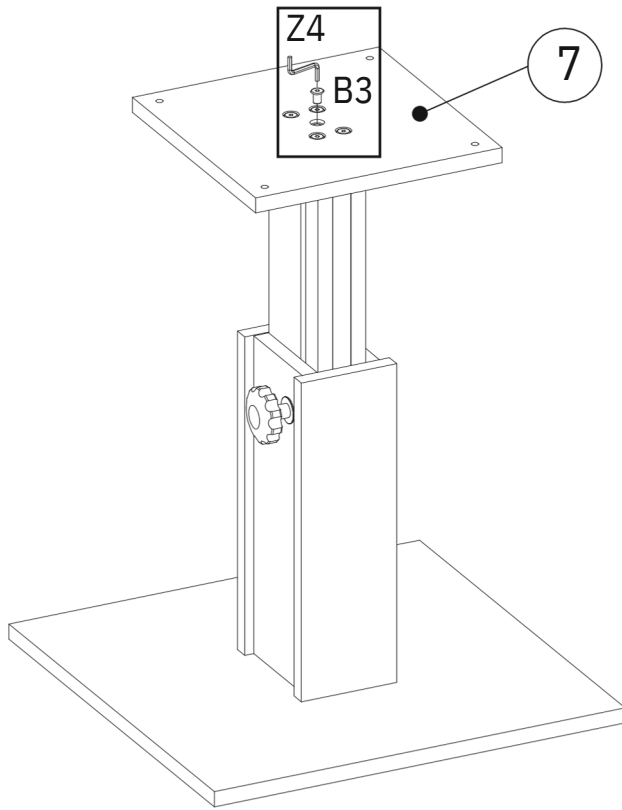
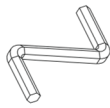
# 13

B3



x1

# Z4



# 14

B25



x4

2

