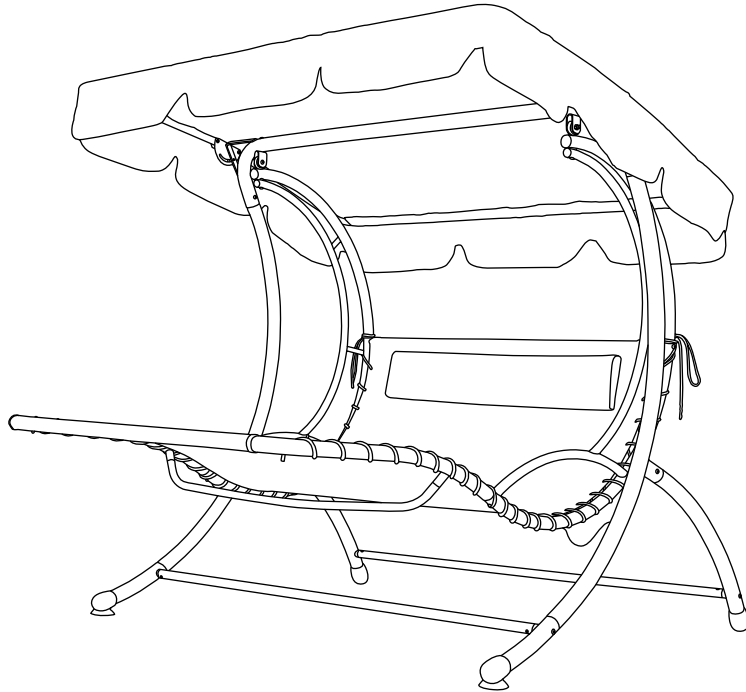


**13380010/01**  
**ASSEMBLY INSTRUCTION**  
**STEEL SWING BED**



**240kg**

**PARTS LIST**

Part	Picture	Qty	Part	Picture	Qty
A		2	K		1
B		2	L-L		1
C		2	L-R		1
D		2	M		2
E		1	N		1
F		2	P		1

G-L		1
G-R		1
H		1
I		1
J		1

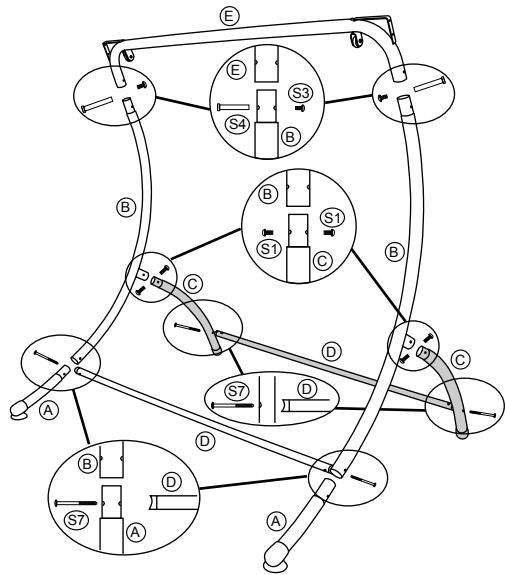
**Accessories**

Part	Picture	Qty	Part	Picture	Qty
S1	(M8x16)	4	S8	(M8x80)	2
S2	(M6x16)	4	Q		4
S3	(M6x10)	2	R		2
S4	(M8x50)	2	T		2
S5	(M6x35)	2	U		2
S6	(M8x60)	2	V1		2
S7	(M8x70)	4			

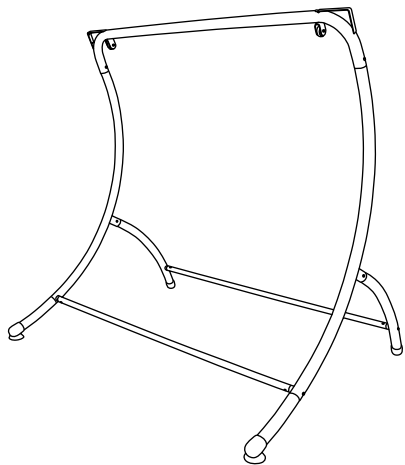
3

2

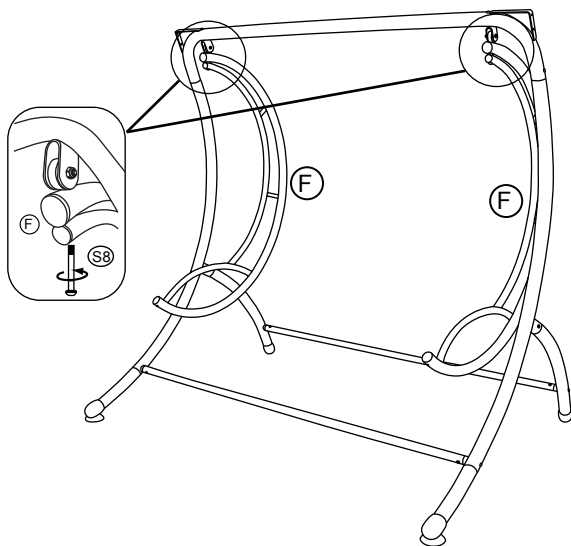
1



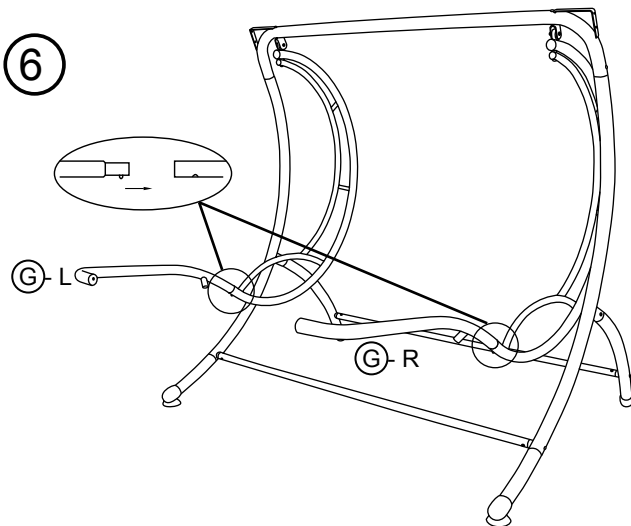
4



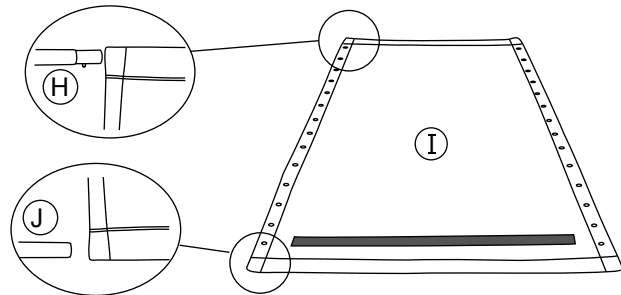
5



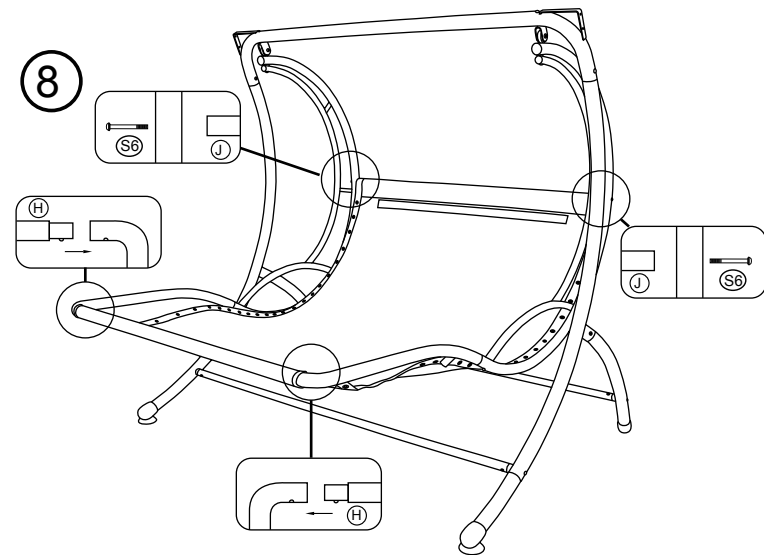
6



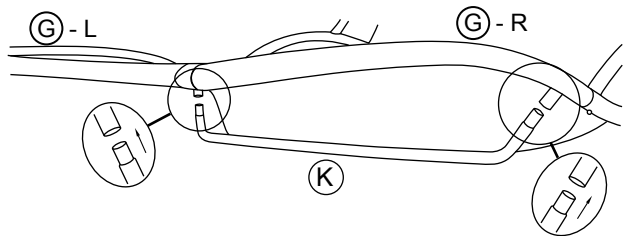
7



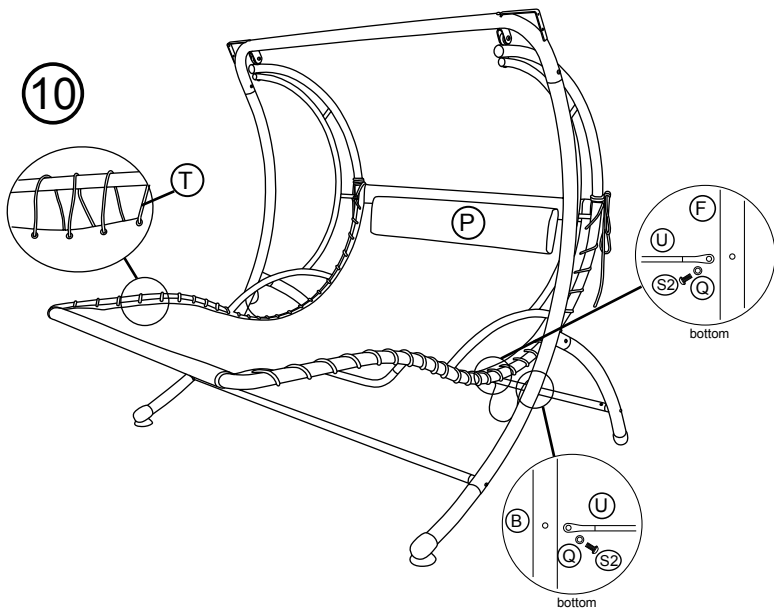
8



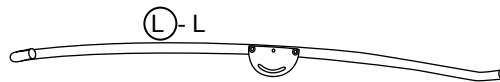
9



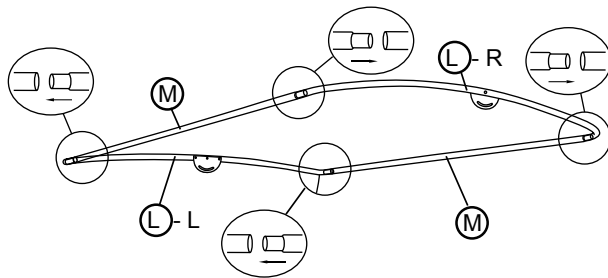
10



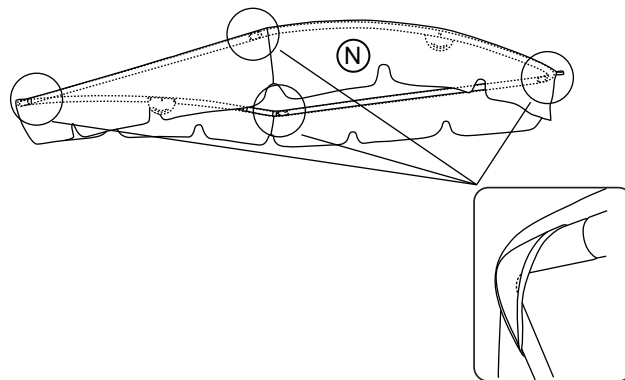
11



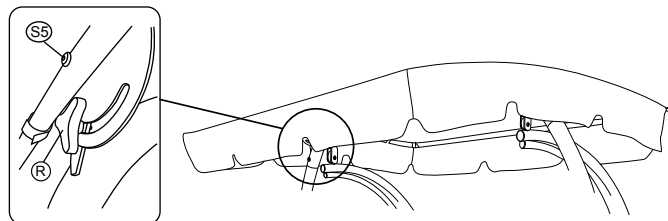
12



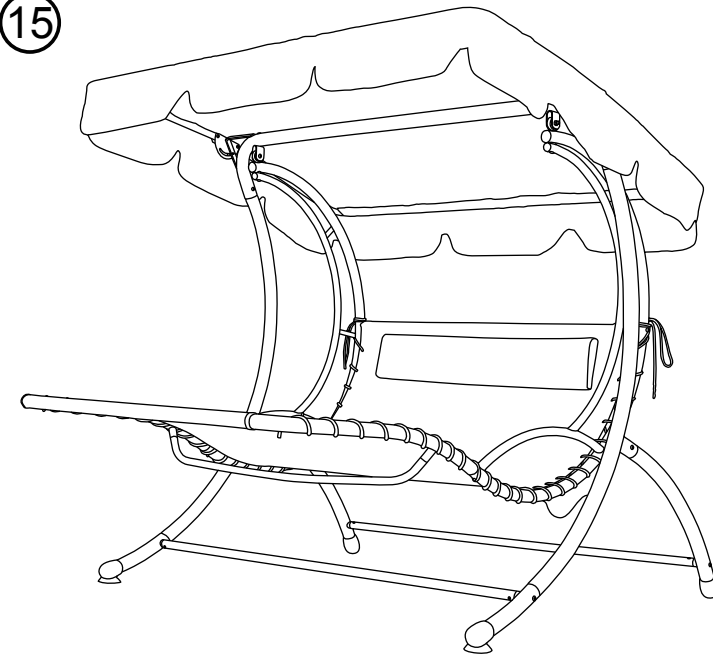
13



14



15



**Attention!**

Tighten the rope before using.