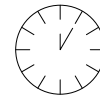
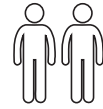


002J0001/01



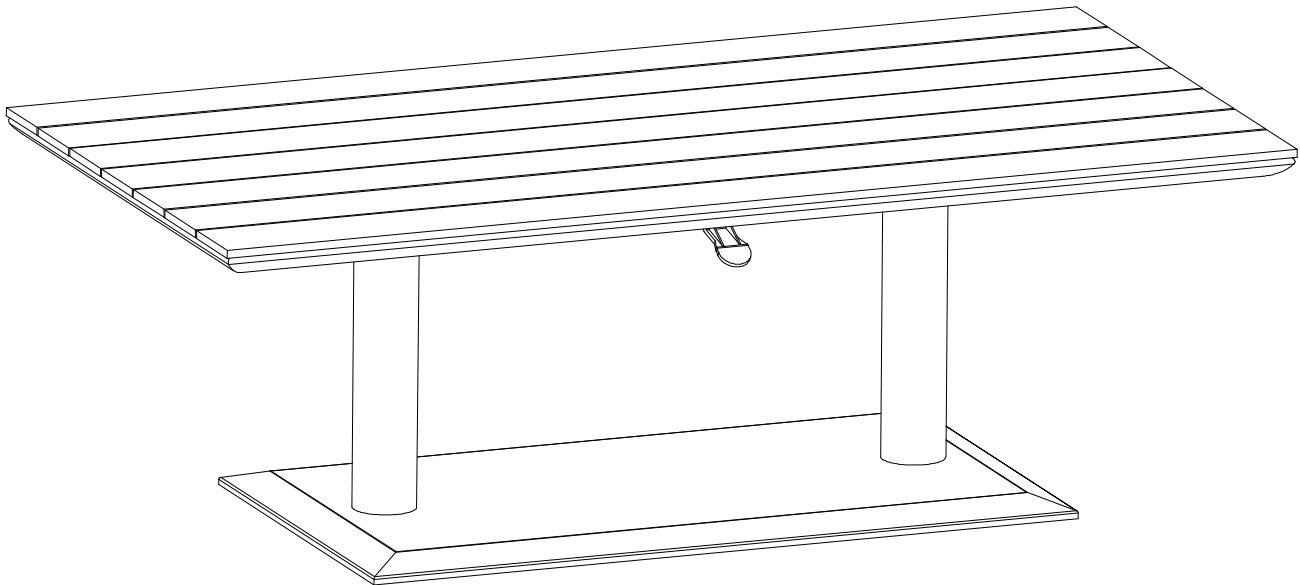
5 min

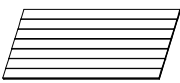
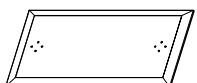
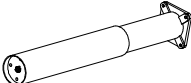
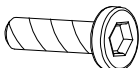
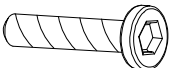

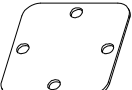




x2

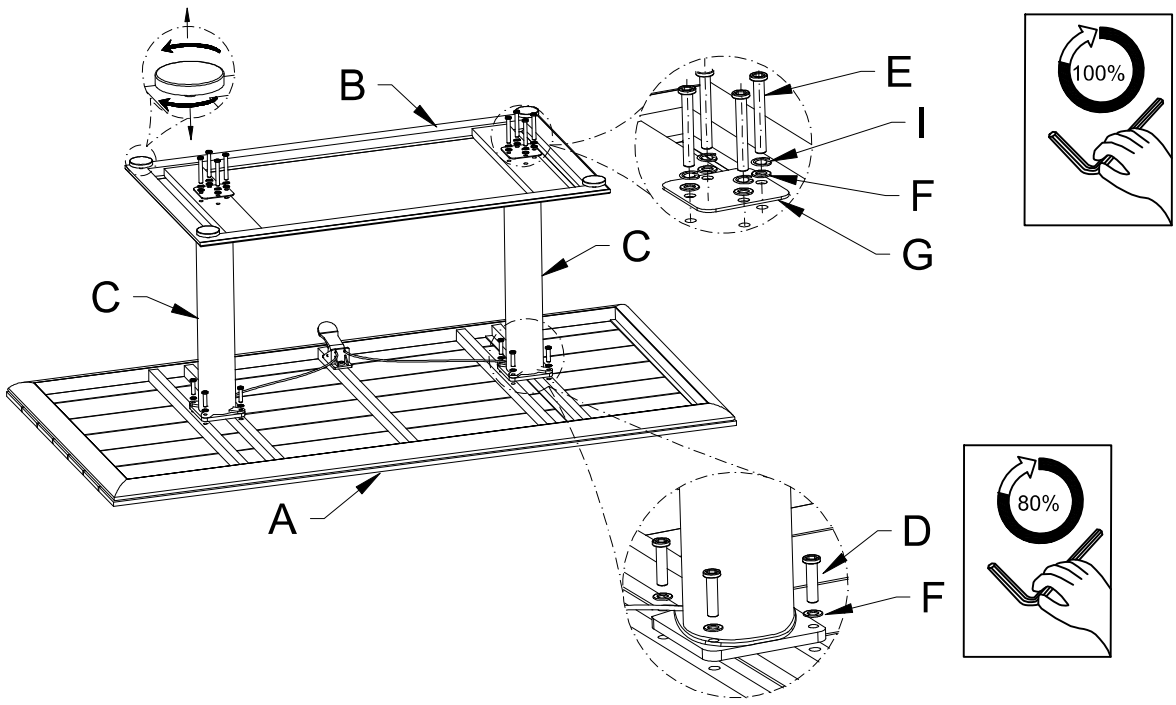


60Kg



| | | | | | | | | | | | |
|---|-----------|---|-----------|---|-----------|---|-----------|---|-----------|---|------------|
| A | x1 | B | x1 | C | x2 | D | x8 | E | x8 | F | x16 |
|  | |  | |  | |  | |  | |  | |
| | | | | | | 1/4"x30mm | | 1/4"x55mm | | Ø14 MM | |
| G | x2 | H | x1 | I | x8 | | | | | | |
|  | |  | |  | | | | | | | |





| | | | | | | | | | |
|---|----|---|-----|---|----|---|----|-----------|---------------------|
| A | x1 | B | x1 | C | x2 | D | x8 | | |
| | | | | | | | | 1/4"x30mm | |
| E | x8 | F | x16 | G | x2 | H | x1 | I | x8 |
| | | | | | | | | | |
| | | | | | | | | | 1/4"x55mm Ø14 MM |

