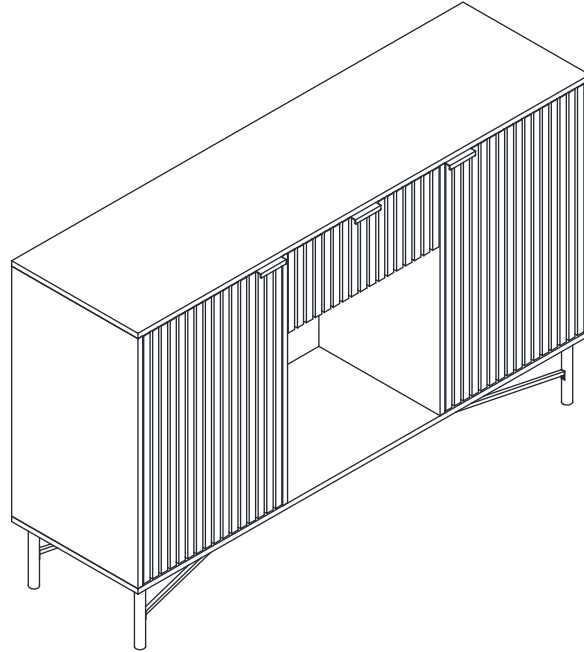
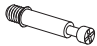


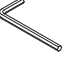



















ASSEMBLING INSTRUCTION

26870345-01

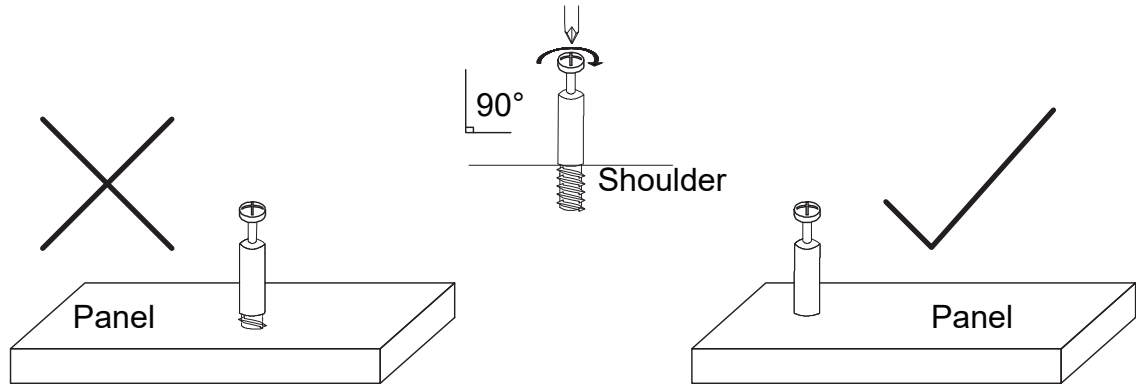


Hardware:

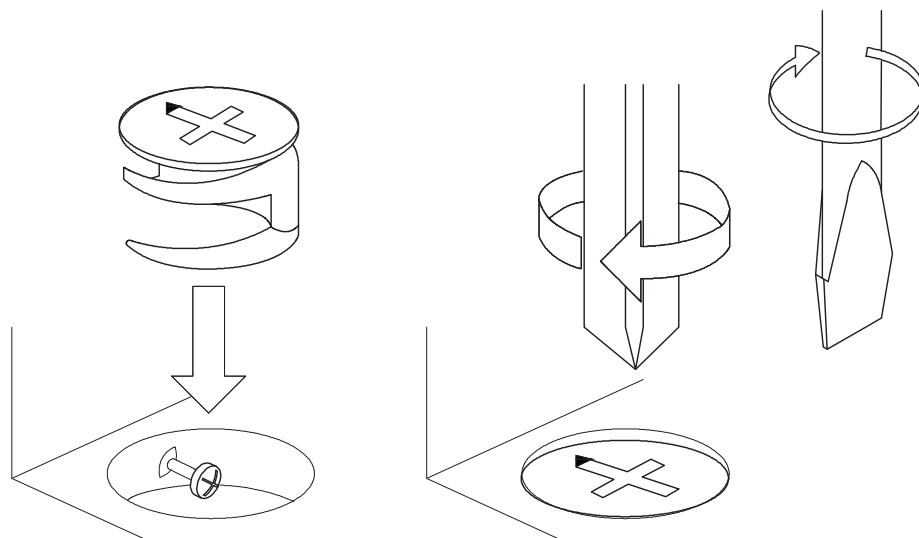
Letter	Piece	Number	Letter	Piece	Number
A	 6x35mm	14pcs	L		8sets
B	 12x15mm	10pcs	M		1pc
C	 8x30mm	18pcs	N		2pcs
D	 9.5x15mm	4pcs	P		3pcs
E		4pcs	Q		2pcs
F		2pcs	R		8pcs
G	 3x12mm	12pcs	S		8sets
H	 6x12mm	4pcs	T		8pcs
I	 6x30mm	11pcs	U	 6x40mm	4pcs
J		8pcs	V	 4x12mm	24pcs
K	 4x30mm	4pcs			

Using Cam Lock and Quickfit

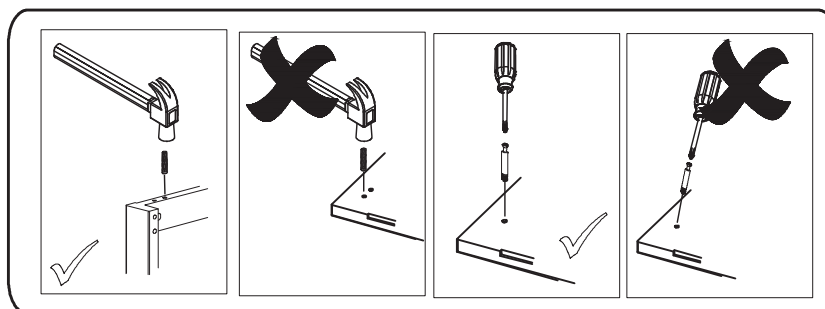
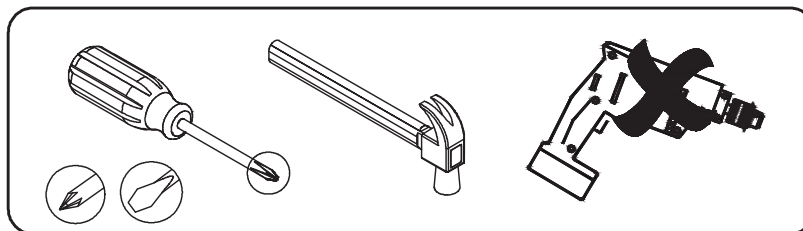
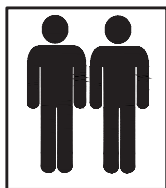
QUICKFIT



CAM LOCK



Tools Required



CAUTION: Do not use tools other than those required, as this can damage your new item.

NOTE

- Please check you have all hardware before assembling.
- If you are missing any hardware, please contact the store of purchase.
- Please ensure you have the name of the item, required hardware part and quantity.
- Please retain your receipt as proof of purchase to validate your warranty.

CAUTION

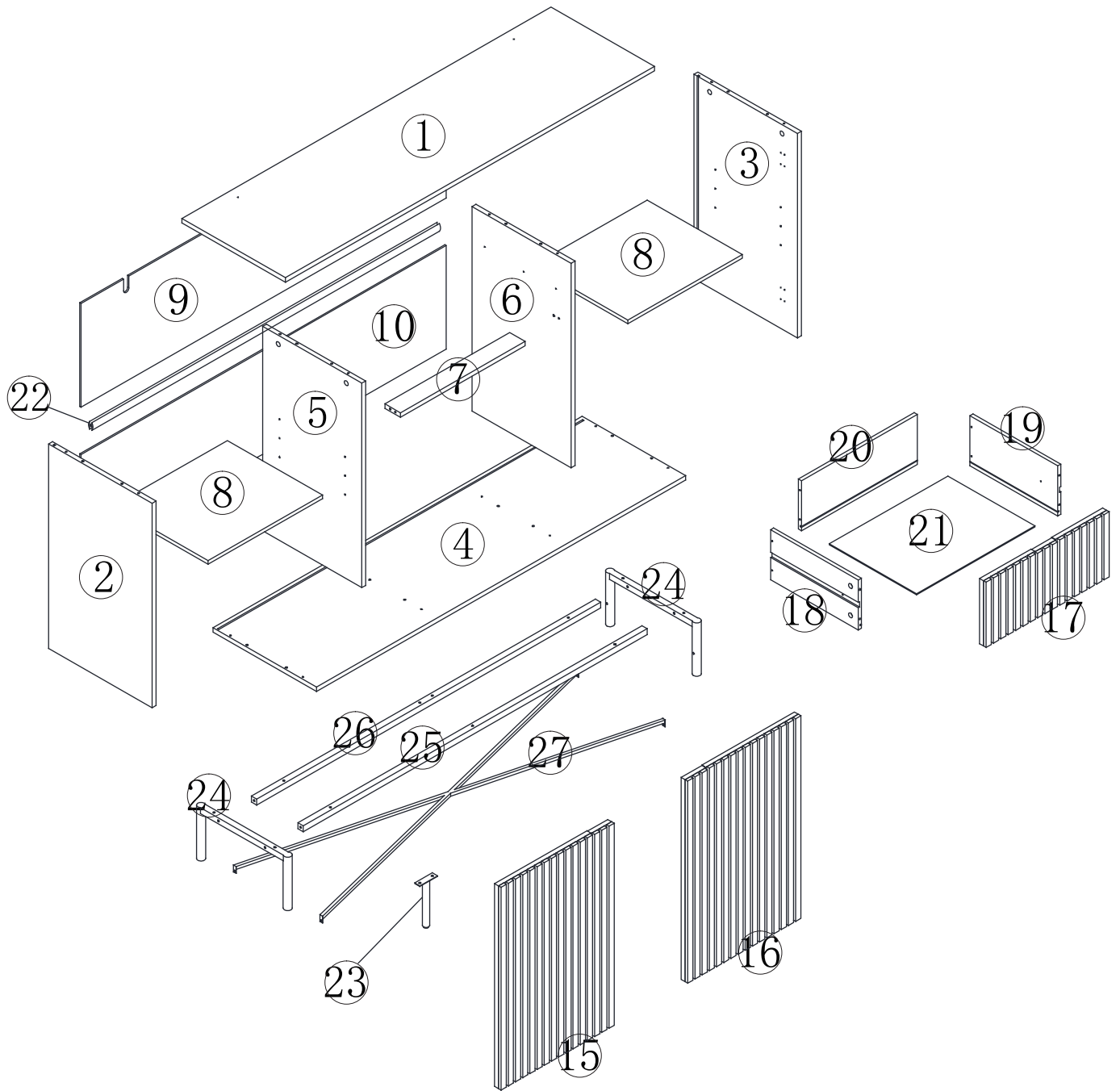
- Do not tighten screws before all screws are in the right place.
- Do not use this product unless all bolts, screws and knobs are firmly secured.
- Check that all bolts, screws and knobs are securely tightened at least every 4 months.

WARNING

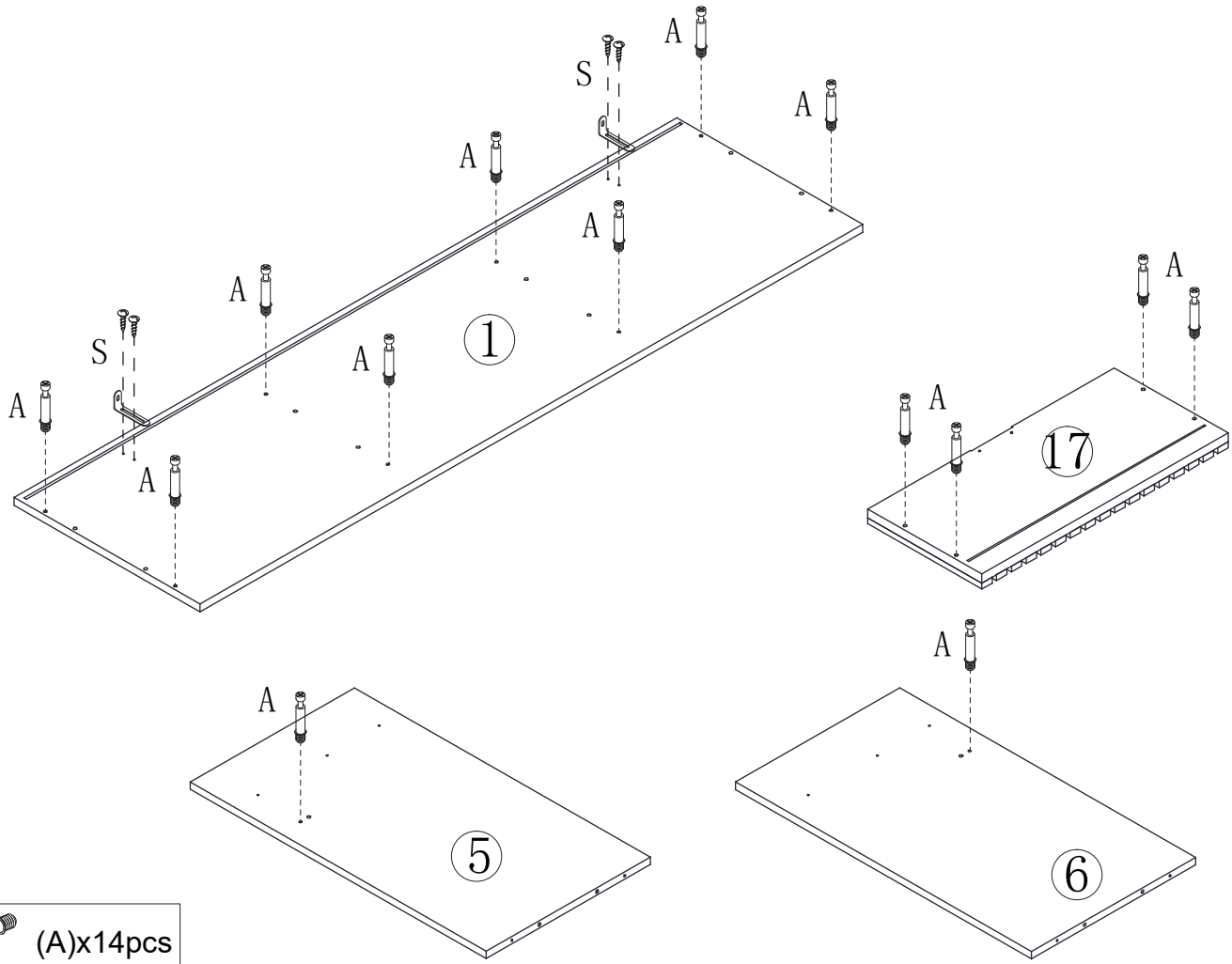
- If parts are missing, broken, damaged or worn stop using the product until all repairs are made using manufacturer authorised parts.
- Failure to follow these warnings could result in serious injury.

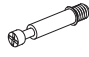

DANGER

- CHILDREN MUST BE SUPERVISED.

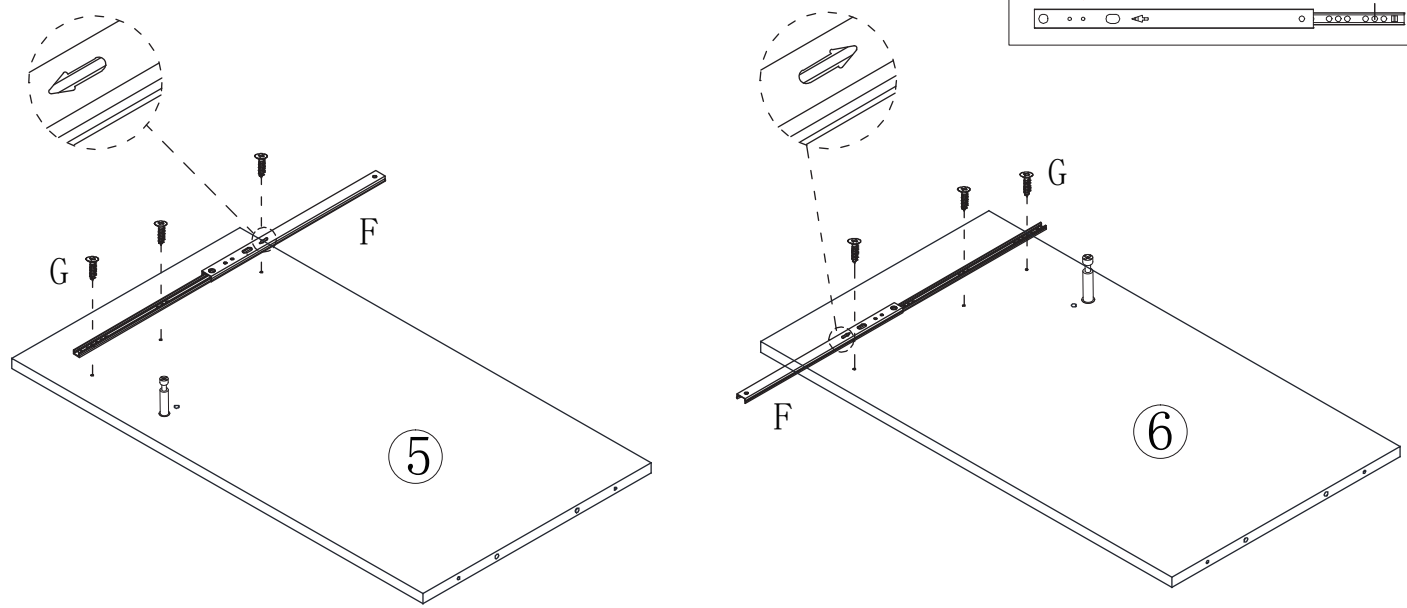
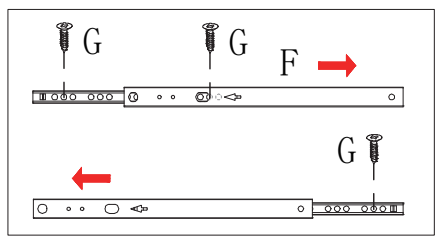



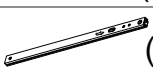
①



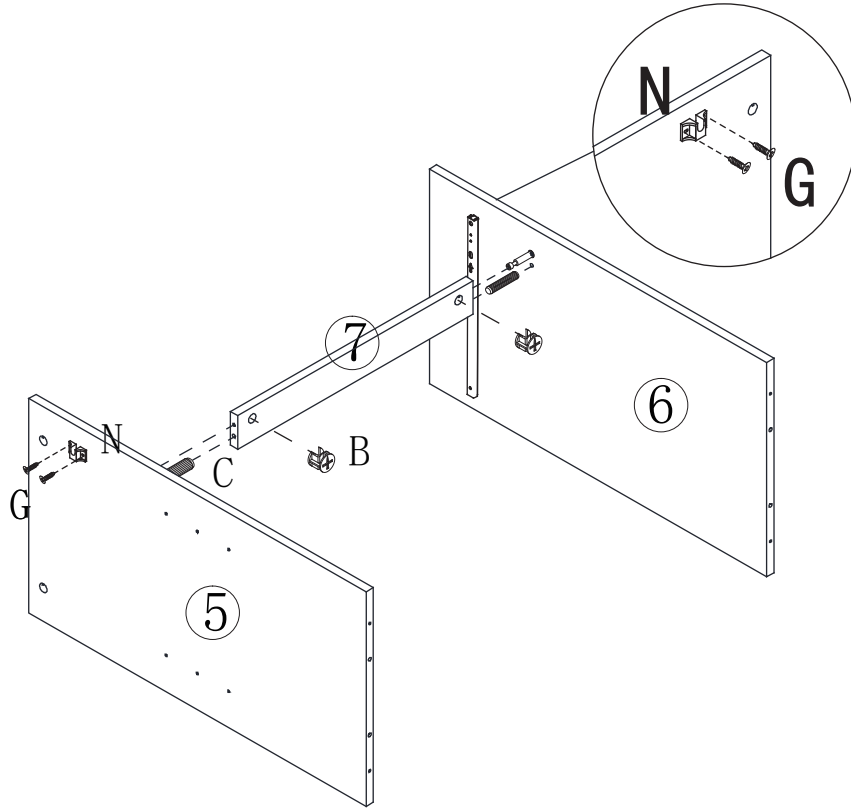
-  (A)x14pcs
-  (S)x2sets





②



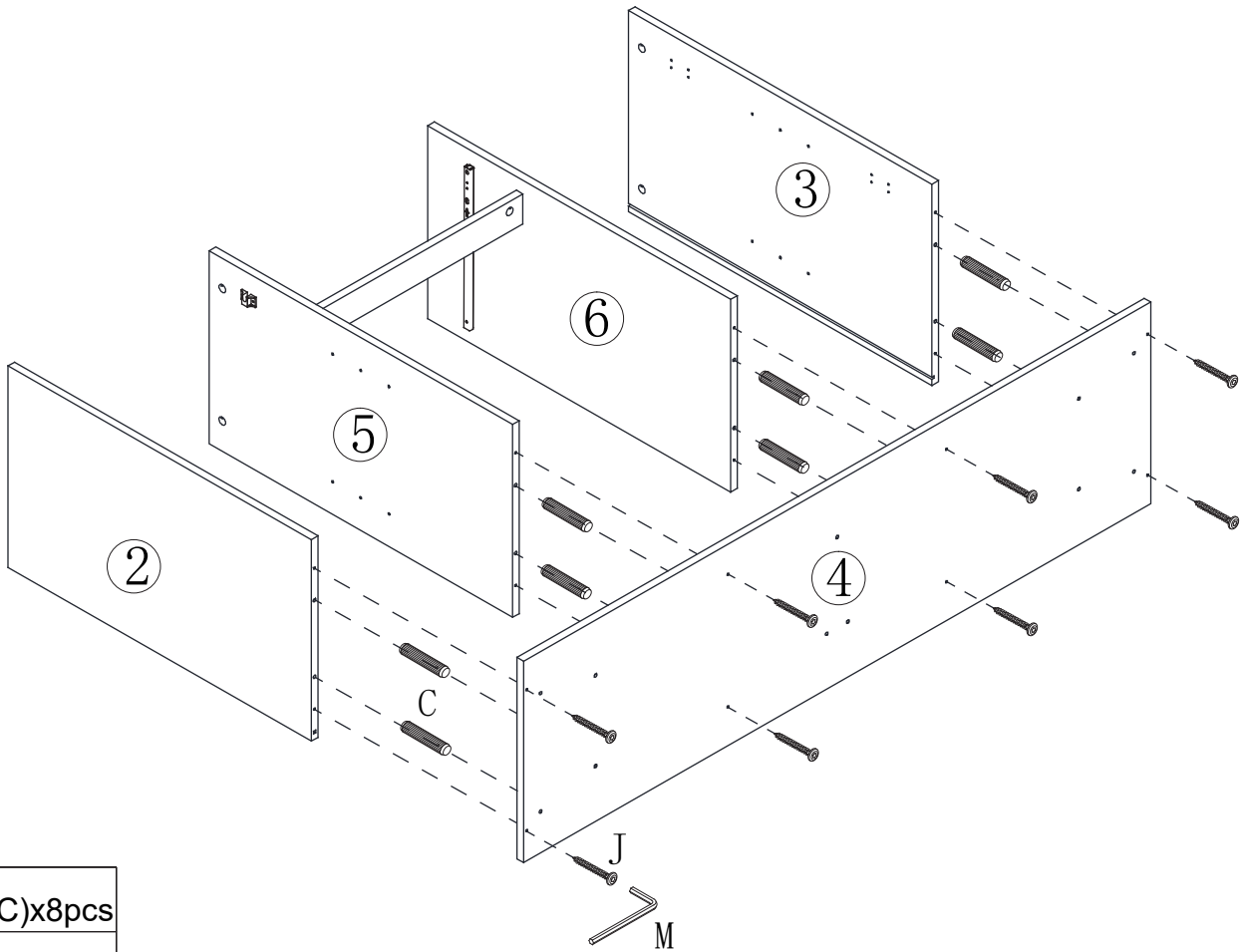
-  (G)x6pcs
-  (F)x2pcs




3



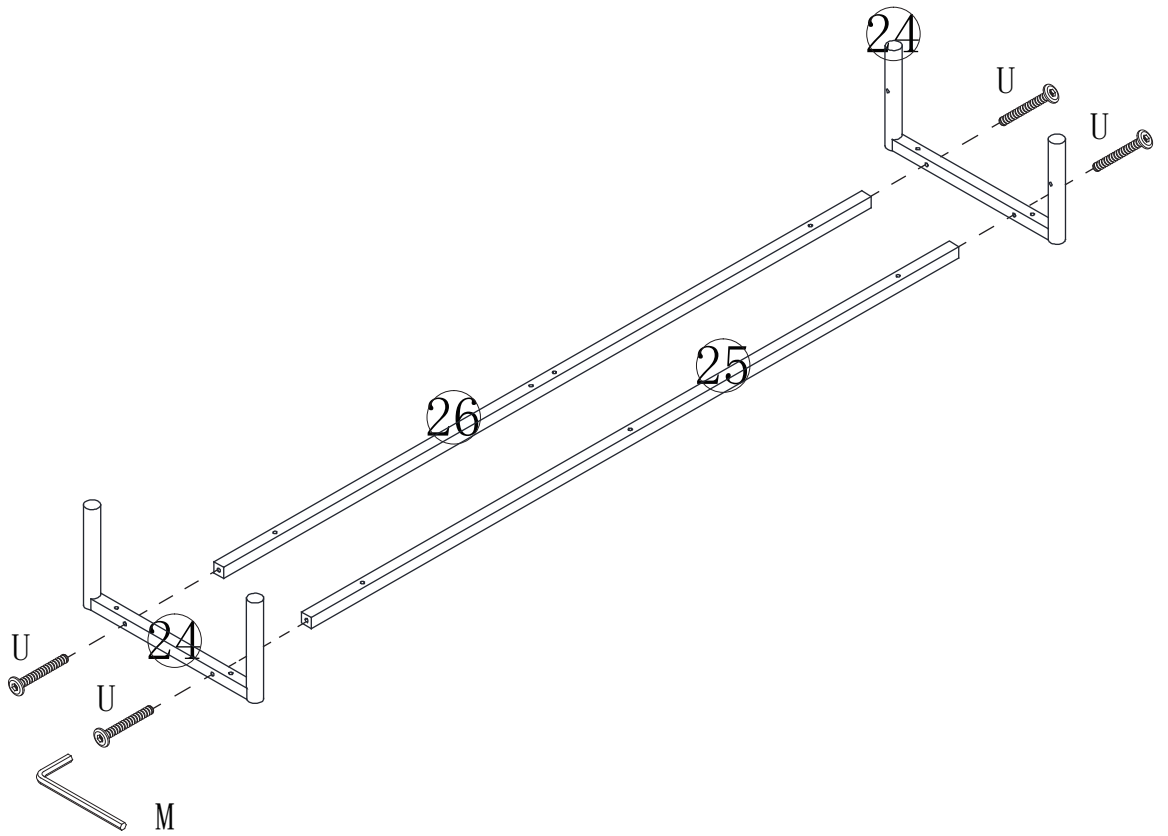
-  (C)x2pcs
-  (B)x2pcs
-  (G)x4pcs
-  (N)x2pcs



4



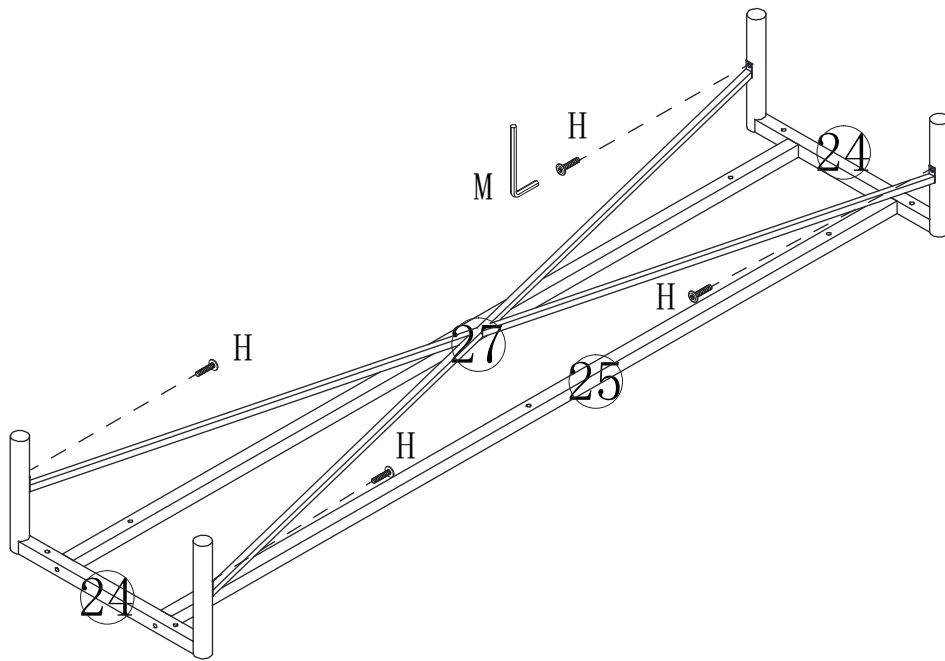
-  (C)x8pcs
-  (J)x8pcs
-  (M)x1pc



⑤



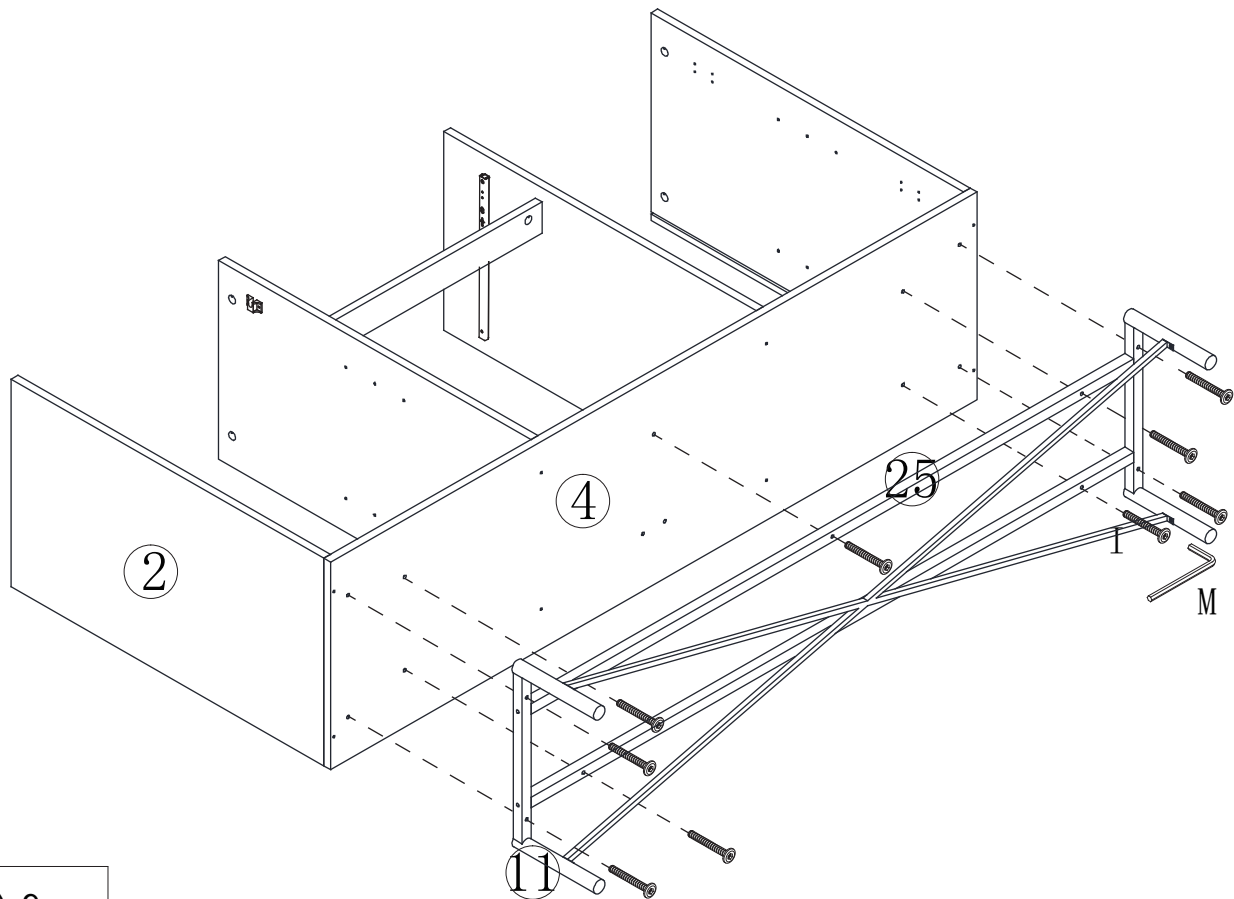
- | | |
|--|----------|
|  | (U)x4pcs |
|  | (M)x1pc |

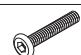
⑥




- | | |
|--|----------|
|  | (H)x4pcs |
|  | (M)x1pc |

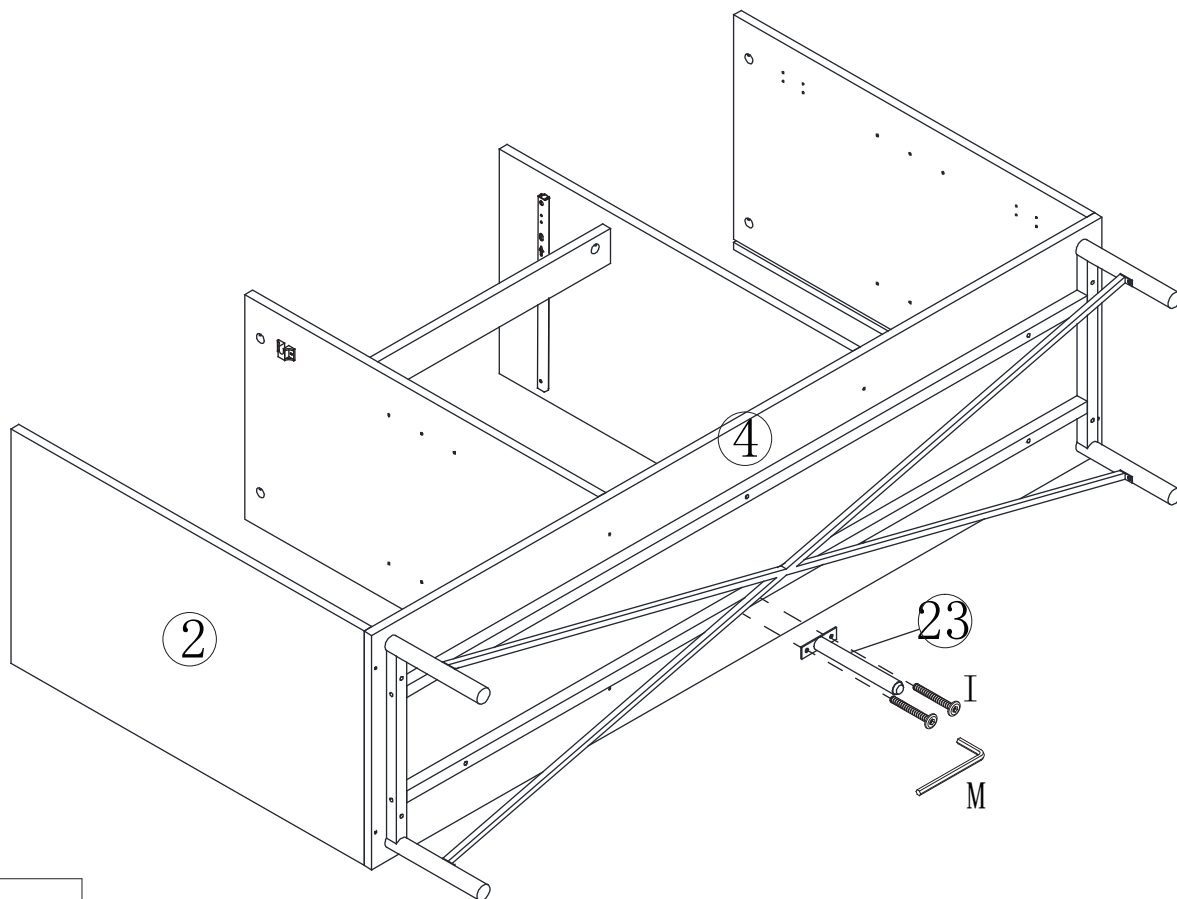
7

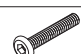



 (l)x9pcs

 (M)x1pc

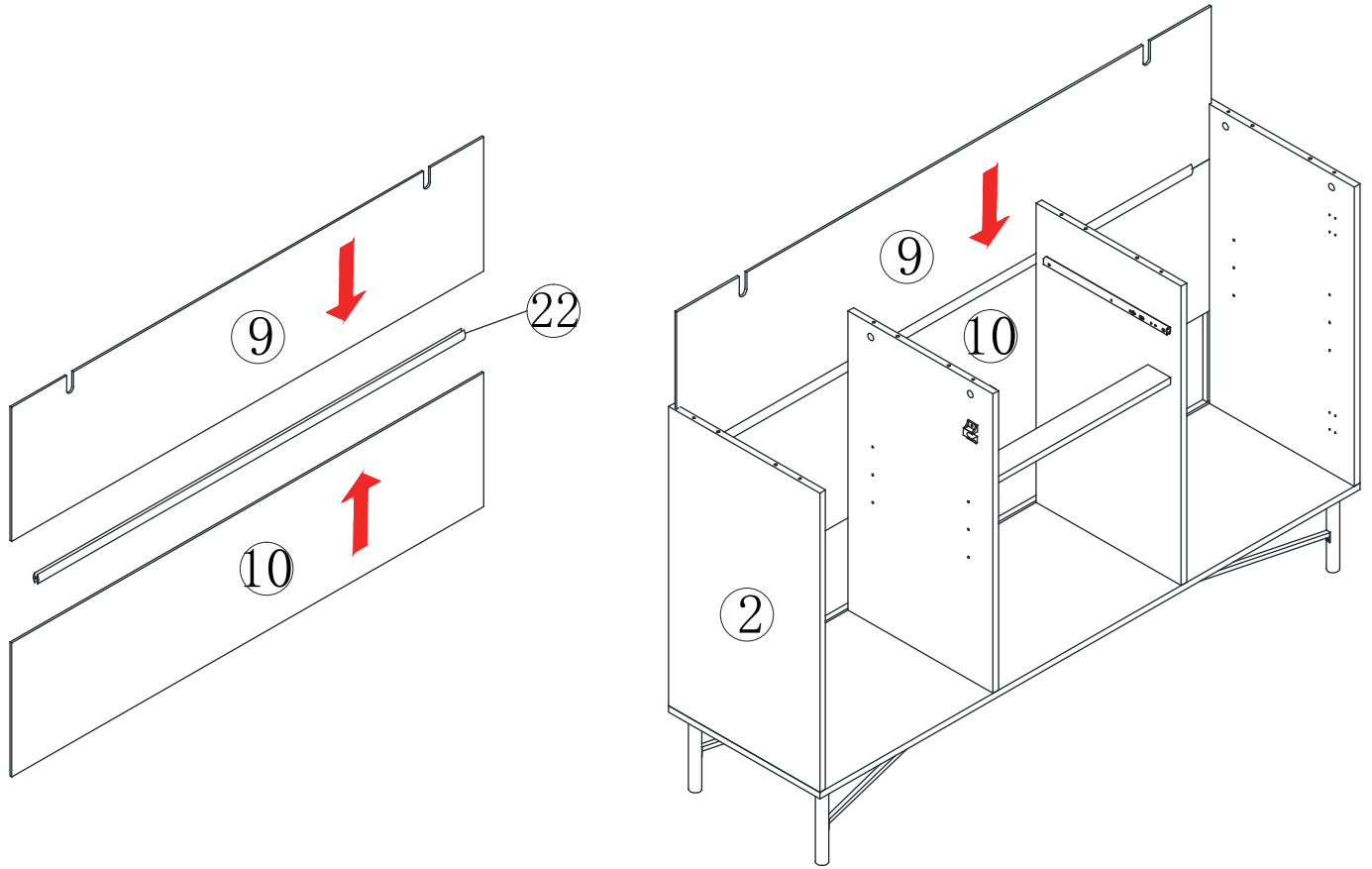
8



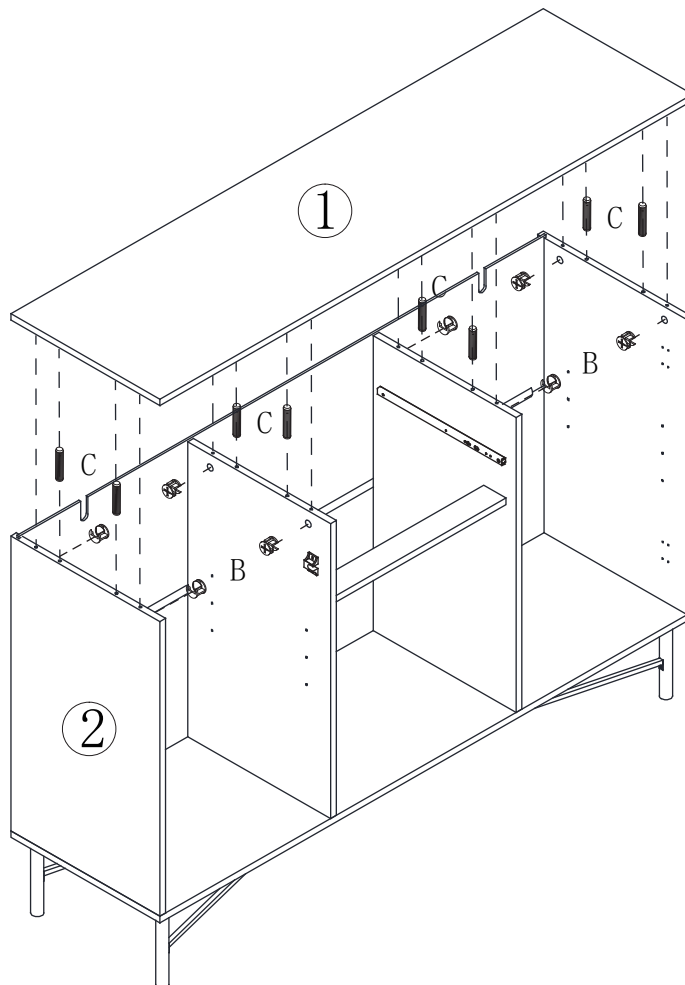
 (l)x2pcs


 (M)x1pc


9



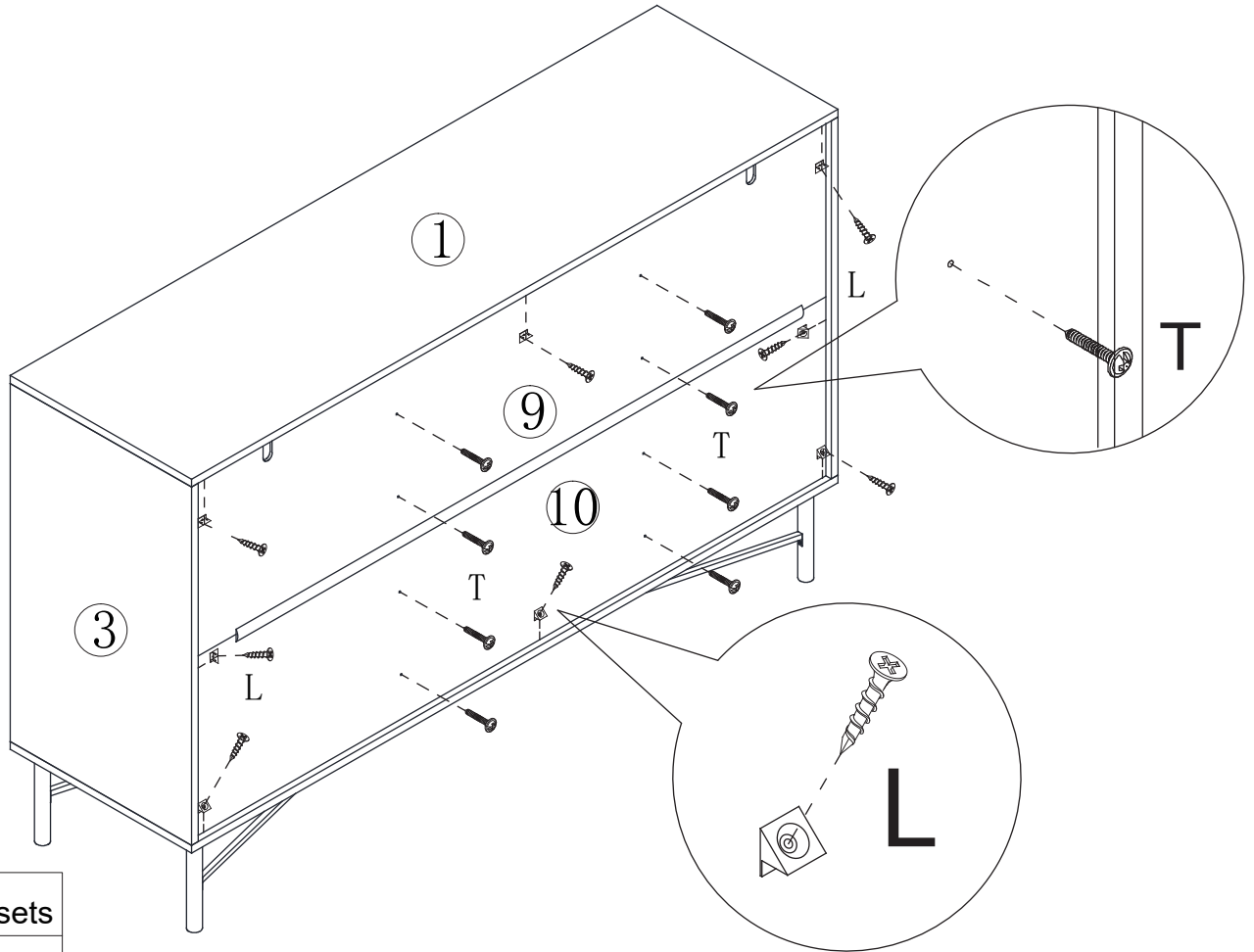
10





 (C)x8pcs

 (B)x8pcs

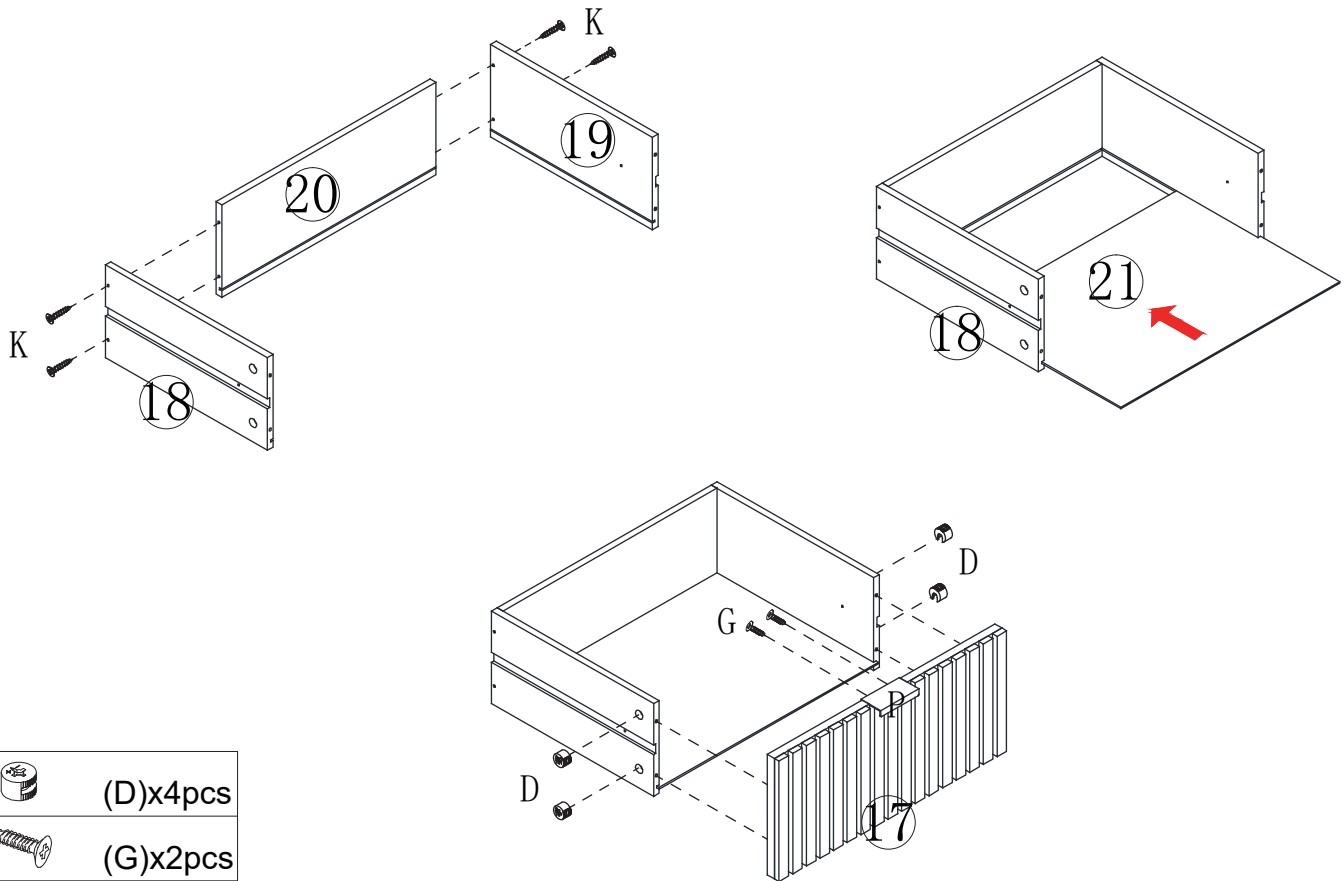
11





 (L)x8sets


 (T)x8pcs

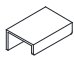
12



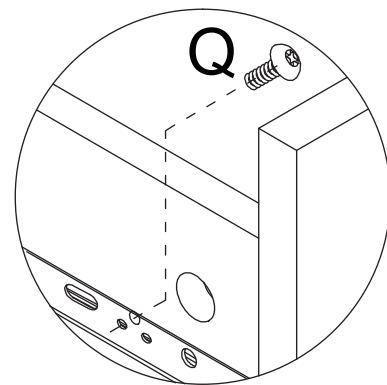
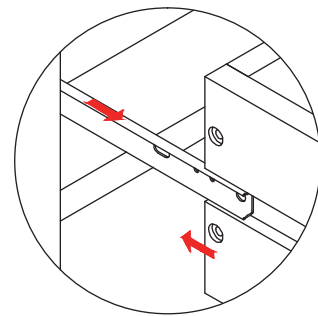
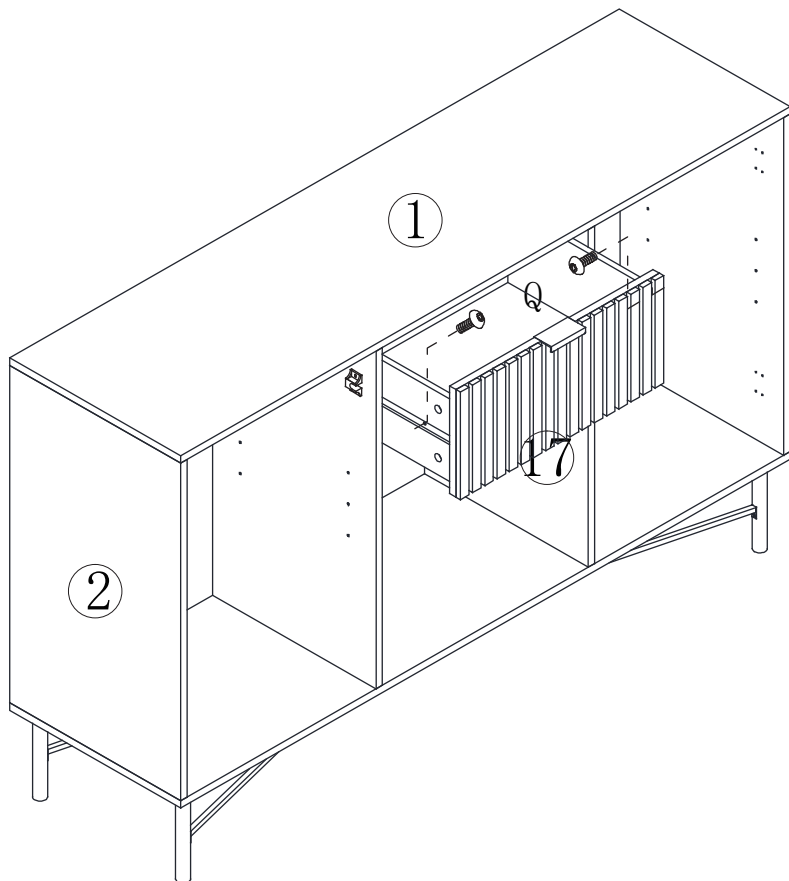
 (D)x4pcs

 (G)x2pcs

 (K)x4pcs

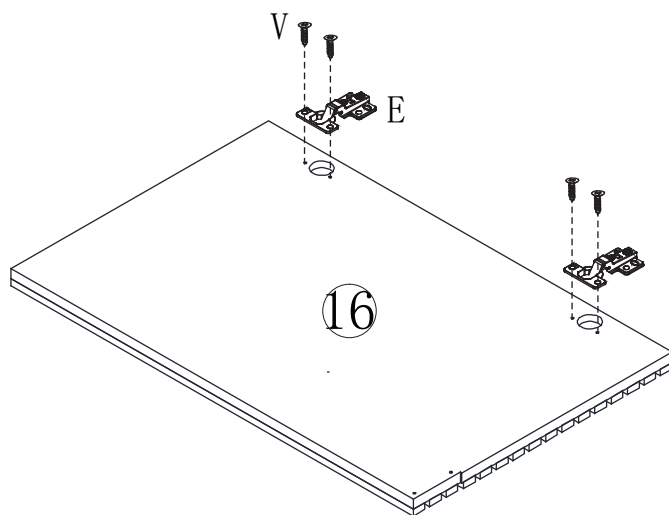
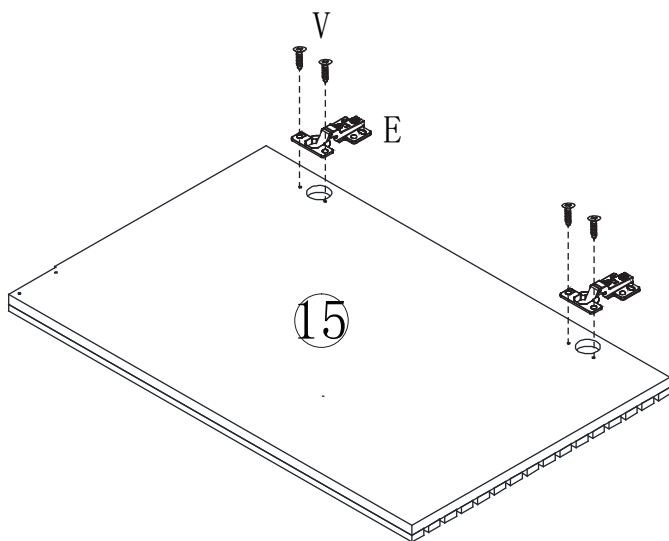
 (P)x1pc

15



(Q)x2pcs

16

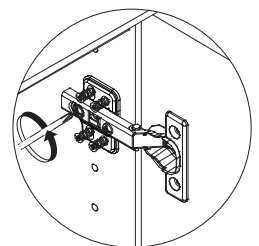
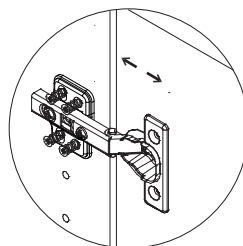
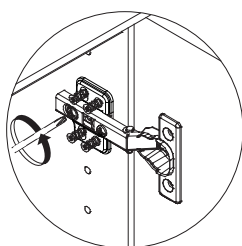
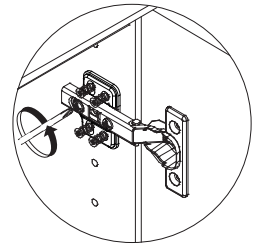
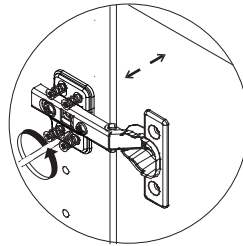
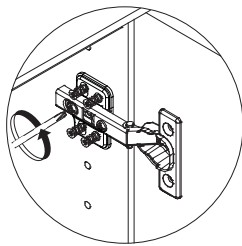
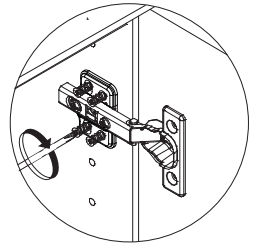
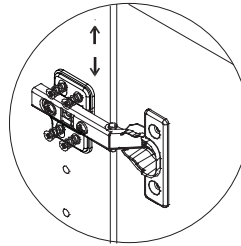
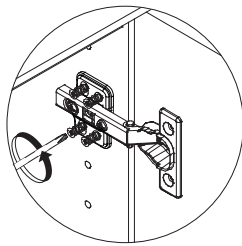
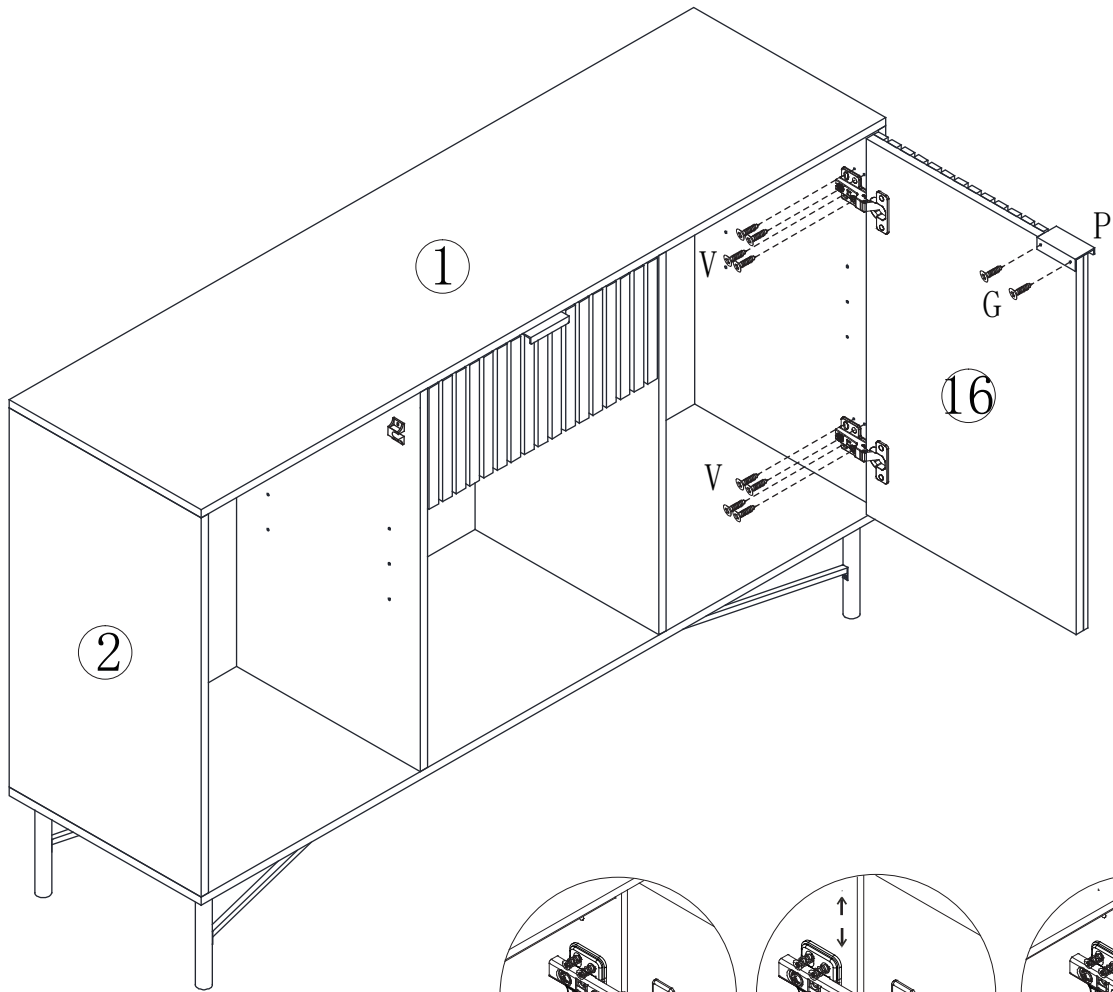


(V)x8pcs



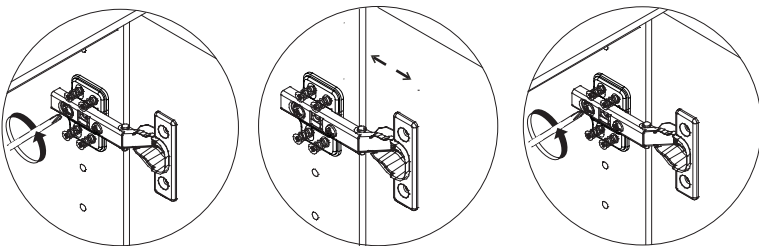
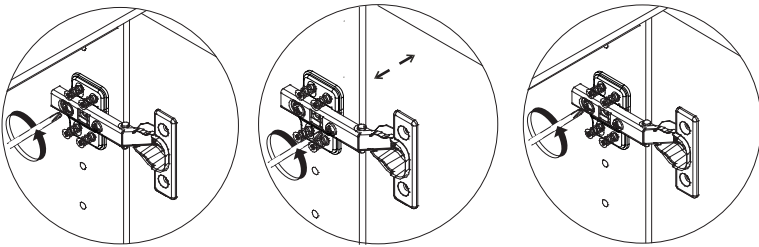
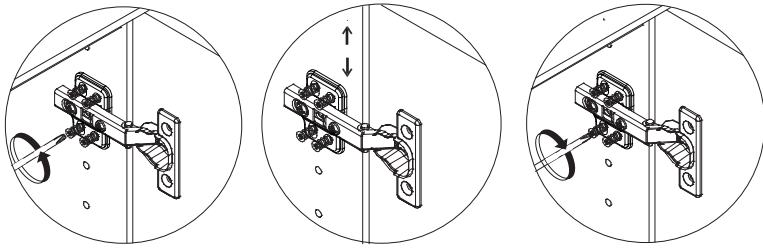
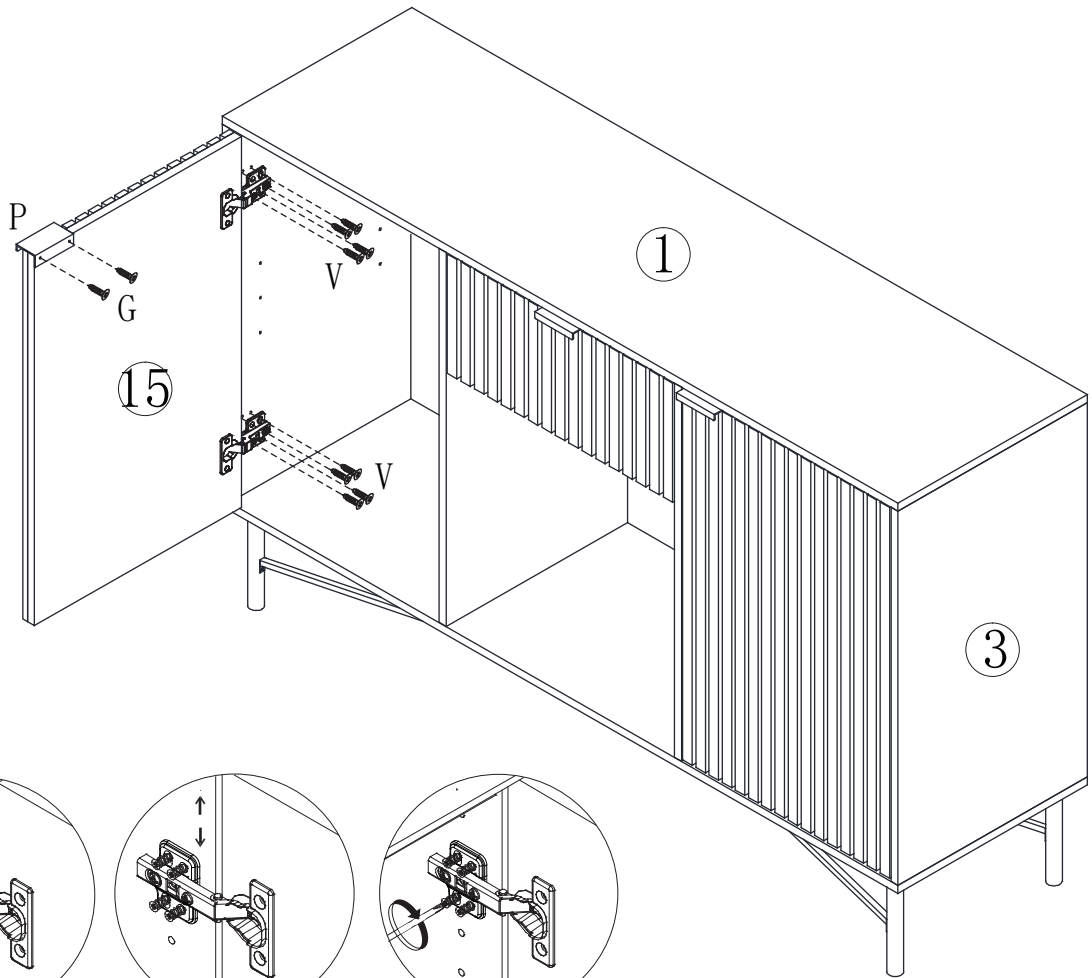
(E)x4pcs



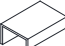
13



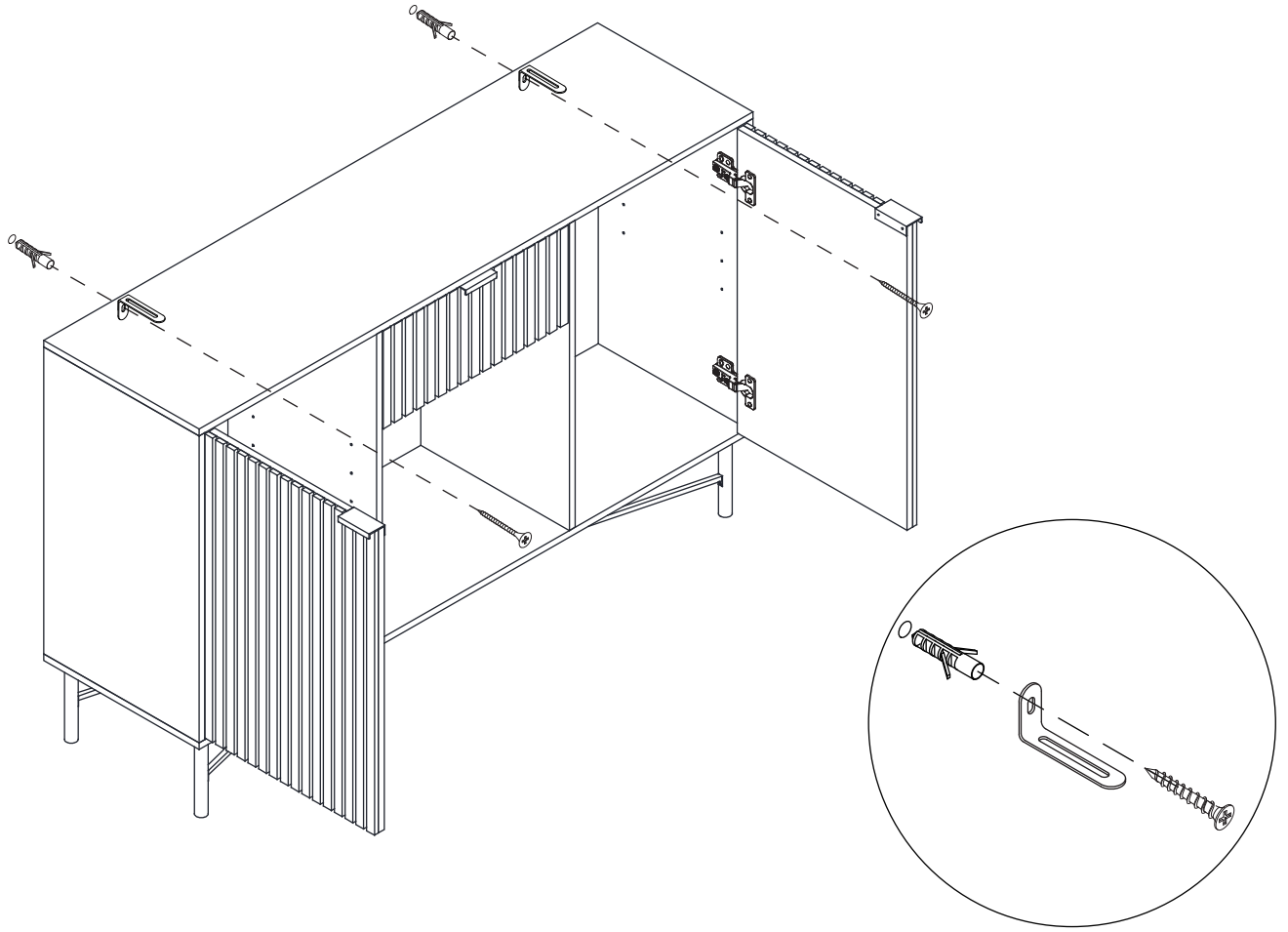
	(G)x2pcs
	(V)x8pcs
	(P)x1pc

14

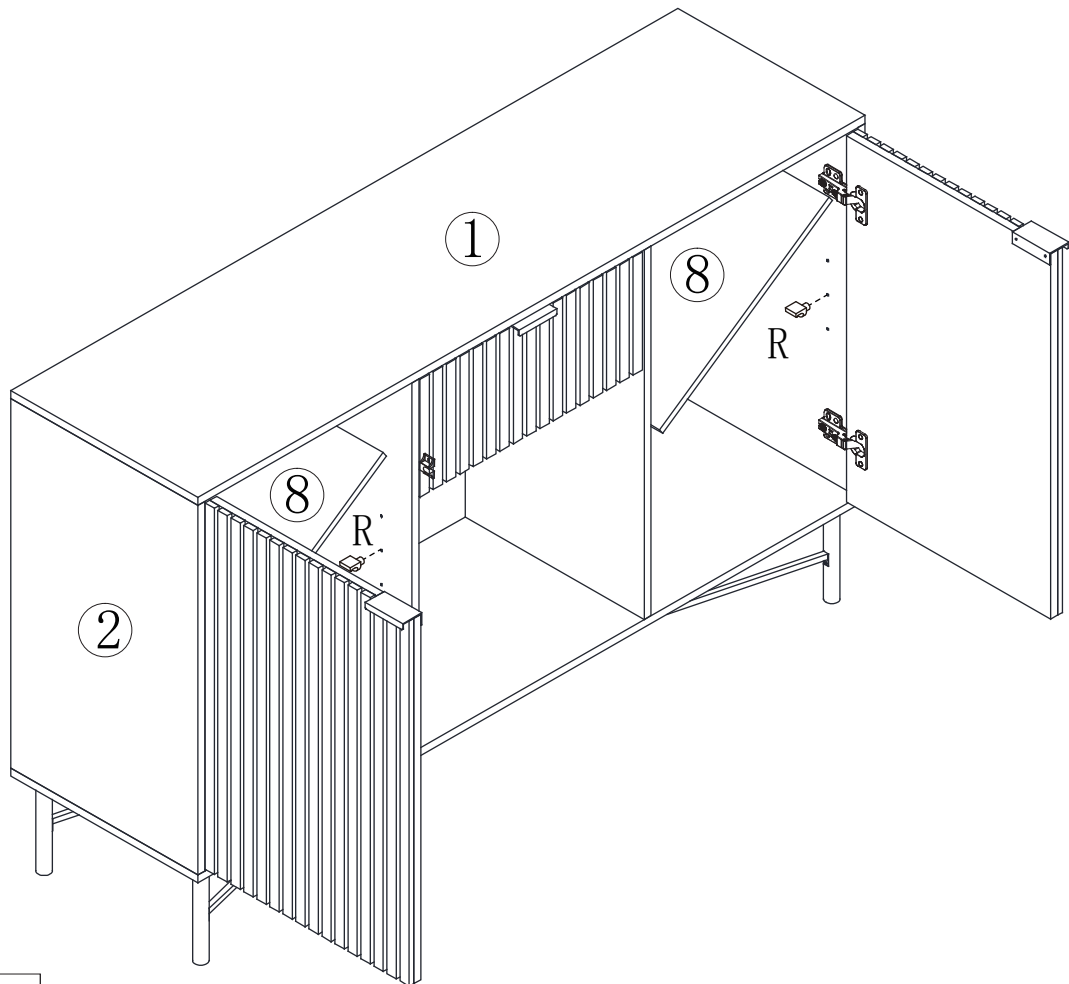


	(G)x2pcs
	(V)x8pcs
	(P)x1pc

17



16



(R)x8pcs