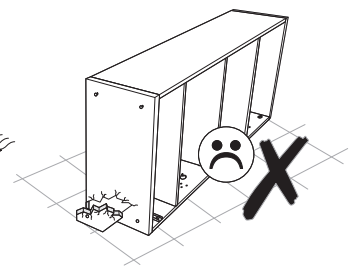
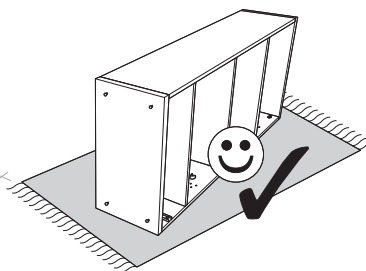
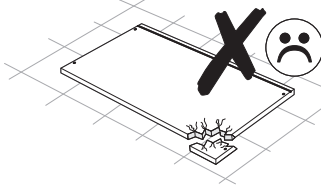
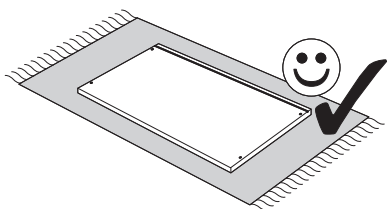
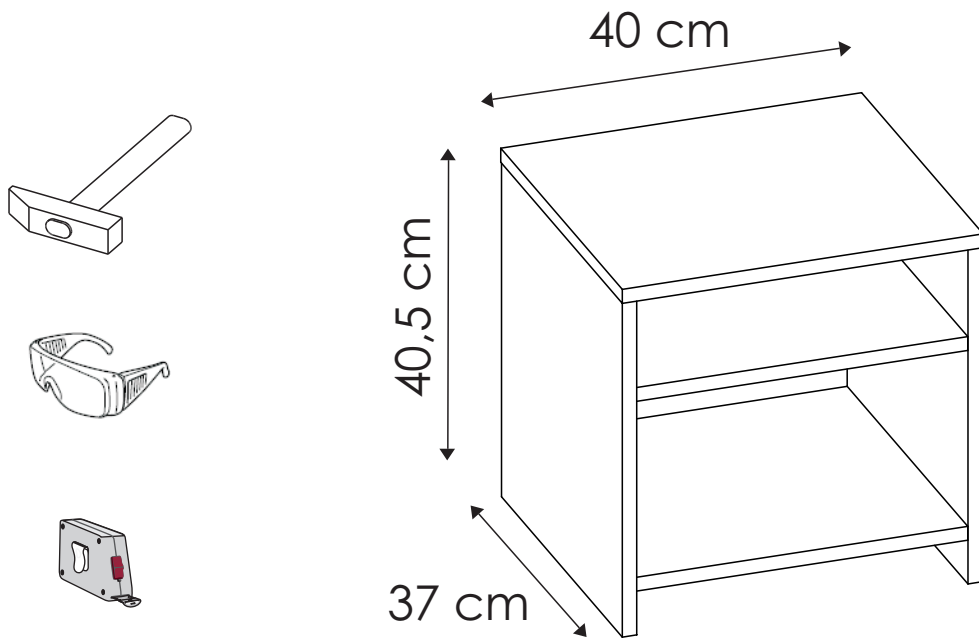
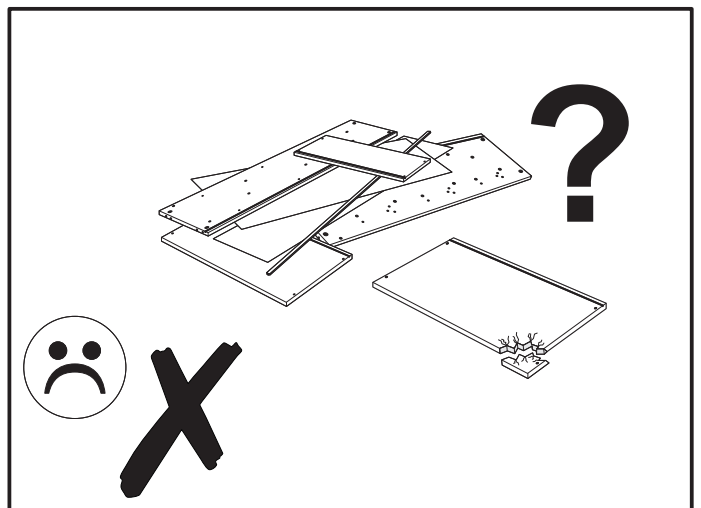
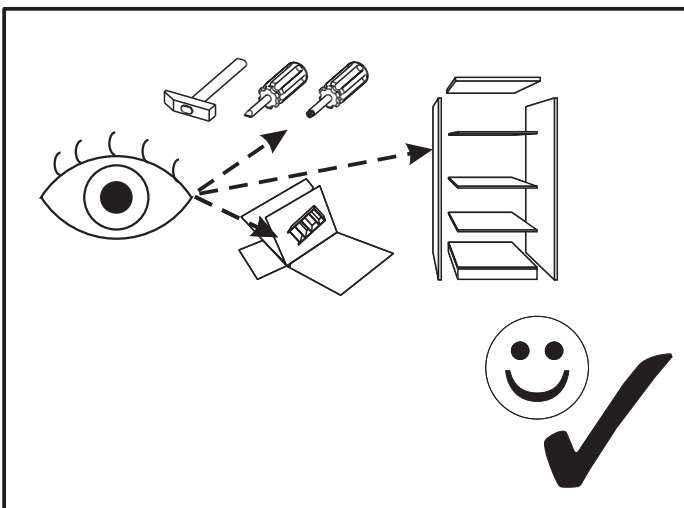
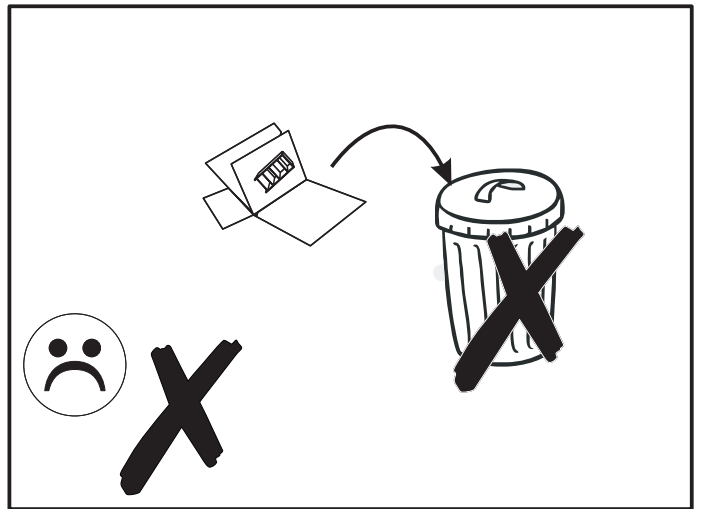
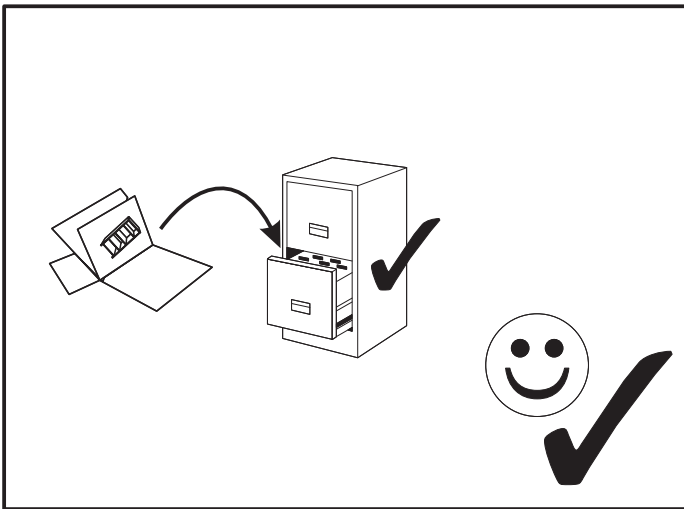
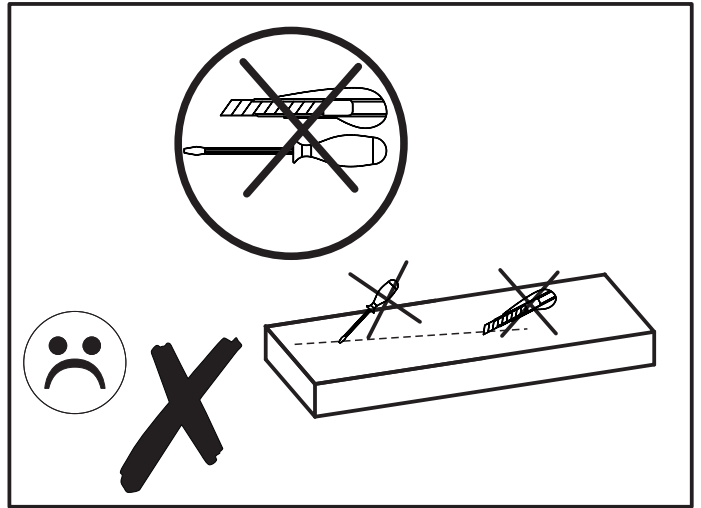
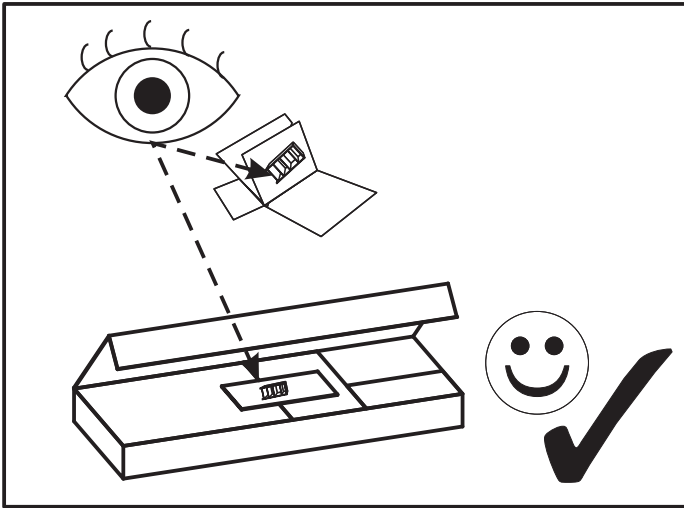
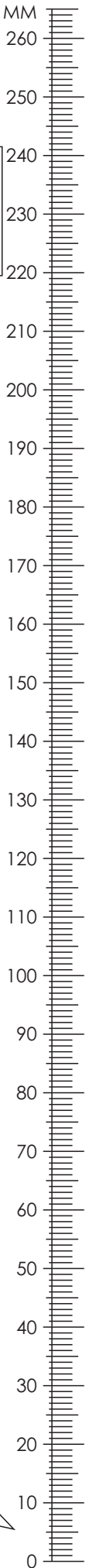



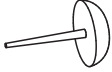

LUCA LCT01

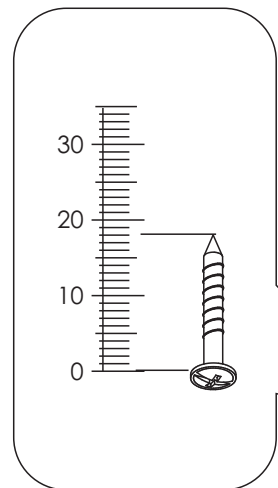




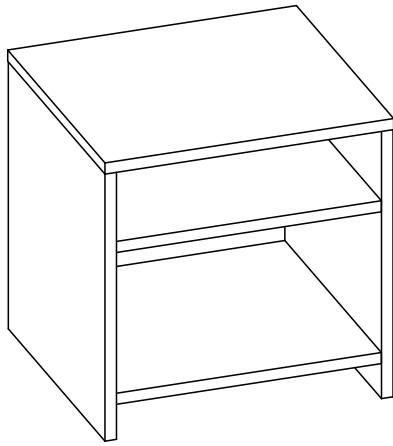
LUCA LCT01



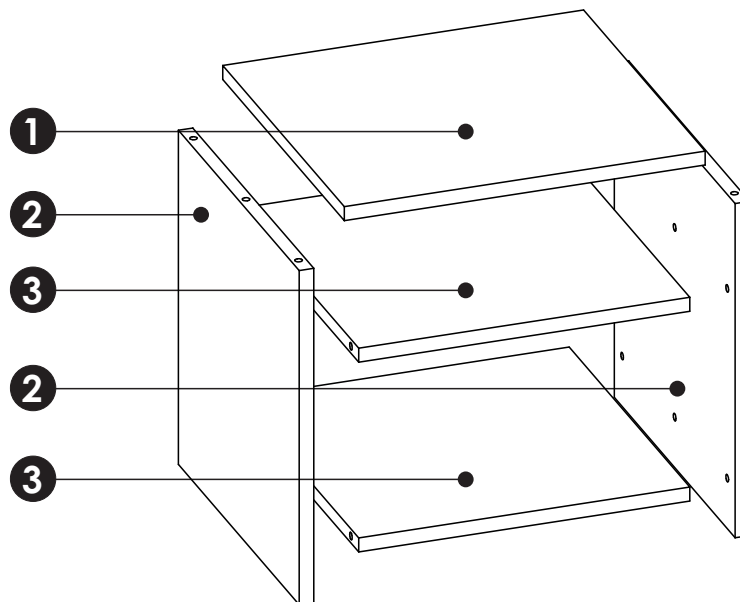
<p>A1 x18 $\varnothing 8 \times 35$ mm</p> 	<p>O2 x4</p> 	<p>S x1</p> 
--	---	--

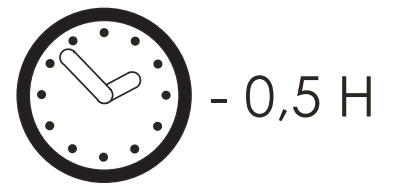
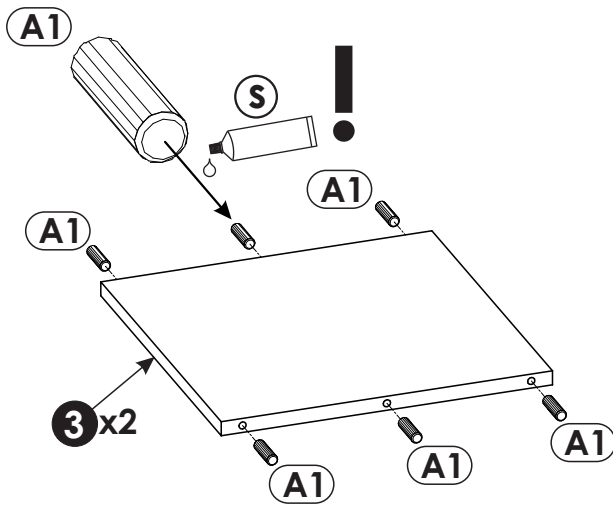
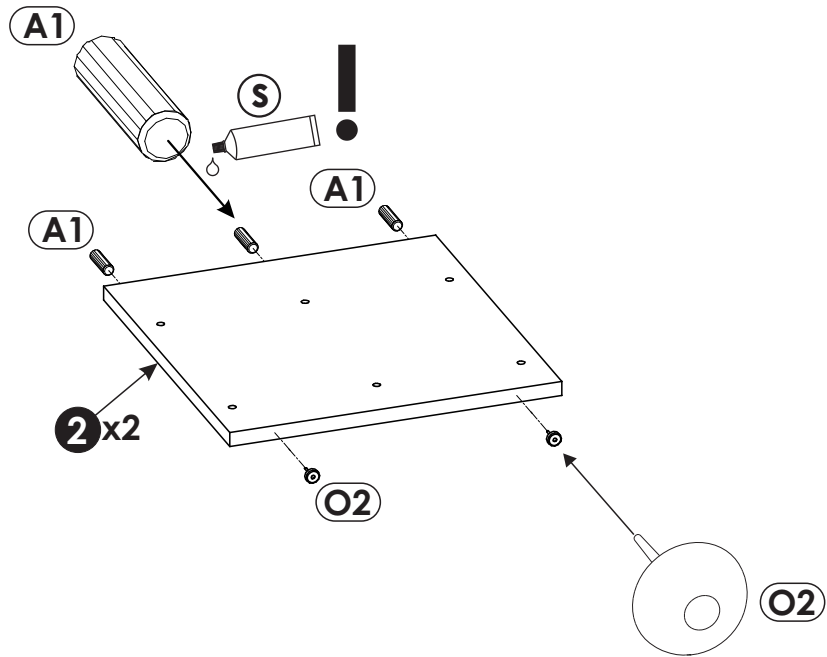


LUCA LCT01

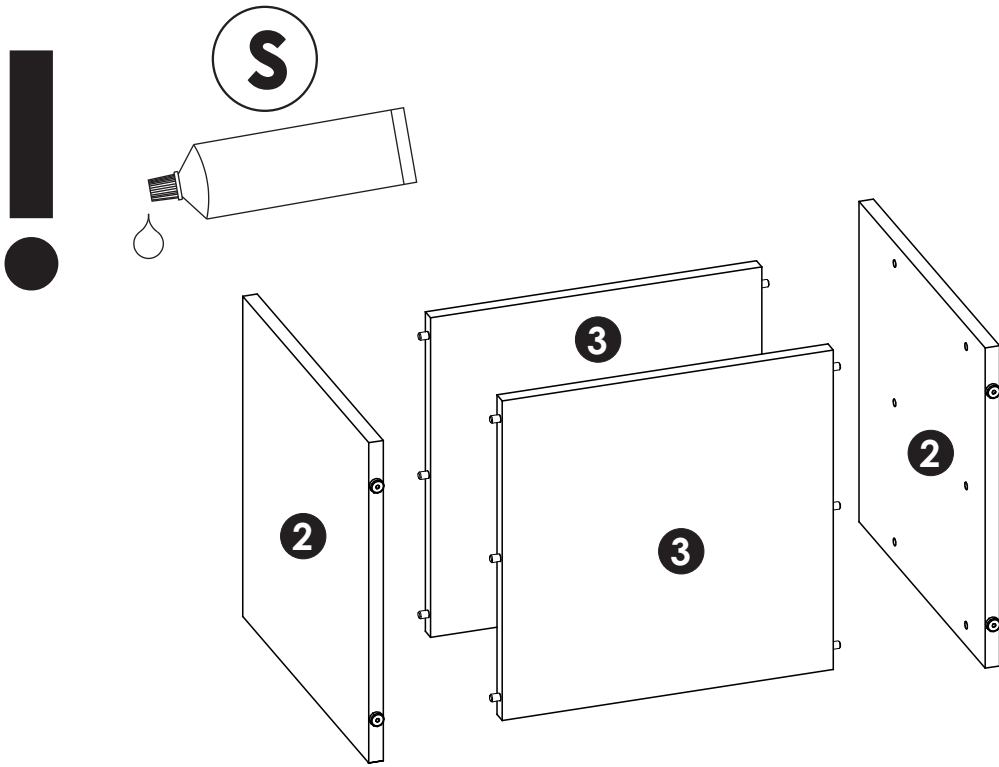


1	400	370	16	x1	1/1
2	384	368	16	x2	1/1
3	367	367	16	x2	1/1





2▶



3▶

