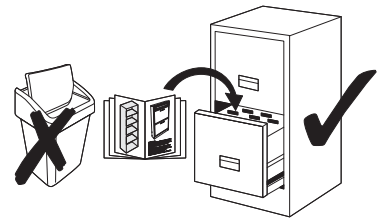
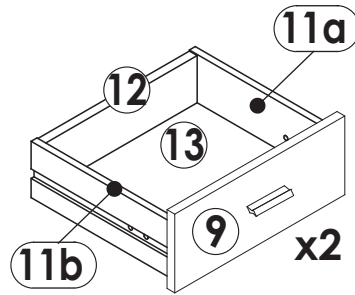
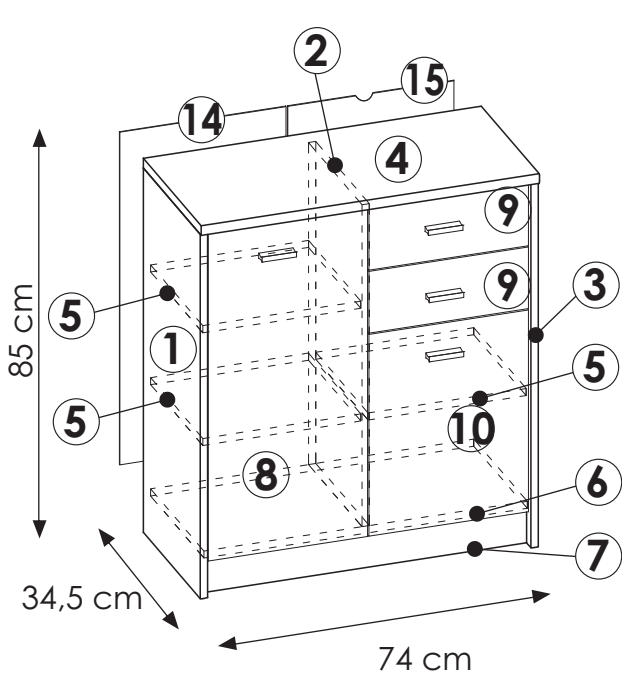
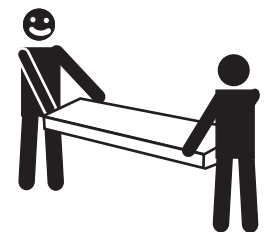
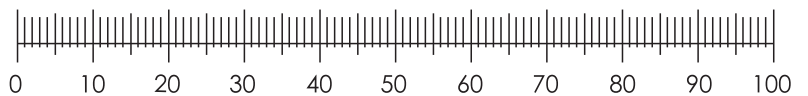
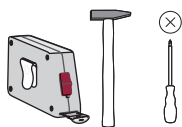
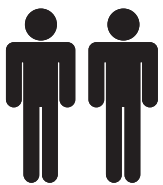


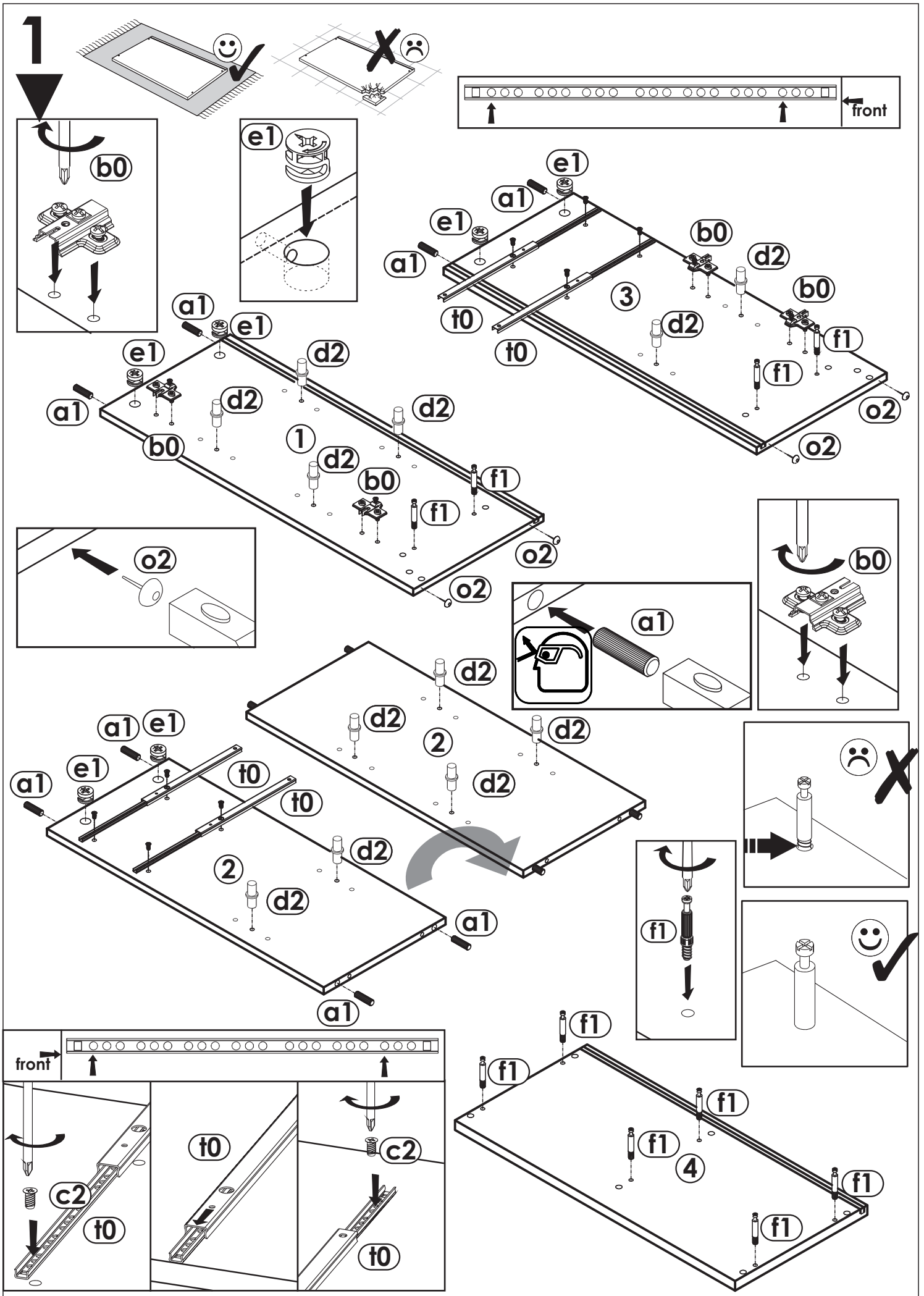
4YOU

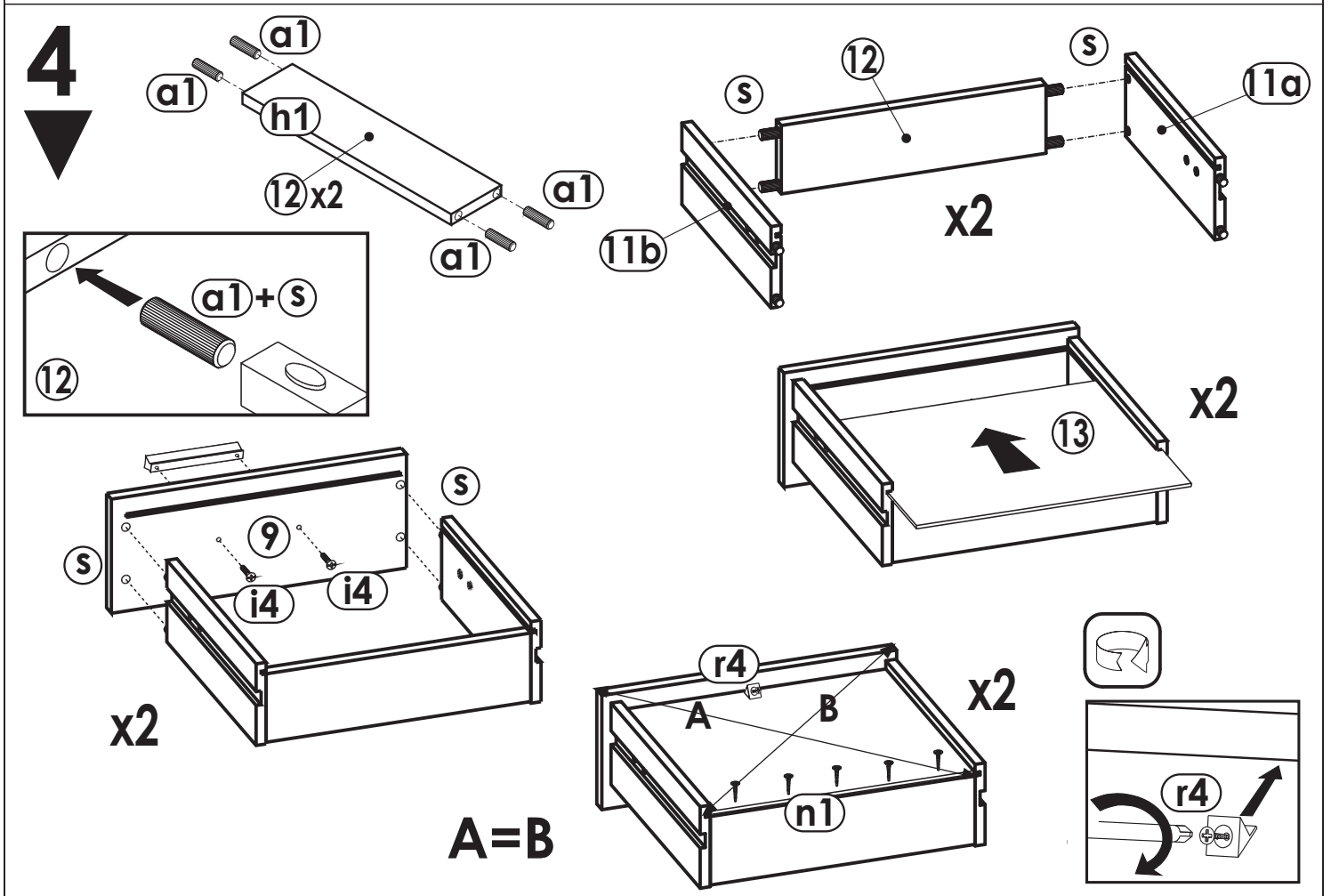
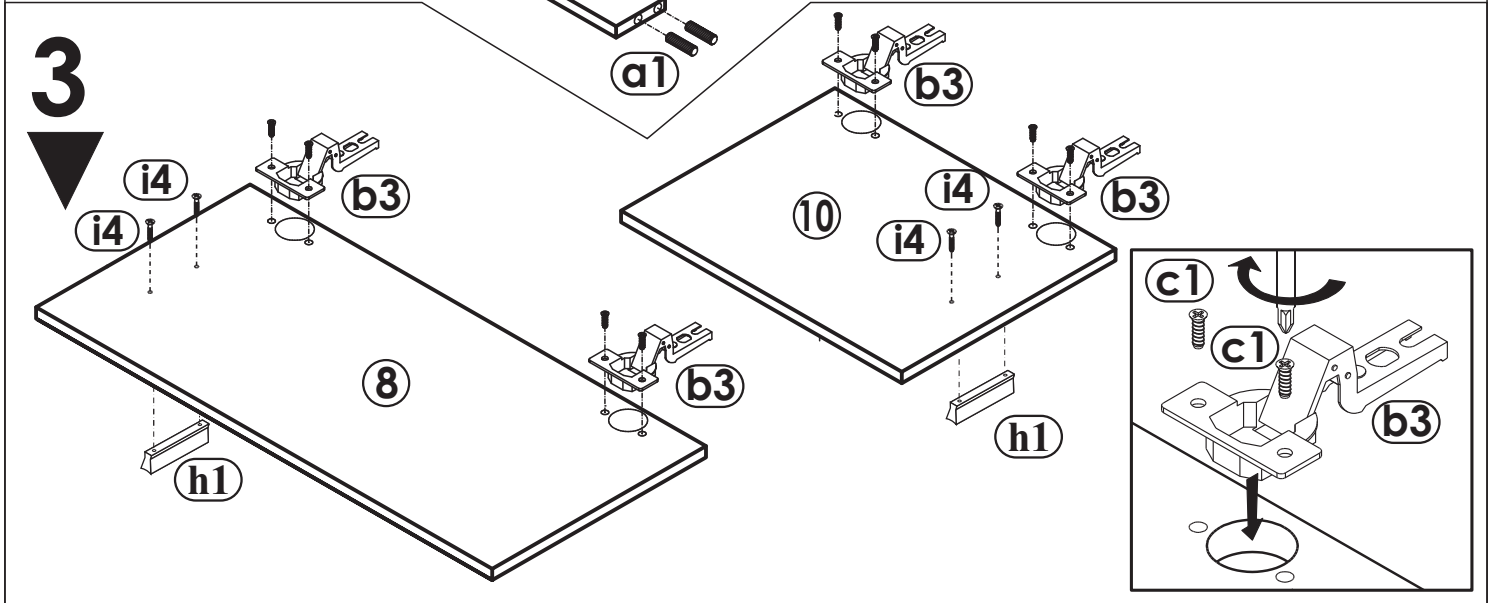
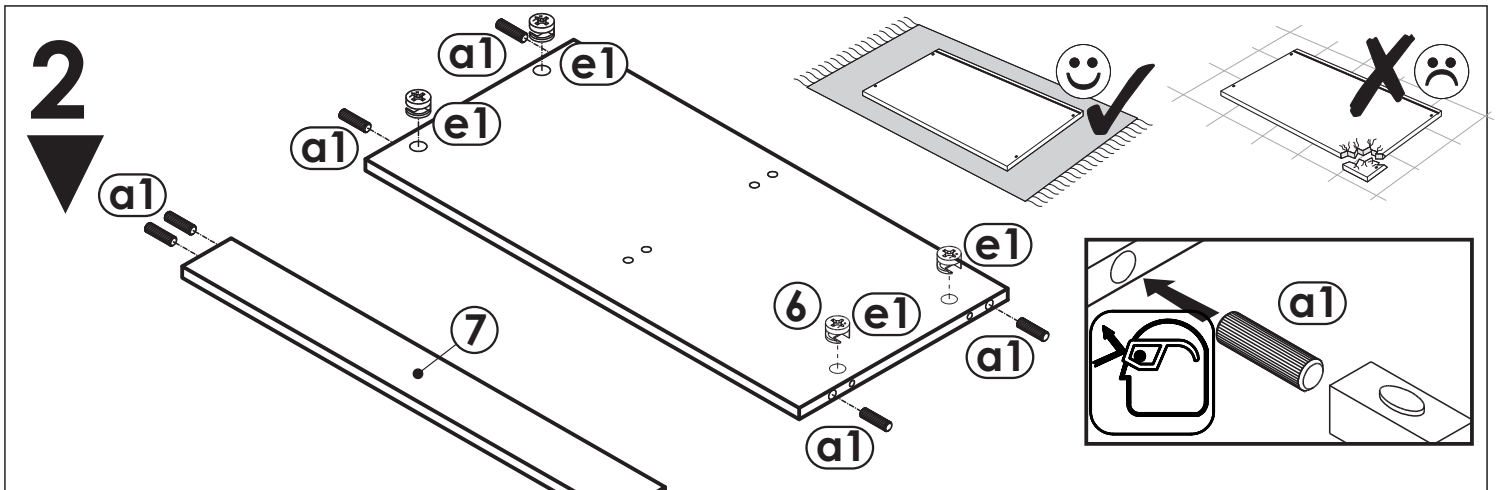
K1-2D-2S



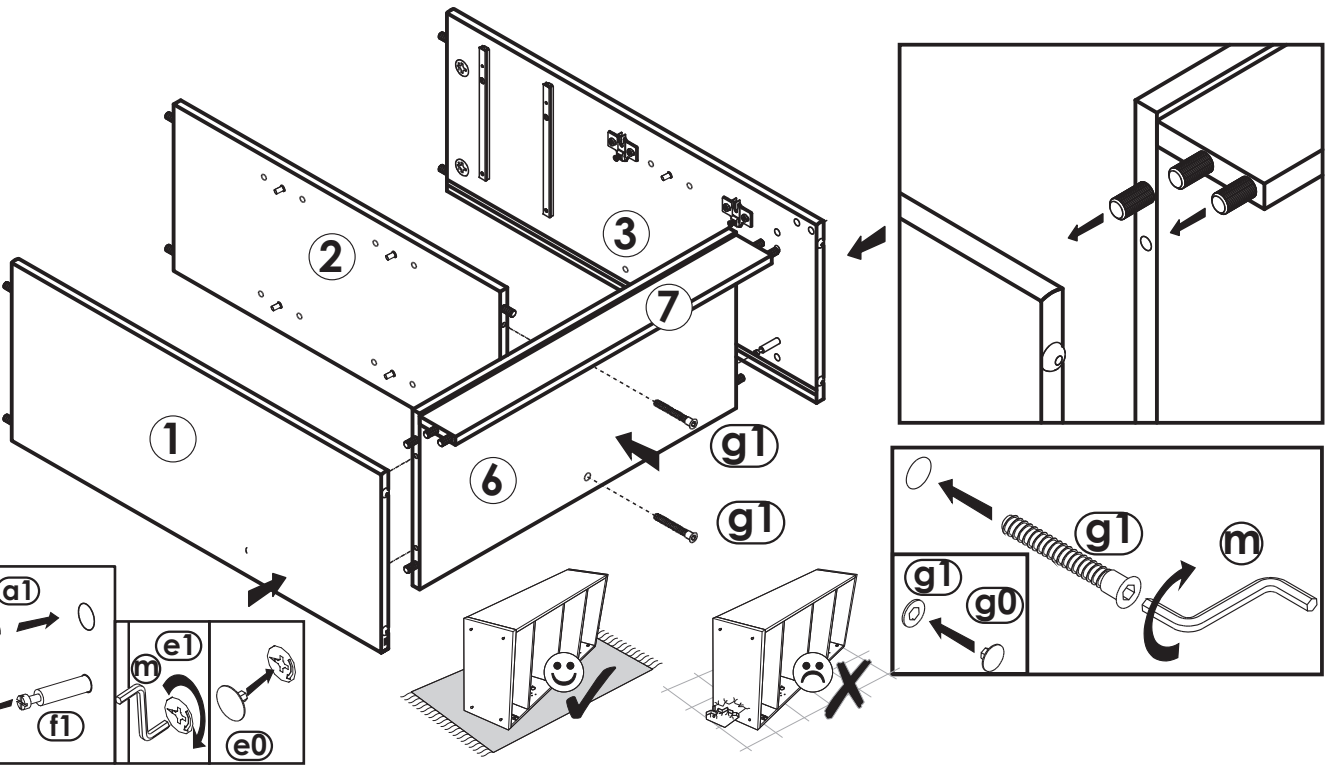
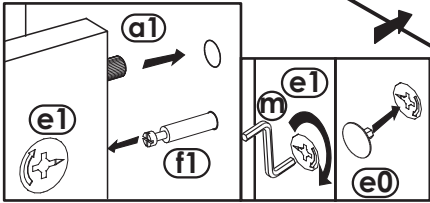
a1 8x35 x....(x24)	b0 x....(x4)	b3 x....(x4)	c1 Euro 4x13 x....(x8)	c2 Euro 5x13 x....(x8)	d2 x....(x12)	e0 x....(x10)		
e1 x....(x10)	f1 x....(x10)	g0 x....(x2)	g1 7x50 x....(x2)	h1 x....(x4)	i2 4x16 x....(x1)	i4 3,5x27 x....(x8)	k1 4x9 x....(x4)	m x....(x1)
n1 3x16 x....(x20)	o2 x....(x4)	p0 x....(x4)	q x....(x1)	r4 x....(x8)	r1 x....(x6)	s x....(x1)	t0 x....(x4)	



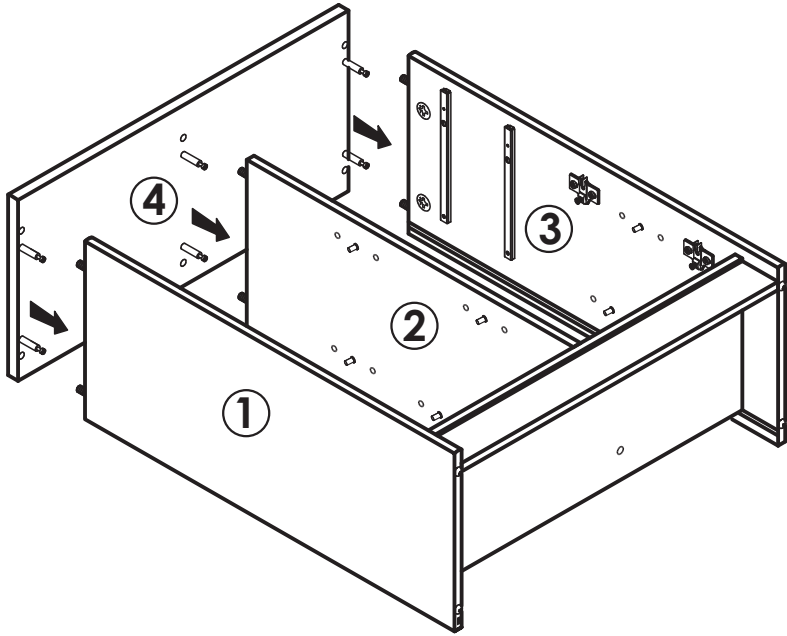
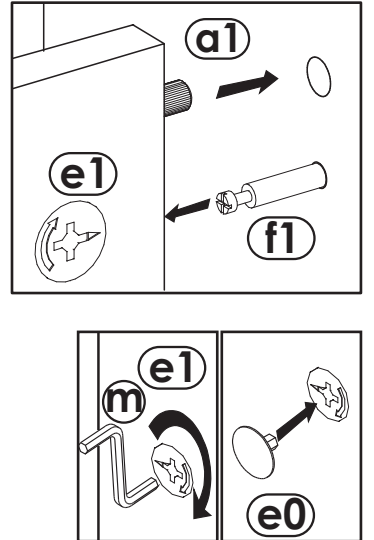




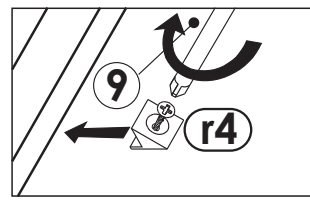
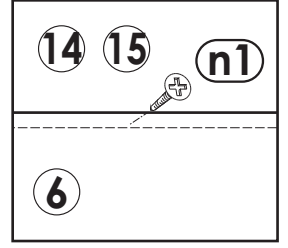
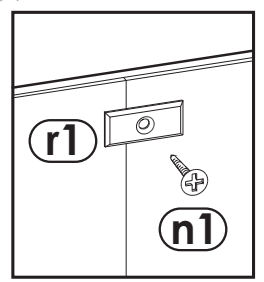
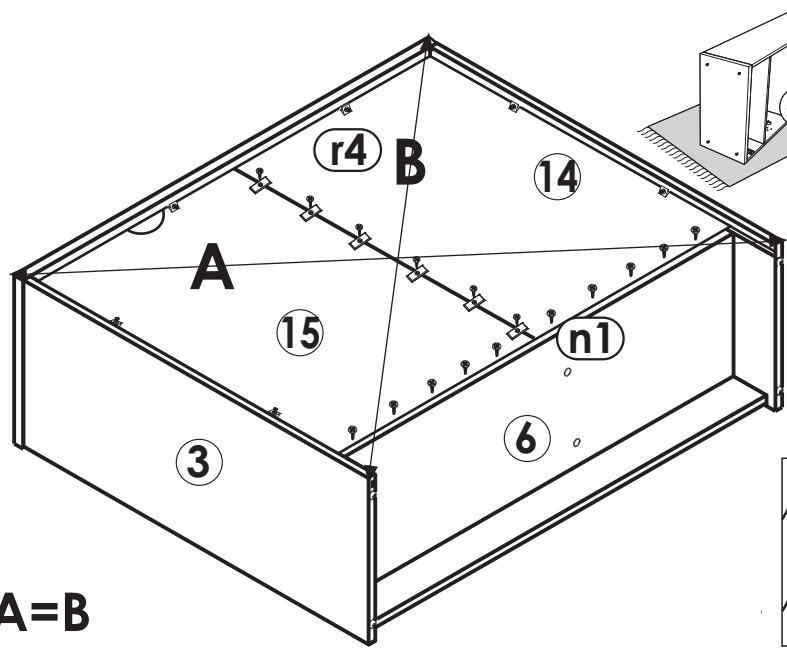
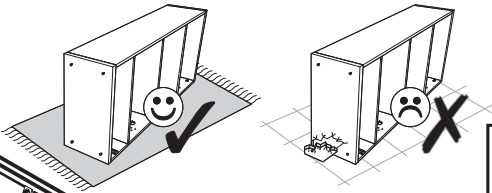
5



6



7



A=B

8

