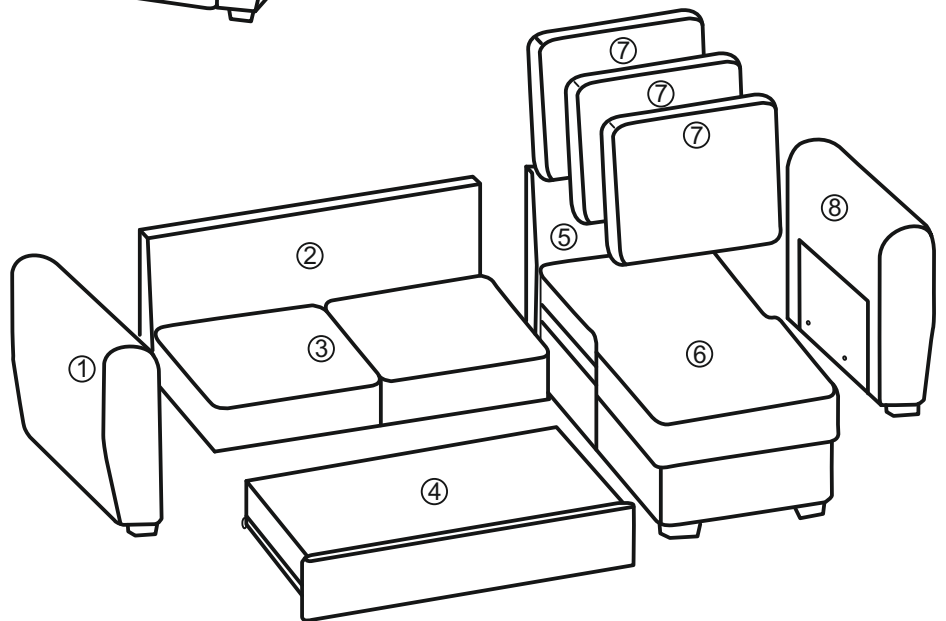
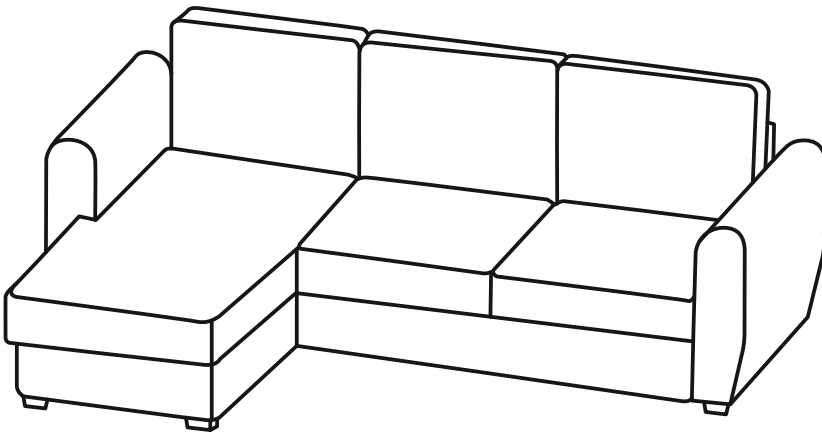
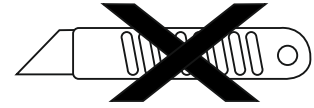
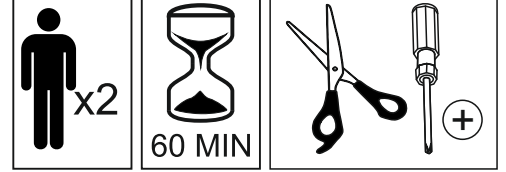


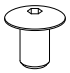

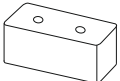

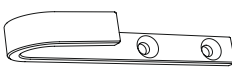
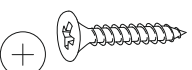
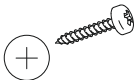

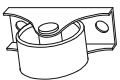
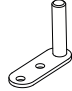
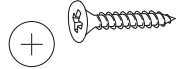
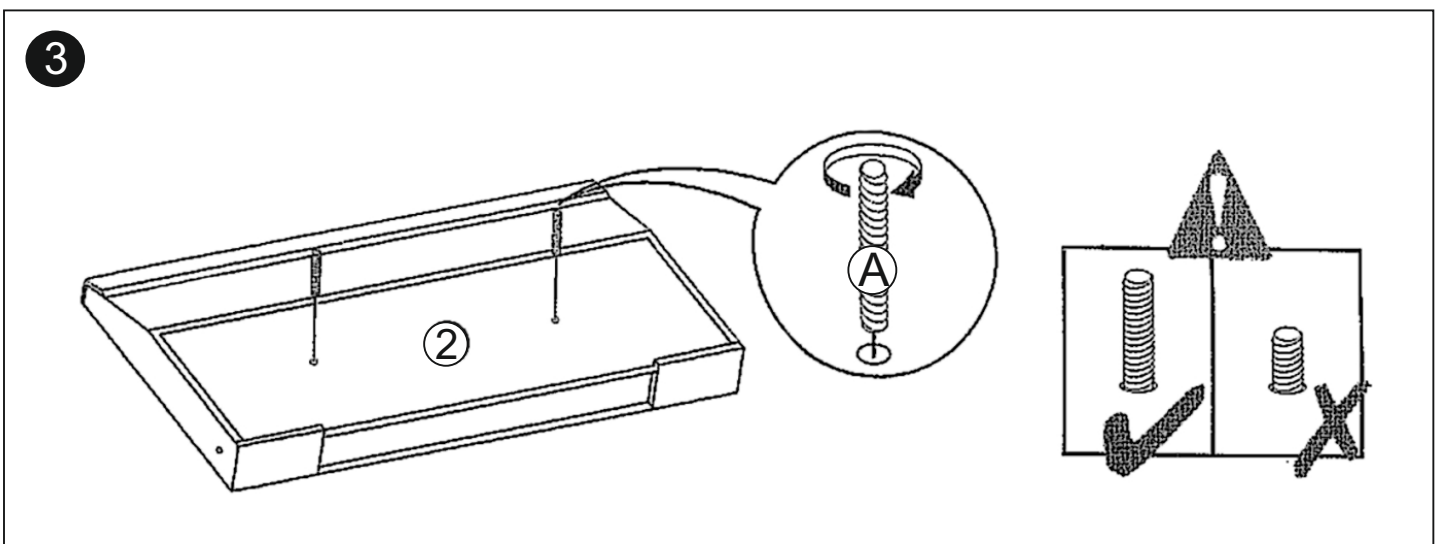
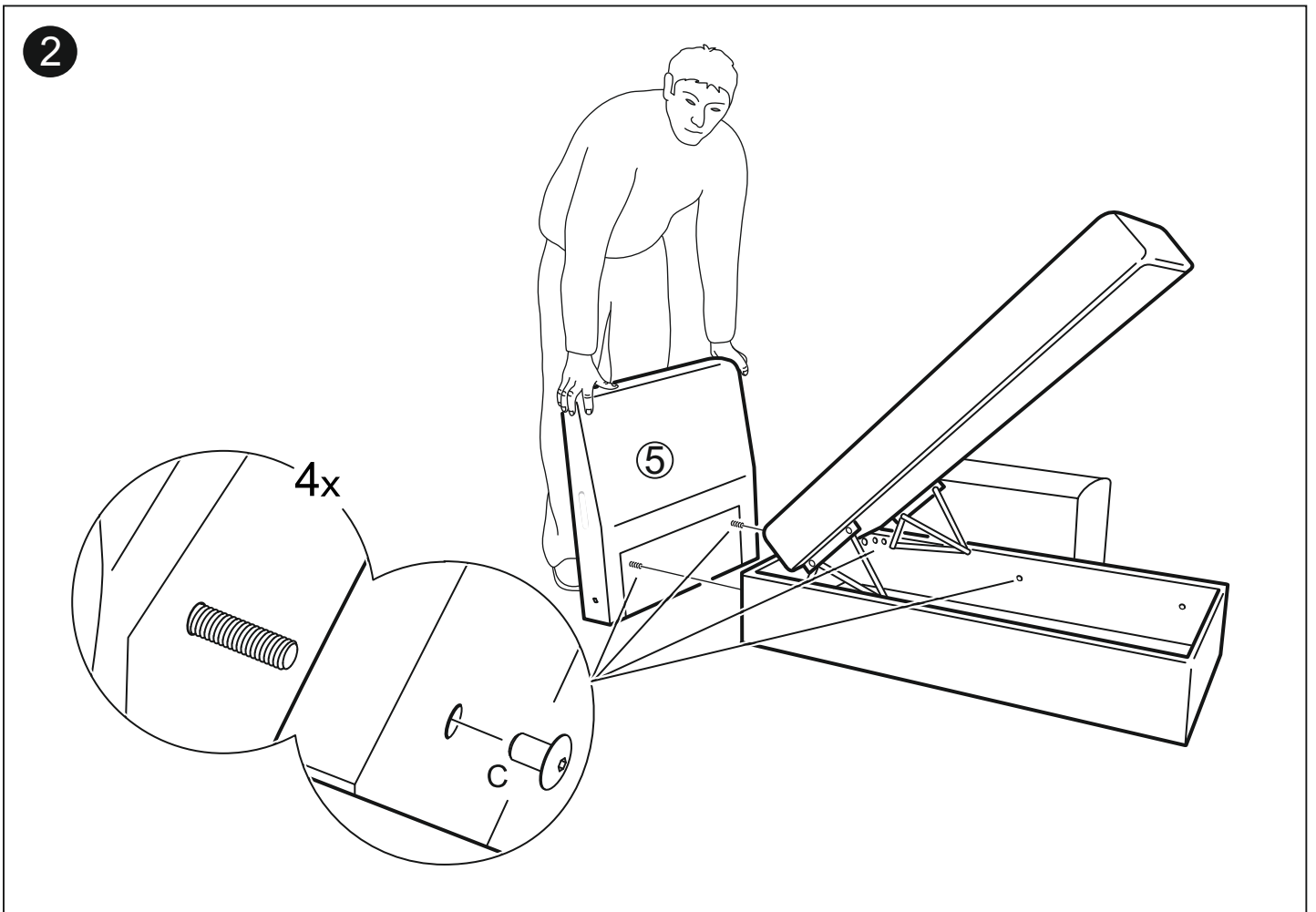
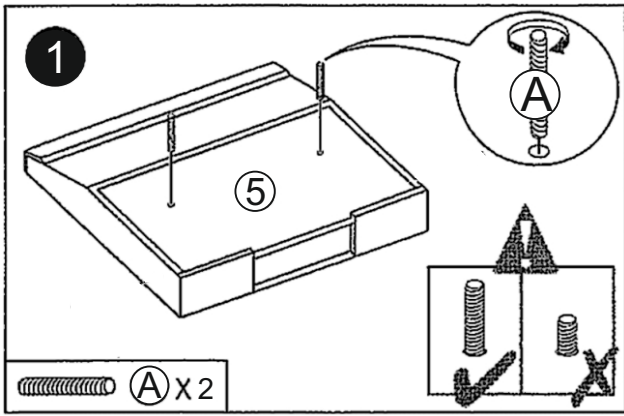


LOOK 2F.REC/BK

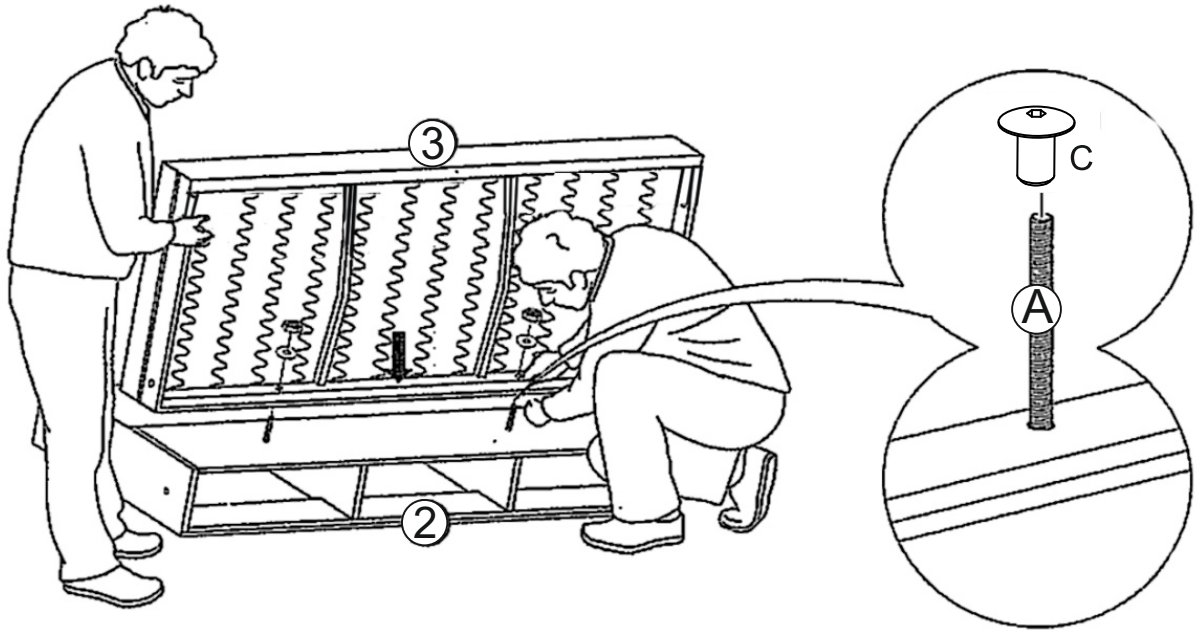
11-09/2019



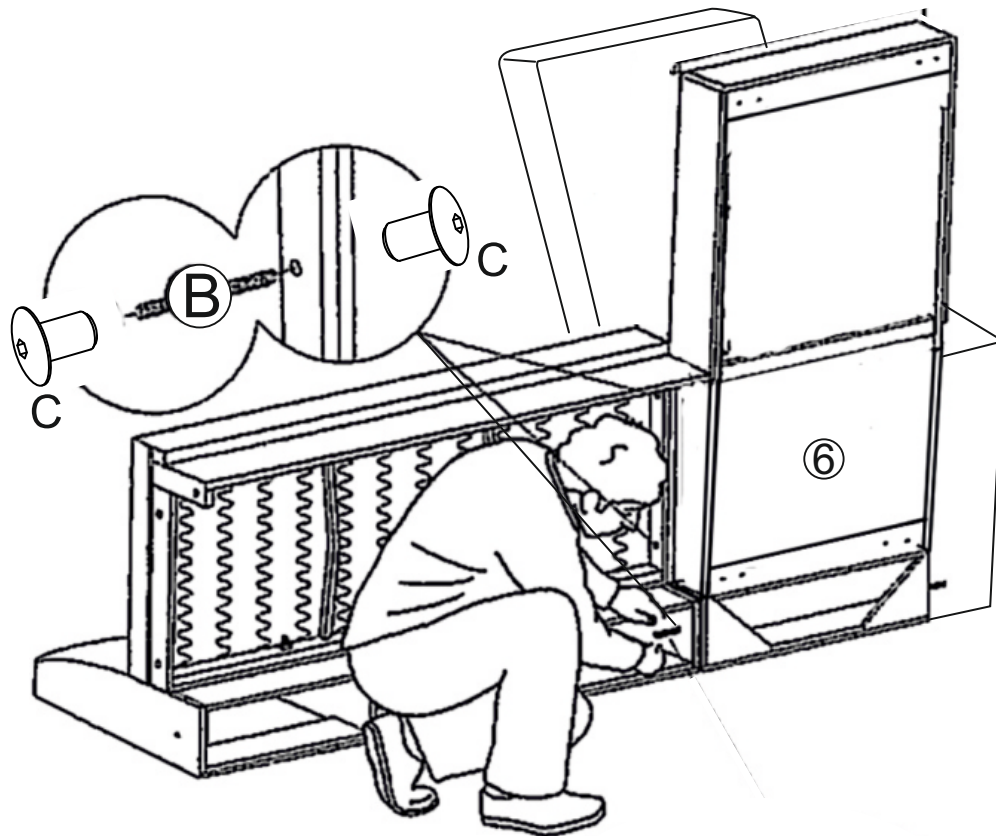
A	 Ax10 M8x50	B	 Bx3 M8x25	C	 Cx16 M8	D	 D x14 Felt Feutre
E	 Ex6	F	 Fx2	G	 Gx2	H	 Hx12 5x40
I	 Ix16 (+)	J	 Jx2 5mm	K	 Kx4	L	 Lx2
						M	 Mx2 5x35 (+)



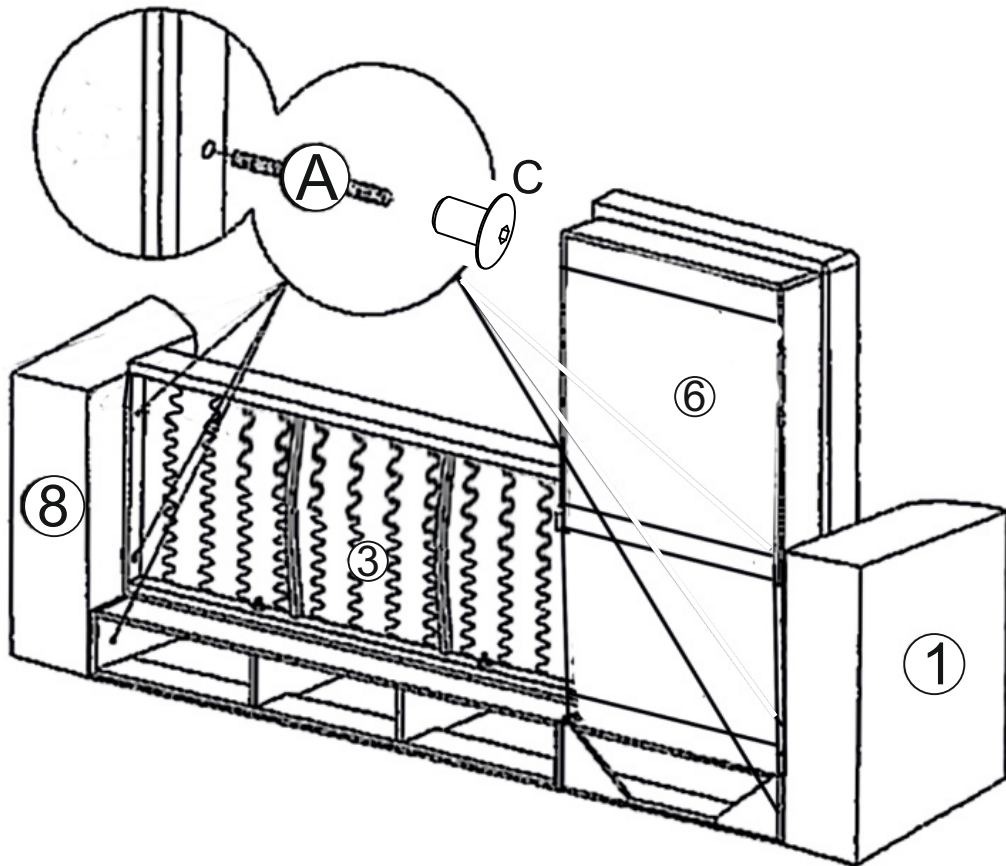
4



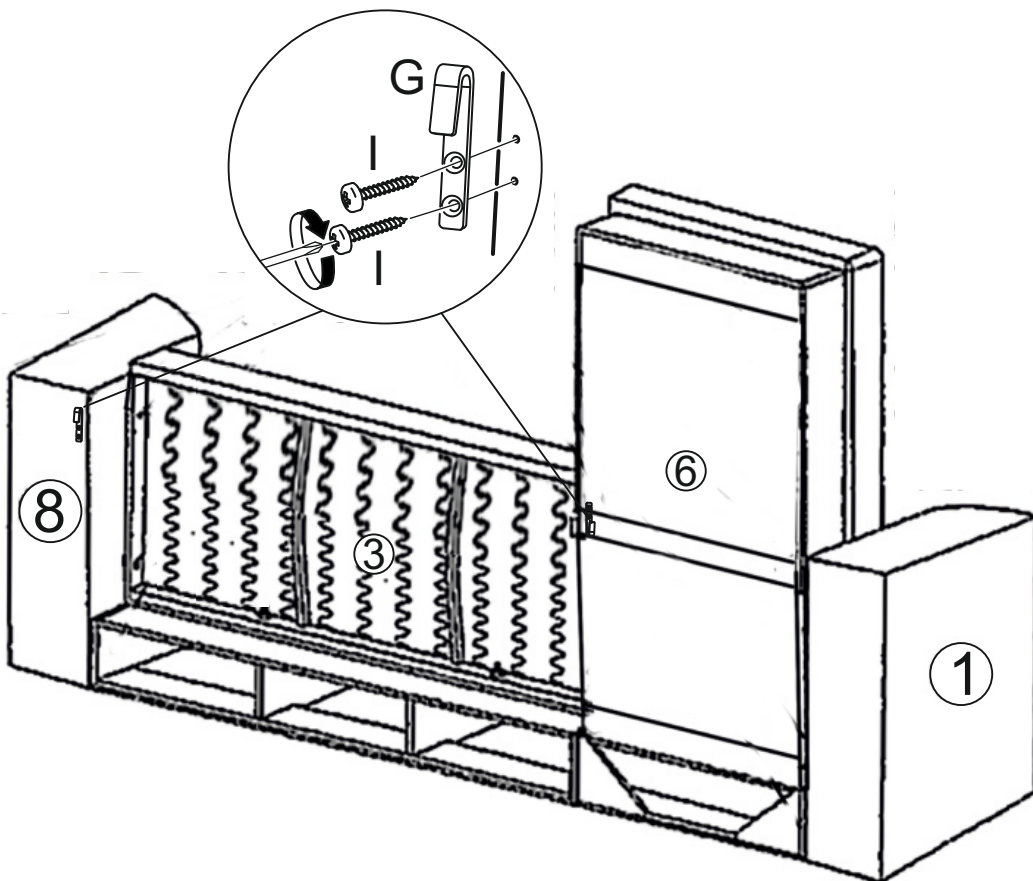
5



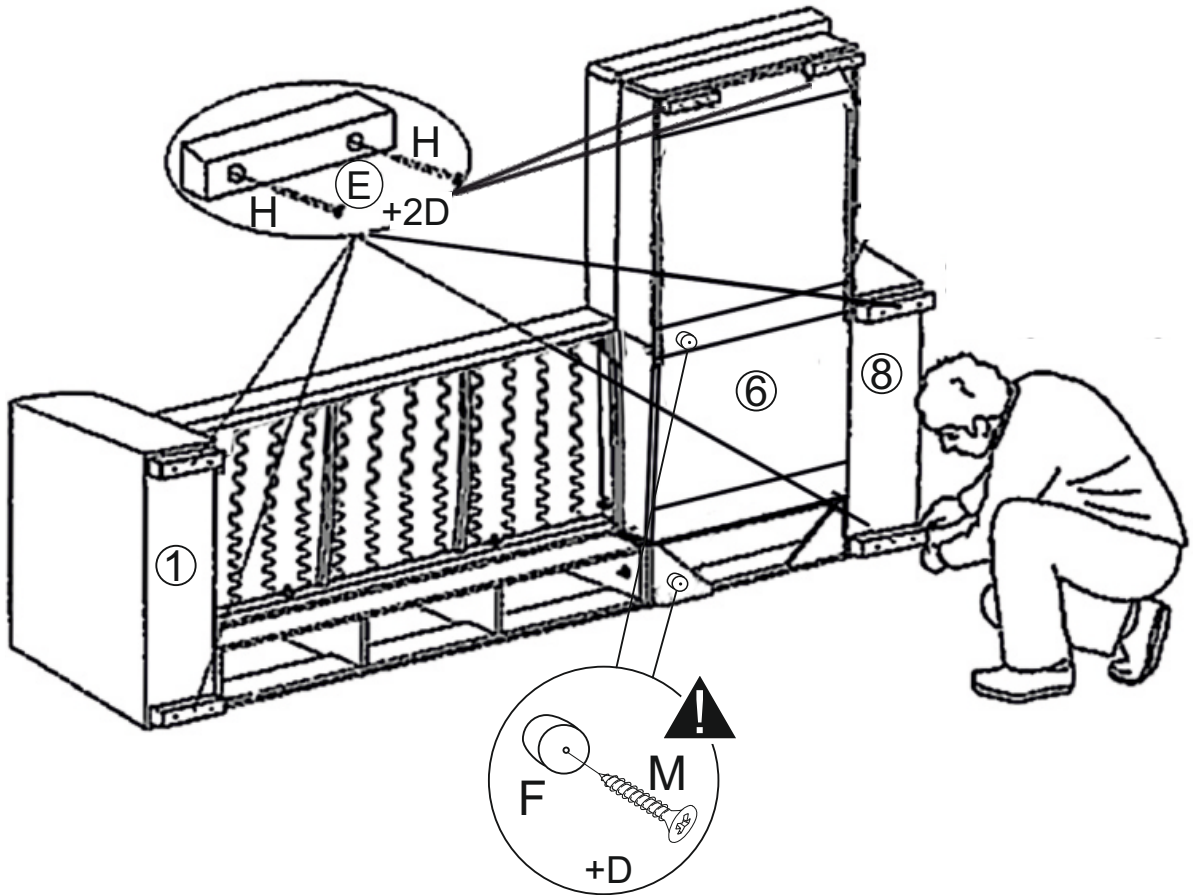
6



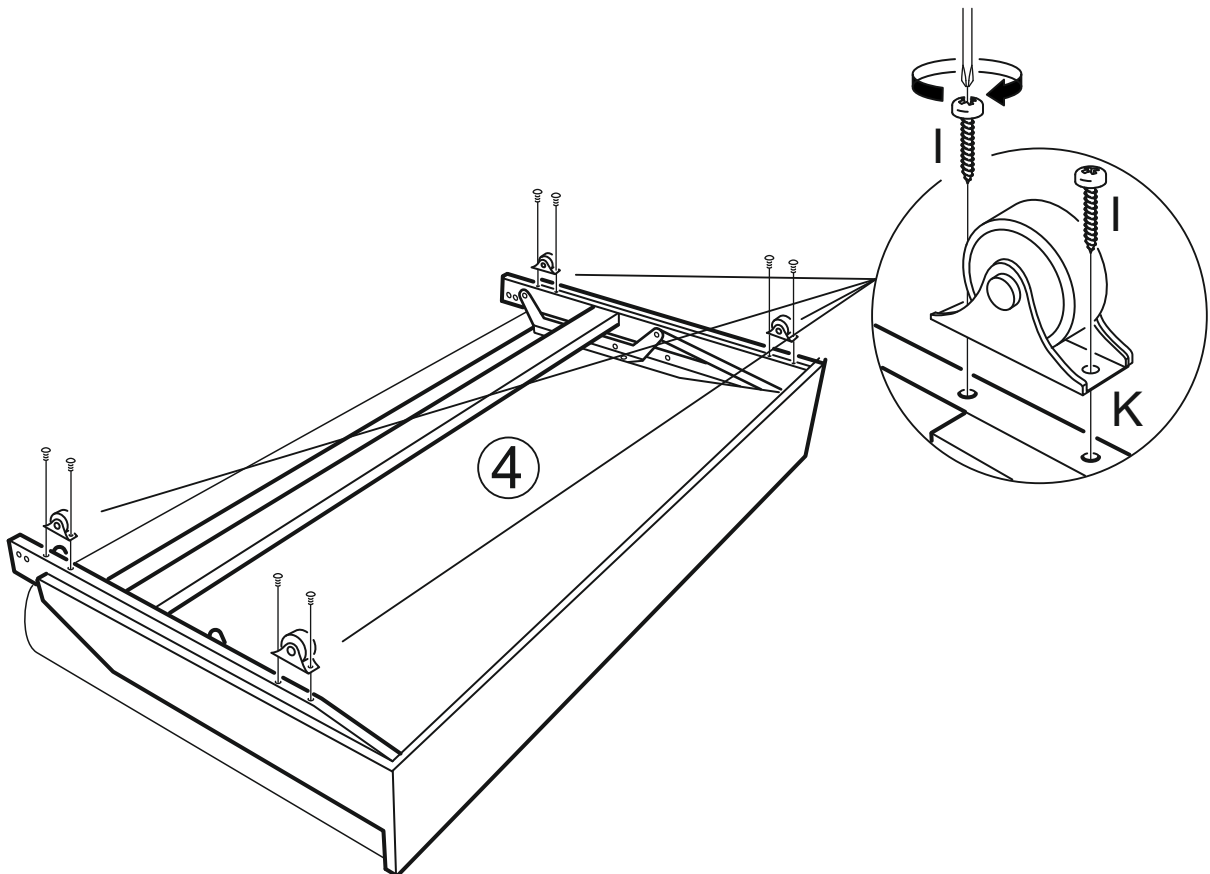
7



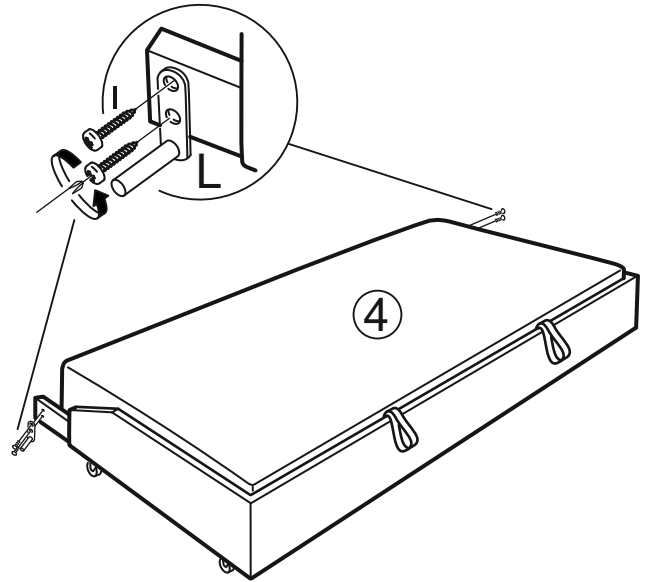
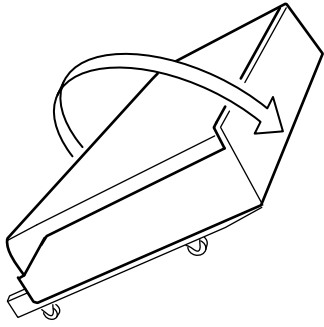
8



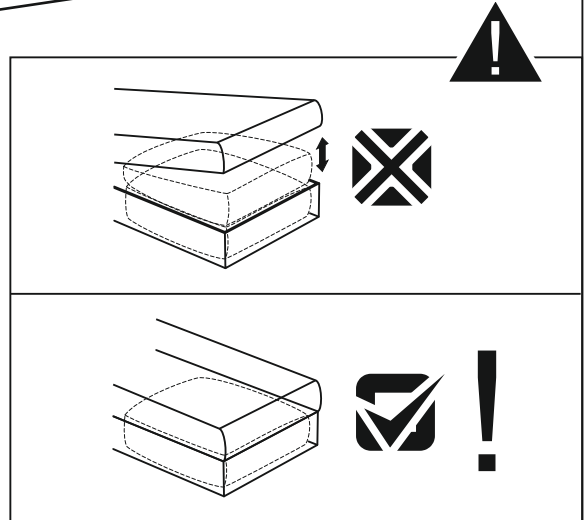
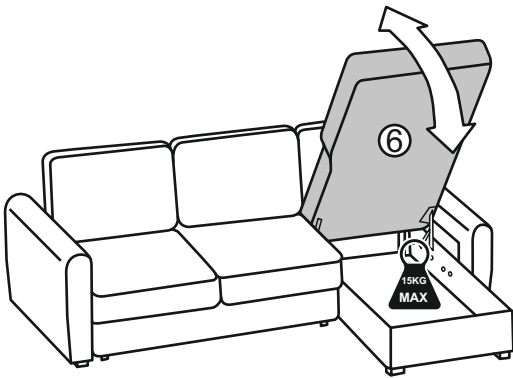
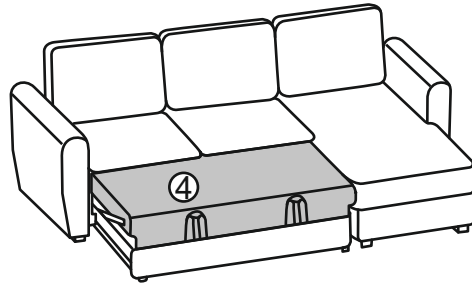
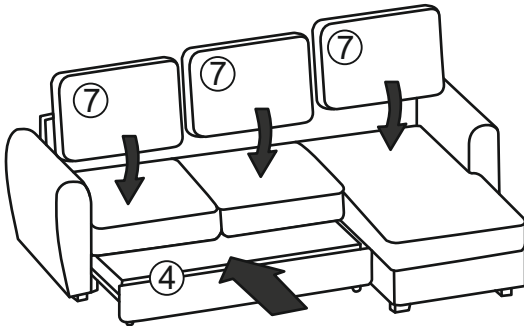
9



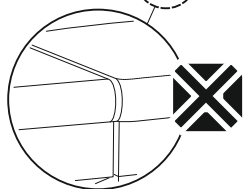
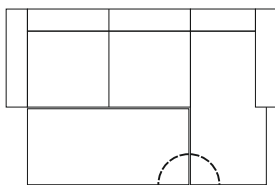
10



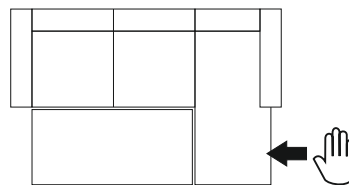
11



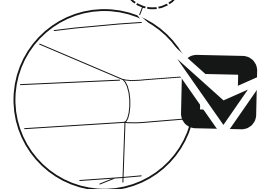
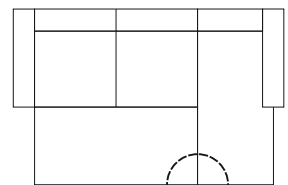
I

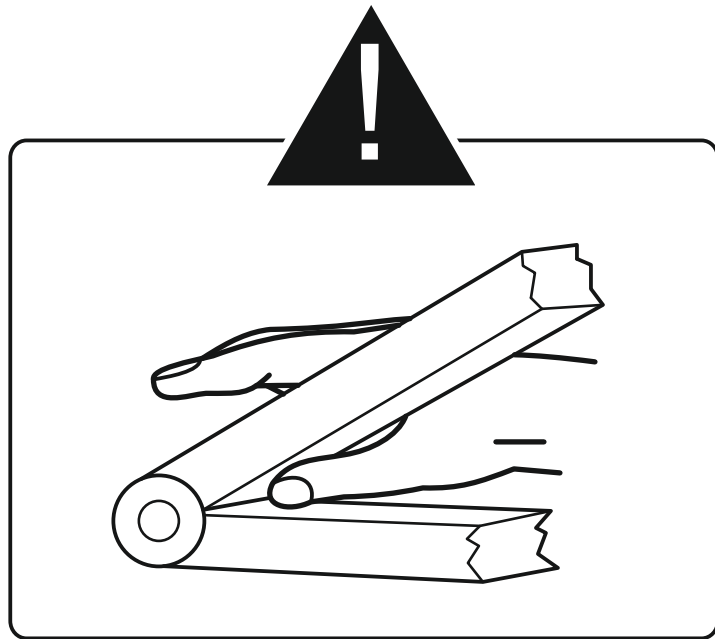
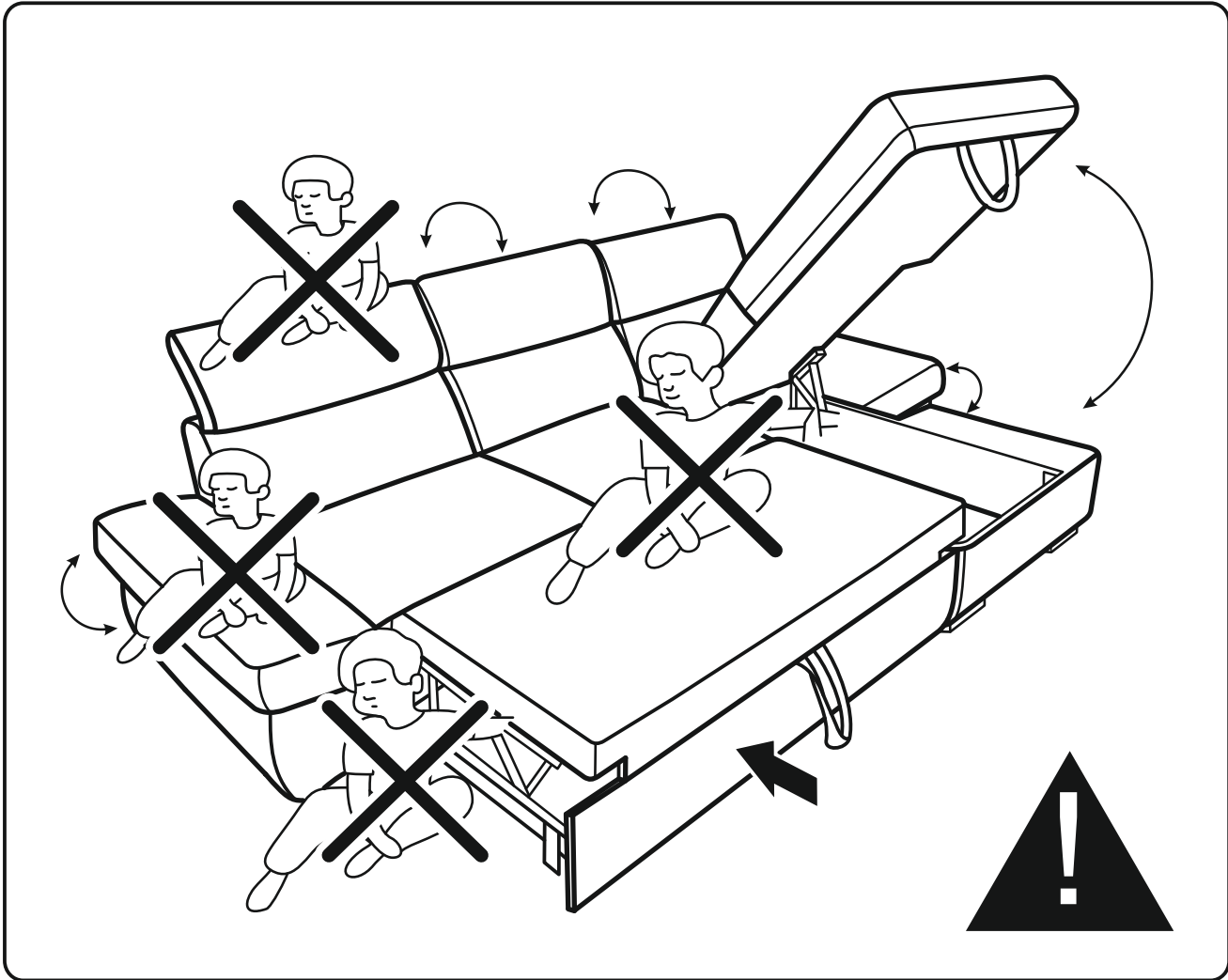


II



III





Attention!

