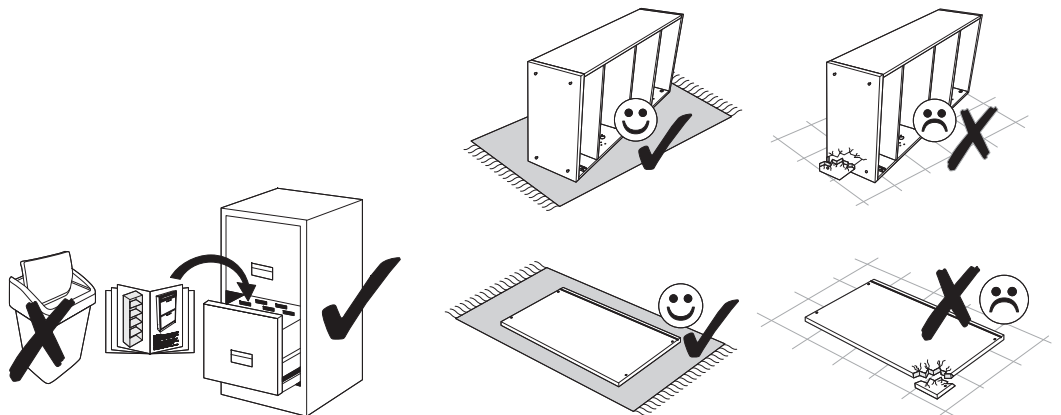
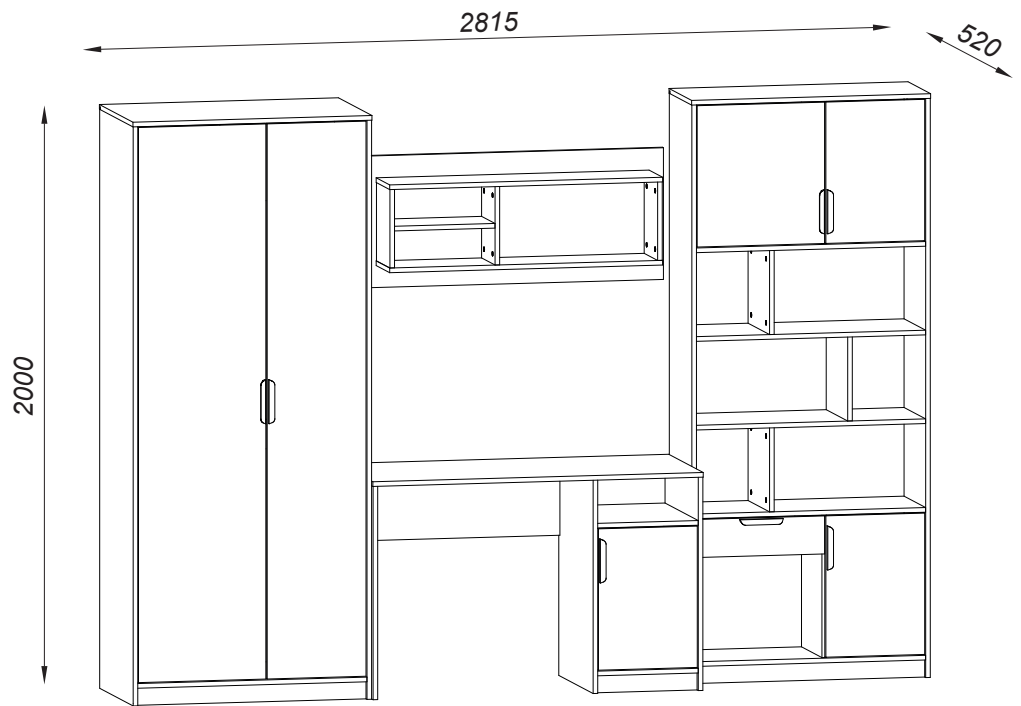
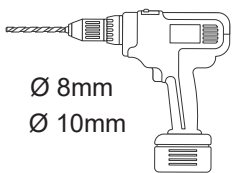
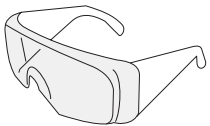
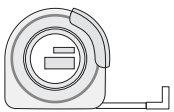
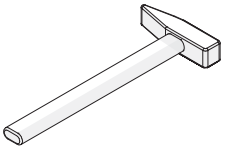
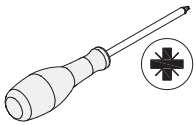
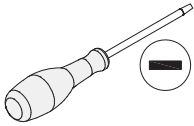
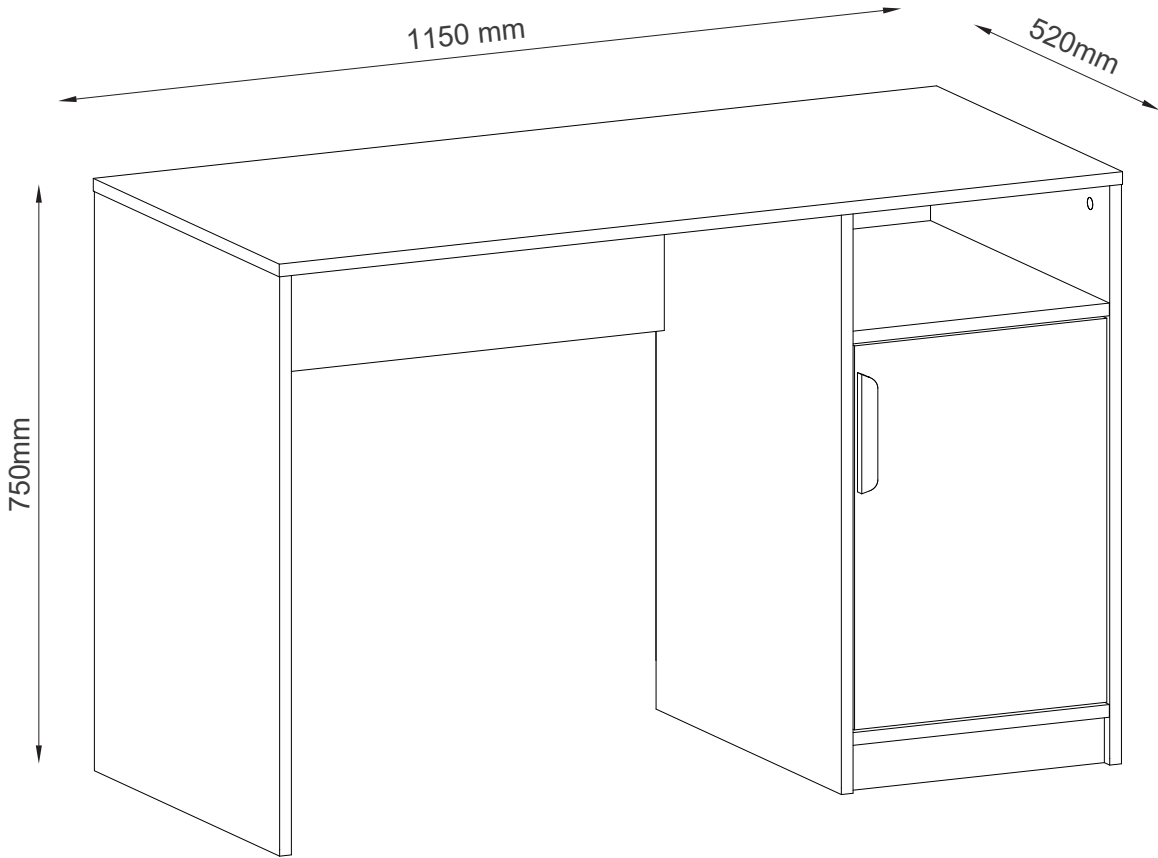
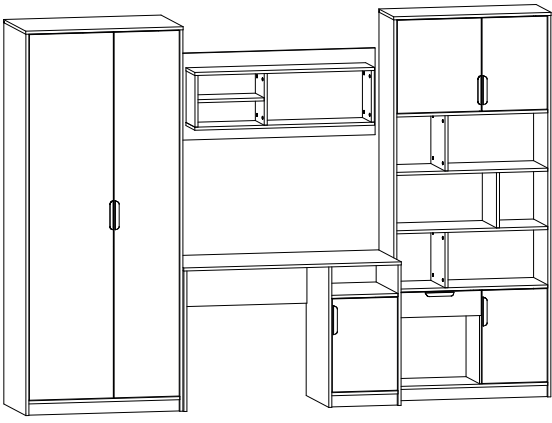
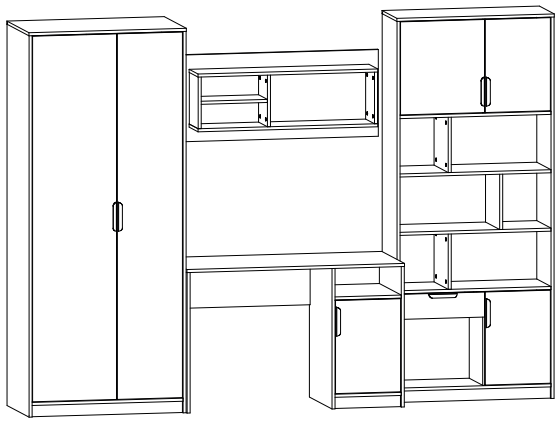




Modell **JUHA**

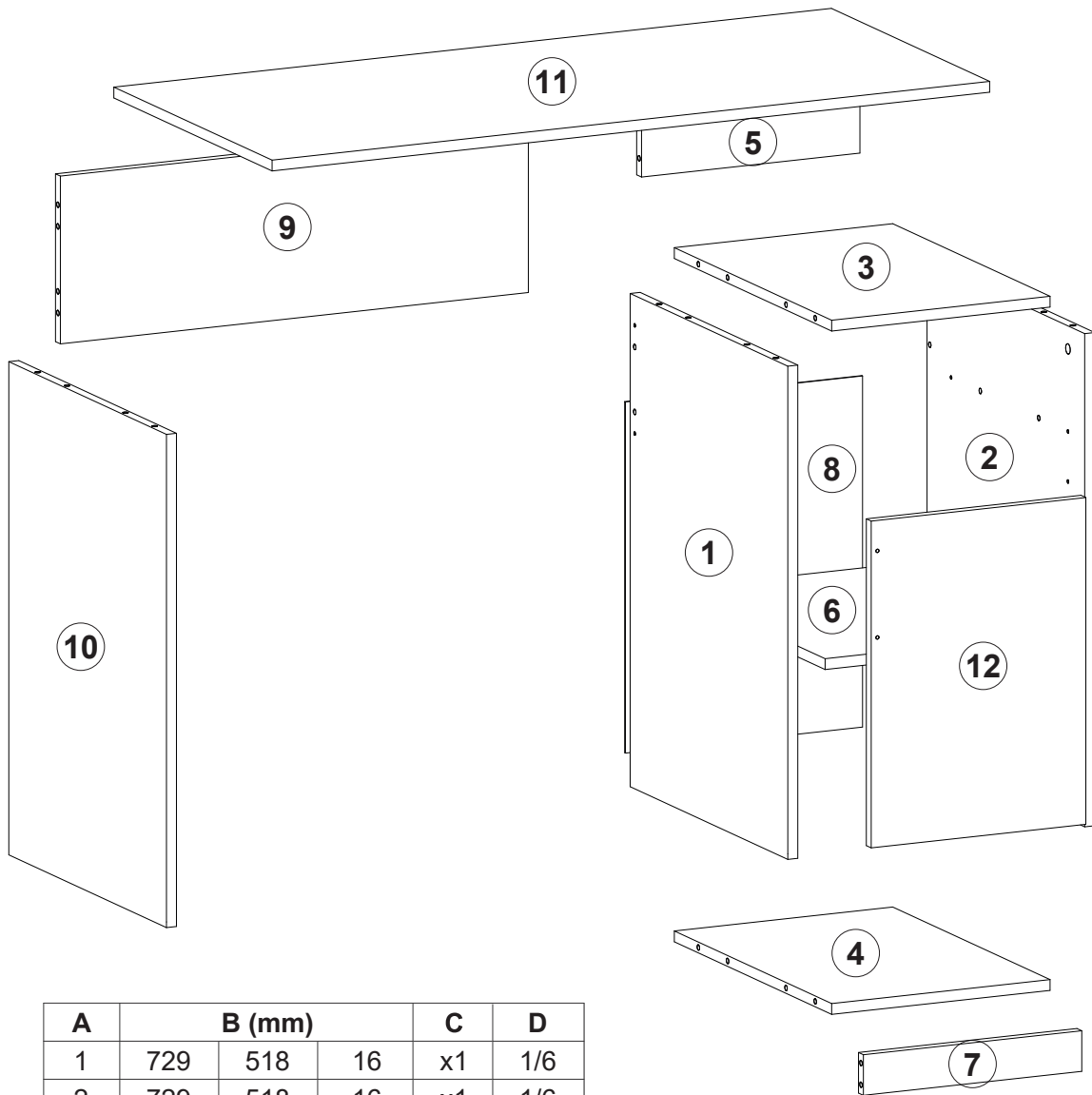




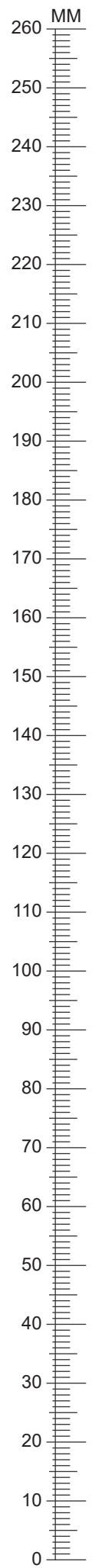
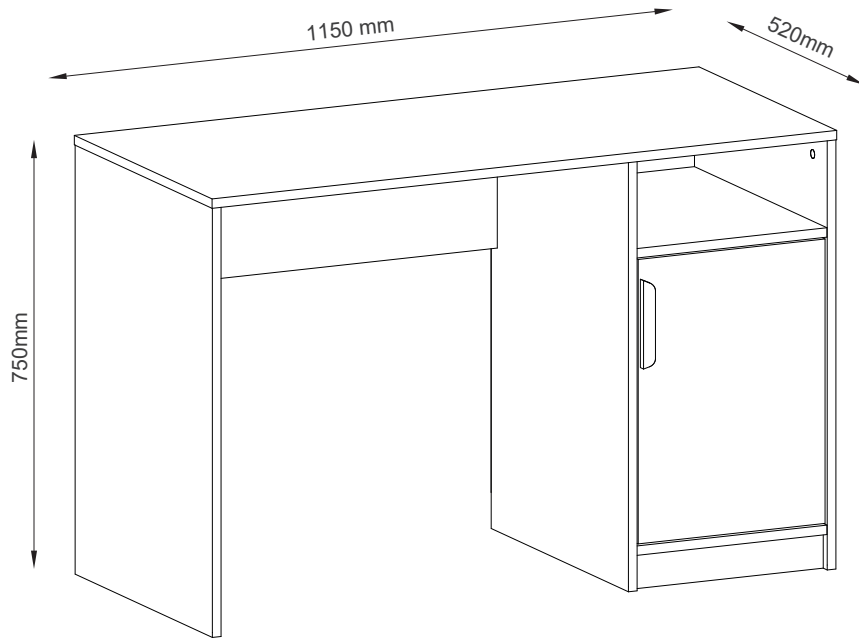



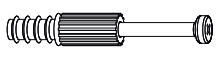




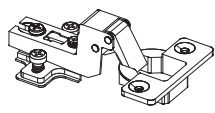
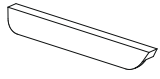



max. 15KG = 11

max. 5KG = 3 4 6



A	B (mm)		C	D
1	729	518	16	x1 1/6
2	729	518	16	x1 1/6
3	350	517	16	x1 1/6
4	350	517	16	x1 4/6
5	148	350	16	x1 4/6
6	349	499	16	x1 1/6
7	350	60	16	x1 1/6
8	519	380	2,5	x1 1/6
9	750	248	16	x1 4/6
10	729	518	16	x1 1/6
11	1150	520	16	x1 1/6
12	483	344	16	x1 4/6



<p>26x</p>  <p>Ø 8x30mm</p> <p>f1</p>	<p>18x</p>  <p>45mm</p> <p>r23</p>	<p>18x</p>  <p>Ø 15x12mm</p> <p>r1</p>
<p>6x</p>  <p>Ø 20mm</p> <p>s1</p>	<p>4x</p>  <p>Ø 5mm</p> <p>d1</p>	<p>2x</p>  <p>Ø 4x25mm</p> <p>p26</p>
<p>2x</p>  <p>Ø 35mm</p> <p>ab3</p>	<p>1x</p>  <p>L=128/152mm</p> <p>c251</p>	<p>12x</p>  <p>Ø 4,2x16mm</p> <p>p21</p>
<p>6x</p>  <p>Ø 15mm</p> <p>k40</p>	<p>4x</p>  <p>Ø 3,5x16mm</p> <p>p51</p>	

1

f1 x 10



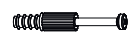
Ø 8x30mm

r1 x 6



Ø 15x12mm

r23 x 12

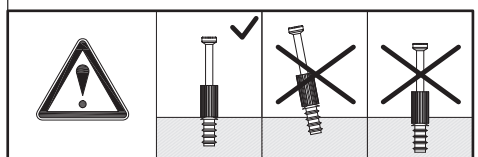
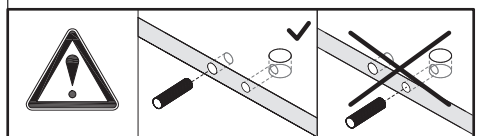
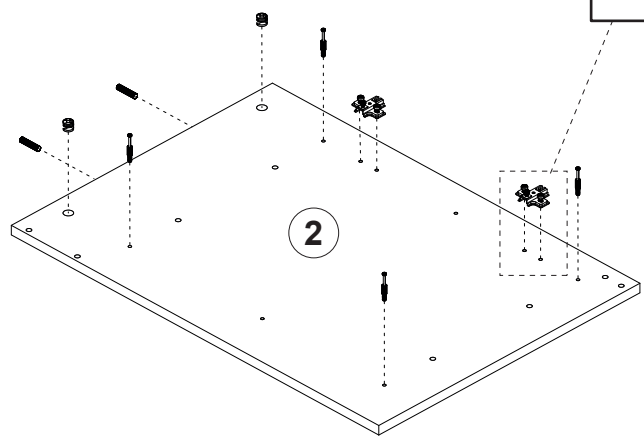
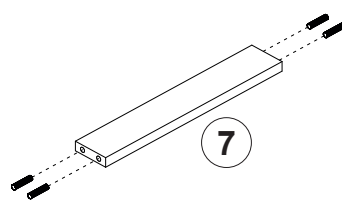
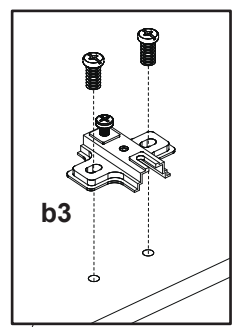
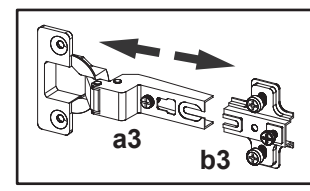
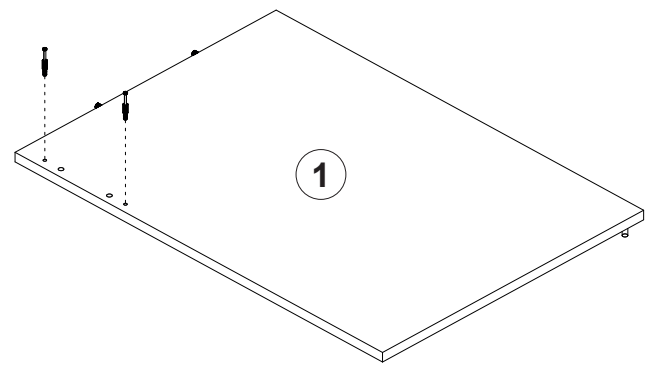
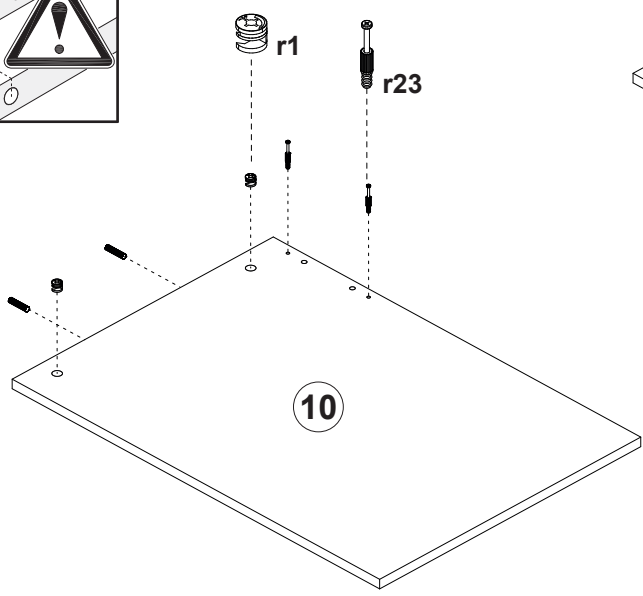
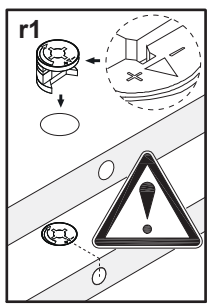
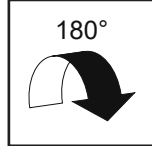
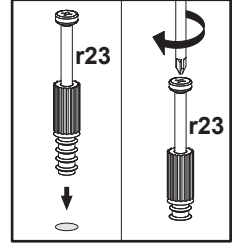
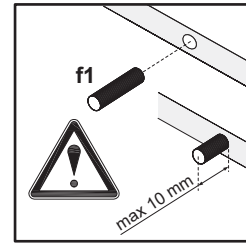
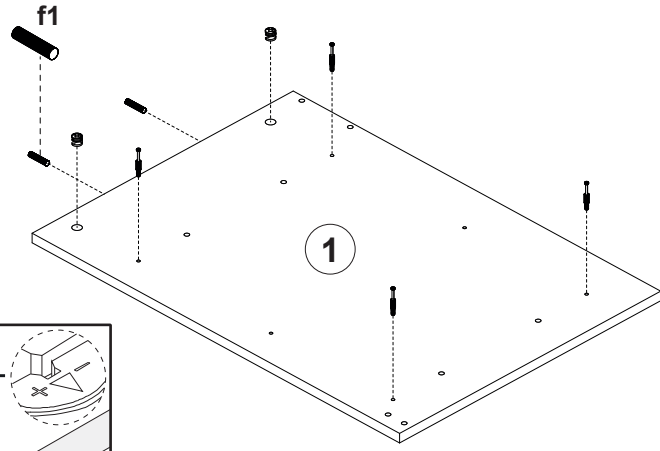


45mm

b3 x 2



40x50x12mm

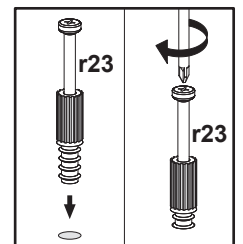
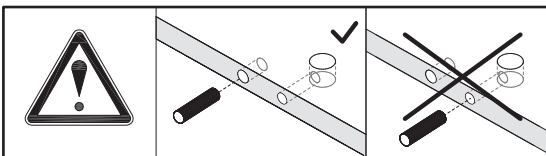
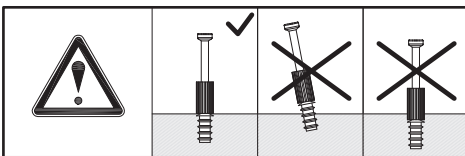
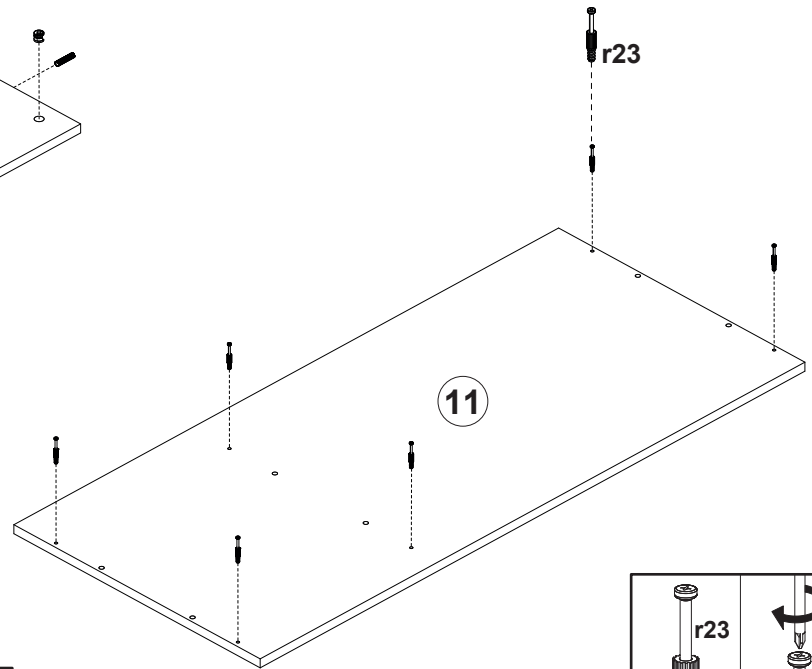
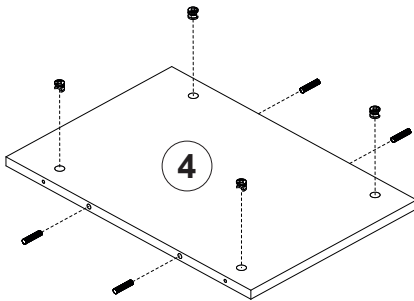
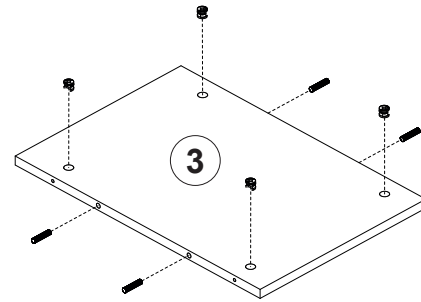
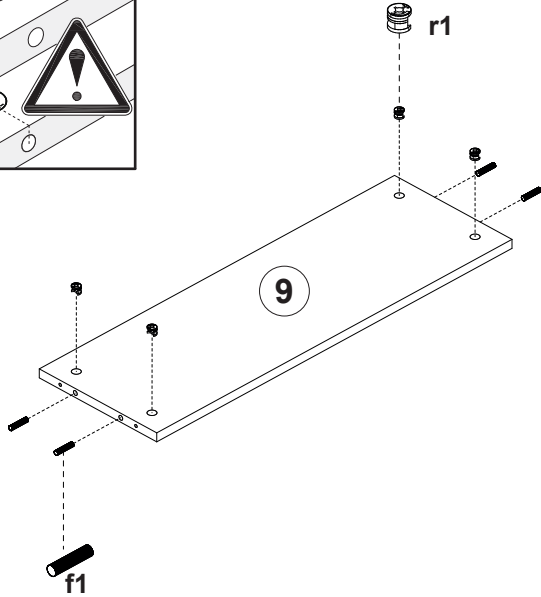
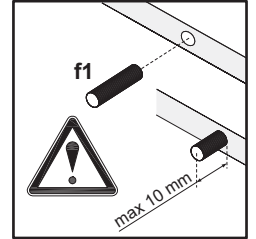
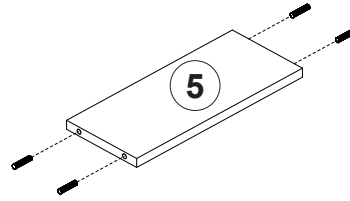
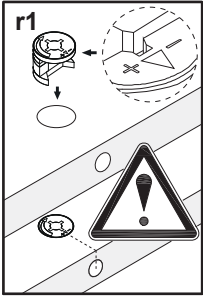


2

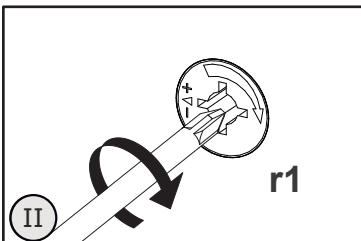
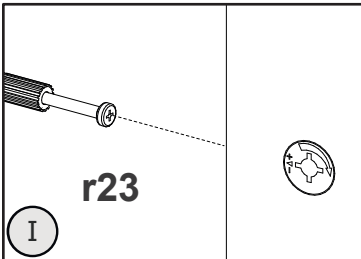
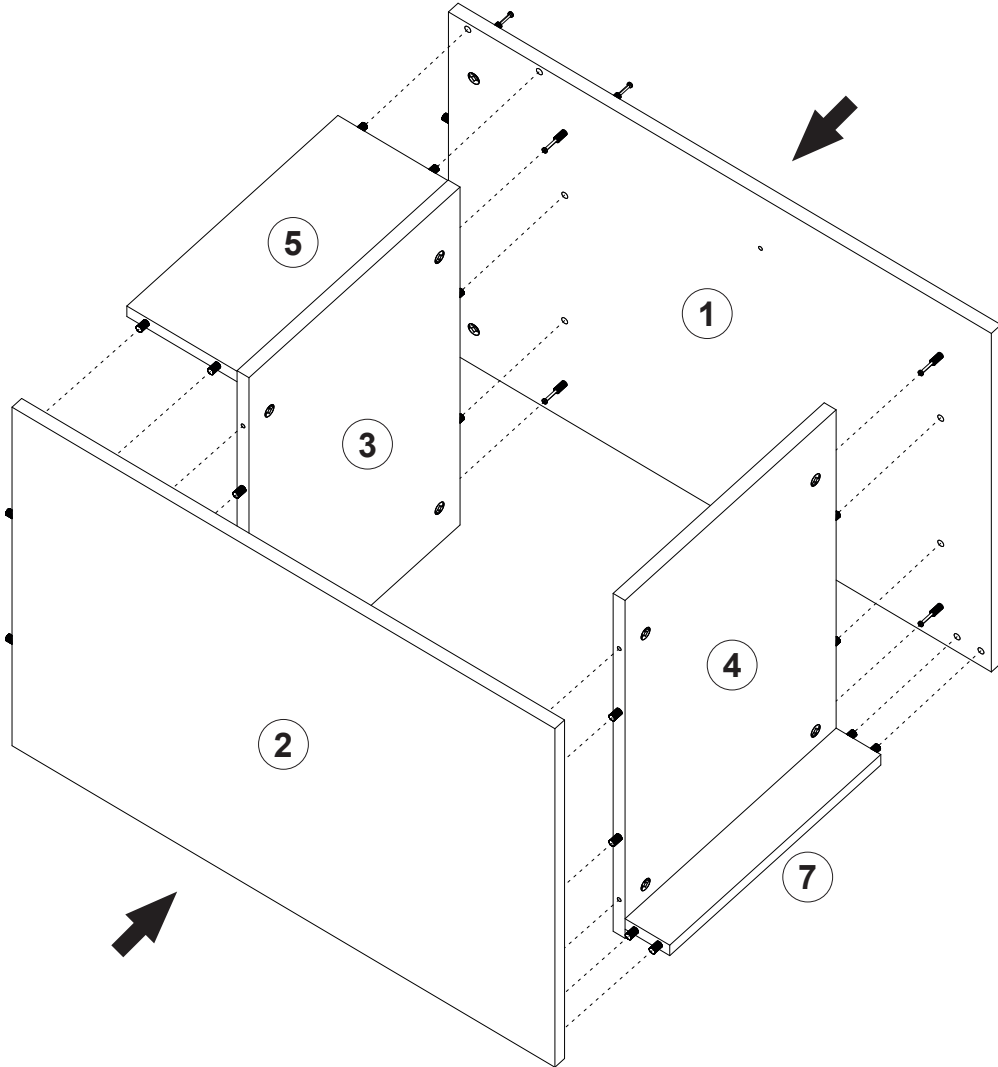
f1 x 16
Ø 8x30mm

r1 x 12
Ø 15x12mm

r23 x 6
45mm



3

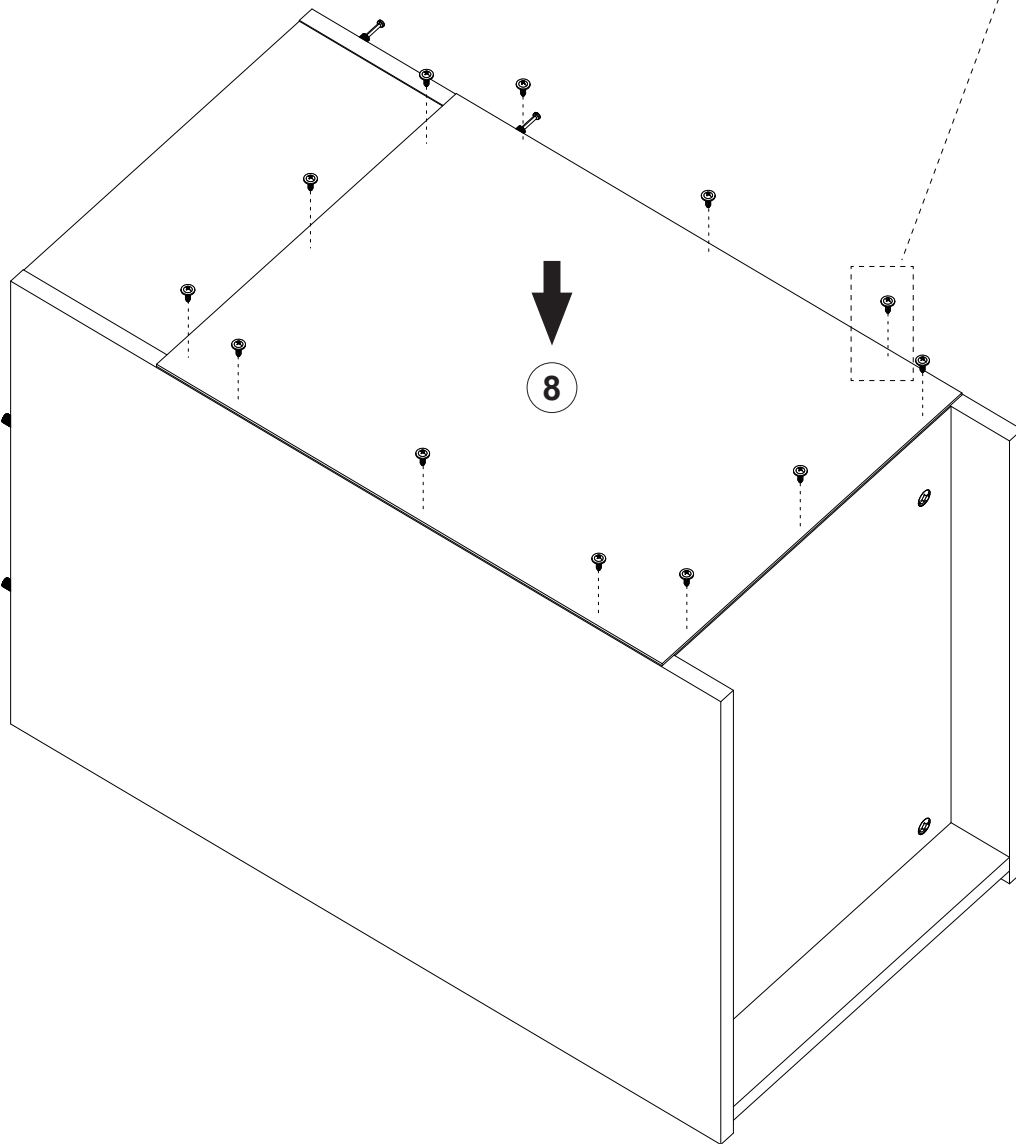
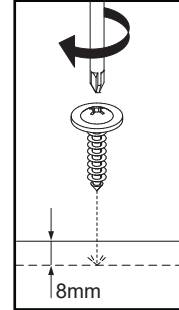
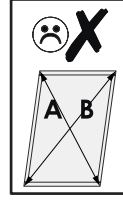
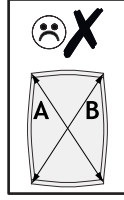
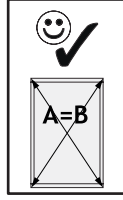


4

p21 x 12



Ø 4,2x16mm

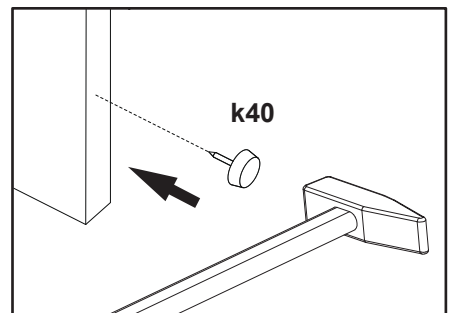
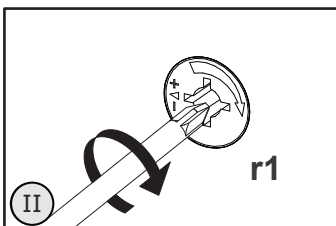
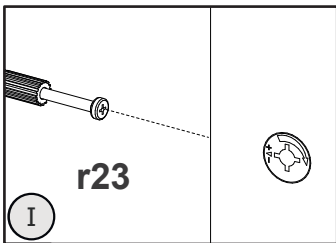
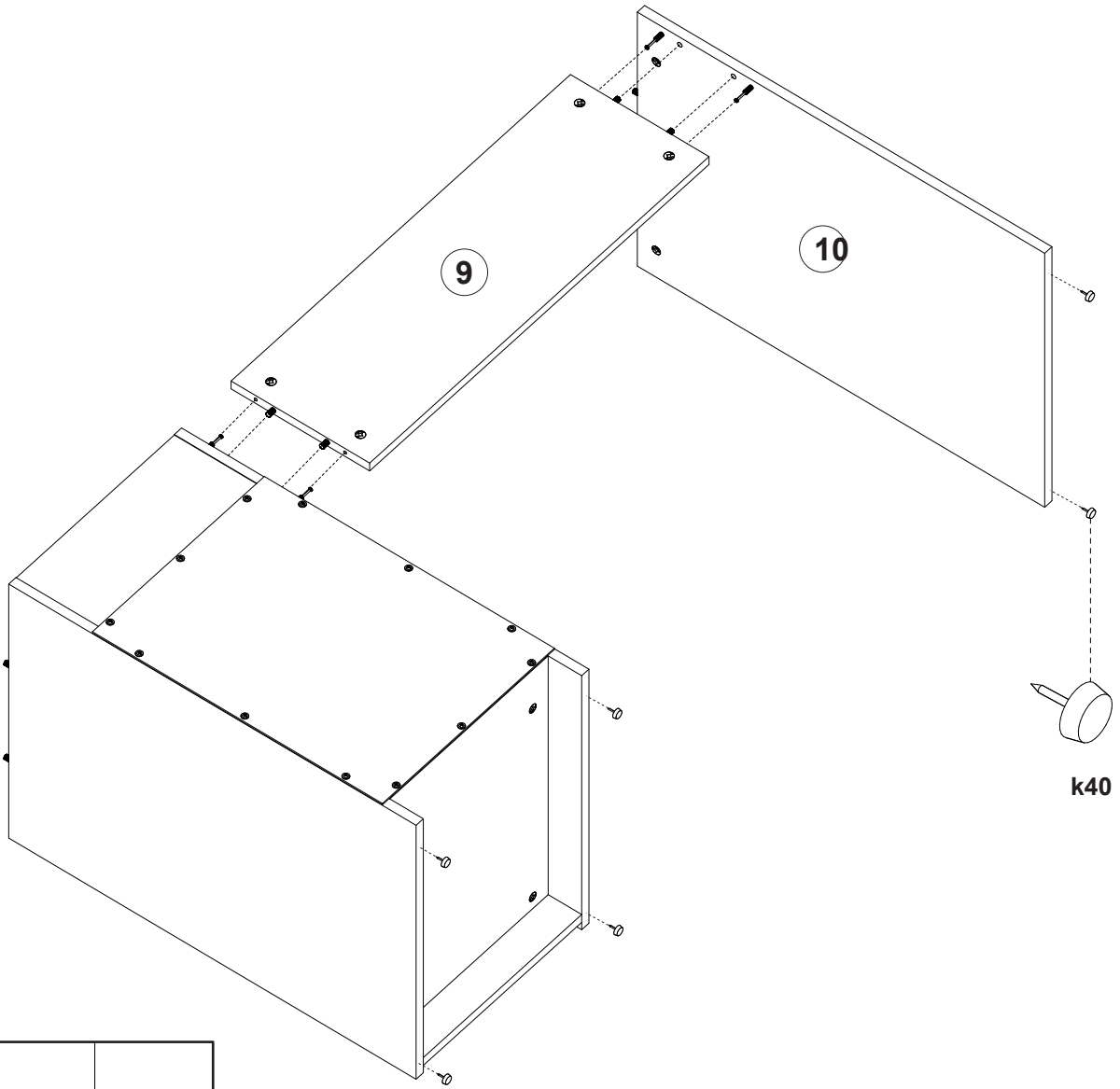


5

k40 x 6



Ø 15mm

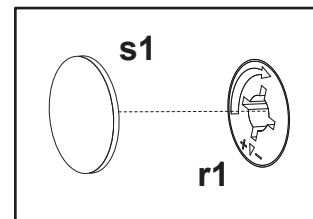
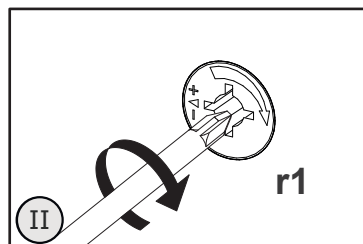
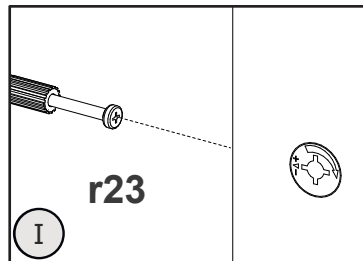
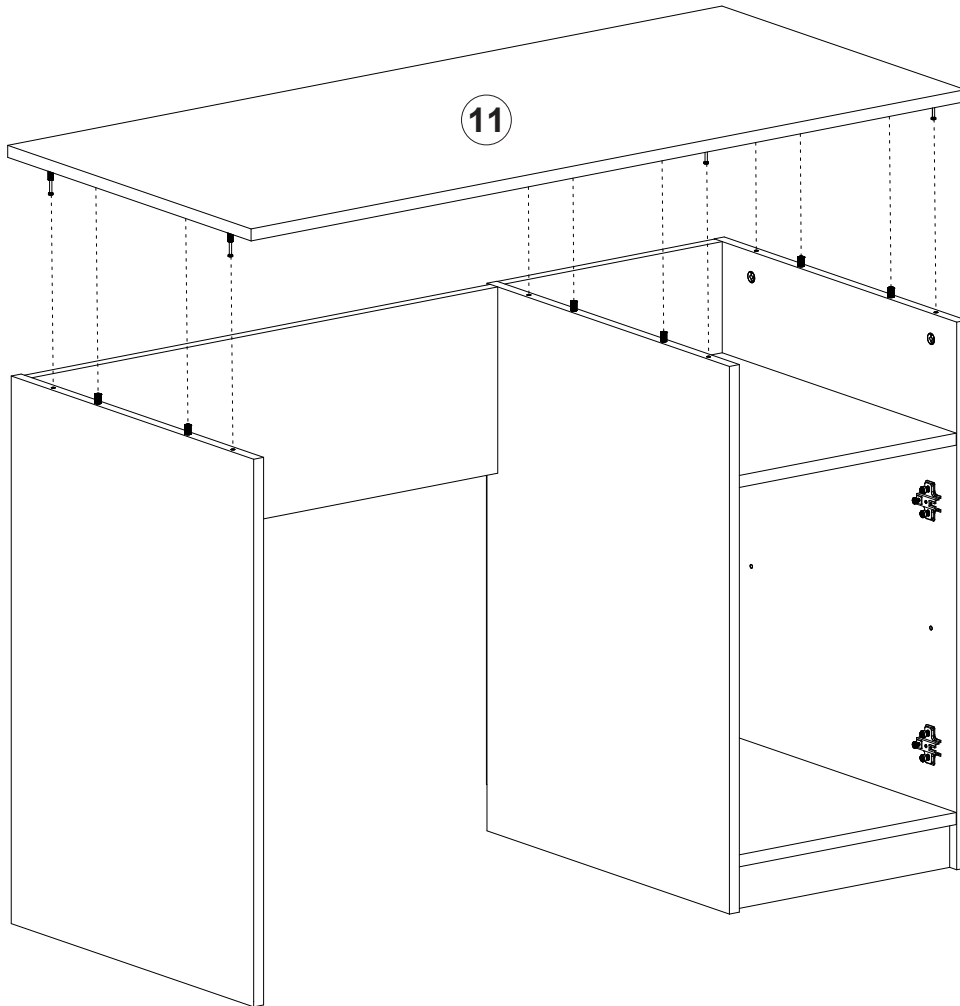


6

s1 x 6



Ø 20mm

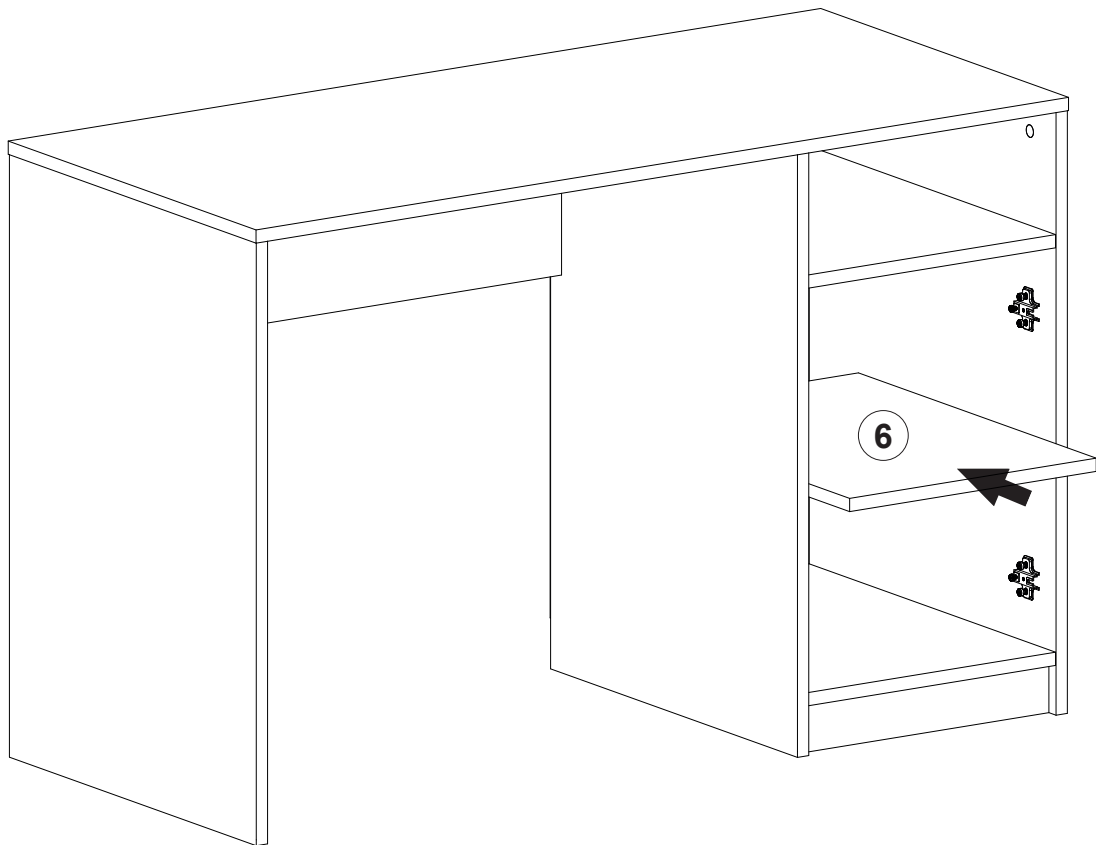
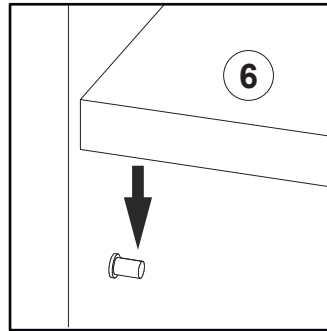
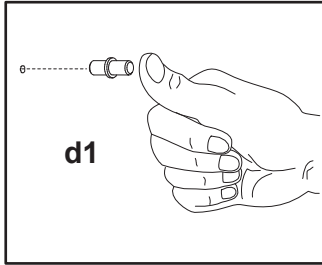


7

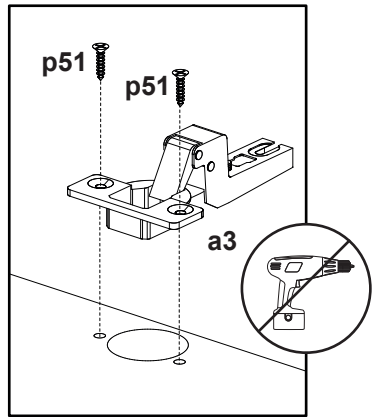
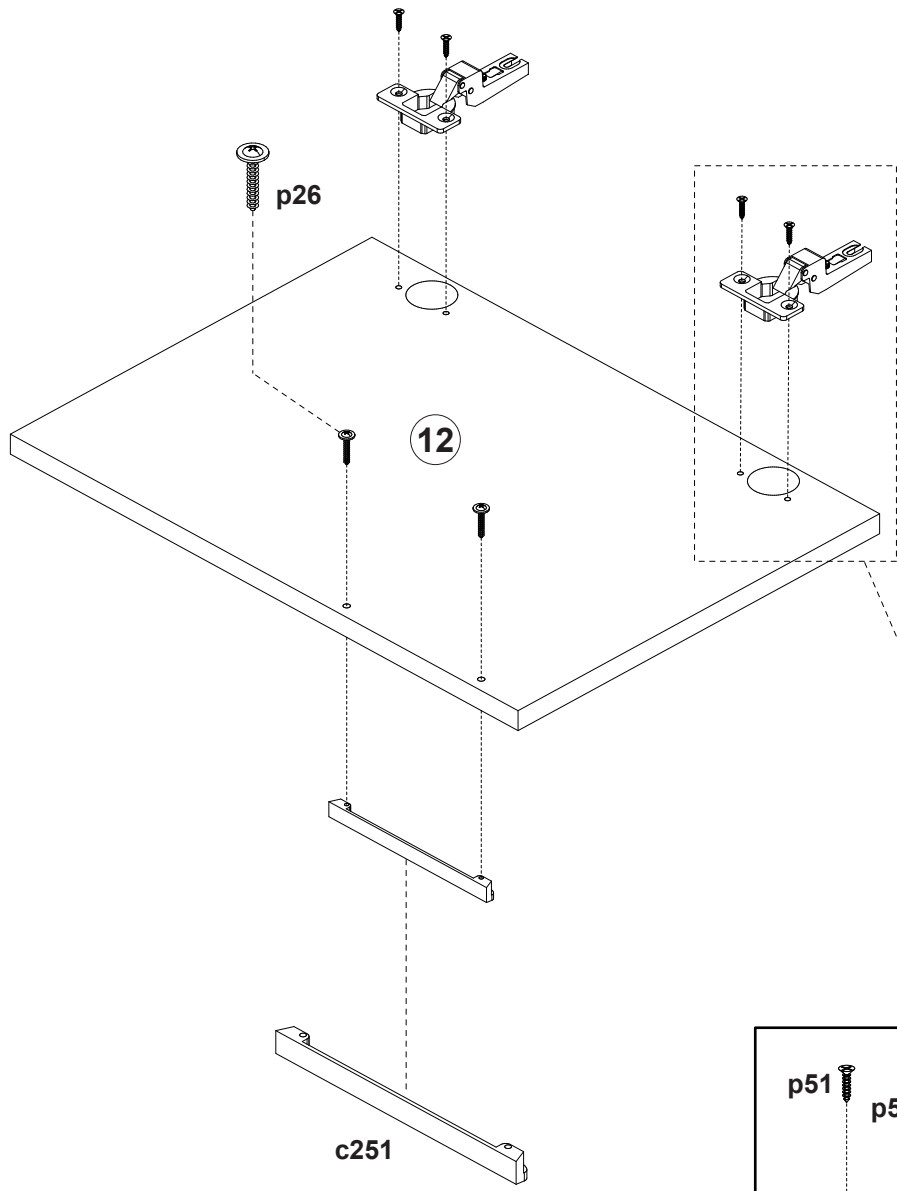
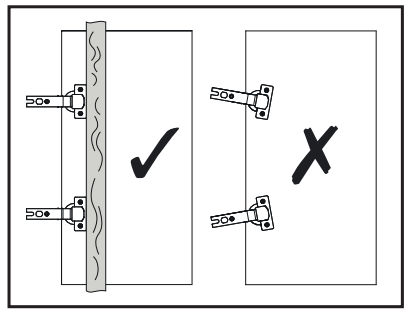
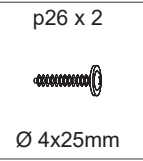
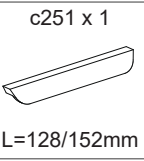
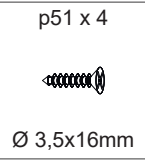
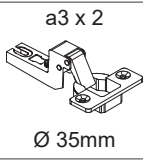
d1 x 4



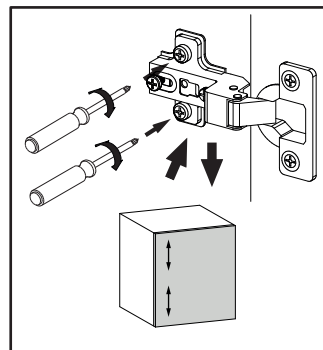
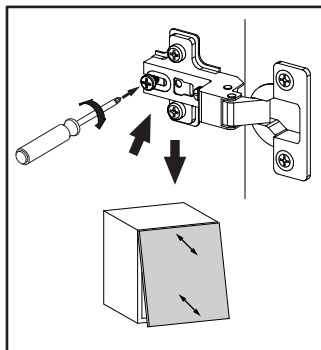
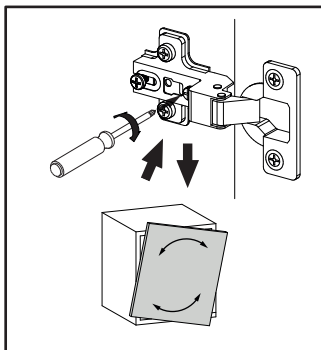
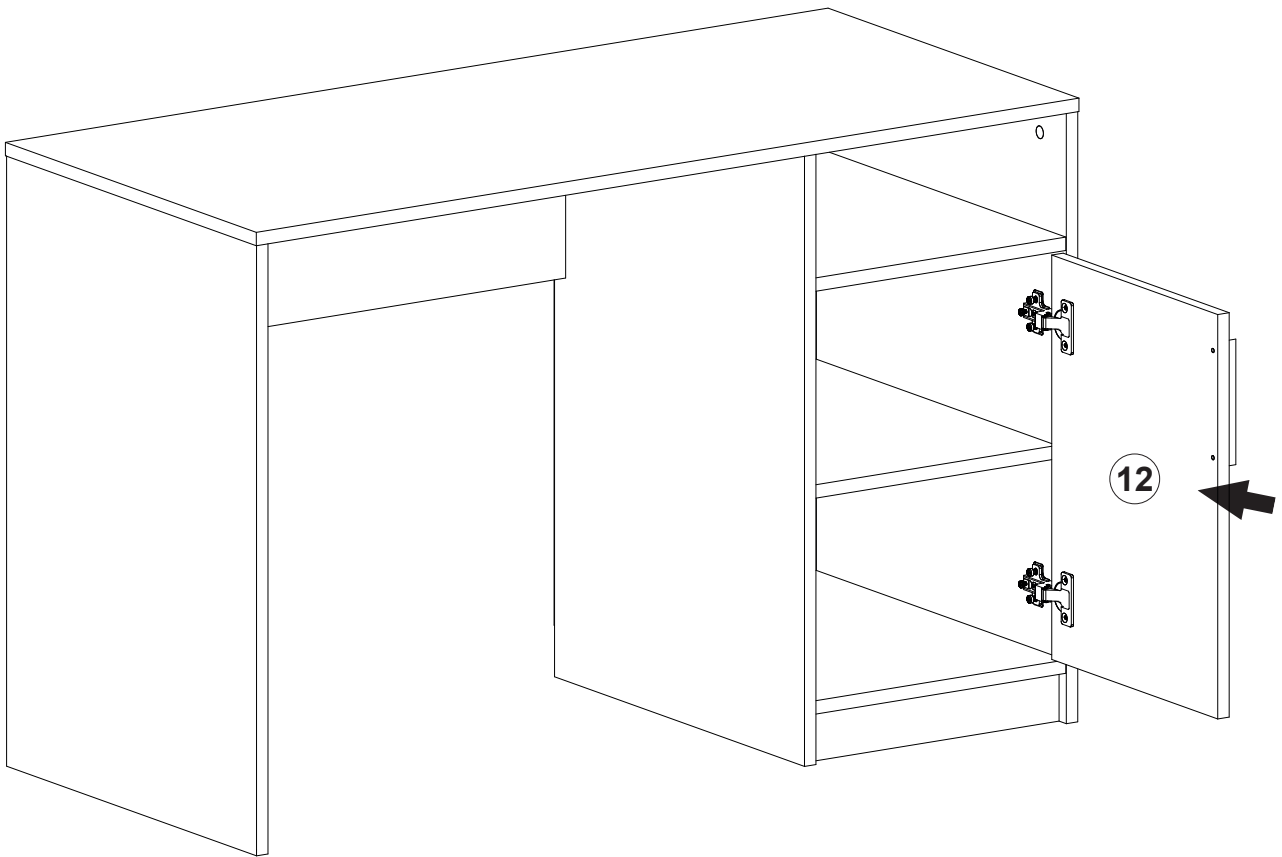
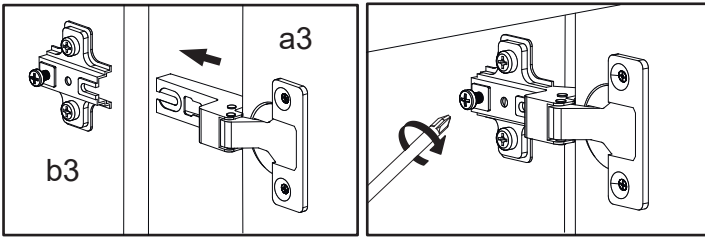
Ø 5mm

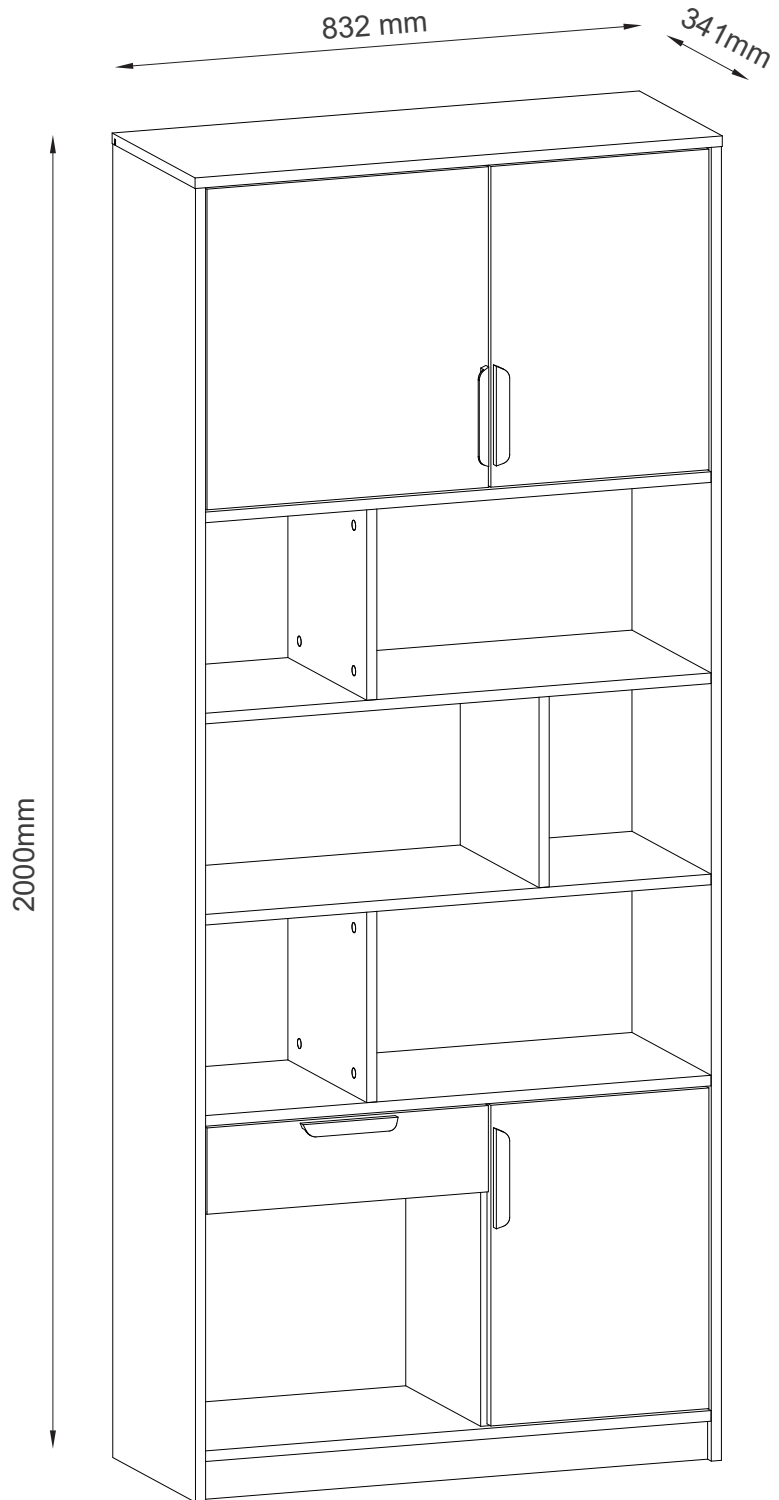
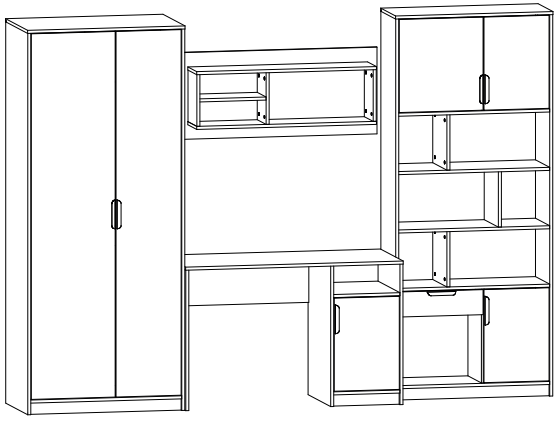


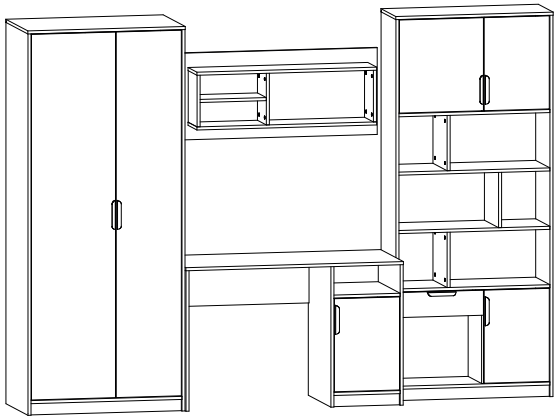
8



9

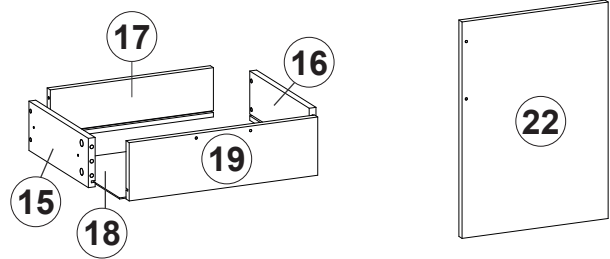
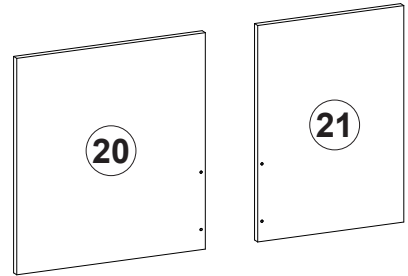
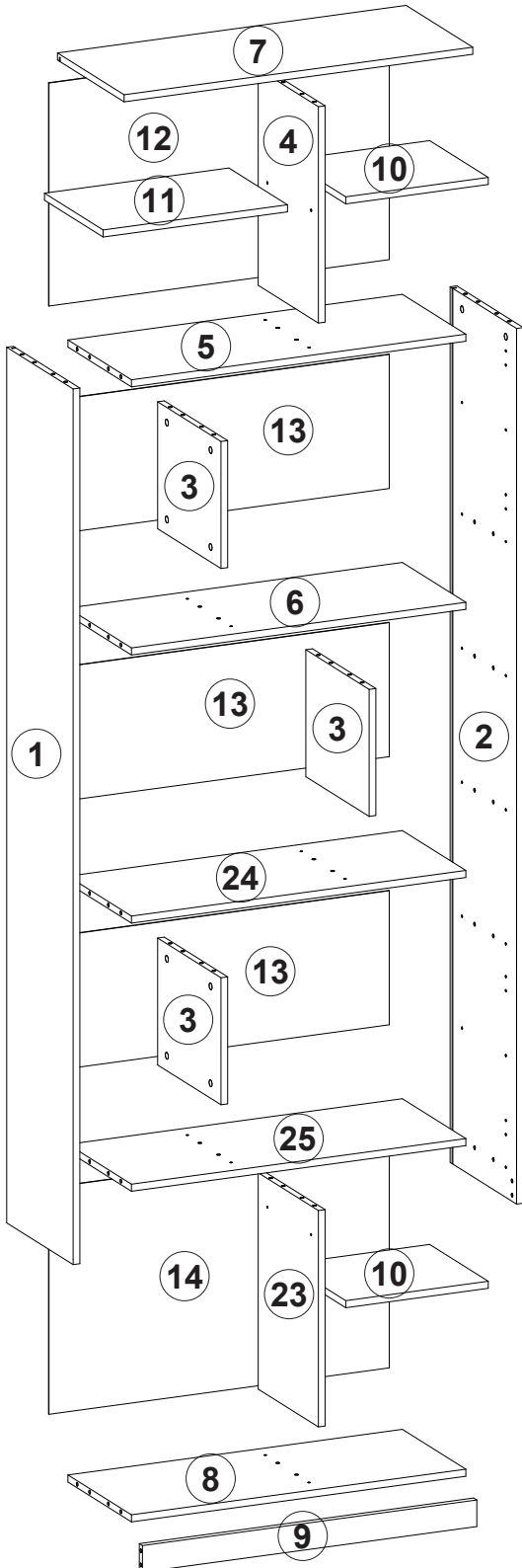




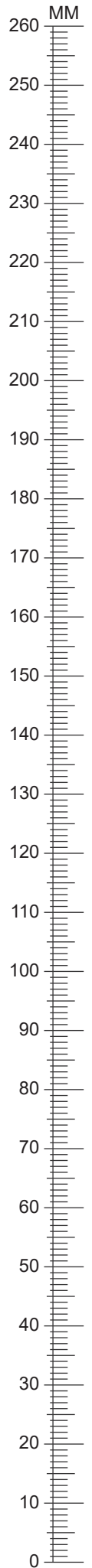
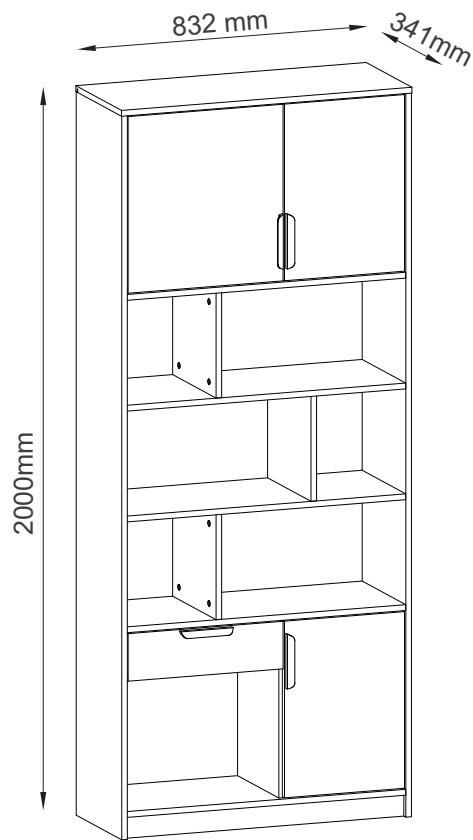


max. 5KG = 5 6 7 8 10 11

max. 3KG = 18



A	B (mm)		C	D
1	1979	340	16	x1 2/6
2	1979	340	16	x1 2/6
3	287	324	16	x3 4/6
4	489	308	16	x1 3/6
5	798	325	16	x1 2/6
6	798	325	16	x1 2/6
7	832	341	16	x1 3/6
8	798	325	16	x1 3/6
9	798	60	16	x1 3/6
10	340	300	16	x2 3/6
11	440	300	16	x1 3/6
12	812	504	2,5	x1 3/6
13	812	303	2,5	x3 2/6
14	802	512	2,5	x1 3/6
15	300	110	16	x1 3/6
16	300	110	16	x1 3/6
17	384	110	16	x1 3/6
18	400	300	2,5	x1 2/6
19	444	230	16	x1 3/6
20	444	130	16	x1 3/6
21	483	344	16	x1 3/6
22	483	344	16	x1 3/6
23	489	308	16	x1 3/6
24	798	325	16	x1 2/6
25	798	325	16	x1 2/6



1x 4mm z1	4x Ø 6,3x50mm e27	50x Ø 8x30mm f1
48x 45mm r23	48x Ø 15x12mm r1	36x Ø 20mm s1
1x L=300mm n2	6x Ø 35mm ab3	4x L=128/152mm c251
12x Ø 5mm d1	17x 10x10x15mm l2	16x L=20x10x2 mm n108
5x Ø 15mm k40	1x L=75x25x15mm n14/2	22x Ø 3x16mm p50
12x Ø 3,5x16mm p51	8x Ø 4x25mm p26	12x Ø 4,2x16mm p21
4x Ø 5x13 mm e3		

1

f1 x 24



Ø 8x30mm

r1 x 20



Ø 15x12mm

r23 x 26



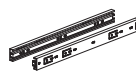
45mm

b2 x 6



40x50x12mm

n2 x 1

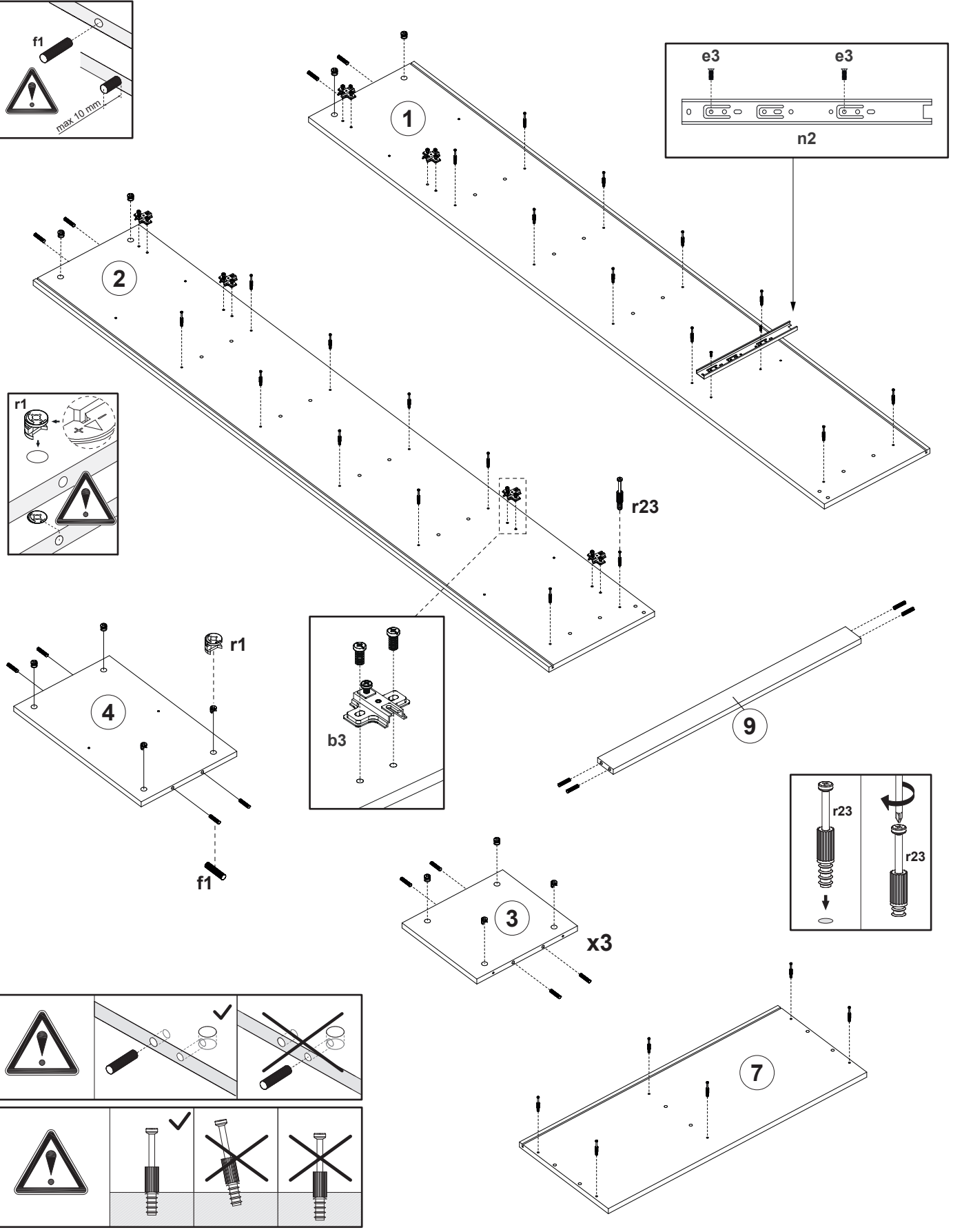
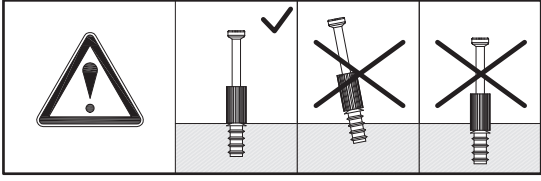
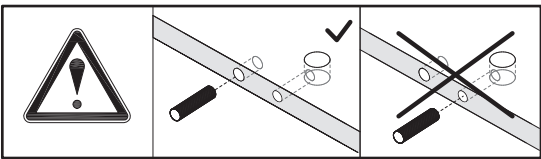
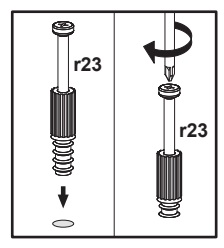
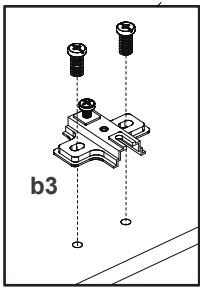
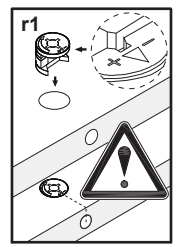
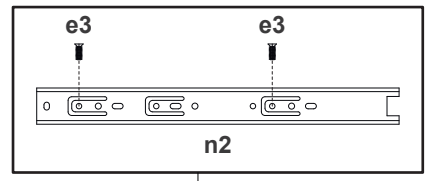
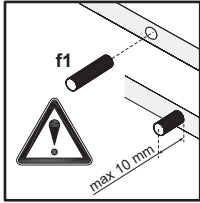


L=300mm

e3 x 2



Ø 5x13mm



2

f1 x 24



Ø 8x30mm

r1 x 24



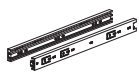
Ø 15x12mm

r23 x 10



45mm

n2 x 1

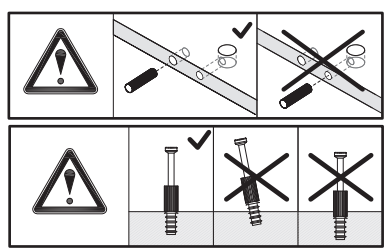
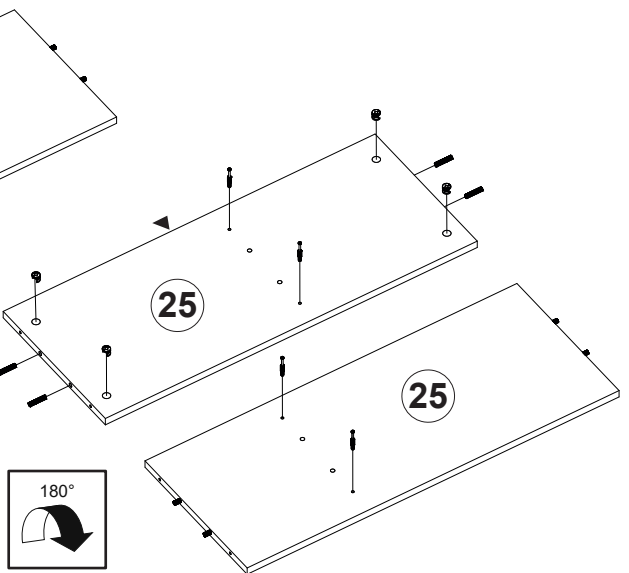
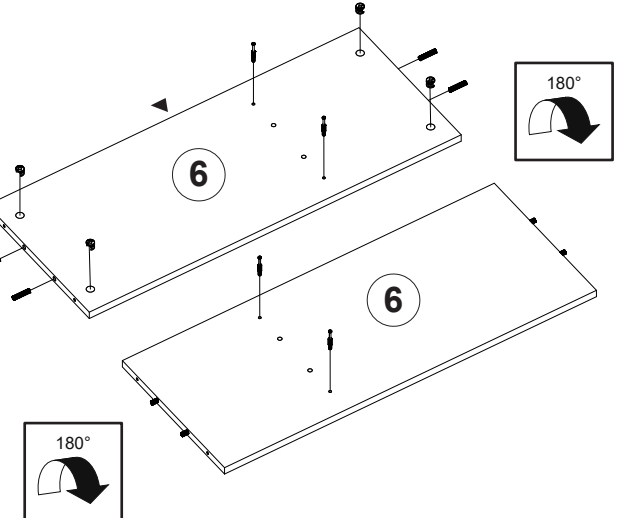
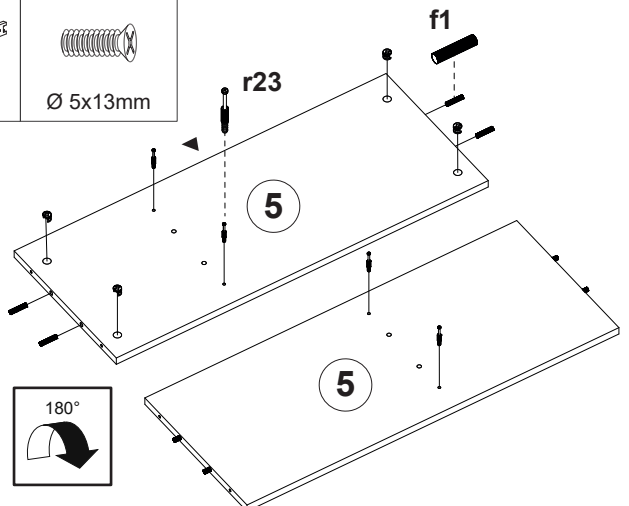
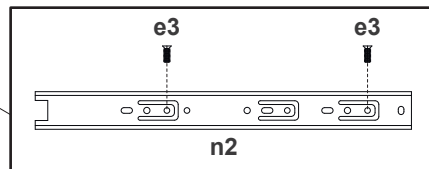
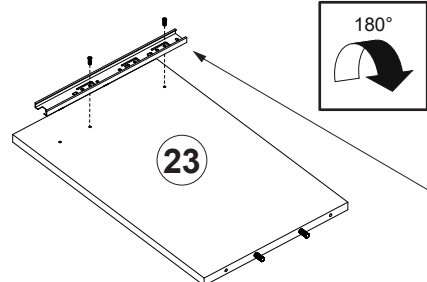
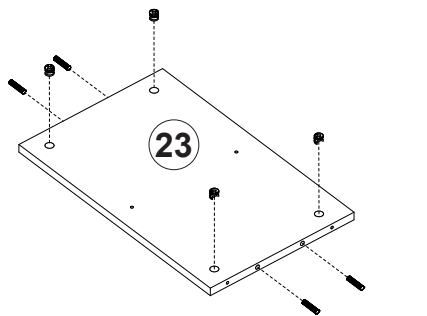
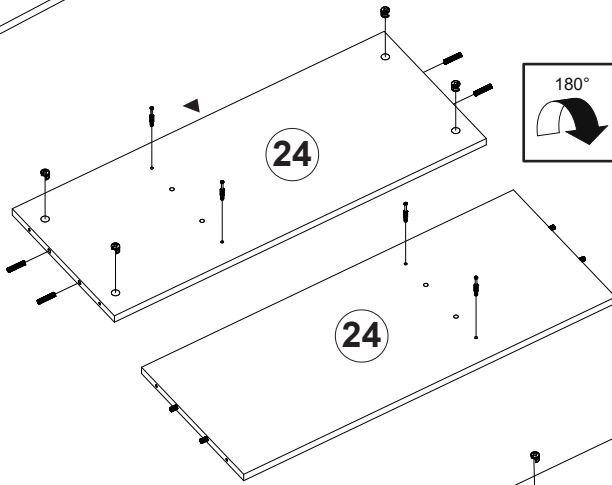
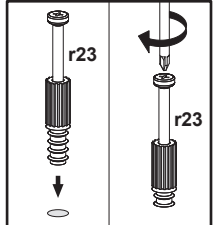
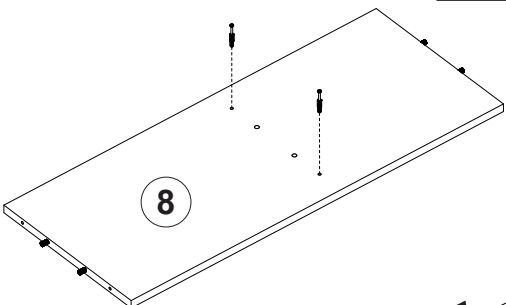
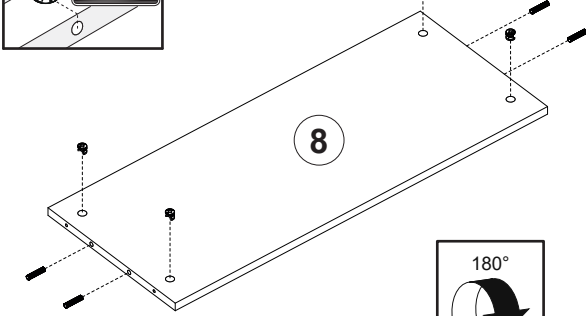
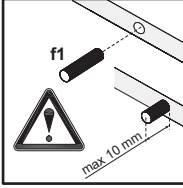


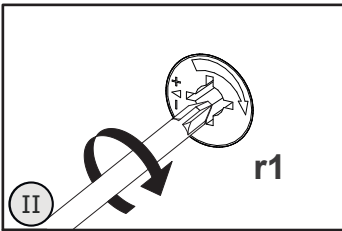
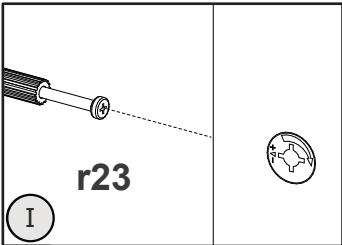
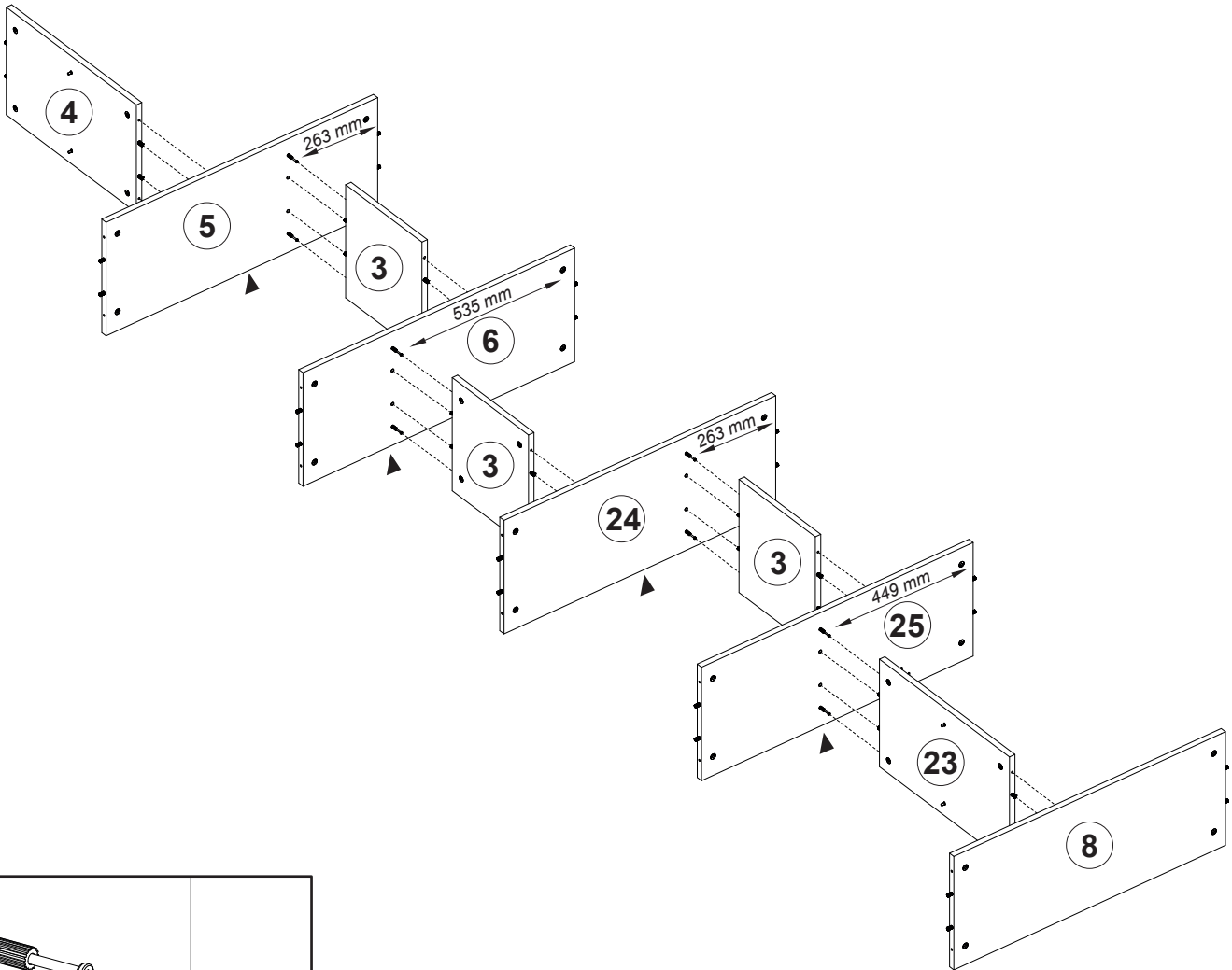
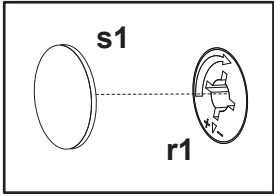
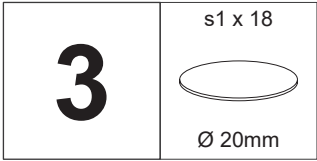
L=300mm


e3 x 2

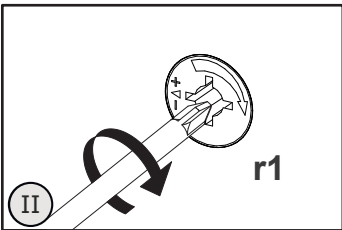
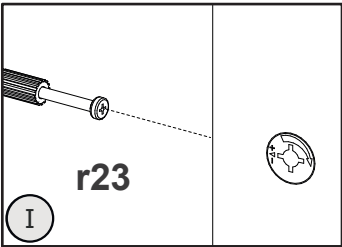
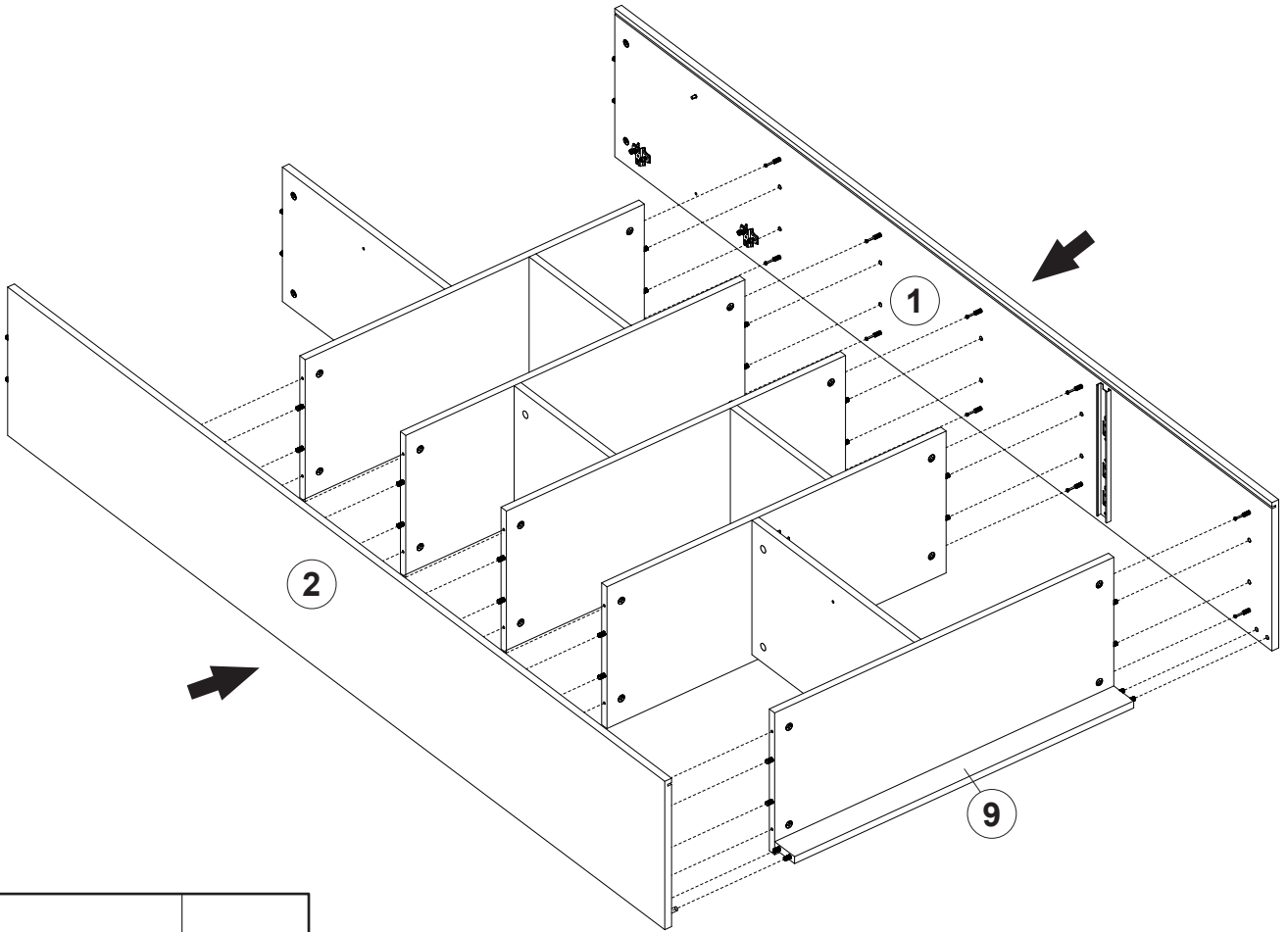
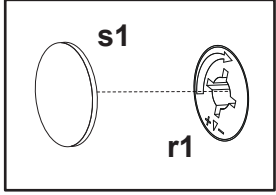


Ø 5x13mm





4	s1 x 16
	
	Ø 20mm

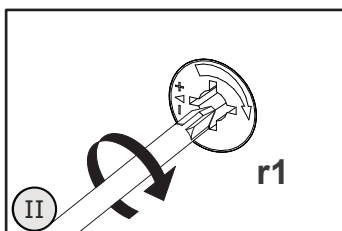
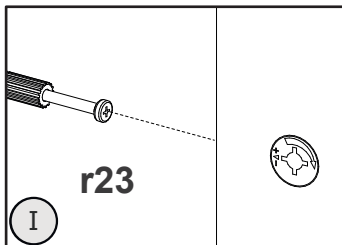
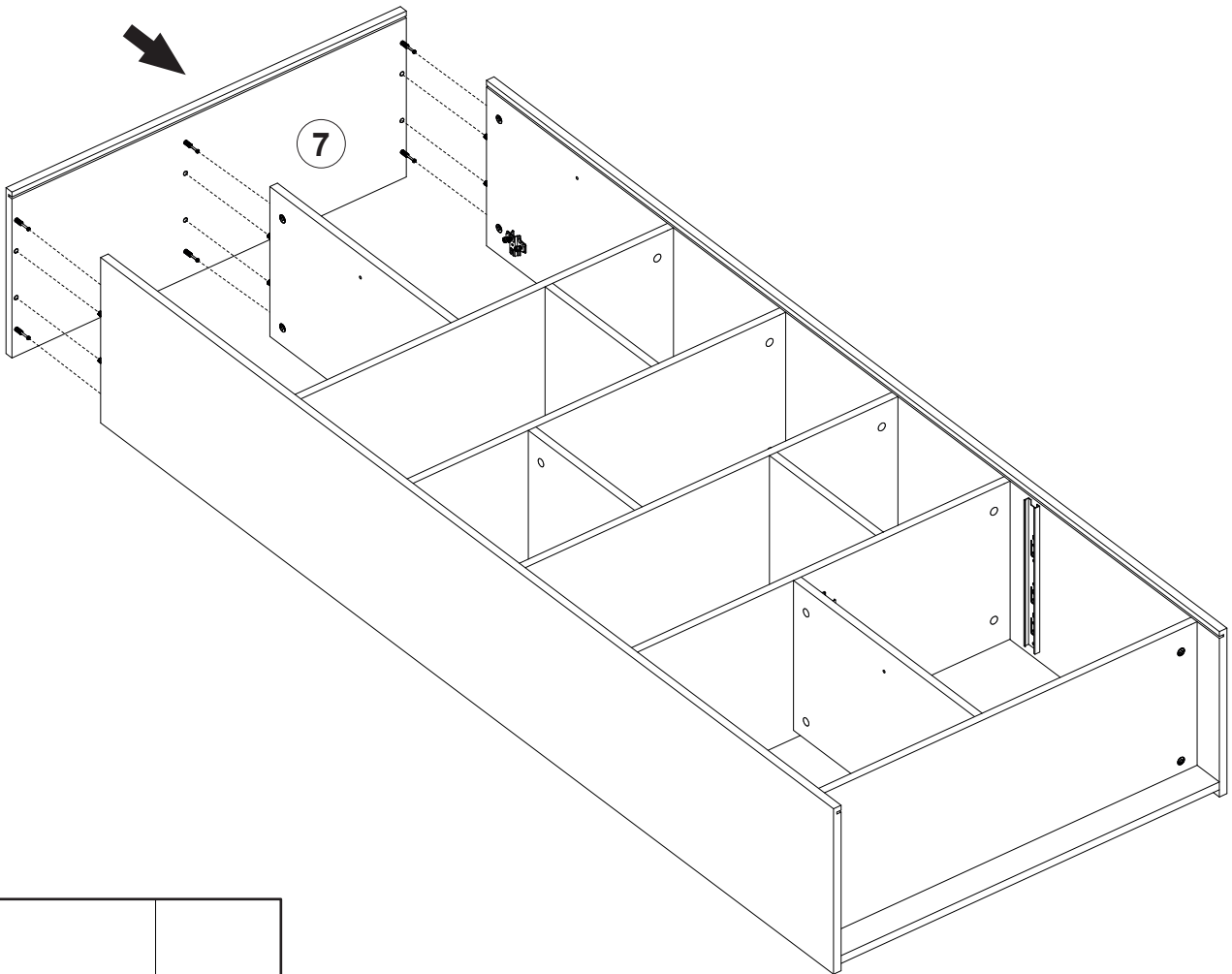
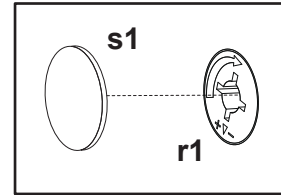


5

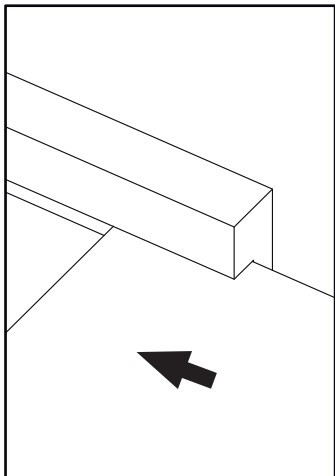
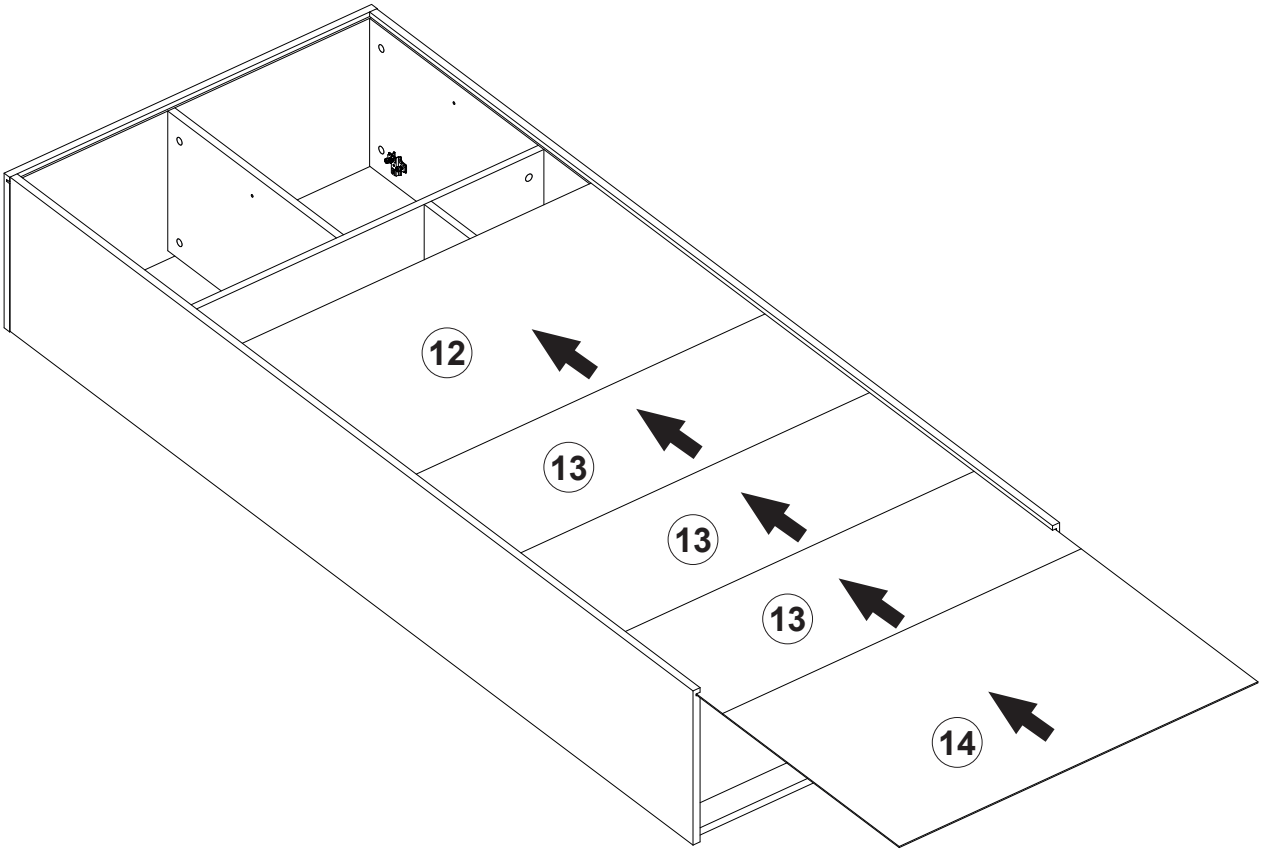
s1 x 6





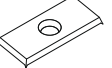


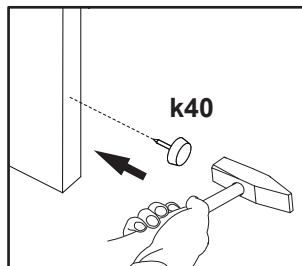
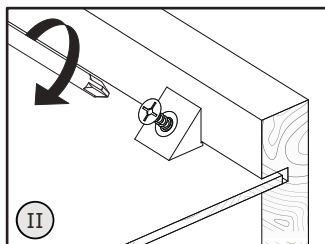
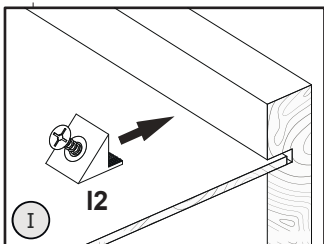
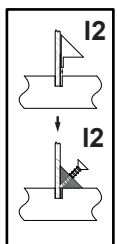
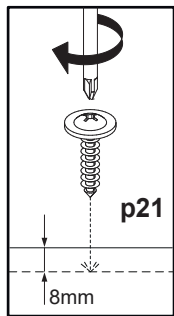
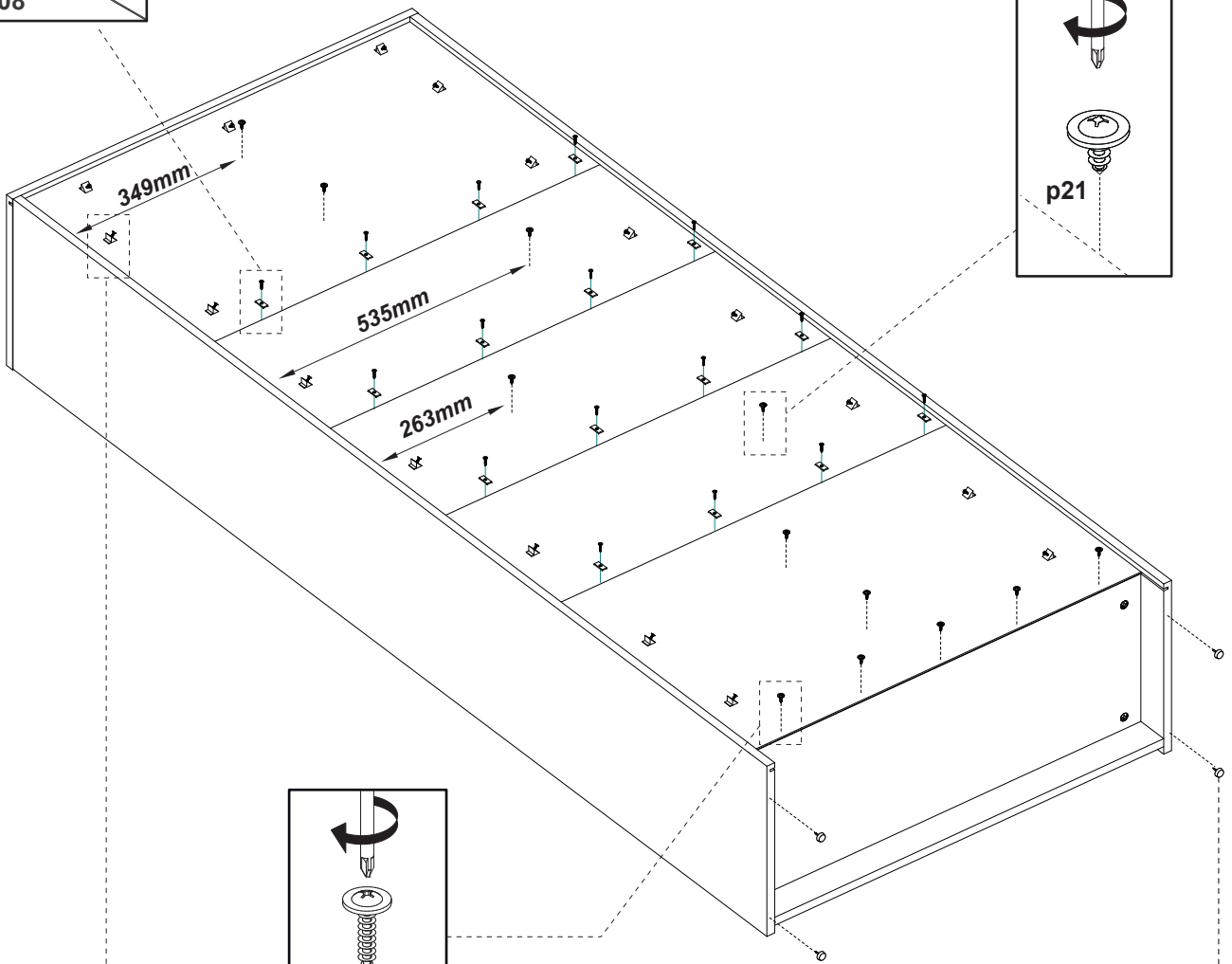
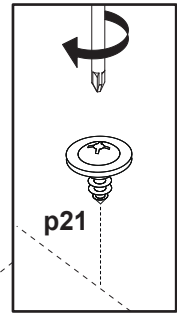
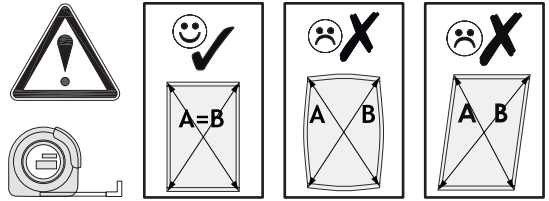
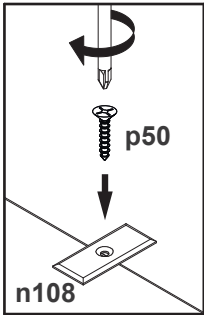
Ø 20mm



6

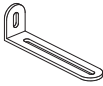


7	I2 x 17  10x10x15mm	k40 x 4  Ø 15mm	p21 x 12  Ø 4,2x16mm	p50 x 16  Ø 3x16mm	n108 x 16  L=20x10x2mm
----------	--	--	---	---	--



8

n14/2 x 1

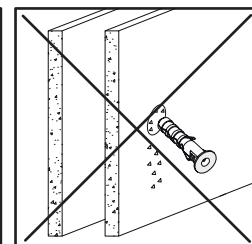
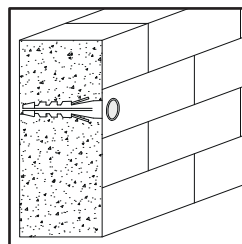
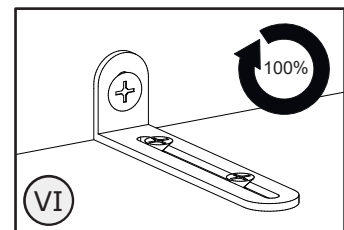
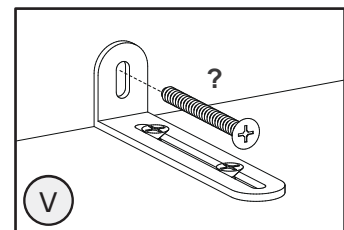
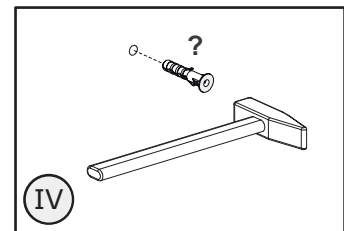
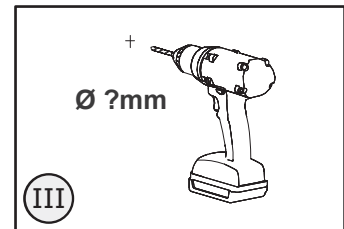
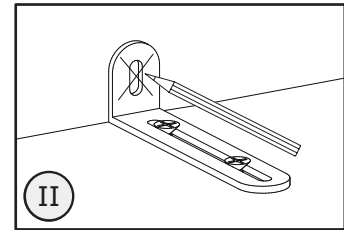
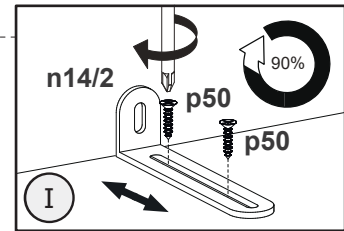
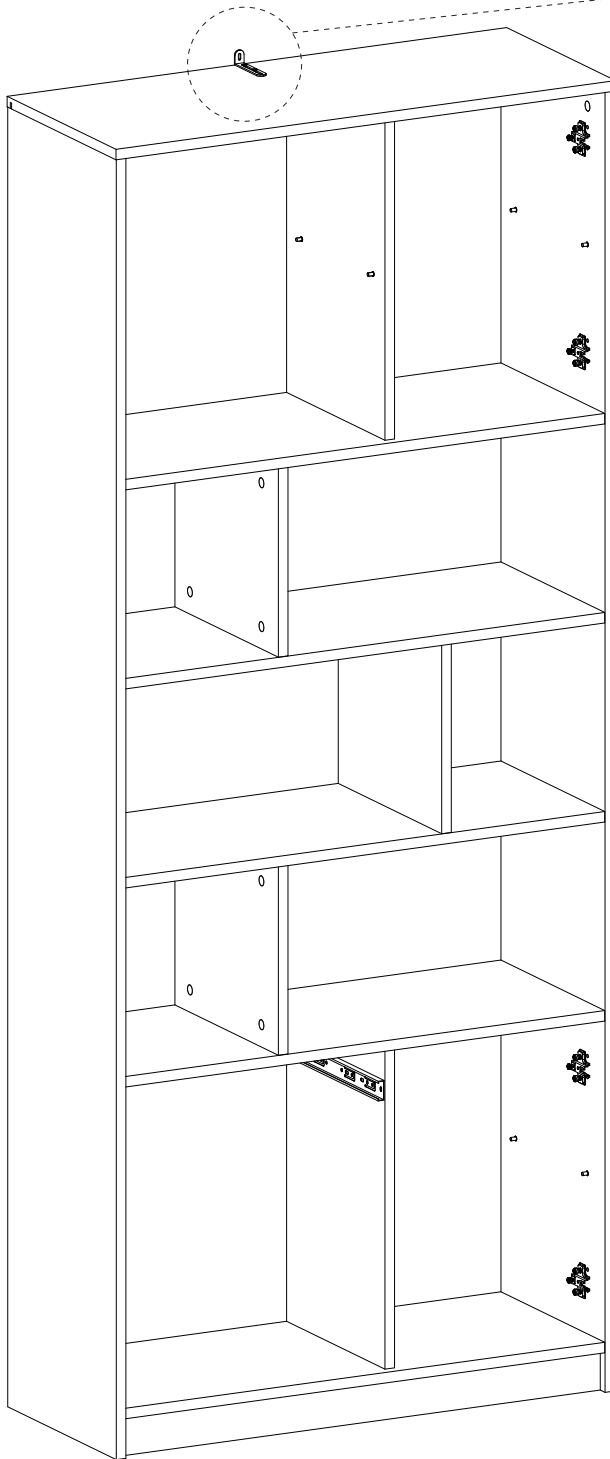


L=75x25x15mm

p50 x 2



Ø 3x16mm



9

f1 x 2



Ø 8x30mm

r1 x 4



Ø 15x12mm

r23 x 4



45mm

z1 x 1



4mm

e27 x 4



Ø 6,3x50mm

c251 x 1

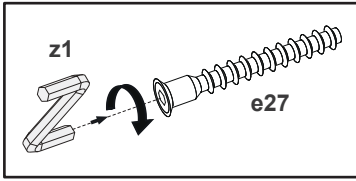


L=128/152mm

p26 x 2

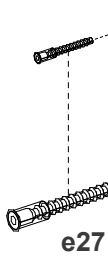


Ø 4x25mm



z1

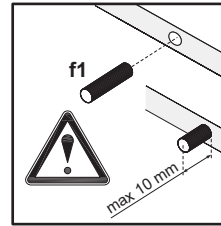
e27



e27

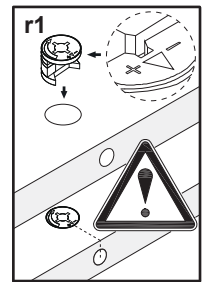
r1

f1

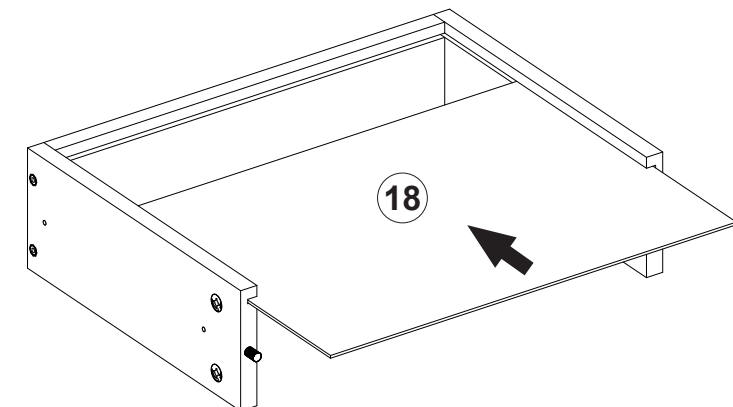
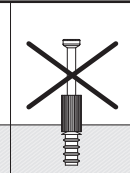
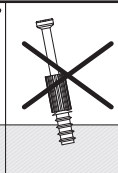
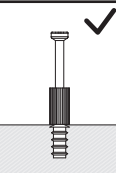
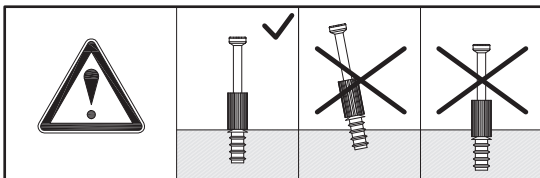
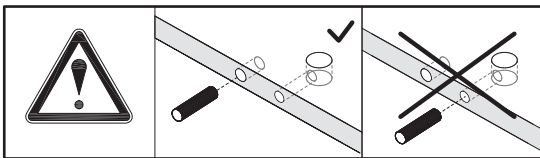


f1

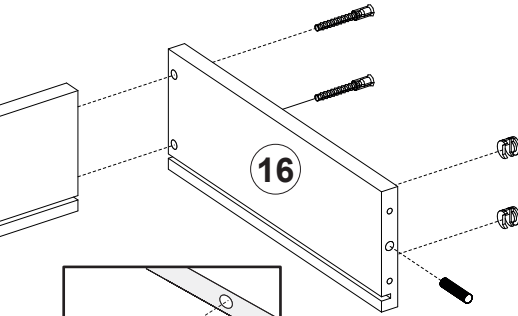
max 10 mm



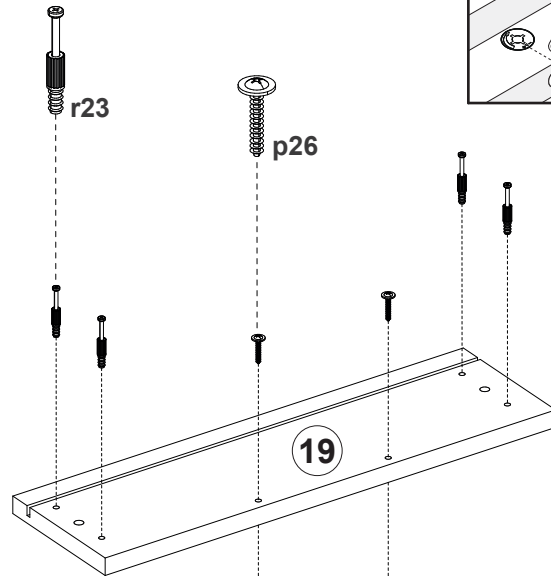
r1



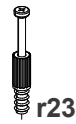
18



16



19



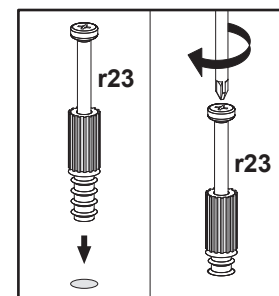
r23



p26



c251



r23

r23

10

n2 x 1



L=350mm

p50 x 4

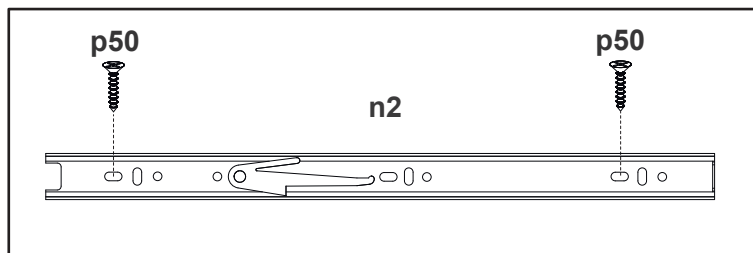
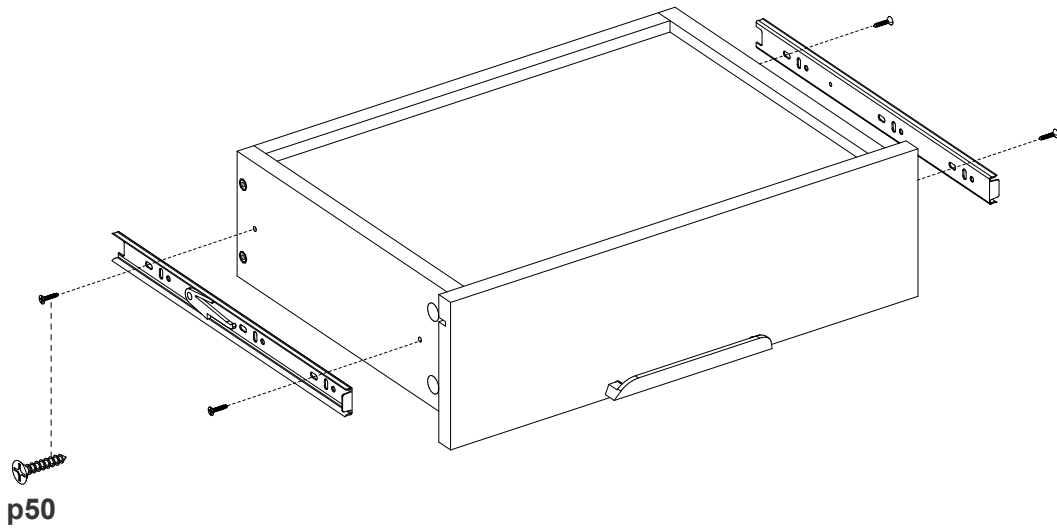
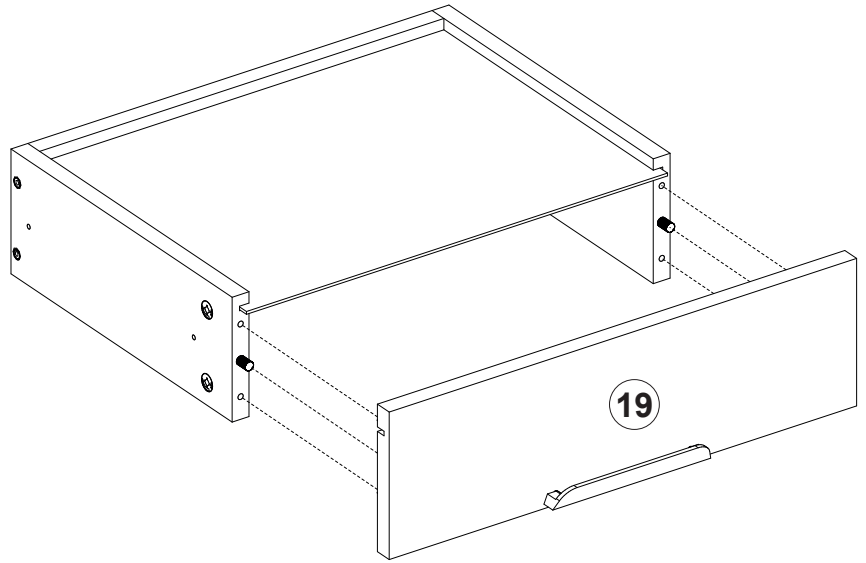
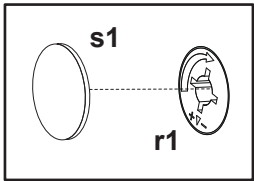
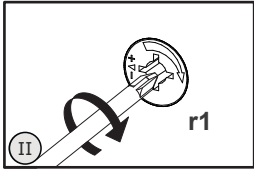
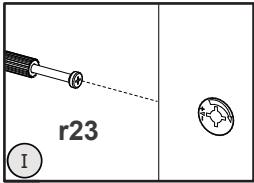


Ø 3x16mm

s1 x 4



Ø 20mm

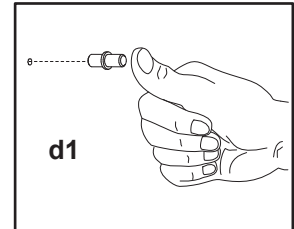
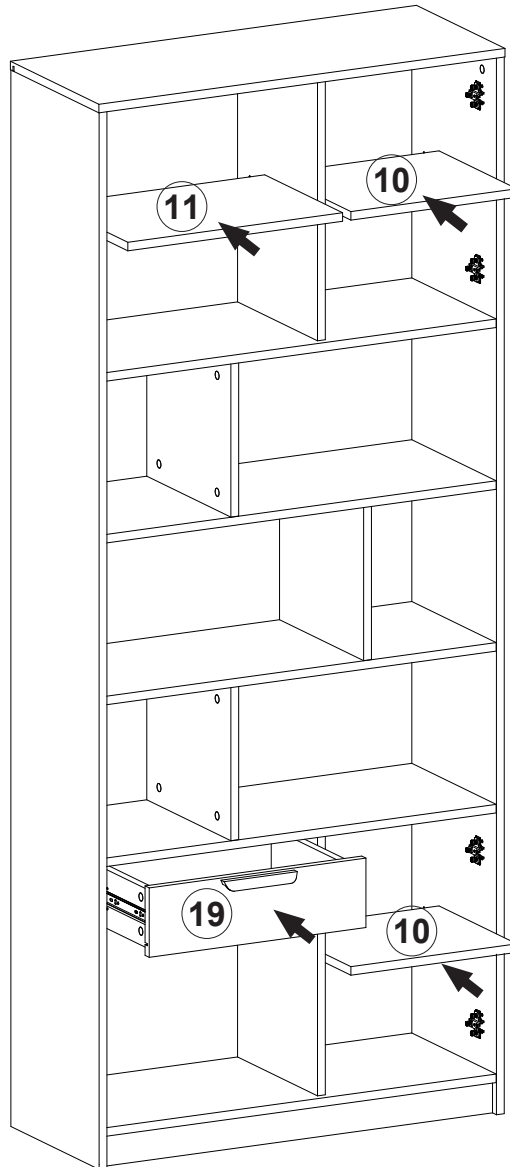
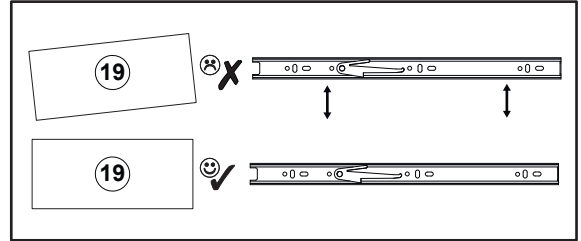
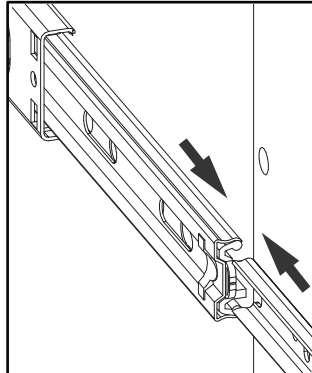
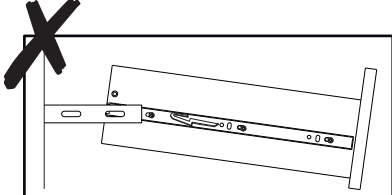
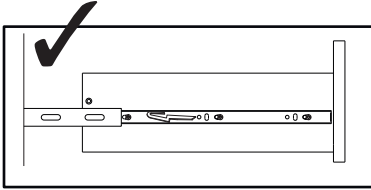


11

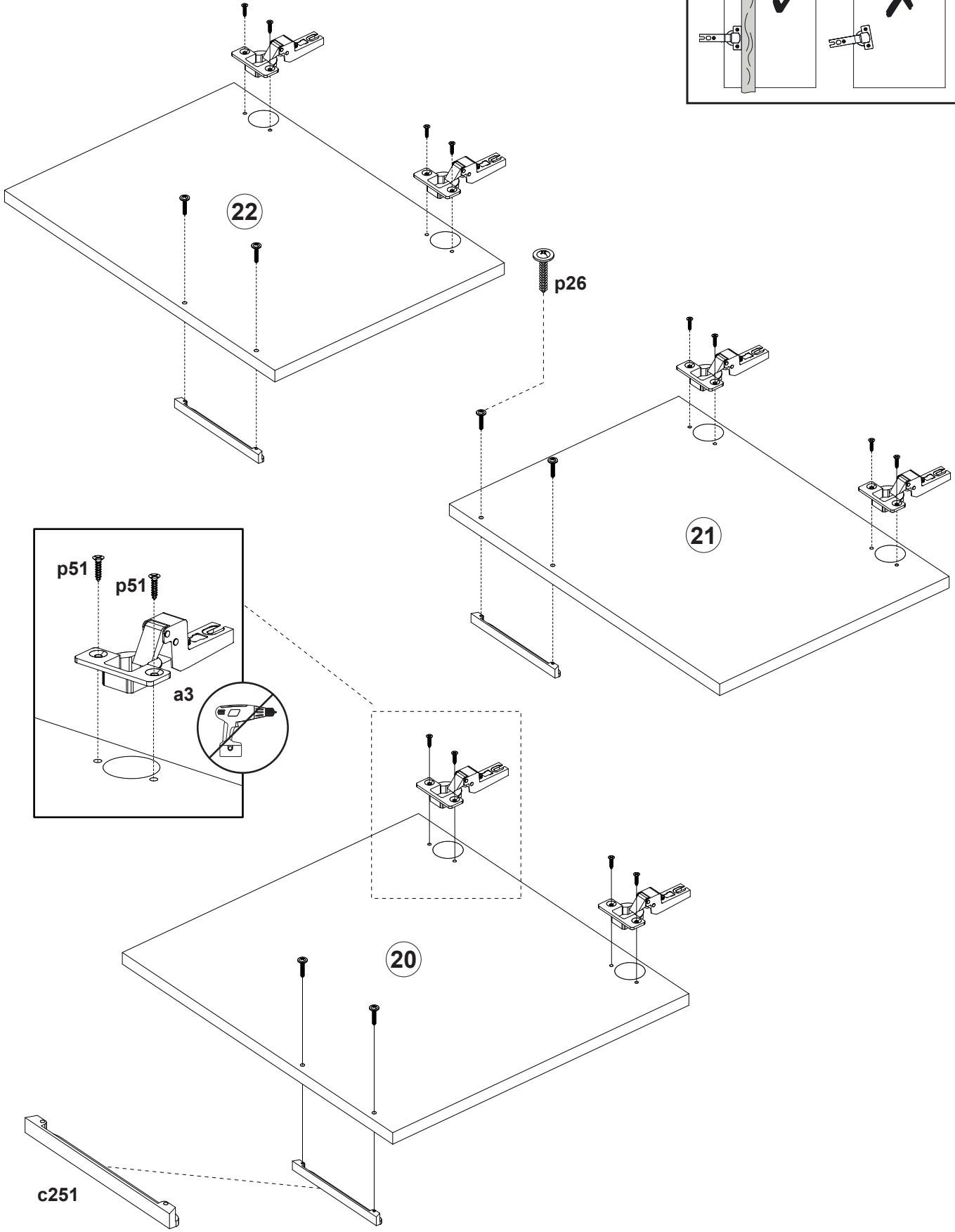
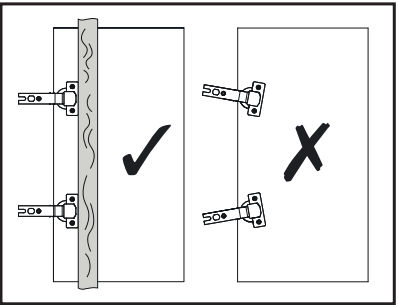
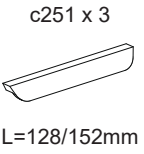
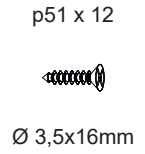
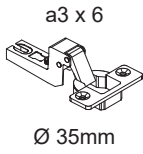
d1 x 12



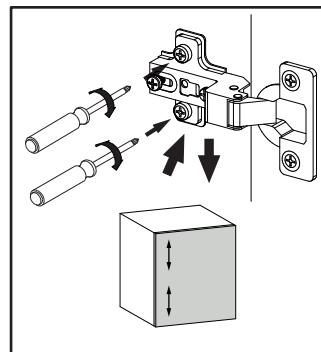
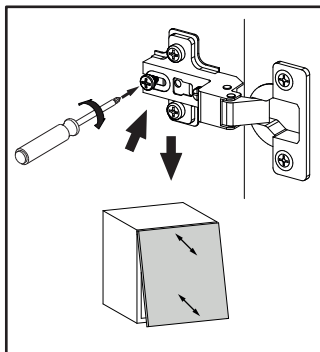
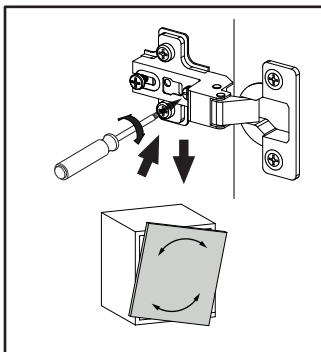
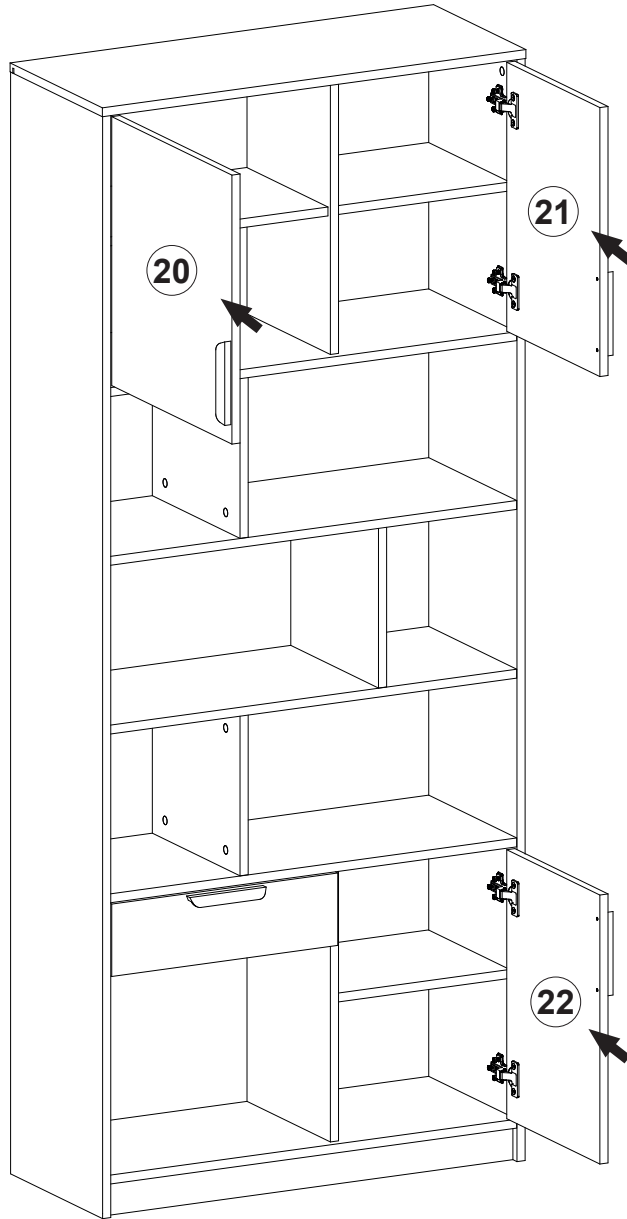
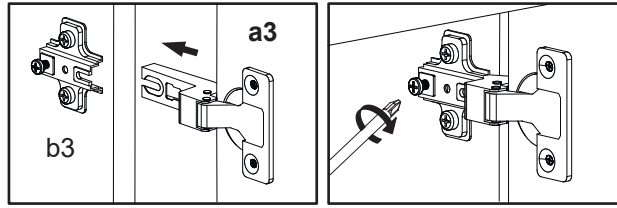
Ø 5mm

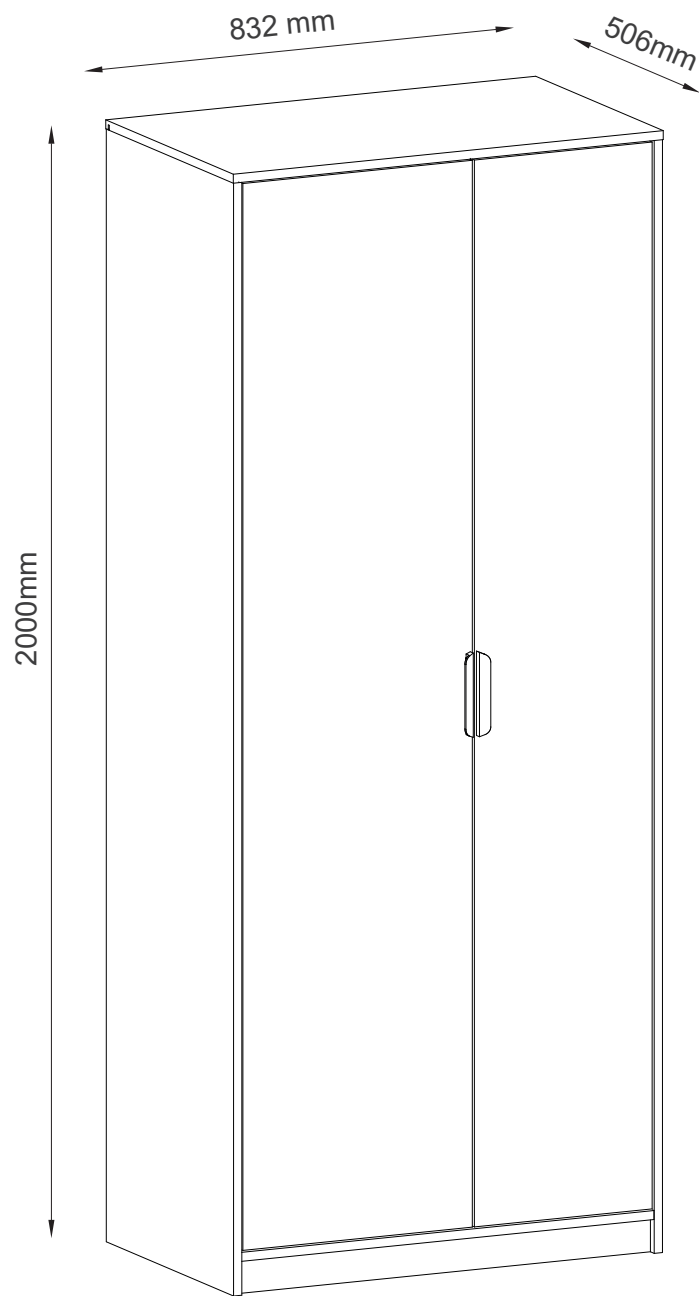
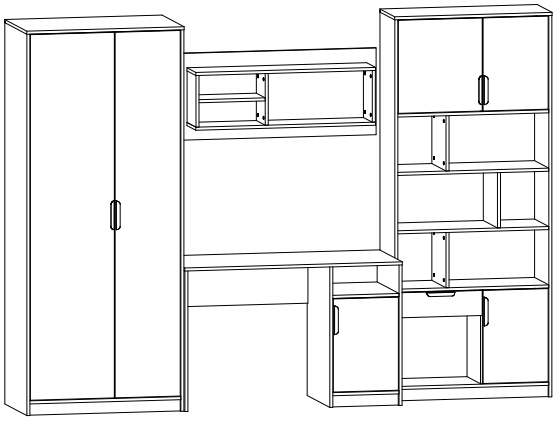


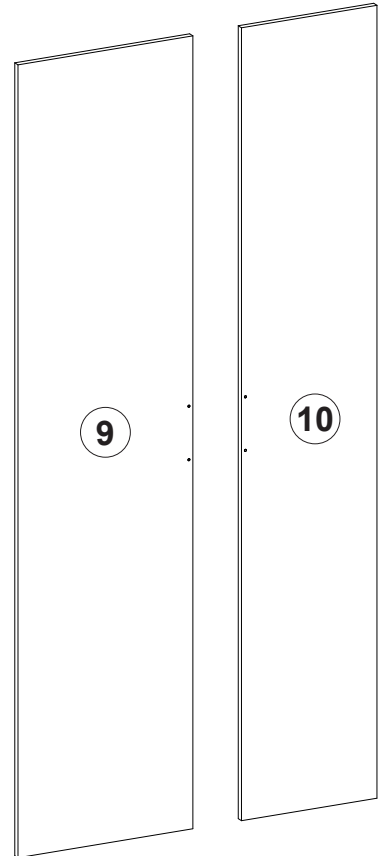
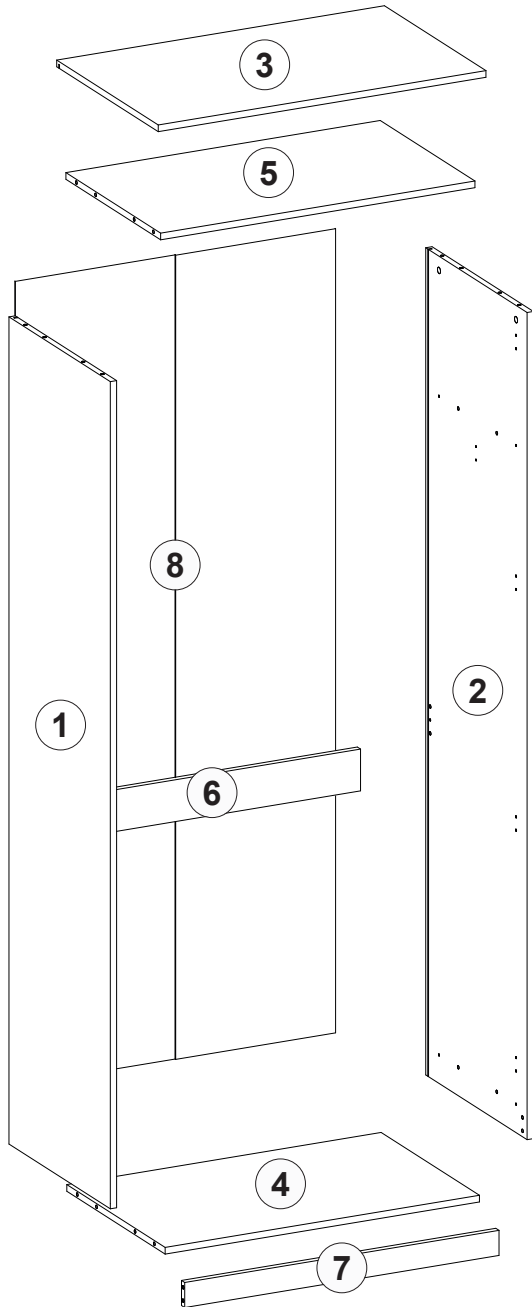
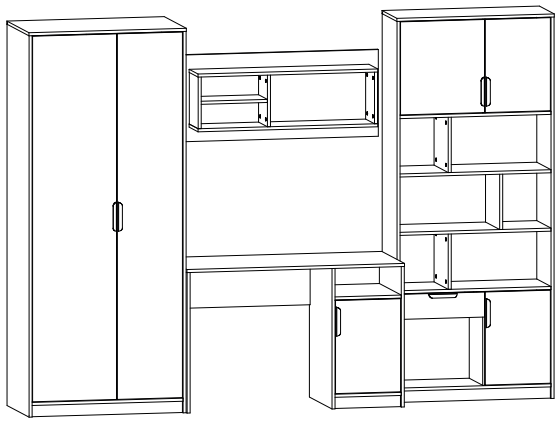
12



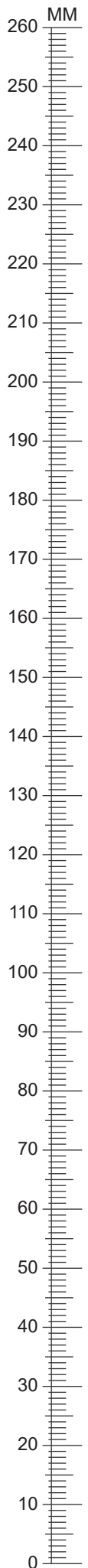
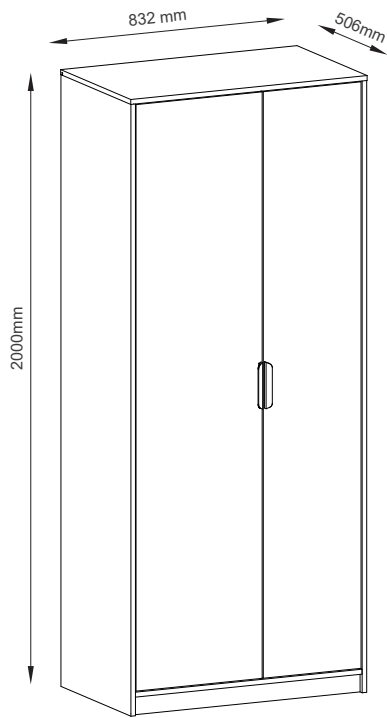
13


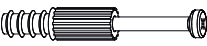



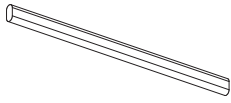
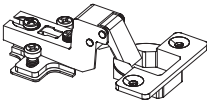
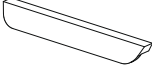

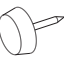
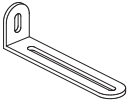











A	B (mm)			C	D
1	1979	505	16	x1	6/6
2	1979	505	16	x1	5/6
3	832	506	16	x1	5/6
4	798	490	16	x1	5/6
5	798	472	16	x1	5/6
6	798	100	16	x1	5/6
7	798	60	16	x1	5/6
8	1924	812	2,5	x1	5/6
9	1897	444	16	x1	6/6
10	1897	344	16	x1	5/6



<p>20x</p>  <p>Ø 8x30mm</p> <p>f1</p>	<p>14x</p>  <p>45mm</p> <p>r23</p>	<p>14x</p>  <p>Ø 15x12mm</p> <p>r1</p>
<p>8x</p>  <p>Ø 20mm</p> <p>s1</p>	<p>2x</p>  <p>30x15mm</p> <p>t3</p>	<p>1x</p>  <p>L=794x23x15mm</p> <p>t1</p>
<p>8x</p>  <p>Ø 35mm</p> <p>ab3</p>	<p>2x</p>  <p>L=128/152mm</p> <p>c251</p>	<p>18x</p>  <p>10x10x15mm</p> <p>l2</p>
<p>5x</p>  <p>Ø 15mm</p> <p>k40</p>	<p>1x</p>  <p>L=75x25x15mm</p> <p>n14/2</p>	<p>2x</p>  <p>Ø 3x16mm</p> <p>p50</p>
<p>16x</p>  <p>Ø 3,5x16mm</p> <p>p51</p>	<p>4x</p>  <p>Ø 4x25mm</p> <p>p26</p>	<p>10x</p>  <p>Ø 4,2x16mm</p> <p>p21</p>
<p>4x</p>  <p>Ø 5x13 mm</p> <p>e3</p>		

1

f1 x 4



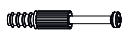
Ø 8x30mm

r1 x 4



Ø 15x12mm

r23 x 10



45mm

b3 x 8



40x50x12mm

t3 x 2

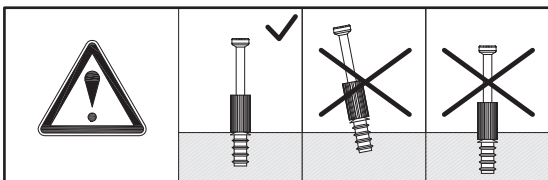
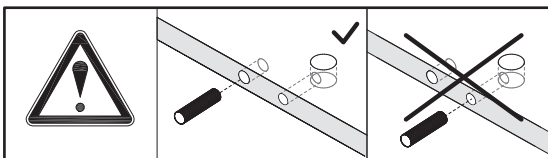
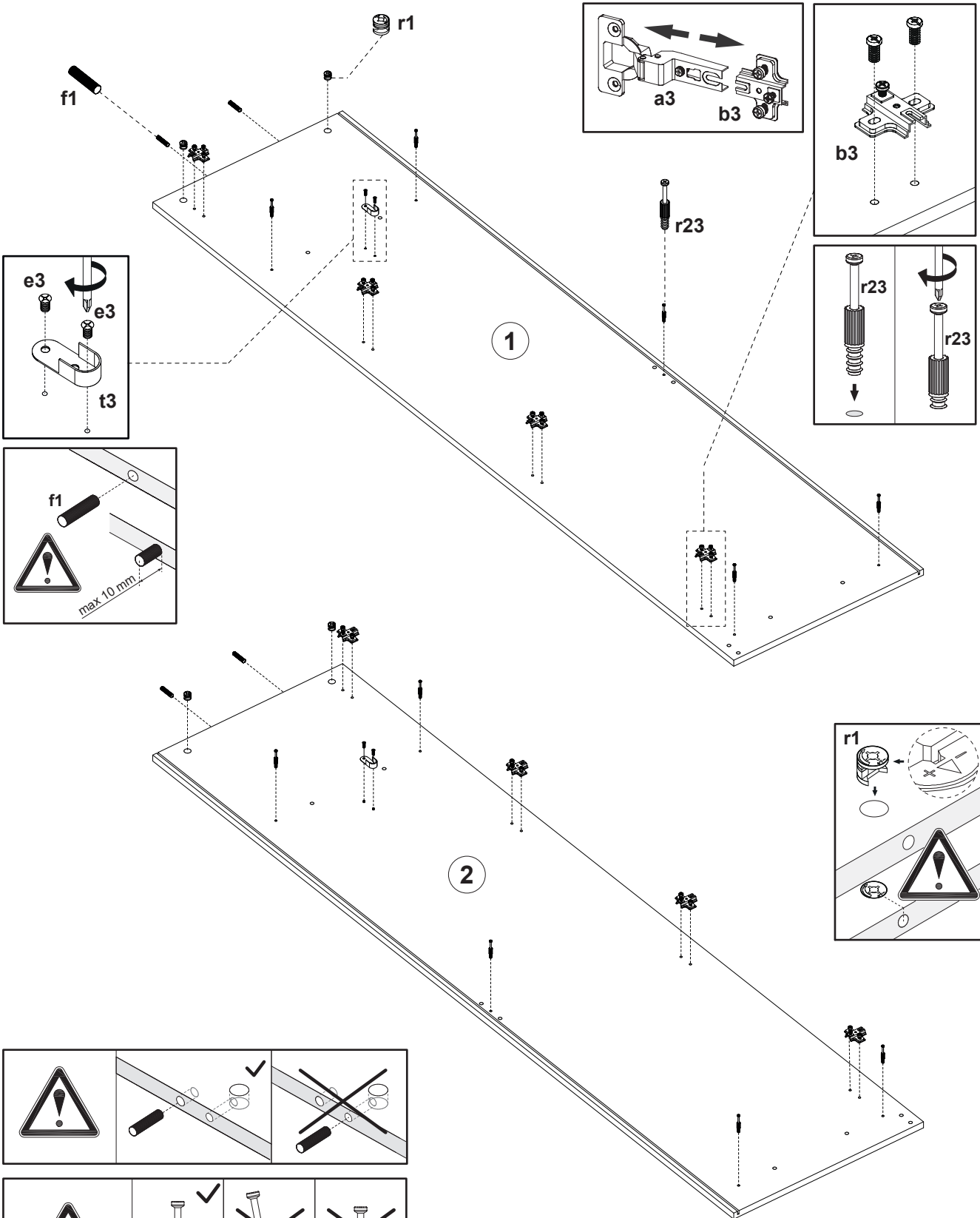


30x15mm

e3 x 4



Ø 5x13mm



2

f1 x 16



Ø 8x30mm

r1 x 10

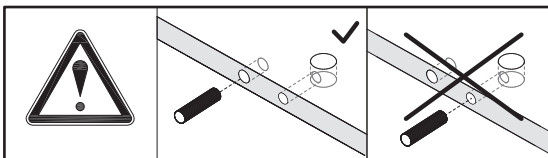
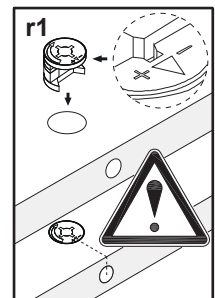
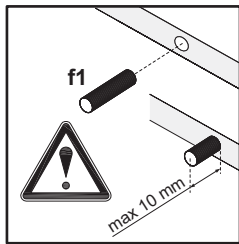
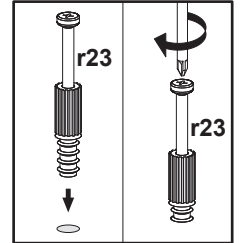
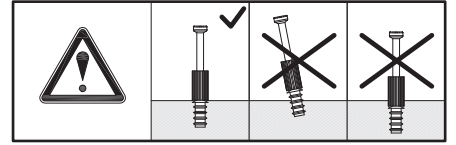
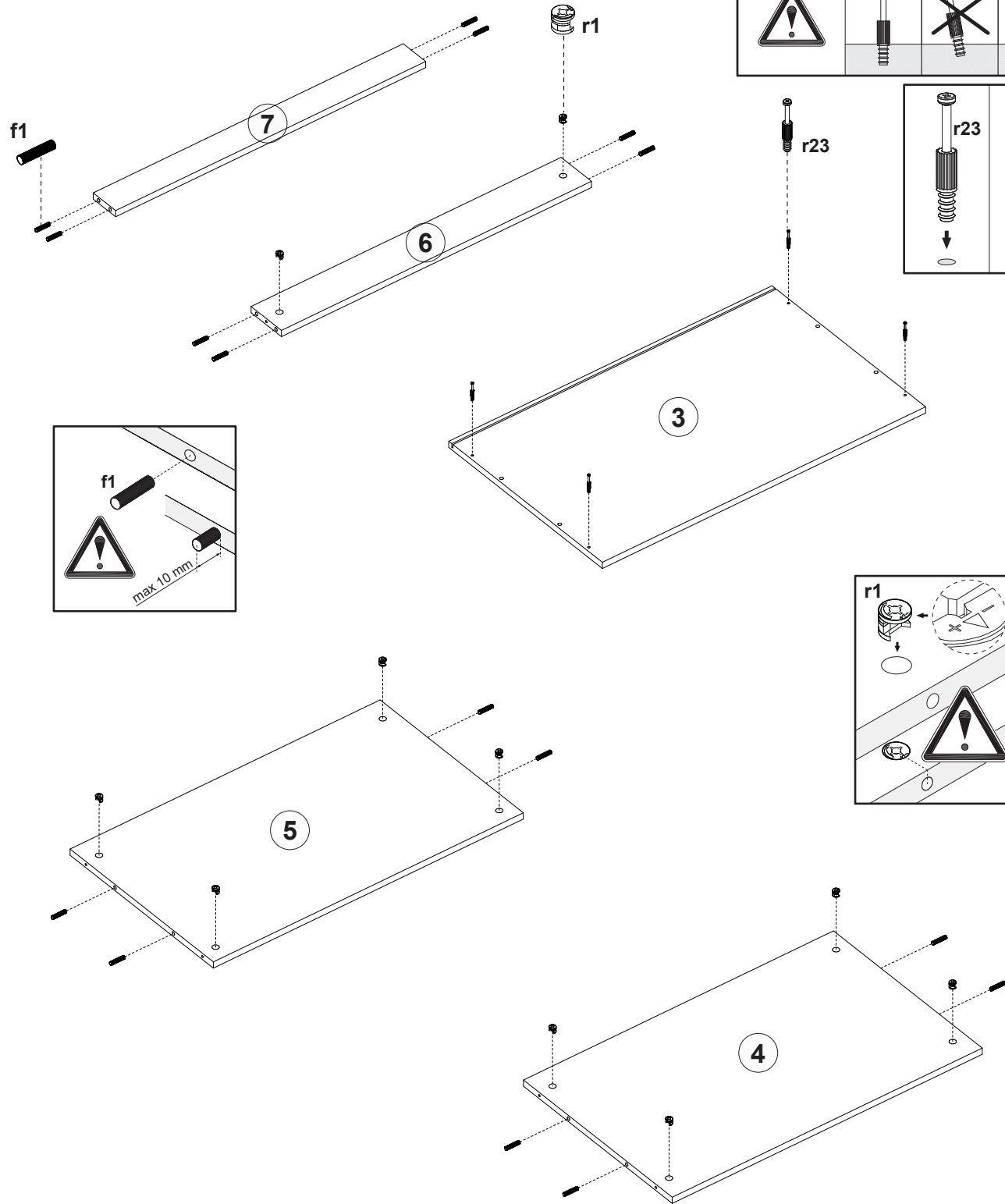


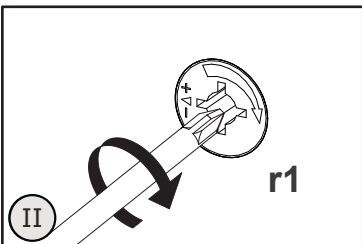
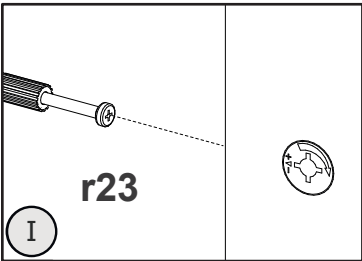
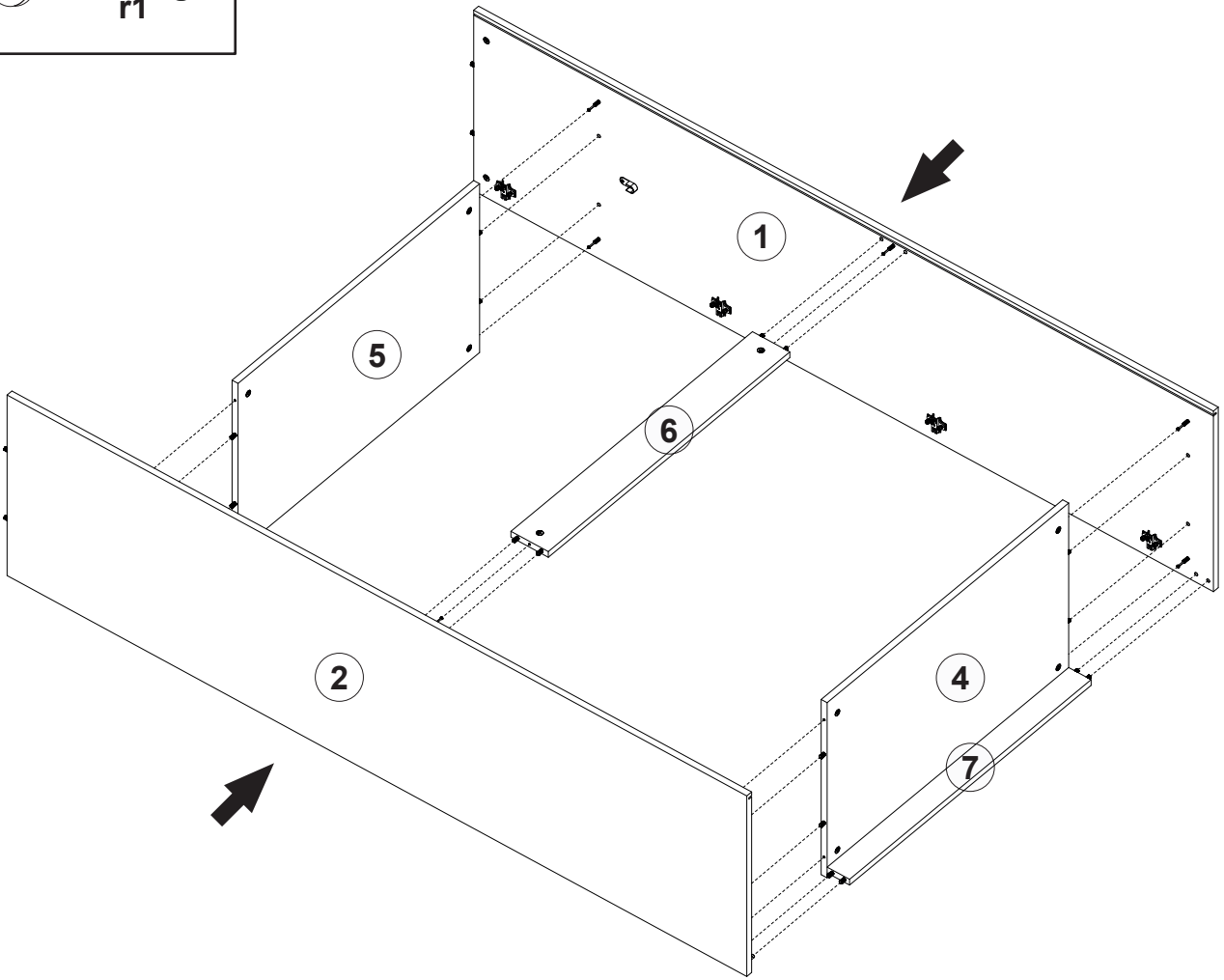
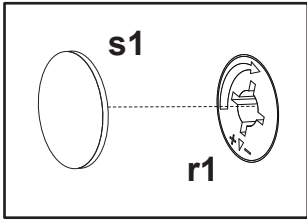
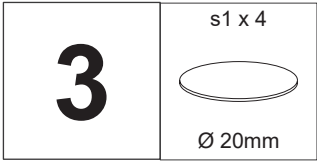
Ø 15x12mm

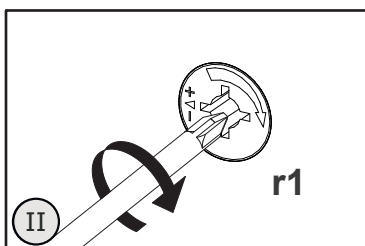
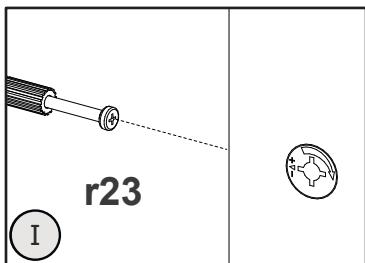
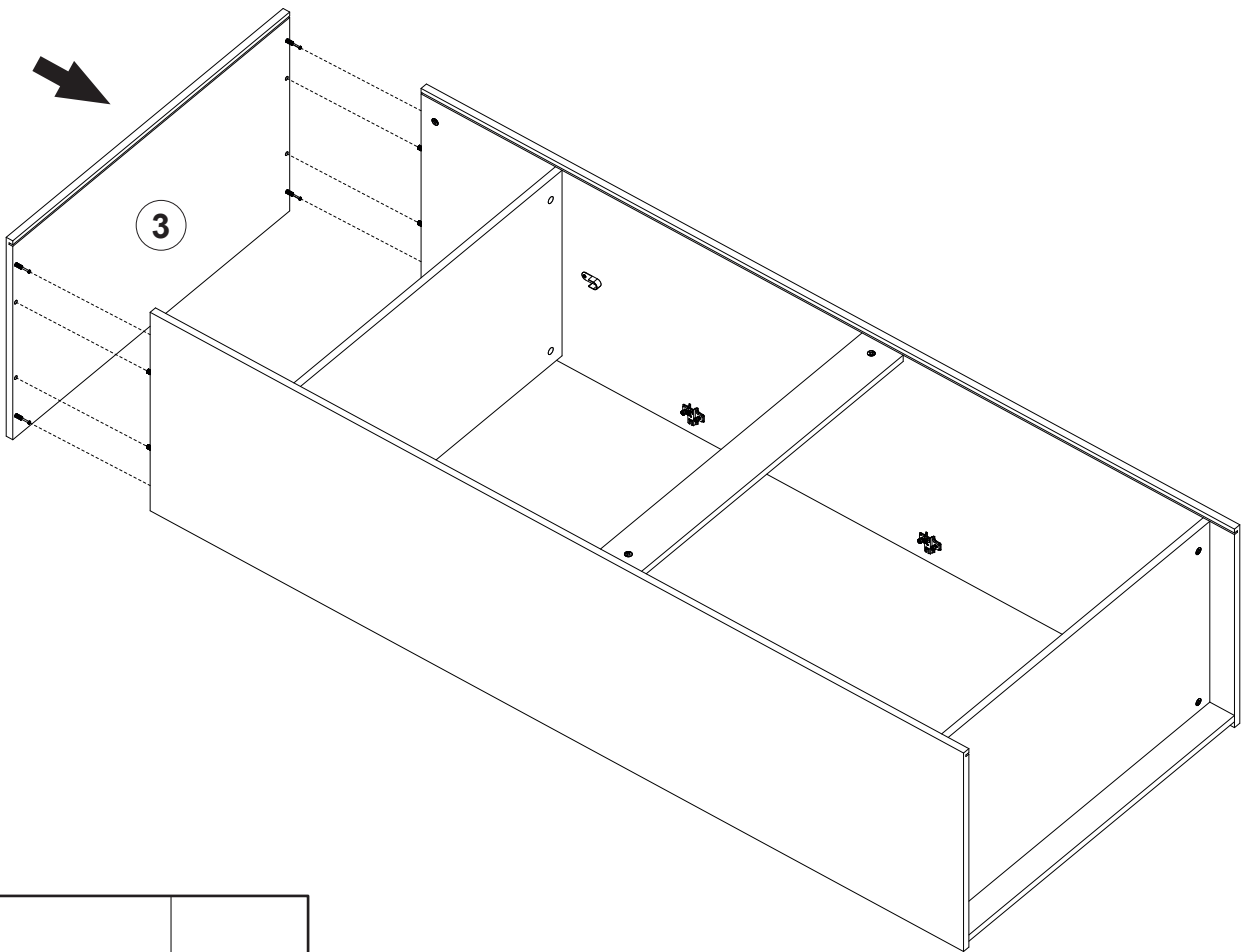
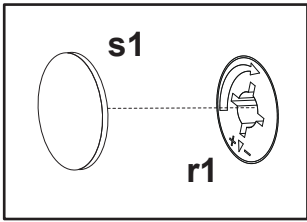
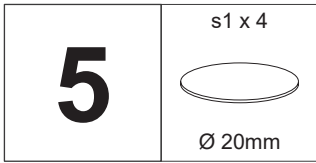
r23 x 4



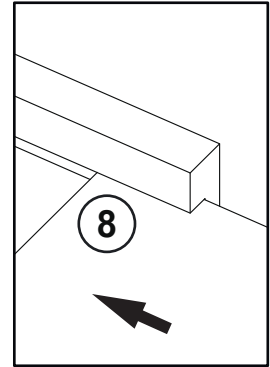
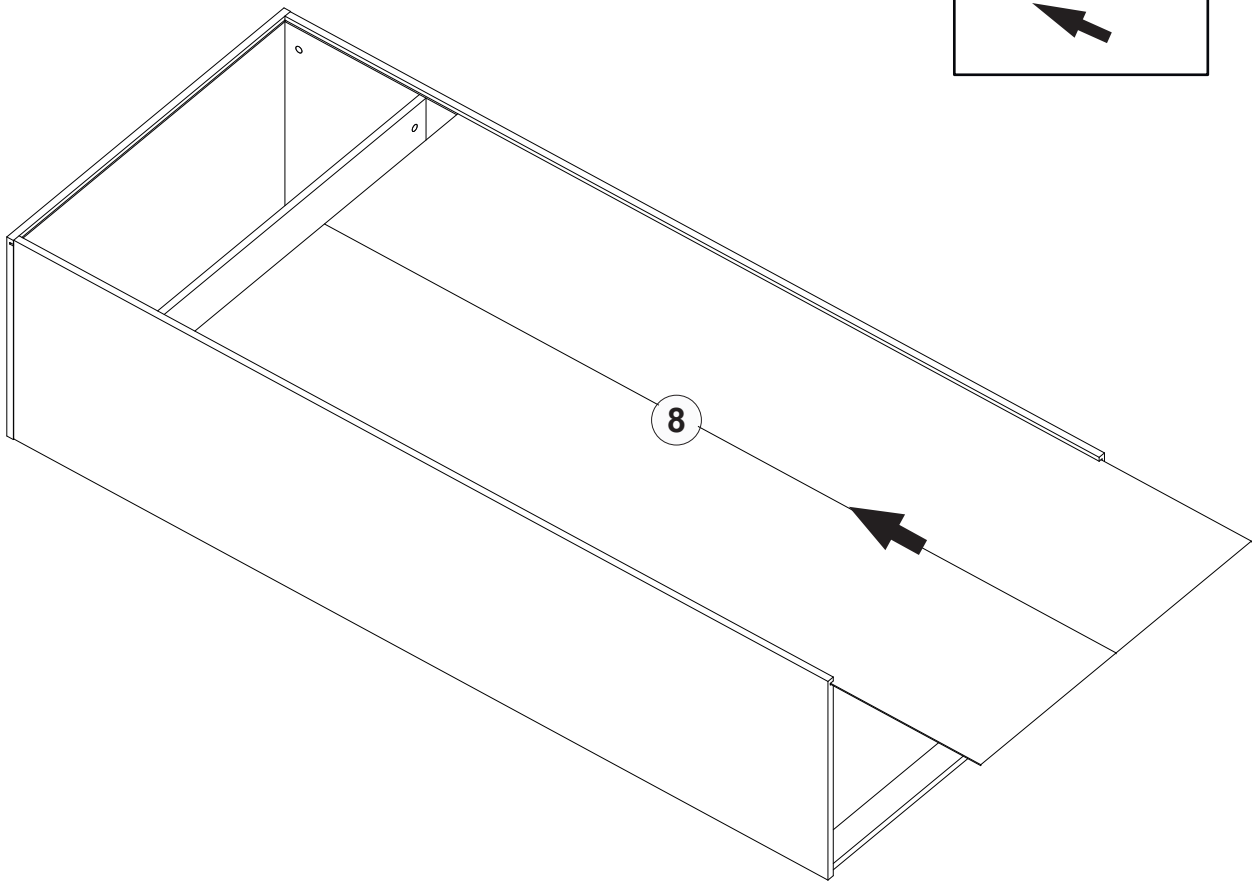
45mm







6



2

I2 x 18



10x10x15mm

k40 x 4

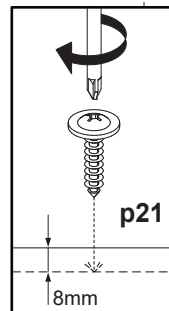
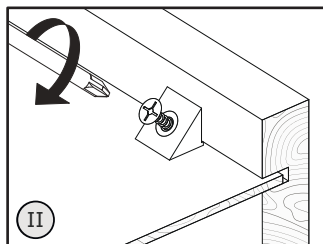
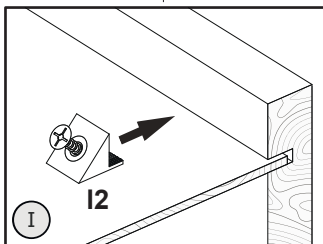
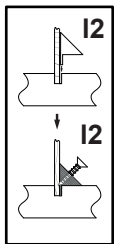
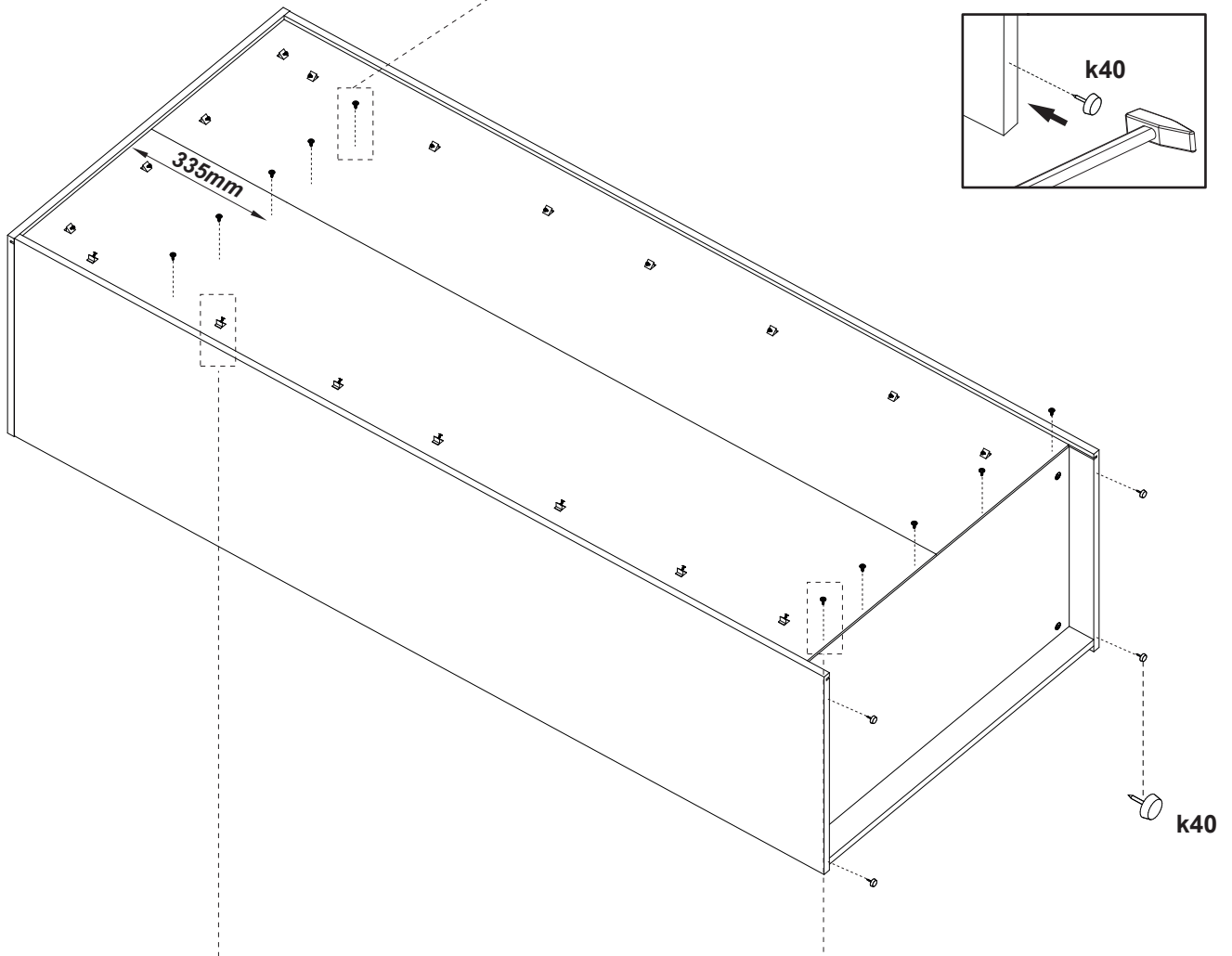
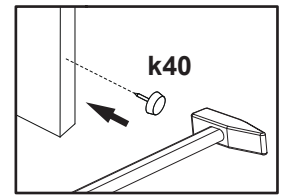
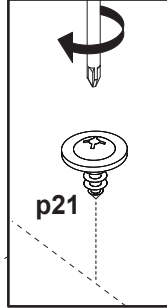
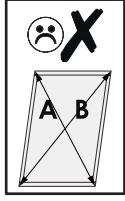
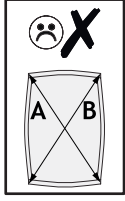
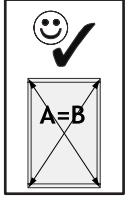


Ø 15mm

p21 x 10



Ø 4,2x16mm



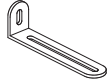
3

p50 x 2

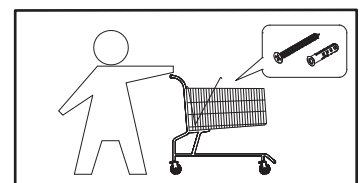
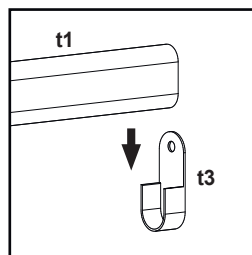
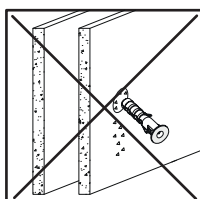
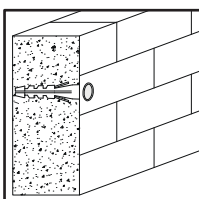
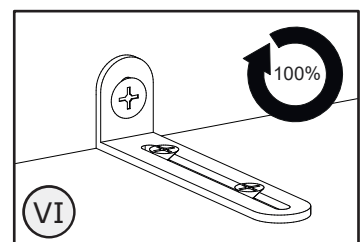
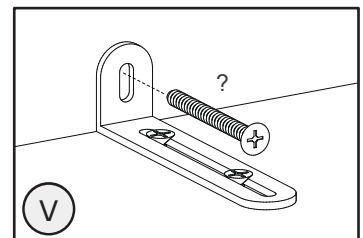
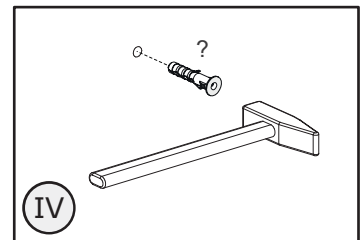
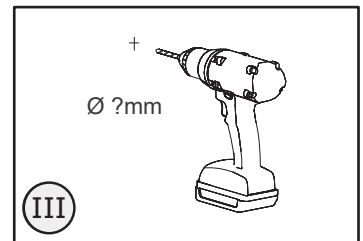
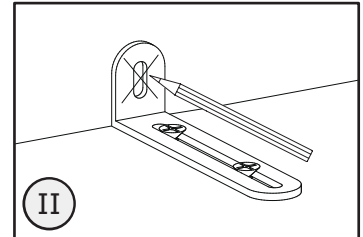
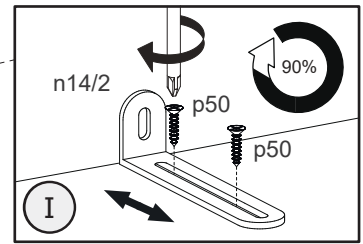
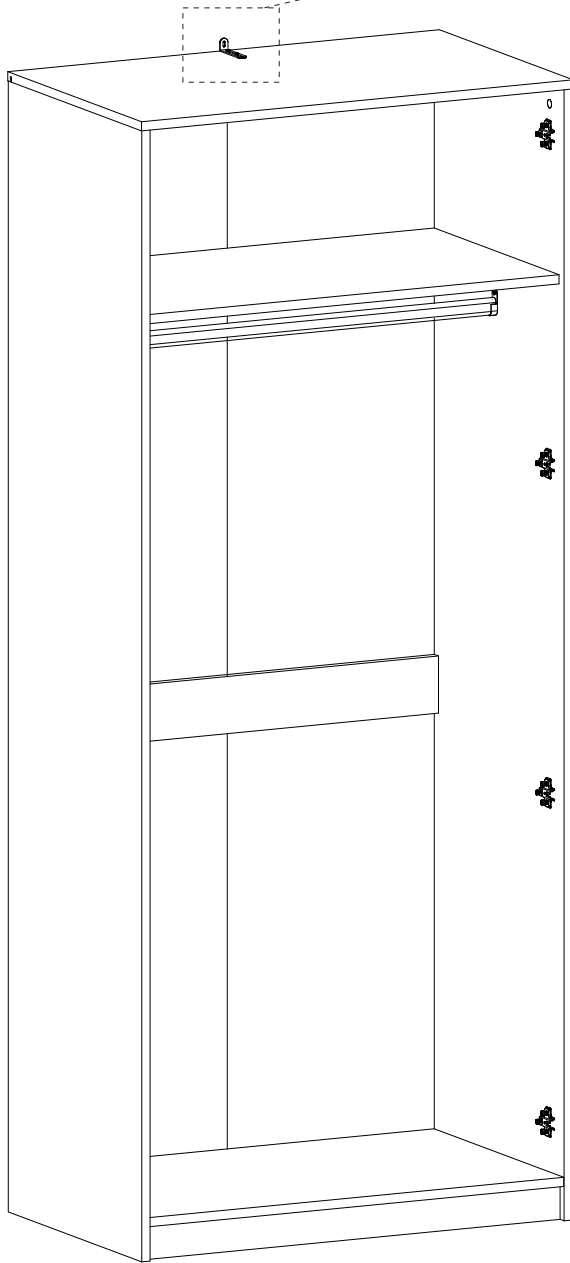


Ø 3x16mm

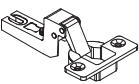

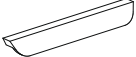

n14/2 x 1

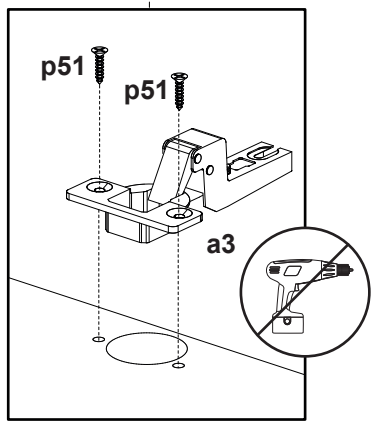
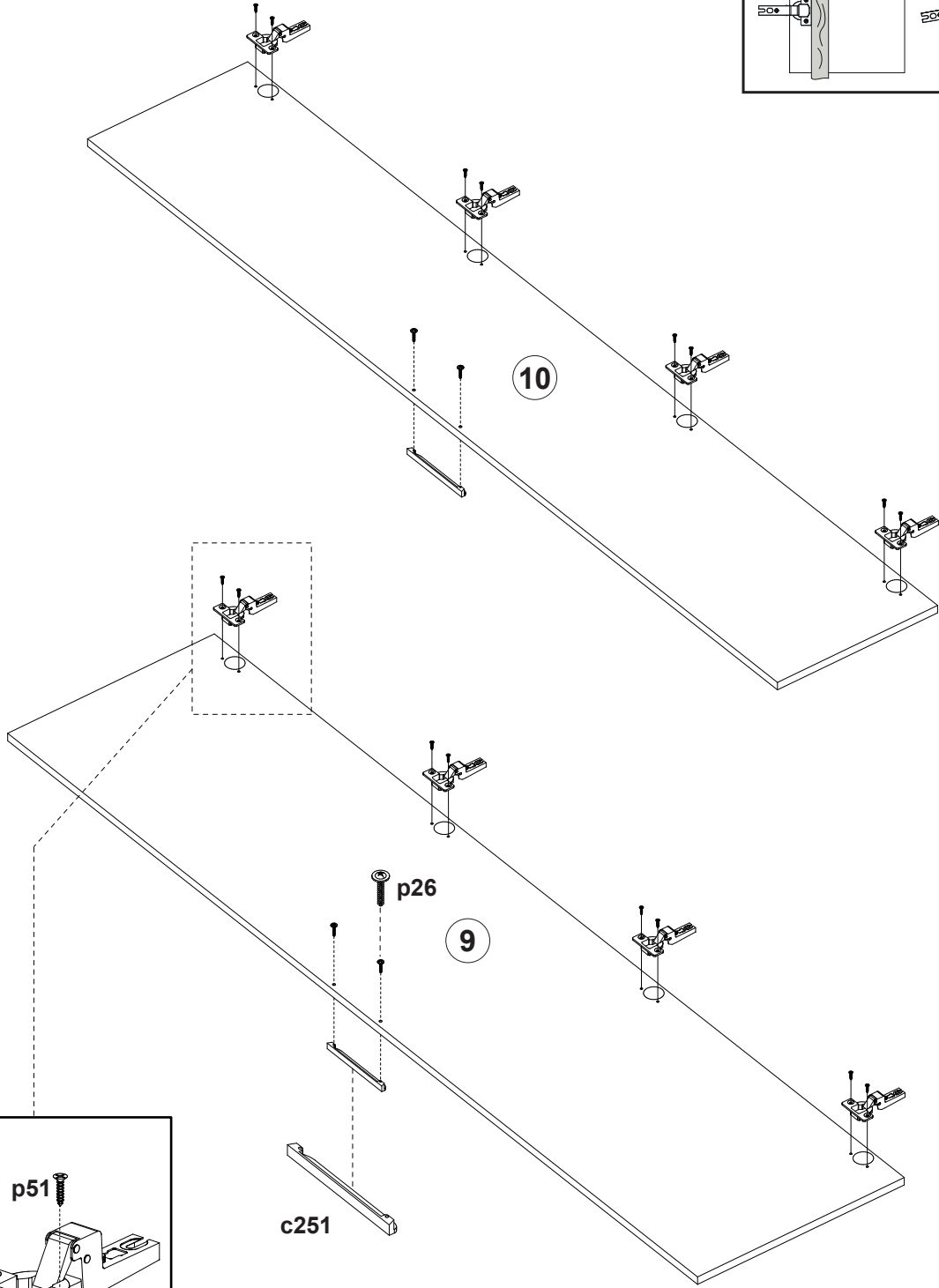
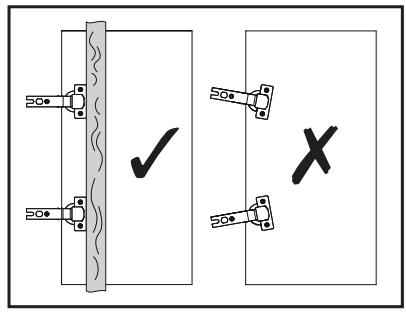


L=75x25x15mm

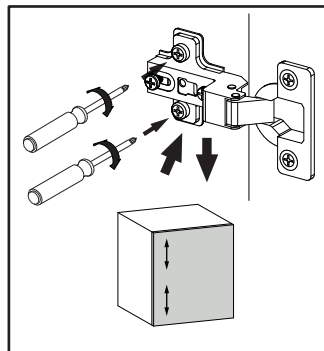
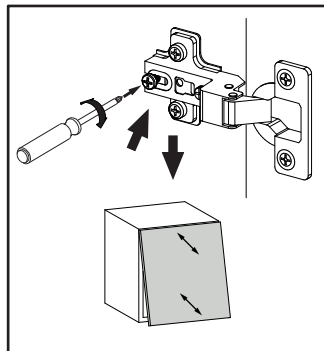
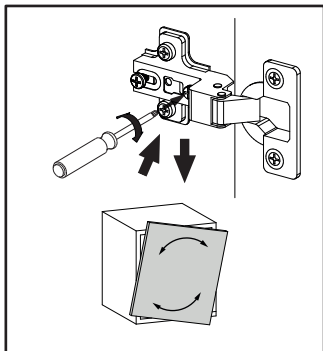
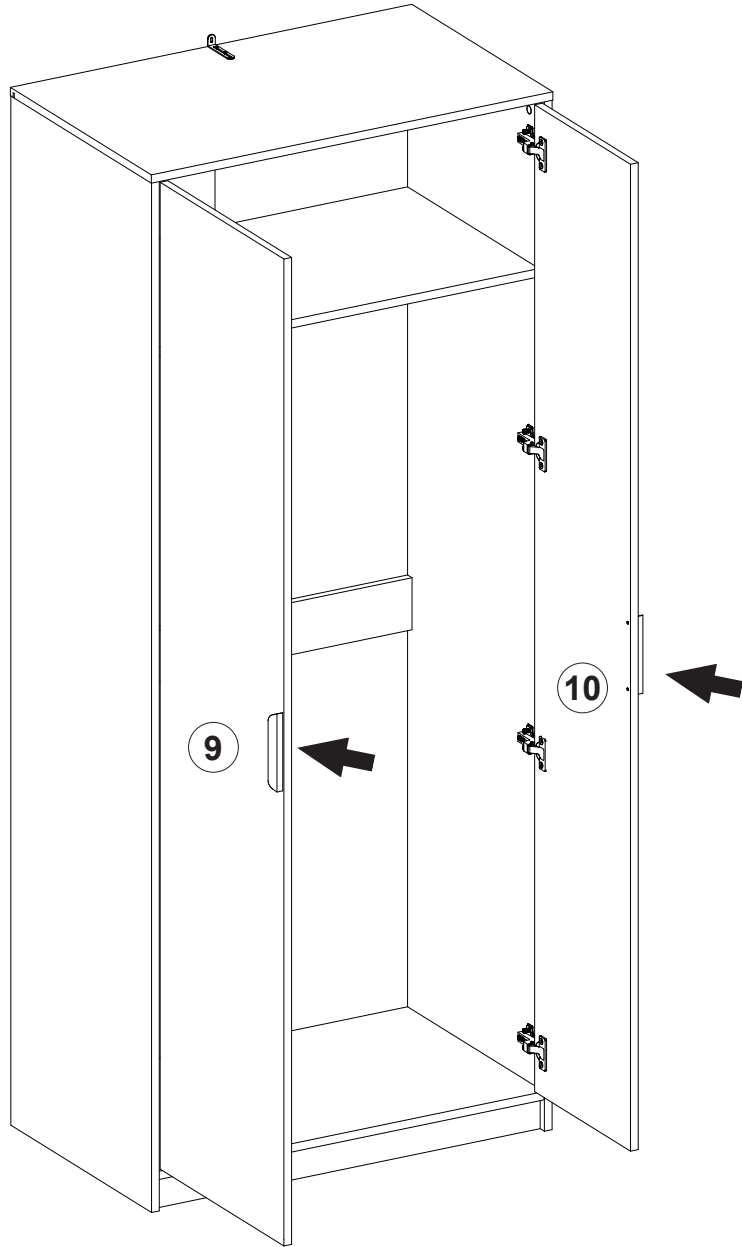
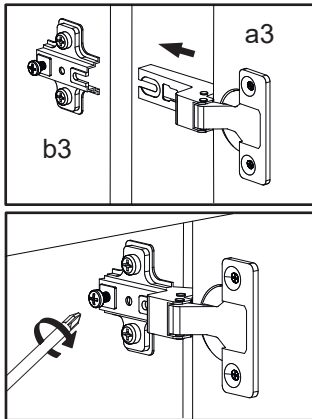


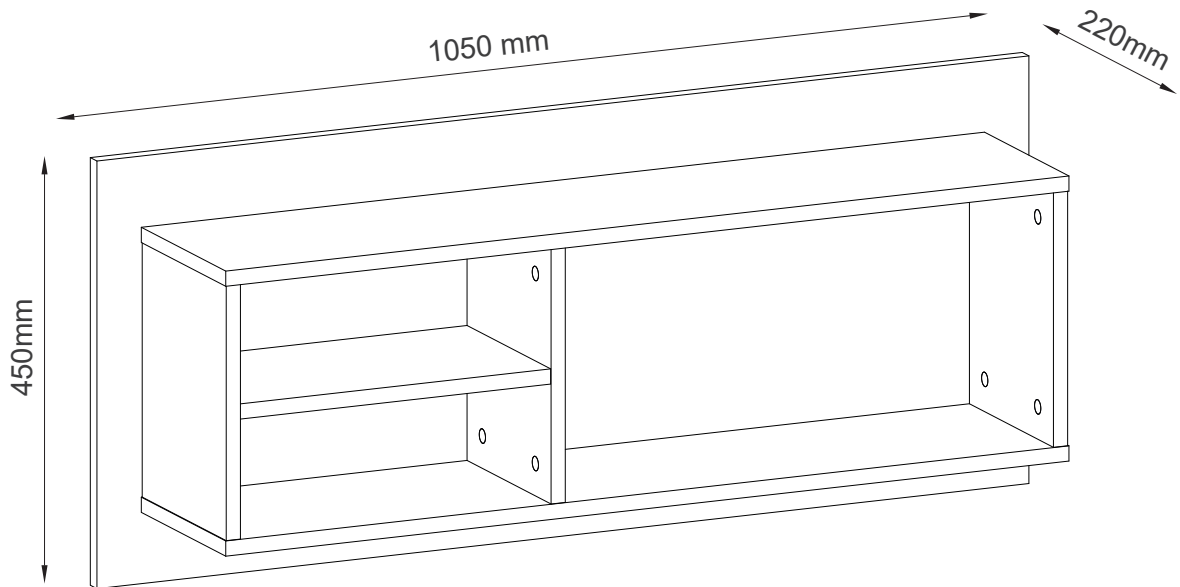
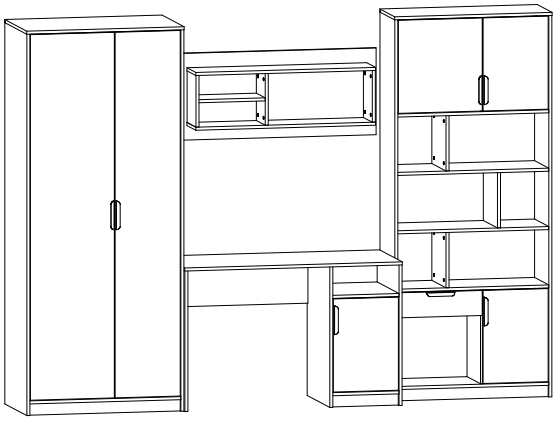
5

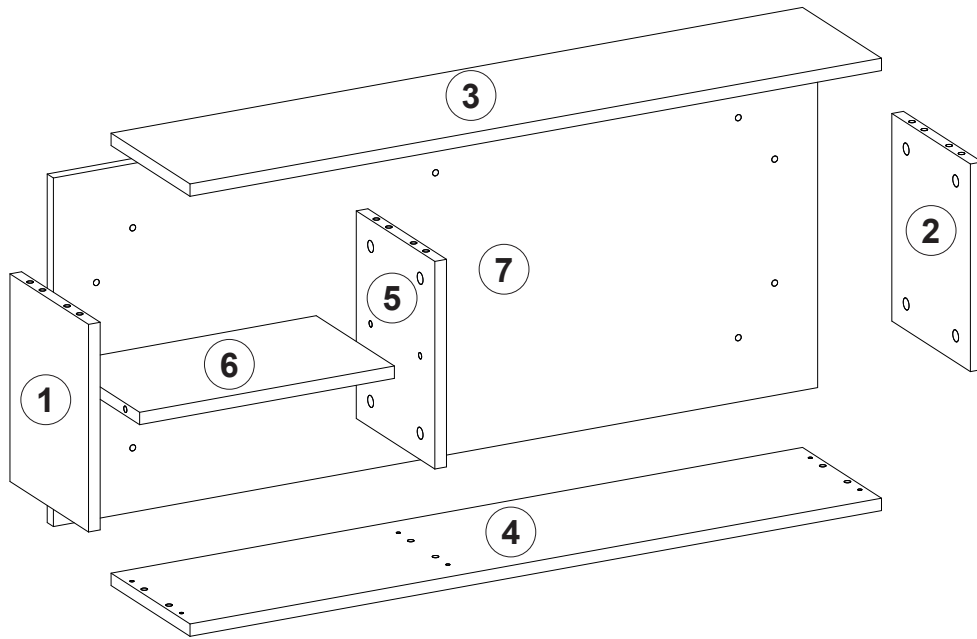
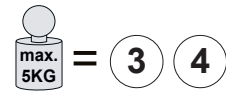
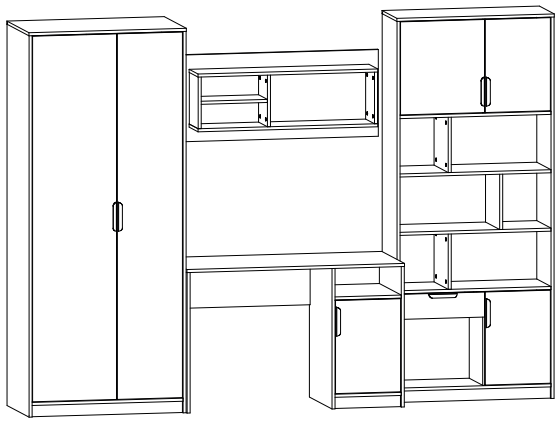
 a3 x 8 Ø 35mm	 p51 x 16 Ø 3,5x16mm	 c251 x 2 L=128/152mm	 p26 x 4 Ø 4x25mm
---	---	--	--



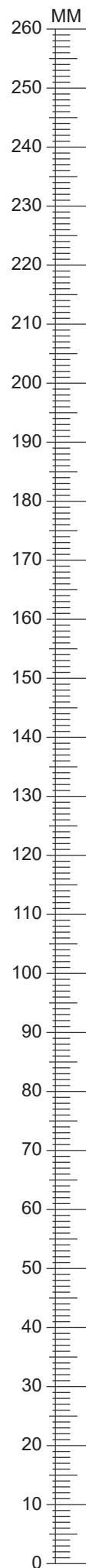
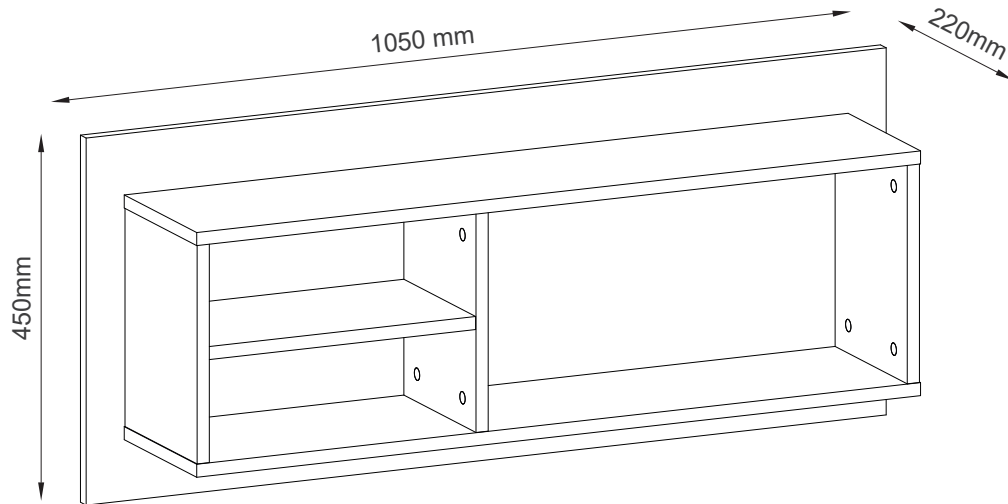
6

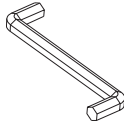


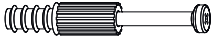
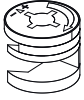

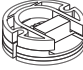
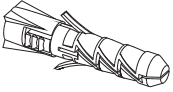
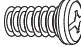
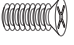







A	B (mm)			C	D
1	268	203	16	x1	4/6
2	268	203	16	x1	4/6
3	950	204	16	x1	4/6
4	950	204	16	x1	4/6
5	268	203	16	x1	4/6
6	350	202	16	x1	4/6
7	1050	450	16	x1	4/6



1x  4mm z1	12x  Ø 6,3x50mm e27	16x  Ø 8x30mm f1
12x  45mm r23	12x  Ø 15x12mm r1	12x  Ø 20mm s1
3x  35x12mm n15	3x  Ø 10x50mm y2	2x  Ø 6,3x13 mm e2
6x  Ø 5x11 mm e5	3x  55mm j2	

1

r23 x 12



45mm

n15 x 2



35x12mm

e2 x 3

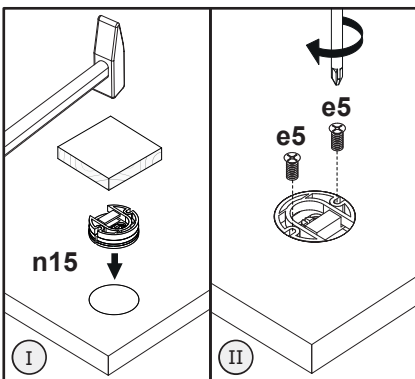
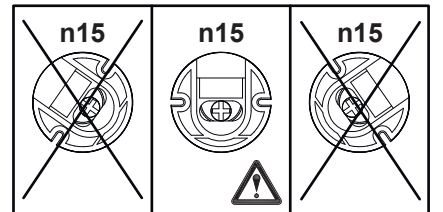
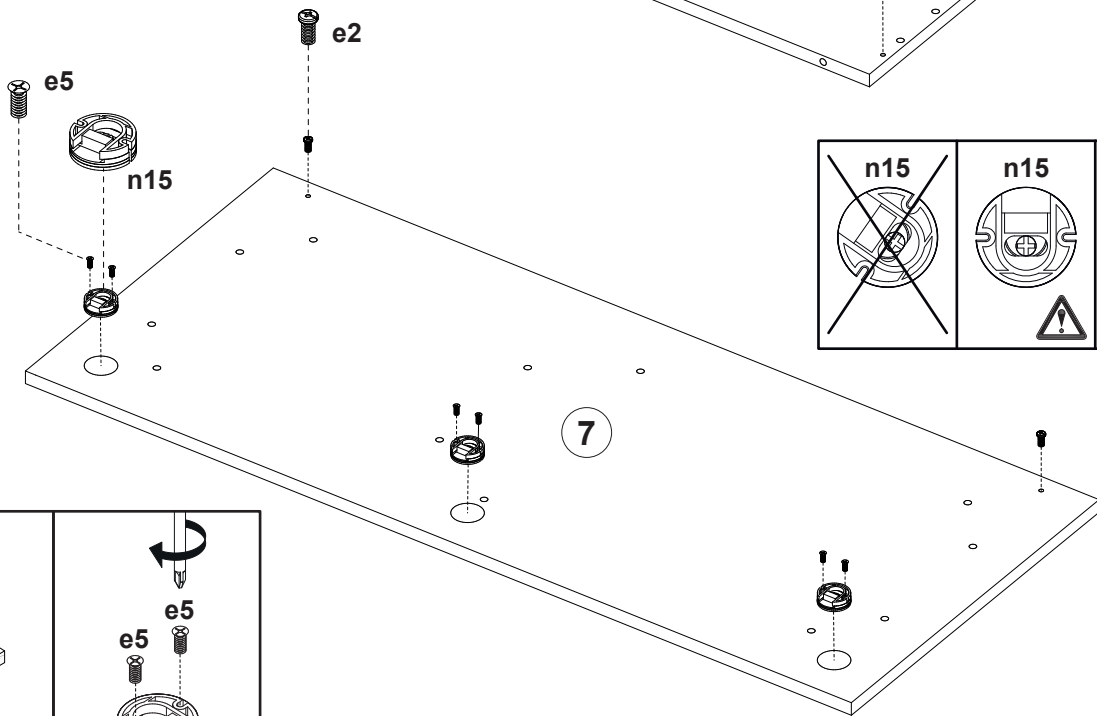
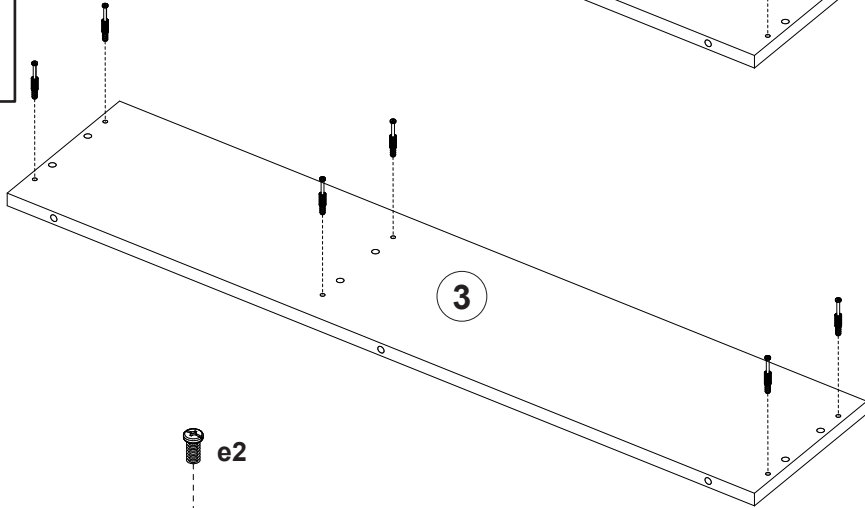
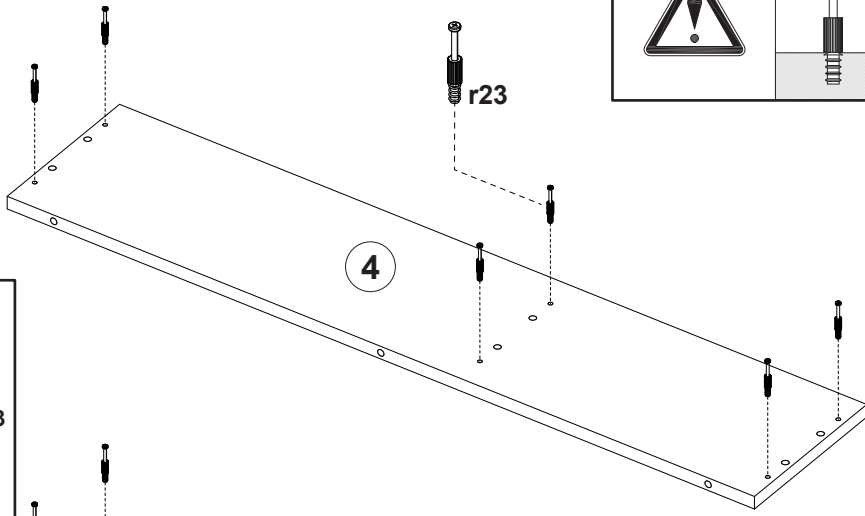
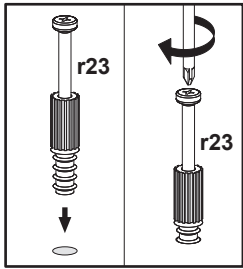
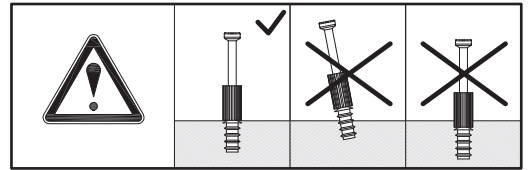


Ø 6,3x13mm

e5 x 6



Ø 5x11mm



2

f1 x 16

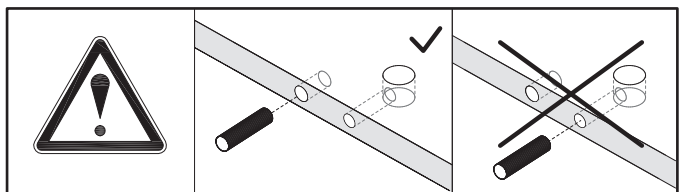
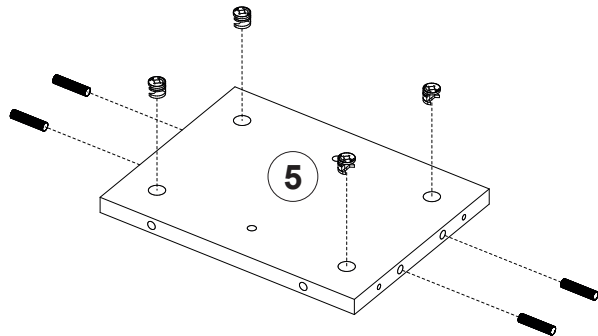
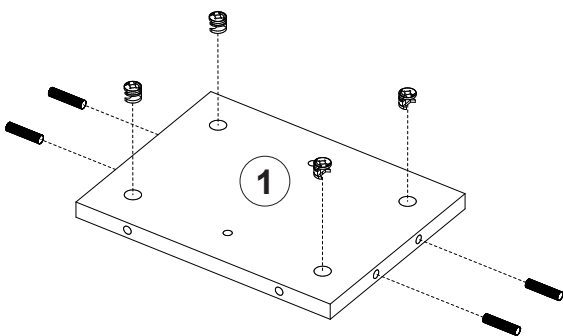
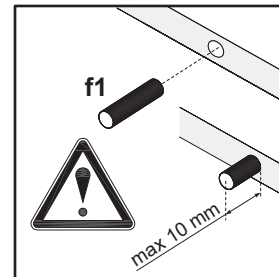
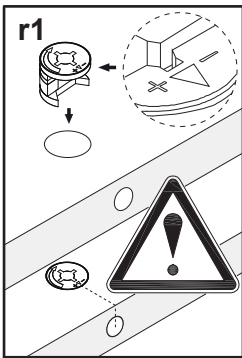
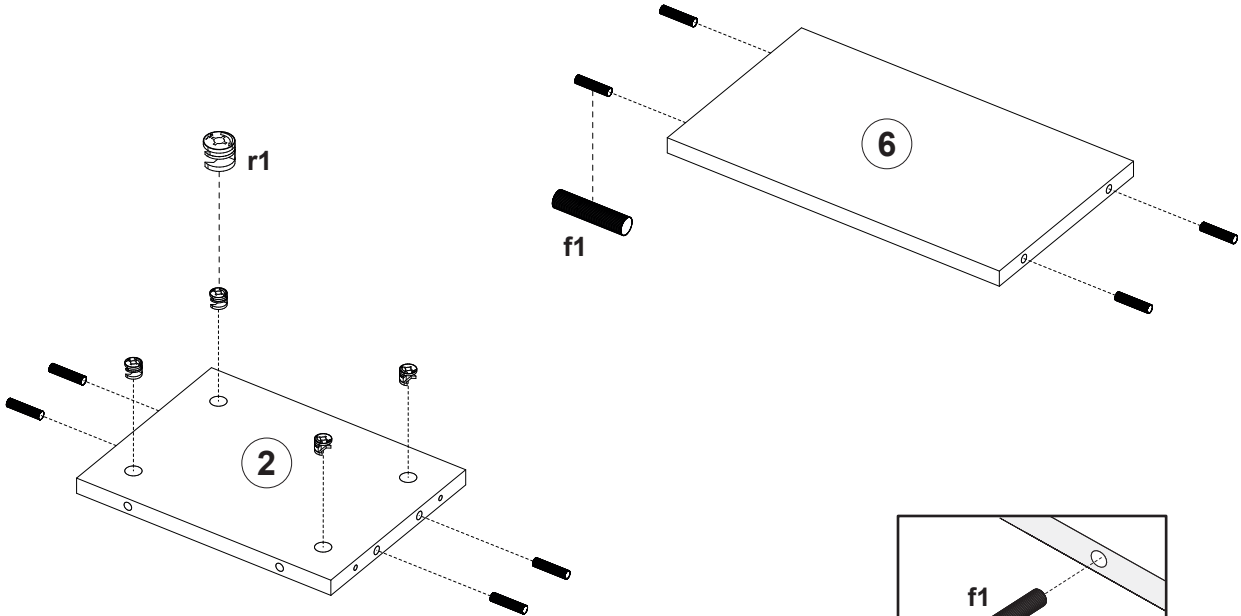


Ø 8x30mm

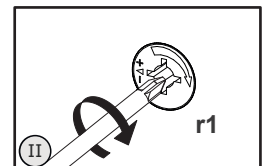
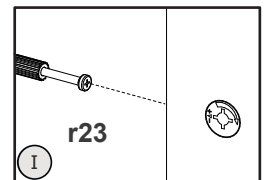
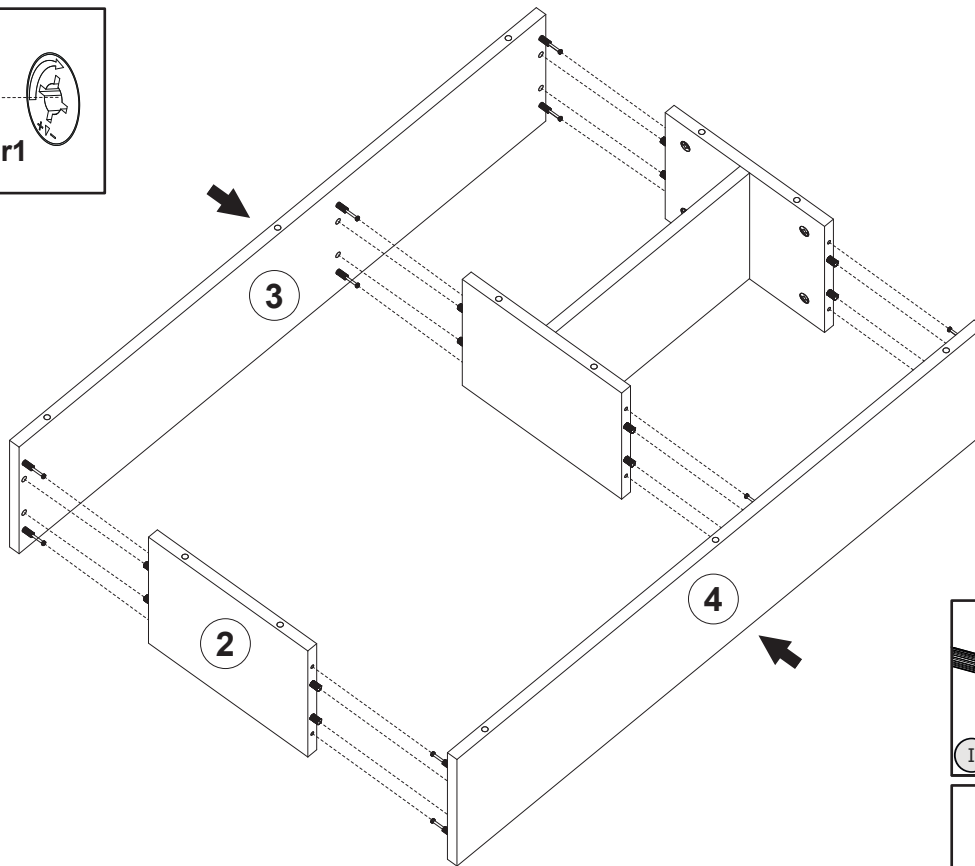
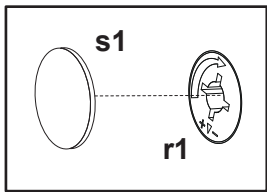
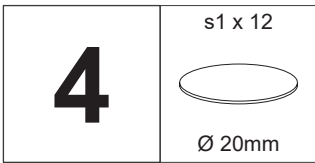
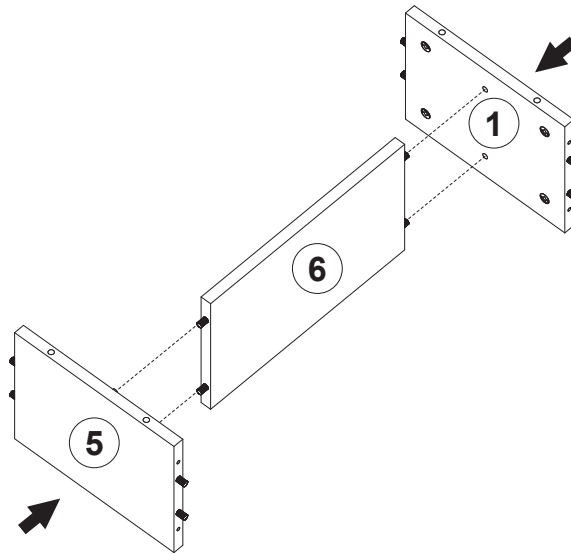
r1 x 12



Ø 15x12mm



3



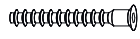
5

z1 x 1

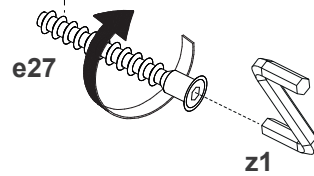
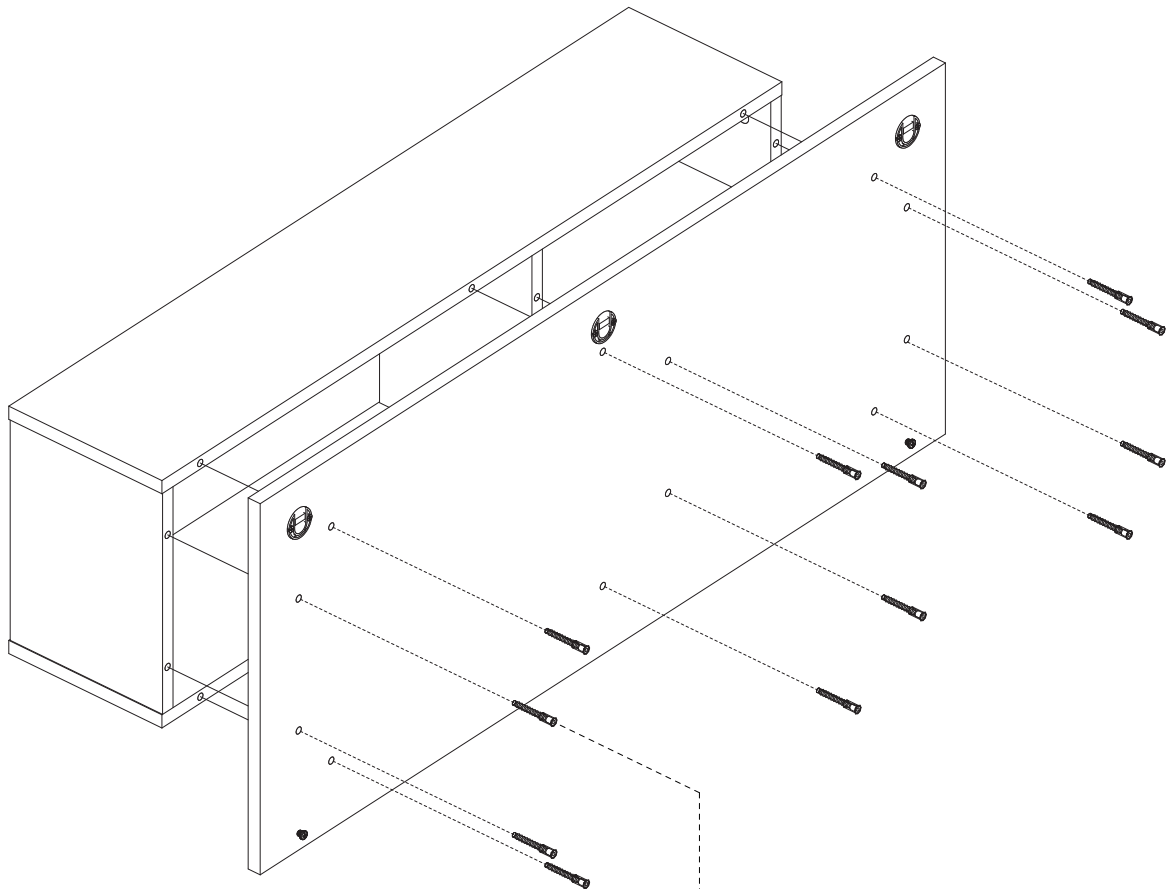
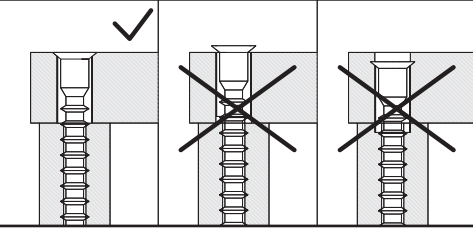


4mm

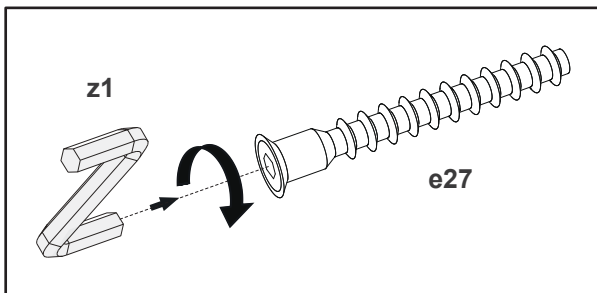
e27 x 12



Ø 6,3x50mm



z1



z1

e27

6

