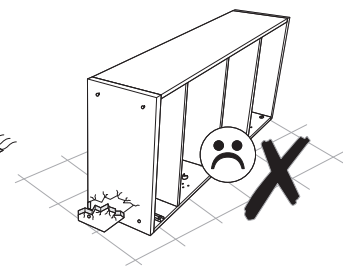
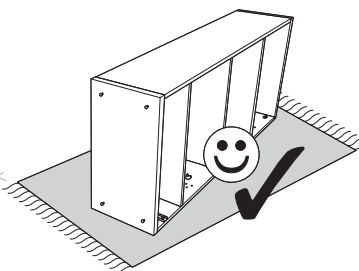
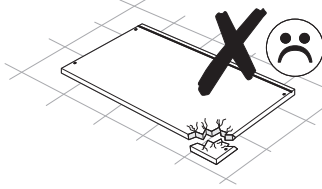
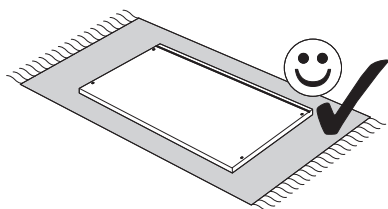
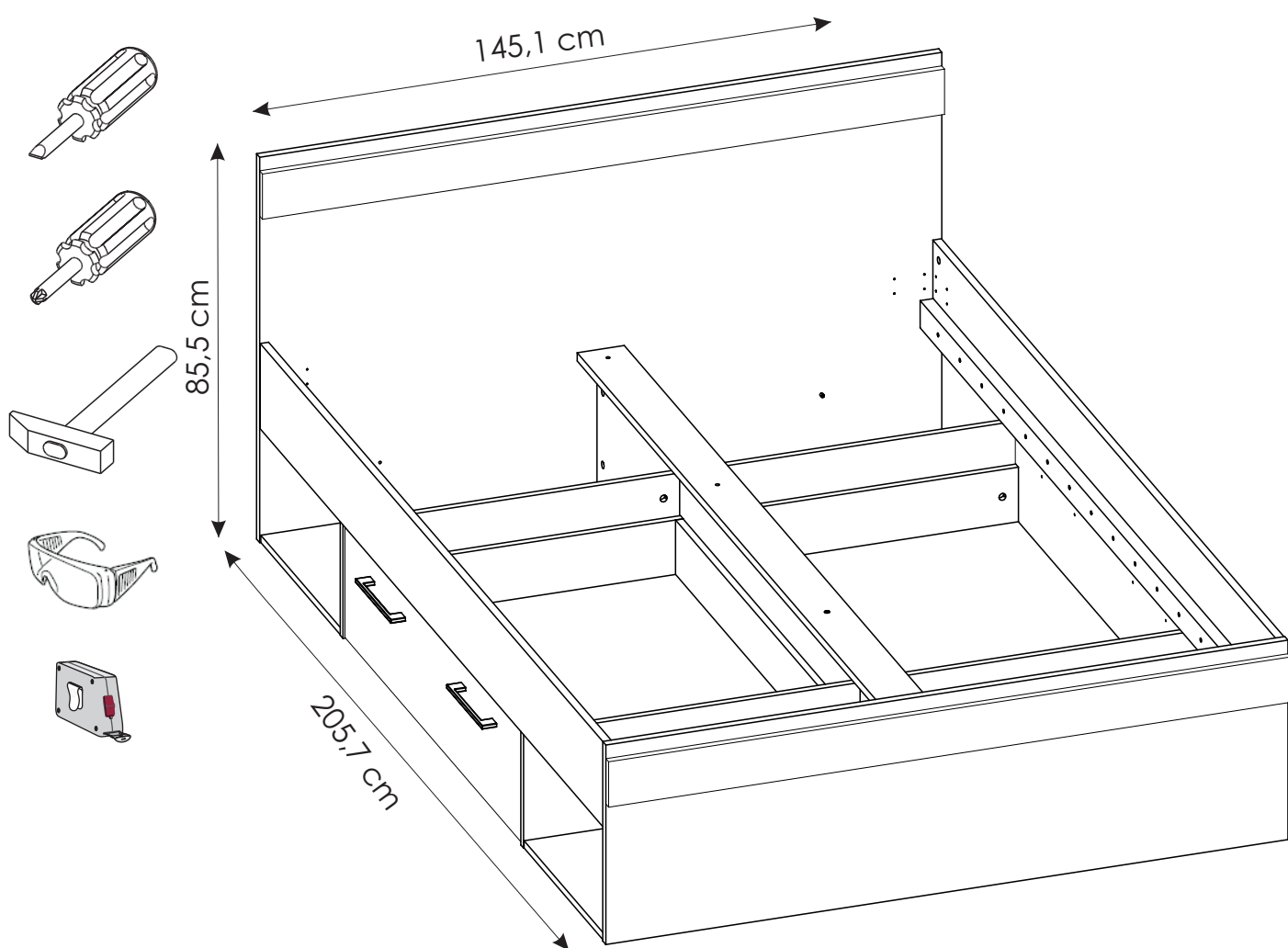
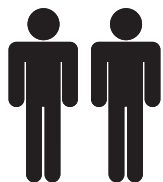
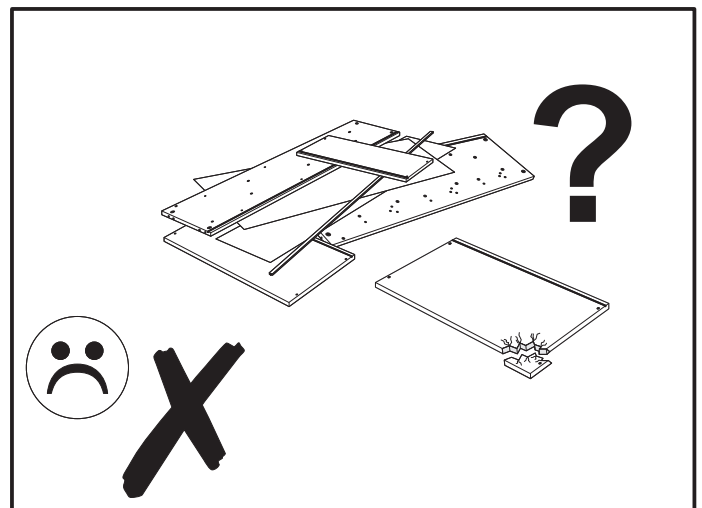
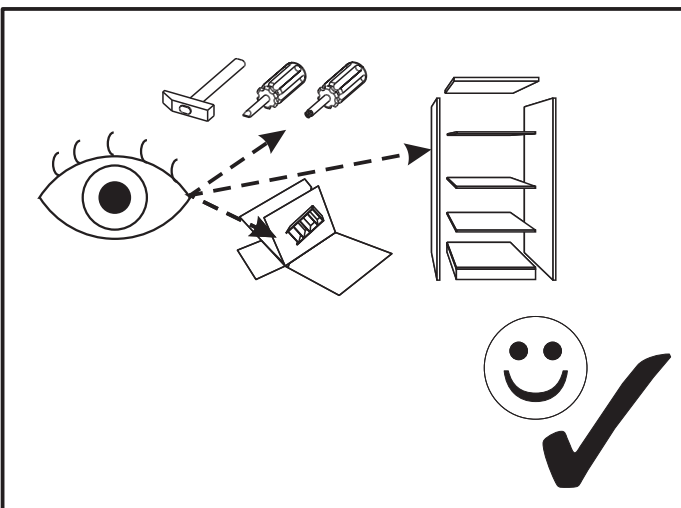
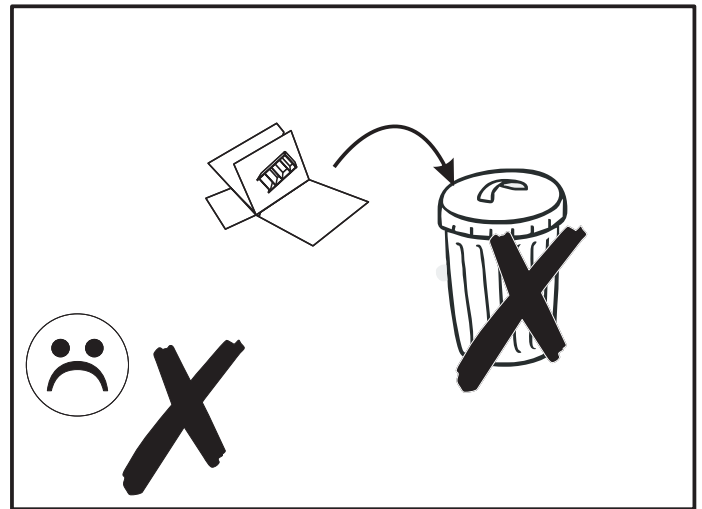
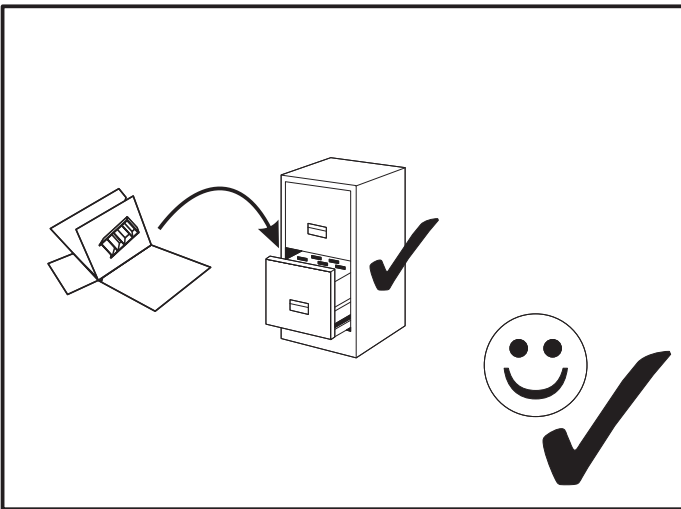
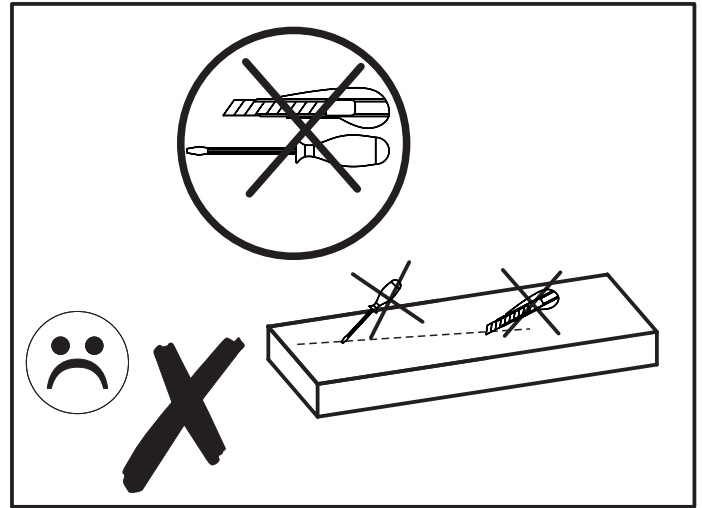
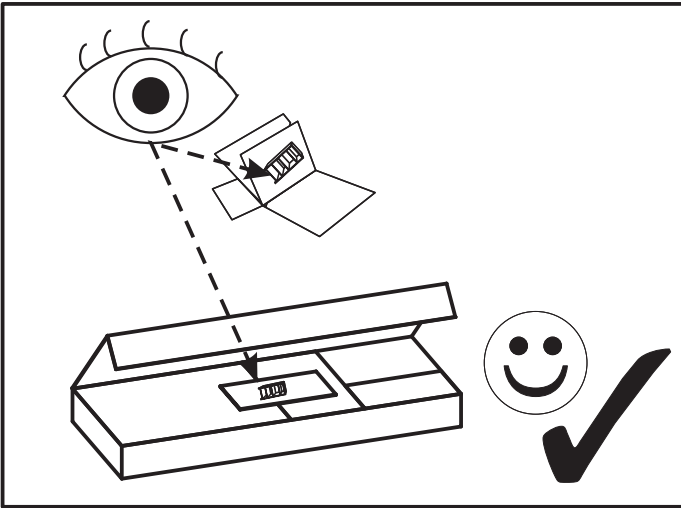
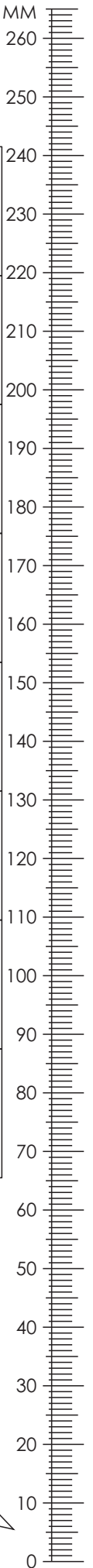



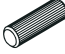
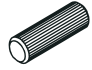
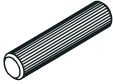

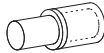
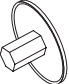

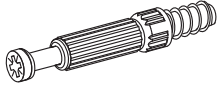
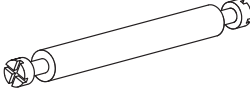
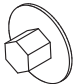



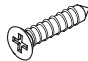
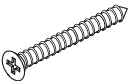
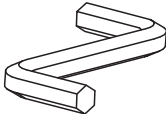
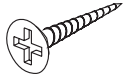
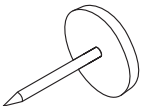
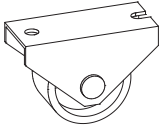


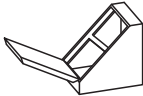
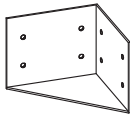
BOX TYP06

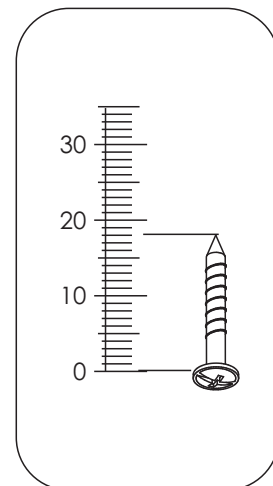




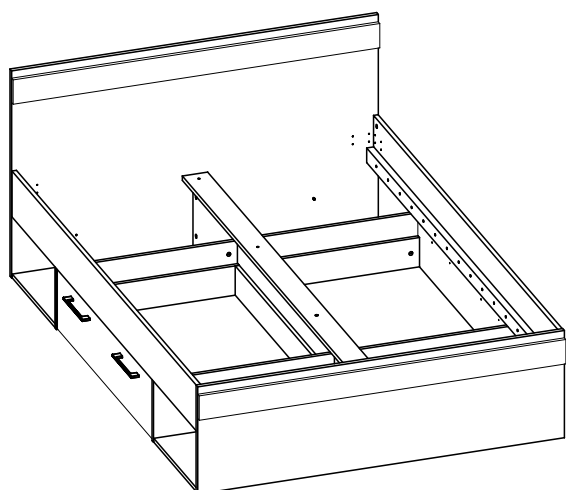
BOX TYP06



AA 8 x 20 mm x4 	A0 8 x 24 mm x8 	A1 8 x 35 mm x52 
A3 8 x 60 mm x4 	C2 5 x 13 mm x32 	D2 x8 
E0 x48 	E1 15 x 12 mm x48 	F1 6 x 34 mm x40 
F4 7 x 76 mm x4 	G0 x22 	G1 7 x 50 mm x22 
H1 x4 	I4 3,5 x 27 mm x8 	J7 3,5 x 25 mm x8 
J10 3,5 x 40 mm x30 	M x1 	N2 3,5 x 16 mm x32 
O2 x21 	O5 x12 	P16 x8 
R8 x4 	W x4 	X5 x4 

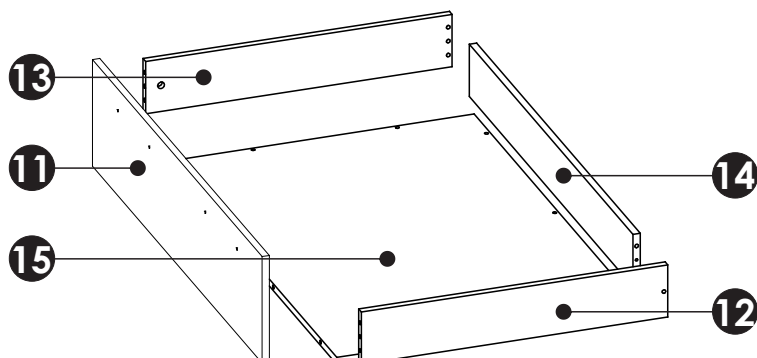
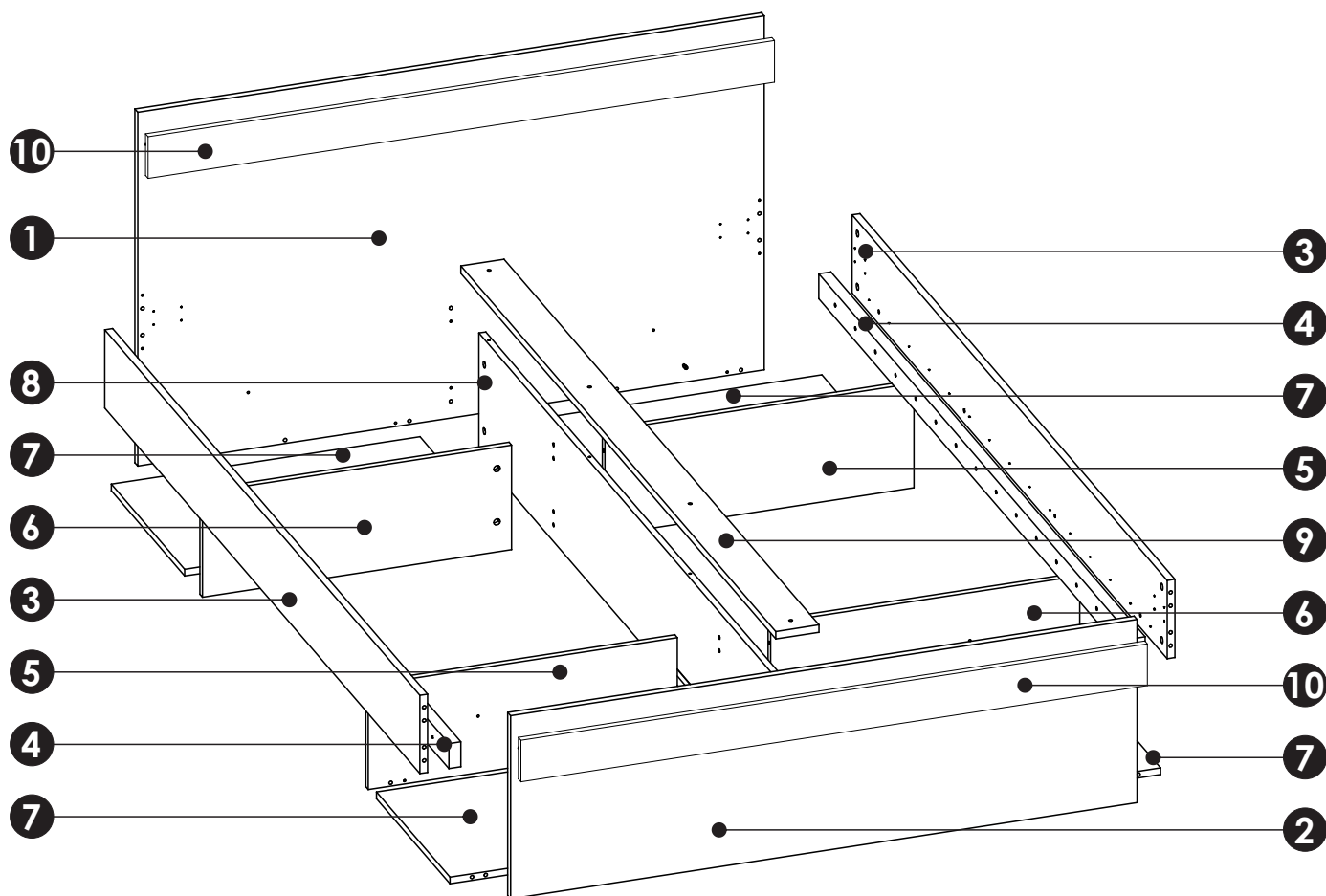


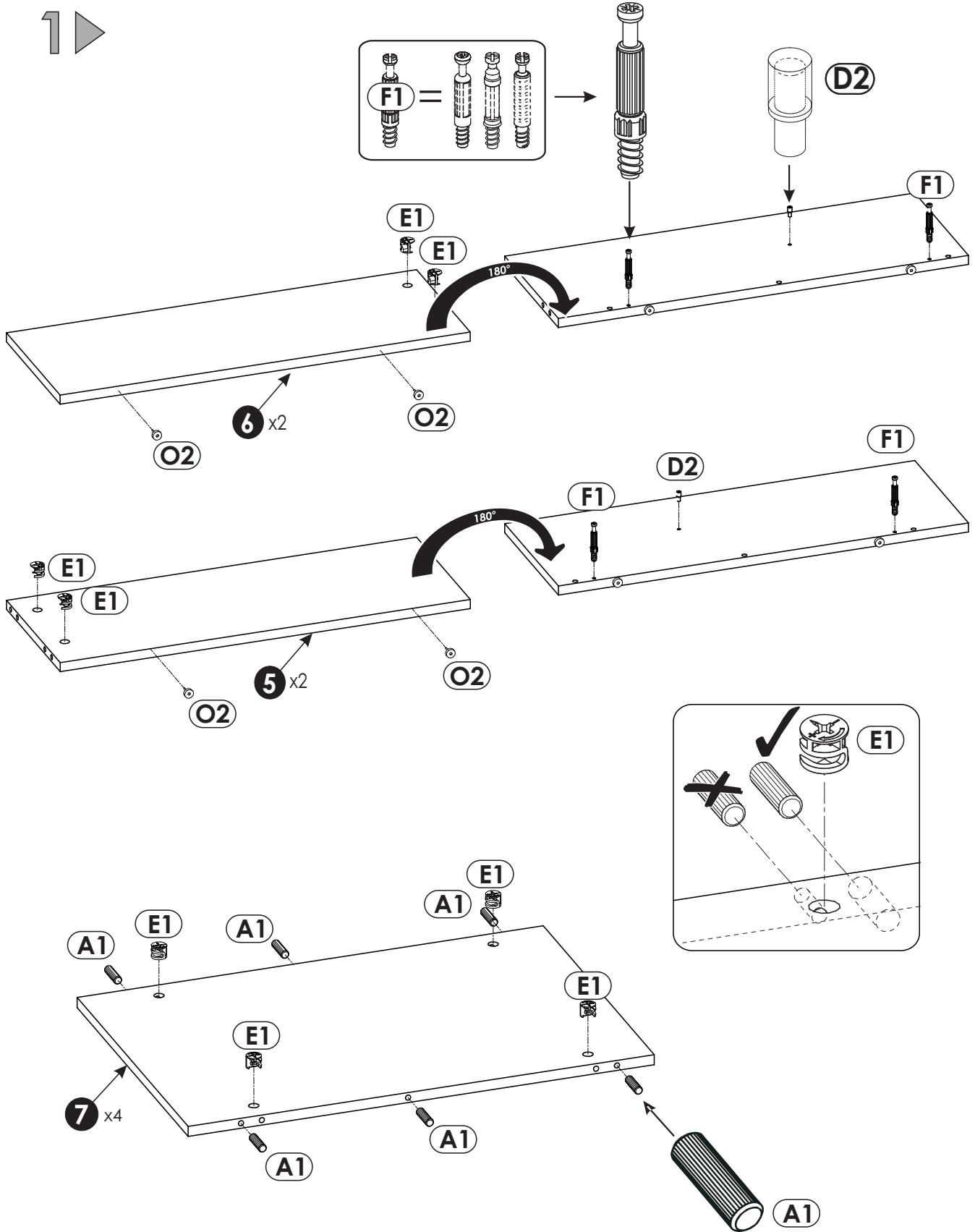
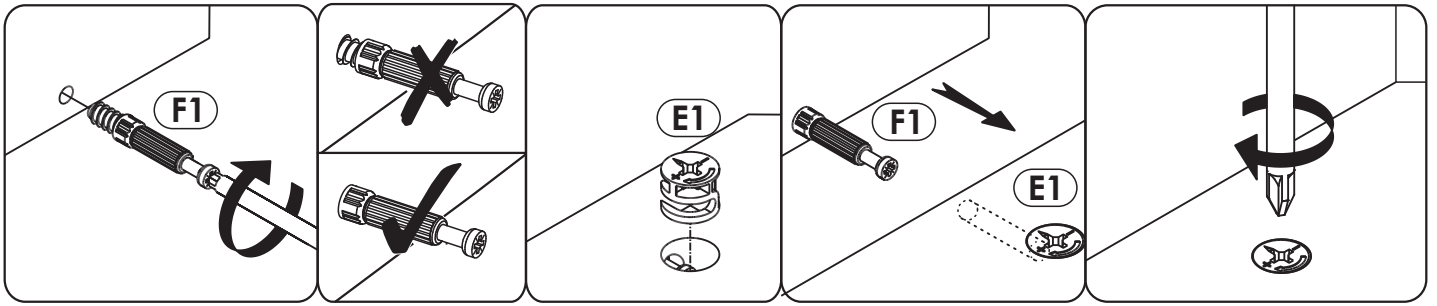
BOX TYP06

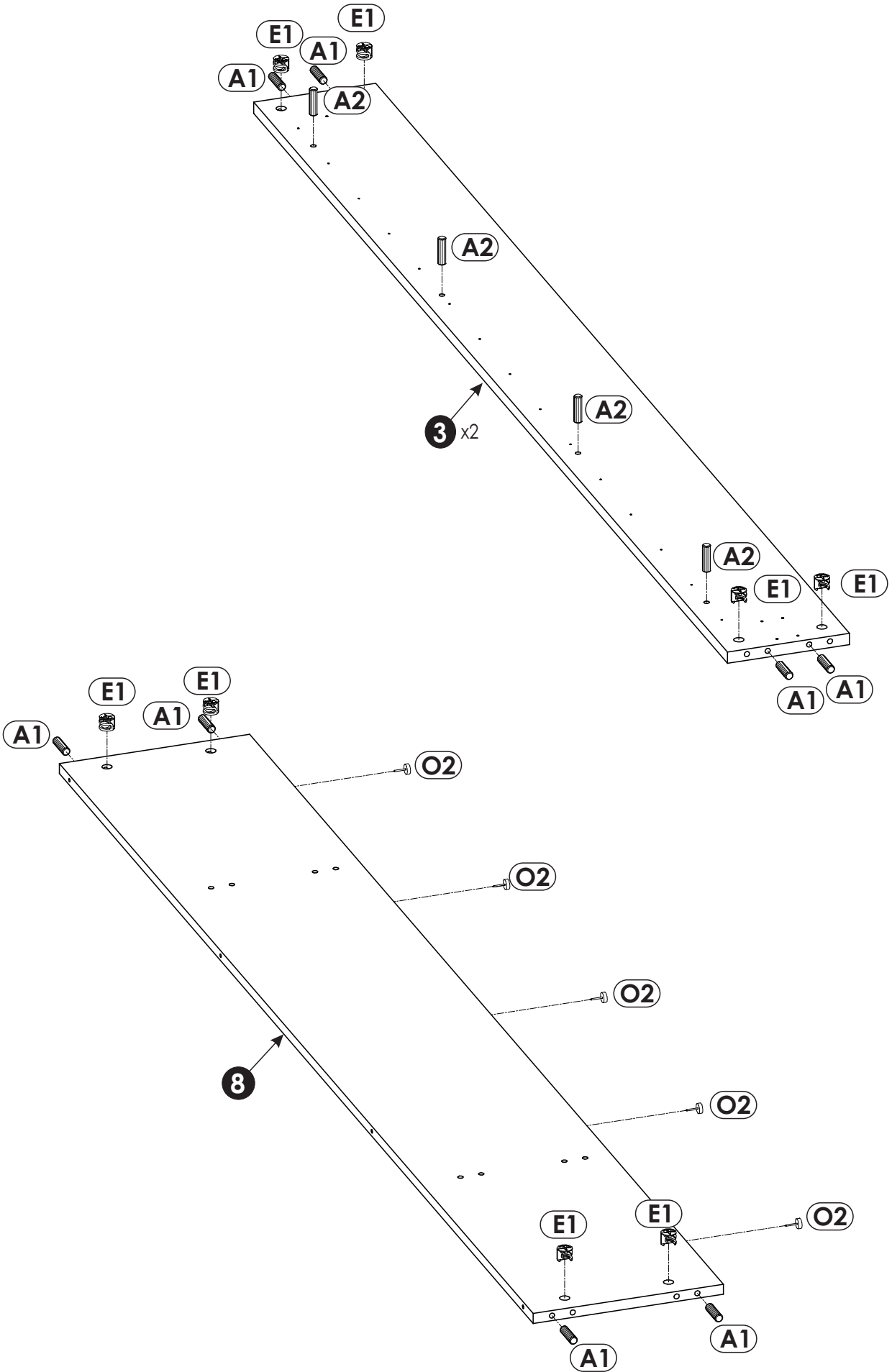


1	1451	850	18	x1	3/4
2	1451	440	18	x1	3/4
3	2005	188	18	x2	4/4
4	2000	60	28	x2	4/4
5	716	251	16	x2	1/4
6	716	251	16	x2	1/4
7	467	715	16	x4	1/4
8	2005	293	16	x1	4/4

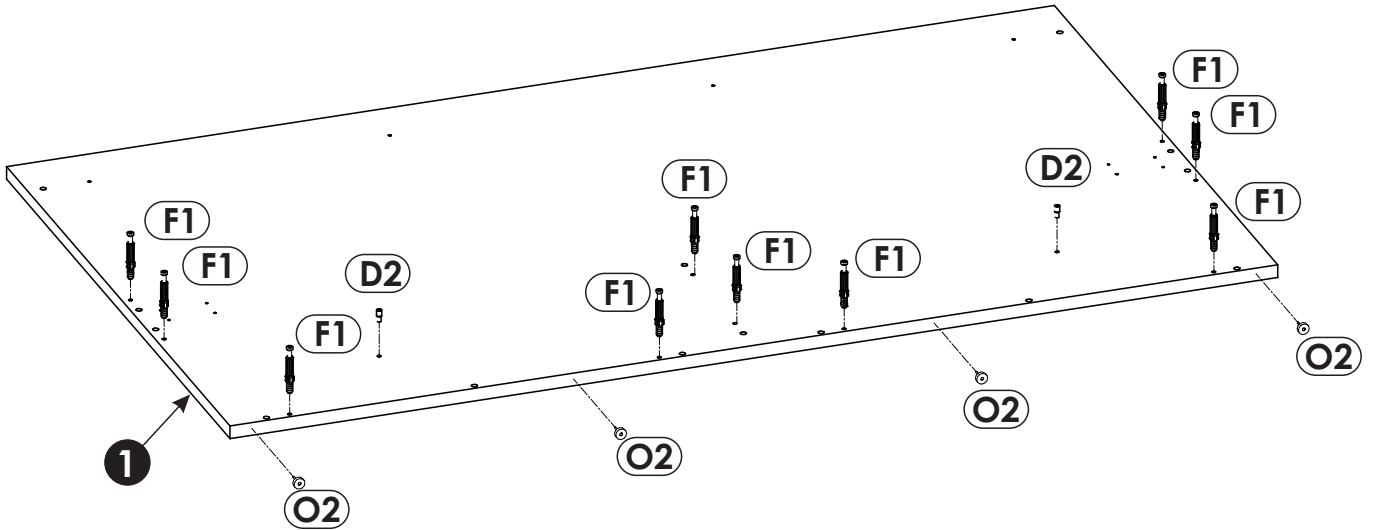
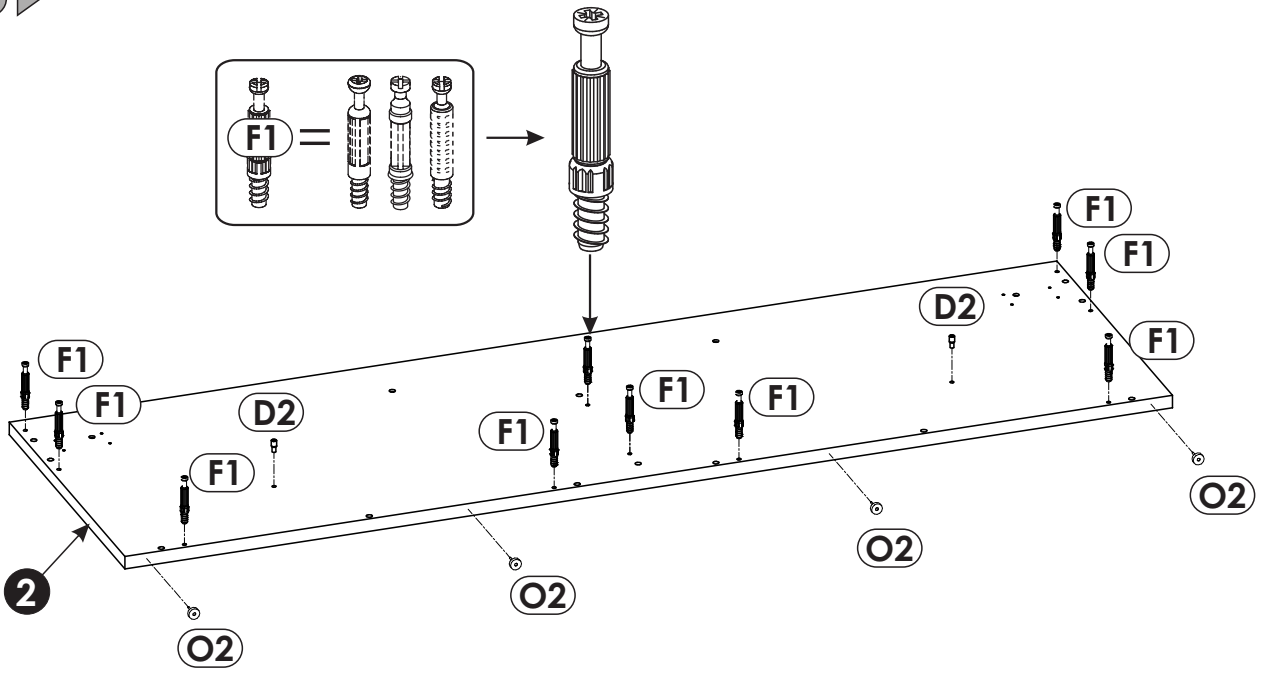
9	2005	100	18	x1	4/4
10	1251	100	16	x2	3/4
10	1251	100	16	x6	4/4
11	1033	245	16	x2	2/4
12	697	120	16	x2	1/4
13	697	120	16	x2	1/4
14	997	120	16	x2	2/4
15	1029	697	16	x2	2/4



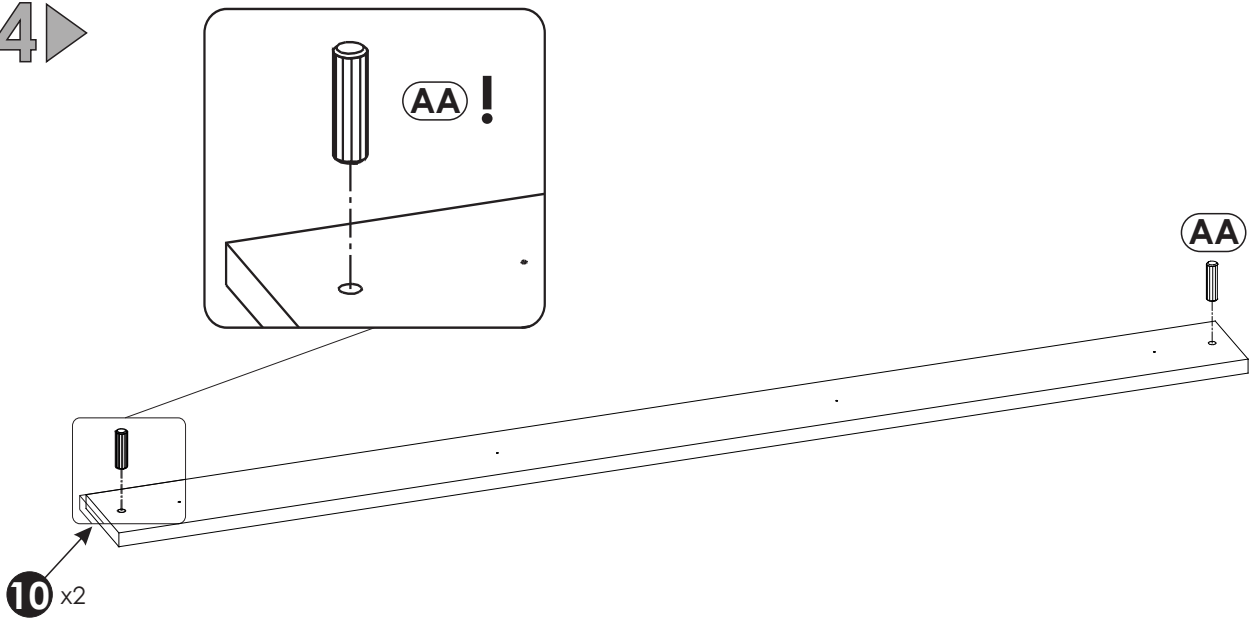




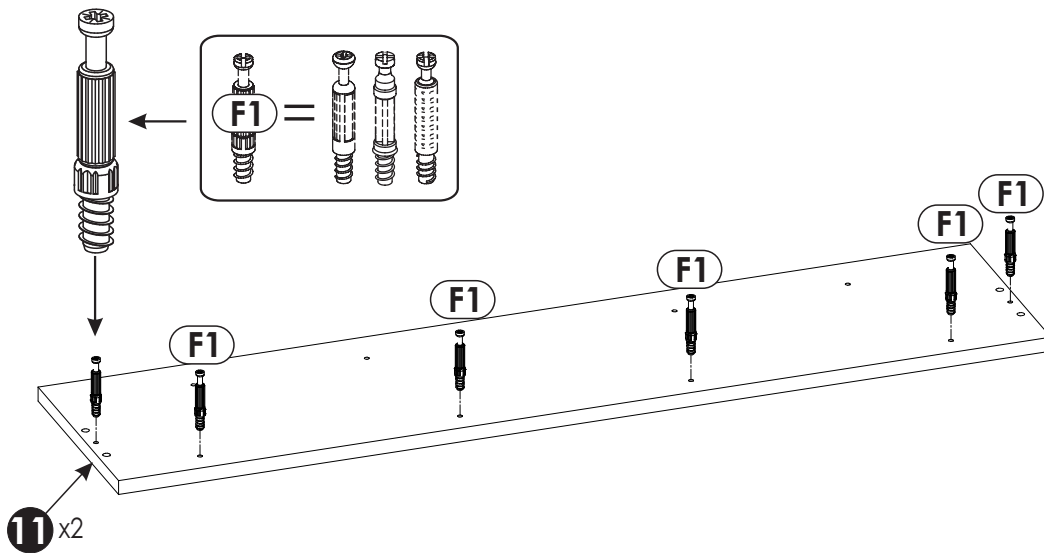
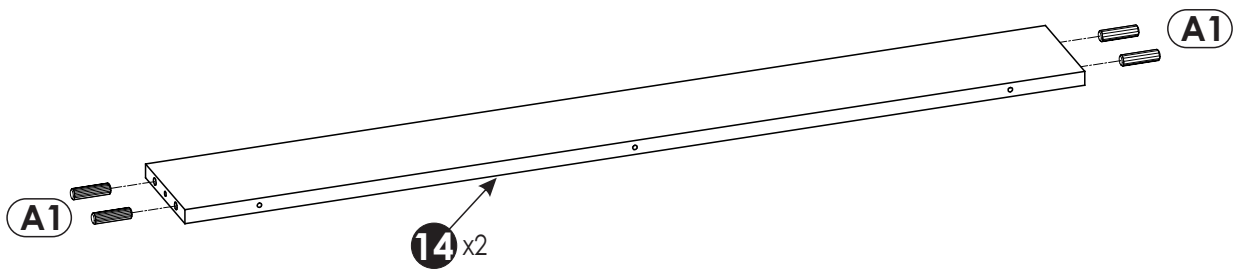
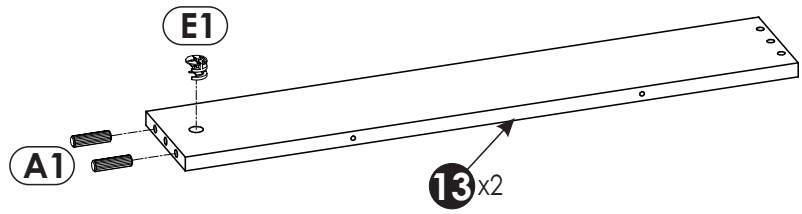
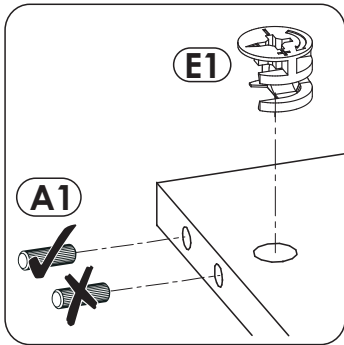
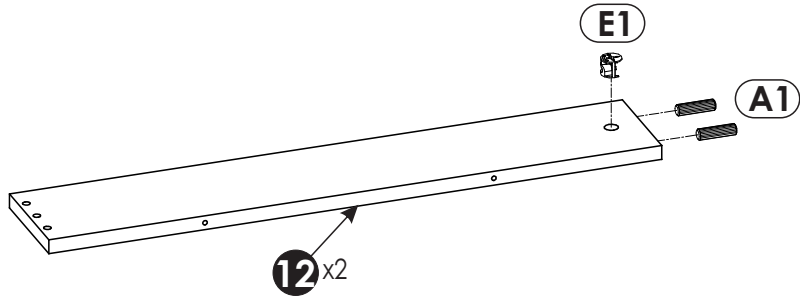
3 ▶



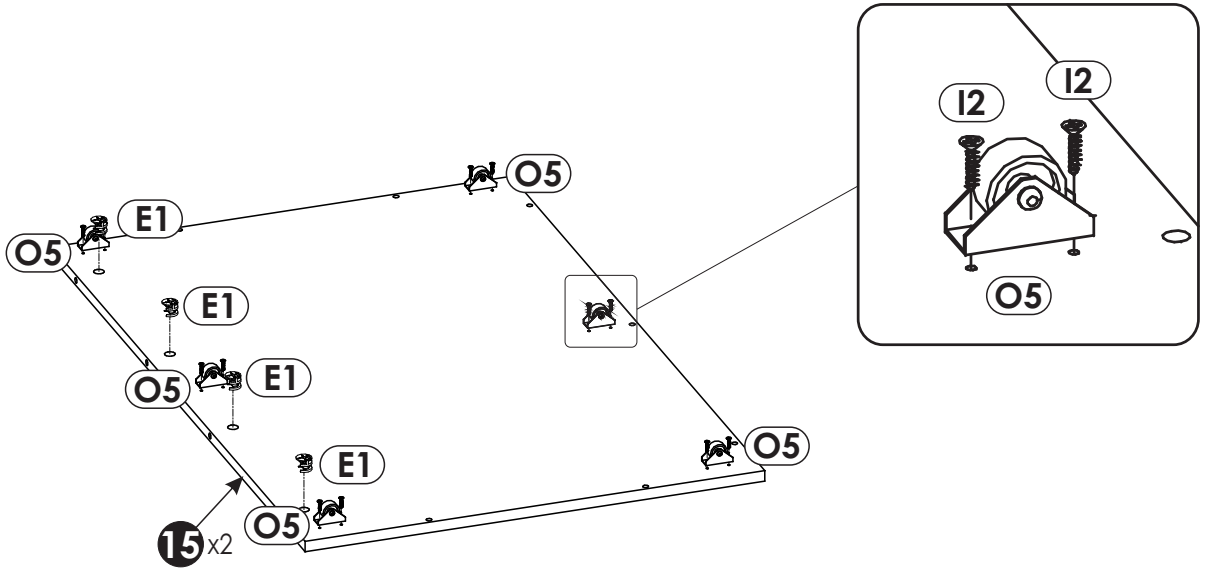
4 ▶



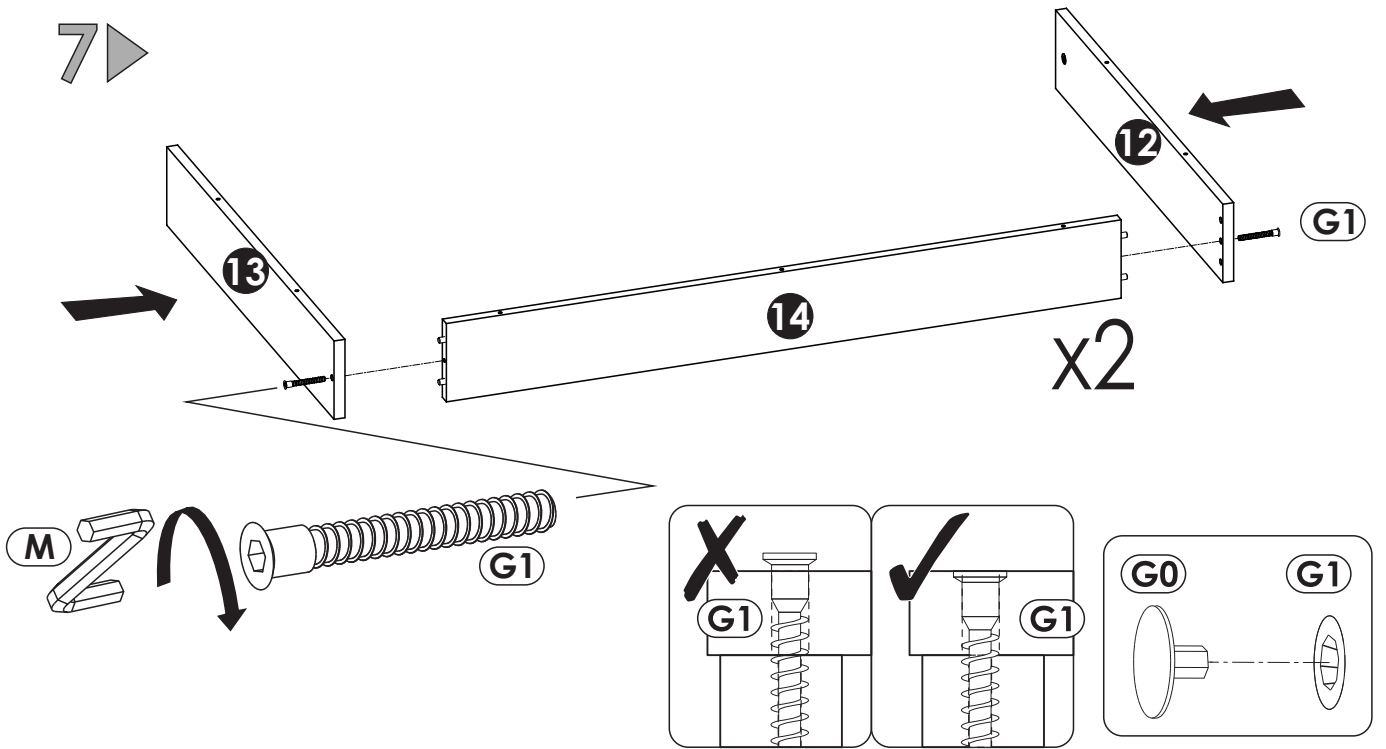
5 ▶



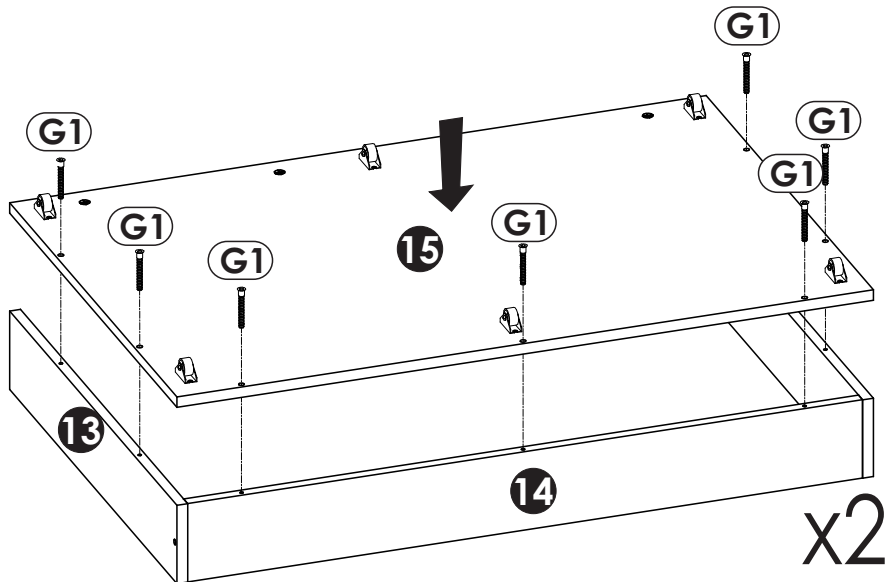
6 ▶



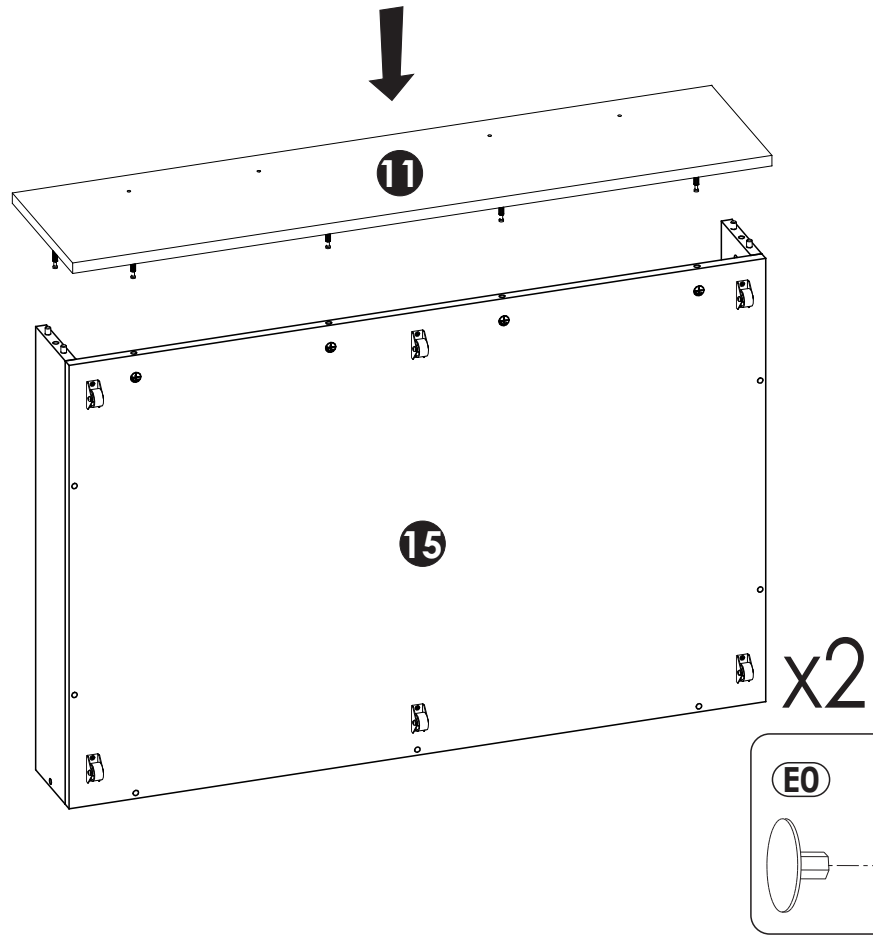
7 ▶



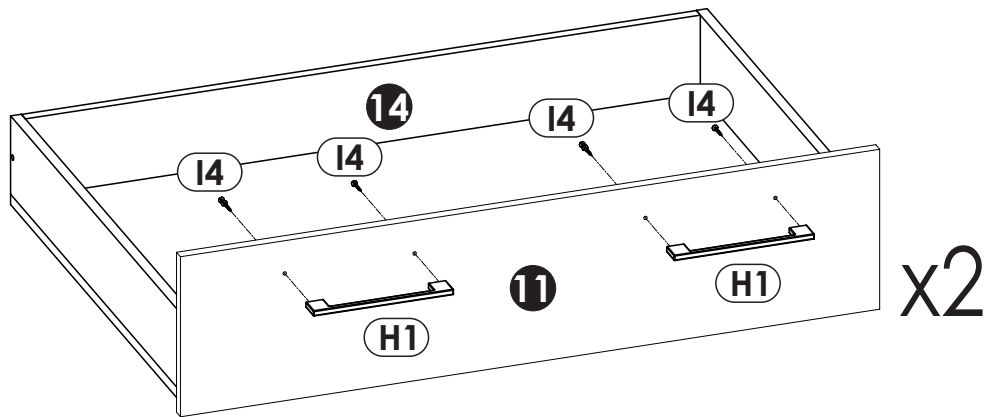
8 ▶



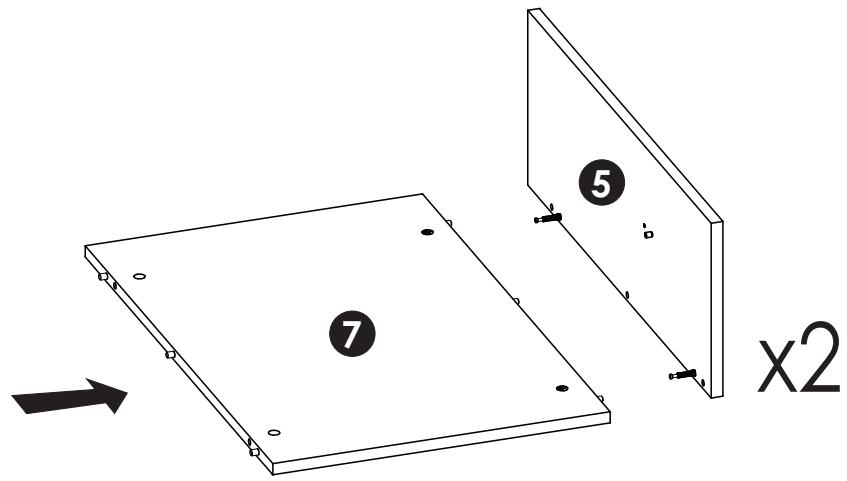
9 ▶



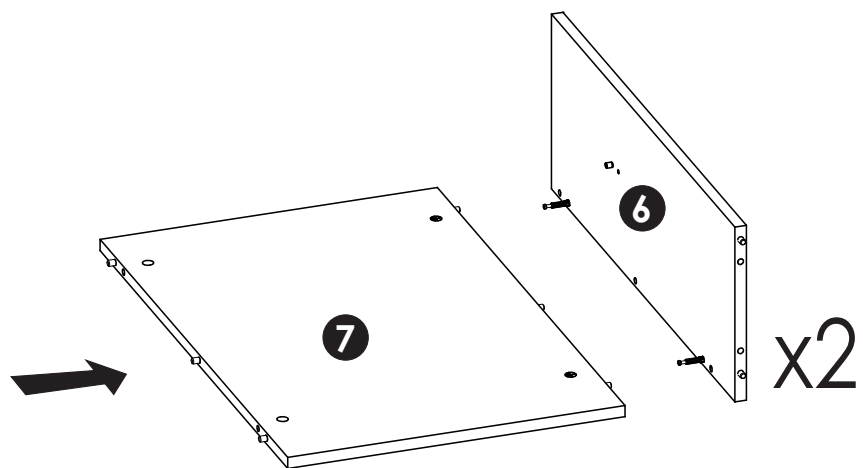
10 ▶



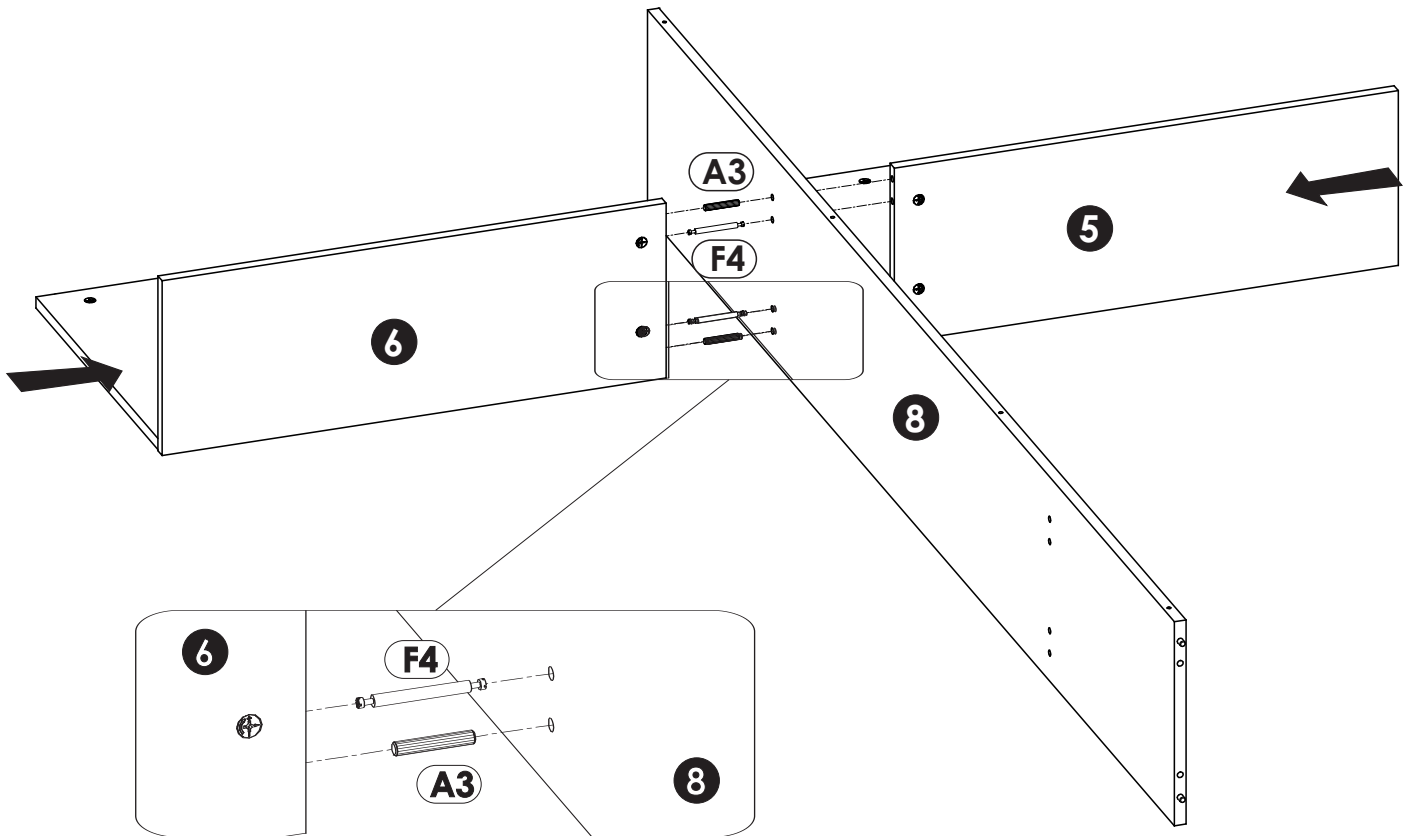
11▶



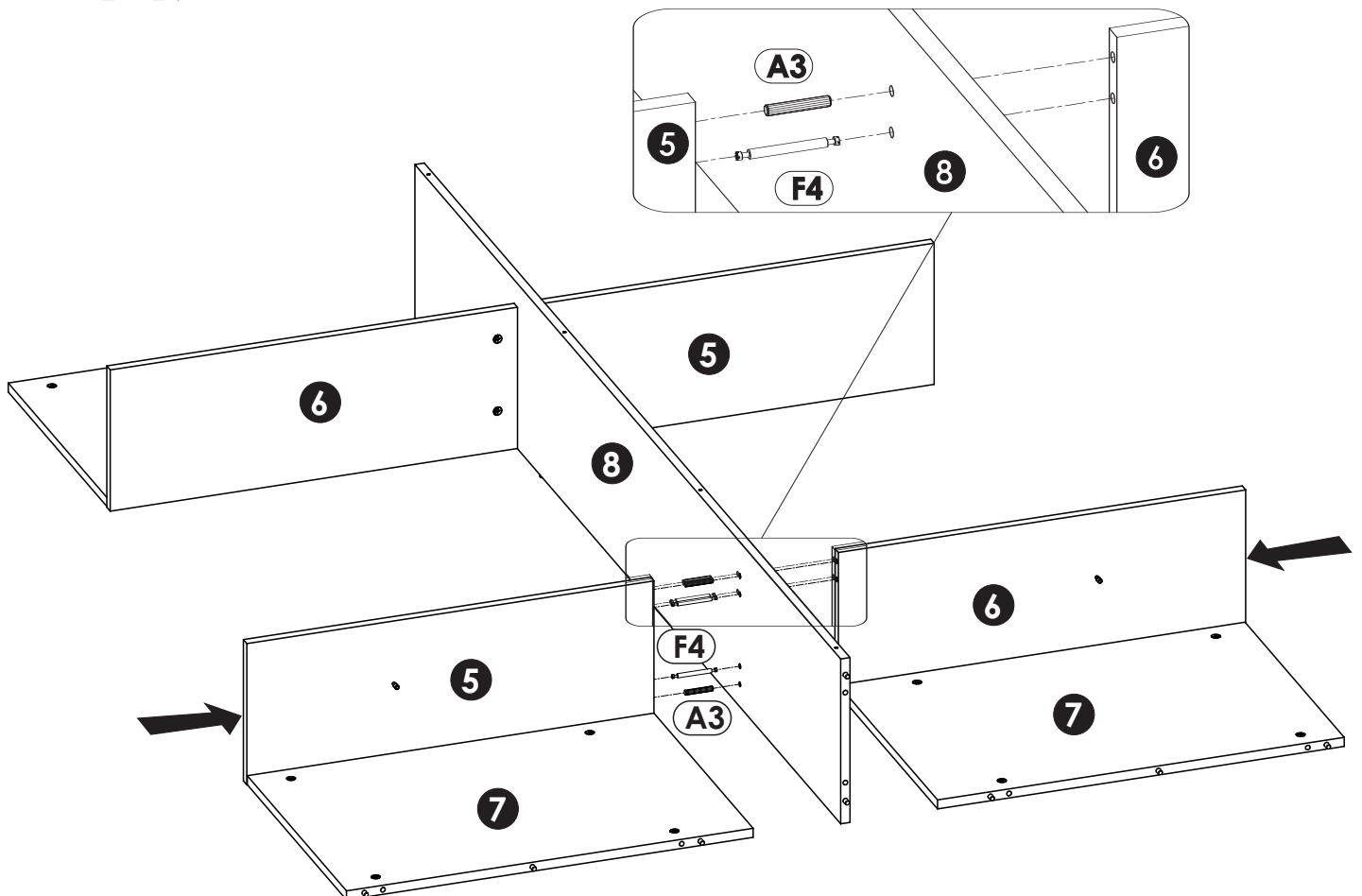
12▶



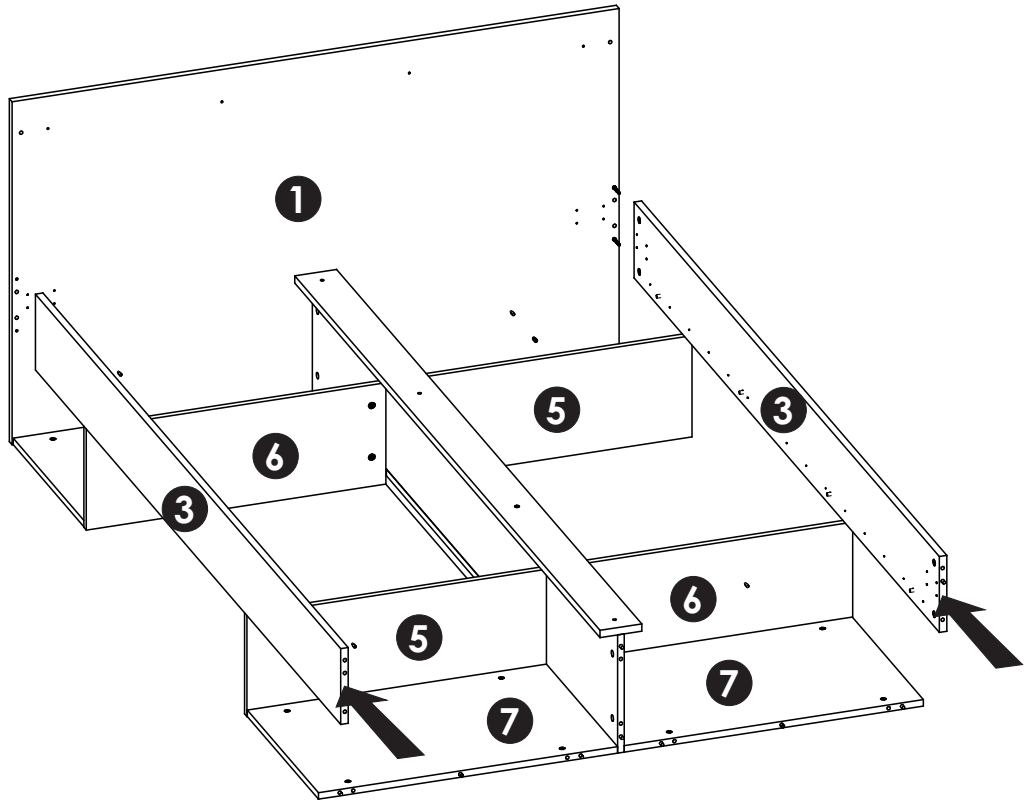
13 ▶



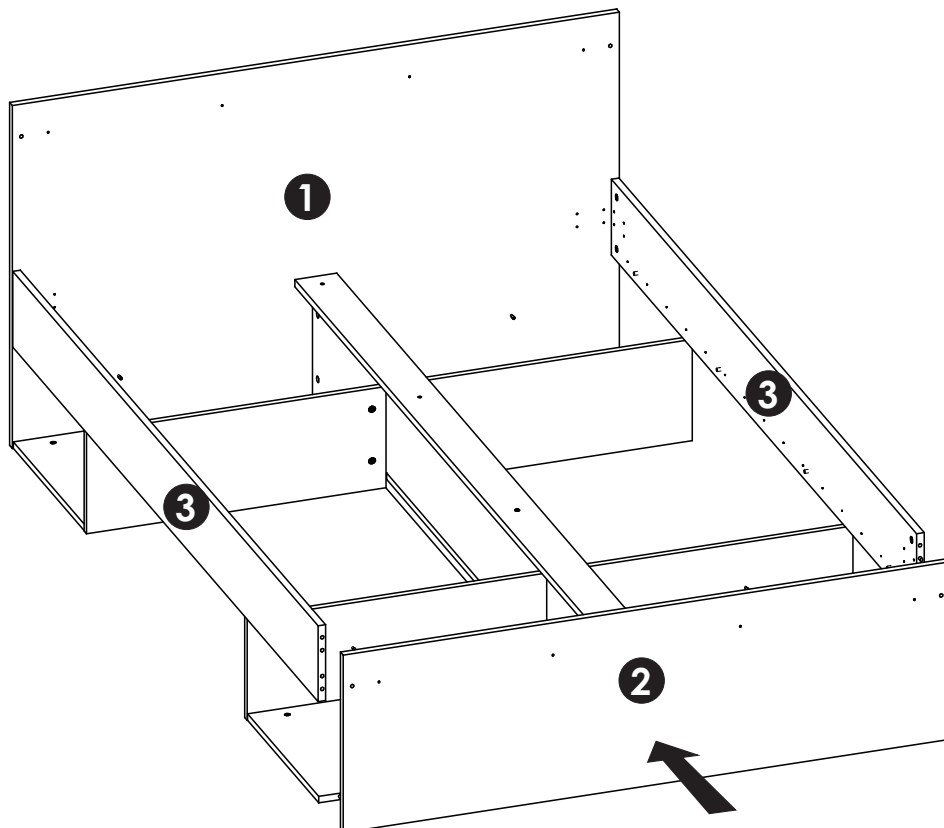
14 ▶



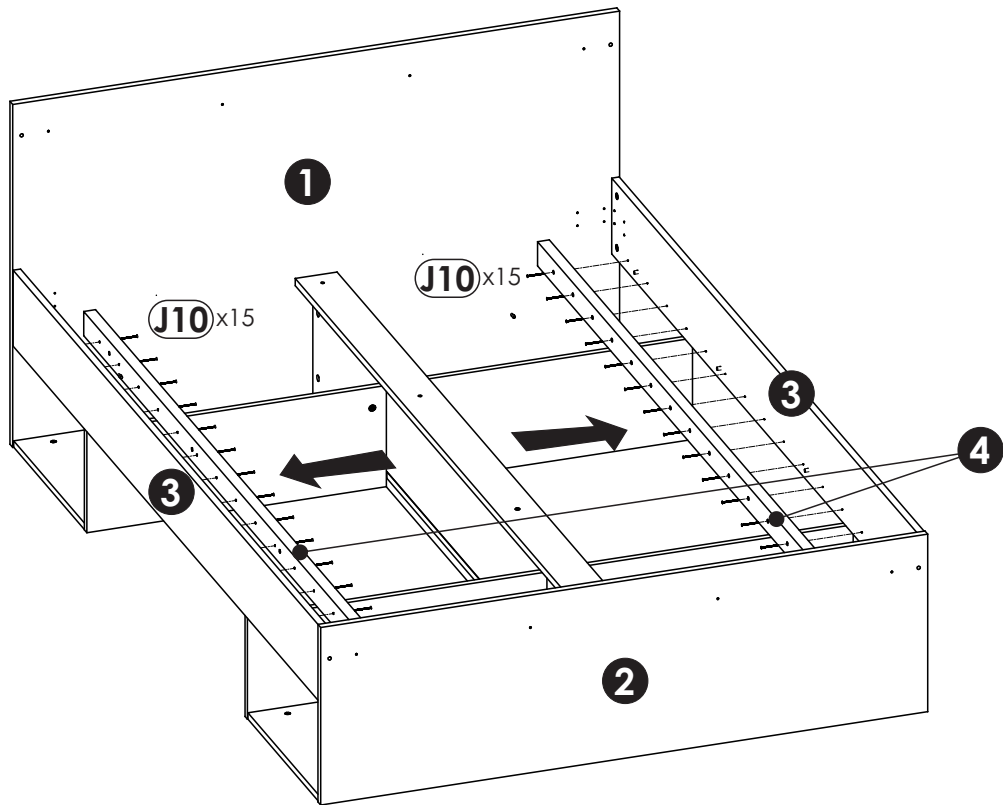
17▶



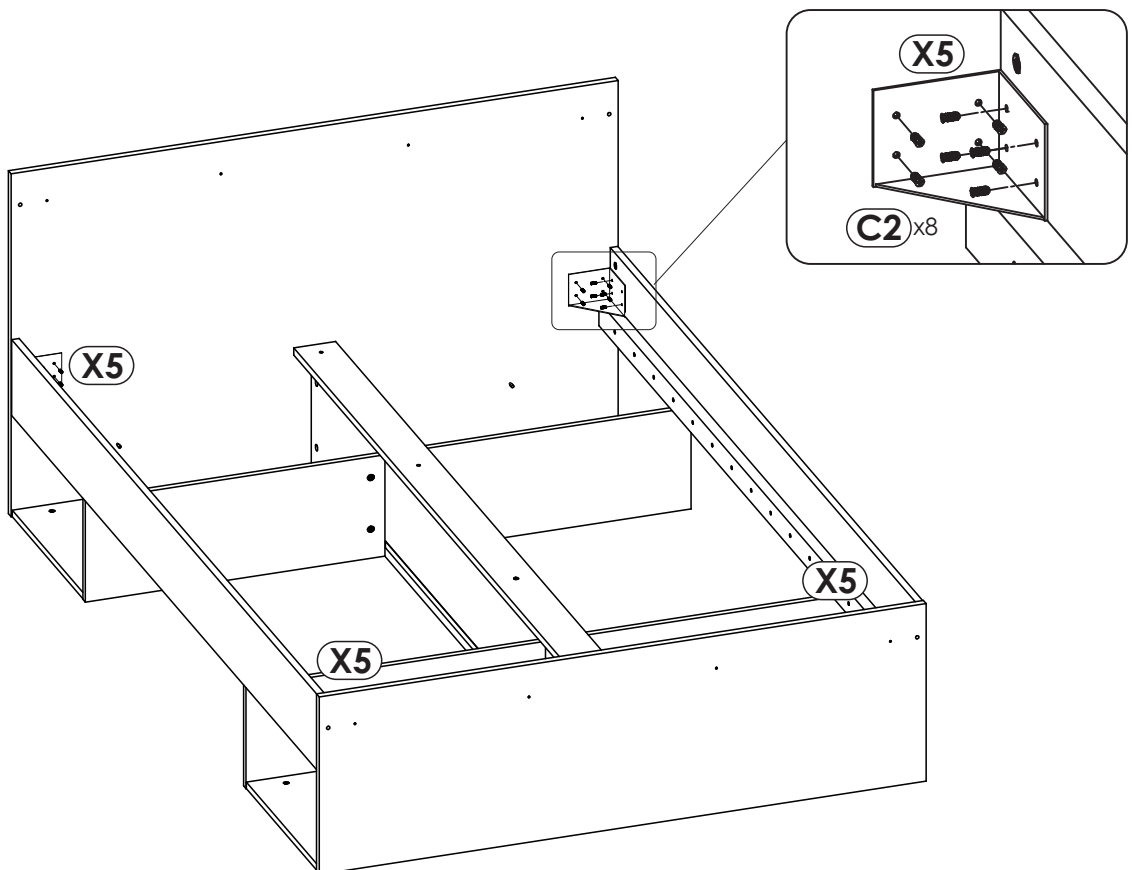
18▶



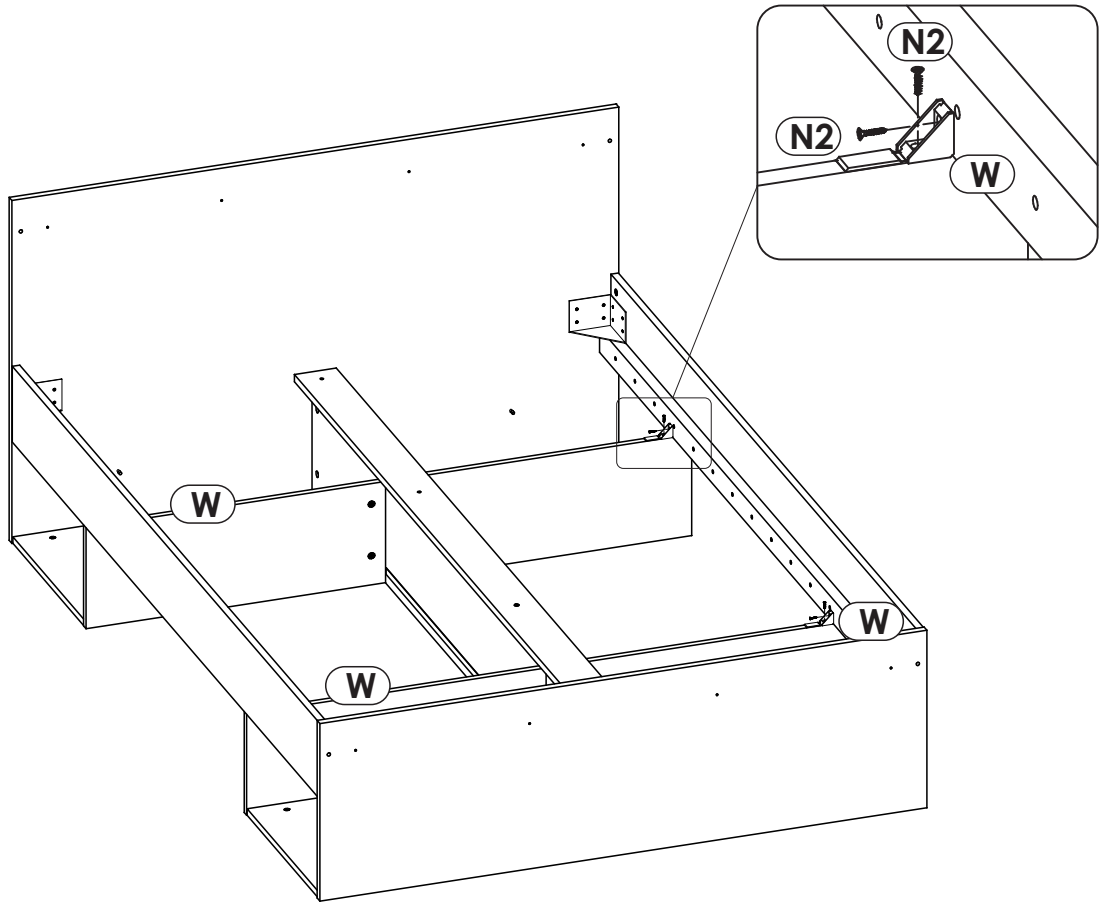
19▶



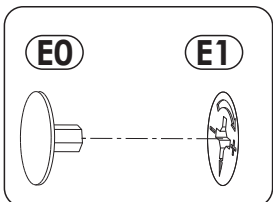
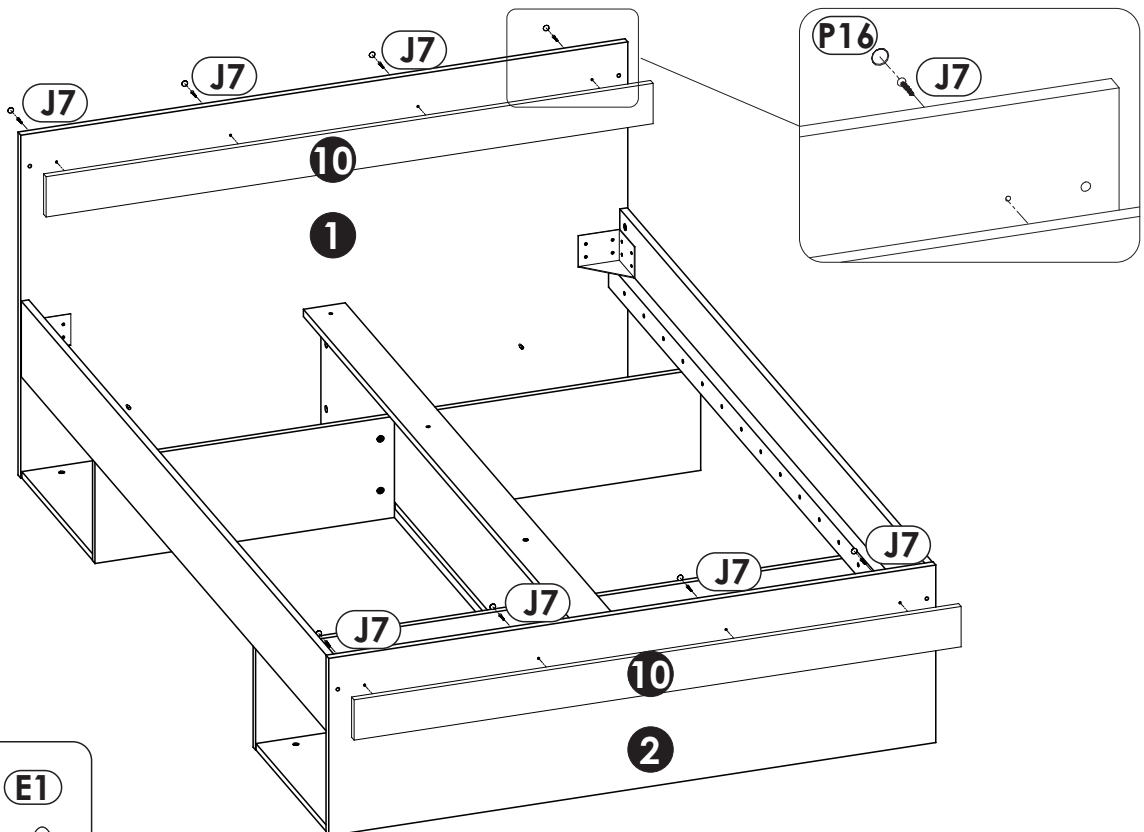
20▶



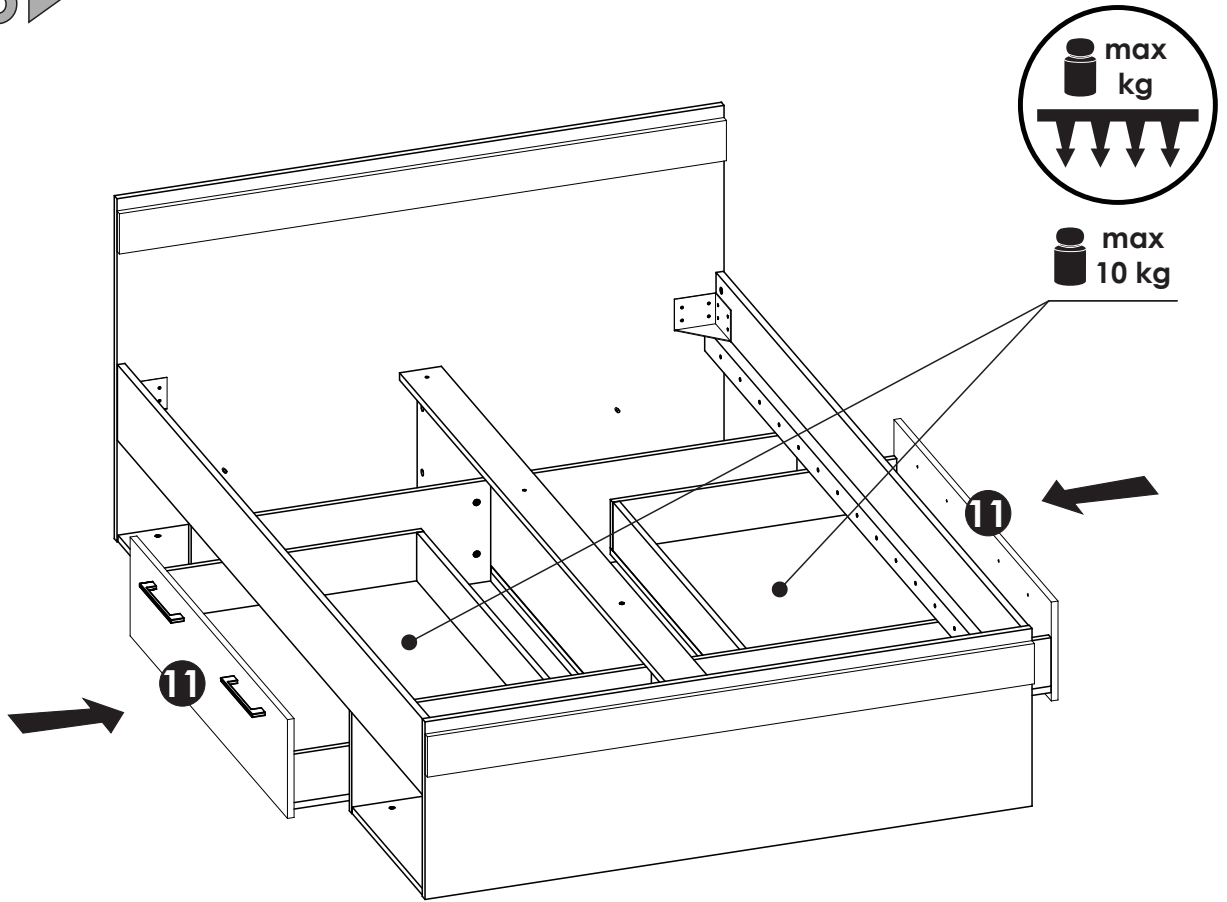
21 ▶



22 ▶



25 ▶



28 ▶

