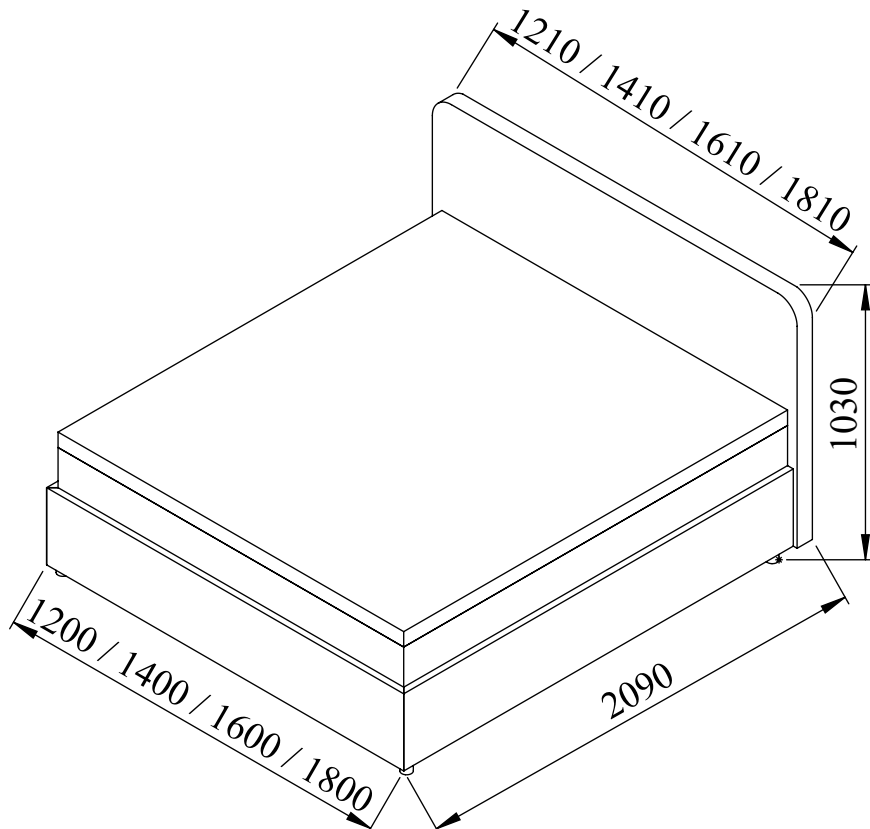
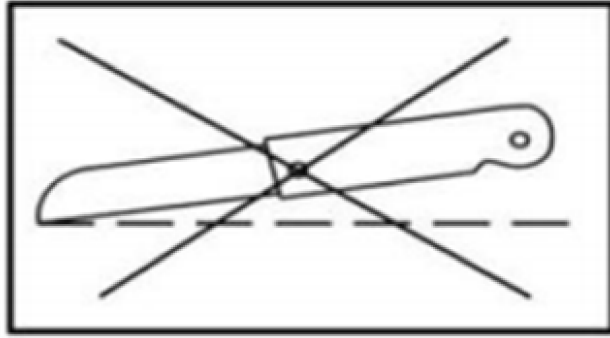


**CARROL / ANTON**



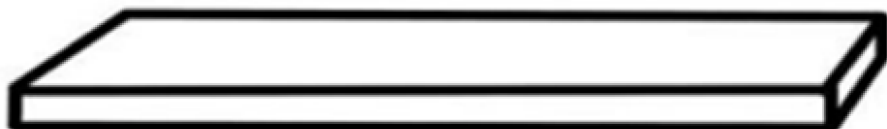
**CAROLINA / ANTONIO**

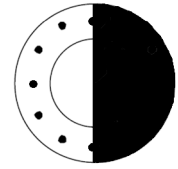
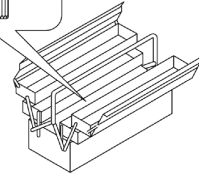
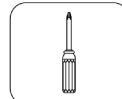
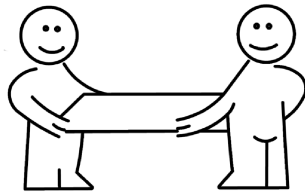


195 cm



72h

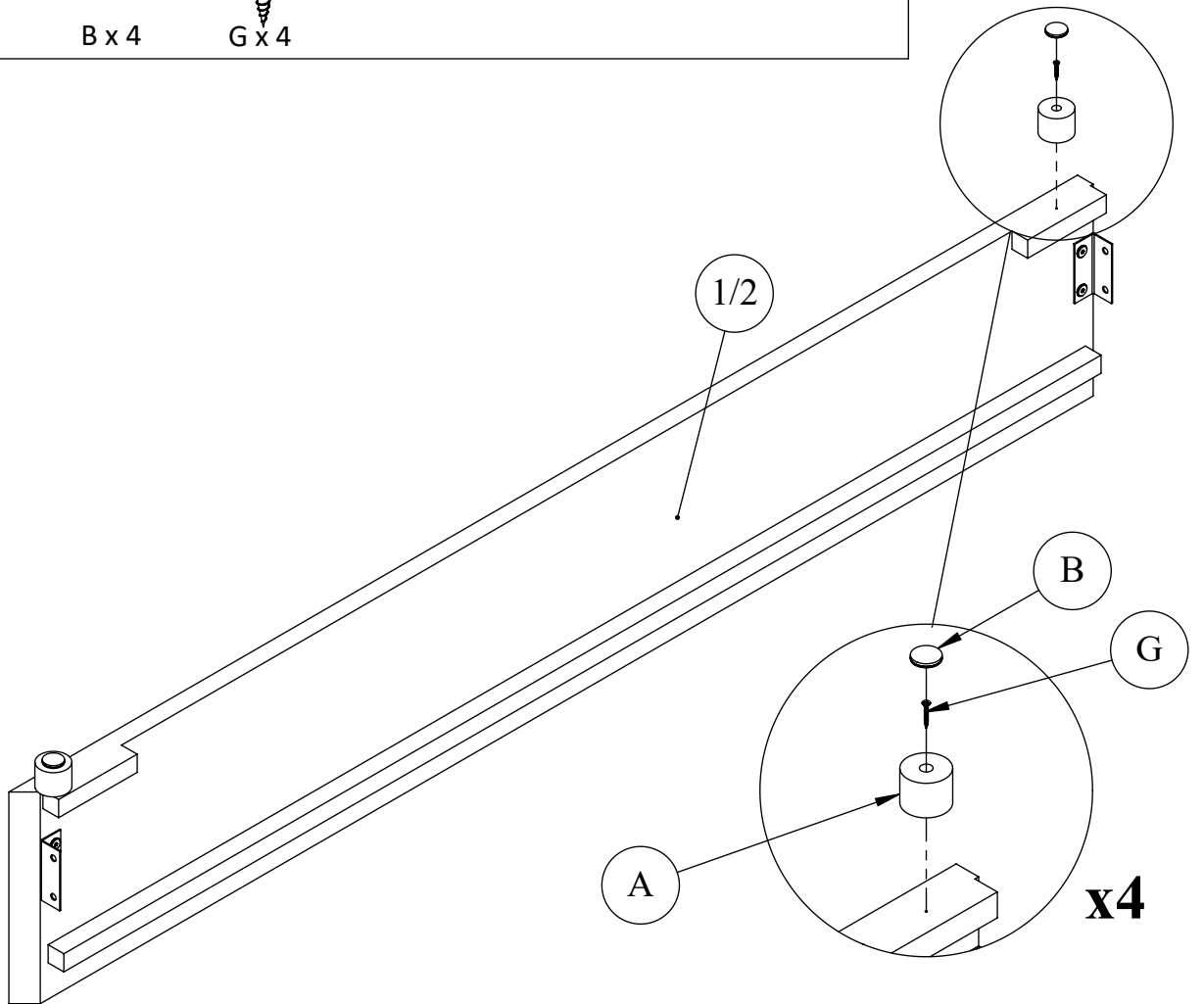
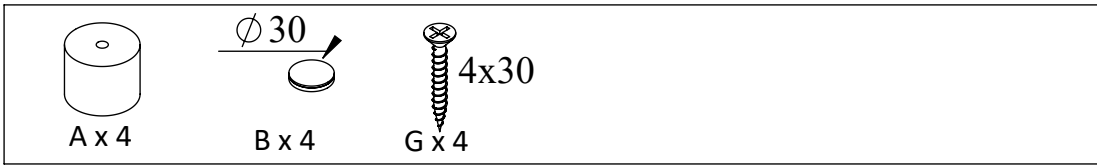
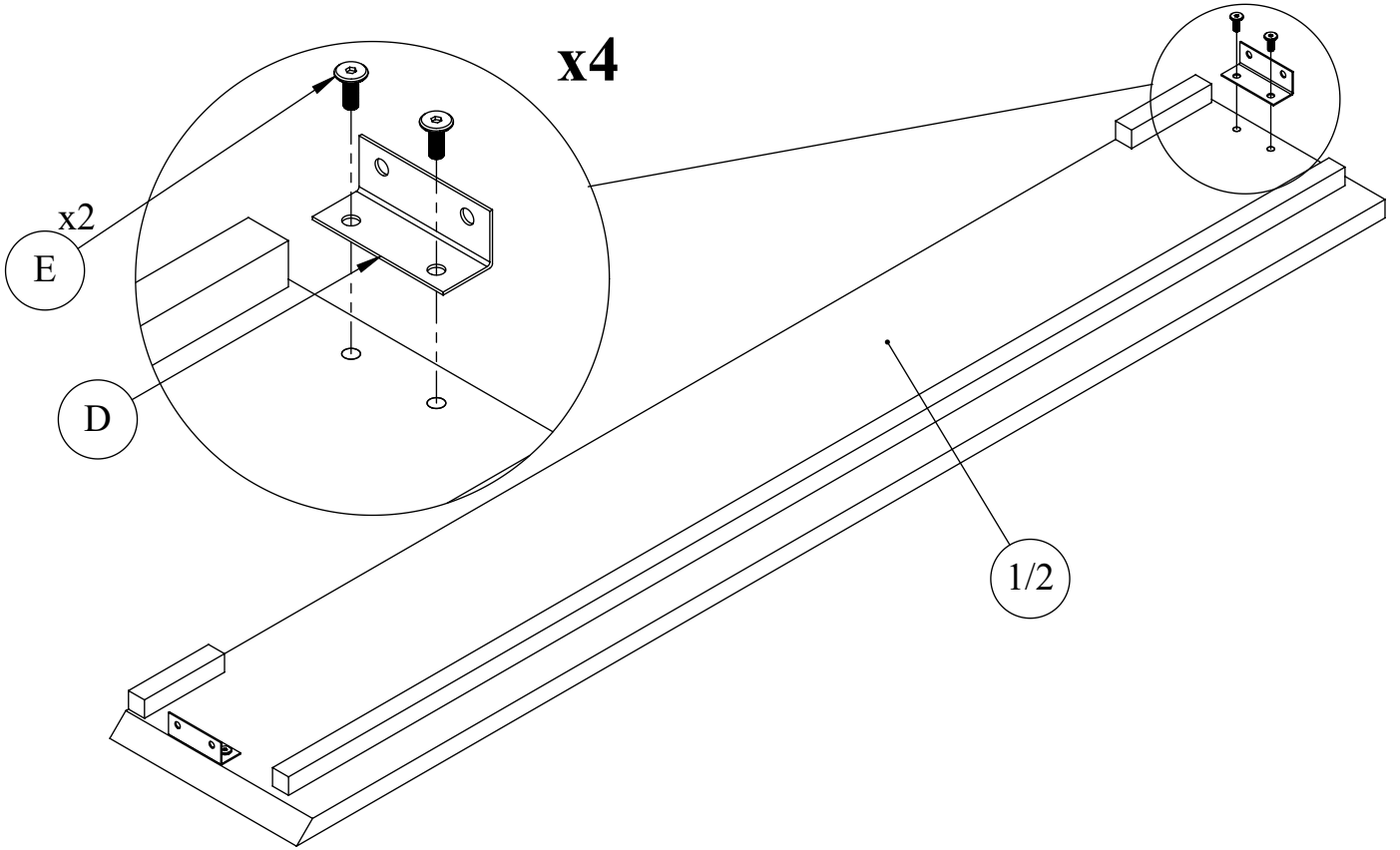


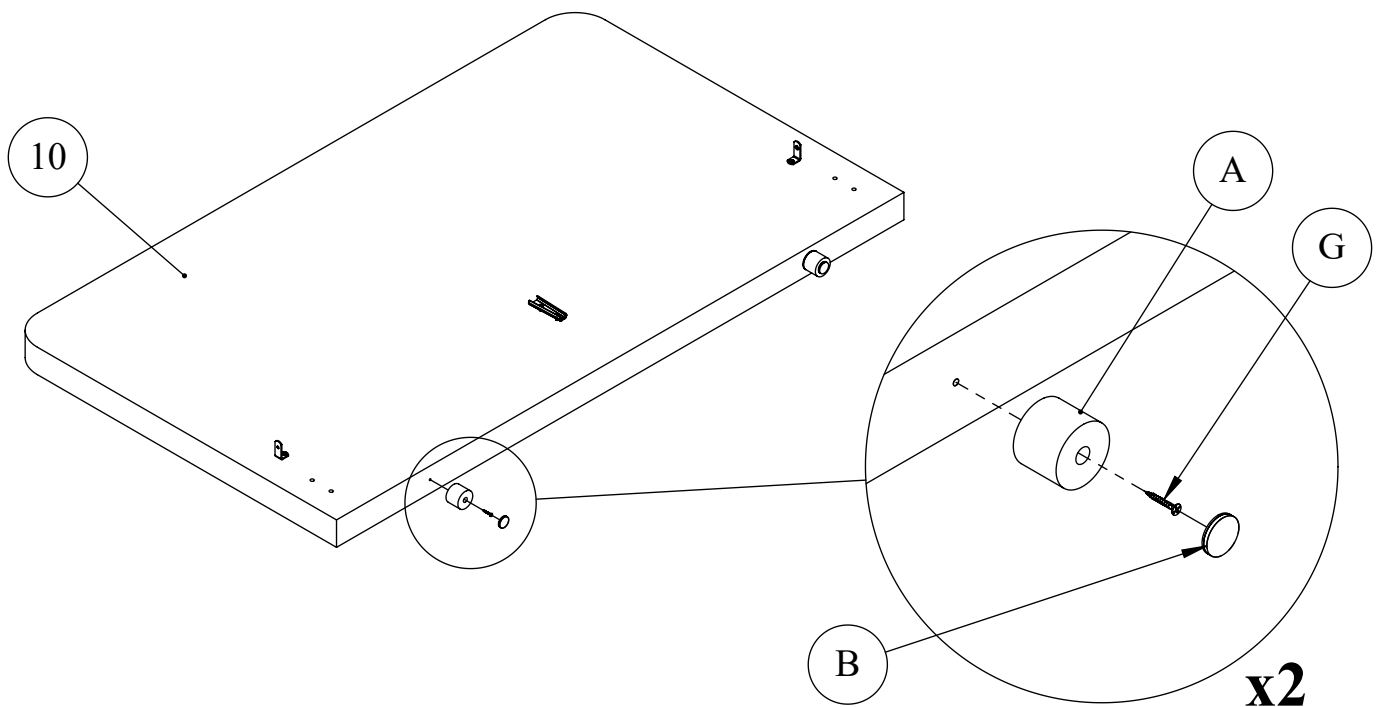
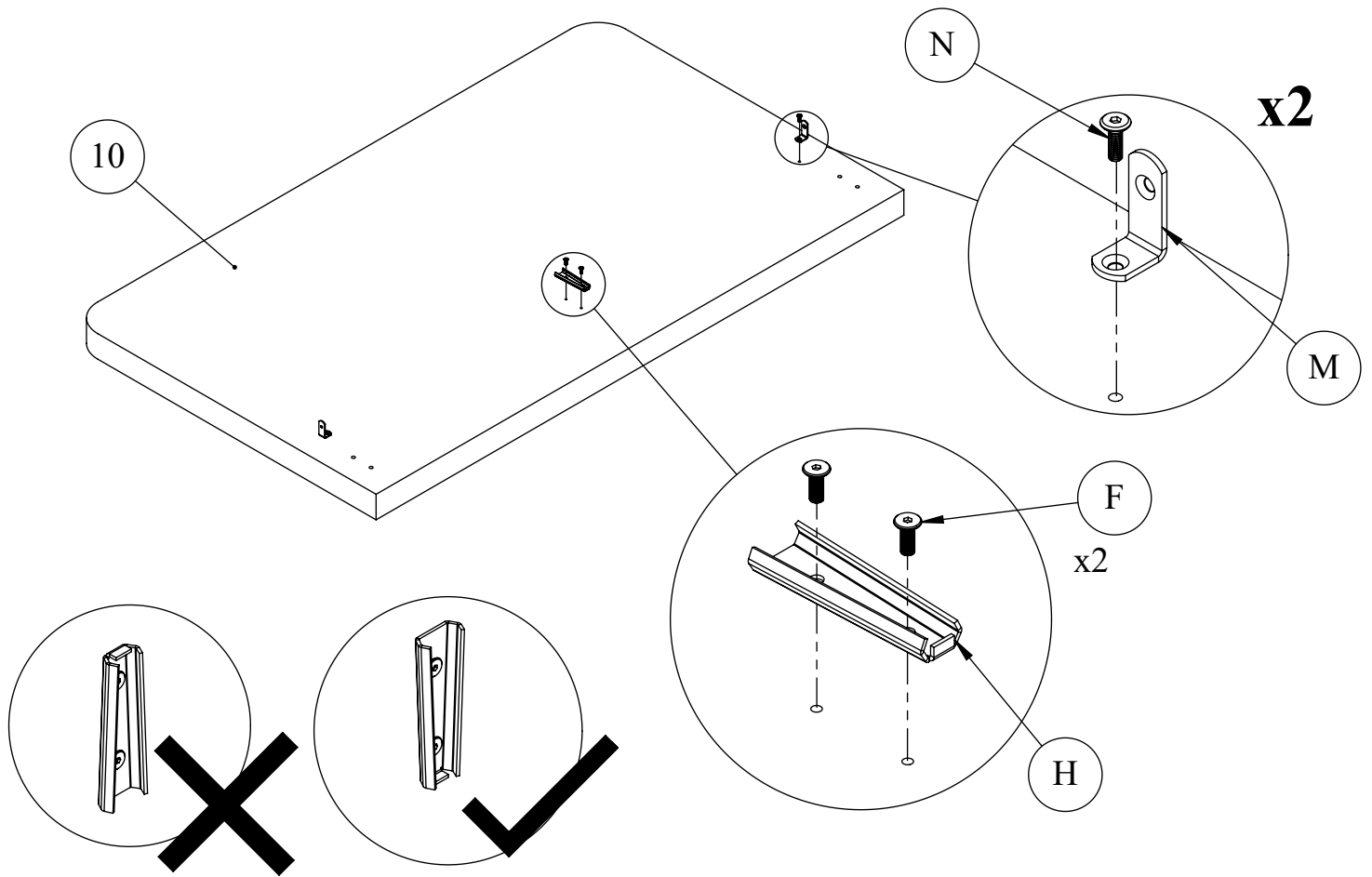
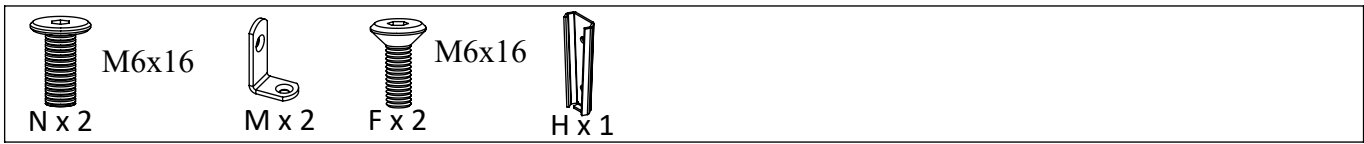


60 min

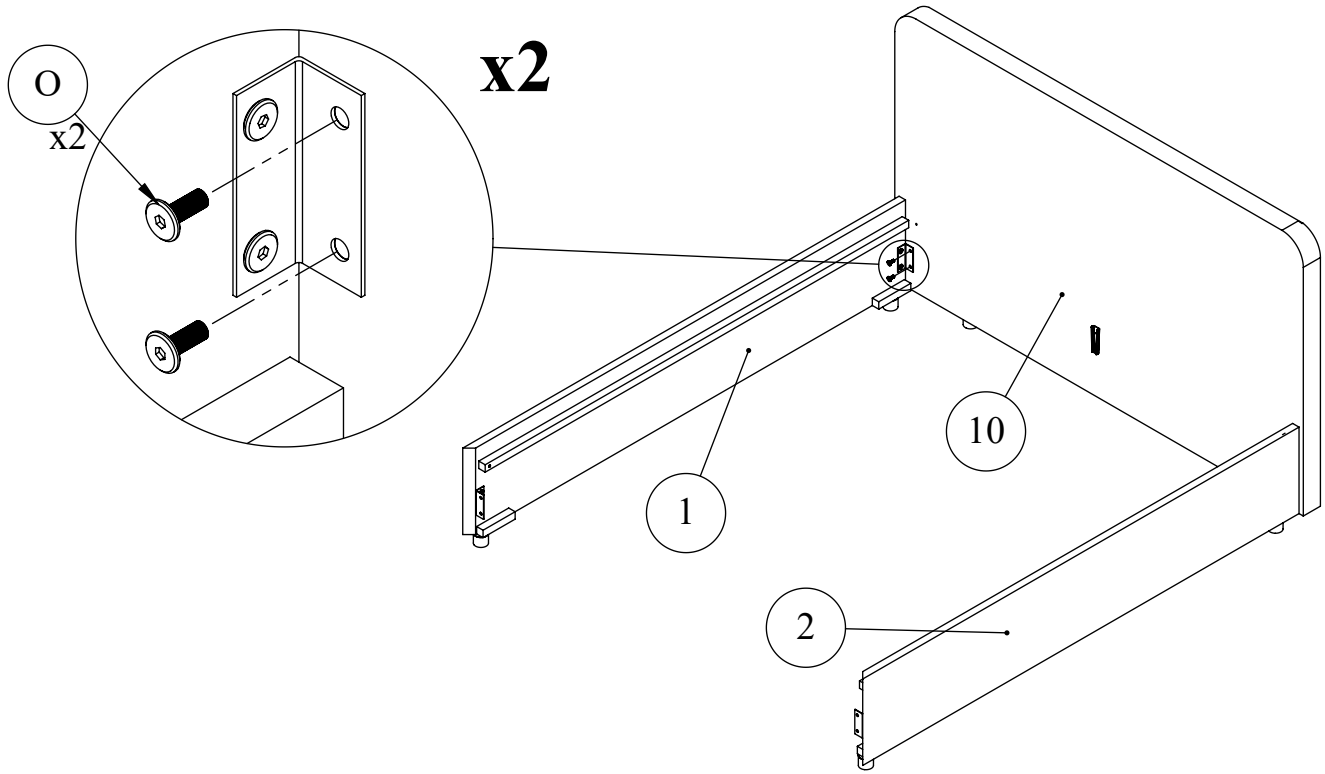
A x 6	B x 6	C x 1	D x 4	E x 12
F x 4	G x 48	H x 2	I x 2	J x 1
K x 1	L x 4	M x 4	N x 4	O x 4
P x 4				

1x1 (C1)	2x1 (C1)	3x1 (C1)	4x1 (C2)	5x1 (C2)
x10	x11			
6 x 1 (C2)	7 x 1 (C2)	8x1 (C3)	9x1 (C4)	10x1 (C5)

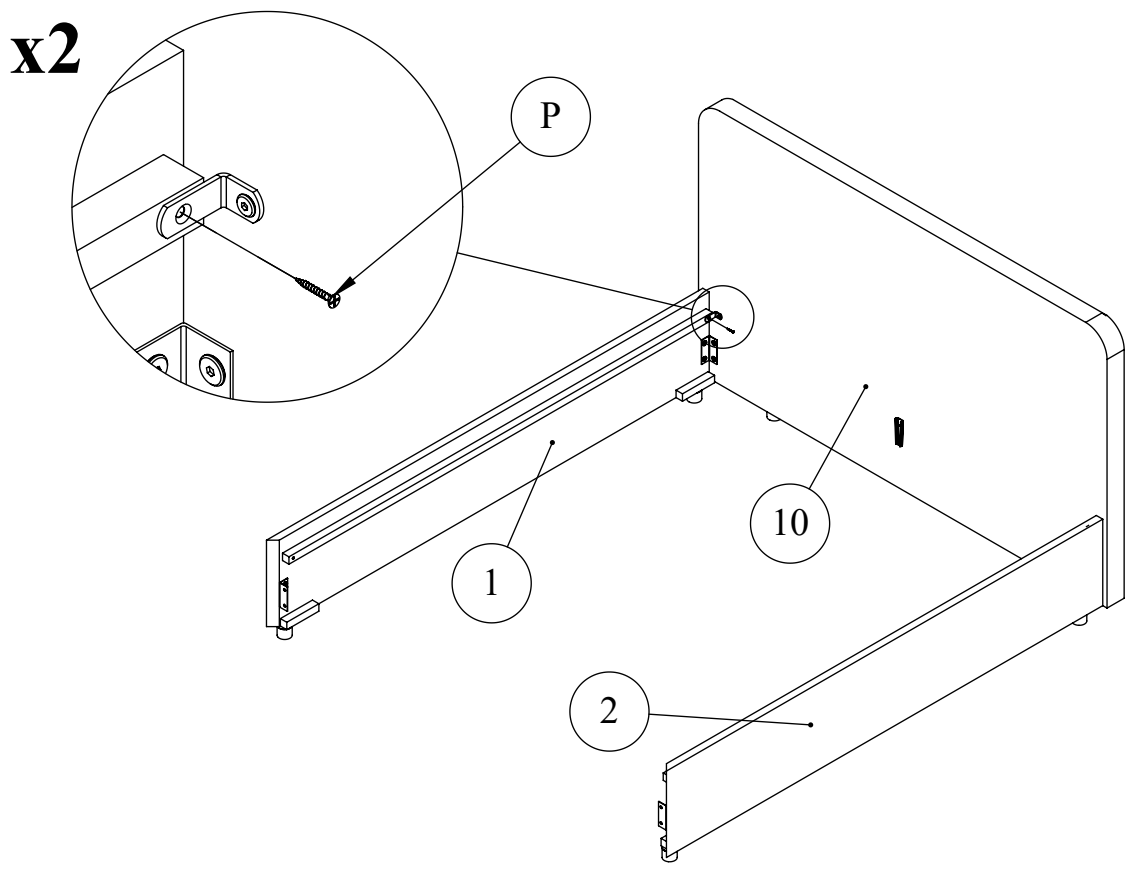




 M8x30  
O x 4

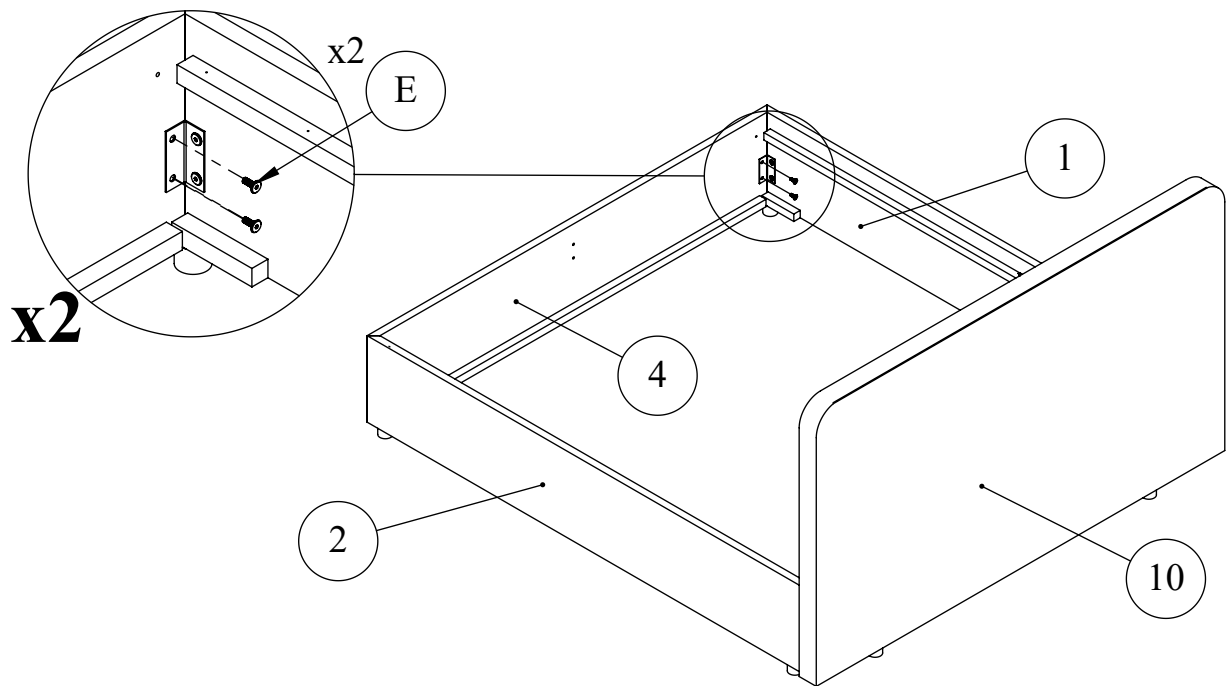


 4x30  
P x 2



M8x16

E x 4

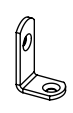


4x30

P x 2

M6x16

N x 2



M x 2

