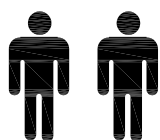
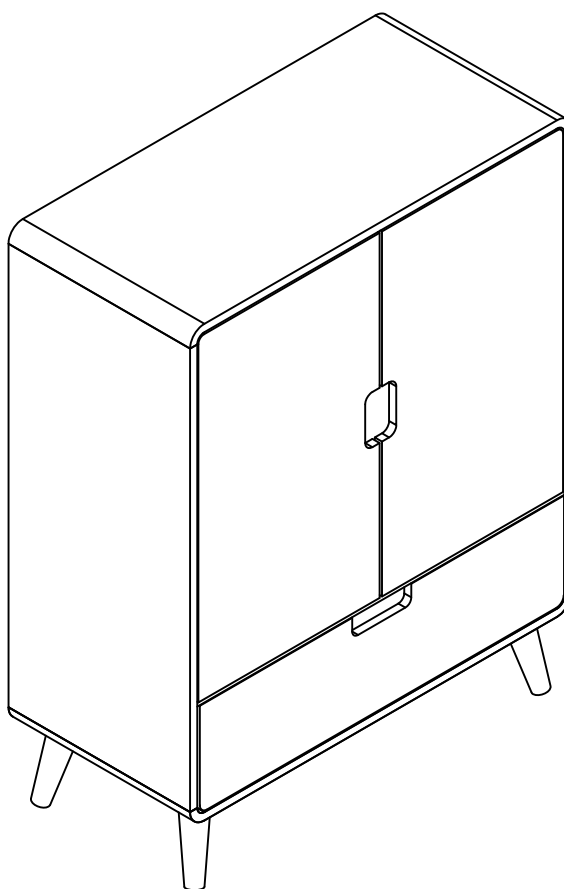
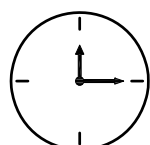


29940063-06

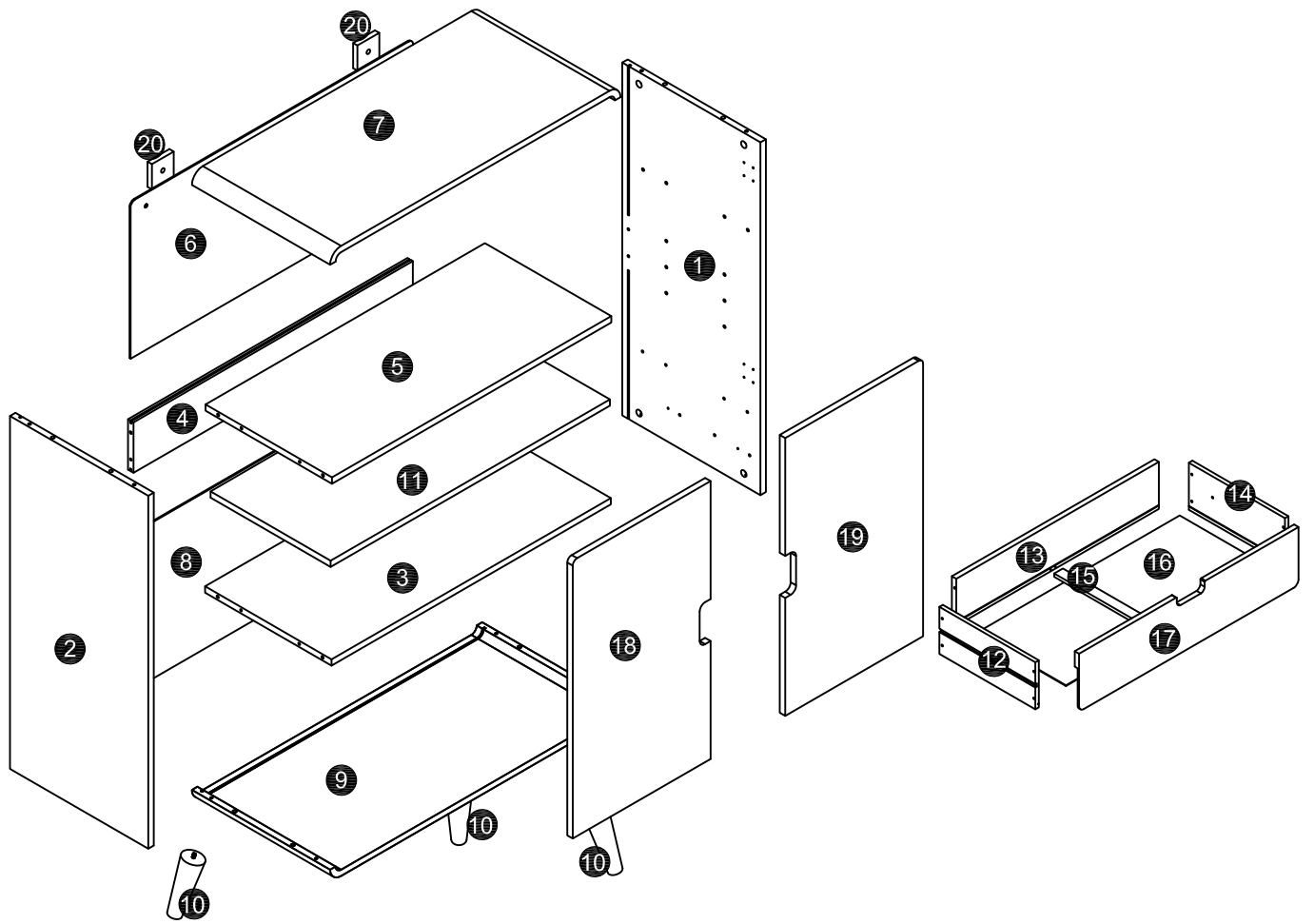
HF30010-14



2 PERS.



60 MIN



Q	x 2
M4x35mm	

S	x 2

A	x 19
ø6X35mm	

B	x 19
ø15X10mm	

C	x 8

D	x 18
ø6x30mm	

E	x 20
M4x15mm	

F	x 8
ø20mm	

G	x 4

H	x 12
M3x12mm	

J	x 2
25cm	

K	x 2

L	x 10
M3x25mm	

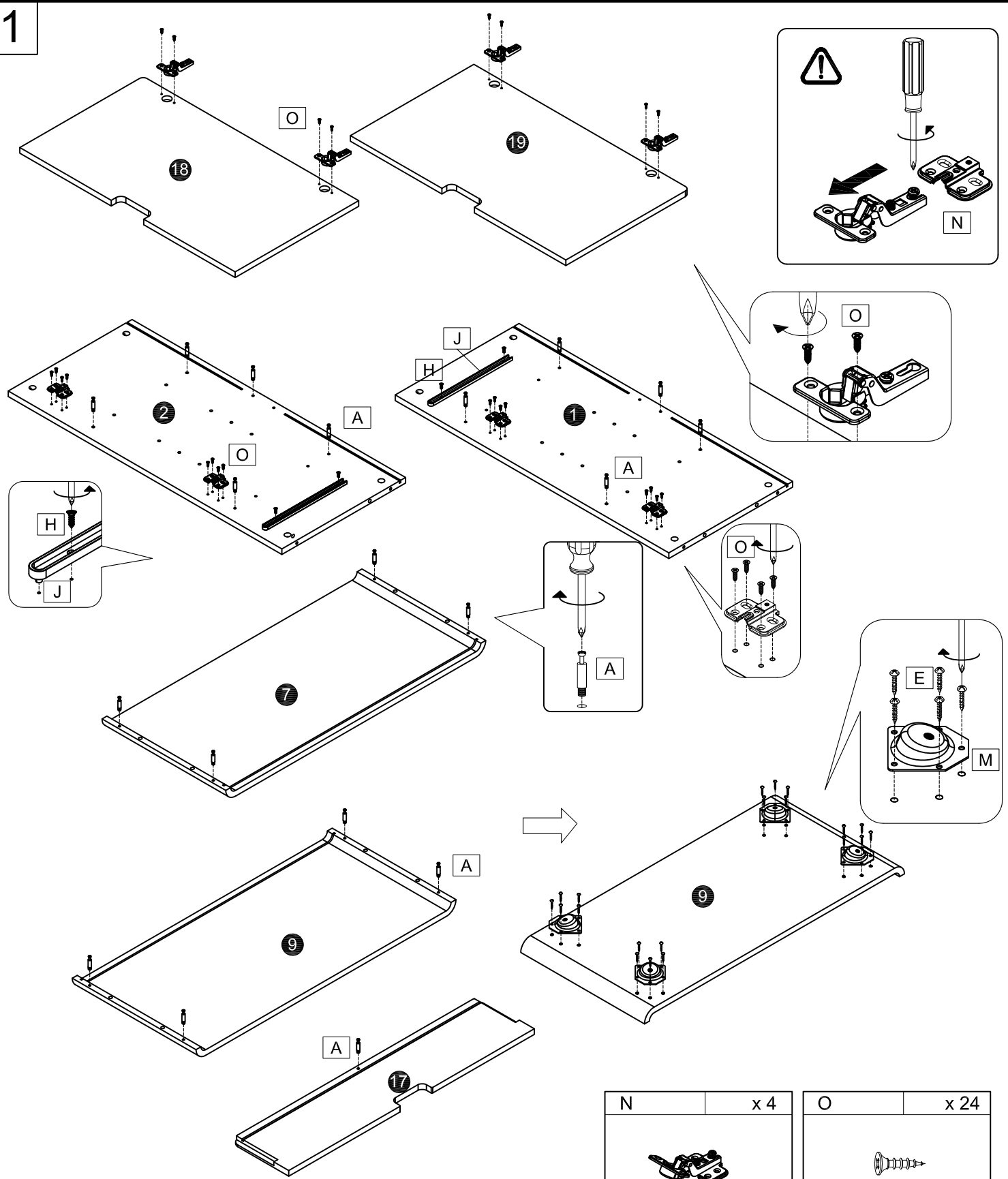
M	x 4

N	x 4

O	x 24
M4x12mm	

P	x 4

1



N	x 4

O	x 24
M4x12mm	

A	x 19
ø6X35mm	

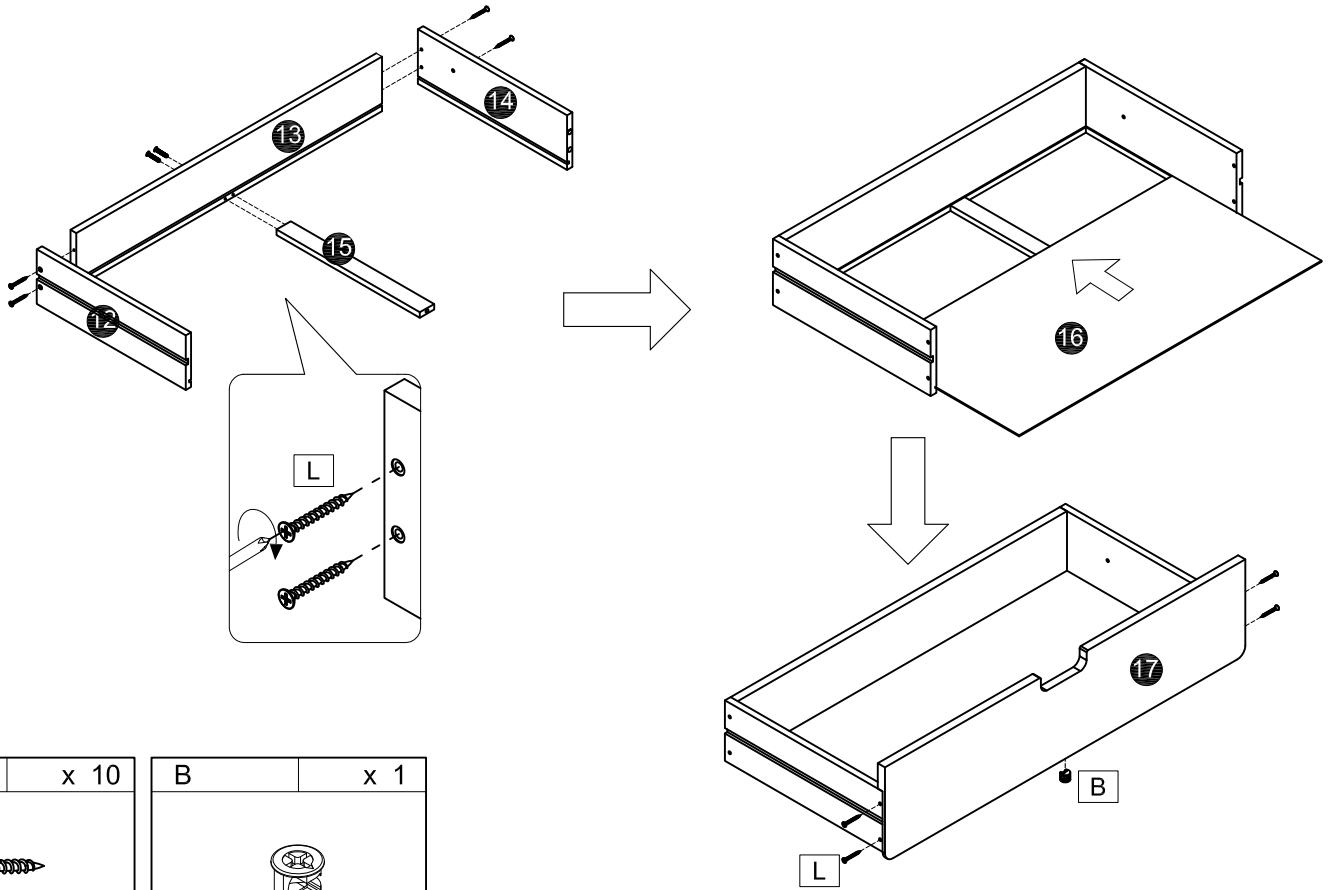
E	x 20
M4x15mm	

H	x 4
M3x12mm	

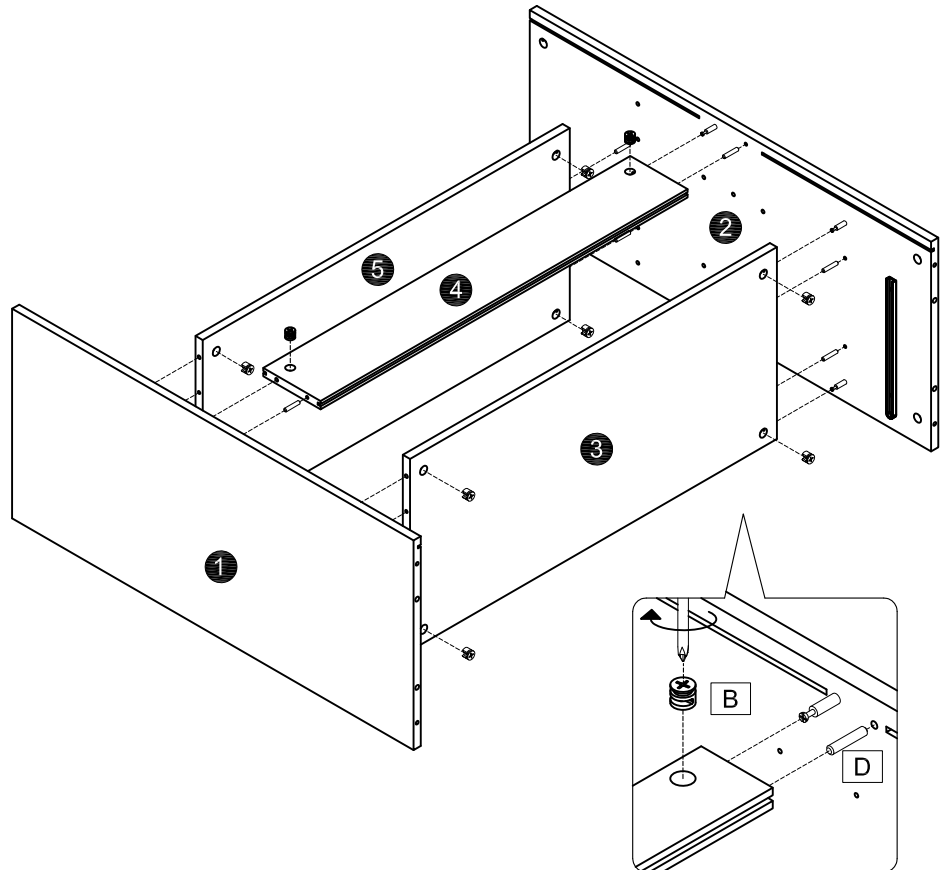
J	x 2
25cm	



M	x 4

2

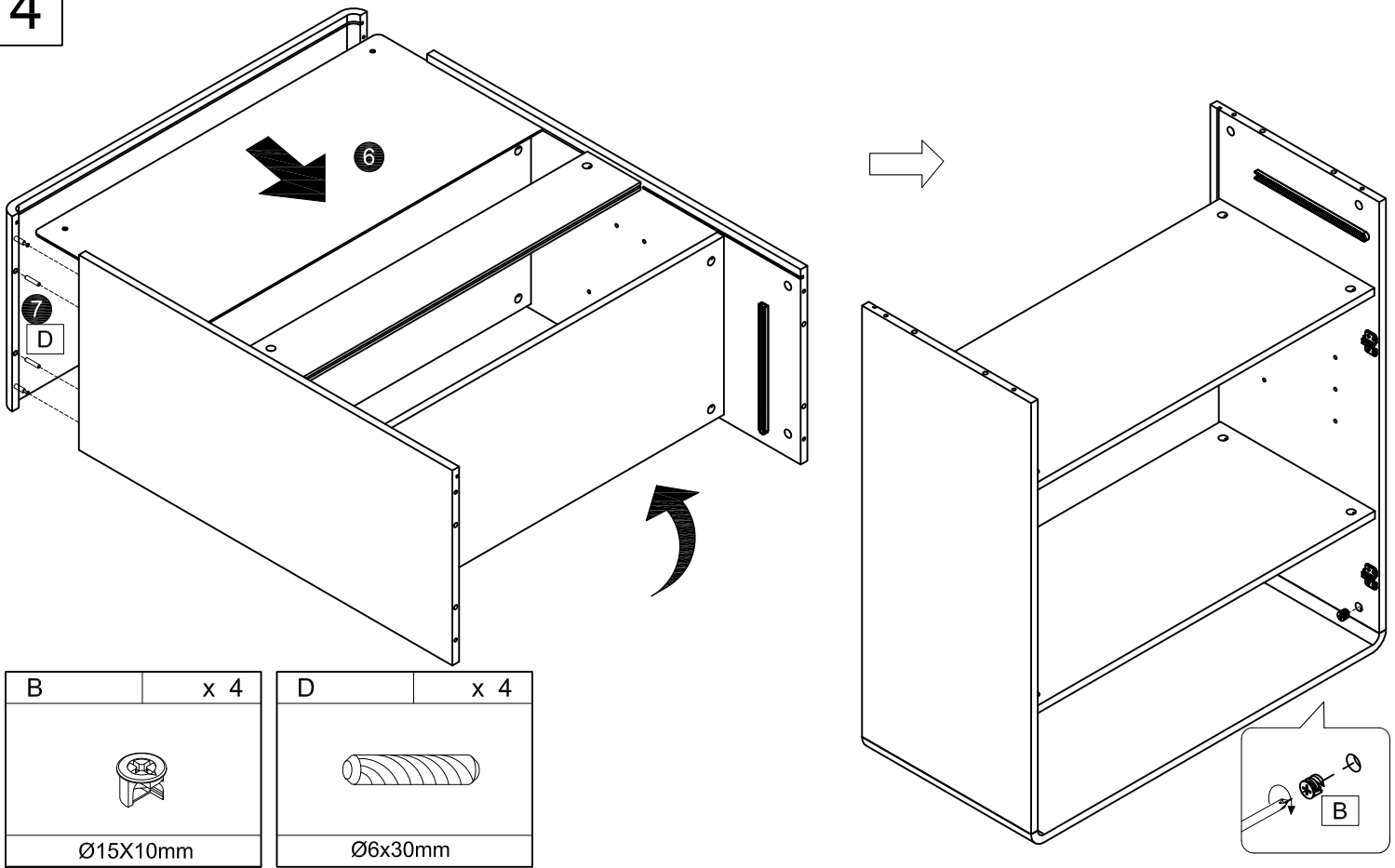


3

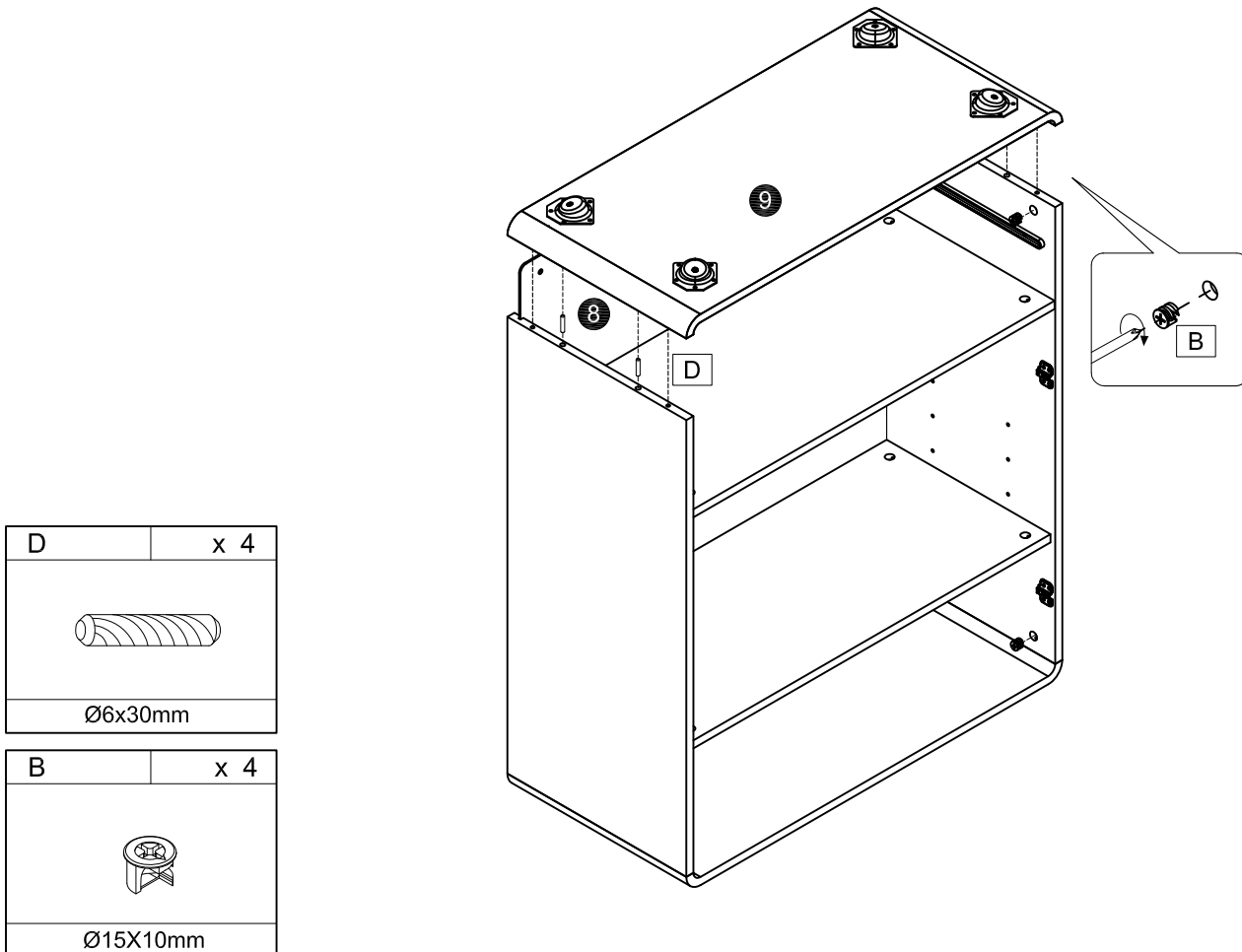


D	x 10
	
Ø6x30mm	
B	x 10
	
Ø15X10mm	

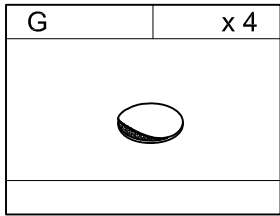
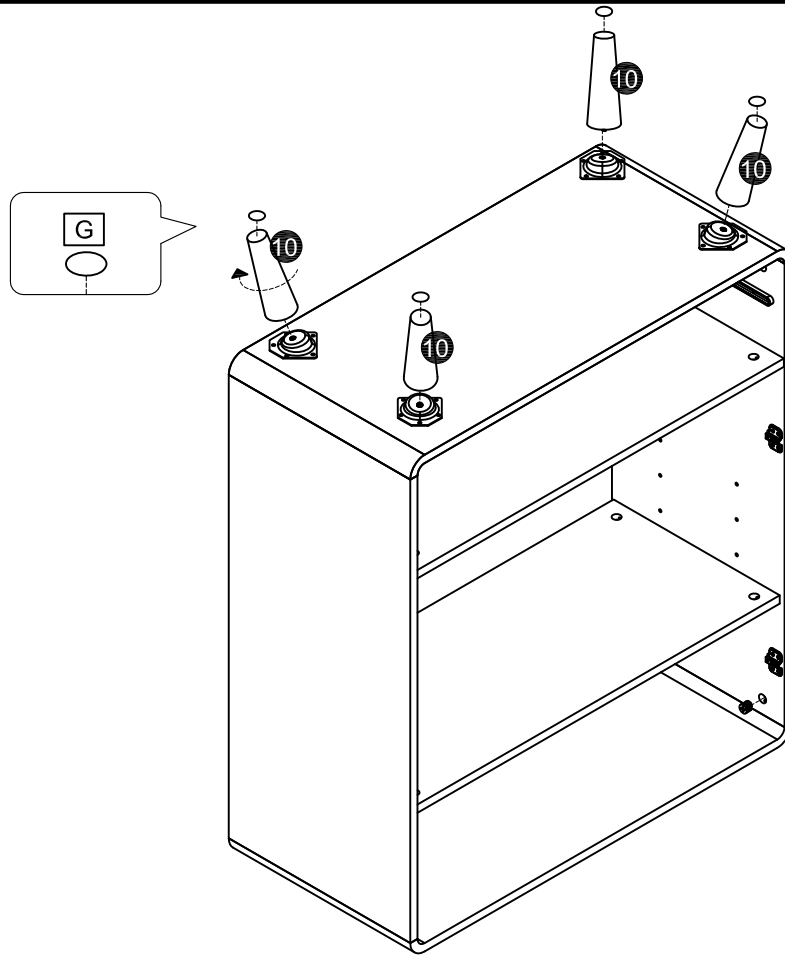
4



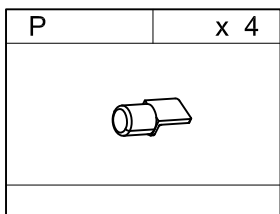
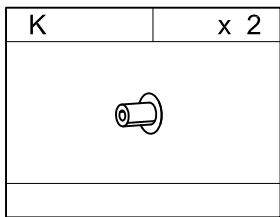
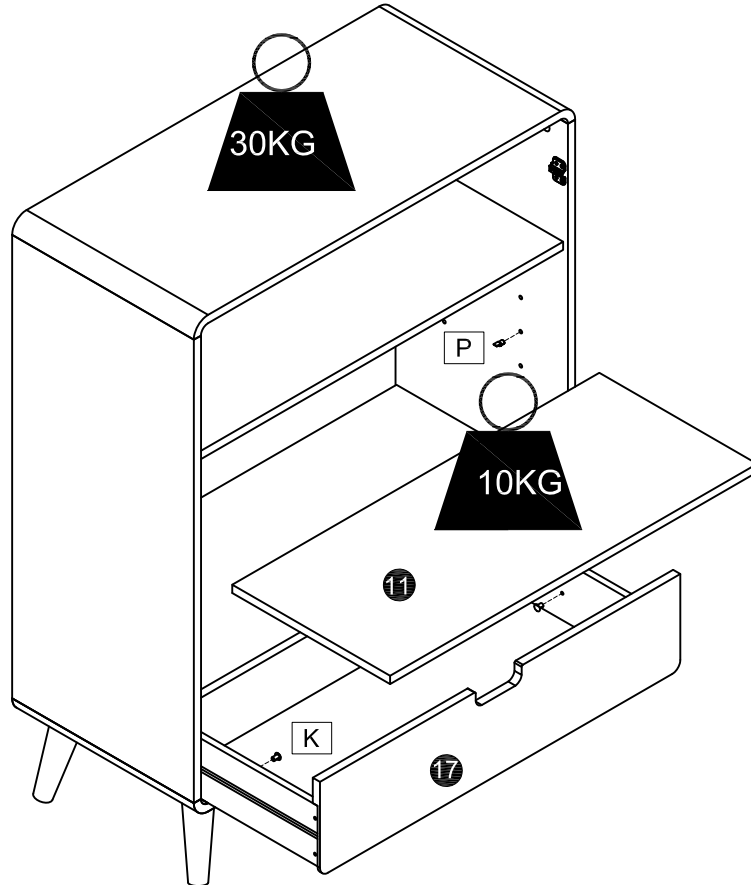
5



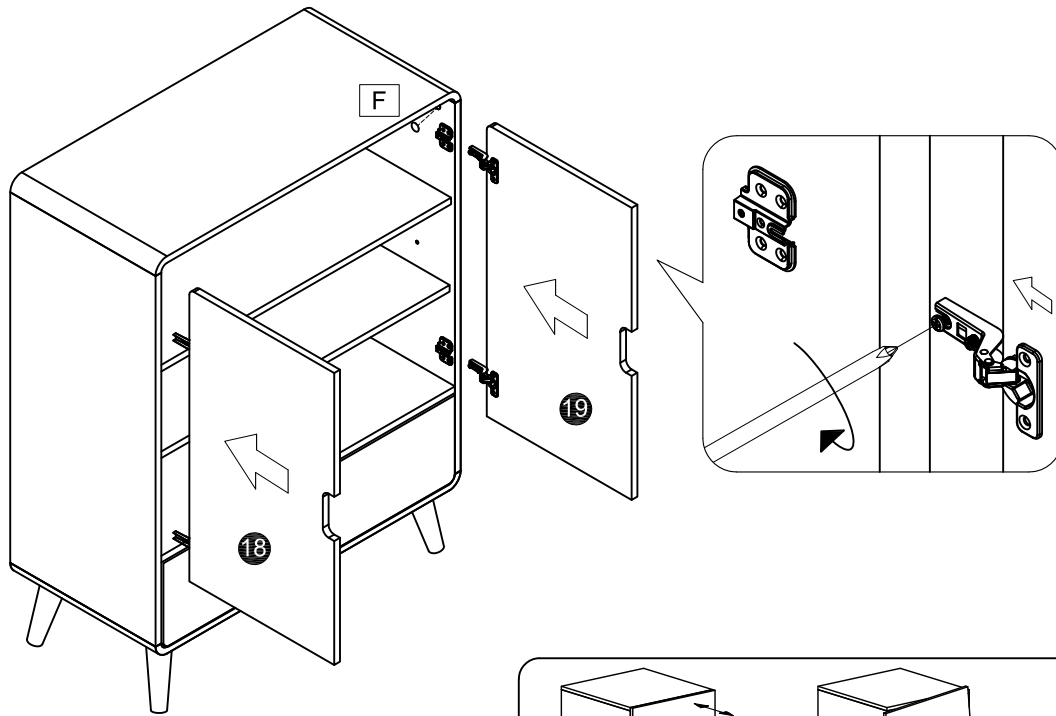
6




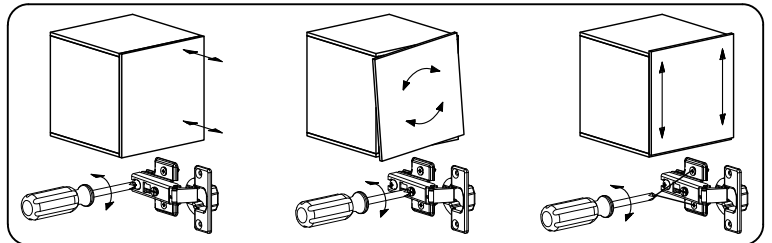
7



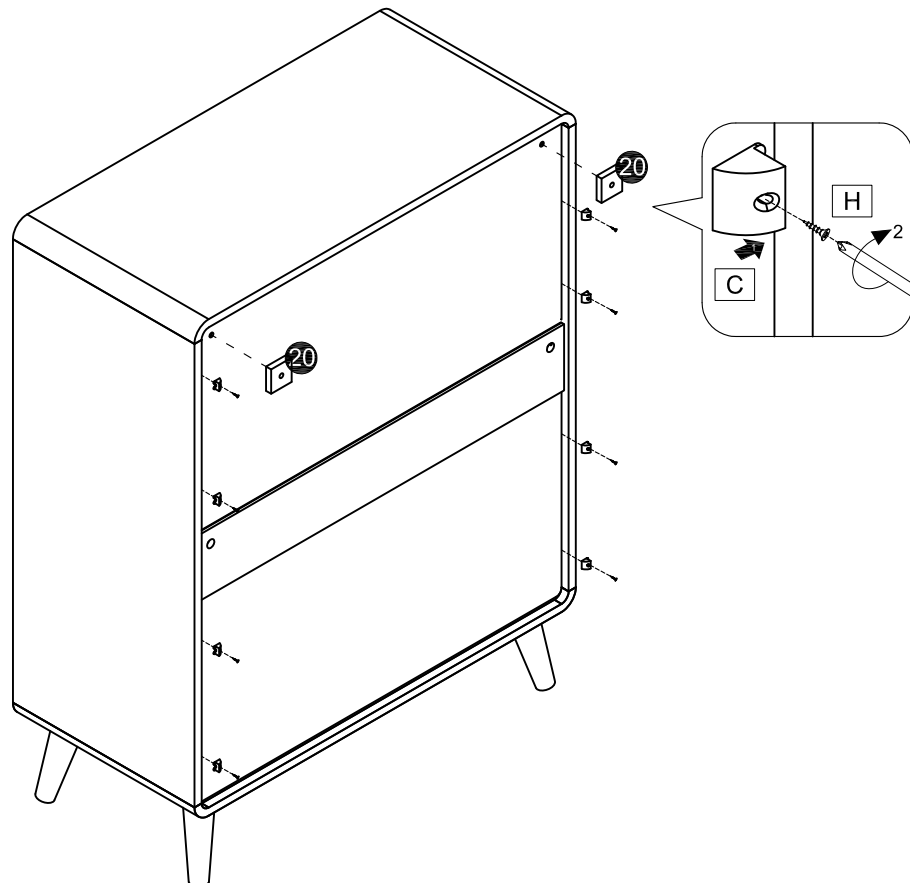
8

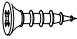



F	x 8
	
<p>ø20mm</p>	

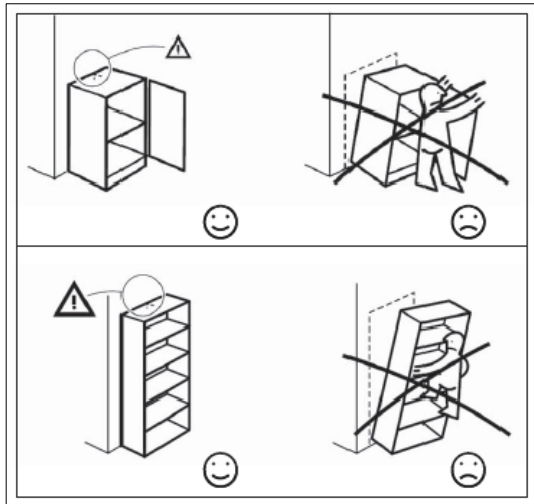
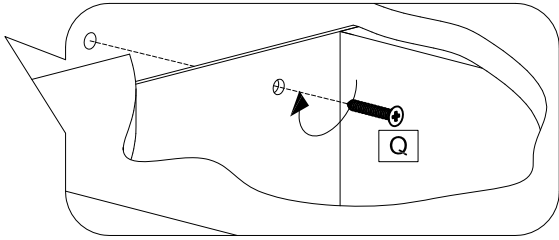
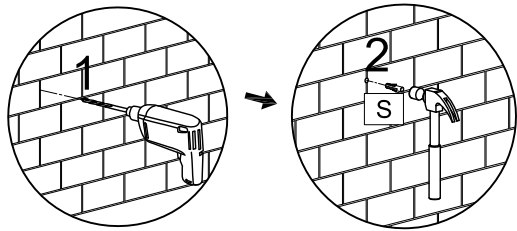
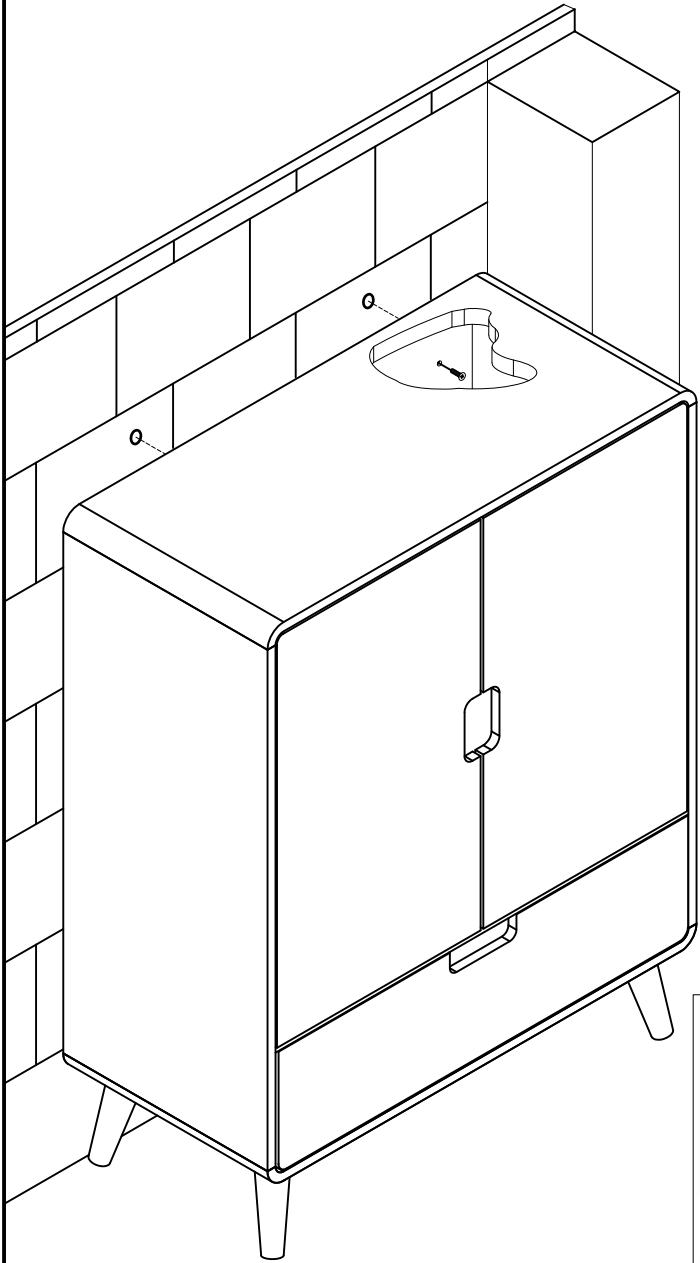


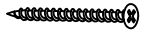
9



H	x 8
	
<p>M3x12mm</p>	

C	x 8
	



Q	x 2
	
M4x35mm	
S	x 2
